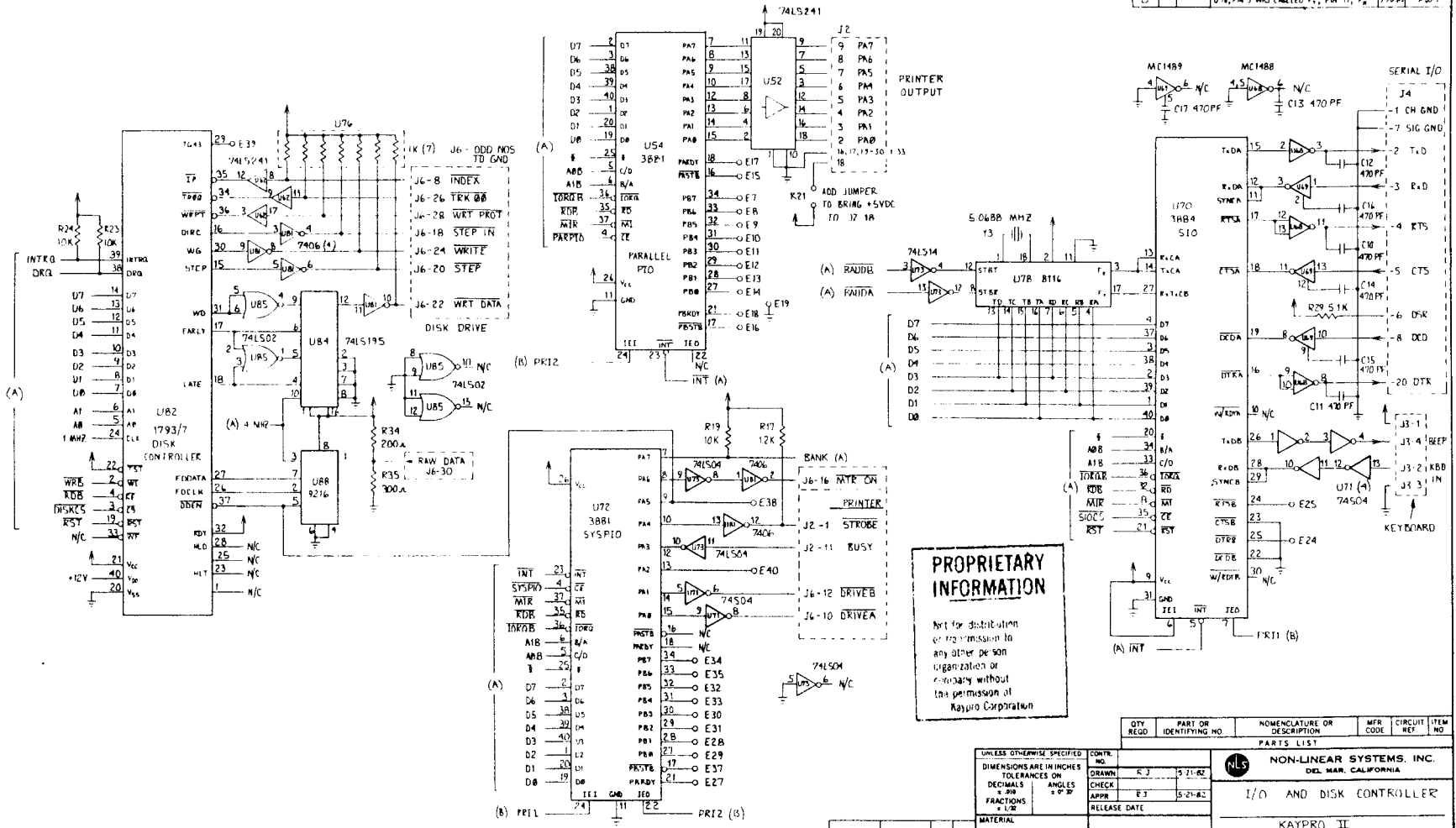


6-6.2

REVISIONS					
ZONE	LTR	EFFECT	DESCRIPTION	DATE	APPROVED
B			REWORKING WAS SH 2012Z (E. 1422)	1-5-83	A. W. F.
C			UBS PIN 4 AND NO DOUBLE. U70 PIN 55 WAS OFFID. ADDED GND INFO ON J1, J4	12-7-83	E. W. J.
L			U76 PIN 5 WAS LABELED F.; PIN 17, F <sub>6</sub>	1-20-84	E. W. J.



**PROPRIETARY INFORMATION**

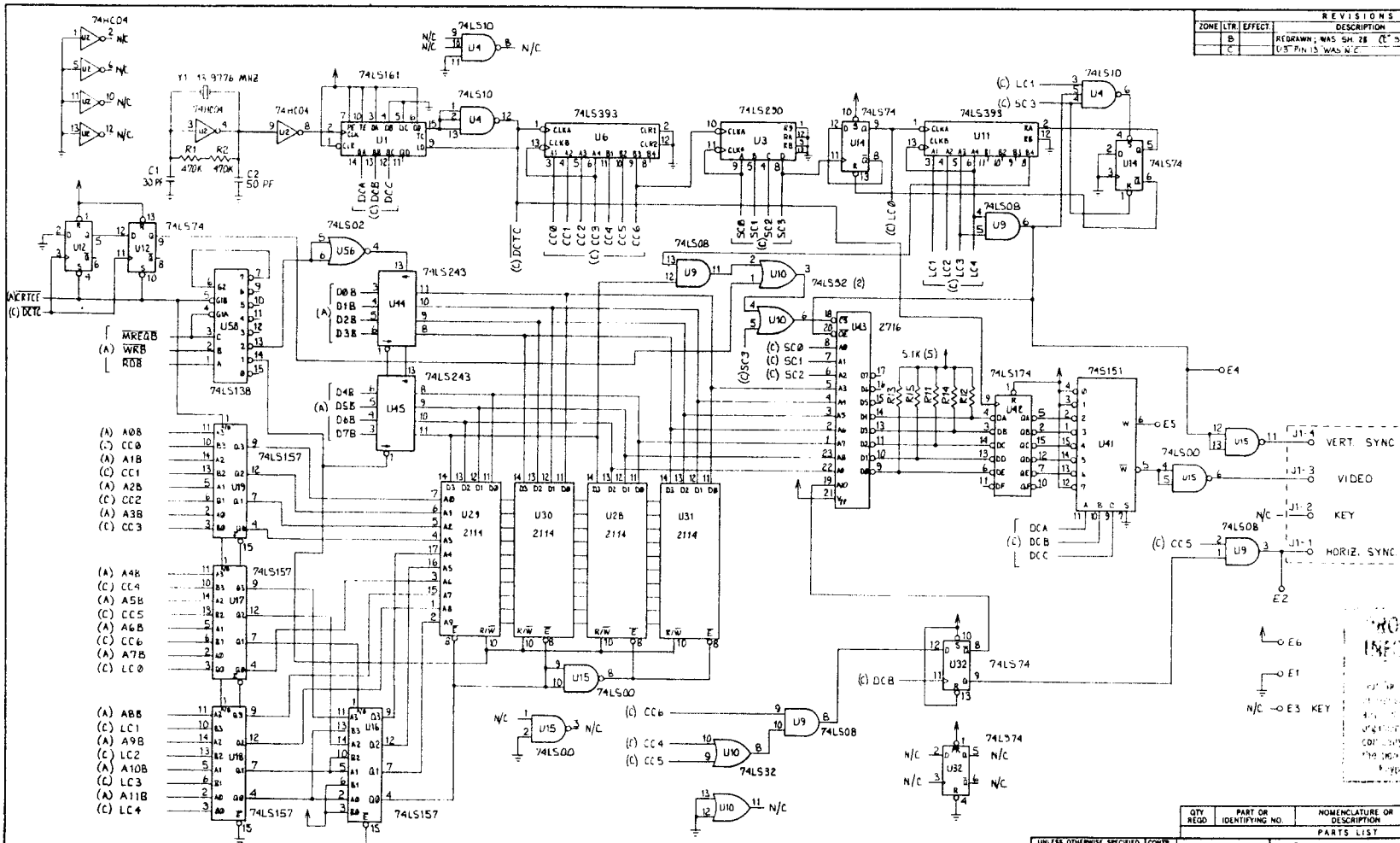
Not for distribution or transmission to any other person, organization or company without the permission of Kaypro Corporation.

QTY	REGD	PART OR IDENTIFYING NO	NOMENCLATURE OR DESCRIPTION	MFR CODE	CIRCUIT REF.	ITEM NO
PARTS LIST						
NON-LINEAR SYSTEMS, INC. DEL MAR, CALIFORNIA						
I/O AND DISK CONTROLLER						
KAYPRO II						
SIZE	COORDINATE NO	D 03626		81-111		
SCALE	WEIGHT			SHEET 2 B		

APPLICATION	FINAL ASSY.	FINAL ASSY.	FINAL ASSY.

UNLESS OTHERWISE SPECIFIED  
DIMENSIONS ARE IN INCHES  
TOLERANCES ON  
DECIMALS ANGLES  
FRACTIONS

CONTR. NO.  
DRAWN  
CHECK  
APPR  
RELEASE DATE



REVISIONS			
ZONE	LTR	EFFECT	DATE APPROVED
B		RE-DRAWN WAS SH 28 (E SHEET)	11-8-81 R-3
C		U3 PIN 15 WAS N/C	5-10-82 P-1

- (A) A0B
- (C) C0
- (A) A1B
- (C) C1
- (A) A2B
- (C) C2
- (A) A3B
- (C) C3
- 
- (A) A4B
- (C) C4
- (A) A5B
- (C) C5
- (A) A6B
- (C) C6
- (A) A7B
- (C) C0
- 
- (A) A8B
- (C) C1
- (A) A9B
- (C) C2
- (A) A10B
- (C) C3
- (A) A11B
- (C) C4

**PROPRIETARY**  
INFORMATION  
NOT TO BE DISCLOSED  
WITHOUT WRITTEN  
CONSENT OF  
NON-LINEAR SYSTEMS, INC.

QTY	PART OR IDENTIFYING NO.	NOMENCLATURE OR DESCRIPTION	MFR CODE	CIRCUIT REF.	ITEM NO.
PARTS LIST					
UNLESS OTHERWISE SPECIFIED: CONTN. NO. _____					
DIMENSIONS ARE IN INCHES TOLERANCES ON _____					
DECIMALS ± 0.00 ANGLES ± 0° 00' 00" _____					
FRACTIONS ± 0.01 _____					
MATERIAL _____					
NON-LINEAR SYSTEMS, INC. DEL. MAR., CALIFORNIA					
CRT CONTROL					
KAYPRO II					
SIZE CODE IDENT. NO.		81-111			
D 03626					
SCALE	WEIGHT	SHEET 2 C			

NEXT ASSY.	FINAL ASSY.	NEXT FINAL ASSY.
APPLICATION	QTY.	