

## Hardware Maintenance Manual

Types 8095, 8098, 8141 8142, 8143

Types 8144, 8145, 8146, 8171, 8172

Types 8173, 8420, 8421, 8422, 8423

Types 8424, 8425, 8427



## Hardware Maintenance Manual

Types 8095, 8098, 8141 8142, 8143

Types 8144, 8145, 8146, 8171, 8172

Types 8173, 8420, 8421, 8422, 8423

Types 8424, 8425, 8427

**Note:** Before using this information and the product it supports, be sure to read the information under “Notices,” on page 343.

**Eighth Edition (July 2006)**

**© Copyright Lenovo 2005, 2006.**

**Portions © Copyright International Business Machines Corporation 2005.**

**All rights reserved.**

U.S. GOVERNMENT USERS – RESTRICTED RIGHTS: Our products and/or services are provided with RESTRICTED RIGHTS. Use, duplication or disclosure by the Government is subject to the GSA ADP Schedule contract with Lenovo Group Limited, if any, or the standard terms of this commercial license, or if the agency is unable to accept this Program under these terms, then we provide this Program under the provisions set forth in Commercial Computer Software–Restricted Rights at FAR 52.227-19, when applicable, or under Rights in Data-General, FAR 52.227.14 (Alternate III).

---

# Contents

## Chapter 1. About this manual . . . . . 1

Important Safety Information . . . . .	1
Strategy for replacing FRUs for CTO, CMV, and GAV products. . . . .	2
Product definition . . . . .	2
FRU Identification for CTO, CMV, and GAV products. . . . .	2
Important information about replacing RoHS compliant FRUs . . . . .	3

## Chapter 2. Safety information . . . . . 5

General safety . . . . .	5
Electrical safety . . . . .	5
Safety inspection guide . . . . .	7
Handling electrostatic discharge-sensitive devices . . . . .	8
Grounding requirements . . . . .	8
Safety notices (multi-lingual translations). . . . .	9

## Chapter 3. General information . . . . . 41

The Access IBM program . . . . .	41
Additional information resources . . . . .	41
Physical specifications . . . . .	41
Types 8095, 8096, 8141, 8142, 8145, 8420, and 8421	42
Types 8097, 8143, 8144, 8146, 8422, 8423 and 8427	43
Types 8098, 8171, 8172, 8173, 8424, and 8425 . . . . .	44

## Chapter 4. General Checkout . . . . . 45

Problem determination tips . . . . .	46
--------------------------------------	----

## Chapter 5. Diagnostics using PC-Doctor for DOS . . . . . 49

Starting PC-Doctor from the Rescue and Recovery workspace. . . . .	49
Starting PC-Doctor from a diagnostic diskette or CD-ROM . . . . .	50
Diagnostics program download. . . . .	50
Navigating through the diagnostics programs . . . . .	50
Running diagnostics tests. . . . .	50
Test selection . . . . .	51
Test results . . . . .	51
Fixed disk advanced test (FDAT) . . . . .	51
Quick and Full erase - hard drive . . . . .	53
Viewing the test log . . . . .	54

## Chapter 6. Using the Setup Utility . . . . . 55

Starting the Setup Utility program. . . . .	55
Viewing and changing settings . . . . .	55
Exiting from the Setup Utility program . . . . .	55
Using passwords . . . . .	55
Password considerations . . . . .	56
User Password . . . . .	56
Administrator Password . . . . .	56
IDE Drive User Password . . . . .	56
IDE Drive Master Password . . . . .	56

Setting, changing, and deleting a password. . . . .	57
Using Security Profile by Device . . . . .	57
Selecting a startup device. . . . .	58
Selecting a temporary startup device . . . . .	58
Changing the startup device sequence . . . . .	58
Advanced settings . . . . .	58

## Chapter 7. Symptom-to-FRU Index . . . . . 59

Hard disk drive boot error . . . . .	59
Power Supply Errors . . . . .	59
Diagnostic error codes. . . . .	61
Beep symptoms . . . . .	82
No-beep symptoms. . . . .	84
POST error codes . . . . .	85
Miscellaneous error messages . . . . .	88
Undetermined problems . . . . .	90

## Chapter 8. Replacing FRUs (Types 8095, 8141, 8142, 8145, 8420, and 8421) 91

Locating controls and connectors on the front of the computer . . . . .	91
Locating connectors on the rear of the computer . . . . .	92
Removing the cover . . . . .	92
Locating components . . . . .	94
Identifying parts on the system board . . . . .	95
Removing and replacing memory . . . . .	96
Removing and replacing a PCI adapter . . . . .	97
Removing and replacing the battery . . . . .	98
Removing and replacing the power supply. . . . .	99
Removing and replacing the system board . . . . .	101
Removing and replacing the microprocessor . . . . .	103
Removing and replacing the hard disk drive . . . . .	109
Removing and replacing the optical drive . . . . .	110
Removing and replacing the diskette drive . . . . .	111
Removing and replacing the fan assembly. . . . .	112
Closing the cover and connecting cables . . . . .	113

## Chapter 9. Replacing FRUs (Types 8143, 8144, 8146, 8422, 8423, and 8427) . . . . . 115

Locating controls and connectors on the front of the computer . . . . .	115
Locating connectors on the rear of the computer . . . . .	116
Removing the cover . . . . .	116
Locating components . . . . .	117
Identifying parts on the system board . . . . .	118
Removing and replacing memory. . . . .	119
Removing and replacing a PCI adapter. . . . .	120
Removing and replacing the battery. . . . .	121
Removing and replacing the power supply . . . . .	121
Removing and replacing the system board . . . . .	124
Removing and replacing the microprocessor . . . . .	126
Removing and replacing the hard disk drive . . . . .	131
Removing and replacing the optical drive . . . . .	132

Removing and replacing the diskette drive . . . . .	133
Removing and replacing the fan assembly . . . . .	134
Replacing the cover and connecting the cables . . . . .	135

**Chapter 10. Replacing FRUs (Types 8098, 8171, 8172, 8173, 8424, and 8425) . . . . . 137**

Locating controls and connectors on the front of the computer . . . . .	137
Locating connectors on the rear of the computer . . . . .	138
Opening the cover . . . . .	138
Locating components . . . . .	139
Identifying parts on the system board . . . . .	140
Removing and replacing memory . . . . .	141
Replacing a PCI adapter . . . . .	142
Removing and replacing the battery . . . . .	143
Removing and replacing the power supply . . . . .	143
Removing and replacing the system board . . . . .	146
Removing and replacing the microprocessor . . . . .	147
Removing and replacing the hard disk drive . . . . .	152
Removing and replacing the optical drive . . . . .	153
Removing and replacing the diskette drive . . . . .	154
Removing and replacing the fan assembly . . . . .	154
Removing and replacing the internal speaker . . . . .	157
Removing and replacing the power button and LED assembly . . . . .	157
Closing the cover and connecting cables . . . . .	159

**Chapter 11. FRU lists . . . . . 161**

Machine Type 8095 . . . . .	161
Machine Type 8098 . . . . .	167
Machine Type 8141 . . . . .	172
Machine Type 8142 . . . . .	187
Machine Type 8143 . . . . .	198
Machine Type 8144 . . . . .	214
Machine Type 8145 . . . . .	224
Machine Type 8146 . . . . .	231

Machine Type 8171 . . . . .	238
Machine Type 8172 . . . . .	256
Machine Type 8173 . . . . .	265
Machine Type 8420 . . . . .	272
Machine Type 8421 . . . . .	280
Machine Type 8422 . . . . .	287
Machine Type 8423 . . . . .	298
Machine Type 8424 . . . . .	310
Machine Type 8425 . . . . .	319
Machine Type 8427 . . . . .	328

**Chapter 12. Additional Service Information . . . . . 337**

Security features . . . . .	337
Hardware controlled Passwords . . . . .	337
Operating system password . . . . .	337
Vital product data . . . . .	337
Management Information Format (MIF) . . . . .	337
BIOS levels . . . . .	338
Flash update procedures . . . . .	338
Updating (flashing) BIOS from a diskette or CD-ROM . . . . .	338
Updating (flashing) BIOS from your operating system . . . . .	338
Recovering from a POST/BIOS update failure . . . . .	339
Power management . . . . .	340
Automatic configuration and power interface (ACPI) BIOS . . . . .	340
Automatic Power-On features . . . . .	340
Recovering software using the Rescue and Recovery program . . . . .	341
Starting the Rescue and Recovery workspace . . . . .	341

**Appendix. Notices . . . . . 343**

Television output notice . . . . .	344
Trademarks . . . . .	344

---

## Chapter 1. About this manual

This manual contains service and reference information for ThinkCentre® computers listed on the cover. It is intended only for trained servicers who are familiar with Lenovo computer products.

Before servicing a Lenovo product, be sure to read the Safety Information. See Chapter 2, "Safety information," on page 5.

The Symptom-to-FRU Index and Additional Service Information chapters are not specific to any machine type and are applicable to all ThinkCentre computers.

This manual includes a complete FRU part number listing for each machine type and model listed on the cover. If you have internet access, FRU part numbers are also available at:

<http://www.lenovo.com/think/support>

---

### Important Safety Information

Be sure to read all caution and danger statements in this book before performing any of the instructions.

Veillez lire toutes les consignes de type DANGER et ATTENTION du présent document avant d'exécuter les instructions.

Lesen Sie unbedingt alle Hinweise vom Typ "ACHTUNG" oder "VORSICHT" in dieser Dokumentation, bevor Sie irgendwelche Vorgänge durchführen

Leggere le istruzioni introdotte da ATTENZIONE e PERICOLO presenti nel manuale prima di eseguire una qualsiasi delle istruzioni

Certifique-se de ler todas as instruções de cuidado e perigo neste manual antes de executar qualquer uma das instruções

Es importante que lea todas las declaraciones de precaución y de peligro de este manual antes de seguir las instrucciones.

. تأكد من قراءة كل التحذيرات الموجودة في هذا الكتاب قبل اتباع هذه التعليمات .

执行任何说明之前，请确保已阅读本书中的所有警告和危险声明。

執行任何指示前，請確實閱讀本書中的所有警告及危險聲明。

.ודאו שקראתם את כל הודעות האזהרה והסכנה במסמך זה לפני שתבצעו פעולה כלשהי.

본 사용 설명서에 기재된 내용을 실행하기 전에 모든 주의사항 및 위험사항을 숙지하십시오.

---

## Strategy for replacing FRUs for CTO, CMV, and GAV products

### Product definition

#### Dynamic Configure To Order (CTO)

This provides the ability for a customer to configure a Lenovo solution from an eSite, and have this configuration sent to fulfillment, where it is built and shipped directly to the customer. The machine label, PC Entitlement Warehouse (PEW), eSupport, and the HMM will include these products as the 4-digit machine type (MT) and 3-digit model, where model = 'CTO' (Example: 8129-CTO).

#### Custom Model Variant (CMV)

This is a unique configuration that has been negotiated between Lenovo and the customer. A unique 4-digit MT and 3-digit model is provided to the customer to place orders (Example: 8129-W15). A CMV is a special bid offering. Therefore, it is NOT generally announced.

- The machine type model (MTM) portion of the machine label is the 4-digit MT and 3-digit model, where model = 'CTO' (Example: 8129-CTO). The PRODUCT ID portion of the machine label is the 4-digit MT and 3-digit CMV model (Example: 8129-W15).
- The PEW record is the 4-digit MT and 3-digit model, where model = 'CTO' (Example: 8129-CTO).
- eSupport will show both the CTO and CMV machine type models (Example: 8129-CTO and 8129-W15 will be found on the eSupport site.)
- The HMM will have the 4-digit MT and 3-digit CTO model only (Example: 8129-CTO). Again, CMVs are custom models and are not found in the HMM.

#### General Announce Variant (GAV)

This is a standard model (fixed configuration). GAVs are announced and offered to all customers. The MTM portion of the machine label is a 4-digit MT and 3-digit model, where model = a "fixed model number", not 'CTO' (Example: 8129-F1U). Also, PEW, eSupport, and the HMM will list these products under the same fixed model number.

### FRU Identification for CTO, CMV, and GAV products

There are three information resources to identify which FRUs are used to support CTO, CMV, and GAV products. These sources are PEW, eSupport, and the HMM.

#### Using PEW

- PEW is the primary source for identifying FRU part numbers and FRU descriptions for the key commodities for CTO, CMV and GAV products at a MT - serial number level. An example of key commodities are hard disk drives, system boards, microprocessors, Liquid Crystal Displays (LCDs), and memory.
- Remember, All CTO and CMV products are loaded in PEW under the 4-digit MT and 3-digit model, where model = 'CTO' (Example: 8129-CTO). GAVs are loaded in PEW under the 4-digit MT and 3-digit model, where model = a "fixed model number", not 'CTO' (Example: 8129-F1U).
- PEW can be accessed as follows:
  1. Point your browser to <http://w3-3.ibm.com/pc/entitle>.
  2. Under PEW Home, click **Machine Lookup**.
  3. Under Machine Lookup, click **Warranty Information**.



4. Under Warranty Information, type the MT and Serial number and click **Submit**.

The list of key commodities is returned in the PEW record under Component Information.

- **Business Partners** using Eclaim will access PEW when performing Entitlement Lookup. Business Partners will enter Loc ID, MT and Serial, and the key commodities will be returned in the Eclaim record under System Details.
- Authorized Lenovo Business Partners can access Eclaim at the following Web site:  
<http://wca.eclaim.com>

## Using eSupport

### For Key Commodities (Examples - hard disk drive, system board, microprocessor, LCD, and memory)

- eSupport can be used to view the list of key commodities built in a particular machine serial (this is the same record found in PEW).
- eSupport can be accessed at the following Web site:  
<http://www.lenovo.com/think/support>
- To view the key commodities:
  1. Click **Parts information**.
  2. Under Parts information, click **Parts lookup**.
  3. Under Parts lookup, type the model type and serial number; then click **Continue**.

The key commodities are returned in the eSupport record under Parts shipped with your system.

### For the remaining FRUs (the complete list of FRUs at the MT Model level)

- eSupport can be used to view the complete list of FRUs for a machine type and model.
- To view the complete list of FRUs for a machine type:
  1. Point your browser to <http://www.lenovo.com/think/support>.
  2. Type the machine type (Example: 8129) in the Use Quick Path field; then click **Go**.
  3. Under Browse by product, click **Continue**.
  4. Under Important information, click **Parts information**.
  5. In the Refine results field, select **Service parts**; then click the entry for your machine type.

The list of service parts by description, with applicable machine type model and FRU part number is displayed.

## Using the HMM

- Use the HMM as a back-up to PEW and eSupport to view the complete list of FRU part numbers at the MT Model level.

---

## Important information about replacing RoHS compliant FRUs

RoHS, The Restriction of Hazardous Substances in Electrical and Electronic Equipment Directive (2002/95/EC) is a European Union legal requirement affecting the global electronics industry. RoHS requirements must be implemented on Lenovo products placed on the market after June 2006. Products on the market before June 2006 are not required to have RoHS compliant parts.

**So, if the parts are not compliant originally, replacement parts can also be noncompliant, but in all cases, if the parts are compliant, the replacement parts must also be compliant.**

Lenovo plans to transition to RoHS compliance well before the implementation date and expects its suppliers to be ready to support Lenovo's requirements and schedule. Products sold in 2005, will contain some RoHS compliant FRUs. The following statement pertains to these products and any product Lenovo produces containing RoHS compliant parts.

RoHS compliant ThinkCentre parts have unique FRU part numbers. Before or after June, 2006, failed RoHS compliant parts must always be replaced using RoHS compliant FRUs, so only the FRUs identified as compliant in the system HMM or direct substitutions for those FRUs can be used.

Products marketed before June 2006		Products marketed after June 2006	
Current or original part	Replacement FRU	Current or original part	Replacement FRU
Non-RoHS	Can be Non-RoHS	Must be RoHS	Must be RoHS
Non-RoHS	Can be RoHS		
Non-RoHS	Can sub to RoHS		
RoHS	Must be RoHS		

**Note:** A direct substitution is a part with a different FRU part number that is automatically shipped by the distribution center at the time of order.

Related Web URLs are:

- Lenovo information for Suppliers website:  
<http://www-03.ibm.com/procurement/proweb.nsf/ContentDocsByTitle/United+States~Information+for+suppliers>
- RoHS Directive:  
[http://europa.eu.int/eur-lex/pri/en/oj/dat/2003/l\\_037/l\\_03720030213en00190023.pdf](http://europa.eu.int/eur-lex/pri/en/oj/dat/2003/l_037/l_03720030213en00190023.pdf)
- California Senate Bills 20, 50:  
<http://www.ciwmb.ca.gov/HHW/Events/AnnualConf/2004/presentation/MPaparian.pdf>

---

## Chapter 2. Safety information

This chapter contains the safety information that you need to be familiar with before servicing a computer.

---

### General safety

Follow these rules to ensure general safety:

- Observe good housekeeping in the area of the machines during and after maintenance.
- When lifting any heavy object:
  1. Ensure you can stand safely without slipping.
  2. Distribute the weight of the object equally between your feet.
  3. Use a slow lifting force. Never move suddenly or twist when you attempt to lift.
  4. Lift by standing or by pushing up with your leg muscles; this action removes the strain from the muscles in your back. *Do not attempt to lift any objects that weigh more than 16 kg (35 lb) or objects that you think are too heavy for you.*
- Do not perform any action that causes hazards to the customer, or that makes the equipment unsafe.
- Before you start the machine, ensure that other service representatives and the customer's personnel are not in a hazardous position.
- Place removed covers and other parts in a safe place, away from all personnel, while you are servicing the machine.
- Keep your tool case away from walk areas so that other people will not trip over it.
- Do not wear loose clothing that can be trapped in the moving parts of a machine. Ensure that your sleeves are fastened or rolled up above your elbows. If your hair is long, fasten it.
- Insert the ends of your necktie or scarf inside clothing or fasten it with a nonconductive clip, approximately 8 centimeters (3 inches) from the end.
- Do not wear jewelry, chains, metal-frame eyeglasses, or metal fasteners for your clothing.  
**Remember:** Metal objects are good electrical conductors.
- Wear safety glasses when you are: hammering, drilling soldering, cutting wire, attaching springs, using solvents, or working in any other conditions that might be hazardous to your eyes.
- After service, reinstall all safety shields, guards, labels, and ground wires. Replace any safety device that is worn or defective.
- Reinstall all covers correctly before returning the machine to the customer.

---

### Electrical safety



**CAUTION:**

Electrical current from power, telephone, and communication cables can be hazardous. To avoid personal injury or equipment damage, disconnect the attached power cords, telecommunication systems, networks, and modems before you open the server/workstation covers, unless instructed otherwise in the installation and configuration procedures.

Observe the following rules when working on electrical equipment.

**Important:** Use only approved tools and test equipment. Some hand tools have handles covered with a soft material that does not insulate you when working with live electrical currents.

Many customers have, near their equipment, rubber floor mats that contain small conductive fibers to decrease electrostatic discharges. Do not use this type of mat to protect yourself from electrical shock.

- Find the room emergency power-off (EPO) switch, disconnecting switch, or electrical outlet. If an electrical accident occurs, you can then operate the switch or unplug the power cord quickly.
- Do not work alone under hazardous conditions or near equipment that has hazardous voltages.
- Disconnect all power before:
  - Performing a mechanical inspection
  - Working near power supplies
  - Removing or installing main units
- Before you start to work on the machine, unplug the power cord. If you cannot unplug it, ask the customer to power-off the wall box that supplies power to the machine and to lock the wall box in the off position.
- If you need to work on a machine that has exposed electrical circuits, observe the following precautions:
  - Ensure that another person, familiar with the power-off controls, is near you.  
**Remember:** Another person must be there to switch off the power, if necessary.
  - Use only one hand when working with powered-on electrical equipment; keep the other hand in your pocket or behind your back.  
**Remember:** There must be a complete circuit to cause electrical shock. By observing the above rule, you may prevent a current from passing through your body.
  - When using testers, set the controls correctly and use the approved probe leads and accessories for that tester.
  - Stand on suitable rubber mats (obtained locally, if necessary) to insulate you from grounds such as metal floor strips and machine frames.

Observe the special safety precautions when you work with very high voltages; these instructions are in the safety sections of maintenance information. Use extreme care when measuring high voltages.

- Regularly inspect and maintain your electrical hand tools for safe operational condition.
- Do not use worn or broken tools and testers.
- *Never assume* that power has been disconnected from a circuit. First, *check* that it has been powered-off.

- Always look carefully for possible hazards in your work area. Examples of these hazards are moist floors, nongrounded power extension cables, power surges, and missing safety grounds.
- Do not touch live electrical circuits with the reflective surface of a plastic dental mirror. The surface is conductive; such touching can cause personal injury and machine damage.
- Do not service the following parts with the power on when they are removed from their normal operating places in a machine:
  - Power supply units
  - Pumps
  - Blowers and fans
  - Motor generators
 and similar units. (This practice ensures correct grounding of the units.)
- If an electrical accident occurs:
  - Use caution; do not become a victim yourself.
  - Switch off power.
  - Send another person to get medical aid.

---

## Safety inspection guide

The intent of this inspection guide is to assist you in identifying potentially unsafe conditions on these products. Each machine, as it was designed and built, had required safety items installed to protect users and service personnel from injury. This guide addresses only those items. However, good judgment should be used to identify potential safety hazards due to attachment of features or options not covered by this inspection guide.

If any unsafe conditions are present, you must determine how serious the apparent hazard could be and whether you can continue without first correcting the problem.

Consider these conditions and the safety hazards they present:

- Electrical hazards, especially primary power (primary voltage on the frame can cause serious or fatal electrical shock).
- Explosive hazards, such as a damaged CRT face or bulging capacitor
- Mechanical hazards, such as loose or missing hardware

The guide consists of a series of steps presented in a checklist. Begin the checks with the power off, and the power cord disconnected.

Checklist:

1. Check exterior covers for damage (loose, broken, or sharp edges).
2. Power-off the computer. Disconnect the power cord.
3. Check the power cord for:
  - a. A third-wire ground connector in good condition. Use a meter to measure third-wire ground continuity for 0.1 ohm or less between the external ground pin and frame ground.
  - b. The power cord should be the appropriate type as specified in the parts listings.
  - c. Insulation must not be frayed or worn.
4. Remove the cover.

5. Check for any obvious alterations. Use good judgment as to the safety of any alterations.
6. Check inside the unit for any obvious unsafe conditions, such as metal filings, contamination, water or other liquids, or signs of fire or smoke damage.
7. Check for worn, frayed, or pinched cables.
8. Check that the power-supply cover fasteners (screws or rivets) have not been removed or tampered with.

---

## Handling electrostatic discharge-sensitive devices

Any computer part containing transistors or integrated circuits (ICs) should be considered sensitive to electrostatic discharge (ESD). ESD damage can occur when there is a difference in charge between objects. Protect against ESD damage by equalizing the charge so that the machine, the part, the work mat, and the person handling the part are all at the same charge.

### Notes:

1. Use product-specific ESD procedures when they exceed the requirements noted here.
2. Make sure that the ESD protective devices you use have been certified (ISO 9000) as fully effective.

When handling ESD-sensitive parts:

- Keep the parts in protective packages until they are inserted into the product.
- Avoid contact with other people.
- Wear a grounded wrist strap against your skin to eliminate static on your body.
- Prevent the part from touching your clothing. Most clothing is insulative and retains a charge even when you are wearing a wrist strap.
- Use the black side of a grounded work mat to provide a static-free work surface. The mat is especially useful when handling ESD-sensitive devices.
- Select a grounding system, such as those listed below, to provide protection that meets the specific service requirement.

**Note:** The use of a grounding system is desirable but not required to protect against ESD damage.

- Attach the ESD ground clip to any frame ground, ground braid, or green-wire ground.
- Use an ESD common ground or reference point when working on a double-insulated or battery-operated system. You can use coax or connector-outside shells on these systems.
- Use the round ground-prong of the ac plug on ac-operated computers.

---

## Grounding requirements

Electrical grounding of the computer is required for operator safety and correct system function. Proper grounding of the electrical outlet can be verified by a certified electrician.

---

## Safety notices (multi-lingual translations)

The caution and danger safety notices in this section are provided in the following languages:

- English
- Arabic
- Brazilian/Portuguese
- Chinese (simplified)
- Chinese (traditional)
- French
- German
- Hebrew
- Italian
- Korean
- Spanish



### DANGER

Electrical current from power, telephone and communication cables is hazardous.

To avoid a shock hazard:

- **Do not connect or disconnect any cables or perform installation, maintenance, or reconfiguration of this product during an electrical storm.**
- **Connect all power cords to a properly wired and grounded electrical outlet.**
- **Connect to properly wired outlets any equipment that will be attached to this product.**
- **When possible, use one hand only to connect or disconnect signal cables.**
- **Never turn on any equipment when there is evidence of fire, water, or structural damage.**
- **Disconnect the attached power cords, telecommunications systems, networks, and modems before you open the device covers, unless instructed otherwise in the installation and configuration procedures.**
- **Connect and disconnect cables as described in the following table when installing, moving, or opening covers on this product or attached devices.**

To Connect	To Disconnect
<ol style="list-style-type: none"><li>1. Turn everything OFF.</li><li>2. First, attach all cables to devices.</li><li>3. Attach signal cables to connectors.</li><li>4. Attach power cords to outlet.</li><li>5. Turn device ON.</li></ol>	<ol style="list-style-type: none"><li>1. Turn everything OFF.</li><li>2. First, remove power cords from outlet.</li><li>3. Remove signal cables from connectors.</li><li>4. Remove all cables from devices.</li></ol>



**CAUTION:**

When replacing the lithium battery, use only Part Number 33F8354 or an equivalent type battery recommended by the manufacturer. If your system has a module containing a lithium battery, replace it only with the same module type made by the same manufacturer. The battery contains lithium and can explode if not properly used, handled, or disposed of.

*Do not:*

- Throw or immerse into water
- Heat to more than 100°C (212°F)
- Repair or disassemble

Dispose of the battery as required by local ordinances or regulations.



**CAUTION:**

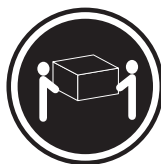
When laser products (such as CD-ROMs, DVD-ROM drives, fiber optic devices, or transmitters) are installed, note the following:

- Do not remove the covers. Removing the covers of the laser product could result in exposure to hazardous laser radiation. There are no serviceable parts inside the device.
- Use of controls or adjustments or performance of procedures other than those specified herein might result in hazardous radiation exposure.



**DANGER:** Some laser products contain an embedded Class 3A or Class 3B laser diode. Note the following:

Laser radiation when open. Do not stare into the beam, do not view directly with optical instruments, and avoid direct exposure to the beam.



≥18 kg (37 lbs)



≥32 kg (70.5 lbs)



≥55 kg (121.2 lbs)

**CAUTION:**

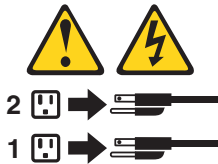
Use safe practices when lifting.





**CAUTION:**

The power control button on the device and the power switch on the power supply do not turn off the electrical current supplied to the device. The device also might have more than one power cord. To remove all electrical current from the device, ensure that all power cords are disconnected from the power source.



**CAUTION:**

Do not place any object weighing more than 82 kg (180 lbs.) on top of rack-mounted devices.





## خطر

التيار الكهربى الموجود بمصدر الطاقة أو أجهزة التليفون أو أسلاك الاتصالات يشكل خطورة.

لتفادي مخاطر الصدمات الكهربائية:

لا تحاول توصيل أو فصل أي أسلاك أو القيام بعمليات تركيب أو صيانة أو إعادة توصيف لهذا المنتج أثناء وجود عاصفة كهربائية.

يجب توصيل كل أسلاك الكهرباء في مخارج كهرباء ذات توصيلات أسلاك وتوصيلات أرضية صحيحة  
يجب توصيل أي جهاز سيتم الحاقه بهذا المنتج في مخارج كهرباء ذات توصيلات أسلاك صحيحة.

وإن أمكن يجب استخدام يد واحدة فقط في توصيل أو فصل أسلاك الإشارة.

لا تحاول تشغيل أي جهاز إذا كان هناك أثر لحرق أو مياه أو تلف بالمكونات

يجب فصل أسلاك الكهرباء وأنظمة الاتصالات وشبكات الاتصال وأجهزة المودم الملحقة قبل فتح أغطية الجهاز، ما لم يتم طلب خلاف ذلك في التعليمات الخاصة بالتركيب والتوصيف.

قم بتوصيل وفصل الأسلاك كما هو موضح في الجدول التالي وذلك عند القيام بعمليات التركيب أو النقل أو فتح أغطية هذا المنتج أو الأجهزة الملحقة.

### للتوصيل:

قم بإيقاف كل شيء.

أولاً، قم بتوصيل كل الأسلاك بالأجهزة.

قم بتوصيل أسلاك الإشارة في لموصلات.

قم بتوصيل أسلاك الكهرباء في المخارج.

قم بتشغيل الجهاز.

### للفصل:

قم بإيقاف كل شيء.

أولاً، قم بفصل كل أسلاك الكهرباء من المخرج.

قم بفصل أسلاك الإشارة من الموصلات.

قم بفصل كل الأسلاك من الأجهزة.



تنبيه :

عند استبدال البطارية الليثيوم، استخدم فقط رقم الجزء الخاص **Part Number 33F8354** أو نوع آخر يكون على نفس مستوى الكفاءة يحدده لك المصنع.  
إذا كان النظام الخاص يستخدم معه بطارية ليثيوم قم باستبدالها بنفس النوع الذي تم صناعته من خلال نفس المصنع. تحتوي البطارية على مادة الليثيوم ويمكن أن تنفجر في حالة عدم استخدامها أو التعامل معها بطريقة صحيحة أو عند التخلص منها بطريقة خطأ.

لا تقم بـ:

- الفاء البطارية أو غمرها في الماء
- تسخينها أعلى من ١٠٠ درجة مئوية و(٢١٢ ° فهرنهايت)
- بتصليحها أو فكها

تخلص من البطارية طبقاً للقانون أو النظام المحلي .



تنبيه :

أثناء تركيب منتجات ليزر (مثل CD-ROMs أو وحدة تشغيل DVD أو أجهزة Fiber Optic أو وحدات الإرسال) يجب مراعاة الآتي:

لا تنزع الأغطية. قد ينتج عن نزع أغطية منتج الليزر انفجار أشعة الليزر شديدة الخطورة.  
لا يوجد أجزاء يمكن تغييرها داخل الجهاز. قد ينتج عن استخدام تحكيمات أو تعديلات أو عمل أي تصرفات أخرى تخالف ما هو محدد هنا إلى انفجار أشعة شديدة الخطورة.



خطر

تحتوي بعض منتجات الليزر على الفئة دايود ليزر مدمج من الفئة **Class 3A** أو **Class 3B**. يجب مراعاة الآتي .

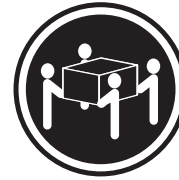
أشعة الليزر عند الفتح. لا تحقق إلى الإشعاع و لا تنظر إليه مباشرة بواسطة أي أجهزة مرئية وتجنب التعرض المباشر للإشعاع .



≥18 kg (37 lbs)



≥32 kg (70.5 lbs)

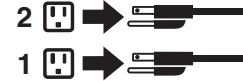


≥55 kg (121.2 lbs)

تنبيه :  
يجب استخدام ممارسات آمنة عند الرفع



تنبيهه :  
لا يقرم زر التحكم في التشغيل الموجود على الجهاز والمفتاح الكهربائي الموجود على لوحة التحكم بإيقاف التيار الكهربائي المار بالجهاز. قد يكون للجهاز أكثر من سلك كهربائي واحد. لايقاف التيار الكهربائي المار بالجهاز، تأكد من فصل جميع أسلاك الكهرباء من مصدر الكهرباء .



تنبيهه :  
لا تضع أي عنصر يزن أكثر من ٨٢ كيلوجرام (١٨٠ رطل) أعلى سطح الأجهزة.





## PERIGO

A corrente elétrica proveniente de cabos de alimentação, de telefone e de comunicações é perigosa.

Para evitar risco de choque elétrico:

- Não conecte nem desconecte nenhum cabo ou execute instalação, manutenção ou reconfiguração deste produto durante uma tempestade com raios.
- Conecte todos os cabos de alimentação a tomadas elétricas corretamente instaladas e aterradas.
- Todo equipamento que for conectado a este produto deve ser conectado a tomadas corretamente instaladas.
- Quando possível, utilize apenas uma das mãos para conectar ou desconectar cabos de sinal.
- Nunca ligue nenhum equipamento quando houver evidência de fogo, água ou danos estruturais.
- Antes de abrir tampas de dispositivos, desconecte cabos de alimentação, sistemas de telecomunicação, redes e modems conectados, a menos que especificado de maneira diferente nos procedimentos de instalação e configuração.
- Conecte e desconecte os cabos conforme descrito na tabela apresentada a seguir ao instalar, mover ou abrir tampas deste produto ou de dispositivos conectados.

Para Conectar:	Para Desconectar:
<ol style="list-style-type: none"><li>1. DESLIGUE Tudo.</li><li>2. Primeiramente, conecte todos os cabos aos dispositivos.</li><li>3. Conecte os cabos de sinal aos conectores.</li><li>4. Conecte os cabos de alimentação às tomadas.</li><li>5. LIGUE os dispositivos.</li></ol>	<ol style="list-style-type: none"><li>1. DESLIGUE Tudo.</li><li>2. Primeiramente, remova os cabos de alimentação das tomadas.</li><li>3. Remova os cabos de sinal dos conectores.</li><li>4. Remova todos os cabos dos dispositivos.</li></ol>



#### **CUIDADO:**

Ao substituir a bateria de lítio, utilize apenas uma bateria com Número de Peça 33F8354 ou um tipo de bateria equivalente recomendado pelo Se o seu sistema possui um módulo com uma bateria de lítio, substitua-o apenas por um módulo do mesmo tipo e do mesmo fabricante. A bateria contém lítio e pode explodir se não for utilizada, manuseada ou descartada de maneira correta.

Não:

- Jogue ou coloque na água
- Aqueça a mais de 100°C (212°F)
- Conserte nem desmonte

Descarte a bateria conforme requerido pelas leis ou regulamentos locais.



#### **PRECAUCIÓN:**

Quando produtos a laser (como unidades de CD-ROMs, unidades de DVD-ROM, dispositivos de fibra ótica ou transmissores) estiverem instalados, observe o seguinte:

- Não remova as tampas. A remoção das tampas de um produto a laser pode resultar em exposição prejudicial à radiação de laser. Não existem peças que podem ser consertadas no interior do dispositivo.
- A utilização de controles ou ajustes ou a execução de procedimentos diferentes dos especificados aqui pode resultar em exposição prejudicial à radiação.

#### **PERIGO**

Alguns produtos a laser contêm diodo de laser integrado da Classe 3A ou da Classe 3B. Observe o seguinte:

Radiação a laser quando aberto. Não olhe diretamente para o feixe a olho nu ou com instrumentos ópticos e evite exposição direta ao feixe.



≥18 kg (37 lbs)



≥32 kg (70.5 lbs)



≥55 kg (121.2 lbs)

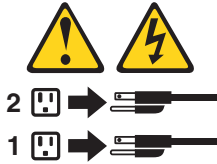
#### **CUIDADO:**

Utilize procedimentos de segurança para levantar equipamentos.



**CUIDADO:**

O botão de controle de alimentação do dispositivo e o botão para ligar/desligar da fonte de alimentação não desligam a corrente elétrica fornecida ao dispositivo. O dispositivo também pode ter mais de um cabo de alimentação. Para remover toda a corrente elétrica do dispositivo, assegure que todos os cabos de alimentação estejam desconectados da fonte de alimentação.



**CUIDADO:**

Não coloque nenhum objeto com mais de 82 kg (180 lbs.) sobre dispositivos montados em rack.





#### 危险

电源、电话和通信电缆中的电流是危险的。

为避免电击危险：

- 请勿在雷电期间连接或断开任何电缆的连接，或者对本产品进行安装、维护或重新配置。
- 将所有电源线连接到正确连线和妥善接地的电源插座。
- 将所有要连接到该产品的设备连接到正确连线的插座。
- 如果可能，请仅使用一只手来连接或断开信号电缆的连接。
- 切勿在有火、水、结构损坏迹象的情况下开启任何设备。
- 在打开设备外盖之前请断开已连接的电源线、远程通信系统、网络和调制解调器，除非在安装和配置过程中另有说明。
- 当安装、移动或打开该产品或连接设备的外盖时，请按照下表所述来连接或断开电缆的连接。

要连接	要断开连接
<ol style="list-style-type: none"><li>1. 切断所有电源。</li><li>2. 首先将所有电缆连接到设备。</li><li>3. 将信号电缆连接到接口。</li><li>4. 将电源线连接到插座。</li><li>5. 开启设备。</li></ol>	<ol style="list-style-type: none"><li>1. 切断所有电源。</li><li>2. 首先从插座上拔出电源线。</li><li>3. 从接口上拔出信号电缆。</li><li>4. 从设备上拔出所有电缆。</li></ol>



#### 警告：

更换锂电池时，请仅使用部件号为 33F8354 的电池或制造商推荐的同类电池。如果您的系统有包含锂电池的模块，请仅使用同一制造商生产的相同模块类型来替换该模块。该电池中含有锂，如果使用、操作或处理不当，可能会发生爆炸。

切勿：

- 投入或浸入水中
- 加热到 100 °C (212 °F) 以上
- 维修或拆卸

请按照当地法令或条例的要求处理电池。





警告：  
安装激光产品（例如 CD-ROM、DVD-ROM 驱动器、光纤设备或发射设备）时，  
请注意以下声明：

- 请勿卸下外盖。卸下激光产品的外盖可能导致遭受激光辐射的危险。该设备内没有可维修的部件。
- 如果不按照此处指定的过程进行控制、调整或操作，则有可能导致遭受辐射的危险。



危险

某些激光产品包含嵌入式 3A 类或 3B 类激光二极管。请注意以下声明：

打开后有激光辐射。请勿注视光束，请勿直接用光学仪器查看，并请避免直接暴露在光束中。



≥18 千克 (37 磅)



≥32 千克 (70.5 磅)



≥55 千克 (121.2 磅)

警告：  
抬起时请采取安全措施。



警告：  
设备上的电源控制按钮和电源上的电源开关不会切断供给该设备的电流。该设备还可能有多条电源线。要切断该设备的所有电流，请确保所有电源线都与电源断开连接。





警告:

切勿在机架安装设备的顶部放置任何重量超过 82 千克（180 磅）的物体。





#### 危險

電源、電話及通訊纜線上的電流都具有危險性。

若要避免觸電危險：

- 請勿在雷雨期間，連接或拔除纜線、執行安裝、維護或重新配置本產品。
- 將所有電源線連接到正確配線及接地的電源插座。
- 任何與本產品連接的設備都必須連接到配線妥當的電源插座。
- 請盡可能用單手連接或拔除信號線。
- 發生火災、水災或結構損害時，絕對不要開啟任何設備。
- 除非在安裝及配置程序中另有指示，否則在開啟裝置機蓋之前，請拔掉連接的電源線、電信系統、網路及數據機。
- 安裝、移動或開啟本產品或附屬裝置的機蓋時，請遵循下列說明連接及拔掉纜線。

連線	切斷連線
<ol style="list-style-type: none"><li>1. 關閉所有開關。</li><li>2. 首先，連接所有接線到裝置。</li><li>3. 連接信號線到接頭。</li><li>4. 連接電源線到插座。</li><li>5. 開啟裝置。</li></ol>	<ol style="list-style-type: none"><li>1. 關閉所有開關。</li><li>2. 首先，拔掉插座上的電源線。</li><li>3. 拔掉接頭上的信號線。</li><li>4. 拔掉裝置上所有接線。</li></ol>



#### 警告：

更換鋰電池時，請僅使用產品編號 **33F8354** 或製造商所建議的同類型電池。  
如果您的系統中含有鋰電池模組，請僅使用同一家製造商所生產的相同模組進行更換。  
如果未以正確方式使用、處理或棄置含鋰的電池，會有爆炸的危險。  
請勿：

- 沾溼或浸入水中
  - 置於 **100C (212F)** 以上的高溫環境
  - 修理或拆開
- 請按照各地區有關廢棄電池的法令和規定處理舊電池。



#### 警告：

- 請勿移除機蓋。移除雷射產品的機蓋，可能會導致暴露在危險的雷射輻射中。裝置內部並無可自行維修的零件。
- 利用或執行非本文中所指定的控制、調整及執行程序，可能會導致危險的輻射外洩。



#### 危險

部分雷射產品含有內嵌式 **Class 3A** 或 **Class 3B** 雷射二極體。請注意下列事項：  
在開啟光碟機時，會發生雷射輻射。請勿直視光束或用光學儀器直接檢視，並避免直接暴露在光束中。



≥ 18 公斤 (37 磅)



≥ 32 公斤 (70.5 磅)



≥ 55 公斤 (121.2 磅)

警告：  
搬運時請注意安全。



警告：  
裝置上的電源控制按鈕及電源供應器上的電源開關，無法關閉裝置所產生的電流。  
該裝置可能有多條電源線。若要除去裝置流出的所有電流，請確認已切斷所有電源線的電源。



警告：

請勿堆放重量超過 **82 公斤 (180 磅)** 的物體於框架裝載式裝置上。





## DANGER

Le courant électrique provenant de l'alimentation, du téléphone et des câbles de transmission peut présenter un danger.

Pour éviter tout risque de choc électrique :

- Ne manipulez aucun câble et n'effectuez aucune opération d'installation, d'entretien ou de reconfiguration de ce produit au cours d'un orage.
- Branchez tous les cordons d'alimentation sur un socle de prise de courant correctement câblé et mis à la terre.
- Branchez sur des socles de prise de courant correctement câblés tout équipement connecté à ce produit.
- Lorsque cela est possible, n'utilisez qu'une seule main pour connecter ou déconnecter les câbles d'interface.
- Ne mettez jamais un équipement sous tension en cas d'incendie ou d'inondation, ou en présence de dommages matériels.
- Avant de retirer les carters de l'unité, mettez celle-ci hors tension et déconnectez ses cordons d'alimentation, ainsi que les câbles qui la relient aux réseaux, aux systèmes de télécommunication et aux modems (sauf instruction contraire mentionnée dans les procédures d'installation et de configuration).
- Lorsque vous installez, que vous déplacez, ou que vous manipulez le présent produit ou des périphériques qui lui sont raccordés, reportez-vous aux instructions ci-dessous pour connecter et déconnecter les différents cordons.

Connexion	Déconnexion
1. Mettez les unités HORS TENSION.	1. Mettez les unités HORS TENSION.
2. Commencez par brancher tous les cordons sur les unités.	2. Débranchez les cordons d'alimentation des prises.
3. Branchez les câbles d'interface sur des connecteurs.	3. Débranchez les câbles d'interface des connecteurs.
4. Branchez les cordons d'alimentation sur des prises.	4. Débranchez tous les câbles des unités.
5. Mettez les unités SOUS TENSION.	



**ATTENTION:**

Remplacer la pile au lithium usagée par une pile de référence identique exclusivement, (référence 33F8354), ou suivre les instructions du fabricant qui en définit les équivalences. Si votre système est doté d'un module contenant une pile au lithium, vous devez le remplacer uniquement par un module identique, produit par le même fabricant. La pile contient du lithium et peut exploser en cas de mauvaise utilisation, de mauvaise manipulation ou de mise au rebut inappropriée.

Ne pas :

- la jeter à l'eau,
- l'exposer à des températures supérieures à 100°C,
- chercher à la réparer ou à la démonter.

Ne pas mettre la pile à la poubelle. Pour la mise au rebut, se reporter à la réglementation en vigueur.



**ATTENTION:**

Si des produits à laser (tels que des unités de CD-ROM, de DVD-ROM, des unités à fibres optiques, ou des émetteurs) sont installés, prenez connaissance des informations suivantes :

- Ne retirez pas le carter. En ouvrant l'unité de CD-ROM ou de DVD-ROM, vous vous exposez au rayonnement dangereux du laser. Aucune pièce de l'unité n'est réparable.
- Pour éviter tout risque d'exposition au rayon laser, respectez les consignes de réglage et d'utilisation des commandes, ainsi que les procédures décrites dans le présent manuel.



**DANGER**

Certains produits à laser contiennent une diode à laser intégrée de classe 3A ou 3B. Prenez connaissance des informations suivantes:

Rayonnement laser lorsque le carter est ouvert. Evitez toute exposition directe au rayon laser. Evitez de regarder fixement le faisceau ou de l'observer à l'aide d'instruments optiques.



≥18 kg (37 lbs)



≥32 kg (70.5 lbs)



≥55 kg (121.2 lbs)

**ATTENTION:**

Soulevez la machine avec précaution.



**ATTENTION:**

L'interrupteur de contrôle d'alimentation de l'unité et l'interrupteur dubloc d'alimentation ne coupent pas le courant électrique alimentant l'unité. En outre, le système peut être équipé de plusieurs cordons d'alimentation. Pour mettre l'unité hors tension, vous devez déconnecter tous les cordons de la source d'alimentation.



**ATTENTION:**

Ne placez pas d'objet supérieur à 82 kg sur une unité montée en armoire.





## VORSICHT

An Netz-, Telefon- und Datenleitungen können gefährliche Spannungen anliegen.

### Aus Sicherheitsgründen:

- Bei Gewitter an diesem Gerät keine Kabel anschließen oder lösen. Ferner keine Installations-, Wartungs- oder Rekonfigurationsarbeiten durchführen.
- Gerät nur an eine Schutzkontaktsteckdose mit ordnungsgemäß geerdetem Schutzkontakt anschließen.
- Alle angeschlossenen Geräte ebenfalls an Schutzkontaktsteckdosen mit ordnungsgemäß geerdetem Schutzkontakt anschließen.
- Die Signalkabel nach Möglichkeit einhändig anschließen oder lösen, um einen Stromschlag durch Berühren von Oberflächen mit unterschiedlichem elektrischem Potenzial zu vermeiden.
- Geräte niemals einschalten, wenn Hinweise auf Feuer, Wasser oder Gebäudeschäden vorliegen.
- Die Verbindung zu den angeschlossenen Netzkabeln, Telekommunikationssystemen, Netzwerken und Modems ist vor dem Öffnen des Gehäuses zu unterbrechen, sofern in den Installations- und Konfigurationsprozeduren keine anders lautenden Anweisungen enthalten sind.
- Zum Installieren, Transportieren und Öffnen der Abdeckungen des Computers oder der angeschlossenen Einheiten die Kabel gemäß der folgenden Tabelle anschließen und abziehen.

Zum Anschließen der Kabel gehen Sie wie folgt vor	Zum Abziehen der Kabel gehen Sie wie folgt vor
<ol style="list-style-type: none"><li>1. Schalten Sie alle Einheiten AUS.</li><li>2. Schließen Sie erst alle Kabel an die Einheiten an.</li><li>3. Schließen Sie die Signalkabel an die Buchsen an.</li><li>4. Schließen Sie die Netzkabel an die Steckdose an.</li><li>5. Schalten Sie die Einheit EIN.</li></ol>	<ol style="list-style-type: none"><li>1. Schalten Sie alle Einheiten AUS.</li><li>2. Ziehen Sie zuerst alle Netzkabel aus den Netzsteckdosen.</li><li>3. Ziehen Sie die Signalkabel aus den Buchsen.</li><li>4. Ziehen Sie alle Kabel von den Einheiten ab.</li></ol>





#### CAUTION:

Eine verbrauchte Lithiumbatterie nur durch eine Batterie mit der Teilenummer 33F8354 oder eine gleichwertige, vom Hersteller empfohlene Batterie ersetzen. Enthält das System ein Modul mit einer Lithiumbatterie, dieses nur durch ein Modul desselben Typs und von demselben Hersteller ersetzen. Die Batterie enthält Lithium und kann bei unsachgemäßer Verwendung, Handhabung oder Entsorgung explodieren.

Die Batterie nicht:

- mit Wasser in Berührung bringen.
- über 100 C erhitzen.
- reparieren oder zerlegen.

Die örtlichen Bestimmungen für die Entsorgung von Sondermüll beachten.



#### ACHTUNG:

**Bei der Installation von Lasergeräten (wie CD-ROM-Laufwerken, DVD-aufwerken, Einheiten mit Lichtwellenleitertechnik oder Sendern) Folgendes beachten:**

- Die Abdeckungen nicht entfernen. Durch Entfernen der Abdeckungen des Lasergeräts können gefährliche Laserstrahlungen freigesetzt werden. Das Gerät enthält keine zu wartenden Teile.
- Werden Steuerelemente, Einstellungen oder Durchführungen von Prozeduren anders als hier angegeben verwendet, kann gefährliche Laserstrahlung auftreten.



#### VORSICHT

**Einige Lasergeräte enthalten eine Laserdiode der Klasse 3A oder 3B. Beachten Sie Folgendes:**

**Laserstrahlung bei geöffneter Verkleidung. Nicht in den Strahl blicken. Keine Lupen oder Spiegel verwenden. Strahlungsbereich meiden.**



≥18 kg



≥32 kg



≥55 kg

**ACHTUNG:**

Arbeitsschutzrichtlinien beim Anheben der Maschine beachten.



**ACHTUNG:**

Mit dem Netzschalter an der Einheit und am Netzteil wird die Stromversorgung für die Einheit nicht unterbrochen. Die Einheit kann auch mit mehreren Netzkabeln ausgestattet sein. Um die Stromversorgung für die Einheit vollständig zu unterbrechen, müssen alle zum Gerät führenden Netzkabel vom Netz getrennt werden.



**ACHTUNG:**

Legen Sie auf in einem Rack montierten Einheiten keine über 82 kg schweren Gegenstände ab.





#### סכנה

זרם חשמלי המועבר בכבלי חשמל, טלפון ותקשורת הוא מסוכן.

כדי להימנע מסכנת התחשמלות:

- אל תחברו או תנתקו כבלים, ואל תבצעו פעולת התקנה, תחזוקה או שינוי תצורה במוצר זה במהלך סופת ברקים.
- חברו את כל כבלי החשמל לשקע חשמל מחווט ומוארק כהלכה.
- חברו כל ציוד שיחובר למוצר זה לשקעי חשמל מחוטים כהלכה.
- במידת האפשר, השתמשו ביד אחת בלבד לחיבור או לניתוק של כבלי אותות.
- לעולם אל תפעילו ציוד כלשהו כאשר יש עדות לנזק מבני או לנזק כתוצאה מאש או ממים.
- נתקו את כבלי החשמל, מערכות התקשורת, התקני הרשת והמודמים המחוברים לפני פתיחת כיסויי ההתקן, אלא אם הליכי ההתקנה וקביעת התצורה מורים אחרת.
- בעת התקנה, העברה או פתיחת כיסויים במוצר זה או בהתקנים המחוברים, חברו ונתקו את הכבלים כמתואר בטבלה שלהלן.

כדי לחבר	כדי לנתק
1. כבו הכל.	1. כבו הכל.
2. ראשית, חברו את כל הכבלים להתקנים.	2. ראשית, נתקו את כבלי החשמל מהשקעים.
3. חברו את כבלי האותות למחברים.	3. נתקו את כבלי האותות מהמחברים.
4. חברו את כבלי החשמל לשקעים.	4. הסירו את כל הכבלים מההתקנים.
5. הפעילו את ההתקן.	



זהירות:

בעת החלפת סוללת הליתיום, השתמשו רק בסוללה בעלת מק"ט 33F8354 או בסוג תואם שהומלץ על ידי היצרן. אם המערכת כוללת מודול המכיל סוללת ליתיום, החליפו אותו רק במודול מאותו סוג ומתוצרת אותו יצרן. הסוללה מכילה ליתיום, ועלולה להתפוצץ אם לא משתמשים ומטפלים בה או משליכים אותה כראוי.

לעולם:

- אל תטבלו במים

- אל תחממו לטמפרטורה הגבוהה מ-100°C (212°F)

- אל תתקנו או תפרקו

השליכו את הסוללה כנדרש לפי התקנות והחוקים המקומיים.



זהירות:

בעת התקנת מוצרי ליזר (כגון כונני תקליטורים ו-DVD, התקני סיב אופטי או משדרים), שימו לב לאזהרות הבאות:

- אל תסירו את הכיסויים. הסרת הכיסויים של מוצר הלייזר עלולה לגרום לחשיפה לקרינת לייזר מסוכנת. אין חלקים ברי טיפול בתוך ההתקן.

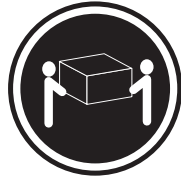
- שינויים, שימוש בבקרות או ביצוע הליכים אחרים מאלה המתוארים כאן, עלולים לגרום לחשיפה לקרינה מסוכנת.



סכנה

מוצרי לייזר מסוימים מכילים דיודת לייזר מסוג Class 3A או Class 3B. שימו לב לאזהרה הבאה:

כאשר הוא פתוח, המוצר פולט קרינת לייזר. אל תביטו ישירות בקרן, אל תביטו ישירות בעזרת ציוד אופטי, והימנעו מחשיפה לקרן.



18 ≤ ק"ג (37 ליב')



32 ≤ ק"ג (70.5 ליב')



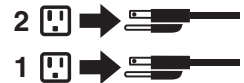
55 ≤ ק"ג (121.2 ליב')

זהירות:  
השתמשו בהליכים  
הנאותים בעת  
הרמת הציוד.



זהירות:

לחצן הפעלה של ההתקן ומתג הפעלה של ספק החשמל אינם מפסיקים את זרם החשמל המסופק להתקן. בנוסף, ההתקן עשוי לכלול יותר מכבל חשמל אחד. כדי לסלק את כל הזרם החשמלי מההתקן, דאו שכל כבלי החשמל מנותקים ממקור החשמל.



זהירות:

אל תניחו חפץ כלשהו השוקל יותר מ-82 ק"ג (180 ליב') על התקנים המחוברים למעמד מסגרת.





## PERICOLO

La corrente elettrica proveniente dai cavi di alimentazione, del telefono e di comunicazione può essere pericolosa.

**Per evitare il rischio di scosse elettriche:**

- **Non collegare o scollegare qualsiasi cavo oppure effettuare l'installazione, la manutenzione o la riconfigurazione del prodotto durante un temporale.**
- **Collegare tutti i fili elettrici a una presa di alimentazione correttamente cablata e dotata di messa a terra.**
- **Collegare alle prese elettriche appropriate tutte le apparecchiature che verranno utilizzate per questo prodotto.**
- **Se possibile, utilizzare solo una mano per collegare o scollegare i cavi di segnale.**
- **Non accendere assolutamente apparecchiature in presenza di incendi, perdite d'acqua o danno strutturale.**
- **Scollegare i cavi di alimentazione, i sistemi di telecomunicazione, le reti e il modem prima di aprire i coperchi del dispositivo, salvo istruzioni contrarie relative alle procedure di installazione e configurazione.**
- **Collegare e scollegare i cavi come descritto nella seguente tabella quando vengono effettuate operazioni di installazione, spostamento o apertura dei coperchi di questo prodotto o delle unità collegate.**

Per collegarsi	Per scollegarsi
1. <b>SPEGNERE</b> le apparecchiature.	1. <b>SPEGNERE</b> le apparecchiature.
2. Innanzitutto, collegare tutti i cavi alle unità.	2. Innanzitutto, rimuovere i cavi di alimentazione dalla presa.
3. Collegare i cavi di segnale ai connettori.	3. Rimuovere i cavi di segnale dai connettori.
4. Collegare i cavi di alimentazione alla presa.	4. Rimuovere tutti i cavi dalle unità.
5. Accendere l'unità.	



#### ATTENZIONE:

Quando si sostituisce la batteria al litio, utilizzare solo il Numero parte 33F8354 o un tipo di batteria equivalente consigliato dal produttore. Se sul sistema è presente un modulo che contiene una batteria al litio, sostituirlo solo con un tipo di modulo dello stesso tipo della stessa casa di produzione. La batteria contiene litio e può esplodere se usata, maneggiata o smaltita in modo non corretto.

*Non:*

- Gettare o immergere la batteria nell'acqua
- Riscaldarla ad una temperatura superiore ai 100 gradi C (212 gradi F)
- Smontarla, ricaricarla o tentare di ripararla

Le batterie usate vanno smaltite in accordo alla normativa in vigore (DPR 915/82 e successive disposizioni e disposizioni locali).



#### ATTENZIONE:

Quando vengono installati prodotti laser (quali CD-ROM, unità DVD-ROM, unità a fibre ottiche o trasmettenti), tener presente quanto segue:

- Non rimuovere gli sportelli. L'apertura di un'unità laser può determinare l'esposizione a radiazioni laser pericolose. All'interno dell'unità non vi sono parti su cui effettuare l'assistenza tecnica.
- L'utilizzo di controlli, regolazioni o l'esecuzione di procedure non descritti nel presente manuale possono provocare l'esposizione a radiazioni pericolose.



#### PERICOLO

Alcune unità laser contengono un diodo laser di Classe 3A o Classe 3B. Tener presente quanto segue:

Aperto l'unità vengono emesse radiazioni laser. Non fissare il fascio, non guardarlo direttamente con strumenti ottici ed evitare l'esposizione al fascio.



≥18 kg



≥32 kg



≥55 kg

**ATTENZIONE:**

Prestare attenzione nel sollevare l'apparecchiatura.



**ATTENZIONE:**

Il pulsante di controllo dell'alimentazione presente sull'unità e l'interruttore dell'alimentatore non disattivano l'alimentazione corrente fornita all'unità. E' possibile che l'unità disponga di più cavi di alimentazione. Per disattivare l'alimentazione dall'unità, accertarsi che tutti i cavi di alimentazione siano scollegati dalla fonte di alimentazione.

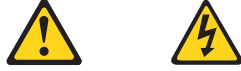


**ATTENZIONE:**

Non collocare oggetti che pesano più di 82 kg (180 lb.) sulla parte superiore delle unità montate nel rack.







**위험**

전원, 전화, 통신 케이블의 전류는 위험합니다.

**감전의 위험을 피하려면 다음과 같이 하십시오.**

- 번개가 치는 날에는 케이블을 연결 또는 분리하거나 본 제품을 설치, 보수, 재구성하지 마십시오.
- 모든 전원 코드는 올바르게 접지된 전기 콘센트에 연결하십시오.
- 본 제품에 연결될 장치는 올바르게 배선된 콘센트에 연결하십시오.
- 신호 케이블을 연결 또는 분리할 때 가능하면 한 손만을 사용하십시오.
- 불 또는 물로 인한 손상이나 구조적인 손상이 있을 경우 장치의 전원을 절대 켜지 마십시오.
- 설치 및 구성 과정에 별도의 지시 사항이 없는 경우, 장치의 덮개를 열기 전에 연결된 전원 코드, 원격 통신 시스템, 네트워크, 모뎀을 분리하십시오.
- 본 제품이나 연결된 장치를 설치, 이동하거나 덮개를 열 때 다음 표와 같은 순서로 케이블을 연결하거나 분리하십시오.

연결할 때:	분리할 때:
<ol style="list-style-type: none"> <li>1. 모든 장치의 전원을 끄십시오.</li> <li>2. 먼저 모든 케이블을 장치에 연결하십시오.</li> <li>3. 커넥터에 신호 케이블을 연결하십시오.</li> <li>4. 콘센트에 전원 코드를 연결하십시오.</li> <li>5. 장치의 전원을 켜십시오.</li> </ol>	<ol style="list-style-type: none"> <li>1. 모든 장치의 전원을 끄십시오.</li> <li>2. 먼저 콘센트에서 전원 코드를 분리하십시오.</li> <li>3. 커넥터에서 신호 케이블을 분리하십시오.</li> <li>4. 장치에서 모든 케이블을 분리하십시오.</li> </ol>



**주의:**

배터리를 교환할 때는 Part Number 33F8354 또는 제조업체에서 지정한 동일한 종류의 제품을 사용하십시오. 사용자의 시스템이 리튬 배터리를 포함하는 모듈일 경우, 동일한 제조업체에서 동일한 모듈 유형으로 생산된 제품으로 교체하십시오. 배터리에는 리튬이 함유되어 있어 잘못 사용, 취급 또는 폐기할 경우 폭발의 위험이 있습니다.

사고를 방지하려면 다음 사항을 준수하십시오.

- 배터리를 물 속에 던지거나 침수시키지 마십시오.
- 100℃(212°F) 이상 가열하지 마십시오.
- 수리하거나 분해하지 마십시오.

배터리를 폐기할 때는 법령 또는 회사의 안전 수칙에 따라 폐기하십시오.



**주의:**

CD-ROM, DVD-ROM 장치, 광섬유 장치 또는 송신 장치와 같은 레이저 제품을 설치할 때, 다음과 같은 취급 주의사항을 참고하십시오.

- 덮개를 열지 마십시오. 덮개를 열면 레이저 복사 에너지에 노출될 위험이 있습니다. 장치 내부에는 사용자가 조정하거나 수리할 수 있는 부품이 없습니다.
- 규정된 것 이외의 절차 수행, 제어 조정 등의 행위로 인해 해로운 레이저 복사에 노출될 수 있습니다.



**위험**

일부 장비에는 임베디드 클래스 3A 또는 클래스 3B 레이저 다이오드가 있습니다. 다음 주의사항에 유의하십시오.

드라이브가 열리면 레이저 복사 에너지가 방출됩니다. 광선이 눈에 직접 쏘이지 않도록 하십시오. 나안 또는 광학 기구를 착용한 상태에서 광선을 직접 바라보지 않도록 하십시오.



≥ 18 kg (37 lbs)



≥ 32 kg (70.5 lbs)



≥ 55 kg (121.2 lbs)

**주의:**

제품을 들어 올릴 때 안전 규제를 따르십시오.



**주의:**

장치의 전원 제어 버튼 및 전원 공급 장치의 전원 스위치를 사용하여 장치에 공급되는 전기를 차단하지 마십시오. 장치는 둘 이상의 코드를 가지고 있을 수 있습니다. 장치에서 모든 전원을 차단하려면 콘센트에서 코드가 모두 분리되어 있는지 확인하십시오.





주의:

랙 마운트 장치 위에 무게가 82 kg (180 lbs.) 이상인 물체를 올려 두지 마십시오.





## PELIGRO

La corriente eléctrica procedente de cables de alimentación, teléfonos y cables de comunicación puede ser peligrosa.

Para evitar el riesgo de descarga eléctrica:

- No conecte ni desconecte los cables ni realice ninguna tarea de instalación, mantenimiento o reconfiguración de este producto durante una tormenta eléctrica.
- Conecte todos los cables de alimentación a tomas de corriente debidamente cableadas y conectadas a tierra.
- Cualquier equipo que se conecte a este producto también debe conectarse a tomas de corriente debidamente cableadas.
- Siempre que sea posible, utilice una sola mano para conectar o desconectar los cables de señal.
- No encienda nunca un equipo cuando hay señales de fuego, agua o daños estructurales.
- Desconecte los cables de alimentación, los sistemas de telecomunicaciones, las redes y los módems conectados antes de abrir las cubiertas de los dispositivos, a menos que se indique lo contrario en los procedimientos de instalación y configuración.
- Conecte y desconecte los cables, como se describe en la tabla siguiente, cuando instale, mueva o abra las cubiertas de este producto o de los dispositivos conectados.

Para conectar	Para desconectar
<ol style="list-style-type: none"><li>1. APÁGUELO todo.</li><li>2. En primer lugar, conecte todos los cables a los dispositivos.</li><li>3. Conecte los cables de señal a los conectores.</li><li>4. Enchufe los cables de alimentación a las tomas de corriente.</li><li>5. Encienda el dispositivo.</li></ol>	<ol style="list-style-type: none"><li>1. APÁGUELO todo.</li><li>2. En primer lugar, desenchufe los cables de alimentación de las tomas de corriente.</li><li>3. Desconecte los cables de señal de los conectores.</li><li>4. Desconecte todos los cables de los dispositivos.</li></ol>



#### PRECAUCIÓN:

Cuando sustituya una batería de litio, utilice solamente una batería número de pieza 33F8354 u otra de tipo equivalente recomendada por el fabricante. Si su sistema dispone de un módulo que contiene una batería de litio, reemplácelo sólo con el mismo tipo de módulo, del mismo fabricante. La batería contiene litio y puede explotar si no se utiliza, manipula o desecha correctamente.

*No debe:*

- Arrojarla al agua o sumergirla en ella
- Exponerla a temperaturas superiores a 100°C (212°F)
- Repararla o desmontarla

Deshágase de la batería según especifiquen las leyes o normas locales.



#### PRECAUCIÓN:

Cuando haya productos láser (como unidades de CD-ROM, unidades de DVD, dispositivos de fibra óptica o transmisores) instalados, tenga en cuenta lo siguiente:

- No quite las cubiertas. Si quita las cubiertas del producto láser, podría quedar expuesto a radiación láser peligrosa. Dentro del dispositivo no existe ninguna pieza que requiera servicio técnico.
- Si usa controles o ajustes o realiza procedimientos que no sean los especificados aquí, podría exponerse a radiaciones peligrosas.



#### PELIGRO

Algunos productos láser tienen incorporado un diodo láser de clase 3A o clase 3B. Tenga en cuenta lo siguiente:

Cuando se abre, queda expuesto a radiación láser. No mire directamente al rayo láser, ni siquiera con instrumentos ópticos, y evite exponerse directamente al rayo láser.



≥18 kg



≥32 kg



≥55 kg

**PRECAUCIÓN:**

Adopte procedimientos seguros al levantar el equipo.



**PRECAUCIÓN:**

El botón de control de alimentación del dispositivo y el interruptor de alimentación de la fuente de alimentación no desconectan la corriente eléctrica suministrada al dispositivo. Además, el dispositivo podría tener más de un cable de alimentación. Para suprimir toda la corriente eléctrica del dispositivo, asegúrese de que todos los cables de alimentación estén desconectados de la toma de corriente.



**PRECAUCIÓN:**

No coloque ningún objeto que pese más de 82 Kg (180 lb) encima de dispositivos montados en un bastidor.



---

## Chapter 3. General information

This chapter provides general information that applies to all machine types supported by this publication.

---

### The Access IBM program

Use the Access IBM<sup>®</sup> program for general information about the use, operation, and maintenance of the computer. The Access IBM program also contains information to help solve problems and get repair service or other technical assistance. The Access IBM program is preinstalled on most ThinkCentre products.

---

### Additional information resources

If you have Internet access, the most up-to-date information for your computer is available from the World Wide Web.

You can find the following information:

- CRU removal and installation instructions
- Publications
- Troubleshooting information
- Parts information
- Downloads and drivers
- Links to other useful sources of information

To access this information, point your browser to <http://www.lenovo.com/think/support/>.

---

### Physical specifications

This section details the physical specifications for each computer Type.

# Types 8095, 8096, 8141, 8142, 8145, 8420, and 8421

This section lists the physical specifications.

<p><b>Dimensions</b></p> <p>Height: 146 mm (5.7 in.)          Width: 442 mm (17.4 in.)          Depth: 401 mm (15.8 in.)</p> <p><b>Weight</b></p> <p>Minimum configuration as shipped: 11 kg (24 lb)          Maximum configuration: 14 kg (31 lb)</p> <p><b>Environment</b></p> <p>Air temperature:          System on: 10° to 35°C (50° to 95° F)          System off: 10° to 43°C (50° to 110° F)          Maximum altitude: 2134 m (7000 ft)  <b>Note:</b> The maximum altitude, 2134 m (7000 ft), is the maximum altitude at which the specified air temperatures apply. At higher altitudes, the maximum air temperatures are lower than those specified.</p> <p>Humidity:          System on: 8% to 80%          System off: 8% to 80%</p> <p><b>Electrical input</b></p> <p>Input voltage:          Low range:          Minimum: 90 V ac          Maximum: 180 V ac          Input frequency: 50/60 Hz          Voltage switch setting: 115 V ac          High range:          Minimum: 137 V ac          Maximum: 265 V ac          Input frequency: 50/60 Hz          Voltage switch setting: 230 V ac          Input kilovolt-amperes (kVA) (approximate):          Minimum configuration as shipped: 0.08 kVA          Maximum configuration: 0.25 kVA</p> <p><b>Note:</b> Power consumption and heat output vary depending on the number and type of optional features installed and the power-management optional features in use.</p>	<p><b>Heat output</b> (approximate) in British thermal units (Btu) per hour:          Minimum configuration: 256 Btu/hr (75 watts)          Maximum configuration: 1058 Btu/hr (310 watts)</p> <p><b>Airflow</b></p> <p>Approximately 1.13 cubic meters per minute (40 cubic feet per minute) maximum</p> <p><b>Acoustical noise-emission values</b></p> <p>Average sound-pressure levels:          At operator position: (0.5 meters)          Idle: 33 dBA          Operating: 35 dBA          At bystander position - 1 meter (3.3 ft):          Idle: 29 dBA          Operating: 31 dBA</p> <p>Declared (upper limit) sound-power levels:          Idle: 4.3 bels          Operating: 4.4 bels</p> <p><b>Note:</b> These levels were measured in controlled acoustical environments according to the procedures specified by the American National Standards Institute (ANSI) S12.10 and ISO 7779 and are reported in accordance with ISO 9296. Actual sound-pressure levels in a given location might exceed the average values stated because of room reflections and other nearby noise sources. The declared sound-power levels indicate an upper limit, below which a large number of computers will operate.</p>
--	--



# Types 8097, 8143, 8144, 8146, 8422, 8423 and 8427

This section lists the physical specifications.

<p><b>Dimensions</b></p> <p>Height: 492 mm (19.4 in.)          Width: 175 mm (6.9 in.)          Depth: 450 mm (17.7 in.)</p> <p><b>Weight</b></p> <p>Minimum configuration: 10.5 kg (23 lb)          Maximum configuration: 13.5 kg (30 lb)</p> <p><b>Environment</b></p> <p>Air temperature:          System on: 10° to 35°C (50° to 95° F)          System off: 10° to 43°C (50° to 110° F)          Maximum altitude: 2134 m (7000 ft)  <b>Note:</b> The maximum altitude, 2134 m (7000 ft), is the maximum altitude at which the specified air temperatures apply. At higher altitudes, the maximum air temperatures are lower than those specified.</p> <p>Humidity:          System on: 8% to 80%          System off: 8% to 80%</p> <p><b>Electrical input</b></p> <p>Input voltage:          Low range:          Minimum: 100 V ac          Maximum: 127 V ac          Input frequency: 50/60 Hz          Voltage switch setting: 115 V ac          High range:          Minimum: 200 V ac          Maximum: 240 V ac          Input frequency: 50/60 Hz          Voltage switch setting: 230 V ac</p> <p>Input kilovolt-amperes (kVA) (approximate):          Minimum configuration as shipped: 0.09 kVA          Maximum configuration: 0.32 kVA</p> <p><b>Note:</b> Power consumption and heat output vary depending on the number and type of optional features installed and the power-management optional features in use.</p>	<p><b>Heat output</b> (approximate) in British thermal units (Btu) per hour:          Minimum configuration: 256 Btu/hr (75 watts)          Maximum configuration: 1058 Btu/hr (310 watts)</p> <p><b>Airflow</b></p> <p>Approximately 1.13 cubic meters per minute (40 cubic feet per minute) maximum</p> <p><b>Acoustical noise-emission values</b></p> <p>Average sound-pressure levels:          At operator position:          Idle: 31 dBA          Operating: 34 dBA          At bystander position - 1 meter (3.3 ft):          Idle: 28 dBA          Operating: 30 dBA</p> <p>Declared (upper limit) sound-power levels:          Idle: 4.2 bels          Operating: 4.3 bels</p> <p><b>Note:</b> These levels were measured in controlled acoustical environments according to the procedures specified by the American National Standards Institute (ANSI) S12.10 and ISO 7779 and are reported in accordance with ISO 9296. Actual sound-pressure levels in a given location might exceed the average values stated because of room reflections and other nearby noise sources. The declared sound-power levels indicate an upper limit, below which a large number of computers will operate.</p>
--	---

# Types 8098, 8171, 8172, 8173, 8424, and 8425

This section lists the physical specifications.

<p><b>Dimensions</b></p> <p>Width: 12.2 inches (310 mm) Height: 3.35 inches (85 mm) Depth: 14.1 inches (358 mm)</p> <p><b>Weight</b></p> <p>Minimum configuration as shipped: 7.3 kg (16 lbs) Maximum configuration as shipped: 8.5 kg (18.7 lbs)</p> <p><b>Environment</b></p> <p>Air temperature:</p> <p>Operating at 0 - 3000 ft (914.4 m): 10° to 35°C (50° to 95°F) Operating at 3000 ft - 7000 ft (2134 m): 10° to 32°C (50° to 89.6°F) Non-operating: 10° to 43°C (50° to 110°F)</p> <p>Humidity:</p> <p>Operating: 8% to 80% Non-operating: 8% to 80% Transit: 8% to 90%</p> <p>Maximum altitude: 7000 ft (2133.6 m)</p> <p><b>Electrical input</b></p> <p>Input voltage:</p> <p>Low range:</p> <p>Minimum: 90 V ac Maximum: 137 V ac Input frequency: 50/60 Hz Voltage switch setting: 115 V ac</p> <p>High range:</p> <p>Minimum: 180 V ac Maximum: 265 V ac Input frequency: 50/60 Hz Voltage switch setting: 230 V ac</p> <p>Input kilovolt-amperes (kVA) (approximate):</p> <p>Minimum configuration as shipped: 0.09 kVA Maximum configuration: 0.23 kVA</p> <p><b>Heat output</b> (approximate) in British thermal units (Btu) per hour:</p> <p>Minimum configuration: 205.8 Btu/hr (60 watts) Maximum configuration: 548.8 Btu/hr (160 watts)</p>	<p><b>Airflow</b></p> <p>Approximately 14 cubic feet (0.45 cubic meters) per minute</p> <p><b>Acoustical noise-emission values</b></p> <p><b>Note:</b> In this computer, fan speed is controlled by temperature, configuration, and software. Actual noise-emission values might be different from the stated values depending on the number of fans and the speed of the fans.</p> <p>Average sound-pressure levels for computers with a microprocessor that runs at or below 2.8 GHz:</p> <p>At operator position - 0.5 meters:</p> <p>Idle: 30 dBA Operating: 34 dBA</p> <p>At bystander position - 1 meter (3.3 ft):</p> <p>Idle: 26 dBA Operating: 29 dBA</p> <p>Declared (upper limit) sound-power levels:</p> <p>Idle: 4.0 bels Operating: 4.3 bels</p> <p>Average sound-pressure levels for computers with a microprocessor that runs at greater than 2.8 GHz:</p> <p>At operator position - 0.5 meters:</p> <p>Idle: 31 dBA Operating: 34 dBA</p> <p>At bystander position - 1 meter (3.3 ft):</p> <p>Idle: 26 dBA Operating: 29 dBA</p> <p>Declared (upper limit) sound-power levels:</p> <p>Idle: 4.0 bels Operating: 4.3 bels</p> <p><b>Note:</b> These levels were measured in controlled acoustical environments according to the procedures specified by the American National Standards Institute (ANSI) S12.10 and ISO 7779 and are reported in accordance with ISO 9296. Actual sound-pressure levels in a given location might exceed the average values stated because of room reflections and other nearby noise sources. The declared sound-power levels indicate an upper limit, below which a large number of computers will operate.</p>
---	---

---

## Chapter 4. General Checkout

### Attention

The drives in the computer you are servicing might have been rearranged or the drive startup sequence changed. Be extremely careful during write operations such as copying, saving, or formatting. Data or programs can be overwritten if you select an incorrect drive.

General error messages appear if a problem or conflict is found by an application program, the operating system, or both. For an explanation of these messages, refer to the information supplied with that software package.

### Notes:

- The default is for this computer to boot up in quiet mode (no beep, no memory count and checkpoint code display) when no errors are detected by POST.
- To enable beep, memory count, and checkpoint code display when a successful POST occurs, do the following:
  1. Start the Setup Utility program. See “Starting the Setup Utility program” on page 55.
  2. Select **Start Options**.
  3. Set **Power-On Self-Test** to **Enhanced**.
- Before replacing any FRUs, ensure that the latest level of BIOS is installed on the system. A down-level BIOS might cause false errors and unnecessary replacement of the system board. For more information on how to determine and obtain the latest level BIOS, see “BIOS levels” on page 338.

Use the following procedure to help determine the cause of the problem:

1. Power-off the computer and all external devices.
2. Check all cables and power cords.
3. Set all display controls to the middle position.
4. Power-on all external devices.
5. Power-on the computer.
  - Look for displayed error codes
  - Listen for beep codes
  - Look for readable instructions or a main menu on the display.If you **did not** receive the correct response, proceed to step 6.  
If you **do** receive the correct response, proceed to step 8 on page 46.
6. Look at the following conditions and follow the instructions:
  - If you hear beep codes during POST, go to “Beep symptoms” on page 82.
  - If the computer displays a POST error, go to “POST error codes” on page 85.
  - If the computer hangs and no error is displayed, continue at step 7.
7. There are three LEDs to help you determine if the power supply and system board are working correctly. A power button LED is located on the front of the computer and two diagnostic LEDs are located on the power supply at the rear of the computer.
  - a. Disconnect the power cord from the electrical outlet.
  - b. Reconnect the power cord to a working electrical outlet.
  - c. Press the power button.

d. Observe the LEDs and refer to the following table.

Power LED	Green diagnostic LED	Yellow diagnostic LED	Action
ON	ON	OFF	This is the normal condition of the LEDs when the power is OK.
OFF	OFF	OFF	Make sure the power cord is attached to a working electrical outlet.  If the electrical outlet is OK, replace the power supply.
OFF (after the power button has been pressed)	ON	OFF	Replace the system board
ON	ON	ON	Replace the power supply

If the Diagnostic LEDs are in the normal condition and the problem persists, replace the system board and the microprocessor, one at a time, until the computer works correctly.

8. Run the Diagnostic programs. See Chapter 5, "Diagnostics using PC-Doctor for DOS," on page 49.
  - If you receive an error, replace the part that the diagnostic program calls out or go to "Diagnostic error codes" on page 61.
  - If the test stops and you cannot continue, replace the last device tested.

---

## Problem determination tips

Due to the variety of hardware and software combinations that can be encountered, use the following information to assist you in problem determination. If possible, have this information available when requesting assistance from Service Support and Engineering functions.

- Machine type and model
- Processor or hard disk upgrades
- Failure symptom
  - Do diagnostics indicate a failure?
  - What, when, where, single, or multiple systems?
  - Is the failure repeatable?
  - Has this configuration ever worked?
  - If it has been working, what changes were made prior to it failing?
  - Is this the original reported failure?
- Diagnostics version
  - Type and version level
- Hardware configuration
  - Print (print screen) configuration currently in use
  - BIOS level
- Operating system software
  - Type and version level

**Note:** To eliminate confusion, identical systems are considered identical only if they:

1. Are the exact machine type and models
2. Have the same BIOS level
3. Have the same adapters/attachments in the same locations
4. Have the same address jumpers/terminators/cabling
5. Have the same software versions and levels
6. Have the same Diagnostics Diskette (version)
7. Have the same configuration options set in the system
8. Have the same setup for the operation system control files

Comparing the configuration and software set-up between "working and non-working" systems will often lead to problem resolution.



---

## Chapter 5. Diagnostics using PC-Doctor for DOS

Diagnostics are provided by the PC-Doctor program for DOS. These include a full range of diagnostic utilities to determine the operating condition of the computer's hardware components.

You can run diagnostics from the Rescue and Recovery™ workspace or you can create a bootable diagnostic diskette from the Rescue and Recovery workspace. Alternatively, you can download either a diskette image or a startable CD-ROM image (.iso file) from the Customer Support Web site and run diagnostics using them.

The latest version of the diagnostics program is available from <http://www.lenovo.com/think/support> on the World Wide Web. Type your machine type into the **Use Quick path** field and click **Go** to find the downloadable files that are specific to the computer. See "Diagnostics program download" on page 50.

Diagnostic error messages appear when a test program finds a problem with a hardware option. For the test programs to properly determine if a test *Passed*, *Failed* or *Aborted*, the test programs check the error-return code at test completion. See "Diagnostic error codes" on page 61.

If an installed device is not recognized by the diagnostics program, that device might be defective.

---

### Starting PC-Doctor from the Rescue and Recovery workspace

This procedure describes how to start PC-Doctor from the Rescue and Recovery workspace.

1. If your computer is already on when you start this procedure, shut down the operating system and turn off the computer.
2. To launch the Rescue and Recovery workspace, repeatedly press the F11 key as you turn on the computer.

**Note:** If a user password or an administrator password has been set, the Rescue and Recovery workspace is not displayed until you type the password.

3. When the Rescue and Recovery workspace is displayed, look for "Troubleshoot" on the left side of the screen. Click **Diagnose hardware**.

**Notes:**

- a. Additional diagnostic information is available from the Rescue and Recovery workspace, such as a diagnostic overview. Refer to the Rescue and Recovery help system for details.
- b. After selecting Diagnose hardware, make sure the computer is restarted using the restart button on the Rescue and Recovery workspace. Do not use the power switch to start the reboot.
- c. You can also create a set of diagnostic disks from the Rescue and Recovery workspace by clicking **Create diagnostic disks** from the Rescue and Recovery menu.

---

## Starting PC-Doctor from a diagnostic diskette or CD-ROM

**Note:** If your computer has no internal diskette drive, an external USB diskette drive is required when using the diagnostic diskette.

1. If your computer is already on when you start this procedure, shut down the operating system and turn off the computer.
2. Insert the diskette or CD-ROM in the appropriate drive.
3. Turn on the computer.

**Note:** If the PC-Doctor program fails to start, make sure that the startup device sequence is configured to allow startup from the diskette or CD-ROM drive. See "Selecting a startup device" on page 58.

---

## Diagnostics program download

If you have access to the internet, you can download a diskette image or a startable CD-ROM image (.iso file) of the diagnostics.

To download the latest diagnostics program from the WWW, do the following:

- Go to <http://www.lenovo.com/think/support>.
- Type the machine type in the "Use Quick Path" field and click **Go**.
- Click **Downloads and drivers** and scroll down to locate the Enhanced diagnostics.

---

## Navigating through the diagnostics programs

Use the cursor movement keys to navigate within the menus.

- The **Enter** key is used to select a menu item.
- The **Esc** key is used to back up to the previous menu.
- For online help select **F1**.

---

## Running diagnostics tests

There are four ways to run the diagnostic tests.

- Using the cursor movement keys, highlight **Run Normal Test** or **Run Quick Test** from the Diagnostics menu and then press **Enter**.

This automatically runs a pre-defined group of tests from each test category. **Run Normal Test** runs a more extensive set of tests than does **Run Quick Test** and takes longer to complete.

- Press **F5** to automatically run all selected tests in all categories. See "Test selection" on page 51.
- From within a test category, press **Ctrl-Enter** to automatically run only the selected tests in that category. See "Test selection" on page 51.
- Using the cursor movement keys, highlight a single test within a test category, and then press **Enter**. This runs only that test.

Press **Esc** at any time to stop the testing process.

Test results (N/A, PASSED, FAILED, ABORTED) are displayed in the field beside the test description and in the test log. See "Viewing the test log" on page 54.



## Test selection

To select one or more tests, use the following procedure.

1. Open the corresponding test category.
2. Using the cursor movement keys, highlight the desired test.
3. Press the space bar.  
A selected test is marked by >>. Pressing the space bar again de-selects a test and removes the >>.
4. Repeat steps 2 and 3 above to select all desired tests.

## Test results

Diagnostics test results produce the following error code format:

Function Code	Failure Type	DeviceID	Date	ChkDigits	Text
---------------	--------------	----------	------	-----------	------

- **Function Code:**  
Represents the feature or function within the PC.
- **Failure Type:**  
Represents the type of error encountered.
- **DeviceID:**  
Contains the component's unit-ID which corresponds to either a fixed disk drive, removable media drive, serial or parallel port, processor, specific RIMM, or a device on the PCI bus.
- **Date:**  
Contains the date when the diagnostic test was run. The date is retrieved from CMOS and displayed using the YYYYMMDD format.
- **ChkDigits:**  
Contains a 2-digit check-digit value to ensure the following:
  - Diagnostics were run on the specified date.
  - Diagnostics were run on the specified computer.
  - The diagnostic error code is recorded correctly.
- **Text:**  
Description of the error.

**Note:** See "Diagnostic error codes" on page 61 for error code listings.

## Fixed disk advanced test (FDAT)

PC-Doctor Fixed-Disk<sup>1</sup> Advanced Test module (FDAT) is a full-featured highly configurable fixed-disk test suite. The configurable capabilities of FDAT allow users to enable or disable specific tests, enable or disable testing features, control the test log detail, alter testing parameters, and so on. FDAT tests for and reports most commonly found errors on a fixed-disk drive and is able to test up to 128 SCSI and 4 IDE drives (up to 132 total drives).

Drive information is gathered through FDAT's enumeration of available devices and user specific configuration parameters located in the FDAT.INI. FDAT uses information supplied by these features to indicate specifically what devices are

---

1. The terms fixed disk and hard disk are used interchangeably.

available for test, what tests are available for the device, device properties, and so on. To change testing parameters, you modify the FDAT.INI file in PC Doctor for DOS.

FDAT consists of the following subtests and features.

**Fixed-Disk Tests:**

- *Seek Tests:* - checks the physical operation of the drive head.
  - Linear Seek
  - Random Seek
  - Min-Max Seek
  - Butterfly Seek
- *Verify Tests:* - checks the integrity of the data present on the media.
  - Linear Verify
  - Random Verify
- *Surface Scan Tests:* - checks the drive media for defects.
  - Surface Scan (Linear)
  - Surface Scan (Aggressive) - this is disabled for normal customer use.
  - Surface Scan (Random)
- Self-monitoring, Analysis and Reporting Technology (SMART) - checks the SMART functionality for drives that support SMART.
  - Start SMART Self-Test

**Other Test Features:**

- *Write-Splice Repair* - detects and corrects Error Correction Code errors during Verify tests.
- *Auto Spin Down* - a gradual spin down of the drive platters to avoid damaging the media.
- *Manufacturer Log* - an in-depth manufacturer supported log of errors on the drive.

**Multitasking:**

To allow simultaneous testing of multiple hard drives whenever possible, the FDAT module is written as a set of multitasking functions. Each drive under test can run the same test or run a different test at the same time. Each subtest is written to handle a single test pass and all test variables are kept track of in a structure unique for each drive.

However, when testing IDE drives, FDAT will not perform simultaneous testing of IDE drives that are attached to the same IDE cable. For example, if FDAT is testing four IDE drives on a PC, it will perform simultaneous testing on drives 1 and 3 first (master drives), then perform tests on 2 and 4 (slave drives). FDAT will also perform simultaneous testing on a master and slave that are on separate IDE cables, but will not perform simultaneous tests on a master and slave on the same IDE cable. This generally increases the amount of time needed to test multiple IDE drives.

Another limitation of FDAT'S multitasking capability is the use of Ultra DMA (UDMA). Only one drive at a time can access the UDMA channel and the UDMA

channel buffer must be kept high in order to maintain a speed advantage over other data transfer modes. In order to use the UDMA channel during testing, users must disable the multitasking feature.

#### **Destructive versus non-destructive testing:**

Most of the tests found in FDAT are non-destructive. This means that PC-Doctor program will preserve any data that is present on the tested media prior to beginning any destructive operations (such as write operations). However, users can run certain tests in destructive mode (i.e. surface scan tests). Destructive tests will speed up testing because FDAT does not preserve the data on the media prior to the test beginning. Unlike non-destructive tests, any data present on the media prior to the test beginning is lost.

FDAT allows for enabling or disabling destructive tests, as well as specifying a range of destructive and non-destructive sectors on the tested drive. This is done through the configuration of the FDAT.INI. If destructive and non-destructive ranges somehow overlap, then the overlapped area is considered non-destructive. For example, if users specify both destructive and non-destructive ranges as the same, then the entire drive is tested as non-destructive.

### **Quick and Full erase - hard drive**

The diagnostics program offers two hard drive format utilities:

- Quick Erase Hard Drive
- Full Erase Hard Drive

The Quick Erase Hard Drive provides a DOS utility that performs the following:

- Destroys the Master Boot Record (MBR) on the hard drive.
- Destroys all copies of the FAT Table on all partitions (both the master and backup).
- Destroys the partition table.
- Provides messages that warn the user that this is a non-recoverable process.

The Full Erase Hard Drive provides a DOS utility that performs the following:

- Performs all the steps in Quick Erase.
- Provides a DOS utility that writes random data to all sectors of the hard drive.
- Provides an estimate of time to completion along with a visual representation of completion status.
- Provides messages that warn the user about non-recoverable process.

<b>Important:</b> Make sure that all data is backed up before using the Quick or Full Erase functions.
--

To select the Quick Erase or Full Erase Hard Drive utility, use the following procedure:

1. Select the UTILITY option on the toolbar and press **Enter**.
2. Select either the QUICK ERASE or FULL ERASE HARD DISK option and follow the instructions.

---

## Viewing the test log

Errors reported by the diagnostic test will be displayed by the program as a failed test.

To view details of a failure or to view a list of test results, use the following procedure from any test category screen:

1. Press **F3** to activate the log file.
2. Press **F3** again to save the file to diskette or press **F2** to print the file.

---

## Chapter 6. Using the Setup Utility

The Setup Utility program is stored in the electrically erasable programmable read-only memory (EEPROM) of the computer. The Setup Utility program is used to view and change the configuration settings of the computer, regardless of which operating system you are using. However, the operating-system settings might override any similar settings in the Setup Utility program.

---

### Starting the Setup Utility program

To start the Setup Utility program, do the following:

1. If your computer is already on when you start this procedure, shut down the operating system and turn off the computer.
2. Repeatedly press the F1 key as you turn on the computer.

**Notes:**

- a. If a password has been set, the Setup Utility program menu is not displayed until you type your password. See “Using passwords” for more information.
- b. BIOS settings cannot be changed without the correct password.
- c. The Setup Utility might start automatically when the power-on self-test (POST) detects that hardware has been removed or new hardware has been installed in your computer.

---

### Viewing and changing settings

The Setup Utility program menu lists items that identify system configuration topics.

When working with the Setup Utility program menu, you must use the keyboard. The keys used to perform various tasks are displayed at the bottom of each screen.

---

### Exiting from the Setup Utility program

When you finish viewing or changing settings, press Esc to return to the Setup Utility program menu (you might have to press Esc several times). If you want to save the new settings, press F10.

---

### Using passwords

By using the Setup Utility program, you can set passwords to prevent unauthorized persons from gaining access to your computer and data. The types of passwords used are:

- User Password
- Administrator Password
- IDE Drive User Password (some computers)
- IDE Drive Master Password (some computers)

You do not have to set any passwords to use your computer. However, if you decide to set any passwords, read the following sections.

## Password considerations

If you are setting any of the various types of passwords on your computer, you should read and understand the following information:

- If you type an incorrect password, you will see an error message. If you type an incorrect password three consecutive times, you must turn the computer off and start again.
- If you set both a User Password and an IDE Drive User Password to the same string, you will be prompted for the password only once when you turn on your computer.
- Do not move an internal IDE hard disk drive to another computer if an IDE Drive User Password has been set unless that computer also supports the IDE Drive User Password.
- If your computer is connected to a local area network (LAN), Wake on LAN<sup>®</sup> will not work unless both a User Password and an IDE Drive User Password are set using the same password.

## User Password

When a User Password is set, the user is prompted to type a valid password each time the computer is turned on. The computer cannot be used until a valid password is typed from the keyboard.

## Administrator Password

Setting an Administrator Password deters unauthorized persons from changing configuration settings. If you are responsible for maintaining the settings of several computers, you might want to set an Administrator Password.

After you set an Administrator Password, a password prompt is displayed each time you try to access the Setup Utility program.

If both the user and administrator passwords are set, you can type either password. However, to change any configuration settings, you must use your administrator password.

## IDE Drive User Password

The IDE Drive User Password, used on some computers, is used to protect the data on the IDE hard disk drive(s). When this password is set, you are prompted to type a valid password before any hard disk drive can be used. This prompt is displayed each time you turn on your computer. If your computer has multiple hard disk drives, they all must use the same password.

### Attention

If an IDE Drive User Password is set but the IDE Drive Master Password is not set, there is no recovery in the event that the IDE Drive User Password is lost or forgotten. The hard disk drive must be replaced. See "IDE Drive Master Password."

## IDE Drive Master Password

The IDE Drive Master Password, used on some computers, is used to recover use of the hard disk drive in the event that the IDE Drive User Password is lost or forgotten. Only the person who knows the IDE Drive Master password can reset the IDE Drive User Password.

**Attention**

Make sure that the IDE Drive Master password is stored in a safe place. If both the IDE Drive User password and the IDE Drive Master password are lost or forgotten, the IDE hard disk drive must be replaced.

If both the IDE Drive User Password and the IDE Drive Master Password are to be set, the IDE Drive Master Password must be set before setting the IDE Drive User Password.

## Setting, changing, and deleting a password

To set, change, or delete a password, do the following:

**Note:** A password can be any combination of up to seven characters (A- Z, a-z, and 0-9).

1. Start the Setup Utility program (see “Starting the Setup Utility program” on page 55).
2. From the Setup Utility program menu, select **Security**.
3. Select **Set Passwords**. Read the information displayed on the right side of the screen.

---

## Using Security Profile by Device

Security Profile by Device is used to enable or disable user access to the following devices:

<b>IDE controller</b>	When this feature is set to <b>Disable</b> , all devices connected to the IDE controller (such as hard disk drives or the CD-ROM drive) are disabled and will not be displayed in the system configuration.
<b>Diskette Drive Access</b>	When this feature is set to <b>Disable</b> , the diskette drive cannot be accessed.
<b>Diskette Write Protect</b>	When this feature is set to <b>Enable</b> , all diskettes are treated as if they are write-protected.

To set Security Profile by Device, do the following:

1. Start the Setup Utility program (see “Starting the Setup Utility program” on page 55).
2. From the Setup Utility program menu, select **Security**.
3. Select **Security Profile by Device**.
4. Select the desired devices and settings and press Enter.
5. Return to the Setup Utility program menu, select **Exit**, and then **Save Settings** or **Save and exit the Setup Utility**.

**Note:** If you do not want to save the settings, select **Exit the Setup Utility without saving**.

---

## Selecting a startup device

If the computer does not start up (boot) from a device such as the CD-ROM, diskette, or hard disk as expected, use one of the following procedures to select a startup device.

### Selecting a temporary startup device

Use this procedure to startup from any boot device.

**Note:** Not all CDs, hard disks, and diskettes are startable (bootable).

1. If your computer is already on when you start this procedure, shut down the operating system and turn off the computer.
2. To open the Startup Device Menu, repeatedly press the F12 key as you turn on the computer.

**Note:** Selecting a startup device from this list does not permanently change the startup sequence; it is valid for one boot cycle only.

### Changing the startup device sequence

To view or permanently change the configured startup device sequence, do the following:

1. Start the Setup Utility program (see “Starting the Setup Utility program” on page 55).
2. Select **Startup**.
3. Select **Startup Sequence**. See the information displayed on the right side of the screen.
4. Select the devices for the Primary Startup Sequence, the Automatic Startup Sequence, and the Error Startup Sequence.
5. Select **Exit** from the Setup Utility menu and then **Save Settings** or **Save and exit the Setup Utility**.

If you have changed these settings and want to return to the default settings, select **Load Default Settings** on the Exit menu.

---

## Advanced settings

On some computer models the Advanced settings menu includes a setting to Enable/Disable HyperThreading. This feature works only with HyperThreading-aware operating systems such as Microsoft® Windows® XP. The default setting for HyperThreading is Enabled. However, if you select **Set Defaults** and are using an operating system other than Windows XP, the computer performance might be degraded. Therefore, you should always set HyperThreading to Disabled unless you are sure your operating system supports HyperThreading.



---

## Chapter 7. Symptom-to-FRU Index

The Symptom-to-FRU index lists error symptoms and possible causes. The most likely cause is listed first. Always begin with Chapter 4, "General Checkout," on page 45. This index can also be used to help you decide which FRUs to have available when servicing a computer. If you are unable to correct the problem using this index, go to "Undetermined problems" on page 90.

**Notes:**

- If you have both an error message and an incorrect audio response, diagnose the error message first.
- If you cannot run the diagnostic tests or you get a diagnostic error code when running a test, but did receive a POST error message, diagnose the POST error message first.
- If you did not receive any error message, look for a description of your error symptoms in the first part of this index.
- Check the hard disk drive jumper settings before you replace a hard disk drive.

---

### Hard disk drive boot error

A hard disk drive boot error (error codes 1962 and I999030X) can have the following causes.

Error	FRU/Action
The start-up drive is not in the boot sequence in configuration.	Check the configuration and ensure the start-up drive is in the boot sequence.
No operating system installed on the boot drive.	Install an operating system on the boot drive.
The boot sector on the start-up drive is corrupted.	The drive must be formatted, do the following: <ol style="list-style-type: none"><li>1. Attempt to back-up the data on the failing hard disk drive.</li><li>2. Using the operating systems programs, format the hard disk drive.</li></ol>
The drive is defective.	Replace the hard disk drive.

---

### Power Supply Errors

If you suspect a power problem, use the following procedures.

Check/Verify	FRU/Action
Check the following for proper installation. <ul style="list-style-type: none"><li>• Power Cord</li><li>• On/Off Switch connector</li><li>• On/Off Switch Power Supply connector</li><li>• System Board Power Supply connectors</li><li>• Microprocessor(s) connection</li></ul>	Reseat connectors
Check the power cord for continuity.	Power Cord
Check the power-on switch for continuity.	Power-on Switch

1. Turn off the computer and disconnect all external devices.
2. Power-on the computer.
3. There are three LEDs to help you determine if the power supply and system board are working correctly. The power button LED is located on the front of the computer and the two diagnostic LEDs are located on the power supply at the rear of the computer. After pressing the power button, observe the LEDs and refer to the following table:

Power LED	Green diagnostic LED	Yellow diagnostic LED	Action
ON	ON	OFF	This is the normal condition of the LEDs when the power is OK.
OFF	OFF	OFF	<ul style="list-style-type: none"> <li>• Make sure the power cord is attached to a working electrical outlet.</li> <li>• Check the power cord for continuity.</li> <li>• If the problem persists, replace the power supply.</li> </ul>
OFF (after the power button has been pressed)	ON	OFF	Replace the system board
ON	ON	ON	Replace the power supply

If the Diagnostic LEDs are in the normal condition and the problem persists, replace the system board and the microprocessor, one at a time, until the computer works correctly.

## Diagnostic error codes

Refer to the following diagnostic error codes when using the diagnostic tests. See “Running diagnostics tests” on page 50 for the specific type for information about the Diagnostic programs.

In the following index, X can represent any number.

Diagnostic Error Code	FRU/Action
<b>000-000-XXX</b> BIOS Test Passed	<b>No action</b>
<b>000-002-XXX</b> BIOS Timeout	<ol style="list-style-type: none"> <li>1. <b>Flash the system. See “Flash update procedures” on page 338</b></li> <li>2. System board</li> </ol>
<b>000-024-XXX</b> BIOS Addressing test failure	<ol style="list-style-type: none"> <li>1. <b>Flash the system. See “Flash update procedures” on page 338</b></li> <li>2. System board</li> </ol>
<b>000-025-XXX</b> BIOS Checksum Value error	<ol style="list-style-type: none"> <li>1. <b>Flash the system. See “Flash update procedures” on page 338</b></li> <li>2. Boot block</li> <li>3. System board</li> </ol>
<b>000-026-XXX</b> FLASH data error	<ol style="list-style-type: none"> <li>1. <b>Flash the system. See “Flash update procedures” on page 338</b></li> <li>2. Boot block</li> <li>3. System board</li> </ol>
<b>000-027-XXX</b> BIOS Configuration/Setup error	<ol style="list-style-type: none"> <li>1. <b>Run Setup</b></li> <li>2. Flash the system. See “Flash update procedures” on page 338</li> <li>3. Boot block</li> <li>4. System board</li> </ol>
<b>000-034-XXX</b> BIOS Buffer Allocation failure	<ol style="list-style-type: none"> <li>1. <b>Reboot the system</b></li> <li>2. Flash the system. See “Flash update procedures” on page 338</li> <li>3. Run memory test</li> <li>4. System board</li> </ol>
<b>000-035-XXX</b> BIOS Reset Condition detected	<ol style="list-style-type: none"> <li>1. <b>Flash the system. See “Flash update procedures” on page 338</b></li> <li>2. System board</li> </ol>
<b>000-036-XXX</b> BIOS Register error	<ol style="list-style-type: none"> <li>1. <b>Flash the system. See “Flash update procedures” on page 338</b></li> <li>2. Boot block</li> <li>3. System board</li> </ol>
<b>000-038-XXX</b> BIOS Extension failure	<ol style="list-style-type: none"> <li>1. <b>Flash the system. See “Flash update procedures” on page 338</b></li> <li>2. Adapter card</li> <li>3. System board</li> </ol>

Diagnostic Error Code	FRU/Action
<b>000-039-XXX</b> BIOS DMI data error	<ol style="list-style-type: none"> <li>1. Flash the system. See “Flash update procedures” on page 338</li> <li>2. System board</li> </ol>
<b>000-195-XXX</b> BIOS Test aborted by user	<b>Information only</b> Re-start the test, if necessary
<b>000-196-XXX</b> BIOS test halt, error threshold exceeded	<ol style="list-style-type: none"> <li>1. Press F3 to review the log file</li> <li>2. Re-start the test to reset the log file</li> </ol>
<b>000-197-XXX</b> BIOS test warning	<ol style="list-style-type: none"> <li>1. Make sure the component that is called out is connected and/or enabled. See Chapter 6, “Using the Setup Utility,” on page 55</li> <li>2. Re-run test</li> <li>3. Replace the component that is called out in warning statement</li> <li>4. Replace the component under test</li> </ol>
<b>000-198-XXX</b> BIOS test aborted	<ol style="list-style-type: none"> <li>1. Make sure the component that is called out is connected and/or enabled. See Chapter 6, “Using the Setup Utility,” on page 55</li> <li>2. Flash the system and retest. See “Flash update procedures” on page 338</li> <li>3. Go to “Undetermined problems” on page 90</li> </ol>
<b>000-199-XXX</b> BIOS test failed, cause unknown	<ol style="list-style-type: none"> <li>1. Go to “Undetermined problems” on page 90</li> <li>2. Flash the system and re-test</li> <li>3. Replace component under function test</li> </ol>
<b>000-250-XXX</b> BIOS APM failure	<ol style="list-style-type: none"> <li>1. Flash the system. See “Flash update procedures” on page 338</li> <li>2. System board</li> </ol>
<b>000-270-XXX</b> BIOS ACPI failure	<ol style="list-style-type: none"> <li>1. Flash the system. See “Flash update procedures” on page 338</li> <li>2. System board</li> </ol>
<b>001-000-XXX</b> System Test Passed	<b>No action</b>
<b>001-00X-XXX</b> System Error	<b>System board</b>
<b>001-01X-XXX</b> System Error	<b>System board</b>
<b>001-024-XXX</b> System Addressing test failure	<b>System board</b>
<b>001-025-XXX</b> System Checksum Value error	<ol style="list-style-type: none"> <li>1. Flash the system. See “Flash update procedures” on page 338</li> <li>2. System board</li> </ol>
<b>001-026-XXX</b> System FLASH data error	<ol style="list-style-type: none"> <li>1. Flash the system. See “Flash update procedures” on page 338</li> <li>2. System board</li> </ol>

Diagnostic Error Code	FRU/Action
<b>001-027-XXX</b> System Configuration/Setup error	<ol style="list-style-type: none"> <li>1. <b>Run Setup</b></li> <li>2. Flash the system. See “Flash update procedures” on page 338</li> <li>3. System board</li> </ol>
<b>001-032-XXX</b> System Device Controller failure	<b>System board</b>
<b>001-034-XXX</b> System Device Buffer Allocation failure	<ol style="list-style-type: none"> <li>1. <b>Reboot the system</b></li> <li>2. Flash the system. See “Flash update procedures” on page 338</li> <li>3. Run memory test</li> <li>4. System board</li> </ol>
<b>001-035-XXX</b> System Device Reset condition detected	<b>System board</b>
<b>001-036-XXX</b> System Register error	<b>System board</b>
<b>001-038-XXX</b> System Extension failure	<ol style="list-style-type: none"> <li>1. <b>Adapter card</b></li> <li>2. System board</li> </ol>
<b>001-039-XXX</b> System DMI data structure error	<ol style="list-style-type: none"> <li>1. <b>Flash the system. See “Flash update procedures” on page 338</b></li> <li>2. System board</li> </ol>
<b>001-040-XXX</b> System IRQ failure	<ol style="list-style-type: none"> <li>1. <b>Power-off/on system and re-test</b></li> <li>2. System board</li> </ol>
<b>001-041-XXX</b> System DMA failure	<ol style="list-style-type: none"> <li>1. <b>Power-off/on system and re-test</b></li> <li>2. System board</li> </ol>
<b>001-195-XXX</b> System Test aborted by user	<b>Information only</b> Re-start the test, if necessary
<b>001-196-XXX</b> System test halt, error threshold exceeded	<ol style="list-style-type: none"> <li>1. <b>Press F3 to review the log file</b></li> <li>2. Re-start the test to reset the log file</li> </ol>
<b>001-197-XXX</b> System test warning	<ol style="list-style-type: none"> <li>1. <b>Make sure the component that is called out is connected and/or enabled. See Chapter 6, “Using the Setup Utility,” on page 55</b></li> <li>2. Re-run test</li> <li>3. Replace the component that is called out in warning statement</li> <li>4. Replace the component under test</li> </ol>
<b>001-198-XXX</b> System test aborted	<ol style="list-style-type: none"> <li>1. <b>If a component is called out, make sure it is connected and/or enabled. See Chapter 6, “Using the Setup Utility,” on page 55</b></li> <li>2. Flash the system and retest. See “Flash update procedures” on page 338</li> <li>3. Go to “Undetermined problems” on page 90</li> </ol>

<b>Diagnostic Error Code</b>	<b>FRU/Action</b>
<b>001-199-XXX</b> System test failed, cause unknown	<ol style="list-style-type: none"> <li>1. Go to “Undetermined problems” on page 90</li> <li>2. Flash the system and re-test</li> <li>3. Replace component under function test</li> </ol>
<b>001-250-XXX</b> System ECC error	<b>System board</b>
<b>001-254-XXX</b> <b>001-255-XXX</b> <b>001-256-XXX</b> <b>001-257-XXX</b> System DMA error	<b>System board</b>
<b>001-260-XXX</b> <b>001-264-XXX</b> System IRQ error	<b>System board</b>
<b>001-268-XXX</b> System IRQ1 failure	<ol style="list-style-type: none"> <li>1. <b>Device on IRQ1</b></li> <li>2. System board</li> </ol>
<b>001-269-XXX</b> System IRQ2 failure	<ol style="list-style-type: none"> <li>1. <b>Device on IRQ2</b></li> <li>2. System board</li> </ol>
<b>001-270-XXX</b> System IRQ3 failure	<ol style="list-style-type: none"> <li>1. <b>Device on IRQ3</b></li> <li>2. System board</li> </ol>
<b>001-271-XXX</b> System IRQ4 failure	<ol style="list-style-type: none"> <li>1. <b>Device on IRQ4</b></li> <li>2. System board</li> </ol>
<b>001-272-XXX</b> System IRQ5 failure	<ol style="list-style-type: none"> <li>1. <b>Device on IRQ5</b></li> <li>2. System board</li> </ol>
<b>001-273-XXX</b> System IRQ6 (diskette drive) failure	<ol style="list-style-type: none"> <li>1. <b>Diskette Cable</b></li> <li>2. Diskette drive</li> <li>3. System board</li> </ol>
<b>001-274-XXX</b> System IRQ7 failure	<ol style="list-style-type: none"> <li>1. <b>Device on IRQ7</b></li> <li>2. System board</li> </ol>
<b>001-275-XXX</b> System IRQ8 failure	<ol style="list-style-type: none"> <li>1. <b>Device on IRQ8</b></li> <li>2. System board</li> </ol>
<b>001-276-XXX</b> System IRQ9 failure	<ol style="list-style-type: none"> <li>1. <b>Device on IRQ9</b></li> <li>2. System board</li> </ol>
<b>001-277-XXX</b> System IRQ10 failure	<ol style="list-style-type: none"> <li>1. <b>Device on IRQ10</b></li> <li>2. System board</li> </ol>
<b>001-278-XXX</b> System IRQ11 failure	<ol style="list-style-type: none"> <li>1. <b>Device on IRQ11</b></li> <li>2. System board</li> </ol>
<b>001-279-XXX</b> System IRQ12 failure	<ol style="list-style-type: none"> <li>1. <b>Device on IRQ12</b></li> <li>2. System board</li> </ol>
<b>001-280-XXX</b> System IRQ13 failure	<ol style="list-style-type: none"> <li>1. <b>Device on IRQ13</b></li> <li>2. System board</li> </ol>

<b>Diagnostic Error Code</b>	<b>FRU/Action</b>
<b>001-281-XXX</b> System IRQ14 (hard disk drive) failure	<ol style="list-style-type: none"> <li>1. <b>Hard disk drive cable</b></li> <li>2. Hard disk drive</li> <li>3. System board</li> </ol>
<b>001-282-XXX</b> System IRQ15 failure	<ol style="list-style-type: none"> <li>1. <b>Device on IRQ15</b></li> <li>2. System board</li> </ol>
<b>001-286-XXX</b> <b>001-287-XXX</b> <b>001-288-XXX</b> System Timer failure	<b>System board</b>
<b>001-292-XXX</b> System CMOS RAM error	<ol style="list-style-type: none"> <li>1. <b>Run Setup and re-test</b></li> <li>2. System board</li> </ol>
<b>001-293-XXX</b> System CMOS Battery	<ol style="list-style-type: none"> <li>1. <b>Battery</b></li> <li>2. System board</li> </ol>
<b>001-298-XXX</b> System RTC date/time update failure	<ol style="list-style-type: none"> <li>1. <b>Flash the system. See “Flash update procedures” on page 338</b></li> <li>2. System board</li> </ol>
<b>001-299-XXX</b> System RTC periodic interrupt failure	<b>System board</b>
<b>001-300-XXX</b> System RTC Alarm failure	<b>System board</b>
<b>001-301-XXX</b> System RTC Century byte error	<ol style="list-style-type: none"> <li>1. <b>Flash the system. See “Flash update procedures” on page 338</b></li> <li>2. System board</li> </ol>
<b>005-000-XXX</b> Video Test Passed	<b>No action</b>
<b>005-00X-XXX</b> Video error	<ol style="list-style-type: none"> <li>1. <b>Video card, if installed</b></li> <li>2. System board</li> </ol>
<b>005-010-XXX</b> <b>005-011-XXX</b> <b>005-012-XXX</b> <b>005-013-XXX</b> Video Signal failure	<ol style="list-style-type: none"> <li>1. <b>Video card, if installed</b></li> <li>2. System board</li> </ol>
<b>005-016-XXX</b> Video Simple Pattern test failure	<ol style="list-style-type: none"> <li>1. <b>Video Ram</b></li> <li>2. Video card, if installed</li> <li>3. System board</li> </ol>
<b>005-024-XXX</b> Video Addressing test failure	<ol style="list-style-type: none"> <li>1. <b>Video card, if installed</b></li> <li>2. System board</li> </ol>
<b>005-025-XXX</b> Video Checksum Value error	<ol style="list-style-type: none"> <li>1. <b>Video card, if installed</b></li> <li>2. System board</li> </ol>
<b>005-027-XXX</b> Video Configuration/Setup error	<ol style="list-style-type: none"> <li>1. <b>Run Setup</b></li> <li>2. Video drivers update</li> <li>3. Video card, if installed</li> <li>4. System board</li> </ol>

Diagnostic Error Code	FRU/Action
<b>005-031-XXX</b> Video Device Cable failure	<ol style="list-style-type: none"> <li>1. <b>Video cable</b></li> <li>2. Monitor</li> <li>3. Video card, if installed</li> <li>4. System board</li> </ol>
<b>005-032-XXX</b> Video Device Controller failure	<ol style="list-style-type: none"> <li>1. <b>Video card, if installed</b></li> <li>2. System board</li> </ol>
<b>005-036-XXX</b> Video Register error	<ol style="list-style-type: none"> <li>1. <b>Video card, if installed</b></li> <li>2. System board</li> </ol>
<b>005-038-XXX</b> System BIOS extension failure	<ol style="list-style-type: none"> <li>1. <b>Video card, if installed</b></li> <li>2. System board</li> </ol>
<b>005-040-XXX</b> Video IRQ failure	<ol style="list-style-type: none"> <li>1. <b>Video card, if installed</b></li> <li>2. System board</li> </ol>
<b>005-195-XXX</b> Video Test aborted by user	<b>Information only</b> Re-start the test, if necessary
<b>005-196-XXX</b> Video test halt, error threshold exceeded	<ol style="list-style-type: none"> <li>1. <b>Press F3 to review the log file</b></li> <li>2. Re-start the test to reset the log file</li> </ol>
<b>005-197-XXX</b> Video test warning	<ol style="list-style-type: none"> <li>1. <b>Make sure the component that is called out is connected and/or enabled. See Chapter 6, "Using the Setup Utility," on page 55</b></li> <li>2. Re-run test</li> <li>3. Replace the component called out in warning statement</li> <li>4. Replace the component under test</li> </ol>
<b>005-198-XXX</b> Video test aborted	<ol style="list-style-type: none"> <li>1. <b>If a component is called out, make sure it is connected and/or enabled. See Chapter 6, "Using the Setup Utility," on page 55</b></li> <li>2. Flash the system and re-test. See "Flash update procedures" on page 338</li> <li>3. Go to "Undetermined problems" on page 90</li> </ol>
<b>005-199-XXX</b> Video test failed, cause unknown	<ol style="list-style-type: none"> <li>1. Go to "Undetermined problems" on page 90</li> <li>2. Flash the system and re-test. See "Flash update procedures" on page 338</li> <li>3. Replace component under function test</li> </ol>
<b>005-2XX-XXX</b> <b>005-3XX-XXX</b> Video subsystem error	<ol style="list-style-type: none"> <li>1. <b>Video card, if installed</b></li> <li>2. System board</li> </ol>
<b>006-000-XXX</b> Diskette interface Test Passed	<b>No action</b>
<b>006-0XX-XXX</b> Diskette interface error	<ol style="list-style-type: none"> <li>1. <b>Diskette drive Cable</b></li> <li>2. Diskette drive</li> <li>3. System board</li> </ol>



<b>Diagnostic Error Code</b>	<b>FRU/Action</b>
<b>006-195-XXX</b> Diskette interface Test aborted by user	<b>Information only</b> Re-start the test, if necessary
<b>006-196-XXX</b> Diskette interface test halt, error threshold exceeded	<ol style="list-style-type: none"> <li>1. <b>Press F3 to review the log file</b></li> <li>2. Re-start the test to reset the log file</li> </ol>
<b>006-197-XXX</b> Diskette interface test warning	<ol style="list-style-type: none"> <li>1. <b>If a component is called out, make sure it is connected and/or enabled</b></li> <li>2. Re-run test</li> <li>3. Replace the component that is called out in warning statement</li> <li>4. Replace the component under test</li> </ol>
<b>006-198-XXX</b> Diskette interface test aborted	<ol style="list-style-type: none"> <li>1. <b>If a component is called out, make sure it is connected and/or enabled</b></li> <li>2. Flash the system and re-test. See "Flash update procedures" on page 338</li> <li>3. Go to "Undetermined problems" on page 90</li> </ol>
<b>006-199-XXX</b> Diskette interface test failed, cause unknown	<ol style="list-style-type: none"> <li>1. Go to "Undetermined problems" on page 90</li> <li>2. Flash the system and re-test</li> <li>3. Replace component under function test</li> </ol>
<b>006-25X-XXX</b> Diskette interface Error	<ol style="list-style-type: none"> <li>1. <b>Diskette drive cable</b></li> <li>2. Diskette drive</li> <li>3. System board</li> </ol>
<b>011-000-XXX</b> Serial port Interface Test Passed	<b>No action</b>
<b>011-001-XXX</b> Serial port Presence	<ol style="list-style-type: none"> <li>1. <b>Remove external serial device, if present</b></li> <li>2. Run setup, enable port</li> <li>3. System board</li> </ol>
<b>011-002-XXX</b> <b>011-003-XXX</b> Serial port Timeout/Parity error	<b>System board</b>
<b>011-013-XXX</b> <b>011-014-XXX</b> Serial port Control Signal/Loopback test failure	<b>System board</b>
<b>011-015-XXX</b> Serial port External Loopback failure	<ol style="list-style-type: none"> <li>1. <b>Wrap plug</b></li> <li>2. System board</li> </ol>
<b>011-027-XXX</b> Serial port Configuration/Setup error	<ol style="list-style-type: none"> <li>1. <b>Run Setup, enable port</b></li> <li>2. Flash the system. See "Flash update procedures" on page 338</li> <li>3. System board</li> </ol>
<b>011-03X-XXX</b> <b>011-04X-XXX</b> Serial port failure	<b>System board</b>

Diagnostic Error Code	FRU/Action
<b>011-195-XXX</b> Serial port Test aborted by user	<b>Information only</b> Re-start the test, if necessary
<b>011-196-XXX</b> Serial port test halt, error threshold exceeded	<ol style="list-style-type: none"> <li>1. <b>Press F3 to review the log file</b></li> <li>2. Re-start the test to reset the log file</li> </ol>
<b>011-197-XXX</b> Serial port test warning	<ol style="list-style-type: none"> <li>1. <b>Make sure the component that is called out is connected and/or enabled. See Chapter 6, "Using the Setup Utility," on page 55</b></li> <li>2. Re-run test</li> <li>3. Replace the component that is called out in warning statement</li> <li>4. Replace the component under test</li> </ol>
<b>011-198-XXX</b> Serial port test aborted	<ol style="list-style-type: none"> <li>1. <b>If a component is called out, make sure it is connected and/or enabled. See Chapter 6, "Using the Setup Utility," on page 55</b></li> <li>2. Flash the system and re-test. See "Flash update procedures" on page 338</li> <li>3. Go to "Undetermined problems" on page 90</li> </ol>
<b>011-199-XXX</b> Serial port test failed, cause unknown	<ol style="list-style-type: none"> <li>1. Go to "Undetermined problems" on page 90</li> <li>2. Flash the system and re-test. See "Flash update procedures" on page 338</li> <li>3. Replace component under function test</li> </ol>
<b>011-2XX-XXX</b> Serial port signal failure	<ol style="list-style-type: none"> <li>1. <b>External serial device</b></li> <li>2. System board</li> </ol>
<b>014-000-XXX</b> Parallel port Interface Test Passed	<b>No action</b>
<b>014-001-XXX</b> Parallel port Presence	<ol style="list-style-type: none"> <li>1. <b>Remove external parallel device, if present</b></li> <li>2. Run setup, enable port</li> <li>3. System board</li> </ol>
<b>014-002-XXX</b> <b>014-003-XXX</b> Parallel port Timeout/Parity error	<b>System board</b>
<b>014-013-XXX</b> <b>014-014-XXX</b> Parallel port Control Signal/Loopback test failure	<b>System board</b>
<b>014-015-XXX</b> Parallel port External Loopback failure	<ol style="list-style-type: none"> <li>1. <b>Wrap plug</b></li> <li>2. System board</li> </ol>
<b>014-027-XXX</b> Parallel port Configuration/Setup error	<ol style="list-style-type: none"> <li>1. <b>Run Setup, enable port</b></li> <li>2. Flash the system. See "Flash update procedures" on page 338</li> <li>3. System board</li> </ol>

Diagnostic Error Code	FRU/Action
014-03X-XXX 014-04X-XXX Parallel port failure	System board
014-195-XXX Parallel port Test aborted by user	Information only Re-start the test, if necessary
014-196-XXX Parallel port test halt, error threshold exceeded	<ol style="list-style-type: none"> <li>1. Press F3 to review the log file</li> <li>2. Re-start the test to reset the log file</li> </ol>
014-197-XXX Parallel port test warning	<ol style="list-style-type: none"> <li>1. Make sure the component that is called out is connected and/or enabled. See Chapter 6, "Using the Setup Utility," on page 55</li> <li>2. Re-run test</li> <li>3. Replace the component that is called out in warning statement</li> <li>4. Replace the component under test</li> </ol>
014-198-XXX Parallel port test aborted	<ol style="list-style-type: none"> <li>1. If a component is called out, make sure it is connected and/or enabled</li> <li>2. Flash the system and re-test. See "Flash update procedures" on page 338</li> <li>3. Go to "Undetermined problems" on page 90</li> </ol>
014-199-XXX Parallel port test failed, cause unknown	<ol style="list-style-type: none"> <li>1. Go to "Undetermined problems" on page 90</li> <li>2. Flash the system and re-test. See "Flash update procedures" on page 338</li> <li>3. Replace component under function test</li> </ol>
014-2XX-XXX 014-3XX-XXX Parallel port failure	<ol style="list-style-type: none"> <li>1. External parallel device</li> <li>2. System board</li> </ol>
015-000-XXX USB port Interface Test Passed	No action
015-001-XXX USB port Presence	<ol style="list-style-type: none"> <li>1. Remove USB device(s) and re-test</li> <li>2. System board</li> </ol>
015-002-XXX USB port Timeout	<ol style="list-style-type: none"> <li>1. Remove USB device(s) and re-test</li> <li>2. System board</li> </ol>
015-015-XXX USB port External Loopback failure	<ol style="list-style-type: none"> <li>1. Remove USB device(s) and re-test</li> <li>2. System board</li> </ol>
015-027-XXX USB port Configuration/Setup error	<ol style="list-style-type: none"> <li>1. Flash the system. See "Flash update procedures" on page 338</li> <li>2. System board</li> </ol>
015-032-XXX USB port Device Controller failure	System board

Diagnostic Error Code	FRU/Action
<b>015-034-XXX</b> USB port buffer allocation failure	<ol style="list-style-type: none"> <li>1. <b>Reboot the system</b></li> <li>2. Flash the system and re-test. See "Flash update procedures" on page 338</li> <li>3. Run memory test</li> <li>4. System board</li> </ol>
<b>015-035-XXX</b> USB port Reset condition detected	<ol style="list-style-type: none"> <li>1. <b>Remove USB device(s) and re-test</b></li> <li>2. System board</li> </ol>
<b>015-036-XXX</b> USB port Register error	<b>System board</b>
<b>015-040-XXX</b> USB port IRQ failure	<ol style="list-style-type: none"> <li>1. <b>Run setup and check for conflicts</b></li> <li>2. Flash the system. See "Flash update procedures" on page 338</li> <li>3. System board</li> </ol>
<b>015-195-XXX</b> USB port Test aborted by user	<b>Information only</b> Re-start the test, if necessary
<b>015-196-XXX</b> USB port test halt, error threshold exceeded	<ol style="list-style-type: none"> <li>1. <b>Press F3 to review the log file</b></li> <li>2. Re-start the test to reset the log file</li> </ol>
<b>015-197-XXX</b> USB port test warning	<ol style="list-style-type: none"> <li>1. <b>Make sure the component that is called out is connected and/or enabled. See Chapter 6, "Using the Setup Utility," on page 55</b></li> <li>2. Re-run test</li> <li>3. Replace the component that is called out in warning statement</li> <li>4. Replace the component under test</li> </ol>
<b>015-198-XXX</b> USB port test aborted	<ol style="list-style-type: none"> <li>1. <b>If a component is called out, make sure it is connected and/or enabled. See Chapter 6, "Using the Setup Utility," on page 55</b></li> <li>2. Flash the system and re-test. See "Flash update procedures" on page 338</li> <li>3. Go to "Undetermined problems" on page 90</li> </ol>
<b>015-199-XXX</b> USB port test failed, cause unknown	<ol style="list-style-type: none"> <li>1. Go to "Undetermined problems" on page 90</li> <li>2. Flash the system and re-test. See "Flash update procedures" on page 338</li> <li>3. Replace component under function test</li> </ol>
<b>018-000-XXX</b> PCI Card Test Passed	<b>No action</b>
<b>018-0XX-XXX</b> PCI Card Failure	<ol style="list-style-type: none"> <li>1. <b>Riser card, if installed</b></li> <li>2. System board</li> </ol>
<b>018-195-XXX</b> PCI Card Test aborted by user	<ol style="list-style-type: none"> <li>1. <b>PCI card</b></li> <li>2. <b>Information only</b> Re-start the test, if necessary</li> </ol>

Diagnostic Error Code	FRU/Action
<b>018-196-XXX</b> PCI Card test halt, error threshold exceeded	<ol style="list-style-type: none"> <li>1. Press F3 to review the log file</li> <li>2. Re-start the test to reset the log file</li> </ol>
<b>018-197-XXX</b> PCI Card test warning	<ol style="list-style-type: none"> <li>1. Make sure the component that is called out is connected and/or enabled. See Chapter 6, "Using the Setup Utility," on page 55</li> <li>2. Re-run test</li> <li>3. Replace the component that is called out in warning statement</li> <li>4. Replace the component under test</li> </ol>
<b>018-198-XXX</b> PCI Card test aborted	<ol style="list-style-type: none"> <li>1. If a component is called out, make sure it is connected and/or enabled. See Chapter 6, "Using the Setup Utility," on page 55</li> <li>2. Flash the system and re-test. See "Flash update procedures" on page 338</li> <li>3. Go to "Undetermined problems" on page 90</li> </ol>
<b>018-199-XXX</b> PCI Card test failed, cause unknown	<ol style="list-style-type: none"> <li>1. Go to "Undetermined problems" on page 90</li> <li>2. Flash the system and re-test. See "Flash update procedures" on page 338</li> <li>3. Replace component under function test</li> </ol>
<b>018-250-XXX</b> PCI Card Services error	<ol style="list-style-type: none"> <li>1. PCI card</li> <li>2. Riser card, if installed</li> <li>3. System board</li> </ol>
<b>020-000-XXX</b> PCI Interface Test Passed	<b>No action</b>
<b>020-0XX-XXX</b> PCI Interface error	<ol style="list-style-type: none"> <li>1. PCI card</li> <li>2. Riser card, if installed</li> <li>3. System board</li> </ol>
<b>020-195-XXX</b> PCI Test aborted by user	<b>Information only</b> Re-start the test, if necessary
<b>020-196-XXX</b> PCI test halt, error threshold exceeded	<ol style="list-style-type: none"> <li>1. Press F3 to review the log file</li> <li>2. Re-start the test to reset the log file</li> </ol>
<b>020-197-XXX</b> PCI test warning	<ol style="list-style-type: none"> <li>1. Make sure the component that is called out is connected and/or enabled. See Chapter 6, "Using the Setup Utility," on page 55</li> <li>2. Re-run test</li> <li>3. Replace the component that is called out in warning statement</li> <li>4. Replace the component under test</li> </ol>

Diagnostic Error Code	FRU/Action
020-198-XXX PCI test aborted	<ol style="list-style-type: none"> <li>1. <b>If a component is called out, make sure it is connected and/or enabled. See Chapter 6, "Using the Setup Utility," on page 55</b></li> <li>2. Flash the system and re-test. See "Flash update procedures" on page 338</li> <li>3. Go to "Undetermined problems" on page 90</li> </ol>
020-199-XXX PCI test failed, cause unknown	<ol style="list-style-type: none"> <li>1. Go to "Undetermined problems" on page 90</li> <li>2. Flash the system and re-test. See "Flash update procedures" on page 338</li> <li>3. Replace component under function test</li> </ol>
020-262-XXX PCI system error	<ol style="list-style-type: none"> <li>1. PCI card</li> <li>2. Riser card, if installed</li> <li>3. System board</li> </ol>
025-000-XXX IDE interface Test Passed	<b>No action</b>
025-00X-XXX 025-01X-XXX IDE interface failure	<ol style="list-style-type: none"> <li>1. <b>IDE signal cable</b></li> <li>2. Check power supply voltages</li> <li>3. Reseat IDE signal cable</li> <li>4. IDE device</li> <li>5. System board</li> </ol>
025-027-XXX IDE interface Configuration/Setup error	<ol style="list-style-type: none"> <li>1. <b>IDE signal cable</b></li> <li>2. Flash the system. See "Flash update procedures" on page 338</li> <li>3. Reseat IDE signal cable</li> <li>4. IDE device</li> <li>5. System board</li> </ol>
025-02X-XXX 025-03X-XXX 025-04X-XXX IDE Interface failure	<ol style="list-style-type: none"> <li>1. <b>IDE signal cable</b></li> <li>2. Check power supply</li> <li>3. Reseat IDE signal cable</li> <li>4. IDE device</li> <li>5. System board</li> </ol>
025-195-XXX IDE interface Test aborted by user	<b>Information only</b> Re-start the test, if necessary
025-196-XXX IDE interface test halt, error threshold exceeded	<ol style="list-style-type: none"> <li>1. <b>Press F3 to review the log file</b></li> <li>2. Re-start the test to reset the log file</li> </ol>
025-197-XXX IDE interface test warning	<ol style="list-style-type: none"> <li>1. <b>Make sure the component that is called out is connected and/or enabled. See Chapter 6, "Using the Setup Utility," on page 55</b></li> <li>2. Re-run test</li> <li>3. Replace the component that is called out in warning statement</li> <li>4. Replace the component under test</li> </ol>

Diagnostic Error Code	FRU/Action
<b>025-198-XXX</b> IDE interface test aborted	<ol style="list-style-type: none"> <li>1. <b>If a component is called out, make sure it is connected and/or enabled. See Chapter 6, "Using the Setup Utility," on page 55</b></li> <li>2. Flash the system and re-test. See "Flash update procedures" on page 338</li> <li>3. Go to "Undetermined problems" on page 90</li> </ol>
<b>025-199-XXX</b> IDE interface test failed, cause unknown	<ol style="list-style-type: none"> <li>1. Go to "Undetermined problems" on page 90</li> <li>2. Flash the system and re-test. See "Flash update procedures" on page 338</li> <li>3. Replace component under function test</li> </ol>
<b>030-000-XXX</b> SCSI interface Test Passed	<b>No action</b>
<b>030-00X-XXX</b> <b>030-01X-XXX</b> SCSI interface failure	<ol style="list-style-type: none"> <li>1. <b>SCSI signal cable</b></li> <li>2. Check power supply</li> <li>3. SCSI device</li> <li>4. SCSI adapter card, if installed</li> <li>5. System board</li> </ol>
<b>030-027-XXX</b> SCSI interface Configuration/Setup error	<ol style="list-style-type: none"> <li>1. <b>SCSI signal cable</b></li> <li>2. Flash the system. See "Flash update procedures" on page 338</li> <li>3. SCSI device</li> <li>4. SCSI adapter card, if installed</li> <li>5. System board</li> </ol>
<b>030-03X-XXX</b> <b>030-04X-XXX</b> SCSI interface error	<ol style="list-style-type: none"> <li>1. <b>SCSI signal cable</b></li> <li>2. Check power supply</li> <li>3. SCSI device</li> <li>4. SCSI adapter card, if installed</li> <li>5. System board</li> </ol>
<b>030-195-XXX</b> SCSI interface Test aborted by user	<b>Information only</b> Re-start the test, if necessary
<b>030-196-XXX</b> SCSI interface test halt, error threshold exceeded	<ol style="list-style-type: none"> <li>1. <b>Press F3 to review the log file</b></li> <li>2. Re-start the test to reset the log file</li> </ol>
<b>030-197-XXX</b> SCSI interface test warning	<ol style="list-style-type: none"> <li>1. <b>Make sure the component that is called out is connected and/or enabled. See Chapter 6, "Using the Setup Utility," on page 55</b></li> <li>2. Re-run test</li> <li>3. Replace the component that is called out in warning statement</li> <li>4. Replace the component under test</li> </ol>

Diagnostic Error Code	FRU/Action
<b>030-198-XXX</b> SCSI interface test aborted	<ol style="list-style-type: none"> <li>1. <b>If a component is called out, make sure it is connected and/or enabled. See Chapter 6, "Using the Setup Utility," on page 55</b></li> <li>2. Flash the system and re-test. See "Flash update procedures" on page 338</li> <li>3. Go to "Undetermined problems" on page 90</li> </ol>
<b>030-199-XXX</b> SCSI interface test failed, cause unknown	<ol style="list-style-type: none"> <li>1. Go to "Undetermined problems" on page 90</li> <li>2. Flash the system and re-test. See "Flash update procedures" on page 338</li> <li>3. Replace component under function test</li> </ol>
<b>035-000-XXX</b> RAID interface Test Passed	<b>No action</b>
<b>035-0XX-XXX</b> RAID interface Failure	<ol style="list-style-type: none"> <li>1. <b>RAID signal cable</b></li> <li>2. RAID device</li> <li>3. RAID adapter card, if installed</li> <li>4. System board</li> </ol>
<b>035-195-XXX</b> RAID interface Test aborted by user	<b>Information only</b> Re-start the test, if necessary
<b>035-196-XXX</b> RAID interface test halt, error threshold exceeded	<ol style="list-style-type: none"> <li>1. <b>Press F3 to review the log file</b></li> <li>2. Re-start the test to reset the log file</li> </ol>
<b>035-197-XXX</b> RAID interface test warning	<ol style="list-style-type: none"> <li>1. <b>Make sure the component that is called out is connected and/or enabled. See Chapter 6, "Using the Setup Utility," on page 55</b></li> <li>2. Re-run test</li> <li>3. Replace the component that is called out in warning statement</li> <li>4. Replace the component under test</li> </ol>
<b>035-198-XXX</b> RAID interface test aborted	<ol style="list-style-type: none"> <li>1. <b>If a component is called out, make sure it is connected and/or enabled. See Chapter 6, "Using the Setup Utility," on page 55</b></li> <li>2. Flash the system and re-test. See "Flash update procedures" on page 338</li> <li>3. Go to "Undetermined problems" on page 90</li> </ol>
<b>035-199-XXX</b> RAID interface test failed, cause unknown	<ol style="list-style-type: none"> <li>1. See "Undetermined problems" on page 90</li> <li>2. Flash the system and re-test. See "Flash update procedures" on page 338</li> <li>3. Replace component under function test</li> </ol>
<b>071-000-XXX</b> Audio port Interface Test Passed	<b>No action</b>



Diagnostic Error Code	FRU/Action
071-00X-XXX 071-01X-XXX 071-02X-XXX Audio port error	<ol style="list-style-type: none"> <li>1. <b>Run Setup</b></li> <li>2. Flash the system. See "Flash update procedures" on page 338</li> <li>3. System board</li> </ol>
071-03X-XXX Audio port failure	<ol style="list-style-type: none"> <li>1. <b>Speakers</b></li> <li>2. Microphone</li> <li>3. Audio card, if installed</li> <li>4. System board</li> </ol>
071-04X-XXX Audio port failure	<ol style="list-style-type: none"> <li>1. <b>Run Setup</b></li> <li>2. Audio card, if installed</li> <li>3. System board</li> </ol>
071-195-XXX Audio port Test aborted by user	<p><b>Information only</b> Re-start the test, if necessary</p>
071-196-XXX Audio port test halt, error threshold exceeded	<ol style="list-style-type: none"> <li>1. <b>Press F3 to review the log file</b></li> <li>2. Re-start the test to reset the log file</li> </ol>
071-197-XXX Audio port test warning	<ol style="list-style-type: none"> <li>1. <b>Make sure the component that is called out is connected and/or enabled. See Chapter 6, "Using the Setup Utility," on page 55</b></li> <li>2. Re-run test</li> <li>3. Replace the component that is called out in warning statement</li> <li>4. Replace the component under test</li> </ol>
071-198-XXX Audio port test aborted	<ol style="list-style-type: none"> <li>1. <b>If a component is called out, make sure it is connected and/or enabled. See Chapter 6, "Using the Setup Utility," on page 55</b></li> <li>2. Flash the system and re-test. See "Flash update procedures" on page 338</li> <li>3. Go to "Undetermined problems" on page 90</li> </ol>
071-199-XXX Audio port test failed, cause unknown	<ol style="list-style-type: none"> <li>1. See "Undetermined problems" on page 90</li> <li>2. Flash the system and re-test. See "Flash update procedures" on page 338</li> <li>3. Replace component under function test</li> </ol>
071-25X-XXX Audio port failure	<ol style="list-style-type: none"> <li>1. <b>Speakers</b></li> <li>2. Audio card, if installed</li> <li>3. System board</li> </ol>
080-000-XXX Game Port interface Test Passed	<b>No action</b>
080-XXX-XXX Game Port interface Error	<ol style="list-style-type: none"> <li>1. <b>Remove the game port device and re-test the system</b></li> </ol>
080-195-XXX Game Port interface Test aborted by user	<p><b>Information only</b> Re-start the test, if necessary</p>

Diagnostic Error Code	FRU/Action
<b>080-196-XXX</b> Game Port interface test halt, error threshold exceeded	<ol style="list-style-type: none"> <li>1. <b>Press F3 to review the log file</b></li> <li>2. Re-start the test to reset the log file</li> </ol>
<b>080-197-XXX</b> Game Port interface test warning	<ol style="list-style-type: none"> <li>1. <b>Make sure the component that is called out is connected and/or enabled. See Chapter 6, "Using the Setup Utility," on page 55</b></li> <li>2. Re-run test</li> <li>3. Replace the component that is called out in warning statement</li> <li>4. Replace the component under test</li> </ol>
<b>080-198-XXX</b> Game Port interface test aborted	<ol style="list-style-type: none"> <li>1. <b>If a component is called out, make sure it is connected and/or enabled. See Chapter 6, "Using the Setup Utility," on page 55</b></li> <li>2. Flash the system and re-test. See "Flash update procedures" on page 338</li> <li>3. Go to "Undetermined problems" on page 90</li> </ol>
<b>080-199-XXX</b> Game Port interface test failed, cause unknown	<ol style="list-style-type: none"> <li>1. See "Undetermined problems" on page 90</li> <li>2. Flash the system and re-test. See "Flash update procedures" on page 338</li> <li>3. Replace component under function test</li> </ol>
<b>086-000-XXX</b> Mouse Port interface Test Passed	<b>No action</b>
<b>086-001-XXX</b> Mouse Port interface Presence	<ol style="list-style-type: none"> <li>1. <b>Mouse</b></li> <li>2. System board</li> </ol>
<b>086-032-XXX</b> Mouse Port interface Device controller failure	<ol style="list-style-type: none"> <li>1. <b>Mouse</b></li> <li>2. System board</li> </ol>
<b>086-035-XXX</b> Mouse Port interface Reset	<ol style="list-style-type: none"> <li>1. <b>Mouse</b></li> <li>2. System board</li> </ol>
<b>086-040-XXX</b> Mouse Port interface IRQ failure	<ol style="list-style-type: none"> <li>1. <b>Run Setup</b></li> <li>2. Mouse</li> <li>3. System board</li> </ol>
<b>086-195-XXX</b> Mouse Port interface Test aborted by user	<b>Information only</b> Re-start the test, if necessary
<b>086-196-XXX</b> Mouse Port interface test halt, error threshold exceeded	<ol style="list-style-type: none"> <li>1. <b>Press F3 to review the log file</b></li> <li>2. Re-start the test to reset the log file</li> </ol>

Diagnostic Error Code	FRU/Action
086-197-XXX Mouse Port interface test warning	<ol style="list-style-type: none"> <li>1. <b>Make sure the component that is called out is connected and/or enabled. See Chapter 6, "Using the Setup Utility," on page 55</b></li> <li>2. Re-run test</li> <li>3. Replace the component that is called out in warning statement</li> <li>4. Replace the component under test</li> </ol>
086-198-XXX Mouse Port interface test aborted	<ol style="list-style-type: none"> <li>1. <b>If a component is called out, make sure it is connected and/or enabled. See Chapter 6, "Using the Setup Utility," on page 55</b></li> <li>2. Flash the system and re-test. See "Flash update procedures" on page 338</li> <li>3. Go to "Undetermined problems" on page 90</li> </ol>
086-199-XXX Mouse Port interface test failed, cause unknown	<ol style="list-style-type: none"> <li>1. See "Undetermined problems" on page 90</li> <li>2. Flash the system and re-test. See "Flash update procedures" on page 338</li> <li>3. Replace component under function test</li> </ol>
089-000-XXX Microprocessor Test Passed	<b>No action</b>
089-XXX-XXX Microprocessor failure	<ol style="list-style-type: none"> <li>1. <b>Microprocessor(s)</b></li> <li>2. System board</li> </ol>
089-195-XXX Microprocessor Test aborted by user	<b>Information only</b> Re-start the test, if necessary
089-196-XXX Microprocessor test halt, error threshold exceeded	<ol style="list-style-type: none"> <li>1. <b>Press F3 to review the log file</b></li> <li>2. Re-start the test to reset the log file</li> </ol>
089-197-XXX Microprocessor test warning	<ol style="list-style-type: none"> <li>1. <b>Make sure the component that is called out is connected and/or enabled. See Chapter 6, "Using the Setup Utility," on page 55</b></li> <li>2. Re-run test</li> <li>3. Replace the component that is called out in warning statement</li> <li>4. Replace the component under test</li> </ol>
089-198-XXX Microprocessor test aborted	<ol style="list-style-type: none"> <li>1. <b>Flash the system. See "Flash update procedures" on page 338</b></li> <li>2. Go to "Undetermined problems" on page 90</li> </ol>
089-199-XXX Microprocessor test failed, cause unknown	<ol style="list-style-type: none"> <li>1. See "Undetermined problems" on page 90</li> <li>2. Flash the system and re-test. See "Flash update procedures" on page 338</li> <li>3. Replace component under function test</li> </ol>
170-000-XXX Voltage Sensor(s) Test Passed	<b>No action</b>

Diagnostic Error Code	FRU/Action
<b>170-0XX-XXX</b> Voltage Sensor(s) failure	<ol style="list-style-type: none"> <li>1. <b>Flash system</b></li> <li>2. System board</li> </ol>
<b>170-195-XXX</b> Voltage Sensor(s) Test aborted by user	<p><b>Information only</b> Re-start the test, if necessary</p>
<b>170-196-XXX</b> Voltage Sensor(s) test halt, error threshold exceeded	<ol style="list-style-type: none"> <li>1. <b>Press F3 to review the log file</b></li> <li>2. Re-start the test to reset the log file</li> </ol>
<b>170-197-XXX</b> Voltage Sensor(s) test warning	<ol style="list-style-type: none"> <li>1. <b>Make sure the component that is called out is connected and/or enabled. See Chapter 6, "Using the Setup Utility," on page 55</b></li> <li>2. Re-run test</li> <li>3. Replace the component that is called out in warning statement</li> <li>4. Replace the component under test</li> </ol>
<b>170-198-XXX</b> Voltage Sensor(s) test aborted	<ol style="list-style-type: none"> <li>1. <b>If a component is called out, make sure it is connected and/or enabled. See Chapter 6, "Using the Setup Utility," on page 55</b></li> <li>2. Flash the system and re-test. See "Flash update procedures" on page 338</li> <li>3. Go to "Undetermined problems" on page 90</li> </ol>
<b>170-199-XXX</b> Voltage Sensor(s) test failed, cause unknown	<ol style="list-style-type: none"> <li>1. <b>See "Undetermined problems" on page 90</b></li> <li>2. Flash the system and re-test. See "Flash update procedures" on page 338</li> <li>3. Replace component under function test</li> </ol>
<b>170-250-XXX</b> <b>170-251-XXX</b> Voltage Sensor(s) Voltage limit error	<ol style="list-style-type: none"> <li>1. <b>Power supply</b></li> <li>2. System board</li> </ol>
<b>170-254-XXX</b> Voltage Sensor(s) Voltage Regulator Module error	<ol style="list-style-type: none"> <li>1. <b>Voltage Regulator Module (VRM)</b></li> <li>2. Microprocessor</li> <li>3. System board</li> </ol>
<b>175-000-XXX</b> Thermal Sensor(s) Test Passed	<b>No action</b>
<b>175-0XX-XXX</b> Thermal Sensor(s) failure	<ol style="list-style-type: none"> <li>1. <b>Flash system</b></li> <li>2. System board</li> </ol>
<b>175-195-XXX</b> Thermal Sensor(s) Test aborted by user	<p><b>Information only</b> Re-start the test, if necessary</p>
<b>175-196-XXX</b> Thermal Sensor(s) test halt, error threshold exceeded	<ol style="list-style-type: none"> <li>1. <b>Press F3 to review the log file</b></li> <li>2. Re-start the test to reset the log file</li> </ol>

Diagnostic Error Code	FRU/Action
175-197-XXX Thermal Sensor(s) test warning	<ol style="list-style-type: none"> <li>1. <b>Make sure the component that is called out is connected and/or enabled. See Chapter 6, "Using the Setup Utility," on page 55</b></li> <li>2. Re-run test</li> <li>3. Replace the component that is called out in warning statement</li> <li>4. Replace the component under test</li> </ol>
175-198-XXX Thermal Sensor(s) test aborted	<ol style="list-style-type: none"> <li>1. <b>If a component is called out, make sure it is connected and/or enabled</b></li> <li>2. Flash the system and re-test. See "Flash update procedures" on page 338</li> <li>3. Go to "Undetermined problems" on page 90</li> </ol>
175-199-XXX Thermal Sensor(s) test failed, cause unknown	<ol style="list-style-type: none"> <li>1. <b>See "Undetermined problems" on page 90</b></li> <li>2. Flash the system and re-test. See "Flash update procedures" on page 338</li> <li>3. Replace component under function test</li> </ol>
175-250-XXX 175-251-XXX Thermal Sensor(s) limit error	<ol style="list-style-type: none"> <li>1. <b>Check fans</b></li> <li>2. Check Power supply voltages</li> <li>3. Microprocessor</li> <li>4. System board</li> </ol>
185-000-XXX Asset Security Test Passed	<b>No action</b>
185-XXX-XXX Asset Security failure	<ol style="list-style-type: none"> <li>1. <b>Flash system</b></li> <li>2. System board</li> </ol>
185-278-XXX Asset Security Chassis Intrusion	<ol style="list-style-type: none"> <li>1. <b>Assure Asset Security Enabled</b></li> <li>2. C2 Cover Switch</li> <li>3. System board</li> </ol>
201-000-XXX System Memory Test Passed	<b>No action</b>
201-XXX-XXX System Memory error	<ol style="list-style-type: none"> <li>1. <b>Replace the memory module called out by the test</b></li> <li>2. System board</li> </ol>
202-000-XXX System Cache Test Passed	<b>No action</b>
202-XXX-XXX System Cache error	<ol style="list-style-type: none"> <li>1. <b>Cache, if removable</b></li> <li>2. System board</li> <li>3. Microprocessor</li> </ol>
206-000-XXX Diskette Drive Test Passed	<b>No action</b>
206-XXX-XXX Diskette Drive error	<ol style="list-style-type: none"> <li>1. <b>Diskette Drive Cable</b></li> <li>2. Check power supply voltages</li> <li>3. Diskette drive</li> <li>4. System board</li> </ol>

<b>Diagnostic Error Code</b>	<b>FRU/Action</b>
<b>215-000-XXX</b> CD-ROM Drive Test Passed	<b>No action</b>
<b>215-XXX-XXX</b> CD-ROM Drive error	<ol style="list-style-type: none"> <li>1. <b>CD-ROM Drive Cable</b></li> <li>2. Check power supply voltages</li> <li>3. CD-ROM drive</li> <li>4. System board</li> </ol>
<b>217-000-XXX</b> Hard Disk Drive Test Passed	<b>No action</b>
<b>217-25X-XXX</b> <b>217-26X-XXX</b> Hard Disk Drive (IDE) error	<ol style="list-style-type: none"> <li>1. <b>Hard Disk Drive Cable</b></li> <li>2. Check power supply voltages</li> <li>3. Reseat the hard disk drive cable</li> <li>4. Hard Disk drive (IDE)</li> <li>5. System board</li> </ol>
<b>217-28X-XXX</b> <b>217-29X-XXX</b> Hard Disk Drive (SCSI) error	<ol style="list-style-type: none"> <li>1. <b>Hard Disk Drive Cable</b></li> <li>2. Check power supply voltages</li> <li>3. Reseat the hard disk drive cable</li> <li>4. Hard Disk drive (SCSI)</li> <li>5. SCSI adapter card</li> <li>6. System board</li> </ol>
<b>220-000-XXX</b> Hi-Capacity Cartridge Drive Test Passed	<b>No action</b>
<b>220-XXX-XXX</b> Hi-Capacity Cartridge Drive error	<ol style="list-style-type: none"> <li>1. <b>Remove the Hi-Capacity Cartridge Drive and re-test the system</b></li> </ol>
<b>301-XXX-XXX</b> Keyboard error	<ol style="list-style-type: none"> <li>1. <b>Keyboard</b></li> <li>2. Check and test mouse</li> <li>3. System board</li> </ol>
<b>301-000-XXX</b> Keyboard Test Passed	<b>No action</b>
<b>302-000-XXX</b> Mouse Test Passed	<b>No action</b>
<b>302-XXX-XXX</b> Mouse error	<ol style="list-style-type: none"> <li>1. <b>Mouse</b></li> <li>2. Check and test Keyboard</li> <li>3. System board</li> </ol>
<b>303-000-XXX</b> Joystick Test Passed	<b>No action</b>
<b>303-XXX-XXX</b> Joystick error	<b>Remove the Joystick and re-test the system</b>
<b>305-000-XXX</b> Monitor DDC Test Passed	<b>No action</b>
<b>305-250-XXX</b> Monitor DDC self test failure	<ol style="list-style-type: none"> <li>1. <b>Run Setup to enable DDC</b></li> <li>2. Cable</li> <li>3. Monitor</li> <li>4. Video card</li> <li>5. System board</li> </ol>

<b>Diagnostic Error Code</b>	<b>FRU/Action</b>
415-000-XXX Modem Test Passed	No action
415-XXX-XXX Modem error	Remove the Modem and re-test the system

## Beep symptoms

Beep symptoms are short tones or a series of short tones separated by pauses (intervals without sound). See the following examples.

Beeps	Description
1-2-X	<ul style="list-style-type: none"> <li>• One beep</li> <li>• A pause (or break)</li> <li>• Two beeps</li> <li>• A pause (or break)</li> <li>• Any number of breaks</li> </ul>
4	Four continuous beeps

Use the following table to diagnose beep symptoms.

Beep Symptom	FRU/Action
1-1-3 CMOS read-write error	<ol style="list-style-type: none"> <li>1. Run Setup</li> <li>2. System Board</li> </ol>
1-2-2-3 ROM BIOS check error	System board
1-2-1 Programmable Interval Timer failed	System board
1-2-2 DMA Initialization failed	System board
1-2-3 DMA page register write/read failed	System board
1-2-4 RAM refresh verification failed	<ol style="list-style-type: none"> <li>1. Memory module</li> <li>2. System Board</li> </ol>
1-3-3-1 1st 64K RAM test failed	<ol style="list-style-type: none"> <li>1. Memory module</li> <li>2. System Board</li> </ol>
1-3-2 1st 64K RAM parity test failed	<ol style="list-style-type: none"> <li>1. Memory module</li> <li>2. Processor</li> <li>3. System Board</li> </ol>
2-2-3-1 Interrupt vector loading test failed	System board
2-1-1 Secondary DMA register failed	System board
2-1-2 Primary DMA register failed	System board
2-1-3 Primary interrupt mask register failed	System board
2-1-4 Secondary interrupt mask register failed	System board
2-2-1 Interrupt vector loading failed	System board
1-3-1-3 Keyboard controller failed	<ol style="list-style-type: none"> <li>1. System Board</li> <li>2. Keyboard</li> </ol>
2-2-3 CMOS power failure and checksum checks failed	<ol style="list-style-type: none"> <li>1. Battery</li> <li>2. System Board</li> </ol>



<b>Beep Symptom</b>	<b>FRU/Action</b>
2-2-4 CMOS configuration info validation failed	1. <b>Battery</b> 2. System Board
2-3-1 Screen initialization failed	1. <b>Jumper on J28</b> 2. System Board
2-3-2 Screen memory failed	<b>System board</b>
2-3-3 Screen retrace failed	<b>System board</b>
1-2 Search for video ROM failed	<b>System board</b>
All other beep code sequences	<b>System board</b>
Continuous beep	<b>System Board</b>
Repeating short beeps	1. <b>Keyboard stuck key</b> 2. Keyboard Cable 3. System Board

---

## No-beep symptoms

Symptom/Error	FRU/Action
No beep during POST but computer works correctly.	<b>System board</b>
No beep during POST.	<ol style="list-style-type: none"><li>1. See “Undetermined problems” on page 90.</li><li>2. System Board</li><li>3. Memory Module</li><li>4. Any Adapter or Device</li><li>5. Riser Card</li><li>6. Power Cord</li><li>7. Power Supply</li></ol>

## POST error codes

Each time you power-on the system, it performs a series of tests that check the operation of the system and some options. This series of tests is called the *Power-On Self-Test*, or *POST*. POST does the following operations.

- Checks some basic system-board operations
- Checks the memory operation
- Starts the video operation
- Verifies that the diskette drive is working
- Verifies that the hard disk drive is working

If the POST finishes without detecting any problems, a single beep sounds and the first screen of the operating system or application program appears.

If the POST detects a problem, an error message appears on the screen. A single problem can cause several error messages to appear. When you correct the cause of the first error message, the other error messages probably will not appear on the screen the next time you turn on the system.

In the following index, X can represent any number.

POST Error Code	FRU/Action
<b>162</b> Configuration error	Select the default settings in BIOS. See Chapter 6, "Using the Setup Utility," on page 55.
<b>164</b> Memory Size Error	<ol style="list-style-type: none"><li>1. Run the Extended Memory Diagnostic tests</li><li>2. Replace memory modules</li></ol>
<b>166</b> Boot Block Check Sum Error	<ol style="list-style-type: none"><li>1. Perform a flash update to update the BIOS level</li><li>2. System board</li></ol>
<b>167</b> No Processor BIOS update found	<ol style="list-style-type: none"><li>1. Run Setup. Check Stepping level for the BIOS level needed, then perform the flash update.</li><li>2. Replace the microprocessor</li></ol>
<b>175</b> Primary Copy of Secure Data is damaged	<ol style="list-style-type: none"><li>1. Run Setup and select default settings</li><li>2. System board</li></ol>
<b>176</b> The System has been tampered with	<ol style="list-style-type: none"><li>1. Covers were removed from the computer</li></ol>
<b>179</b> Boot Integrity Services Segment Error	<ol style="list-style-type: none"><li>1. Perform a flash update to update the BIOS level</li><li>2. System board</li></ol>
<b>184</b> Asset Control Antenna not detected	<ol style="list-style-type: none"><li>1. Make sure Asset Care and Asset ID™ are enabled in Configuration/Setup</li><li>2. RFID Antenna</li><li>3. Replace system board</li></ol>
<b>186</b> Security Hardware Control Logic Error	If problem persists, replace the system board
<b>190</b> System Security: Invalid Remote Change Requested	If problem persists, replace the system board

<b>POST Error Code</b>	<b>FRU/Action</b>
<b>191</b> System Security: Embedded Security hardware Reset	If problem persists, replace the system board
<b>192</b> System Security: Embedded Security hardware tamper detected	If problem persists, replace the system board
<b>193</b> System Security: Embedded Security hardware Removed	If problem persists, replace the system board
<b>194</b> System Security: Asset ID Antenna has been Removed	If problem persists, replace the system board
<b>195</b> System Security: Asset ID Antenna has been installed	If problem persists, replace the system board
<b>196</b> System Tampered Cleared	If problem persists, replace the system board
<b>201</b> Memory error	<ol style="list-style-type: none"> <li>1. Run Enhanced Diagnostics Memory Test</li> <li>2. Memory module</li> <li>3. System board</li> </ol>
<b>210</b> Keyboard stuck key error	<ol style="list-style-type: none"> <li>1. Check for stuck keys</li> <li>2. Replace the keyboard</li> </ol>
<b>211</b> Keyboard error	<ol style="list-style-type: none"> <li>1. Make sure keyboard is connected correctly</li> <li>2. Check for stuck keys</li> <li>3. Replace the keyboard</li> </ol>
<b>212</b> Keyboard controller error	<ol style="list-style-type: none"> <li>1. Replace the keyboard</li> <li>2. If problem persists, replace the system board</li> </ol>
<b>250</b> Battery is dead	<ol style="list-style-type: none"> <li>1. Replace the battery and run Setup</li> <li>2. If problem persists, replace the system board</li> </ol>
<b>270</b> Real time clock error	<ol style="list-style-type: none"> <li>1. Run Setup and set date and time</li> <li>2. If problem persists, replace the system board</li> </ol>
<b>271</b> Date and time out of range	<ol style="list-style-type: none"> <li>1. Run Setup and set date and time</li> <li>2. If problem persists, replace the system board</li> </ol>
<b>662</b> Configuration Change has occurred	Diskette drive configuration error or wrong diskette drive type; run Setup.
<b>1762</b> Configuration Change has occurred	<ol style="list-style-type: none"> <li>1. Run Setup and verify hard disk drive settings.</li> <li>2. Run hard disk drive diagnostics.</li> <li>3. Replace hard disk drive</li> </ol>
<b>1800</b> PCI/PnP Error! No Hardware Interrupt Available	<ol style="list-style-type: none"> <li>1. Run Setup and verify PCI/ISA configuration settings.</li> <li>2. Run diagnostics.</li> <li>3. Replace PCI Adapter</li> </ol>

<b>POST Error Code</b>	<b>FRU/Action</b>
<b>1801</b> PCI/PnP Error! No Space Available to Shadow ROM	<ol style="list-style-type: none"> <li>1. Run Setup and verify PCI/ISA configuration settings.</li> <li>2. Run diagnostics.</li> <li>3. Replace PCI Adapter</li> </ol>
<b>1802</b> PCI/PnP Error! Not Enough I/O Space Available	<ol style="list-style-type: none"> <li>1. Run Setup and verify PCI/ISA configuration settings.</li> <li>2. Run diagnostics.</li> <li>3. Replace PCI Adapter</li> </ol>
<b>1803</b> PCI/PnP Error! Not Enough Memory Space Available	<ol style="list-style-type: none"> <li>1. Run Setup and verify PCI/ISA configuration settings.</li> <li>2. Run diagnostics.</li> <li>3. Replace PCI Adapter</li> </ol>
<b>1804</b> PCI/PnP Error! Not Enough Real Memory Space Available	<ol style="list-style-type: none"> <li>1. Run Setup and verify PCI/ISA configuration settings.</li> <li>2. Run diagnostics.</li> <li>3. Replace PCI Adapter</li> </ol>
<b>1805</b> PCI/PnP Error! Adapter ROM Checksum Error	<ol style="list-style-type: none"> <li>1. Run Setup and verify PCI/ISA configuration settings.</li> <li>2. Run diagnostics.</li> <li>3. Replace PCI Adapter</li> </ol>
<b>1962</b> No operating system found	Press F1 to repeat boot sequence.
<b>5962</b> An IDE device (other than hard drive) configuration error	<ol style="list-style-type: none"> <li>1. Run Setup.</li> <li>2. CD-ROM Drive</li> <li>3. CD-ROM Adapter</li> <li>4. Zip or other ATAPI device</li> <li>5. Replace system Board</li> <li>6. Replace riser card if applicable</li> </ol>
<b>8603, 8604</b> Pointing Device Error	<ol style="list-style-type: none"> <li>1. Replace pointing device (mouse)</li> <li>2. if problem persists, replace the system board</li> </ol>

## Miscellaneous error messages

Message/Symptom	FRU/Action
CMOS Backup Battery inaccurate	<ol style="list-style-type: none"> <li>1. <b>CMOS Backup Battery</b> (see Chapter 2, "Safety information," on page 5)</li> <li>2. System Board</li> </ol>
Changing colors	<b>Display/Monitor</b>
Computer will <i>not</i> power-off. See "Power Supply Errors" on page 59.	<ol style="list-style-type: none"> <li>1. <b>Power Switch</b></li> <li>2. System Board</li> <li>3. Riser card</li> </ol>
Computer will <i>not</i> RPL from server	<ol style="list-style-type: none"> <li>1. <b>Ensure that network is in startup sequence as first device or first device after diskette</b></li> <li>2. Ensure that network adapter is enabled for RPL</li> <li>3. Network adapter (Advise network administrator of new MAC address)</li> </ol>
Computer will <i>not</i> perform a Wake On LAN (if applicable)	<ol style="list-style-type: none"> <li>1. <b>Check power supply and signal cable connections to network adapter</b></li> <li>2. Ensure that the operating system settings are set to enable Wake on LAN</li> <li>3. Ensure Wake On LAN feature is enabled in Setup/Configuration (see "Starting the Setup Utility program" on page 55)</li> <li>4. Ensure network administrator is using correct MAC address</li> <li>5. Ensure no interrupt or I/O address conflicts</li> <li>6. Network adapter (advise network administrator of new MAC address)</li> </ol>
Dead computer. See "Power Supply Errors" on page 59.	<ol style="list-style-type: none"> <li>1. <b>Power Supply</b></li> <li>2. System Board</li> <li>3. Riser card</li> </ol>
Diskette drive in-use light remains on or does not light when drive is active.	<ol style="list-style-type: none"> <li>1. <b>Diskette Drive</b></li> <li>2. System Board</li> <li>3. Diskette Drive Cable</li> <li>4. Riser card</li> </ol>
Flashing cursor with an otherwise blank display.	<ol style="list-style-type: none"> <li>1. <b>System Board</b></li> <li>2. Primary Hard Disk Drive</li> <li>3. Hard Disk Drive Cable</li> <li>4. Riser card</li> </ol>
Incorrect memory size during POST	<ol style="list-style-type: none"> <li>1. <b>Run the Memory tests</b></li> <li>2. Memory Module</li> <li>3. System Board</li> </ol>

Message/Symptom	FRU/Action
"Insert a Diskette" icon appears with a known-good diagnostics diskette in the first 3.5-inch diskette drive.	<ol style="list-style-type: none"> <li>1. <b>System Board</b></li> <li>2. Diskette Drive Cable</li> <li>3. Riser card</li> <li>4. Network Adapter</li> </ol>
Intensity or color varies from left to right of characters and color bars	<ol style="list-style-type: none"> <li>1. <b>Display</b></li> <li>2. System Board</li> </ol>
No power or fan not running	1. <b>See "Power Supply Errors" on page 59.</b>
Non-system disk or disk error-type message with a known-good diagnostic diskette.	<ol style="list-style-type: none"> <li>1. <b>Diskette Drive</b></li> <li>2. System Board</li> <li>3. Diskette Drive Cable</li> <li>4. Riser card</li> </ol>
Other display symptoms not listed above (including blank or illegible display)	<ol style="list-style-type: none"> <li>1. <b>Display</b></li> <li>2. System Board</li> </ol>
Power-on indicator or hard disk drive in-use light not on, but computer works correctly	<ol style="list-style-type: none"> <li>1. <b>Power Supply</b></li> <li>2. System Board</li> <li>3. LED Cables</li> </ol>
Printer problems	1. <b>Printer</b>
Program loads from the hard disk with a known-good diagnostics diskette in the first 3.5-inch diskette drive	<ol style="list-style-type: none"> <li>1. <b>Run Setup</b></li> <li>2. Diskette Drive</li> <li>3. Diskette Drive Cable</li> <li>4. System Board</li> <li>5. Riser card</li> <li>6. Power Supply</li> </ol>
RPL computer cannot access programs from its own hard disk.	<ol style="list-style-type: none"> <li>1. <b>If network administrator is using LCCM Hybrid RPL, check startup sequence:</b> <ol style="list-style-type: none"> <li>a. <b>First device - network</b></li> <li>b. <b>Second device - hard disk</b></li> </ol> </li> <li>2. Hard disk drive</li> </ol>
RPL computer does not RPL from server	<ol style="list-style-type: none"> <li>1. <b>Check startup sequence</b></li> <li>2. Check the network adapter LED status</li> </ol>
Serial or parallel port device failure (system board port)	<ol style="list-style-type: none"> <li>1. <b>External Device Self-Test OK?</b></li> <li>2. External Device</li> <li>3. Cable</li> <li>4. System Board</li> </ol>
Serial or parallel port device failure (adapter port)	<ol style="list-style-type: none"> <li>1. <b>External Device Self-Test OK?</b></li> <li>2. External Device</li> <li>3. Cable</li> <li>4. Alternate Adapter</li> <li>5. System Board</li> </ol>

Message/Symptom	FRU/Action
Some or all keys on the keyboard do not work	<ol style="list-style-type: none"><li>1. <b>Keyboard</b></li><li>2. Keyboard Cable</li><li>3. System Board</li></ol>

---

## Undetermined problems

Check the power supply voltages (see “Power Supply Errors” on page 59). If the voltages are correct, return here and continue with the following steps.

1. Power-off the computer.
2. Remove or disconnect the following components (if installed) one at a time.
  - a. External devices (modem, printer, or mouse)
  - b. Any adapters
  - c. Riser card
  - d. Memory modules
  - e. Extended video memory
  - f. External Cache
  - g. External Cache RAM
  - h. Hard disk drive
  - i. Diskette drive
3. Power-on the computer to re-test the system.
4. Repeat steps 1 through 3 until you find the failing device or adapter.

If all devices and adapters have been removed, and the problem continues, replace the system board.



---

## Chapter 8. Replacing FRUs (Types 8095, 8141, 8142, 8145, 8420, and 8421)

FRU replacements are to be done by trained service technicians only.

This chapter does not contain a remove and replace procedure for all FRUs. Only the major FRUs are documented in this manual.

**Important:**

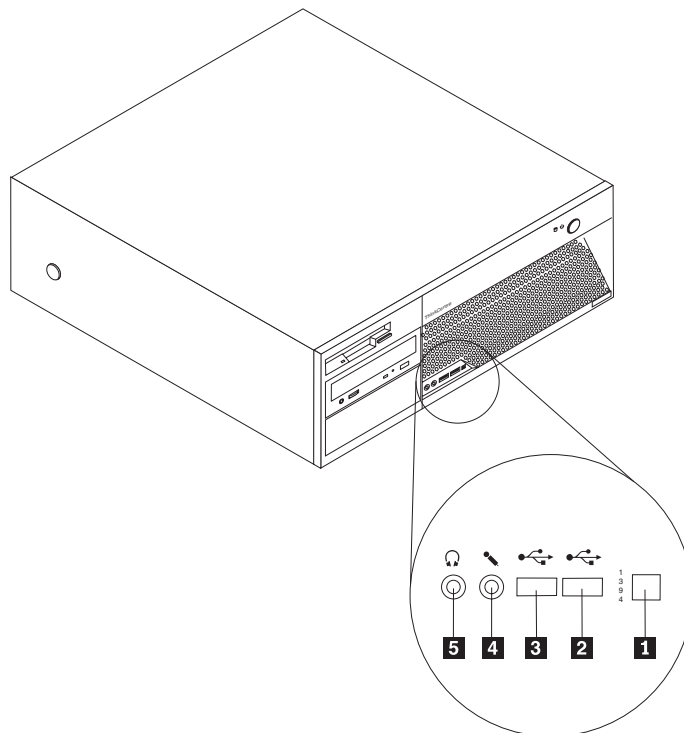
Before you install or remove any FRU, read Chapter 2, "Safety information," on page 5. These precautions and guidelines will help you work safely.

---

### Locating controls and connectors on the front of the computer

The following illustration shows the locations of the connectors on the front of the computer.

**Note:** Not all computer models will have the following connectors.

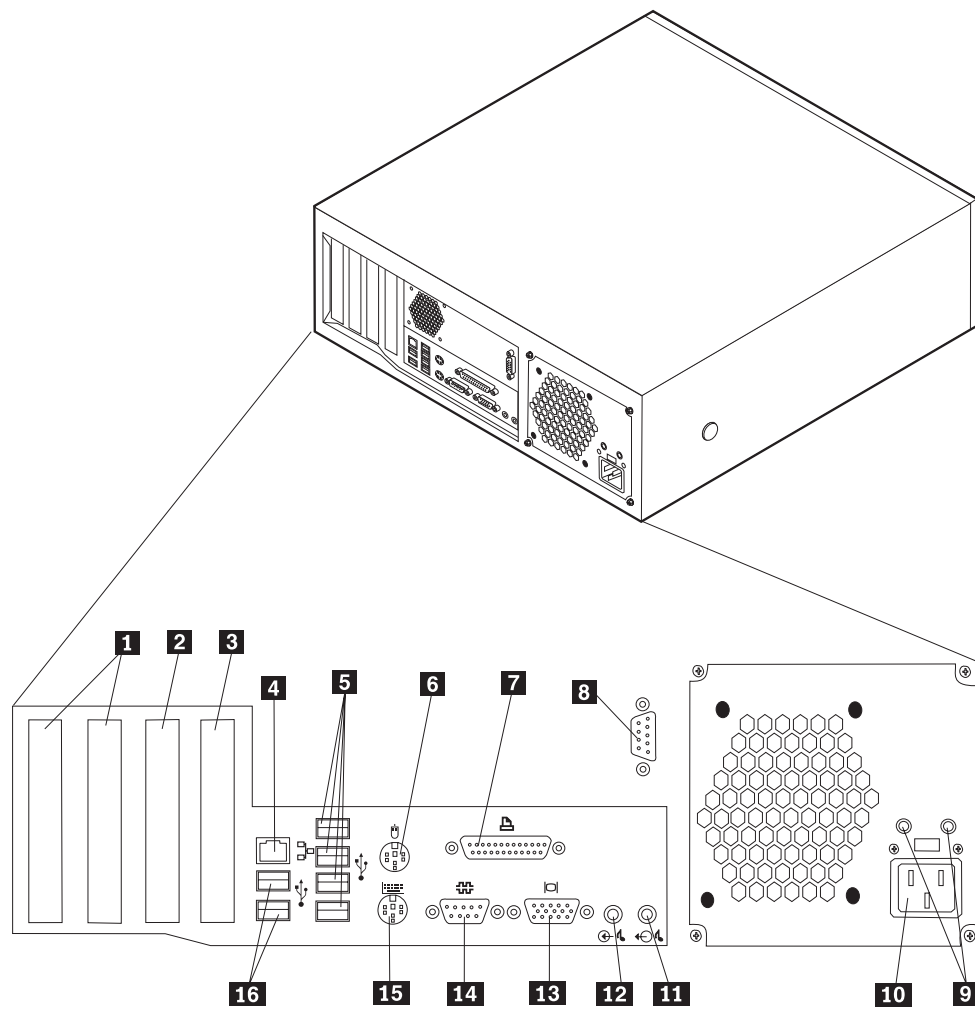


- 1** IEEE 1394 connector
- 2** USB connector
- 3** USB connector

- 4** Microphone connector
- 5** Headphone connector

## Locating connectors on the rear of the computer

The following illustration shows locations of connectors on the rear of the computer.



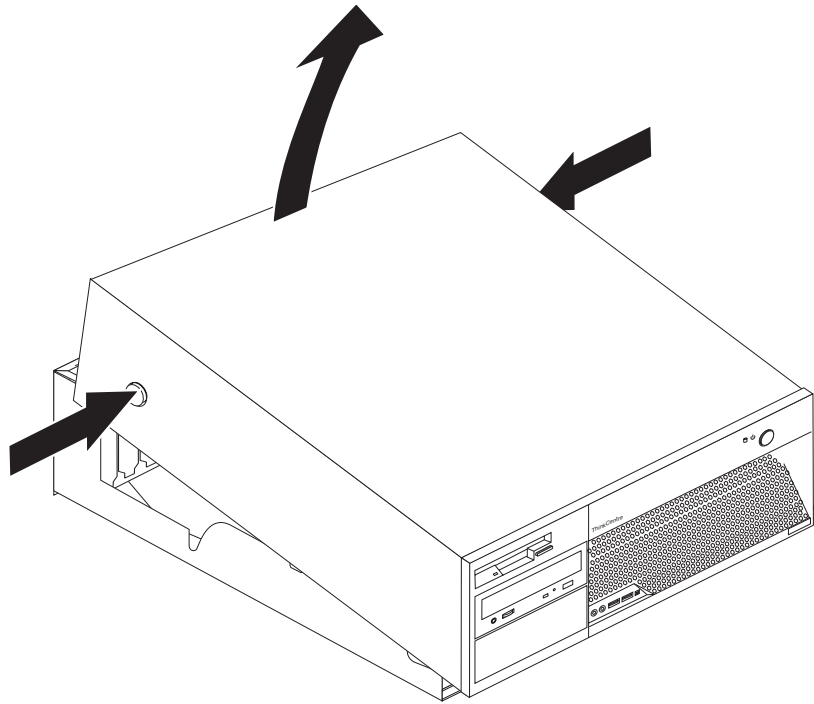
- |   |                                    |
|---|------------------------------------|
| <b>1</b> PCI connectors                       | <b>9</b> Diagnostic LEDs           |
| <b>2</b> PCI Express (x1) connector           | <b>10</b> Power connector          |
| <b>3</b> PCI Express (x16) graphics connector | <b>11</b> Audio line out connector |
| <b>4</b> Ethernet connector                   | <b>12</b> Audio line in connector  |
| <b>5</b> USB connectors                       | <b>13</b> VGA monitor connector    |
| <b>6</b> Mouse connector                      | <b>14</b> Serial connector         |
| <b>7</b> Parallel connector                   | <b>15</b> Keyboard connector       |
| <b>8</b> Serial connector (some models)       | <b>16</b> USB connectors           |

## Removing the cover

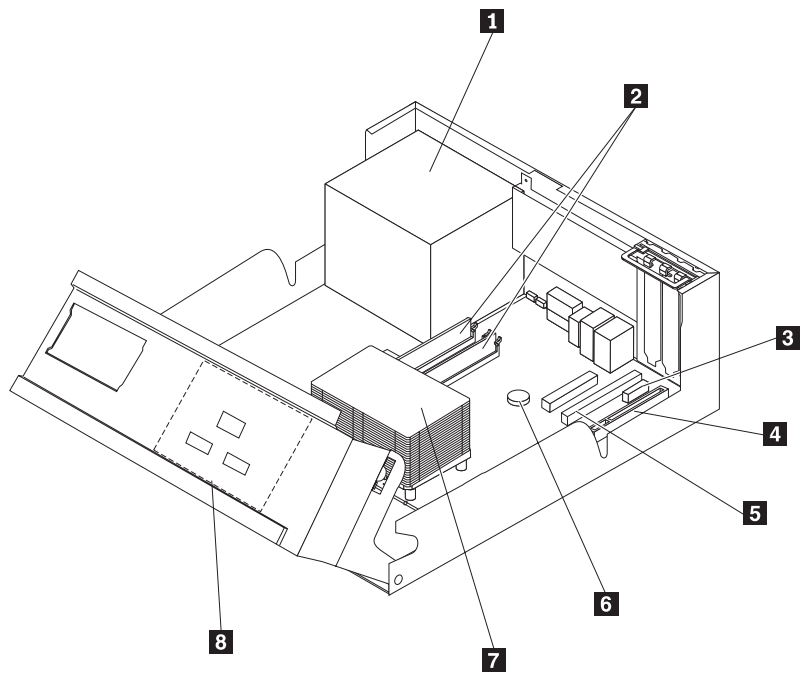
### Attention

Read Chapter 2, "Safety information," on page 5 and "Handling electrostatic discharge-sensitive devices" on page 8 "Handling electrostatic discharge-sensitive devices" on page 314 before opening the cover.

1. Shut down your operating system, remove any media (diskettes, CDs, or tapes) from the drives, and turn off all attached devices and the computer.
2. Unplug all power cords from electrical outlets.
3. Disconnect all cables attached to the computer. This includes power cords, input/output (I/O) cables, and any other cables that are connected to the computer.
4. Remove any locking devices that secure the cover.
5. Press the buttons on the sides of the computer and pivot the rear end of the cover up toward the front of the computer.

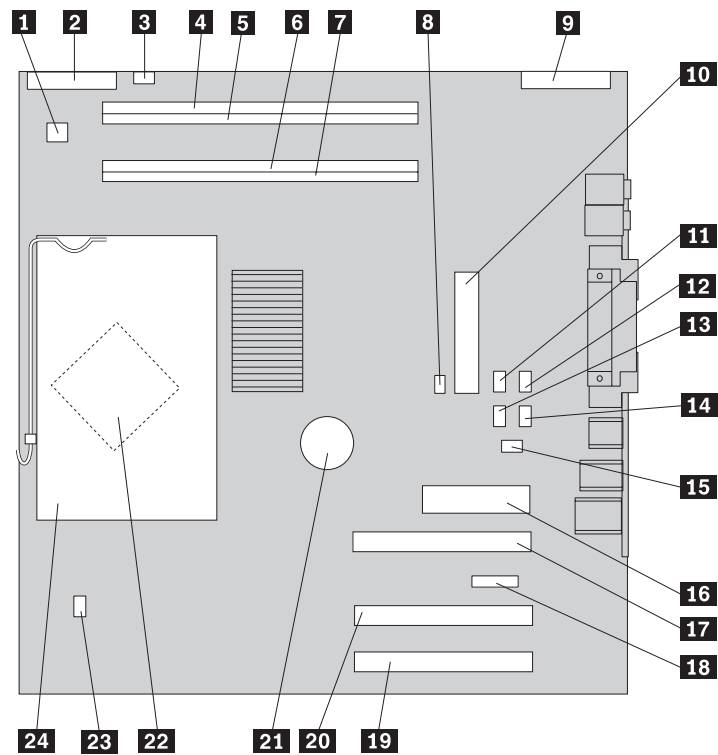


## Locating components



- |   |   |
|---|---|
| <b>1</b> Power supply                   | <b>5</b> PCI Express (x16) graphics PCI connector |
| <b>2</b> Memory modules                 | <b>6</b> Battery                                  |
| <b>3</b> PCI Express (x1) PCI connector | <b>7</b> Microprocessor and heat sink             |
| <b>4</b> PCI connector                  | <b>8</b> Fan assembly                             |

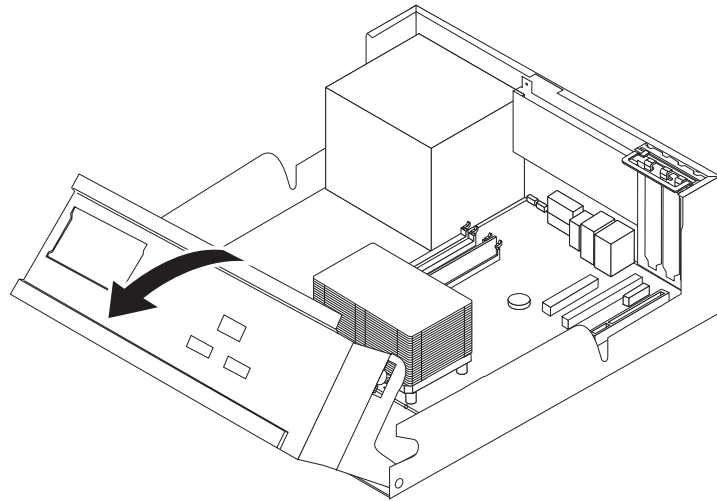
## Identifying parts on the system board



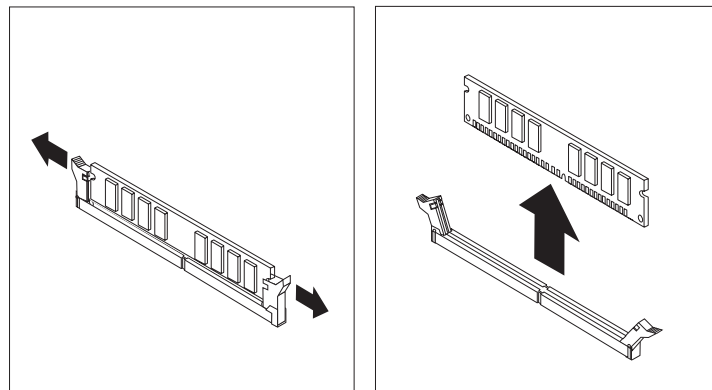
- |           |                            |           |                                      |
|-----------|----------------------------|-----------|--------------------------------------|
| <b>1</b>  | 12V power connector        | <b>14</b> | SATA 1 IDE connector                 |
| <b>2</b>  | Diskette drive connector   | <b>15</b> | Cover presence switch connector      |
| <b>3</b>  | Speaker connector          | <b>16</b> | Power supply connector               |
| <b>4</b>  | Memory connector 4         | <b>17</b> | PCI Express (x16) graphics connector |
| <b>5</b>  | Memory connector 3         | <b>18</b> | PCI Express x1 connector             |
| <b>6</b>  | Memory connector 2         | <b>19</b> | PCI connector                        |
| <b>7</b>  | Memory connector 1         | <b>20</b> | PCI connector                        |
| <b>8</b>  | Clear CMOS/Recovery jumper | <b>21</b> | Battery                              |
| <b>9</b>  | Front Panel connector      | <b>22</b> | Microprocessor                       |
| <b>10</b> | PATA IDE connector         | <b>23</b> | Microprocessor fan connector         |
| <b>11</b> | SATA 4 IDE connector       | <b>24</b> | Microprocessor heat sink             |
| <b>12</b> | SATA 3 IDE connector       |           |                                      |
| <b>13</b> | SATA 2 IDE connector       |           |                                      |

## Removing and replacing memory

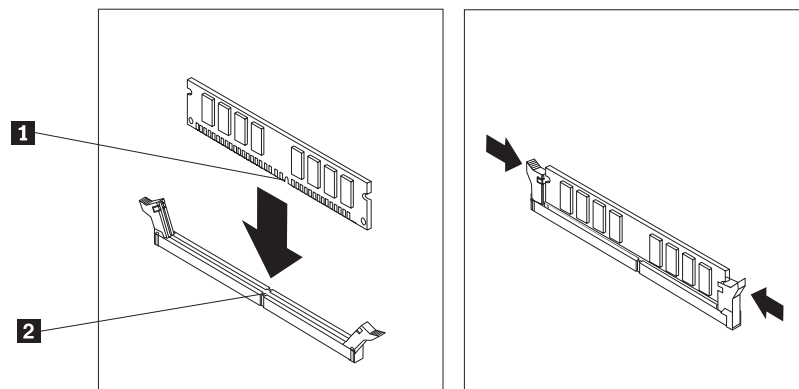
1. Remove the cover. See “Removing the cover” on page 92.
2. Rotate the drive bay upward to gain access to the system board.



3. Locate the memory connectors. See “Identifying parts on the system board” on page 95.
4. Open the retaining clips to remove an existing memory module.



5. Make sure the memory module notch **1** is aligned correctly with the connector key **2** on the memory connector. Insert the memory module straight down into the connector until the retaining clips close.

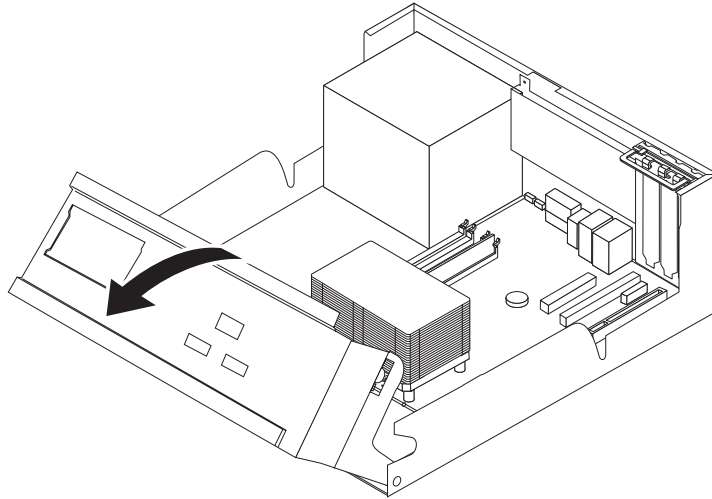


6. To complete the installation, go to “Closing the cover and connecting cables” on page 113.

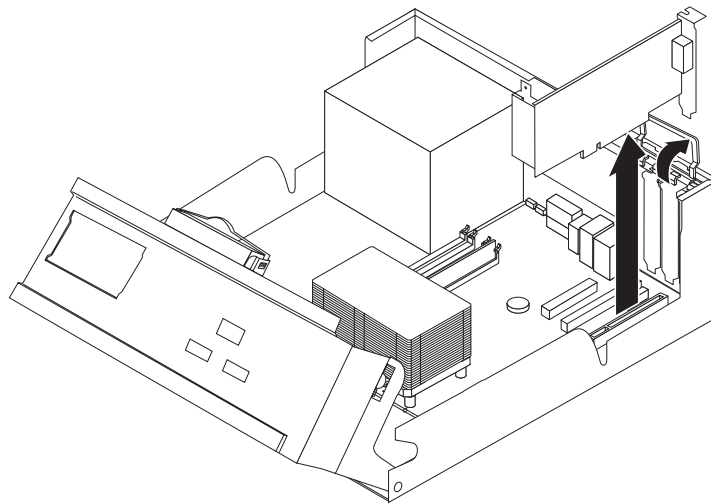
---

## Removing and replacing a PCI adapter

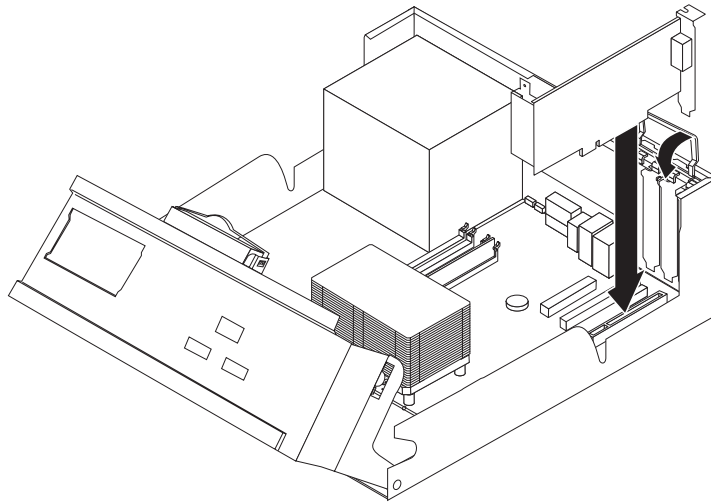
1. Remove the cover. See “Removing the cover” on page 92.
2. Rotate the drive bay assembly upward to gain access to the system board.



3. Open the adapter latch and remove the failing adapter.



4. Remove the new adapter from its static-protective package.
5. Install the new adapter into the appropriate connector on the system board and close the adapter latch.

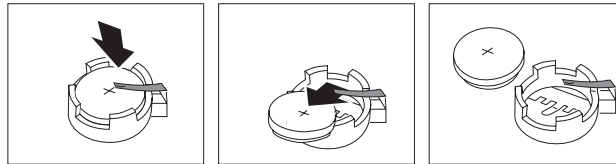


6. Rotate the drive bay assembly back to the normal position.
7. To complete the installation, go to “Closing the cover and connecting cables” on page 113.

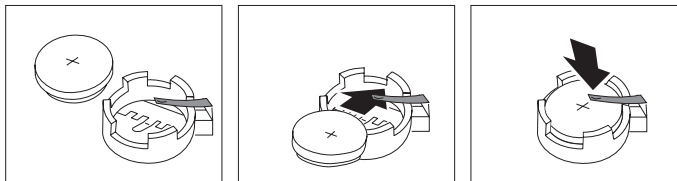
---

## Removing and replacing the battery

1. Open the cover. See “Removing the cover” on page 92.
2. Rotate the drive bay assembly upward to gain access to the system board.
3. Refer to “Identifying parts on the system board” on page 95 and locate the battery.
4. Remove the old battery.



5. Install the new battery.



6. To complete the installation, go to “Closing the cover and connecting cables” on page 113.

**Note:** When the computer is turned on for the first time after battery replacement, an error message might be displayed. The Setup Utility will start automatically. This is normal after replacing the battery.



## Removing and replacing the power supply

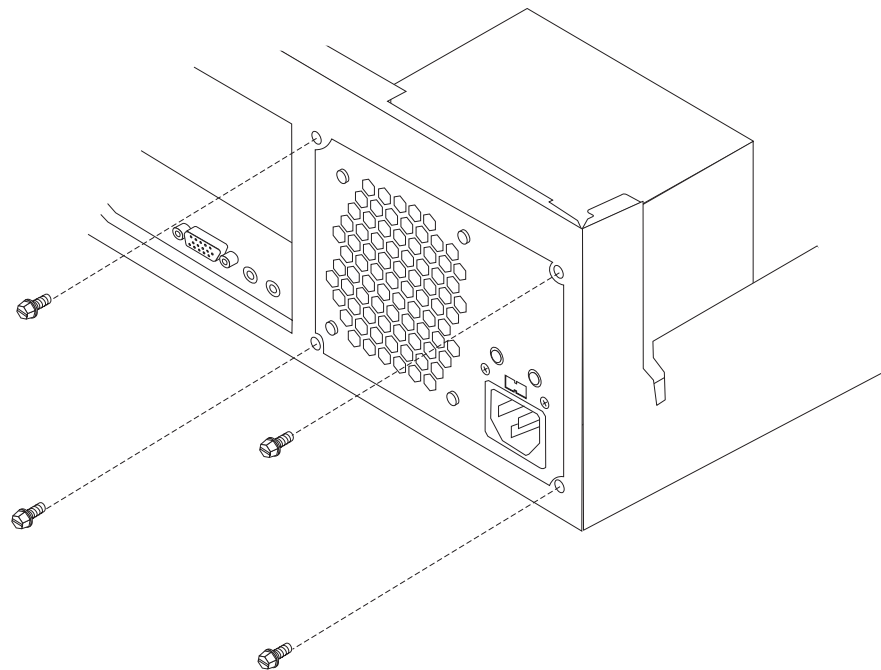
### Attention

Never remove the cover on a power supply or any part that has the following label attached.

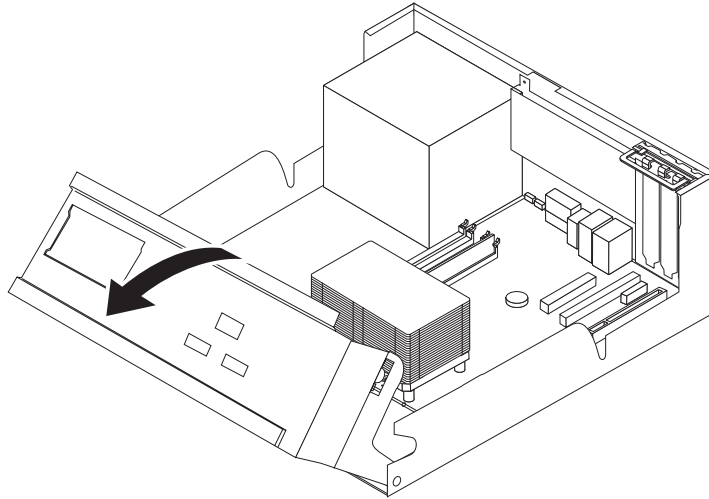


Hazardous voltage, current, and energy levels are present inside any component that has this label attached. There are no servicable parts inside these components.

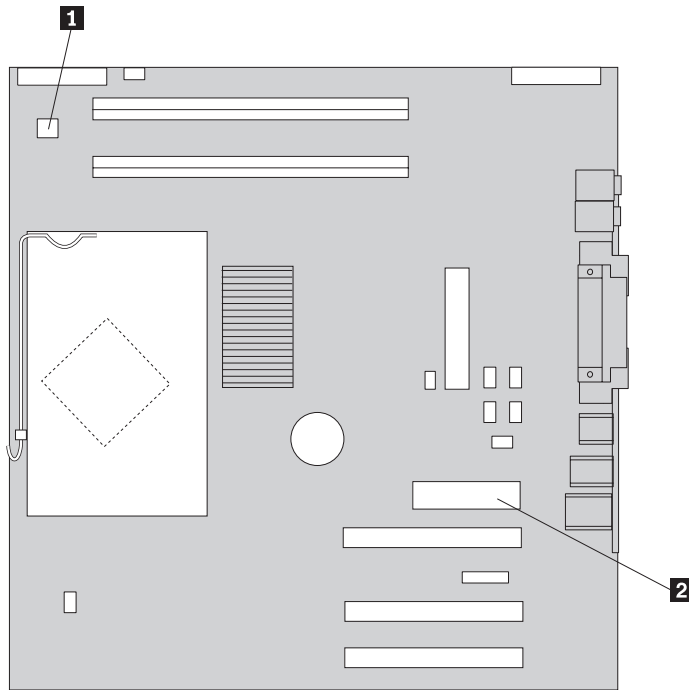
1. Remove the cover. See “Removing the cover” on page 92.
2. Remove the four screws at the rear of the chassis.



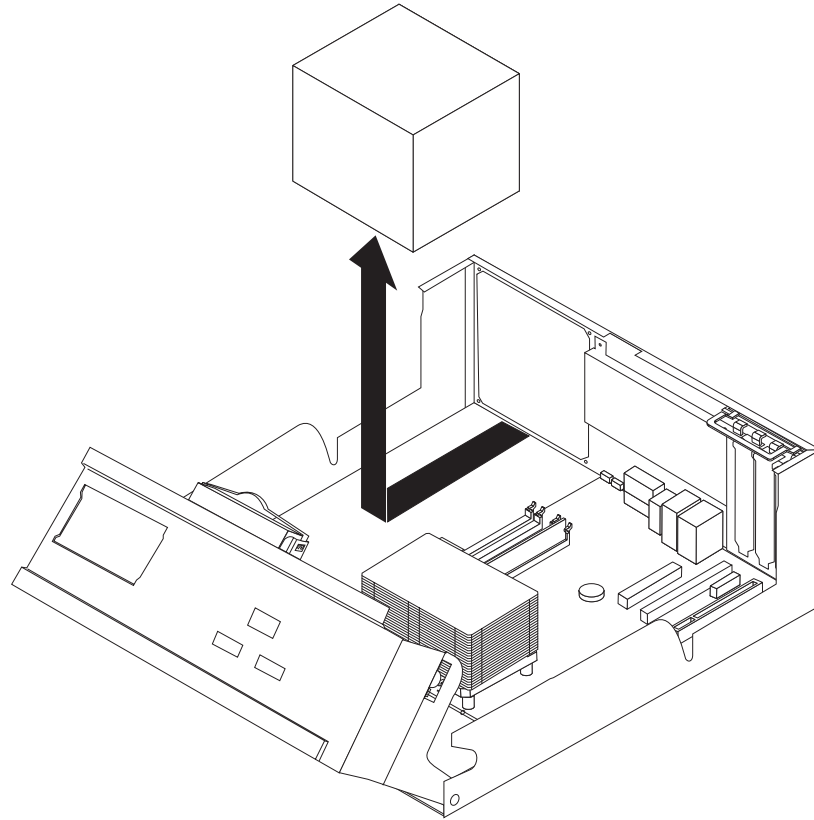
3. Rotate the drive bay assembly upward to gain access to the system board. Note of the routing of the power supply cables.



4. Disconnect power supply cables **1** and **2** from the system board.



5. Disconnect the power supply cables from all of the drives.
6. Remove the power supply assembly from the computer.

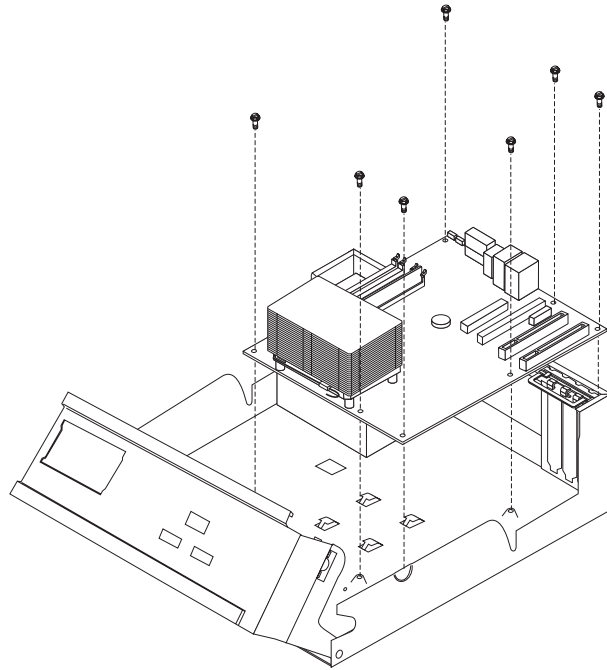


7. Install the new power supply assembly into the chassis so that the screw holes in the power supply assembly align with those in the chassis.
- Note:** Use only the screws provided by Lenovo.
8. Install and tighten the four power supply assembly screws into the rear of the chassis.
  9. Reconnect all the power supply cables to the drives and to the system board.
  10. To complete the installation, go to “Closing the cover and connecting cables” on page 113.

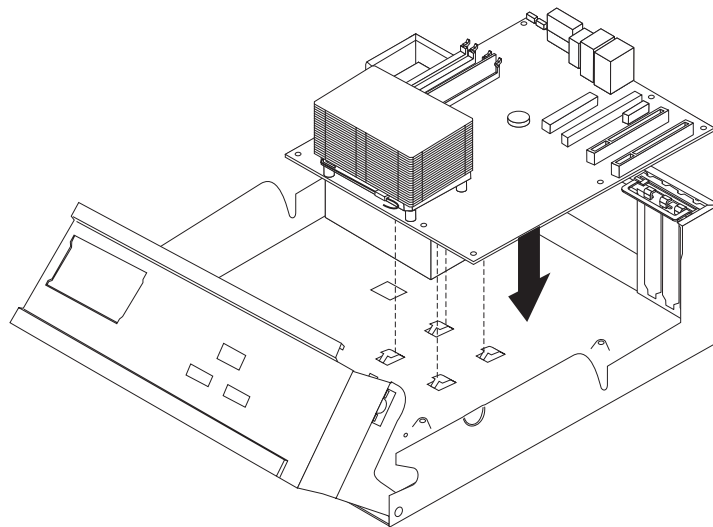
---

## Removing and replacing the system board

1. Remove the cover. See “Removing the cover” on page 92.
2. Remove any PCI adapters. See “Removing and replacing a PCI adapter” on page 97.
3. Carefully note the location of all cable connections on the system board. It will be necessary to reconnect them properly when installing a new system board.
4. Disconnect all cables connected to the system board. See “Identifying parts on the system board” on page 95.
5. Remove the seven screws that attach the system board to the chassis and slide the system board toward the front of the computer and carefully lift it out.



6. Note the location of the memory modules, remove them from the failing system board, and install them on the new system board in the same location as they were on the failing system board. See “Removing and replacing memory” on page 96.
7. Remove the heat sink and microprocessor from the failing system board and install them on the new system board. See “Removing and replacing the microprocessor” on page 103.  
Continue to the next step after installing the heat sink and microprocessor on the new system board.
8. Install the new system board by aligning the slots in the metal plate on the bottom of the system board with the tabs on the chassis and slide the system board toward the rear of the computer until the screw holes are aligned properly.



**Important**

If the metal plate is not aligned correctly when you install the screws, you might damage the system board.

9. Install the screws that secure the system board to the chassis.
10. Reconnect all cables that were disconnected from the system board. See “Identifying parts on the system board” on page 95.
11. Replace any PCI adapters that were removed. See “Removing and replacing a PCI adapter” on page 97.
12. To complete the installation, go to “Closing the cover and connecting cables” on page 113.

---

## Removing and replacing the microprocessor

**Important**

To allow the thermal interface between the microprocessor and the heat sink time to cool down, turn off the computer at least one hour before removing the microprocessor.

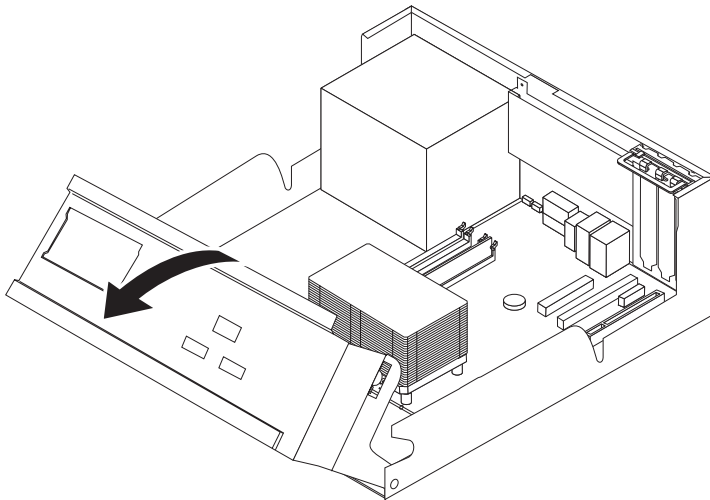
**Note:** This procedure is also used when replacing a failing system board.

When you receive a new microprocessor, you will also receive a new heat sink and a vacuum pen for handling the microprocessor.

**Important**

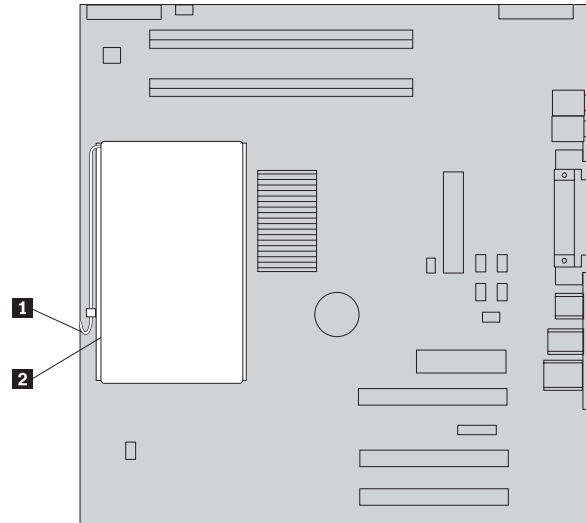
You must install the new heat sink when replacing the microprocessor. If you use the old heat sink with the new microprocessor, the computer might over heat.

1. Remove the cover. See “Removing the cover” on page 92.
2. Rotate the drive bay assembly upward to gain access to the system board.



3. Remove the heat sink **2** from the system board by rotating the lever **1** securing the heat sink until it is fully in the up position. Carefully lift the heat sink off the system board.

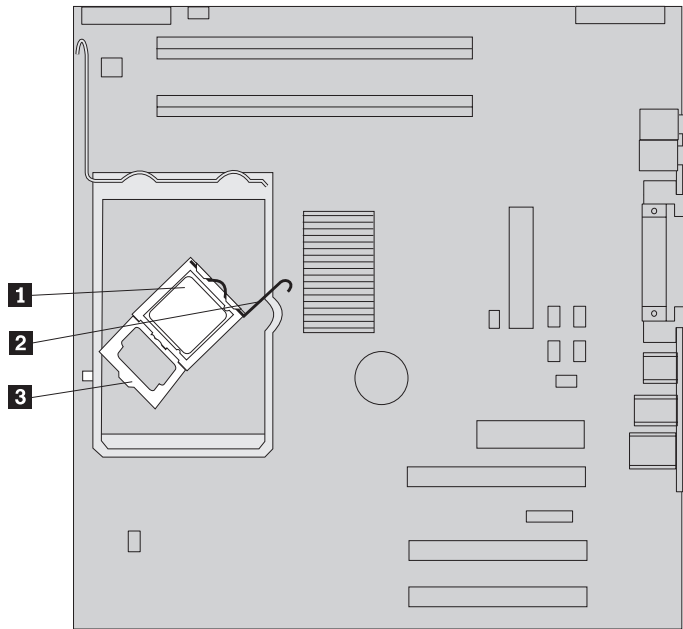
**Note:** If you are replacing the system board, place the heat sink on its side on a clean, flat surface. You must later install the heat sink on the new system board.



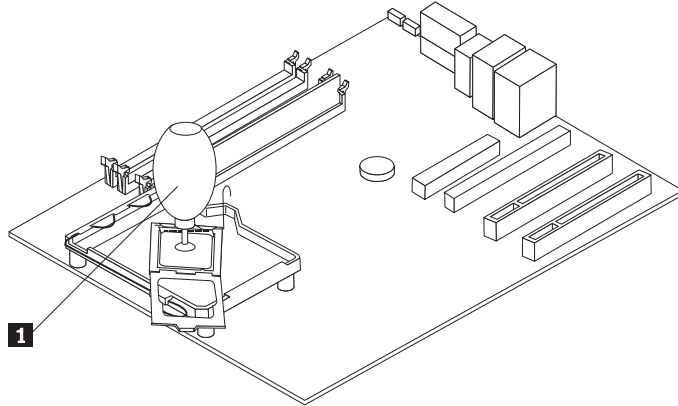
4. Release the lever **2** securing the microprocessor retainer **3** then rotate the retainer to fully open position. Do not remove the microprocessor **1** until instructed.

**Important**

Do not touch the gold contacts on the bottom of the microprocessor. If you must touch the microprocessor, touch only the sides.

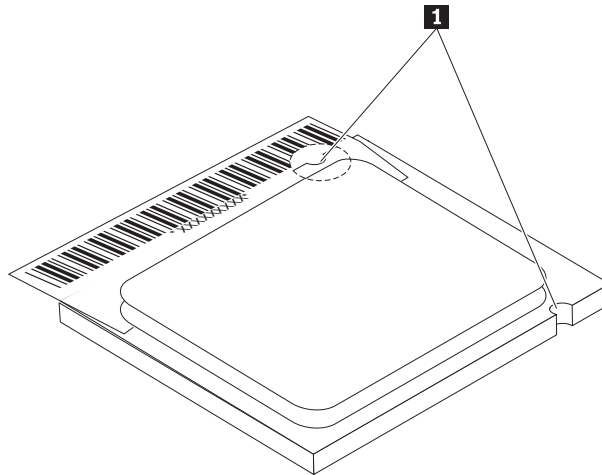


5. Using the vacuum pen **1**, remove the microprocessor from the system board socket by lifting it straight up and out of the socket.



**Notes:**

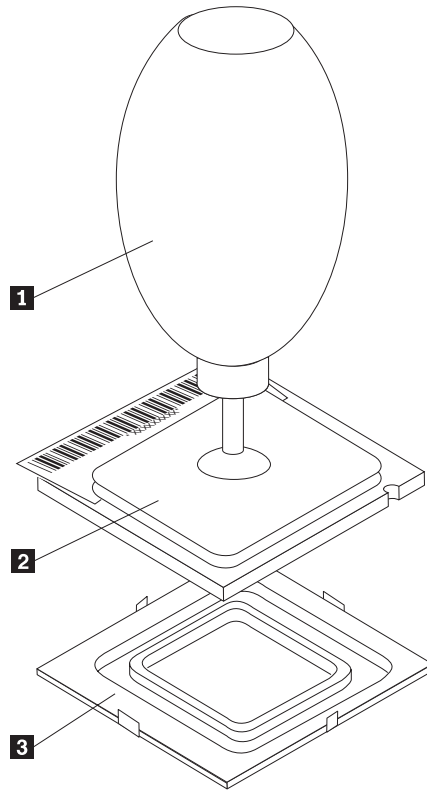
- a. Note of the orientation of the notches **1** on the microprocessor. This is important when reinstalling the microprocessor on the system board.



- b. Be careful to not drop anything onto the microprocessor socket while it is exposed. The socket pins must be kept as clean as possible.
6. Make sure that the microprocessor retainer is fully open.



7. Loosen the protective cover **3** that protects the gold contacts on the microprocessor **2** but do not remove it. Use the vacuum pen **1** to pick up the microprocessor then completely remove the cover.

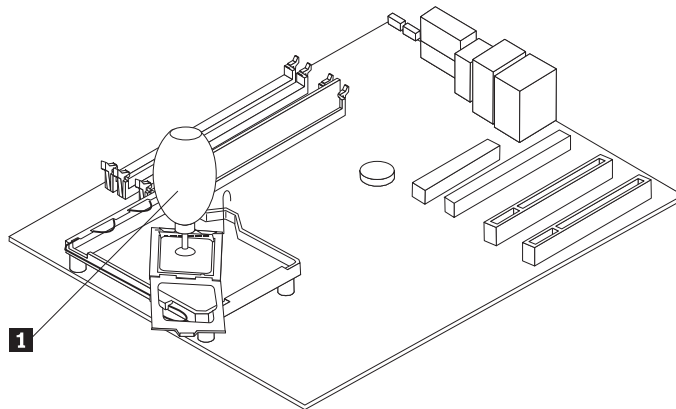


8. Position the microprocessor so that the notches on the microprocessor are aligned with the tabs in the microprocessor socket.

**Important**

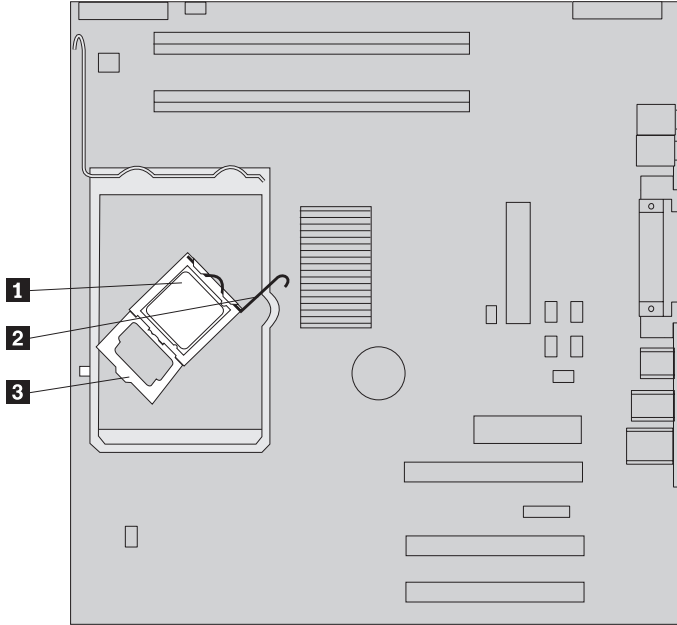
To avoid damaging the microprocessor contacts, do not tilt the microprocessor when installing it into the socket.

9. Using the vacuum pen, lower the microprocessor straight down into the microprocessor socket.



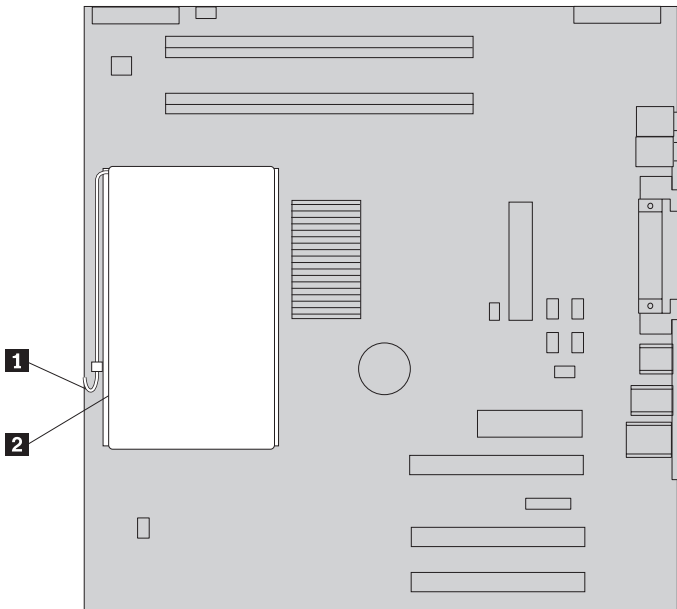
- Lower the microprocessor retainer **3** and then secure the retainer with the lever **2**.

**Note:** If you are replacing the system board, a black protective cover on the retainer protects the microprocessor socket. When you close the retainer, remove the cover.



- Slide the heat sink **2** under the lip and into position on the microprocessor. Lower the lever **1** to secure the heat sink.

**Note:** When you receive a new microprocessor, you will also receive a new heat sink. You must install a new heat sink when replacing the microprocessor.



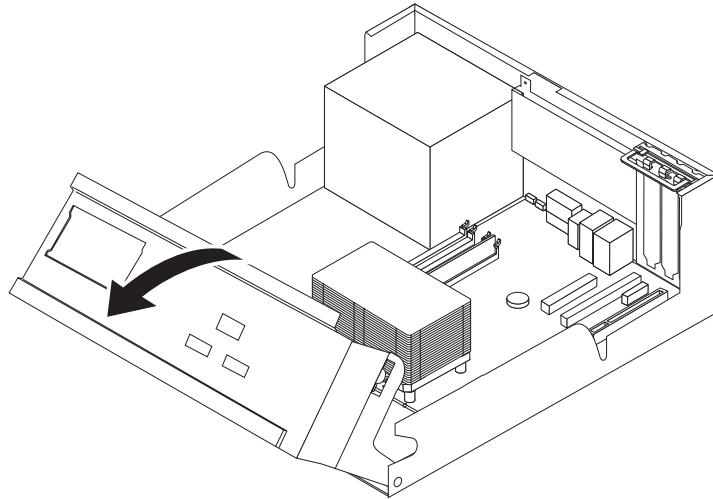
- If you are replacing the system board, continue at “Removing and replacing the system board” on page 101.

If you are replacing a failing microprocessor, go to “Closing the cover and connecting cables” on page 113.

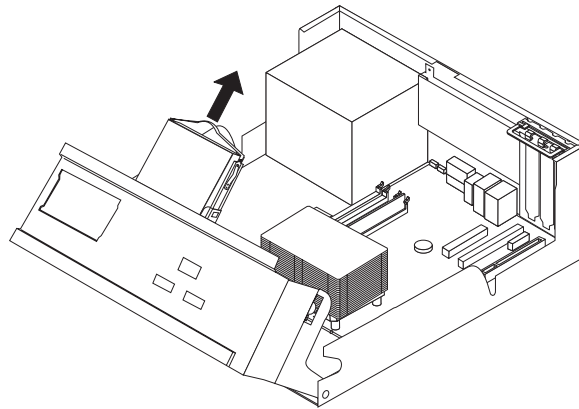
---

## Removing and replacing the hard disk drive

1. Remove the cover. See “Removing the cover” on page 92.
2. Rotate the drive bay assembly upward to gain access to the hard disk drive cables.



3. Disconnect the signal and power cables from the rear of the hard disk drive.
4. By pulling on the blue handle, lift the hard disk drive and bracket up to remove it from the drive bay.

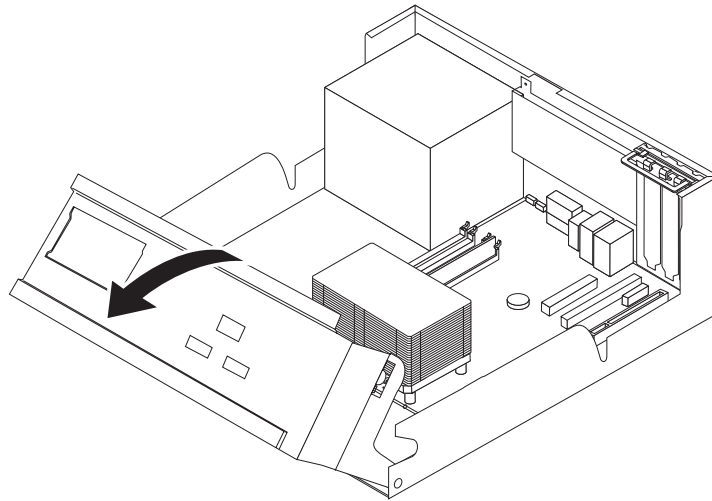


5. Note the orientation of the hard disk drive in the plastic bracket.
6. Remove the drive by flexing the plastic enough to slide the drive out.
7. Install the hard disk drive into the plastic bracket by flexing the plastic enough to slide the drive in.
8. Install the hard disk drive and bracket into the bay until it snaps into position.
9. Reconnect the signal and power cables to the hard disk drive.
10. To complete the installation, go to “Closing the cover and connecting cables” on page 113.

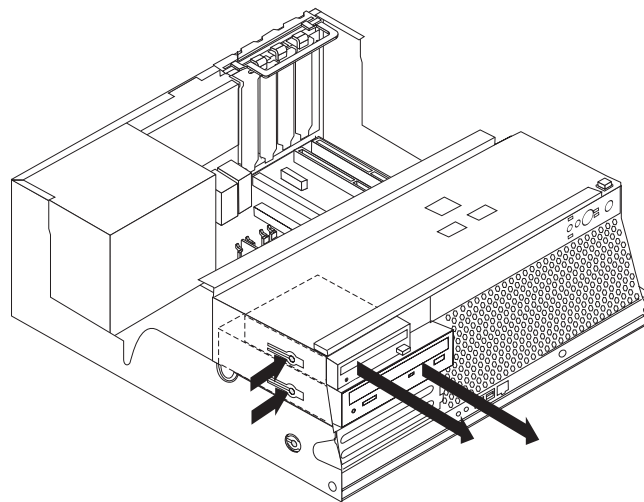
---

## Removing and replacing the optical drive

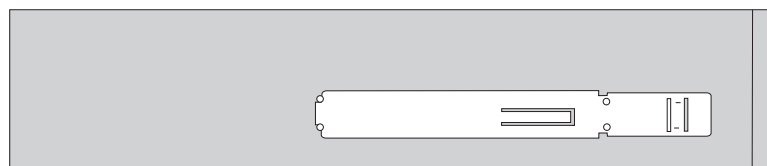
1. Remove the cover. See “Removing the cover” on page 92.
2. Rotate the drive bay assembly upward to gain access to the optical drive cables.



3. Disconnect the signal and power cables from the rear of the optical drive.
4. Release the optical disk drive by pressing inward on the blue retainer at the side of the drive.



5. Remove the drive by sliding it out the front of the drive bay.
6. Install the retainer bracket on the new drive.

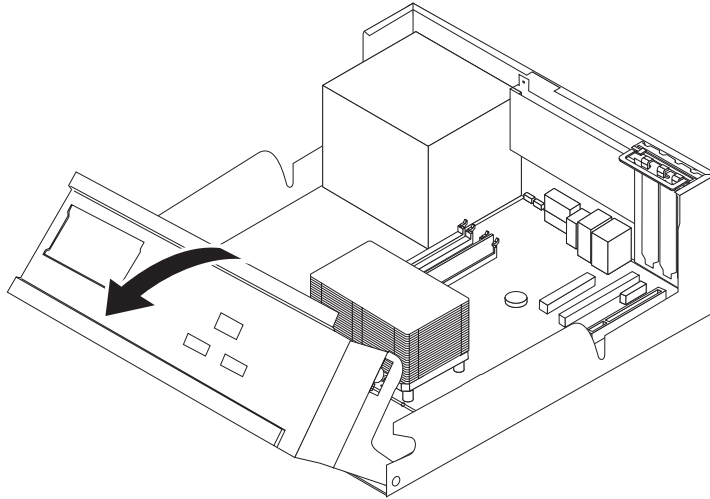


7. Install the optical drive into the bay from the front until it snaps into position.
8. Connect the signal and power cables to the optical drive.
9. To complete the installation, go to “Closing the cover and connecting cables” on page 113.

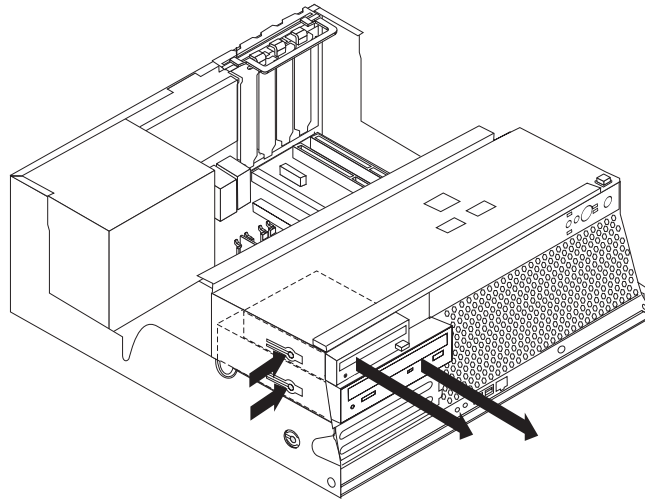
---

## Removing and replacing the diskette drive

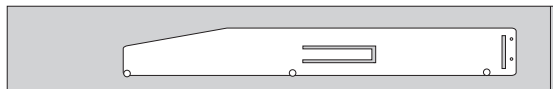
1. Remove the cover. See “Removing the cover” on page 92.
2. Rotate the drive bay assembly upward to gain access to the diskette drive cables.



3. Disconnect the signal and power cables from the rear of the diskette drive.
4. Release the diskette drive by pressing inward on the blue retainer at the side of the drive.



5. Remove the drive by sliding it out the front of the drive bay.
6. Install the retainer bracket on the new drive.

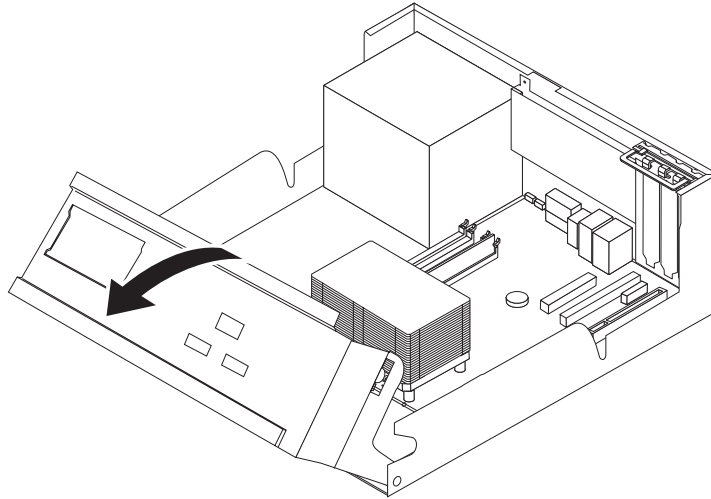


7. Install the diskette drive into the bay from the front until it snaps into position.
8. Connect the signal and power cables to the diskette drive.
9. To complete the installation, go to “Closing the cover and connecting cables” on page 113.

---

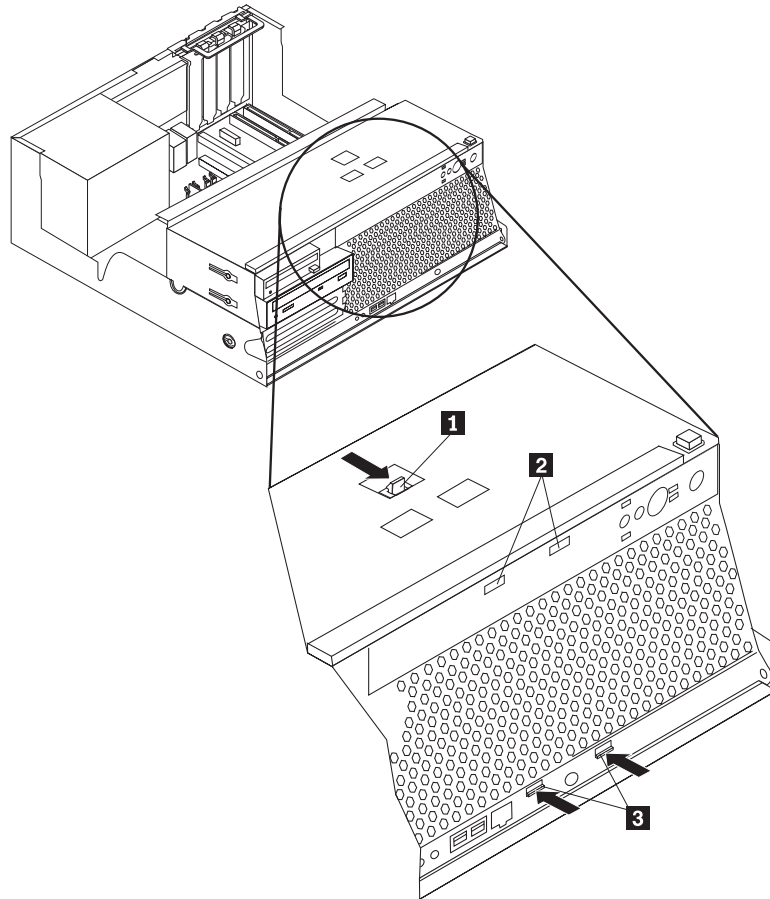
## Removing and replacing the fan assembly

1. Remove the cover. See “Removing the cover” on page 92.
2. Rotate the drive bay assembly upward to gain access to the fan baffle and fan assembly.



3. Disconnect the fan cable from the system board fan connector. See “Identifying parts on the system board” on page 95.

4. The fan assembly is made up of two pieces, an air baffle and the fan.  
Release the air baffle by pressing the plastic tab **1** as shown, then remove the air baffle from the inside of the rotating bay assembly.
5. Release the fan by pressing the two plastic tabs **3** as shown. Slide the fan downward until the retaining tabs **2** are released, then remove the fan from the inside of the rotating bay assembly.



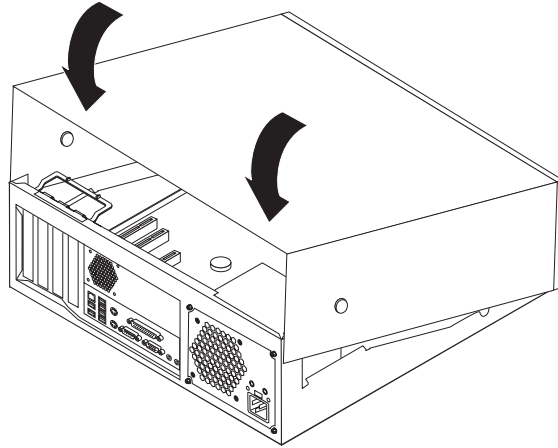
6. Position the new fan in the rotating bay assembly and snap it into place.
7. Position the new air baffle in the rotating bay assembly and snap it into place.
8. Reconnect the fan cable to the system board connector.
9. To complete the installation, go to “Closing the cover and connecting cables.”

---

## Closing the cover and connecting cables

After replacing FRUs, you need to install any removed parts, replace the cover, and reconnect any cables, including telephone lines and power cords.

1. Ensure that all components have been reassembled correctly and that no tools or loose screws are left inside your computer.
2. Lower the drive bay assembly to the normal position.
3. Clear any cables that might impede the replacement of the cover.
4. Position the cover over the chassis and pivot it down over the computer until it snaps into place.



5. Reconnect the external cables and power cords to the computer. See “Locating connectors on the rear of the computer” on page 92.
6. If a cover lock is installed, lock the cover.
7. Turn on the computer. To update the configuration, see Chapter 6, “Using the Setup Utility,” on page 55.
8. If you have replaced the system board, you must update (flash) the BIOS. See “Flash update procedures” on page 338.



---

## Chapter 9. Replacing FRUs (Types 8143, 8144, 8146, 8422, 8423, and 8427)

FRU replacements are to be done by trained service technicians only.

This chapter does not contain a remove and replace procedure for all FRUs. Only the major FRUs are documented in this manual.

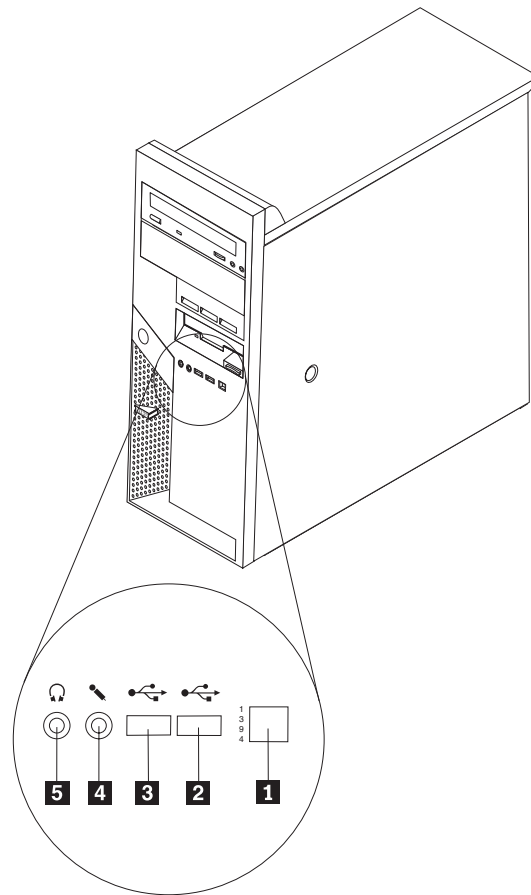
### Important

Before you install or remove any FRU, read Chapter 2, "Safety information," on page 5. These precautions and guidelines will help you work safely.

---

### Locating controls and connectors on the front of the computer

This section shows the various external connectors on the computer to which you can attach external devices.

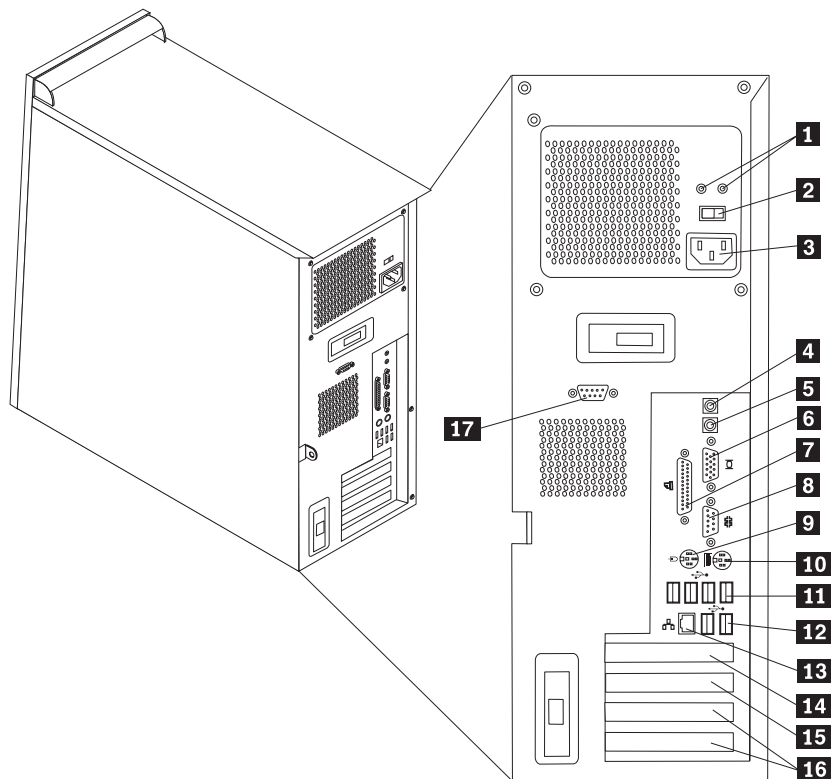


- 1** IEEE 1394 connector
- 2** USB connector
- 3** USB connector

- 4** Microphone connector
- 5** Headphone connector

## Locating connectors on the rear of the computer

The following illustration shows locations of connectors on the rear of the computer.



- |          |                                      |           |  |
|----------|--------------------------------------|-----------|--|
| <b>1</b> | Diagnostic LEDs                      | <b>10</b> | PS/2 mouse connector                   |
| <b>2</b> | Voltage selection switch             | <b>11</b> | USB connectors                         |
| <b>3</b> | Power connector                      | <b>12</b> | Ethernet connector                     |
| <b>4</b> | Audio line out connector             | <b>13</b> | USB connectors (4)                     |
| <b>5</b> | Audio line in connector              | <b>14</b> | PCI Express x1 connector               |
| <b>6</b> | VGA monitor connector                | <b>15</b> | PCI Express x16 connector              |
| <b>7</b> | Parallel connector                   | <b>16</b> | PCI connector (2)                      |
| <b>8</b> | Serial connector (COM 1)             | <b>17</b> | Serial connector (COM 2) (some models) |
| <b>9</b> | PS/2 <sup>®</sup> keyboard connector |           |  |

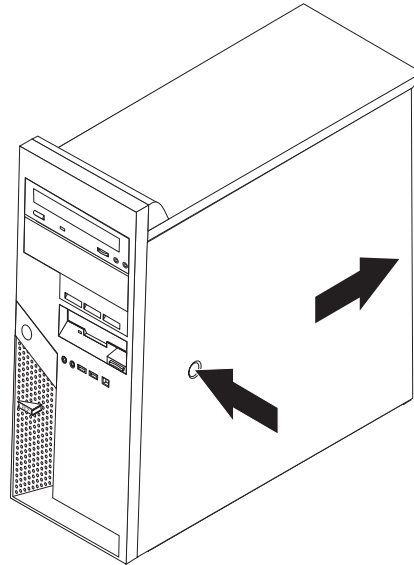
## Removing the cover

### Attention

Read Chapter 2, "Safety information," on page 5 and "Handling electrostatic discharge-sensitive devices" on page 8 "Handling electrostatic discharge-sensitive devices" on page 314 before opening the cover.

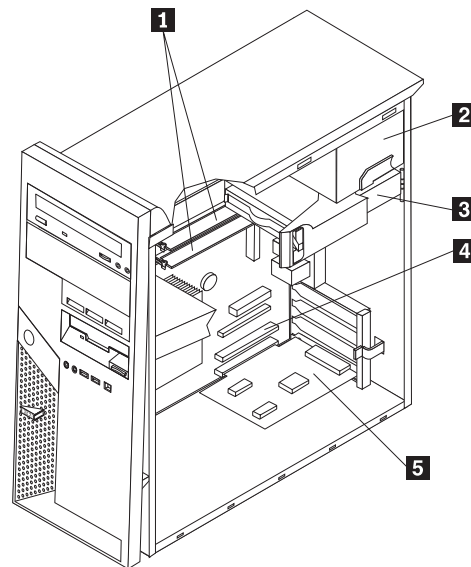
1. Shut down your operating system, remove any media (diskettes, CDs, or tapes) from the drives, and turn off all attached devices and the computer.
2. Unplug all power cords from electrical outlets.
3. Disconnect all cables attached to the computer. This includes power cords, input/output (I/O) cables, and any other cables that are connected to the computer.

4. Remove any locking devices that secure the cover.
5. Press the cover-release button on the right side cover, slide the cover to the rear, and lift off.



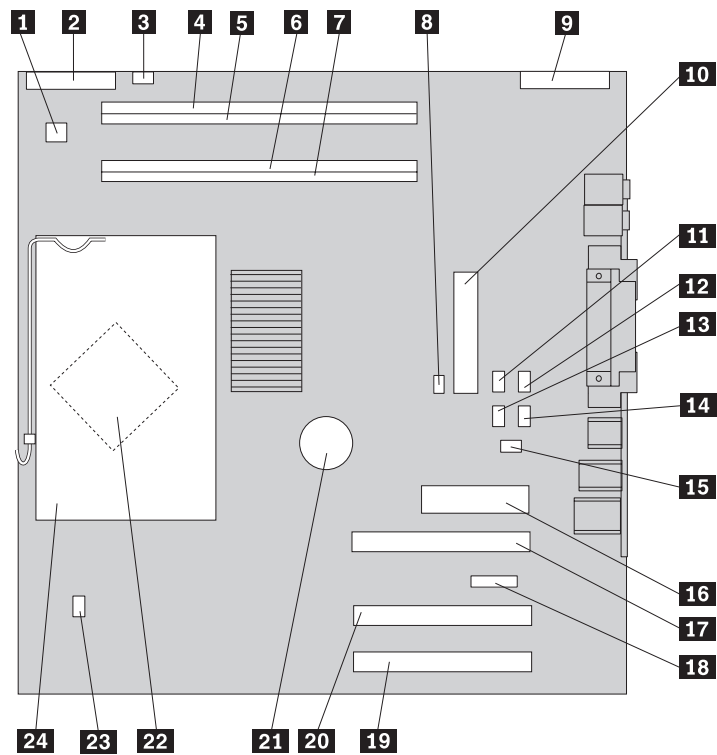
---

## Locating components



- |          |                      |
|----------|----------------------|
| <b>1</b> | Memory modules       |
| <b>2</b> | Power supply         |
| <b>3</b> | Hard disk drive      |
| <b>4</b> | PCI connector        |
| <b>5</b> | Optional PCI adapter |

## Identifying parts on the system board

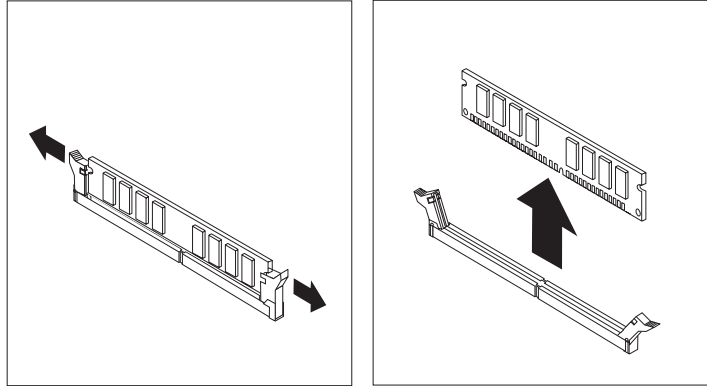


- |           |                            |           |                                      |
|-----------|----------------------------|-----------|--------------------------------------|
| <b>1</b>  | 12V power connector        | <b>14</b> | SATA 1 IDE connector                 |
| <b>2</b>  | Diskette drive connector   | <b>15</b> | Cover presence switch connector      |
| <b>3</b>  | Speaker connector          | <b>16</b> | Power supply connector               |
| <b>4</b>  | memory connector 4         | <b>17</b> | PCI Express (x16) graphics connector |
| <b>5</b>  | memory connector 3         | <b>18</b> | PCI Express x1 connector             |
| <b>6</b>  | memory connector 2         | <b>19</b> | PCI connector                        |
| <b>7</b>  | memory connector 1         | <b>20</b> | PCI connector                        |
| <b>8</b>  | Clear CMOS/Recovery jumper | <b>21</b> | Battery                              |
| <b>9</b>  | Front Panel connector      | <b>22</b> | Microprocessor                       |
| <b>10</b> | PATA IDE connector         | <b>23</b> | Microprocessor fan connector         |
| <b>11</b> | SATA 4 IDE connector       | <b>24</b> | Microprocessor heat sink             |
| <b>12</b> | SATA 3 IDE connector       |           |                                      |
| <b>13</b> | SATA 2 IDE connector       |           |                                      |

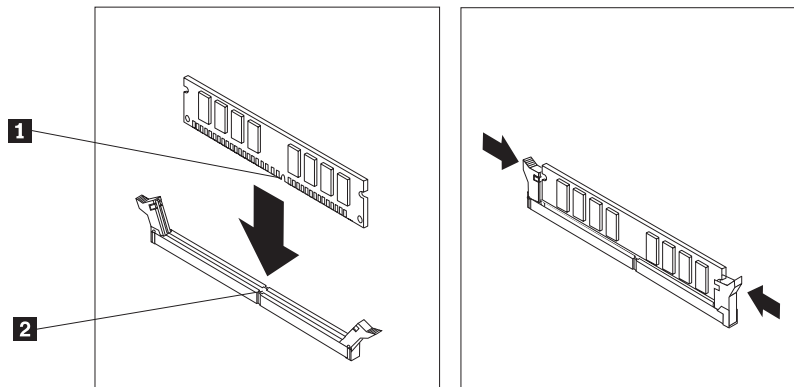
---

## Removing and replacing memory

1. Remove the cover. See “Removing the cover” on page 116.
2. Locate the memory connectors. See “Identifying parts on the system board” on page 118.
3. Open the retaining clips to remove an existing memory module.



4. Make sure the memory module notch **1** is aligned correctly with the connector key **2** on the memory connector. Insert the memory module straight down into the connector until the retaining clips close.

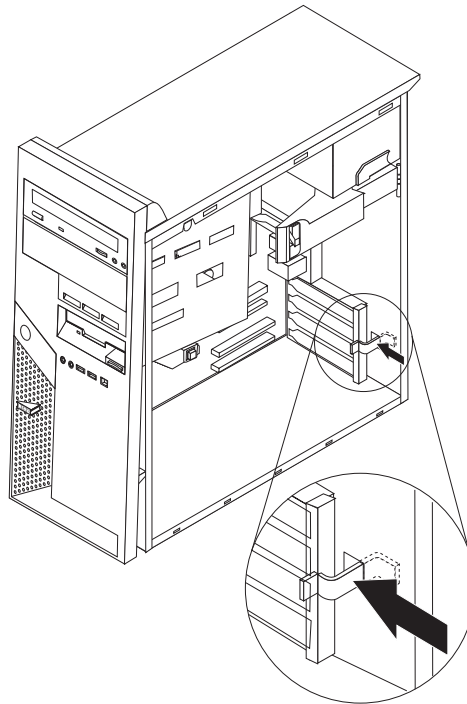


5. To complete the installation, go to “Replacing the cover and connecting the cables” on page 135.

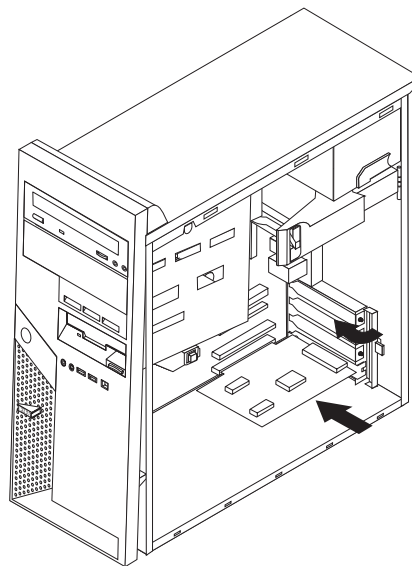
---

## Removing and replacing a PCI adapter

1. Remove the cover. See “Removing the cover” on page 116.
2. Unlatch the adapter latch and remove the PCI adapter being replaced.



3. Remove the failing adapter from the computer.
4. Remove the new adapter from its static-protective package.
5. Install the new adapter into the appropriate connector on the system board.
6. Close the adapter latch.

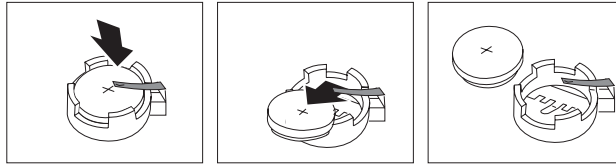


7. To complete the installation, go to “Replacing the cover and connecting the cables” on page 135.

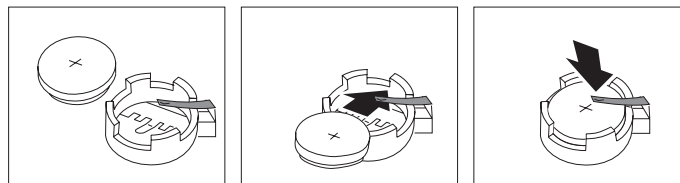
---

## Removing and replacing the battery

1. Open the cover. See “Removing the cover” on page 116.
2. Refer to “Identifying parts on the system board” on page 118 and locate the battery.
3. Remove any parts that impede access to the battery.
4. Remove the old battery.



5. Install the new battery.



6. Install any parts that were removed to gain access to the battery.
7. Replace the cover, and connect the cables. See “Replacing the cover and connecting the cables” on page 135.

**Note:** When the computer is turned on for the first time after battery replacement, an error message might be displayed. The Setup Utility will start automatically. This is normal after replacing the battery.

---

## Removing and replacing the power supply

### Attention

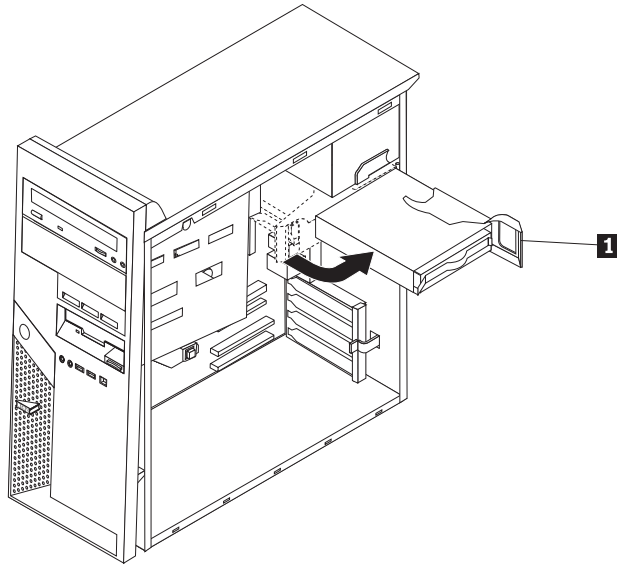
Never remove the cover on a power supply or any part that has the following label attached.



Hazardous voltage, current, and energy levels are present inside any component that has this label attached. There are no servicable parts inside these components.

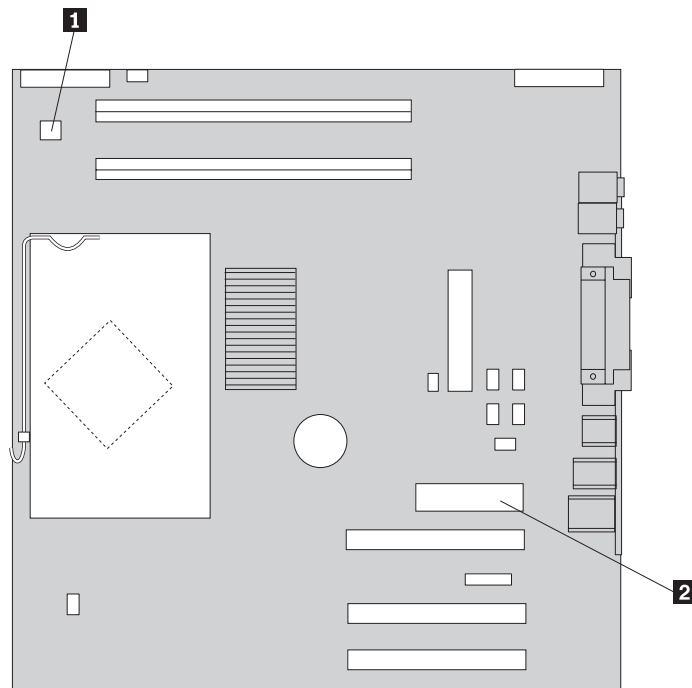
1. Remove the cover. See “Removing the cover” on page 116.

2. Press the release lever and rotate the hard disk drive outward using the blue handle **1**.



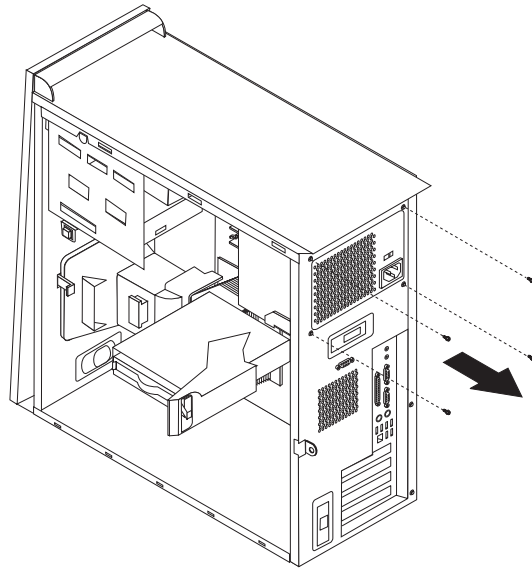
**Note:** As you disconnect power supply cables, note the location of each connector.

3. Disconnect the power supply cable connected to each of the drives.
4. Disconnect the power supply cables **1** and **2** from the system board.



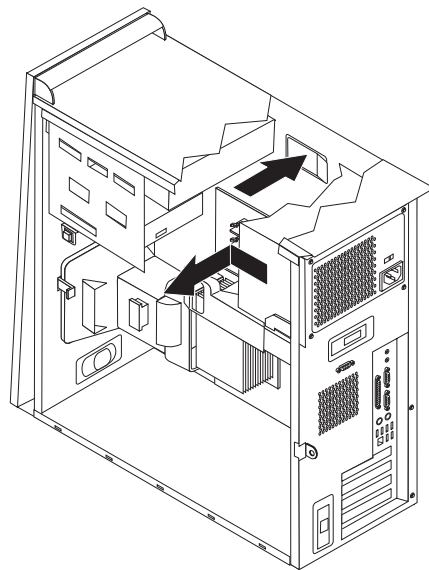


5. Remove the screws at the rear of the chassis that secure the power supply assembly.



6. Hold the power supply while pressing inward on the metal retainer then remove the power supply assembly from the computer.

**Note:** To allow removal of the power supply, the hard disk drive must be rotated outward until it is completely out of the way.



7. Install the new power supply assembly into the chassis so that the screw holes in the power supply assembly align with those in the chassis.

**Note:** Use only the screws provided by Lenovo.

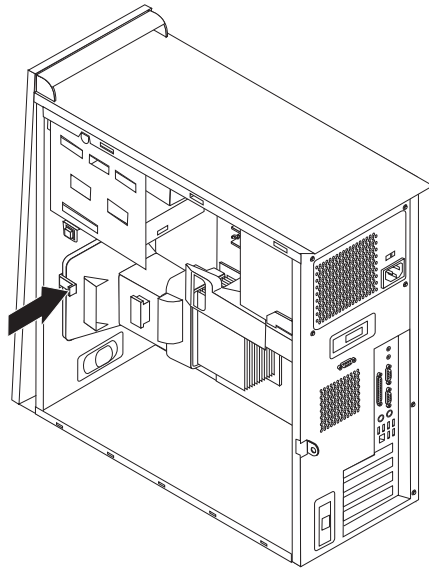
8. Install and tighten the screws at the rear of the chassis that secure the power supply assembly.
9. Reconnect the power supply connectors to the system board.
10. Reconnect the power supply connector to each of the drives.
11. Rotate the hard disk drive inward until it is latched into position.

12. Ensure that all components have been reassembled correctly and that no tools or loose screws are left inside your computer.
13. To finish the installation, see “Replacing the cover and connecting the cables” on page 135.

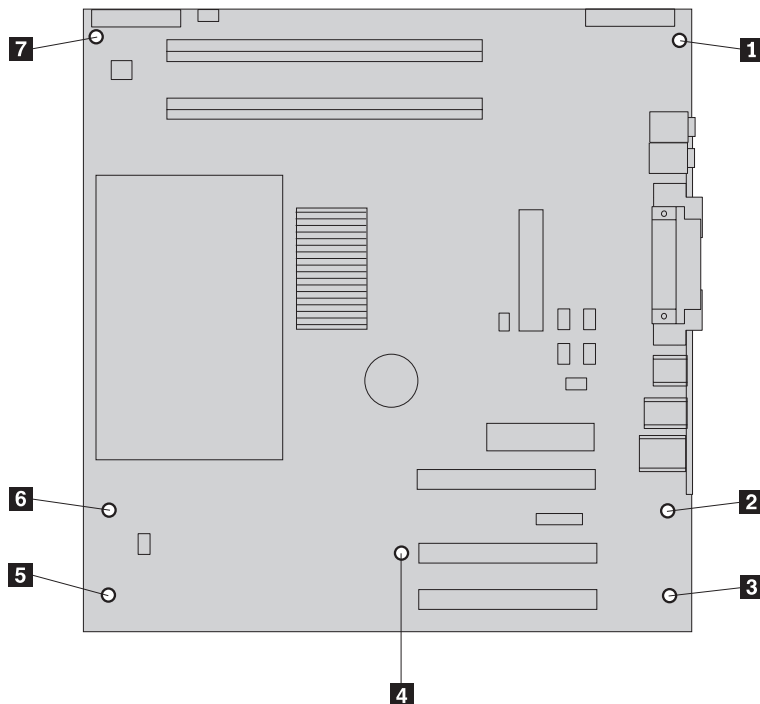
---

## Removing and replacing the system board

1. Remove the cover. See “Removing the cover” on page 116.
2. Disconnect all cables connected to the system board.
3. Remove any PCI adapters that are installed. See “Removing and replacing a PCI adapter” on page 120.
4. Remove the air baffle by pressing on the tab and pulling the air baffle up.



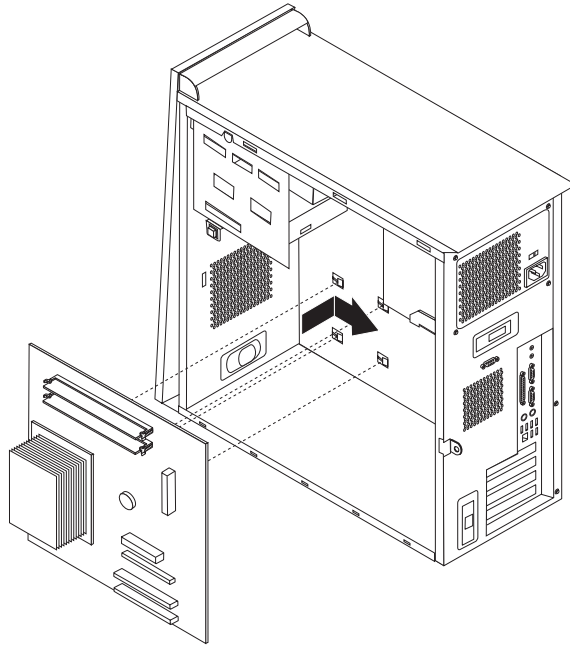
5. Remove the seven screws that attach the system board to the chassis.



6. Disengage the system board from the chassis by sliding it toward the front of the computer and then lift it out.
7. Place the defective system board next to the new system board on a clean, flat surface.
8. Note the location of the memory modules and remove them from the failing system board and install them on the new system board in the same location as they were on the failing system board. See “Removing and replacing memory” on page 119.
9. Remove the heat sink and microprocessor from the failing system board and install them on the new system board. Go to “Removing and replacing the microprocessor” on page 126.

Return here after removing and replacing the microprocessor.

10. Place the new the system board into the chassis making sure to engage the tabs into the plate on the bottom of the system board. Slide the system board toward the rear until the screw-holes are aligned and install the screws that secure the system board to the chassis.



11. Install any PCI adapters that were removed. See “Removing and replacing a PCI adapter” on page 120.
12. Reconnect all cables that were disconnected from the system board. See “Identifying parts on the system board” on page 118.
13. To complete the installation, go to “Replacing the cover and connecting the cables” on page 135.

---

## Removing and replacing the microprocessor

### **Important**

To allow the thermal interface between the microprocessor and the heat sink time to cool down, turn off the computer at least one hour before removing the microprocessor.

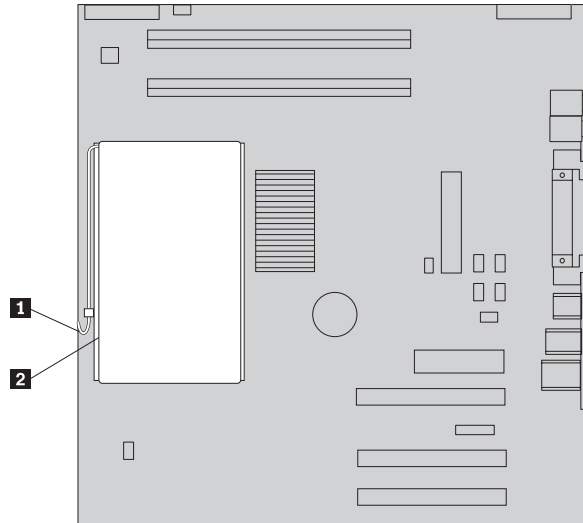
**Note:** This procedure is also used when replacing a failing system board.

When you receive a new microprocessor, you will also receive a new heat sink and vacuum pen for handling the microprocessor. You must install the new heat sink when replacing the microprocessor. If you use the old heat sink with the new microprocessor, the computer might over heat.

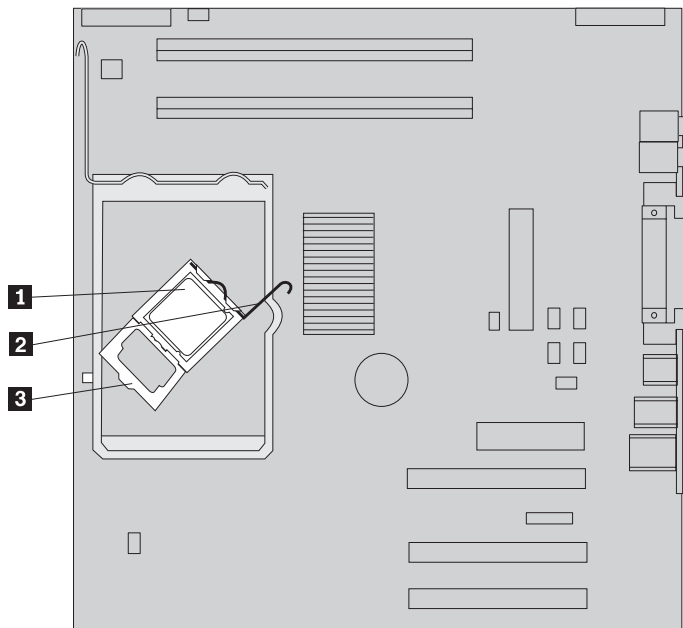
1. Remove the cover. See “Removing the cover” on page 116.

2. Remove the heat sink **2** from the system board by rotating the lever **1** on the heat sink until it is fully in the up position. Carefully lift the heat sink off the system board.

**Note:** If you are replacing the system board, place the heat sink on its side on a clean, flat surface. You must later install the heat sink on the new system board.



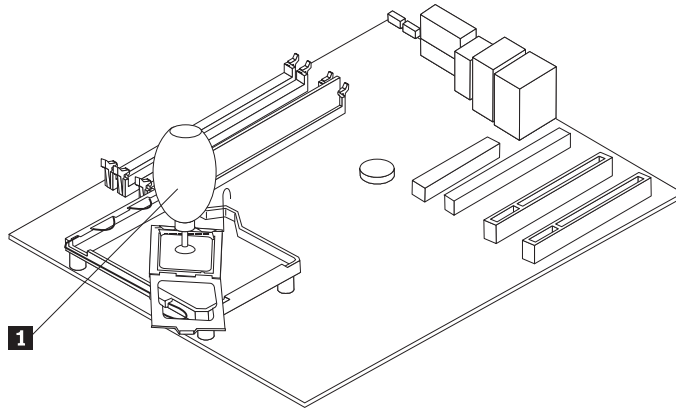
3. Release the lever **2** securing the microprocessor **1** then rotate the microprocessor retainer to the **3** fully open position.



- Using the vacuum pen **1**, remove the microprocessor from the system board socket by lifting it straight up and out of the socket.

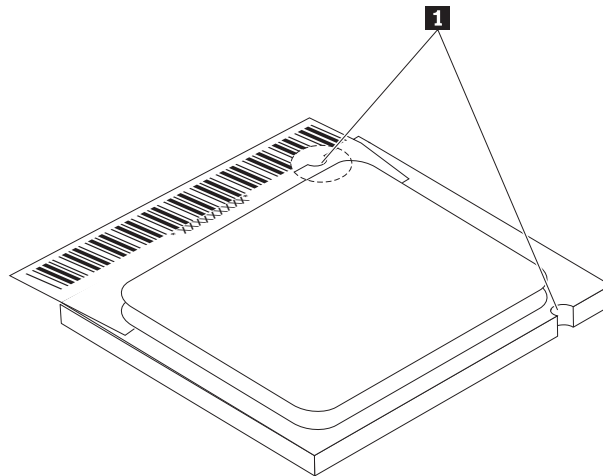
**Important**

Do not touch the gold contacts on the bottom of the microprocessor. If you must touch the microprocessor, touch only the sides.



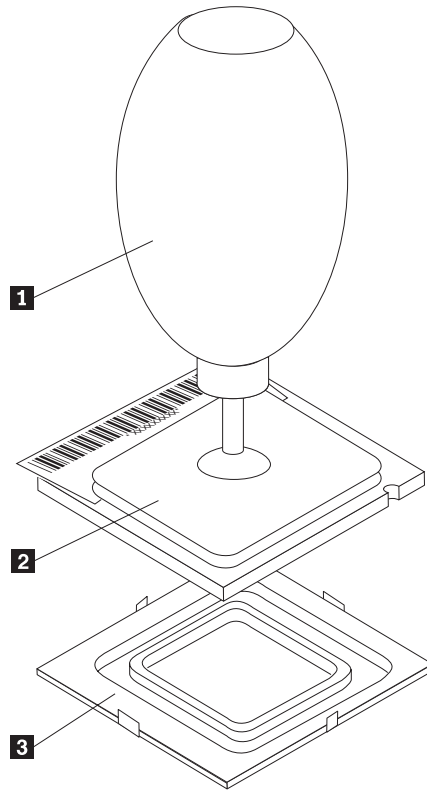
**Notes:**

- Take notice of the orientation of the notches **1** on the microprocessor. This is important when reinstalling the microprocessor on the system board.



- Be careful to not drop anything onto the microprocessor socket while it is exposed. The socket pins must be kept as clean as possible.
- Make sure that the microprocessor retainer is fully open.

6. Loosen the protective cover **3** that protects the gold contacts on the microprocessor **2** but do not remove it. Use the vacuum pen **1** to pick up the microprocessor then completely remove the cover.

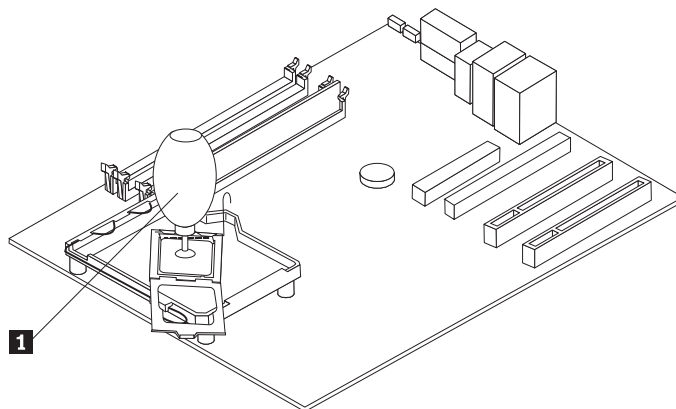


7. Position the microprocessor so that the notches on the microprocessor are aligned with the tabs in the microprocessor socket.

**Important**

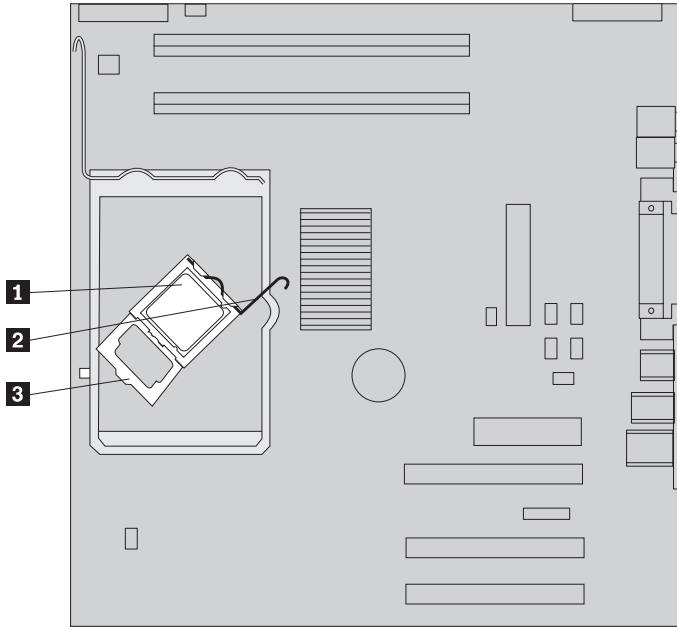
To avoid damaging the microprocessor contacts, do not tilt the microprocessor when installing it into the socket.

8. Using the vacuum pen, lower the microprocessor straight down into the microprocessor socket.



9. Close the microprocessor retainer **3** and then secure the retainer with the lever **2**.

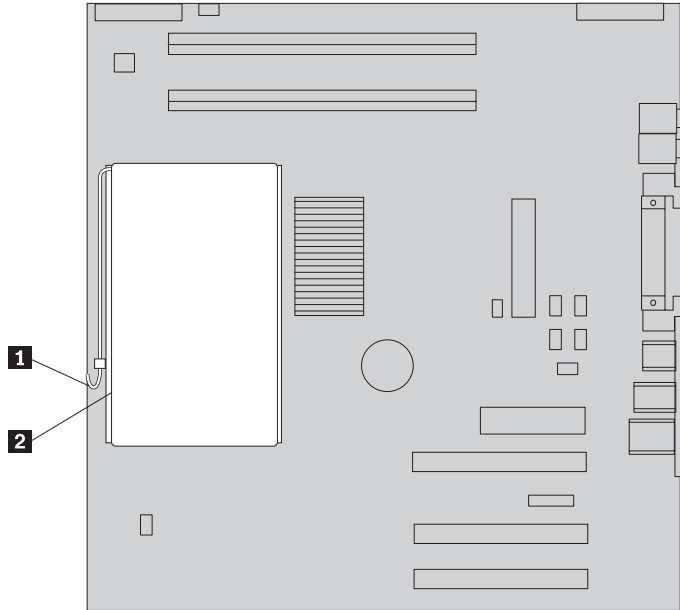
**Note:** If you are replacing the system board, a black protective cover on the retainer protects the microprocessor socket. When you close the retainer, remove the cover.





- Slide the heat sink **2** under the lip and into position on the microprocessor. Lower the lever **1** to secure the heat sink.

**Note:** When you receive a new microprocessor, you will also receive a new heat sink. You must install the new heat sink when replacing the microprocessor.

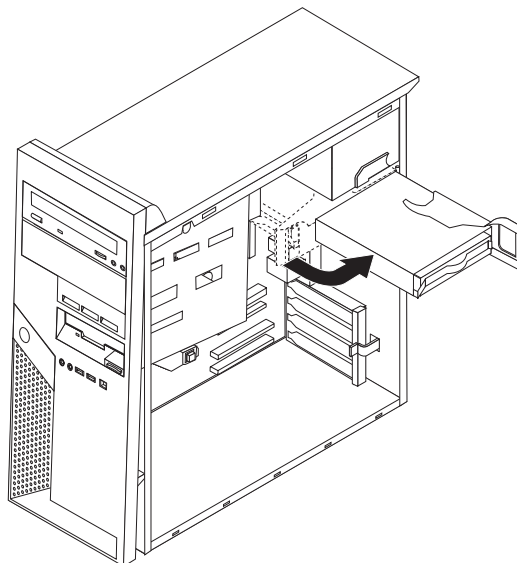


- If you are replacing the system board, continue at “Removing and replacing the system board” on page 124. If you are replacing a failing microprocessor, continue to the next step.
- To complete the installation, go to “Replacing the cover and connecting the cables” on page 135.

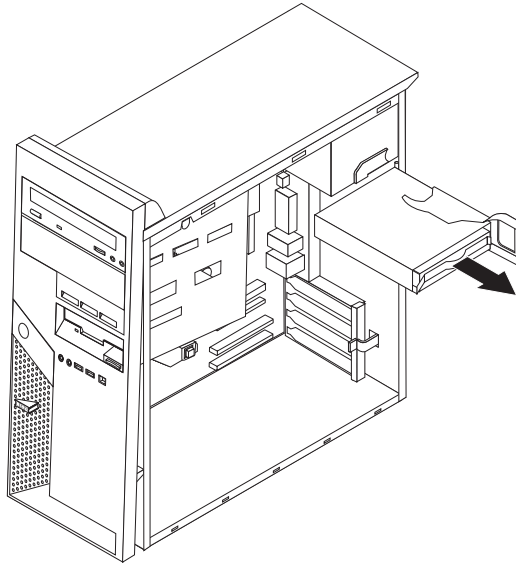
---

## Removing and replacing the hard disk drive

- Remove the cover. See “Removing the cover” on page 116.
- Rotate the HDD outward.



3. Disconnect the signal and power cables from the rear of the hard disk drive.
4. By pulling on the blue handle, remove the hard disk drive and plastic bracket from the drive bay.

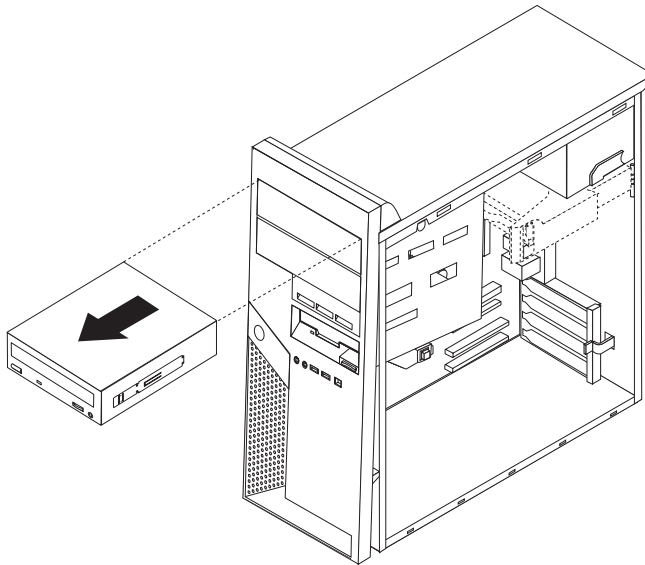


5. Note the orientation of the hard disk drive in the plastic bracket.
6. Remove the drive by flexing the plastic enough to slide the drive out.
7. Install the new hard disk drive into the plastic bracket by flexing the plastic enough to insert the drive.
8. Install the hard disk drive and bracket into the bay until it snaps into position.
9. Reconnect the signal and power cables to the drive.
10. To complete the installation, go to “Replacing the cover and connecting the cables” on page 135.

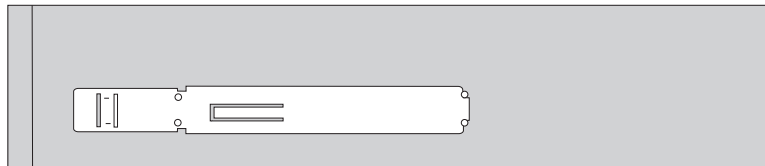
---

## Removing and replacing the optical drive

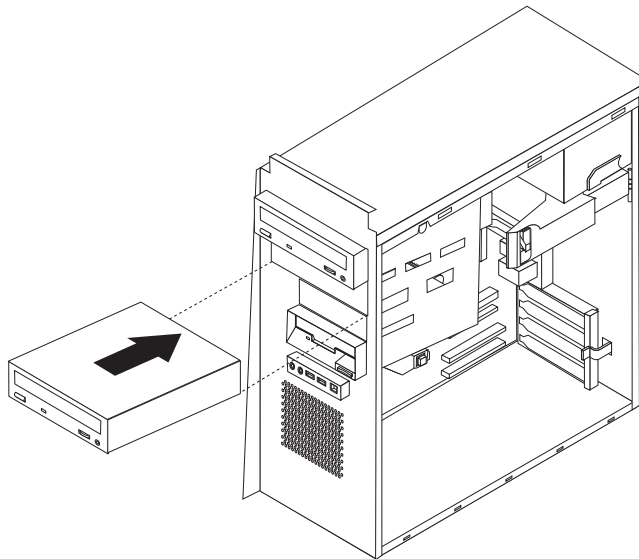
1. Remove the cover. See “Removing the cover” on page 116.
2. Disconnect the signal and power cables from the rear of the optical drive.
3. Release the optical disk drive by pressing on the blue retainer lever at the side of the drive and removing it from the front of the computer.



4. Remove the retainer bracket from the failing drive and install it on the new drive.



5. Install the optical drive into the bay until it snaps into position.



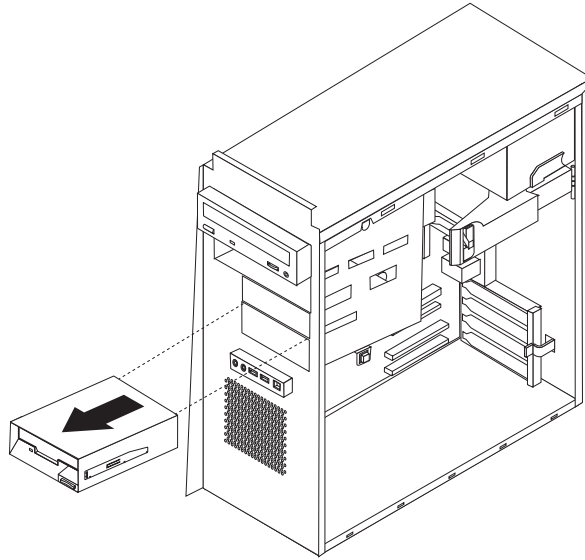
6. Connect the signal and power cables to the drive.
7. To complete the installation, go to “Replacing the cover and connecting the cables” on page 135.

---

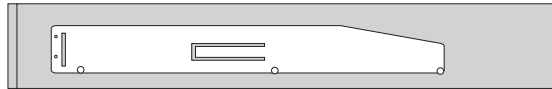
## Removing and replacing the diskette drive

1. Remove the cover. See “Removing the cover” on page 116.
2. Disconnect the signal and power cables from the rear of the diskette drive.

3. Release the diskette disk drive by pressing on the blue retainer lever at the side of the drive and removing it from the front of the computer.



4. Remove the retainer bracket from the failing drive and install it on the new drive.



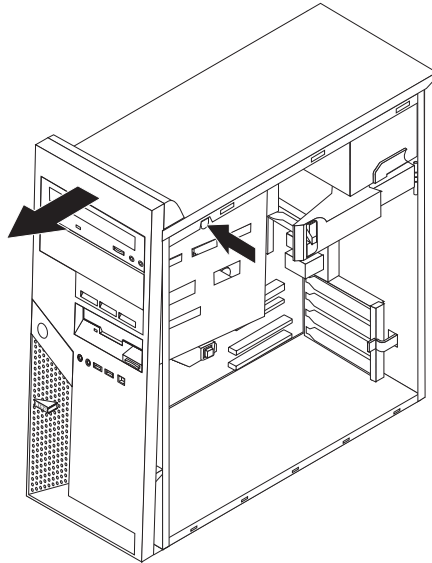
5. Install the diskette drive into the bay until it snaps into position.
6. Connect the signal and power cables to the drive.
7. To complete the installation, go to “Replacing the cover and connecting the cables” on page 135.

---

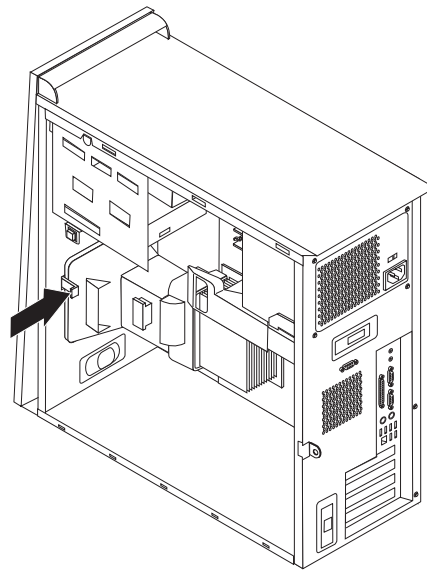
## Removing and replacing the fan assembly

1. Remove the cover. See “Removing the cover” on page 116.
2. Disconnect the fan cable from the system board fan connector. See “Identifying parts on the system board” on page 118.
3. It is not necessary to remove the front bezel to replace the fan assembly. However, it might make it a little easier.

To release the front bezel from the chassis, press on the blue button at the top and pull the bezel outward as shown.



4. The fan assembly is made up of two pieces, an air baffle and the fan. Release the fan assembly by pressing on the tab and pulling it outward.



5. Align the new fan assembly to the holes in the chassis and slide it inward until it is latched into position.
6. Reconnect the fan cable to the system board connector.
7. Reinstall the bezel if it was removed.
8. To complete the installation, go to “Replacing the cover and connecting the cables.”

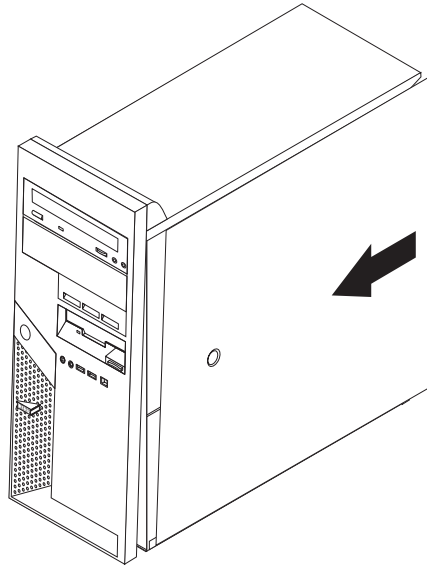
---

## Replacing the cover and connecting the cables

After replacing the hardware, you need to install any removed parts, replace the cover, and reconnect any cables, including telephone lines and power cords. Also, depending on the FRU that was replaced, you might need to confirm the updated information in the Setup Utility program.

1. Ensure that all components have been reassembled correctly and that no tools or loose screws are left inside your computer.

2. Clear any cables that might impede the replacement of the cover.
3. Position the cover on the chassis so that the rail guides on the bottom of the cover engage the rails and push the cover closed until it latches.



4. Reconnect the external cables and the power cord to the computer. See "Locating connectors on the rear of the computer" on page 116.
5. Turn on the computer. To update the configuration, see Chapter 6, "Using the Setup Utility," on page 55.
6. If you have replaced the system board, you must update (flash) the BIOS. See "Flash update procedures" on page 338.

---

## Chapter 10. Replacing FRUs (Types 8098, 8171, 8172, 8173, 8424, and 8425)

FRU replacements are to be done by trained service technicians only.

This chapter does not contain a remove and replace procedure for all FRUs. Only the major FRUs are documented in this manual.

**Important:**

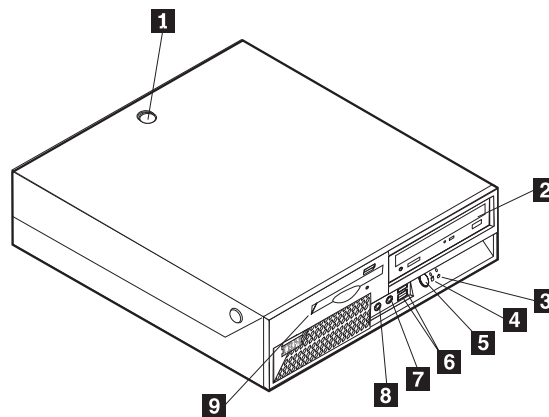
Before you install or remove any FRU, read Chapter 2, "Safety information," on page 5. These precautions and guidelines will help you work safely.

---

### Locating controls and connectors on the front of the computer

The following illustration shows the locations of the connectors on the front of the computer.

**Note:** Not all computer models will have the following connectors.

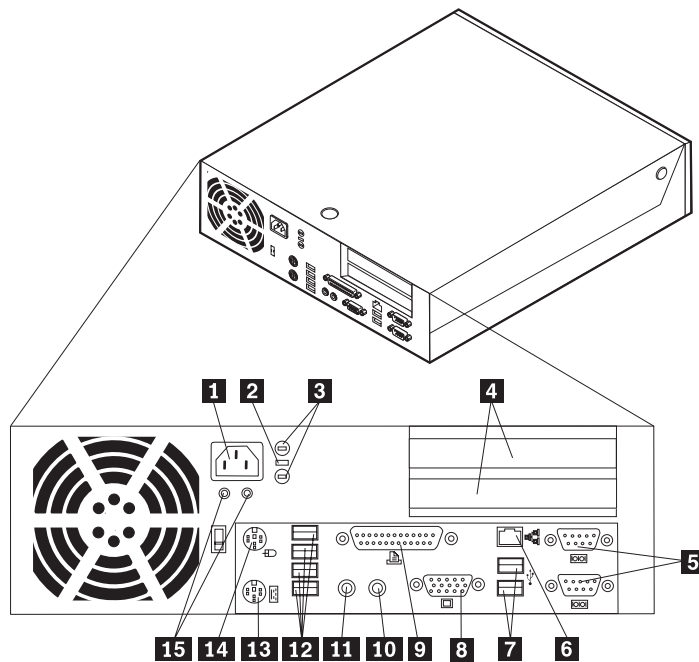


- |          |                                    |          |                                |
|----------|------------------------------------|----------|--------------------------------|
| <b>1</b> | Cover keylock (some models)        | <b>6</b> | USB connectors (2)             |
| <b>2</b> | CD or DVD drive                    | <b>7</b> | Microphone connector (line in) |
| <b>3</b> | Hard disk drive activity indicator | <b>8</b> | Headphone connector (line out) |
| <b>4</b> | Power-on indicator                 | <b>9</b> | Diskette drive                 |
| <b>5</b> | Power button                       |          |                                |

---

## Locating connectors on the rear of the computer

The following illustration shows locations of connectors on the rear of the computer.



- |          |                          |           |                                      |
|----------|--------------------------|-----------|--------------------------------------|
| <b>1</b> | Power cord connector     | <b>9</b>  | Parallel connector                   |
| <b>2</b> | Cable lock latch         | <b>10</b> | Audio line-in connector              |
| <b>3</b> | Rope clip (U-bolt) holes | <b>11</b> | Audio line-out connector             |
| <b>4</b> | PCI adapter connectors   | <b>12</b> | USB connectors (4)                   |
| <b>5</b> | Serial connectors (2)    | <b>13</b> | PS/2 <sup>®</sup> keyboard connector |
| <b>6</b> | Ethernet connector       | <b>14</b> | PS/2 mouse connector                 |
| <b>7</b> | USB connectors (2)       | <b>15</b> | Diagnostic LEDs                      |
| <b>8</b> | VGA monitor connector    |           |                                      |

---

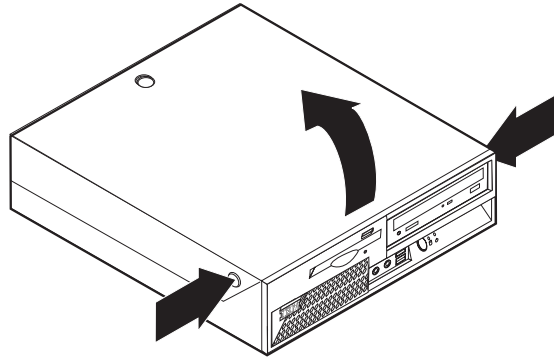
## Opening the cover

### Attention

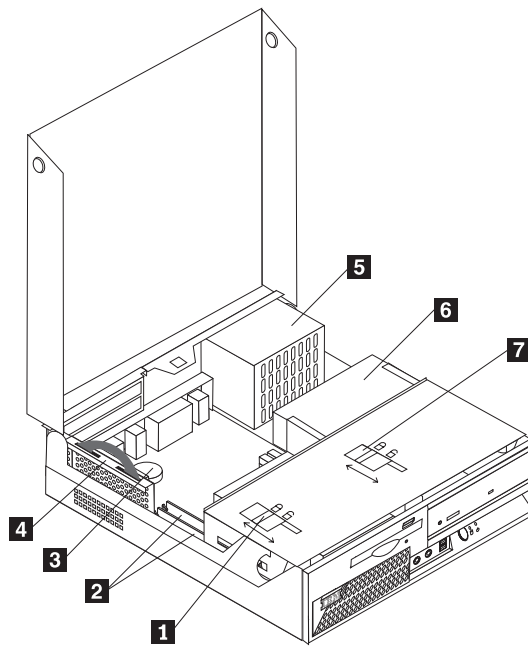
Read Chapter 2, "Safety information," on page 5 and "Handling electrostatic discharge-sensitive devices" on page 8 "Handling electrostatic discharge-sensitive devices" on page 314 before opening the cover.

1. Shut down your operating system, remove any media (diskettes, CDs, or tapes) from the drives, and turn off all attached devices and the computer.
2. Unplug all power cords from electrical outlets.
3. Disconnect all cables attached to the computer. This includes power cords, input/output (I/O) cables, and any other cables that are connected to the computer.
4. Remove the floor stand, if attached.
5. If a cover lock is installed, unlock the cover.
6. Press inward on the two buttons and rotate the top cover upward as illustrated.



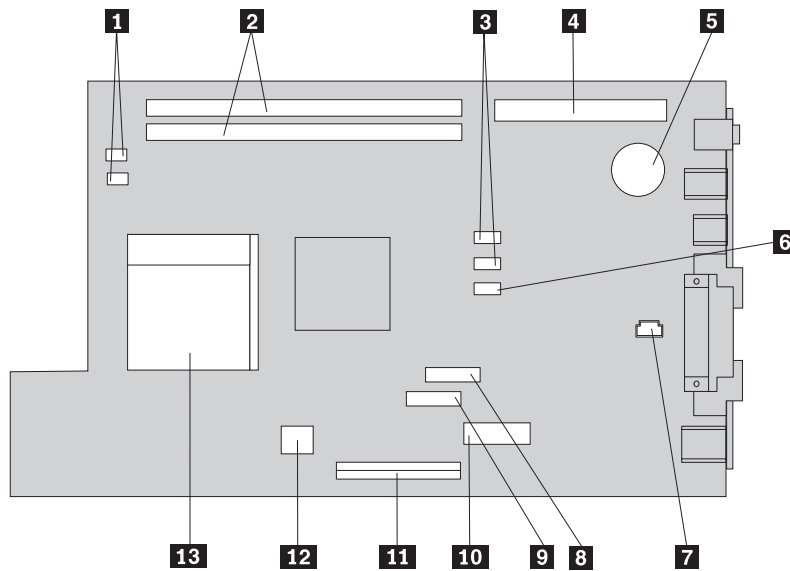


## Locating components



- 1** Diskette drive lock
- 2** Memory connectors (2)
- 3** Battery
- 4** PCI riser assembly
- 5** Power supply
- 6** Optical drive (hard disk drive is under the optical drive)
- 7** Optical drive lock

## Identifying parts on the system board

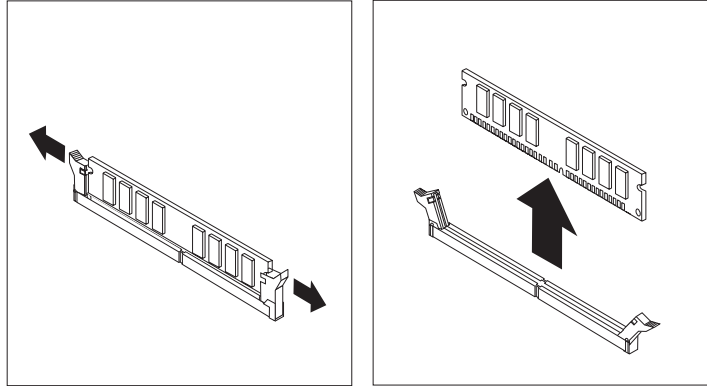


- |          |  |           |   |
|----------|--|-----------|---|
| <b>1</b> | Fan connectors (2)                                       | <b>8</b>  | Diskette drive connector                                      |
| <b>2</b> | Memory connectors (2)                                    | <b>9</b>  | Front panel connector   |
| <b>3</b> | SATA 1 IDE and SATA 2 IDE hard disk drive connectors (2) | <b>10</b> | Power connector   |
| <b>4</b> | PCI riser connector                                      | <b>11</b> | PATA Primary IDE connector (hard disk drive and CD-ROM drive) |
| <b>5</b> | Battery  | <b>12</b> | Power connector   |
| <b>6</b> | Clear CMOS/BIOS recovery jumper                          | <b>13</b> | Microprocessor  |
| <b>7</b> | Speaker connector  |           |   |

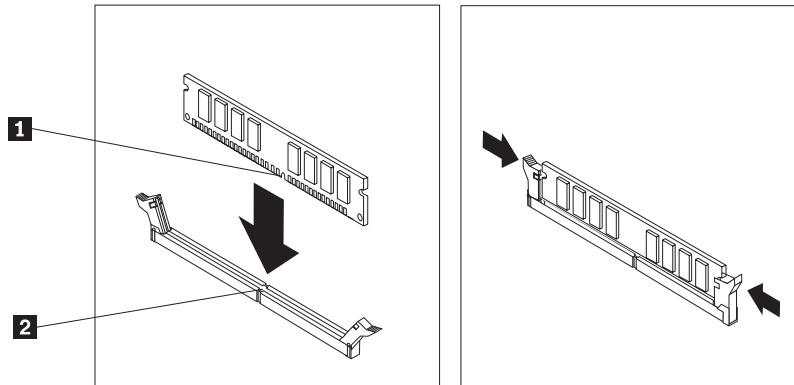
---

## Removing and replacing memory

1. Open the cover. See “Opening the cover” on page 138.
2. Locate the memory connectors. See “Identifying parts on the system board” on page 140.
3. Open the retaining clips to remove an existing memory module.



4. Make sure the memory module notch **1** is aligned correctly with the connector key **2** on the memory connector. Insert the memory module straight down into the connector until the retaining clips close.

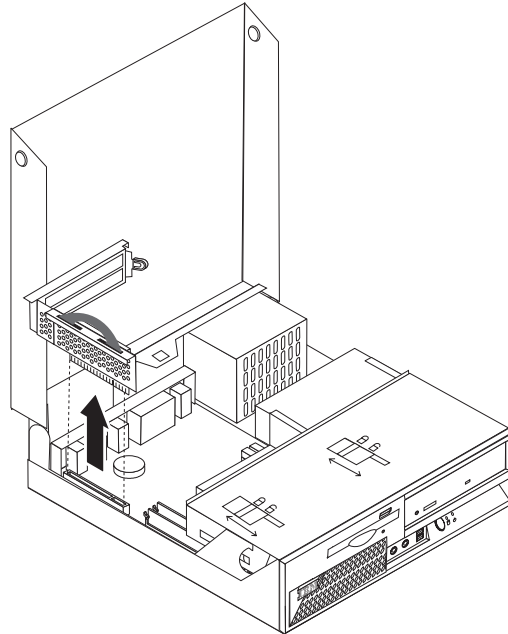


5. To complete the installation, go to “Closing the cover and connecting cables” on page 159.

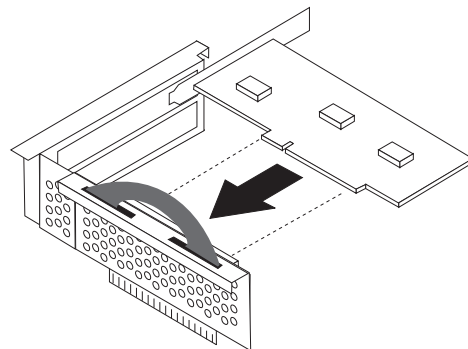
---

## Replacing a PCI adapter

1. Open the cover. See “Opening the cover” on page 138.
2. While holding the left rear of the computer chassis down, pull upward on the handle provided to remove the PCI riser including any adapters that are already installed.



3. Remove the PCI adapter being replaced from the riser.
4. Remove the new PCI adapter from its static-protective package.
5. Install the adapter into the appropriate connector in the PCI riser.

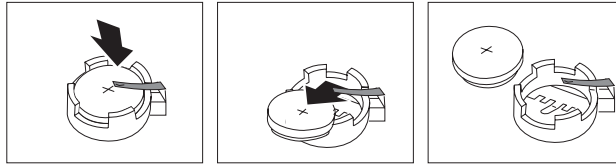


6. Position the adapter latch to retain the adapters.
7. Reinstall the PCI riser and adapters.
8. To complete the installation, go to “Closing the cover and connecting cables” on page 159.

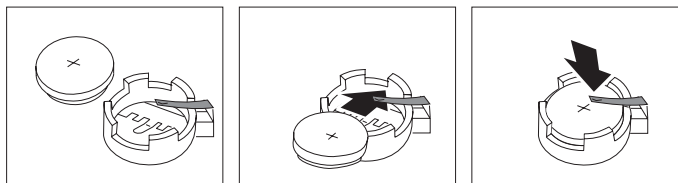
---

## Removing and replacing the battery

1. Open the cover. See “Opening the cover” on page 138.
2. Locate the battery on the system board. See “Identifying parts on the system board” on page 140.
3. Remove any parts that impede access to the battery.
4. Remove the old battery.



5. Install the new battery.



6. Install any parts that were removed to gain access to the battery.
7. To complete the installation, go to “Closing the cover and connecting cables” on page 159.

**Note:** When the computer is turned on for the first time after battery replacement, an error message might be displayed. The Setup Utility will start automatically. This is normal after replacing the battery.

---

## Removing and replacing the power supply

### Attention

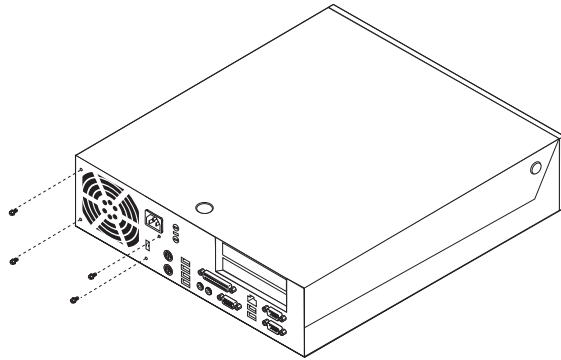
Never remove the cover on a power supply or any part that has the following label attached.



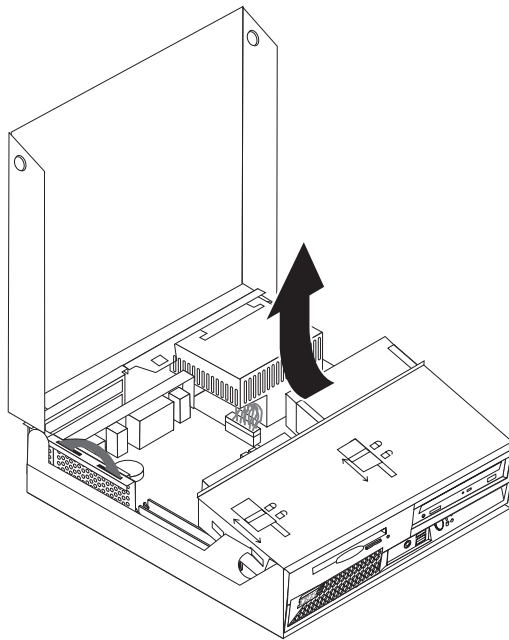
Hazardous voltage, current, and energy levels are present inside any component that has this label attached. There are no servicable parts inside these components.

1. Open the cover. See “Opening the cover” on page 138.

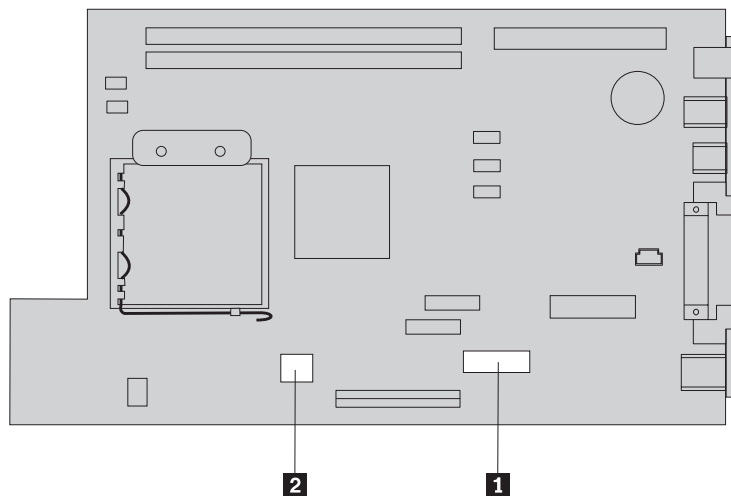
2. Close the cover and remove the four screws at the rear of the chassis.



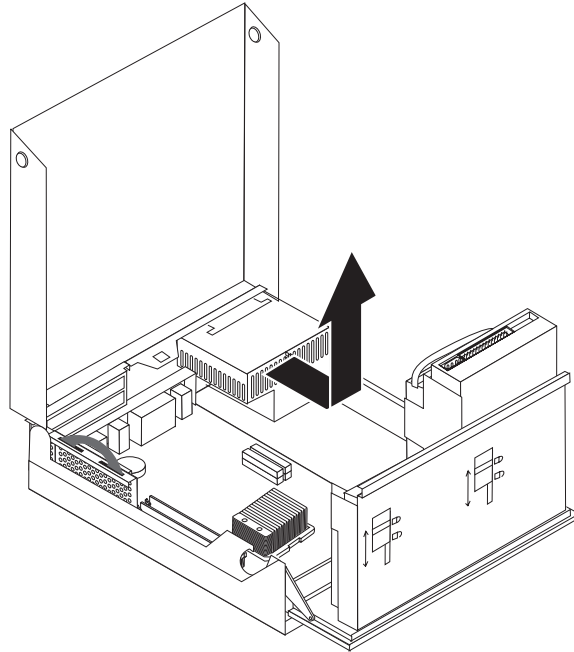
3. Open the cover and rotate the drive bay assembly upward to gain access to the power supply cable connections.



4. Disconnect the power supply cables from all the drives.
5. Disconnect power supply connectors **1** and **2** from the system board.



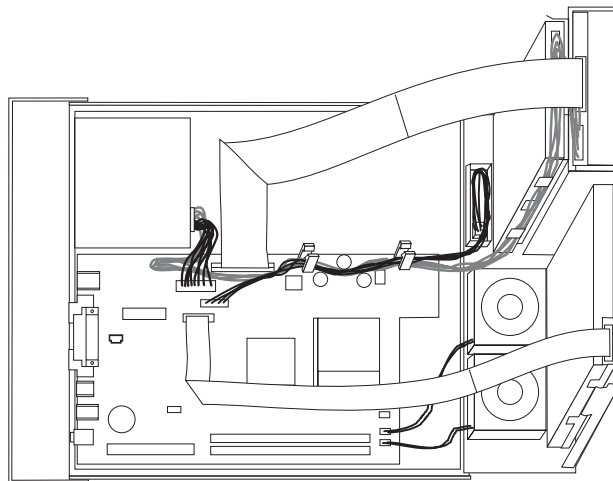
6. Remove the power supply assembly from the computer.



7. Install the new power supply assembly into the chassis so that the screw holes in the power supply assembly align with those in the chassis.

**Note:** Use only the screws provided by Lenovo.

8. Install and tighten the four power supply assembly screws into the rear of the chassis.
9. Reconnect the power supply connectors to the system board.
10. Reconnect the power supply connectors to the drives.
11. Use the following illustration to route the cables correctly. It is important to correctly route all power supply cables to avoid interference when lowering the drive bay assembly.

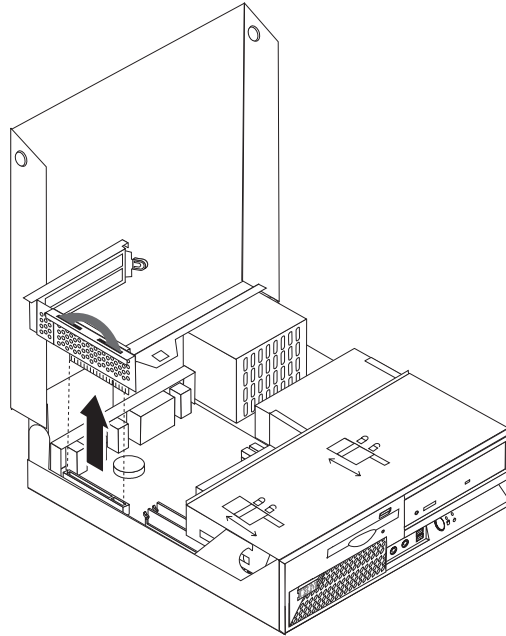


12. Ensure that all components have been reassembled correctly and that no tools or loose screws are left inside the computer.
13. Lower the drive bay assembly.
14. To complete the installation, go to “Closing the cover and connecting cables” on page 159.

---

## Removing and replacing the system board

1. Open the cover. See “Opening the cover” on page 138.
2. While holding the left rear of the computer chassis down, pull upward on the handle provided, to remove the PCI riser card assembly along with any adapters.



3. Disconnect all cables connected to the system board. See “Identifying parts on the system board” on page 140.
4. Using the two blue handles provided, lift the system board assembly out of the computer.

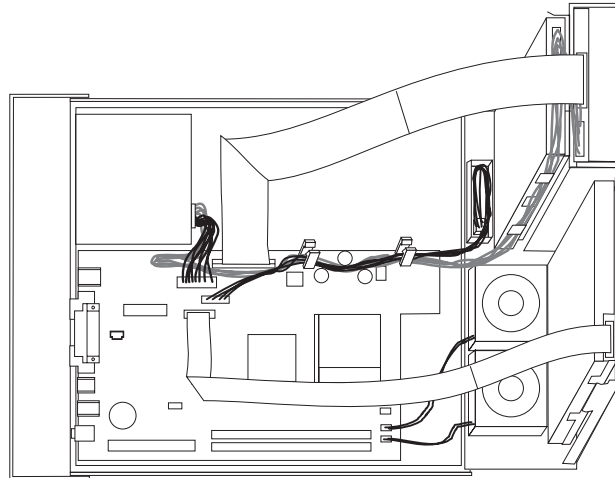
**Note:** You will have to tilt the system board assembly and move it around the edge of the power supply assembly to remove it from the computer.

5. Note the location of the memory modules and remove them from the failing system board and install them on the new system board in the same location as they were on the failing system board. See “Removing and replacing memory” on page 141.
6. Remove the heat sink and microprocessor from the failing system board and install them on the new system board. See “Removing and replacing the microprocessor” on page 147.

Continue to the next step after installing the heat sink and microprocessor on the new system board.

7. Install the new system board assembly into the computer chassis by aligning the two tabs on the rear of the system board assembly with the slots in the rear of the computer chassis. Slide the system board assembly to the rear until the front edge of the system board assembly fits behind the flange in the front and is seated flush to the bottom of the chassis.
8. Reconnect all cables that were disconnected from the system board. Make sure all cables are routed correctly.





9. Reinstall the PCI riser card and any adapters.
10. Lower the drive bay assembly into the normal position.
11. To complete the installation, go to “Closing the cover and connecting cables” on page 159.

---

## Removing and replacing the microprocessor

### Important

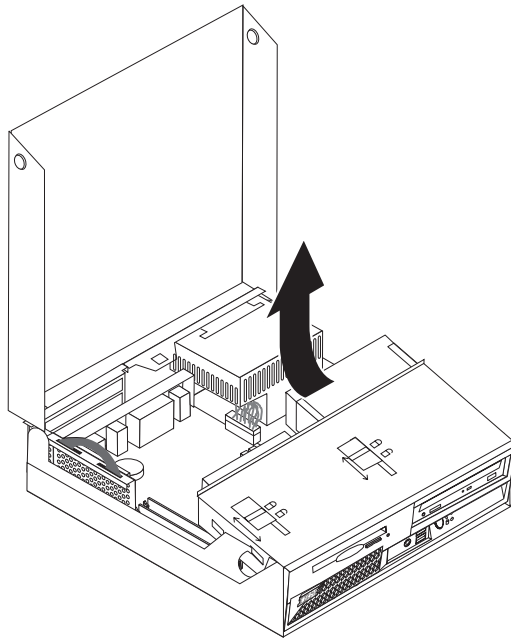
To allow the thermal interface between the microprocessor and the heat sink time to cool down, turn off the computer at least one hour before removing the microprocessor.

**Note:** This procedure is also used when replacing a failing system board.

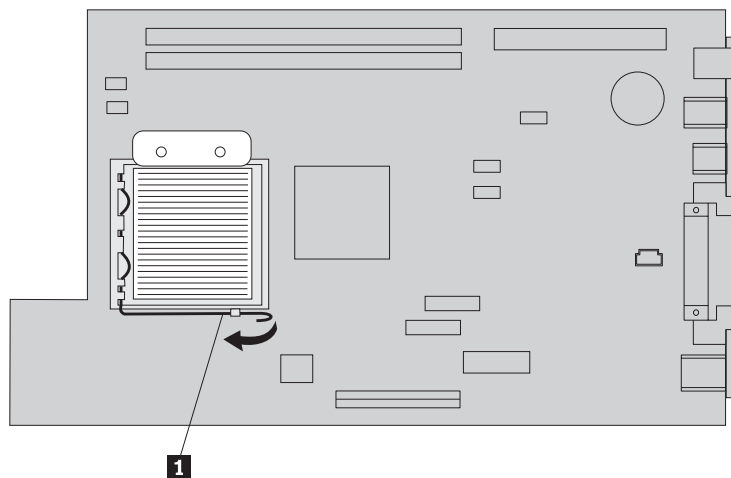
When you receive a new microprocessor, you will also receive a new heat sink and vacuum pen for handling the microprocessor. You must install the new heat sink when replacing the microprocessor. If you use the old heat sink with the new microprocessor, the computer might over heat.

1. Open the cover. See “Opening the cover” on page 138.

2. Rotate the drive bay assembly upward to gain access to the system board.



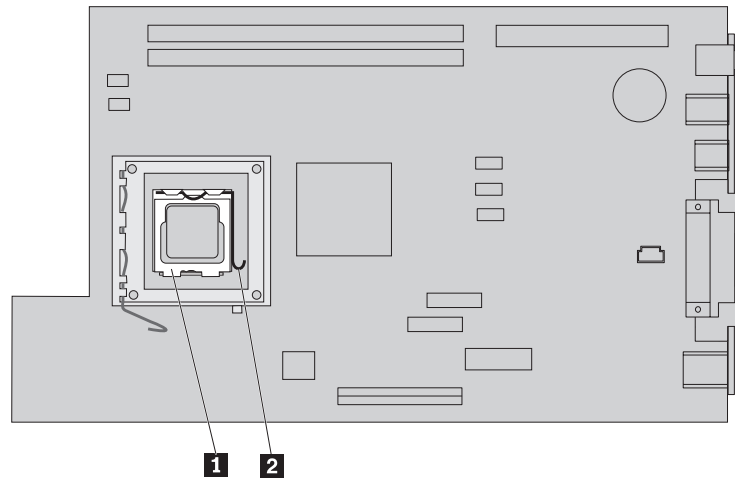
3. Release the lever **1** securing the microprocessor heat sink.



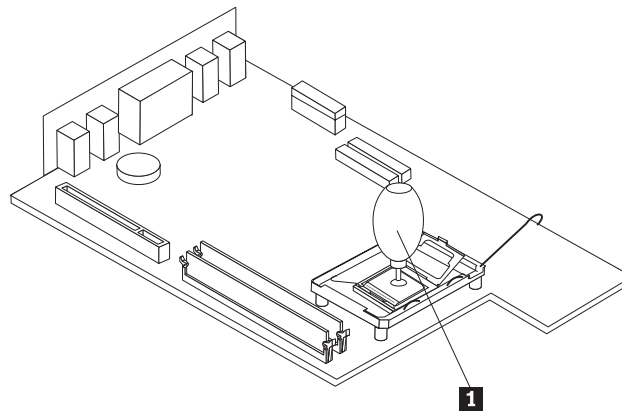
4. Carefully lift the heat sink off the system board.

**Note:** If you are replacing the system board, place the heat sink on its side on a clean, flat surface. You must later install the heat sink on the new system board.

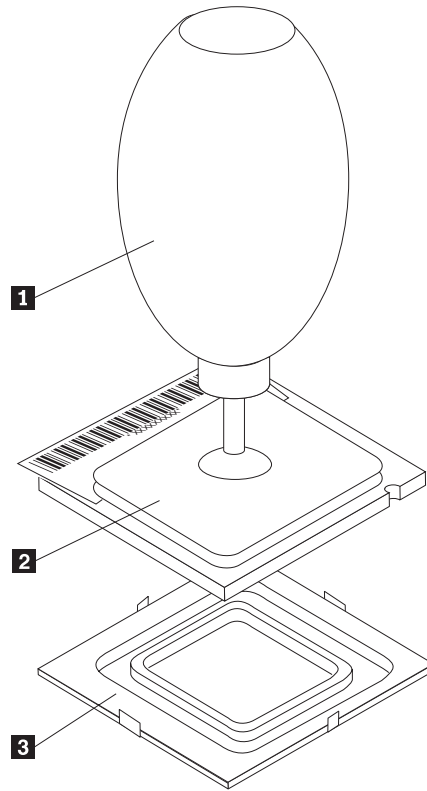
5. Release the lever **2** securing the microprocessor retainer **1**. Rotate the retainer to the fully open position.



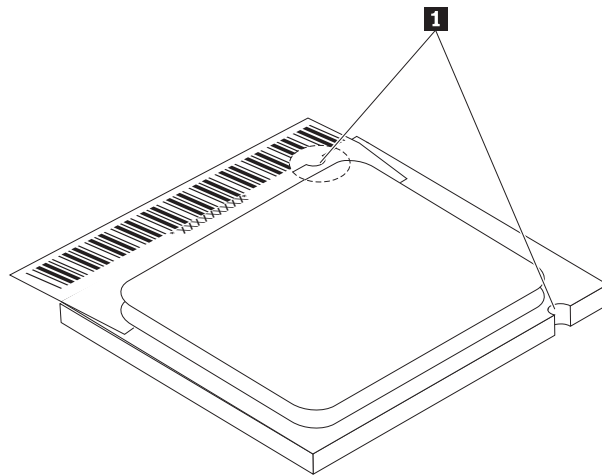
6. Use the vacuum pen **1** to lift the microprocessor straight up and out of the socket.



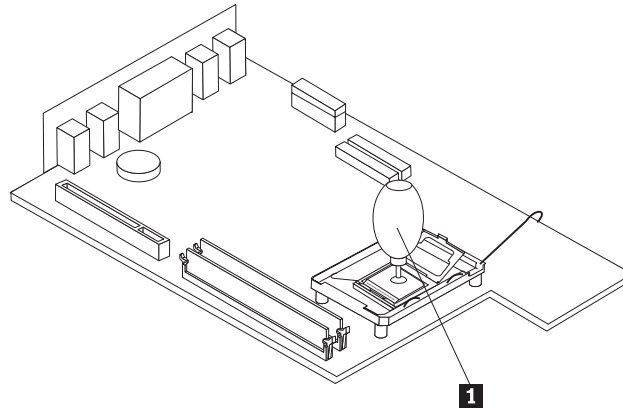
7. Loosen the black protective cover **3** that protects the gold contacts on the microprocessor **2** but do not remove it. Use the vacuum pen **1** to pick up the microprocessor then completely remove the cover.



8. Align the notches **1** on the new microprocessor with the tabs on the microprocessor socket.



- Using the vacuum pen, lower the microprocessor straight down into the microprocessor socket.



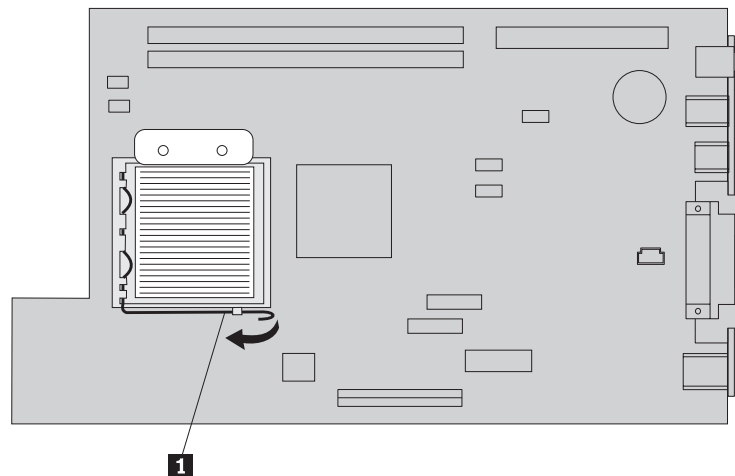
**Important**

To avoid damaging the microprocessor contacts, do not tilt the microprocessor when installing it into the socket.

- Lower the microprocessor retainer and secure it with the lever.

**Note:** If you are replacing the system board, a black protective cover on the retainer protects the microprocessor socket. When you close the retainer, remove the cover.

- Slide the heat sink under the lip and into position on the microprocessor.
- Position the lever **1** to secure the heat sink.



- If you are replacing the system board, return to the system board procedure. Otherwise, go to "Closing the cover and connecting cables" on page 159.

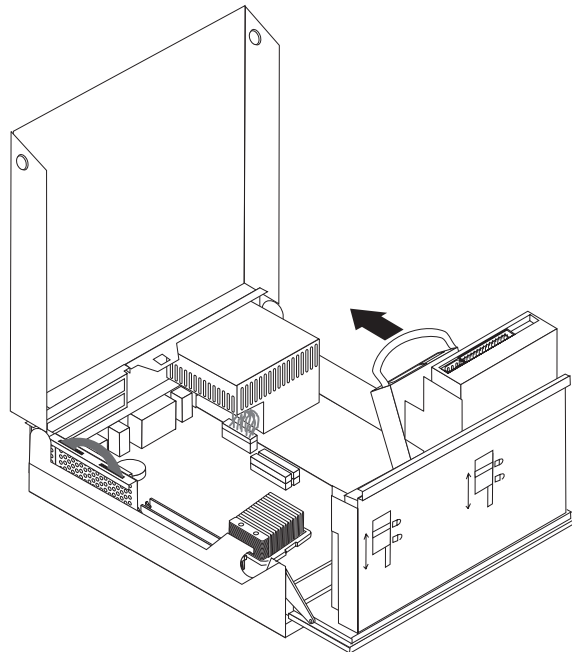
---

## Removing and replacing the hard disk drive

1. Open the cover. See “Opening the cover” on page 138.
2. Rotate the drive bay assembly upward to gain access to the hard disk drive cable connections.

**Notes:**

- a. If a CD drive is installed, it helps to disconnect the signal cable from the drive to access the hard disk drive cables.
  - b. Blue straps are provided to help when disconnecting cables.
3. Disconnect the signal and power cables from the hard disk drive.
  4. Rotate the hard disk drive and bracket to the rear by pulling on the blue handle provided.



5. Lift the hard disk drive and plastic bracket up to remove. The drive is removed from the bracket by flexing the bracket.
6. Notice the orientation of the hard disk drive in the plastic bracket and remove the drive from the bracket.
7. Install the new drive into the plastic bracket and place the bracket into the slot.
8. Rotate the drive and bracket towards the front of the computer and snap it into position.
9. Reconnect the power and signal cables to the drive.
10. To complete the installation, go to “Closing the cover and connecting cables” on page 159.

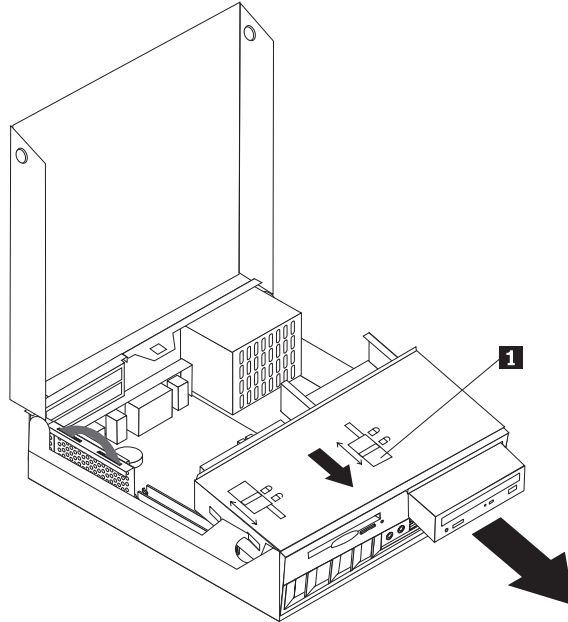
---

## Removing and replacing the optical drive

1. Open the cover. See “Opening the cover” on page 138.
2. Rotate the drive bay assembly upward to gain access to the cable connections.
3. Disconnect the signal and power cables from the drive.

**Note:** The blue straps are provided to help when disconnecting cables.

4. Slide the lock **1** to the unlocked position.

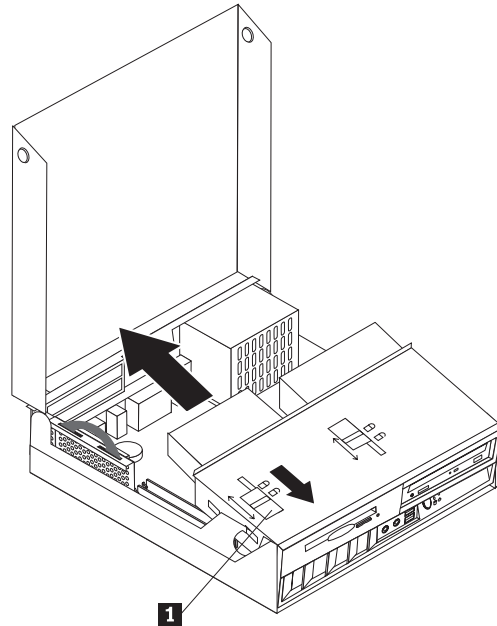


5. Open the door at the front of the drive and slide it out the front of the computer.
6. Install the new drive into the bay.
7. Slide the drive lock to the locked position and close the door at the front of the drive.
8. If you are replacing an existing drive, place the master/slave jumper on the drive in the same position as on the drive being replaced.
9. Reconnect the power and signal cables to the optical drive.
10. To complete the installation, go to “Closing the cover and connecting cables” on page 159.

---

## Removing and replacing the diskette drive

1. Open the cover. See “Opening the cover” on page 138.
2. Slide the diskette drive lock **1** to the unlocked position.



3. Rotate the drive bay assembly upward.
4. Slide the drive towards the rear of the computer and remove the drive.
5. Disconnect the flat cable from the failing drive.
6. Connect the flat cable to the new drive.
7. Install the new drive from the rear of the drive bay assembly and lock the drive into position.
8. To complete the installation, go to “Closing the cover and connecting cables” on page 159.

---

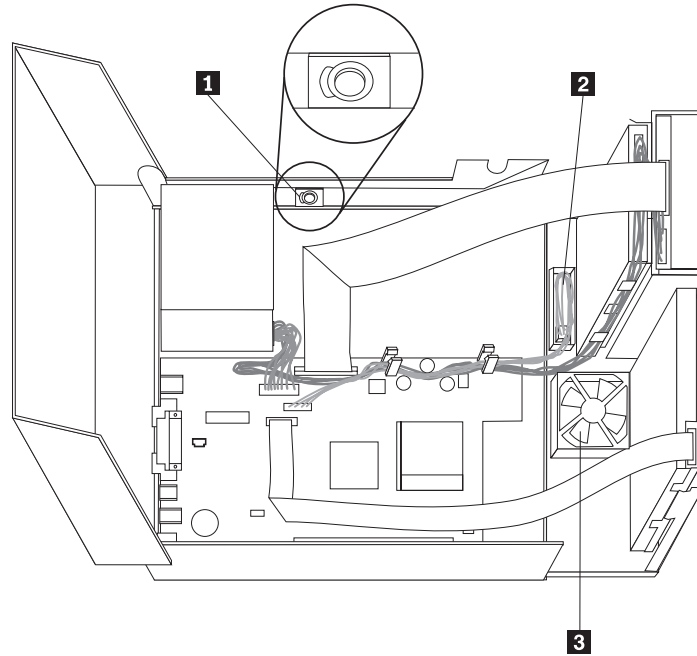
## Removing and replacing the fan assembly

1. Turn off the computer and disconnect the power cord from the electrical outlet and from the computer.
2. Open the cover. See “Opening the cover” on page 138.



3. Rotate the drive bay assembly upward to gain access to the fan assembly **3**.

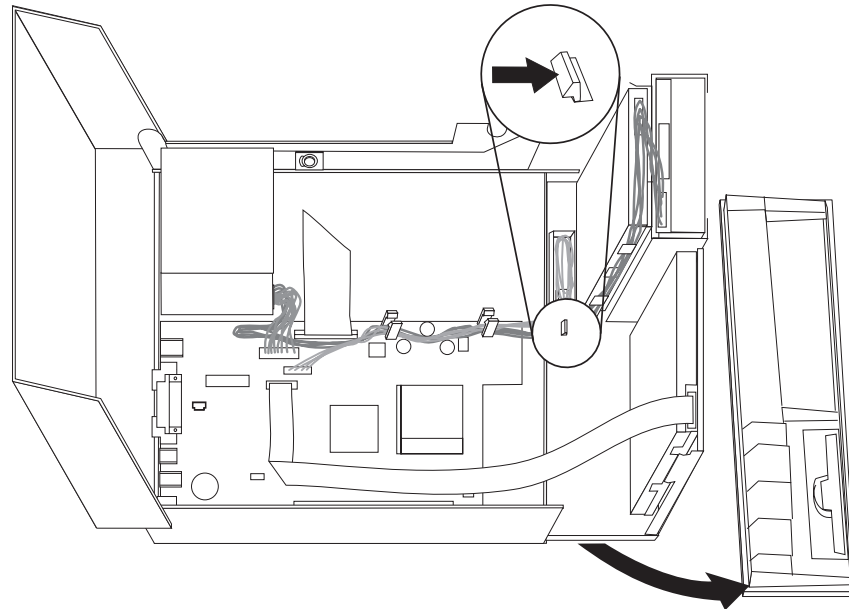
**Note:** Some models have two fans.



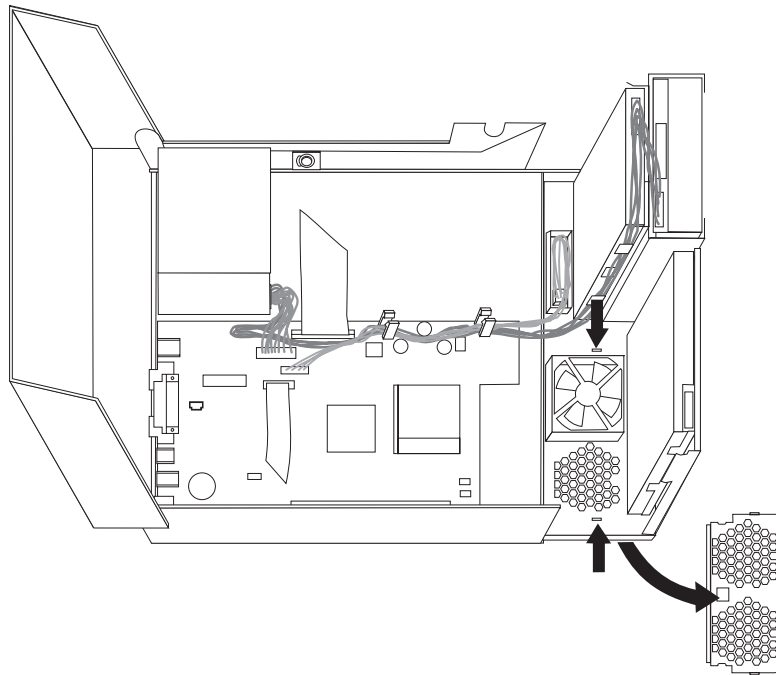
4. Disconnect fan assembly cable(s) from the system board. See “Identifying parts on the system board” on page 140.

**Note:** Make sure you note the location of the fan cable(s) when you disconnect it from the system board.

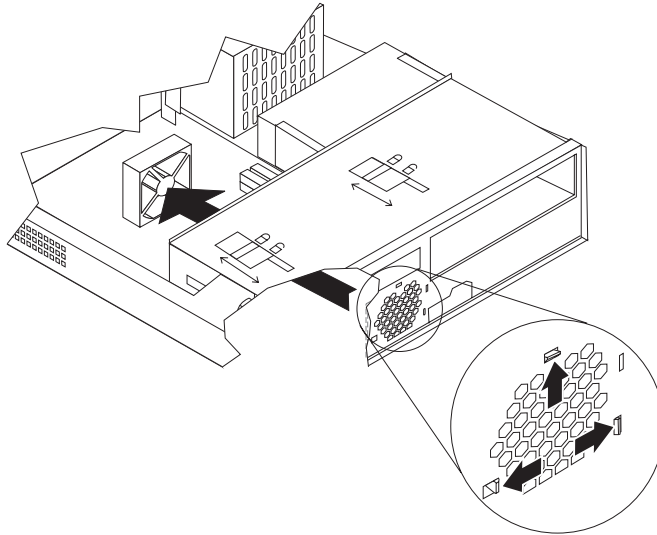
5. Remove the front bezel by releasing the tab as shown.



6. Remove the plastic insert behind the bezel by releasing the tabs as shown:



7. Remove the fan assembly by releasing the tabs as shown.

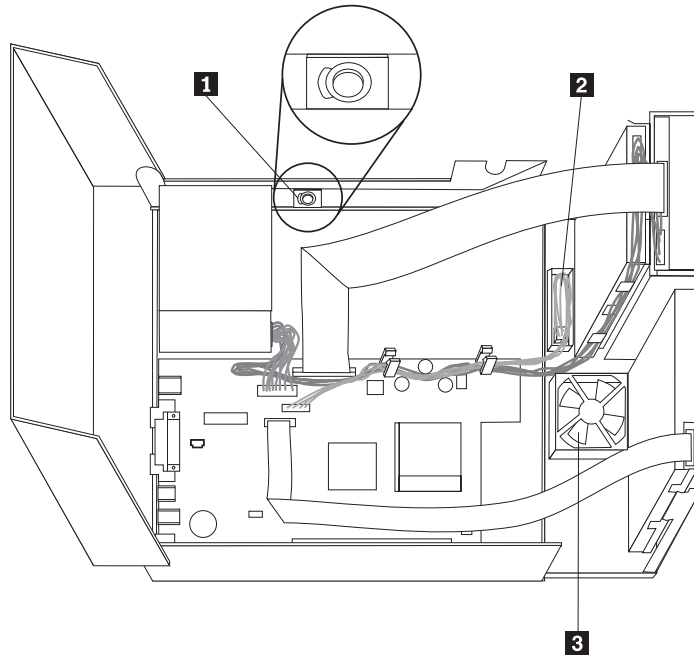


8. Install the new fan assembly and connect the fan cable to the system board.
9. Reinstall the plastic insert.
10. Reinstall the front bezel.
11. Lower the drive bay assembly.
12. Replace the cover, and connect the cables. See "Closing the cover and connecting cables" on page 159.

---

## Removing and replacing the internal speaker

1. Turn off the computer and disconnect the power cord from the electrical outlet and from the computer.
2. Open the cover. See “Opening the cover” on page 138.
3. Rotate the drive bay assembly upward to gain access to the speaker.
4. Locate the speaker **1**.



5. Disconnect the speaker cable from the system board. See “Identifying parts on the system board” on page 140.

**Note:** Make sure you note the location of the speaker cable when you disconnect it from the system board.

6. Remove the speaker by sliding it upward and out of the retaining bracket.

**Note:** You may need to slightly flex the side of the computer to aide in removing the speaker.

7. Install the new speaker and reconnect the speaker cable.
8. Lower the drive bay assembly.
9. Replace the cover, and connect the cables. See “Closing the cover and connecting cables” on page 159.

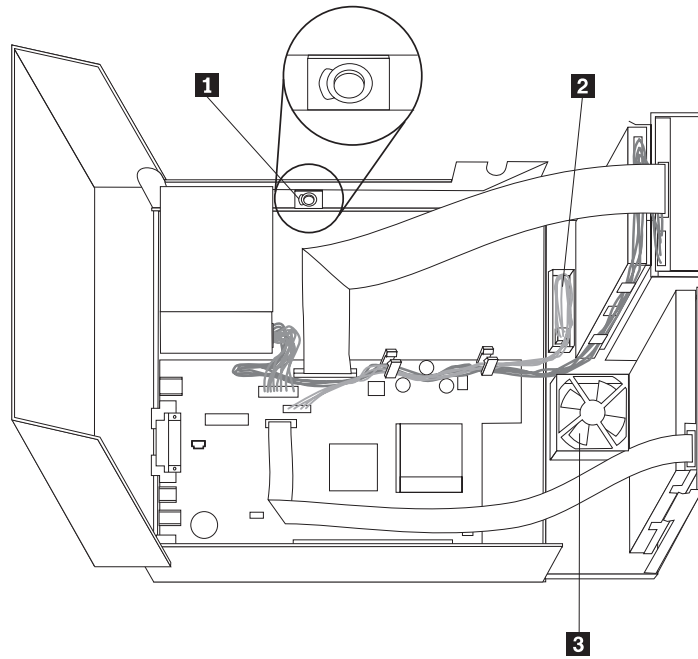
---

## Removing and replacing the power button and LED assembly

1. Turn off the computer and disconnect the power cord from the electrical outlet and from the computer.
2. Open the cover. See “Opening the cover” on page 138.
3. Rotate the drive bay assembly upward to gain access to the power button and LED assembly.
4. Disconnect the power button and LED assembly cable from the system board. See “Identifying parts on the system board” on page 140.

**Note:** Make sure you note the location of the power button and LED assembly cable when you disconnect it from the system board.

5. Lift the tab and slide the power button and LED assembly **2** out.



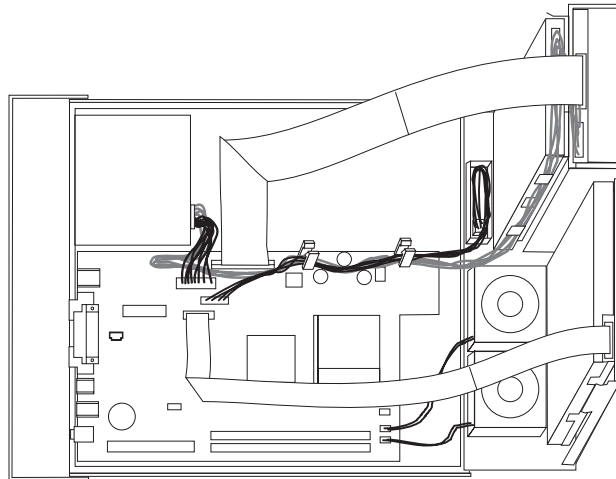
6. Install the new power button and LED assembly and reconnect the power button and LED assembly cable.
7. Lower the drive bay assembly.
8. Replace the cover, and connect the cables. See “Closing the cover and connecting cables” on page 159.

---

## Closing the cover and connecting cables

After replacing the hardware, you need to install any removed parts, replace the cover, and reconnect any cables, including telephone lines and power cords. Also, depending on the FRU that was replaced, you might need to confirm the updated information in the Setup Utility program.

1. Ensure that all components have been reassembled correctly and that no tools or loose screws are left inside your computer.
2. Make sure that the cables are routed correctly before lowering the drive bay assembly.



3. Lower the drive bay assembly and position the drive locks to the **locked position**. Otherwise, you cannot close the cover.
4. Close and latch the cover.
5. If a cover lock is installed, lock the cover.
6. If your computer is being placed in the vertical position, attach the floor stand.  
**Attention:** To prevent overheating and possible component damage, always attach the floor stand when placing the computer in the vertical position.
7. Reconnect the external cables and power cords to the computer. See “Locating connectors on the rear of the computer” on page 138.
8. Turn on the computer. To update the configuration, see Chapter 6, “Using the Setup Utility,” on page 55.
9. If you have replaced the system board, you must update (flash) the BIOS. See “Flash update procedures” on page 338.

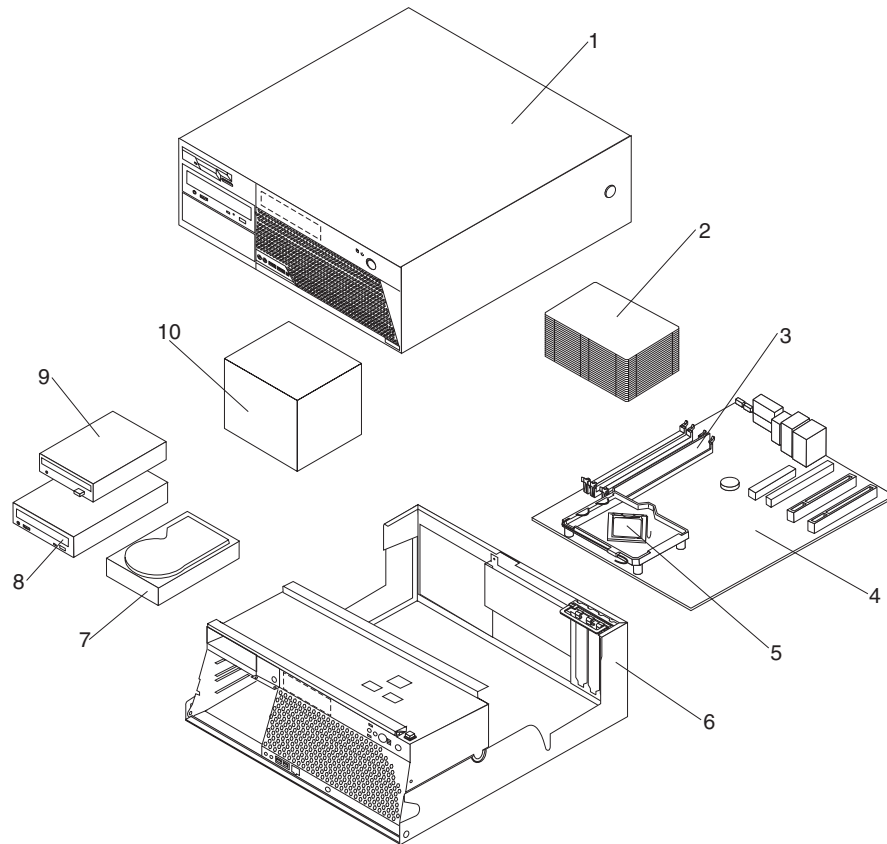


## Chapter 11. FRU lists

This section lists field replaceable units (FRUs) for all machine types.

**Note:** A CRU (Customer Replaceable Unit) is identified by a single asterisk (\*) or two asterisks (\*\*) in the CRU ID column. An N in the CRU ID Column means that the part is not a CRU. A single asterisk (\*) means that the part is a Tier 1 CRU; two asterisks (\*\*\*) mean that the part is a Tier 2 CRU.

### Machine Type 8095



Item #	8095 FRUs	FRU#	CRU
1	Top Cover Asm (all models)	89P6730	*
2	Heat sink (models CTO-U CTO-G 11M)	89P6729	**
3	256MB PC2 3200 Memory (DDR1) (models CTO-U CTO-G 11M)	73P2683	*
3	512MB PC2 3200 Memory (DDR1) (models CTO-U CTO-G)	73P2684	*
4	System board 10/1000 w/ POV -- DDR1 (models CTO-U CTO-G 11M)	41X2839	**
5	2.53 GHZ Celeron Prescott P4 (models CTO-U CTO-G)	29R7215	**
5	2.66 GHZ Celeron Prescott P4 (models CTO-U CTO-G)	29R7217	**
5	2.8 GHZ Celeron Prescott P4 (models CTO-U CTO-G)	29R7219	**
5	2.93 GHZ Celeron Prescott P4 (models CTO-U CTO-G)	29R7221	**

Item #	8095 FRUs	FRU#	CRU
5	3.06GHZ Celeron Prescott P4 (models CTO)	29R8208	**
5	2.53GHZ Celeron Prescott P4 326 (models CTO)	39J9397	**
5	2.66 GHZ Celeron Prescott P4 (models CTO)	39J9399	**
5	2.8 GHZ Celeron Prescott P4 (models CTO)	39J9401	**
5	2.93 GHZ Celeron Prescott P4 (models CTO)	39J9403	**
5	3.06 GHZ Celeron Prescott P4 (models CTO)	39J9405	**
5	3.2 GHZ Celeron Prescott P4 (models CTO)	41D0533	**
5	2.66GHZ Prescott P4 (models CTO)	29R7223	**
5	2.93GHZ Prescott P4 (models CTO-U CTO-G)	29R7225	**
5	2.66GHZ Celeron Prescott P4 346 (models CTO)	41D0676	**
5	2.93GHZ Celeron Prescott P4 351 (models CTO)	41D0677	**
5	3.06GHZ Celeron Prescott P4 (models CTO)	41D0678	**
5	2.8 GHZ Prescott P4 (models CTO-U CTO-G 11M)	19R0495	**
5	3.0GHZ Prescott P4 (models CTO-U CTO-G)	19R0496	**
5	3.2GHZ Prescott P4 (models CTO-U CTO-G)	19R0497	**
5	3.4GHZ Prescott P4 (models CTO-U CTO-G)	19R0498	**
5	3.4GHZ Prescott P4 (low-power) (models CTO-U CTO-G)	19R3011	**
5	3.6GHZ Prescott P4 (models CTO-U CTO-G)	19R0499	**
5	3.8GHZ Prescott P4 (models CTO-U CTO-G)	29R8211	**
5	2.8GHZ Prescott P4 521 (models CTO)	39J9407	**
5	3.0GHZ Prescott P4 531 (models CTO)	39J9409	**
5	3.2GHZ Prescott P4 541 (models CTO)	39J9411	**
5	3.4GHZ Prescott P4 551 (models CTO)	39J9413	**
5	3.6GHZ Prescott P4 561 (models CTO)	41D0535	**
5	3.8GHZ Prescott P4 571 (models CTO)	41D0537	**
5	3.8GHZ Prescott P4 670 (models CTO)	41D0539	**
5	3.0GHZ Prescott P4 (models CTO)	39J6589	**
5	3.2GHZ Prescott P4 (models CTO)	39J6591	**
5	3.4GHZ Prescott P4 (models CTO)	39J6593	**
5	3.6GHZ Prescott P4 (models CTO)	39J6595	**
6	Chassis and top cover kit (all models)	89P6732	**
7	HDD 40GB 7200 rpm Serial ATA (models CTO-U CTO-G 11M)	71P7312	*
7	HDD 40GB 7200 rpm Serial ATA (models CTO)	40Y8760	*
7	HDD 40GB 7200 rpm Serial ATA (models CTO)	40Y9033	*
7	HDD 80GB 7200 rpm Serial ATA (models CTO-U CTO-G)	71P7293	*
7	HDD 80GB 7200 rpm Serial ATA (models CTO)	40Y8761	*
7	HDD 80GB 7200 rpm Serial ATA (models CTO)	40Y9034	*
7	HDD 160GB 7200 rpm Serial ATA (models CTO-U CTO-G)	71P7297	*
7	HDD 160GB 7200 rpm Serial ATA (models CTO)	40Y8762	*
7	HDD 160GB 7200 rpm Serial ATA (models CTO)	40Y9035	*
8	CD-ROM Drive 48X - Black w/o jack & vol (models CTO-U CTO-G 11M)	71P7371	*



Item #	8095 FRUs	FRU#	CRU
8	CD-ROM Drive 48X - Black w/o jack & vol (models CTO-U CTO-G 11M)	71P7375	*
8	CD-ROM Drive 48X - Black w/o jack & vol (models CTO-U CTO-G 11M)	71P7385	*
8	CD-ROM Drive 48X - Black w/o jack & vol (models CTO 11M)	39M3511	*
8	CD-ROM Drive 48X - Black w/o jack & vol (models CTO 11M)	26K5445	*
8	CD-ROM Drive 48X - Black w/o jack & vol (models CTO 11M)	40Y8807	*
8	DVD-ROM 16X/48X - Black (models CTO-U CTO-G)	71P7357	*
8	DVD-ROM 16X/48X - Black (models CTO-U CTO-G)	26K5385	*
8	DVD-ROM 16X/48X - Black (models CTO-U CTO-G)	26K5435	*
8	DVD-ROM 16X/48X - Black (models CTO)	39M3513	*
8	DVD-ROM 16X/48X - Black (models CTO)	39M3515	*
8	DVD-ROM 16X/48X - Black (models CTO)	39M3517	*
8	DVD-ROM 16X/48X - Black (models CTO)	40Y8803	*
8	DVD-ROM 16X/48X - Black (models CTO)	40Y8811	*
8	DVD-ROM 16X/48X - Black (models CTO)	40Y8935	*
8	CD-RW Drive (48X/32X/48X) (models CTO-U CTO-G)	71P7347	*
8	CD-RW Drive (48X/32X/48X) (models CTO-U CTO-G)	71P7349	*
8	CD-RW Drive (48X/32X/48X) (models CTO-U CTO-G)	26K5401	*
8	CD-RW Drive (48X/32X/48X) (models CTO)	26K5449	*
8	CD-RW Drive (48X/32X/48X) (models CTO)	40Y8901	*
8	CD-RW Drive (48X/32X/48X) (models CTO)	40Y8937	*
8	Universal Combo Drive (48x/24x/48x/16x) (models CTO-U CTO-G)	26K5390	*
8	DVD-ROM/CD-RW Combo Drive (48x/32x/48x/16x) (models CTO-U CTO-G)	26K5429	*
8	DVD-ROM/CD-RW Combo Drive (48x/32x/48x/16x) (models CTO-U CTO-G)	26K5381	*
8	DVD-ROM/CD-RW Combo Drive (48x/32x/48x/16x) (models CTO-U CTO-G)	26K5379	*
8	DVD-ROM/CD-RW Combo Drive (48x/32x/48x/16x) (models CTO)	39M3539	*
8	DVD-ROM/CD-RW Combo Drive (48x/32x/48x/16x) (models CTO)	40Y8781	*
8	DVD-ROM/CD-RW Combo Drive (48x/32x/48x/16x) (models CTO)	40Y8903	*
8	DVD-ROM/CD-RW Combo Drive (48x/32x/48x/16x) (models CTO)	40Y8919	*
8	Multi-Burner Plus (Rambo IV) (models CTO-U CTO-G)	26K5383	*
8	Universal Rambo drive (Black) (models CTO-U CTO-G)	26K5377	*
8	Multi-Burner Plus (Rambo VI) (models CTO)	26K5441	*
8	Multi-Burner Plus (Rambo VI) (models CTO)	39M3519	*
8	Multi-Burner Plus (Rambo VI) (models CTO)	40Y8799	*
8	Multi-Burner Plus (Rambo VI) (models CTO)	40Y8909	*
9	3.5" 1.44MB 2 MODE Diskette drive (models CTO-U CTO-G 11M)	76H4091	*
9	3.5" 1.44MB 2 MODE Diskette drive (models CTO)	40Y9107	*
9	3.5" 1.44MB 2MODE Diskette drive (models CTO)	24P3889	*
9	3.5" 1.44MB 2MODE Diskette drive (models CTO)	40Y9105	*
9	3.5" 1.44MB 2MODE Diskette drive (models CTO)	39M0101	*
9	3.5" 1.44MB 2MODE Diskette drive (models CTO)	40Y9113	*
10	Power Supply 310 Watt (models CTO-U CTO-G 11M)	24R2574	**

The FRUs listed in the following table are not illustrated.

8095 FRUs	FRU#	CRU
HDD Mounting Brkt Asm (all models)	88P5916	*
Speaker Asm (all models)	00N5151	*
Speaker Cable Asm (RoHS Compliant) (all models)	39M0614	*
C2 Cable Asm (models CTO-U CTO-G)	09K9827	*
Cable, Second Serial Port (all models)	49P4530	*
Retention module assembly - (all models)	89P6725	*
Device Retaining Clips (all models)	13N2449	*
Fan and Duct Asm (all models)	39K5014	*
System board shield (all models)	89P6727	*
Cable, SATA (all models)	89P6728	*
Bezel Kit (all models)	89P6731	*
Cable and Front USB/Audio Card (all models)	89P6733	*
Cable, 2-drop IDE (all models)	89P6734	*
Cable, Diskette drive (all models)	89P6735	*
Shield, Blank Diskette drive (all models)	89P6736	*
Miscellaneous Hardware kit (all models)	89P6737	*
Universal Adapter Bracket 5.25 to 3.5-inch	32P4743	*
Cable, 1394 Front (all models)	89P6738	*
Cable, Power/LED (all models)	89P6739	*
Battery, 3.0V (all models)	33F8354	*
Mouse, Optical Wheelmouse, USB 400 DPI (models CTO-U CTO-G 11M)	89P5089	*
PCI-E DVI-D Connection Adapter (models CTO-U CTO-G)	19R2374	*
RJ11 Connector adapter (Spain, Ireland) (all 'G' models)	60H6043	*
RJ11 Connector adapter (Austria) (all 'G' models)	60H6045	*
RJ11 Connector adapter (Belgium) (all 'G' models)	60H6046	*
RJ11 Connector adapter (Denmark) (all 'G' models)	60H6047	*
RJ11 Connector adapter (Norway/Finland) (all 'G' models)	60H6048	*
RJ11 Connector adapter (France) (all 'G' models)	60H6049	*
RJ11 Connector adapter (Germany) (all 'G' models)	60H6050	*
RJ11 Connector adapter (UK,NZ, HK) (All 'G', 'M', 'B', 'H' models)	60H6051	*
RJ11 Connector adapter (Italy) (all 'G' models)	60H6052	*
RJ11 Connector adapter (Netherlands) (all 'G' models)	60H6053	*
RJ11 Connector adapter (Sweden) (all 'G' models)	60H6054	*
RJ11 Connector adapter (Switzerland) (all 'G' models)	60H6055	*

8095 Keyboards (Preferred Pro Fullsize)	FRU#	CRU
US English (models CTO-U CTO-G 11M)	89P8300	*
Arabic (models CTO-G)	89P8301	*

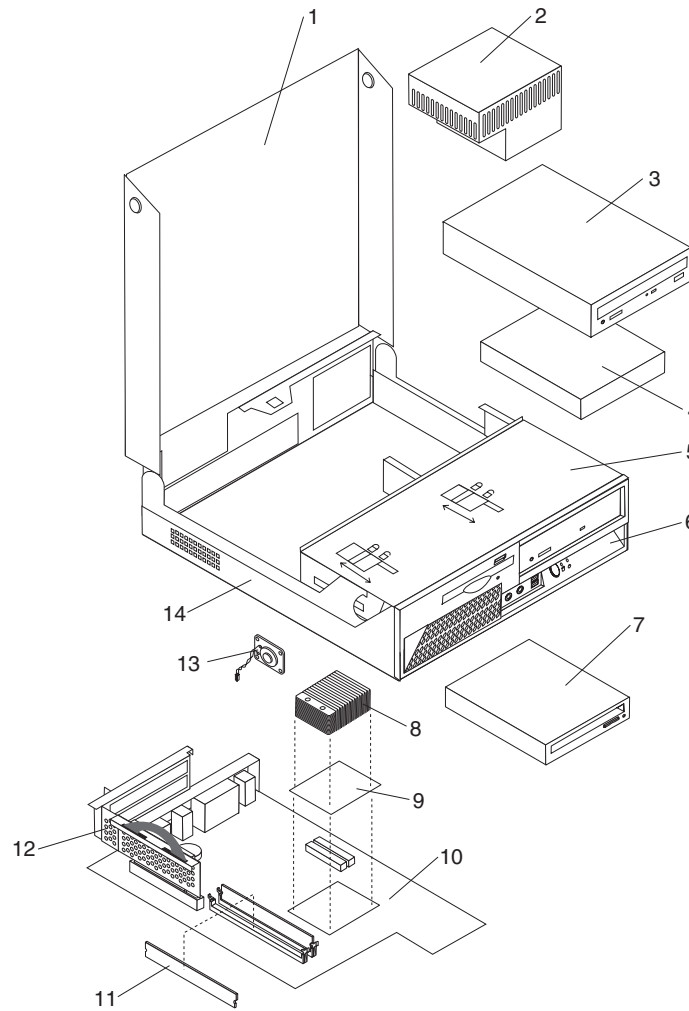
<b>8095 Keyboards (Preferred Pro Fullsize)</b>	<b>FRU#</b>	<b>CRU</b>
Belgian/French (models CTO-G)	89P8302	*
Belgian/UK (models CTO-G)	89P8303	*
Bulgarian (models CTO-G)	89P8305	*
Czech (models CTO-G)	89P8307	*
Danish (models CTO-G)	89P8308	*
Dutch (models CTO-G)	89P8309	*
French (models CTO-G)	89P8310	*
French Canadian 445 (models CTO-U)	89P8311	*
French Canadian 58 (models CTO-U)	89P8312	*
German (models CTO-G)	89P8313	*
Greek (models CTO-G)	89P8314	*
Hebrew (models CTO-G)	89P8315	*
Hungarian (models CTO-G)	89P8316	*
Iceland (models CTO-G)	89P8317	*
Italian 141 (models CTO-G)	89P8318	*
Italian 142 (models CTO-G)	89P8319	*
Norwegian (models CTO-G)	89P8323	*
Polish (models CTO-G)	89P8324	*
Portuguese (models CTO-G)	89P8325	*
Romanian (models CTO-G)	89P8326	*
Russian (models CTO-G 23G 25G 31G 34G)	89P8327	*
Russian/Cyrillic (models CTO-G 23G 25G 31G 34G)	89P8328	*
Serbian/Cyrillic (models CTO-G 23G 25G 31G 34G)	89P8329	*
Slovak (models CTO-G 23G 25G 31G 34G)	89P8330	*
Spanish (models CTO-G 23G 25G 31G 34G)	89P8331	*
Swedish/Finn (models CTO-G 23G 25G 31G 34G)	89P8332	*
Swiss F/G (models CTO-G 23G 25G 31G 34G)	89P8333	*
Thailand (models 41T 32T 42T 44T 52T 24T 31T)	89P8334	*
Turkish 440 (models CTO-G 23G 25G 31G 34G)	89P8335	*
Turkish 179 (models CTO-G 23G 25G 31G 34G)	89P8336	*
UK English (models CTO-G 23G 25G 31G 34G)	89P8337	*
US Euro (models CTO-G 23G 25G 31G 34G)	89P8338	*
Yugoslav/Latin (models CTO-G 23G 25G 31G 34G)	89P8339	*

<b>8095 Power Cords</b>	<b>FRU#</b>	<b>CRU</b>
Power cord (models CTO-U)	6952301	*
Power cord (EMEA, ANZ, ASEAN Eng, Korea) (models CTO-G)	13F9978	*
Power cord (EMEA, ANZ, ASEAN Eng, HK Eng) (models CTO-G)	14F0032	*
Power cord (EMEA) (models CTO-G)	13F9996	*
Power cord (EMEA, LA) (models CTO-G)	14F0068	*
Power cord (EMEA) (models CTO-G)	14F0086	*

<b>8095 Power Cords</b>	<b>FRU#</b>	<b>CRU</b>
Power cord (EMEA, ANZ, ASEAN Eng) (models CTO-G)	14F0014	*
Power cord (EMEA) (models CTO-G)	14F0050	*

<b>8095 Windows XP Pro Recovery CDs</b>	<b>FRU #</b>	<b>CRU</b>
US (models 11M)	19R3272	*

# Machine Type 8098



Item #	8098 FRUs	FRU#	CRU
1	Cover (all models)	26K1217	**
2	Power Supply (225 Watt) (models CTO-U CTO-G 11M)	24R2567	**
3	CD-ROM Drive 48X - Black w/o jack & vol (models CTO-U CTO-G 11M)	71P7371	*
3	CD-ROM Drive 48X - Black w/o jack & vol (models CTO-U CTO-G 11M)	71P7375	*
3	CD-ROM Drive 48X - Black w/o jack & vol (models CTO-U CTO-G 11M)	71P7385	*
3	CD-ROM Drive 48X - Black w/o jack & vol (models CTO-U CTO-G 11M)	71P7377	*
3	CD-ROM Drive 48X - Black w/o jack & vol (models CTO 11M)	39M3511	*
3	CD-ROM Drive 48X - Black w/o jack & vol (models CTO 11M)	26K5445	*
3	CD-ROM Drive 48X - Black w/o jack & vol (models CTO 11M)	40Y8807	*
3	DVD-ROM 16X/48X - Black (models CTO-U CTO-G)	33P3237	*
3	DVD-ROM 16X/48X - Black (models CTO-U CTO-G)	71P7357	*
3	DVD-ROM 16X/48X - Black (models CTO-U CTO-G)	26K5385	*
3	DVD-ROM 16X/48X - Black (models CTO-U CTO-G)	26K5435	*
3	DVD-ROM 16X/48X - Black (models CTO)	39M3513	*

Item #	8098 FRUs	FRU#	CRU
3	DVD-ROM 16X/48X - Black (models CTO)	39M3515	*
3	DVD-ROM 16X/48X - Black (models CTO)	39M3517	*
3	DVD-ROM 16X/48X - Black (models CTO)	40Y8935	*
3	DVD-ROM 16X/48X - Black (models CTO)	40Y8933	*
3	CD-RW Drive (48X/32X/48X) (models CTO-U CTO-G)	71P7347	*
3	CD-RW Drive (48X/32X/48X) (models CTO-U CTO-G)	71P7349	*
3	CD-RW Drive (48X/32X/48X) (models CTO-U CTO-G)	26K5401	*
3	CD-RW Drive (48X/32X/48X) (models CTO)	40Y8901	*
3	CD-RW Drive (48X/32X/48X) (models CTO)	40Y8937	*
3	Universal Combo Drive (48x/24x/48x/16x) (models CTO-U CTO-G)	26K5390	*
3	DVD-ROM/CD-RW Combo Drive (48x/32x/48x/16x) (models CTO-U CTO-G)	26K5379	*
3	DVD-ROM/CD-RW Combo Drive (48x/32x/48x/16x) (models CTO-U CTO-G)	26K5381	*
3	DVD-ROM/CD-RW Combo Drive (48x/32x/48x/16x) (models CTO-U CTO-G)	26K5429	*
3	DVD-ROM/CD-RW Combo Drive (48x/32x/48x/16x) (models CTO)	39M3539	*
3	DVD-ROM/CD-RW Combo Drive (48x/32x/48x/16x) (models CTO)	40Y8781	*
3	DVD-ROM/CD-RW Combo Drive (48x/32x/48x/16x) (models CTO)	40Y8903	*
3	DVD-ROM/CD-RW Combo Drive (48x/32x/48x/16x) (models CTO)	40Y8919	*
3	Multi-Burner Plus (Rambo IV) (models CTO-U CTO-G)	26K5383	*
3	Universal Rambo drive (Black) (models CTO-U CTO-G)	26K5377	*
3	Multi-Burner Plus (Rambo VI) (models CTO)	26K5441	*
3	Multi-Burner Plus (Rambo VI) (models CTO)	39M3519	*
3	Multi-Burner Plus (Rambo VI) (models CTO)	40Y8799	*
3	Multi-Burner Plus (Rambo VI) (models CTO)	40Y8909	*
4	HDD 40GB 7200 rpm Serial ATA (models CTO-U CTO-G 11M)	71P7312	*
4	HDD 40GB 7200 rpm Serial ATA (models CTO)	40Y8760	*
4	HDD 40GB 7200 rpm Serial ATA (models CTO)	40Y9033	*
4	HDD 80GB 7200 rpm Serial ATA (models CTO-U CTO-G)	71P7293	*
4	HDD 80GB 7200 rpm Serial ATA (models CTO)	40Y8761	*
4	HDD 80GB 7200 rpm Serial ATA (models CTO)	40Y9034	*
4	HDD 160GB 7200 rpm Serial ATA (models CTO-U CTO-G)	71P7297	*
4	HDD 160GB 7200 rpm Serial ATA (models CTO)	40Y8762	*
4	HDD 160GB 7200 rpm Serial ATA (models CTO)	40Y9035	*
5	Rotating bay assembly (all models)	03R0285	*
6	Bezel Plastic Kit (all models)	26K1214	*
7	Diskette drive, Half Inch (slim) 1.44MB 3 Mode (models CTO-U CTO-G 11M)	36L8645	*
7	Diskette drive, Half Inch (slim) 1.44MB 3 Mode (models CTO-U CTO-G 11M)	39M0107	*
7	Diskette drive, Half Inch (slim) 1.44MB 3 Mode (models CTO-U CTO-G 11M)	40Y9111	*
7	Diskette drive, Half Inch (slim) 1.44MB 3 Mode (models CTO-U CTO-G 11M)	39M0105	*
7	Diskette drive, Half Inch (slim) 1.44MB 3 Mode (models CTO-U CTO-G 11M)	40Y9109	*
8	Heat Sink, Side Car, P4 (all models)	26K1207	**
9	2.53 GHZ Celeron Prescott P4 (models CTO-U CTO-G)	29R7203	**

Item #	8098 FRUs	FRU#	CRU
9	2.66 GHZ Celeron Prescott P4 (models CTO-U CTO-G)	29R7205	**
9	2.8 GHZ Celeron Prescott P4 (models CTO-U CTO-G)	29R7207	**
9	2.93 GHZ Celeron Prescott P4 (models CTO-U CTO-G)	29R7209	**
9	3.06 GHZ Celeron Prescott P4 (models CTO)	29R8205	**
9	2.53GHZ Celeron Prescott P4 326 (models CTO)	41D0515	**
9	2.66 GHZ Celeron Prescott P4 331 (models CTO)	41D0517	**
9	2.8 GHZ Celeron Prescott P4 336 (models CTO)	41D0519	**
9	2.93 GHZ Celeron Prescott P4 (341 models CTO)	41D0521	**
9	3.06 GHZ Celeron Prescott P4 346 (models CTO)	41D0523	**
9	3.2 GHZ Celeron Prescott P4 351 (models CTO)	41D0525	**
9	2.8 GHZ Prescott P4 (models 11U CTO-U CTO-G 11M)	19R0489	**
9	2.66 GHZ Prescott P4 (models CTO)	29R7211	**
9	2.93 GHZ Prescott P4 (models CTO-U CTO-G)	29R7213	**
9	2.66 GHZ Prescott P4 (models CTO)	41D0670	**
9	2.93 GHZ Prescott P4 (models CTO)	41D0671	**
9	3.06 GHZ Prescott P4 (models CTO)	41D0672	**
9	2.8 GHZ Prescott P4 (models CTO-U CTO-G)	19R0489	**
9	3.0 GHZ Prescott P4 (models CTO-U CTO-G)	19R0490	**
9	3.2 GHZ Prescott P4 (models CTO-U CTO-G)	19R0491	**
9	3.4 GHZ Prescott P4 (models CTO-U CTO-G)	19R0492	**
9	2.8GHZ Prescott P4 521 (models CTO)	41D0708	**
9	3.0GHZ Prescott P4 531 (models CTO)	41D0527	**
9	3.2GHZ Prescott P4 541 (models CTO)	41D0529	**
9	3.4GHZ Prescott P4 551 (models CTO)	41D0531	**
9	3.0 GHZ Prescott P4 (models CTO)	39J6583	**
9	3.2 GHZ Prescott P4 (models CTO)	39J6585	**
9	3.4 GHZ Prescott P4 (models CTO)	39J6587	**
10	System Board (Intel 915G) 10/1000 w/ POV (models CTO-U CTO-G 11M)	41X2837	**
10	System Board (Intel 915GV) 10/1000 w/ POV (models CTO-U CTO-G)	41X2838	**
11	256MB PC2 3200 Memory (DDR1) (models CTO-U CTO-G)	73P2683	*
11	512MB PC2 3200 Memory (DDR1) (models CTO-U CTO-G 11M)	73P2684	*
12	Riser card assembly (all models)	41A7730	*
13	Speaker assembly (All EXCEPT CAU CBU)	03R0294	*
14	Chassis (all models)	26K1218	**

The FRUs listed in the following table are not illustrated.

8098 FRUs	FRU#	CRU
Tool-less hardfile tray (all models)	03R0302	*
Cable, PWR/LED (all models)	03R0283	*
Lock assembly (Random keyed) (models CTO-U CTO-G 11M)	03R0287	*

8098 FRUs	FRU#	CRU
Internal plastic kit (all models)	03R0289	*
Cable, optical 1-drop ATA 100 (all models)	03R0291	*
Cable, 2-drop ATA 100 (all models)	03R0292	*
Cable, SATA (all models)	03R0293	*
Cable, Diskette drive (all models)	03R0297	*
C2 Cable (Squall) (models CTO-U CTO-G 11M)	09K9827	*
Shield, 5.25 EMC (all models)	19K5548	*
Floor stand and vertical deflector (all models)	74P0404	*
Battery (all models)	33F8354	*
Universal Adapter Bracket 5.25 to 3.5-inch	32P4743	*
Mouse, optical wheel (models CTO-U CTO-G 11M)	89P5089	*
Korean label (models 31K 41K 38K 45K 53K)	13R9162	*
Cable, Zip Drive 2 drop (all models)	88P7258	*
Fan assembly (all models)	26K1210	*
Planar tray, (all models)	26K1213	**
Kensington Lock Spacer (all models)	41A7702	**
Planar I/O Shield Kit (all models)	41A7703	**
Heat Sink Retention Module Asm (all models)	26K1206	**
PCI-E DVI-D Connection Adapter (models CTO-U CTO-G)	19R2374	**
RJ11 connector adapter (Spain, Ireland) (All 'G' models)	60H6043	*
RJ11 connector adapter (Austria) (All 'G' models)	60H6045	*
RJ11 connector adapter (Belgium) (All 'G' models)	60H6046	*
RJ11 connector adapter (Denmark) (All 'G' models)	60H6047	*
RJ11 connector adapter (Norway, Finland) (All 'G' models)	60H6048	*
RJ11 connector adapter (France) (All 'G' models)	60H6049	*
RJ11 connector adapter (Germany) (All 'G' models)	60H6050	*
RJ11 connector adapter (UK, NZ, HK) (All 'G', 'M', 'B', 'H' models)	60H6051	*
RJ11 connector adapter (Italy) (All 'G' models)	60H6052	*
RJ11 connector adapter (Netherlands) (All 'G' models)	60H6053	*
RJ11 connector adapter (Sweden) (All 'G' models)	60H6054	*
RJ11 connector adapter (Switzerland) (All 'G' models)	60H6055	*

8098 Keyboards (Preferred Pro Fullsize)	FRU#	CRU
US English (models CTO-U CTO-G 11M)	89P8300	*
Arabic (models CTO-G)	89P8301	*
Belgian/French (models CTO-G)	89P8302	*
Belgian/UK (models CTO-G)	89P8303	*
Bulgarian (models CTO-G)	89P8305	*
Czech (models CTO-G)	89P8307	*
Danish (models CTO-G)	89P8308	*
Dutch (models CTO-G)	89P8309	*

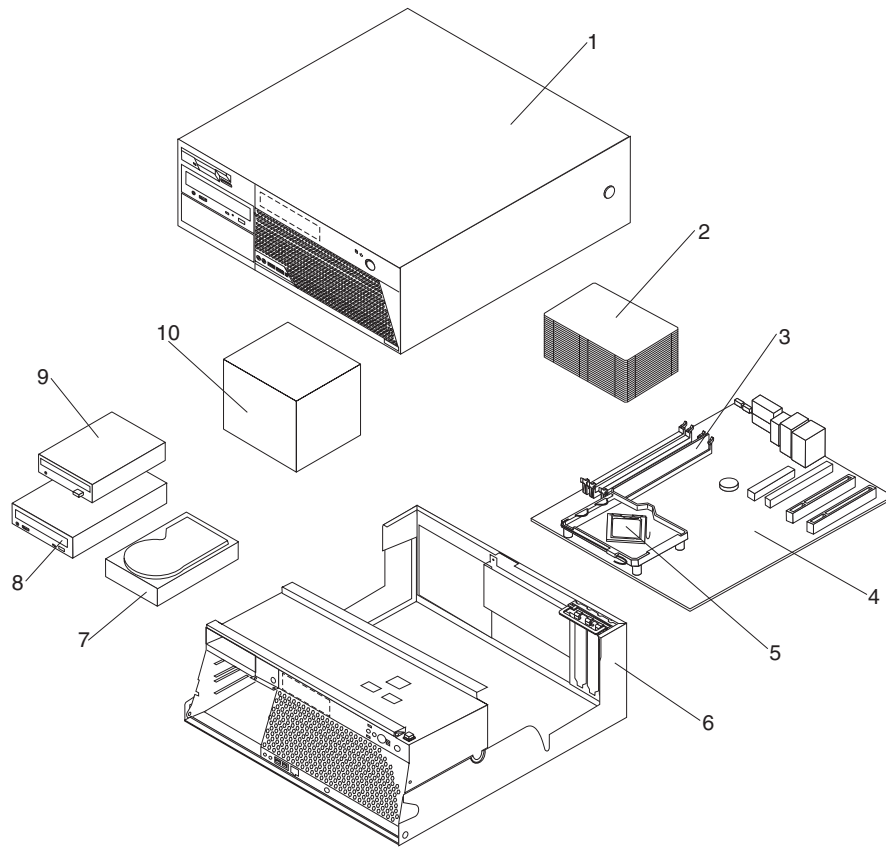


<b>8098 Keyboards (Preferred Pro Fullsize)</b>	<b>FRU#</b>	<b>CRU</b>
French (models CTO-G)	89P8310	*
French Canadian 445 (models CTO-U)	89P8311	*
French Canadian 58 (models CTO-U)	89P8312	*
German (models CTO-G)	89P8313	*
Greek (models CTO-G)	89P8314	*
Hebrew (models CTO-G)	89P8315	*
Hungarian (models CTO-G)	89P8316	*
Iceland (models CTO-G)	89P8317	*
Italian 141 (models CTO-G)	89P8318	*
Italian 142 (models CTO-G)	89P8319	*
Norwegian (models CTO-G)	89P8323	*
Polish (models CTO-G)	89P8324	*
Portuguese (models CTO-G)	89P8325	*
Romanian (models CTO-G)	89P8326	*
Russian (models CTO-G 23G 25G 31G 34G)	89P8327	*
Russian/Cyrillic (models CTO-G 23G 25G 31G 34G)	89P8328	*
Serbian/Cyrillic (models CTO-G 23G 25G 31G 34G)	89P8329	*
Slovak (models CTO-G 23G 25G 31G 34G)	89P8330	*
Spanish (models CTO-G 23G 25G 31G 34G)	89P8331	*
Swedish/Finn (models CTO-G 23G 25G 31G 34G)	89P8332	*
Swiss F/G (models CTO-G 23G 25G 31G 34G)	89P8333	*
Thailand (models 41T 32T 42T 44T 52T 24T 31T)	89P8334	*
Turkish 440 (models CTO-G 23G 25G 31G 34G)	89P8335	*
Turkish 179 (models CTO-G 23G 25G 31G 34G)	89P8336	*
UK English (models CTO-G 23G 25G 31G 34G)	89P8337	*
US Euro (models CTO-G 23G 25G 31G 34G)	89P8338	*
Yugoslav/Latin (models CTO-G 23G 25G 31G 34G)	89P8339	*

<b>8098 Power Cords</b>	<b>FRU#</b>	<b>CRU</b>
Power cord (models CTO-U)	6952301	*
Power cord (models 11M)	13F9939	*
Power cord (EMEA, ANZ, ASEAN Eng, Korea) (models CTO-G)	13F9978	*
Power cord (EMEA, ANZ, ASEAN Eng, HK Eng) (models CTO-G)	14F0032	*
Power cord (EMEA) (models CTO-G)	13F9996	*
Power cord (EMEA, LA) (models CTO-G)	14F0068	*
Power cord (EMEA) (models CTO-G)	14F0086	*
Power cord (EMEA, ANZ, ASEAN Eng) (models CTO-G)	14F0014	*
Power cord (EMEA) (models CTO-G)	14F0050	*

<b>8098 Windows XP Pro Recovery CDs</b>	<b>FRU #</b>	<b>CRU</b>
US (models 11M)	39J6597	*

# Machine Type 8141



Item #	8141 FRUs	FRU#	CRU
1	Top Cover Asm (all models)	89P6730	*
2	Heat sink (all models)	89P6729	**
3	256MB PC2 3200 Memory (DDR1) (models 21S 21P 21Y 31S 31P 31Y 32A 32T CTO 11U 22B 22H 23U 23F 23G 24A 24Q 24T 25G 31U 31F 31G 31L 31D 31M 31A 31Q 31T 31C 31B 31H 31V 31K 31J 32U 32Q 33C 33B 33H 33V 34G 35S 35P 35Y 31E A1U A1S A1P A1L A1Y A2U A2S A2P A2L A2Y 12U 12A 12Q 12T 12C 12B 12H 12V 13S 13P 13L 13Y 14U 14F 15U 26U 27S 27P 27L 27Y 28U 29U 36U 37U 37F 37S 37P 37L 37D 37Y 37G 37M 37A 37Q 37T 37C 37B 37H 37V 37K 37E 37J 38S 38P 38L 38Y 39U 3AU)	73P2683	*
3	512MB PC2 3200 Memory (DDR1) (models CTO)	73P2684	*

Item #	8141 FRUs	FRU#	CRU
3	256MB PC2 3200 Memory (400mhz DDR2) (models A3K A4U A4S A4Y A5S 16S 16Y 16B 16H 17K 3BU 3BF 4FC 4GC 4JU 4JF 4KU 4LU 4MU 4MS 4MY 4NS 4NY B2G B6V B7B B7H B8K B9U B9F B9S B9Y D3G D4G D6C D7B D7H D7V D8K D9U D9F D9S D9Y B1G BAC A6S A6P A6Y 2BS 2BP 2BY 3DS 3DP 3DY 4RG 4SG BBS BBP BBY BCS BCP BCY DAS DAP DAY DBS DBP DBY 2CU 3LF A7U ABS ABP ABY A8U ACS ACP ACY AAU ADS ADP ADY 1BU 1CU 1DU 19U 1AS 1AP 1AY 2DS 2DP 2DY 2DB 2EU 2EF 2EG 2FU 2FF 2FS 2FP 2FL 2FD 2FY 2FG 2FM 2FA 2FQ 2FT 2FC 2FB 2FH 2FV 2FK 2FJ 2GS 2GP 2GA 2GQ 2GT 2HU 2JU 2KU 2LG 3ES 3EP 3EY 3EC 3EB 3EH 3EV 3FU 3FF 3FS 3FP 3FL 3FD 3FY 3FG 3FM 3FA 3FQ 3FT 3FC 3FB 3FH 3FV 3FK 3FJ 3GU 3HU 3JS 3JP 3JA 3JQ 3JT 3KU 3LU 3NU 3NF 3NS 3NP 3NL 3ND 3NY 3NG 3NM 3NA 3NQ 3NT 3NC 3NB 3NH 3NV 3NK 3NJ 4TS 4TP 4TY 4TC 4UG 4VU 4WU 4XU 4XF 4YS 4YP 4YY 54U 54G 55S 55P 55Y 55C BDU BDF BDS BDP BDL BDD BDY BDG BDM BDA BDQ BDT BDC BDB BDH BDV BDK BDJ BEU BEF BES BEP BFA DCU DDU DDF DDS DDP)	73P3220	*
3	512MB PC2 3200 Memory (400mhz DDR2) (models 4HJ B3J B4J B5A B5Q B5T D1J D2J D5A D5Q D5T CTO 18U 18F 2AU 2AF A9U A9F A9S A9P A9Y 2MU 2MF 3PU 3PF 56A 56Q 56T BFQ BFT DEU DEA DEQ DET)	73P3222	*
3	1024MB PC2 3200 Memory (400mhz DDR2) (models CTO)	73P3224	*
4	System board 10/1000 w/ POV (models 4YY 54U 54G 55S 55P 55Y 55C 56A 56Q 56T BDU BDF BDS BDP BDL BDD BDY BDG BDM BDA BDQ BDT BDC BDB BDH BDV BDK BDJ BEU BEF BES BEP BFA BFQ BFT DCU DDU DDF DDS DDP DEU DEA DEQ DET CGU CHU CJU CKU CLU A7U ABS ABP ABY A8U ACS ACP ACY A9U A9F A9S A9P A9Y AAU ADS ADP ADY 1BU 1CU 1DU 19U 1AS 1AP 1AY 2DS 2DP 2DY 2DB 2EU 2EF 2EG 2FU 2FF 2FS 2FP 2FL 2FD 2FY 2FG 2FM 2FA 2FQ 2FT 2FC 2FB 2FH 2FV 2FK 2FJ 2GS 2GP 2GA 2GQ 2GT 2HU 2JU 2KU 2LG 2MU 2MF 3ES 3EP 3EY 3EC 3EB 3EH 3EV 3FU 3FF 3FS 3FP 3FL 3FD 3FY 3FG 3FM 3FA 3FQ 3FT 3FC 3FB 3FH 3FV 3FK 3FJ 3GU 3HU 3JS 3JP 3JA 3JQ 3JT 3KU 3LF 3LU 3NU 3NF 3NS 3NP 3NL 3ND 3NY 3NG 3NM 3NA 3NQ 3NT 3NC 3NB 3NH 3NV 3NK 3NJ 3PU 3PF 4TS 4TP 4TY 4TC 4UG 4VU 4WU 4XU 4XF 4YS 4YP CCU A3K A4U A4S A4Y A5S 16S 16Y 16B 16H 17K 3BU 3BF 4FC 4GC 4HJ 4JU 4JF 4KU 4LU 4MU 4MS 4MY 4NS 4NY B2G B3J B4J B5A B5Q B5T B6V B7B B7H B8K B9U B9F B9S B9Y D1J D2J D3G D4G D5A D5Q D5T D6C D7B D7H D7V D8K D9U D9F D9S D9Y CEU CFU B1G BAC A6S A6P A6Y 18U 18F 2AU 2AF 2BS 2BP 2BY 3CU 3CF 3DS 3DP 3DY 4RG 4SG BBS BBP BBY BCS BCP BCY DAS DAP DAY DBS DBP DBY 2CU 21S 21P 21Y 31S 31P 31Y 32A 32T CTO 11U 22B 22H 23U 23F 23G 24A 24Q 24T 25G 31U 31F 31G 31L 31D 31M 31A 31Q 31T 31C 31B 31H 31V 31K 31J 32U 32Q 33C 33B 33H 33V 34G 35S 35P 35Y CAU CBU 31E A1U A1S A1P A1L A1Y A2U A2S A2P A2L A2Y 12U 12A 12Q 12T 12C 12B 12H 12V 13S 13P 13L 13Y 14U 14F 15U 26U 27S 27P 27L 27Y 28U 29U 36U 37U 37F 37S 37P 37L 37D 37Y 37G 37M 37A 37Q 37T 37C 37B 37H 37V 37K 37E 37J 38S 38P 38L 38Y 39U 3AU)	41X2839	**
5	2.53 GHZ Celeron Prescott P4 (models CTO)	29R7215	**
5	2.66 GHZ Celeron Prescott P4 (models CTO A1U A1S A1P A1L A1Y)	29R7217	**
5	2.8 GHZ Celeron Prescott P4 (models CTO A2U A2S A2P A2L A2Y)	29R7219	**
5	2.93 GHZ Celeron Prescott P4 (models CTO)	29R7221	**
5	2.53GHZ Celeron Prescott P4 326 (models CTO)	39J9397	**
5	2.66 GHZ Celeron Prescott P4 331 (models CTO A7U ABS ABP ABY)	39J9399	**
5	2.8 GHZ Celeron Prescott P4 336 (models CTO A8U ACS ACP ACY)	39J9401	**
5	2.93 GHZ Celeron Prescott P4 341 (models CTO A9U A9F A9S A9P A9Y)	39J9403	**
5	3.06 GHZ Celeron Prescott P4 346 (models CTO AAU ADS ADP ADY CGU)	39J9405	**
5	3.2 GHZ Celeron Prescott P4 351 (models CTO)	41D0533	**

Item #	8141 FRUs	FRU#	CRU
5	3.06GHZ Celeron Prescott P4 (models CTO A3K A4U A4S A4Y A5S CEU A6S A6P A6Y)	29R8208	**
5	2.66 GHZ Prescott P4 (models CTO 16S 16Y 16B 16H 17K)	29R7223	**
5	2.8 GHZ Prescott P4 (models CTO)	29R8209	**
5	2.8GHZ Prescott P4 (models 11U CTO)	19R0495	**
5	2.93GHZ Prescott P4 (models CTO 12U 12A 12Q 12T 12C 12B 12H 12V 13S 13P 13L 13Y 14U 14F 15U CCU 18U 18F)	29R7225	**
5	2.66GHZ Celeron Prescott P4 346 (models CTO)	41D0676	**
5	2.93GHZ Celeron Prescott P4 351 (models CTO 1BU 1CU 1DU CLU)	41D0677	**
5	3.06GHZ Celeron Prescott P4 (models CTO)	41D0678	**
5	3.0GHZ Prescott P4 (models 21S 21P 21Y CTO 22B 22H 23U 23F 23G 24A 24Q 24T 25G CAU 26U 27S 27P 27L 27Y 28U 29U 2AU 2AF 2BS 2BP 2BY 2CU)	19R0496	**
5	3.2GHZ Prescott P4 (models 31S 31P 31Y 32A 32T CTO 31U 31F 31G 31L 31D 31M 31A 31Q 31T 31C 31B 31H 31V 31K 31J 32U 32Q 33C 33B 33H 33V 34G 35S 35P 35Y CBU 31E 36U 37U 37F 37S 37P 37L 37D 37Y 37G 37M 37A 37Q 37T 37C 37B 37H 37V 37K 37E 37J 38S 38P 38L 38Y 39U 3AU 3BU 3BF 3CU 3CF 3DS 3DP 3DY)	19R0497	**
5	3.4GHZ Prescott P4 (models CTO 4FC 4GC 4HJ 4JU 4JF 4KU 4LU 4MU 4MS 4MY 4NS 4NY CFU 4RG 4SG)	19R0498	**
5	3.4GHZ Prescott P4 (low-power) (models CTO)	19R3011	**
5	3.6GHZ Prescott P4 (models CTO)	19R0499	**
5	3.8GHZ Prescott P4 (models CTO)	29R8211	**
5	2.8GHZ Prescott P4 531 (models CTO 19U 1AS 1AP 1AY)	39J9407	**
5	3.0GHZ Prescott P4 531 (models CTO 2DS 2DP 2DY 2DB 2EU 2EF 2EG 2FU 2FF 2FS 2FP 2FL 2FD 2FY 2FG 2FM 2FA 2FQ 2FT 2FC 2FB 2FH 2FV 2FK 2FJ 2GS 2GP 2GA 2GQ 2GT 2HU 2JU 2KU 2LG 2MU 2MF CHU)	39J9409	**
5	3.2GHZ Prescott P4 541 (models CTO 3ES 3EP 3EY 3EC 3EB 3EH 3EV 3FU 3FF 3FS 3FP 3FL 3FD 3FY 3FG 3FM 3FA 3FQ 3FT 3FC 3FB 3FH 3FV 3FK 3FJ 3GU 3HU 3JS 3JP 3JA 3JQ 3JT 3KU 3LU 3NU 3NF 3NS 3NP 3NL 3ND 3NY 3NG 3NM 3NA 3NQ 3NT 3NC 3NB 3NH 3NV 3NK 3NJ 3PU 3PF CJU)	39J9411	**
5	3.4GHZ Prescott P4 551 (models CTO 4TS 4TP 4TY 4TC 4UG 4VU 4WU 4XU 4XF 4YS 4YP 4YY 54U 54G 55S 55P 55Y 55C 56A 56Q 56T CKU)	39J9413	**
5	3.6GHZ Prescott P4 561 (models CTO)	41D0535	**
5	3.8GHZ Prescott P4 571 (models CTO)	41D0537	**
5	3.8GHZ Prescott P4 670 (models CTO)	41D0539	**
5	3.0GHZ Prescott P4 (models CTO B2G B3J B4J B5A B5Q B5T B6V B7B B7H B8K B9U B9F B9S B9Y B1G BAC BBS BBP BBY BCS BCP BCY BDU BDF BDS BDP BDL BDD BDY BDG BDM BDA BDQ BDT BDC BDB BDH BDV BDK BDJ BEU BEF BES BEP BFA BFQ BFT)	39J6589	**
5	3.2GHZ Prescott P4 (models CTO D1J D2J D3G D4G D5A D5Q D5T D6C D7B D7H D7V D8K D9U D9F D9S D9Y DAS DAP DAY DBS DBP DBY DCU DDU DDF DDS DDP DEU DEA DEQ DET 3LF)	39J6591	**
5	3.4GHZ Prescott P4 (models CTO)	39J6593	**
5	3.6GHZ Prescott P4 (models CTO)	39J6595	**
5	3.8GHZ Prescott P4 (models CTO)	41D0539	**
6	Chassis and top cover kit (all models)	89P6732	**

Item #	8141 FRUs	FRU#	CRU
7	HDD 40GB 7200 rpm Serial ATA (models 11U 23U 23F 23G 24A 24Q 24T 31U 31F 31G 31L 31D 31M 31A 31Q 31T 31C 31B 31H 31V 31K 31J 32U 32Q 31E A1U A1S A1P A1L A1Y A2U A2S A2P A2L A2Y 12U 12A 12Q 12T 12C 12B 12H 12V 14U 14F 15U 26U 36U A3K A4U A4S A4Y 17K 4MU 4MS 4MY B2G B5A B5Q B5T B6V B8K D4G D5A D5Q D5T D8K CTO BAC 4RG)	71P7312	*
7	HDD 40GB 7200 rpm Serial ATA (models 11U 23U 23F 23G 24A 24Q 24T 31U 31F 31G 31L 31D 31M 31A 31Q 31T 31C 31B 31H 31V 31K 31J 32U 32Q 31E A1U A1S A1P A1L A1Y A2U A2S A2P A2L A2Y 12U 12A 12Q 12T 12C 12B 12H 12V 14U 14F 15U 26U 36U A3K A4U A4S A4Y 17K 4MU 4MS 4MY B2G B5A B5Q B5T B6V B8K D4G D5A D5Q D5T D8K CTO BAC 4RG A7U A8U AAU 1BU 1CU 1DU 19U 2EU 2EF 2EG 2FU 2FF 2FS 2FP 2FL 2FD 2FY 2FG 2FM 2FA 2FQ 2FT 2FC 2FB 2FH 2FV 2FK 2FJ 2FU 2FF 2FS 2FP 2FL 2FD 2FY 2FG 2FM 2FA 2FQ 2FT 2FC 2FB 2FH 2FV 2FK 2FJ 3FU 3FF 3FS 3FP 3FL 3FD 3FY 3FG 3FM 3FA 3FQ 3FT 3FC 3FB 3FH 3FV 3FK 3FJ 3GU 3HU 4UG BDU BDF BDS BDP BDL BDD BDY BDG BDM BDA BDQ BDT BDC BDB BDH BDV BDK BDJ DCU)	40Y8760	*
7	HDD 40GB 7200 rpm Serial ATA (models 11U 23U 23F 23G 24A 24Q 24T 31U 31F 31G 31L 31D 31M 31A 31Q 31T 31C 31B 31H 31V 31K 31J 32U 32Q 31E A1U A1S A1P A1L A1Y A2U A2S A2P A2L A2Y 12U 12A 12Q 12T 12C 12B 12H 12V 14U 14F 15U 26U 36U A3K A4U A4S A4Y 17K 4MU 4MS 4MY B2G B5A B5Q B5T B6V B8K D4G D5A D5Q D5T D8K CTO BAC 4RG A7U A8U AAU 1BU 1CU 1DU 19U 2EU 2EF 2EG 2FU 2FF 2FS 2FP 2FL 2FD 2FY 2FG 2FM 2FA 2FQ 2FT 2FC 2FB 2FH 2FV 2FK 2FJ 3FU 3FF 3FS 3FP 3FL 3FD 3FY 3FG 3FM 3FA 3FQ 3FT 3FC 3FB 3FH 3FV 3FK 3FJ 3GU 3HU 4UG BDU BDF BDS BDP BDL BDD BDY BDG BDM BDA BDQ BDT BDC BDB BDH BDV BDK BDJ DCU)	40Y9033	*
7	HDD 80GB 7200 rpm Serial ATA (models CTO 21S 21P 21Y 22B 22H 25G 33C 33B 33H 33V 34G 35S 35P 35Y 13S 13P 13L 13Y 27S 27P 27L 27Y 28U 29U 37U 37F 37S 37P 37L 37D 37Y 37G 37M 37A 37Q 37T 37C 37B 37H 37V 37K 37E 37J 38S 38P 38L 38Y 39U 3AU A5S 16S 16Y 16B 16H 3BU 3BF 4FC 4HJ 4JU 4JF 4KU 4LU 4NS 4NY B3J B4J B7B B7H B9U B9F B9S B9Y D1J D2J D3G D6C D7B D7H D7V D9U D9F D9S D9Y B1G A6S A6P A6Y 18U 18F 2AU 2AF 2BS 2BP 2BY 3CU 3CF 3DS 3DP 3DY 4SG BBS BBP BBY BCS BCP BCY DAS DAP DAY DBS DBP DBY 2CU)	71P7293	*
7	HDD 80GB 7200 rpm Serial ATA (models CTO 21S 21P 21Y 22B 22H 25G 33C 33B 33H 33V 34G 35S 35P 35Y 13S 13P 13L 13Y 27S 27P 27L 27Y 28U 29U 37U 37F 37S 37P 37L 37D 37Y 37G 37M 37A 37Q 37T 37C 37B 37H 37V 37K 37E 37J 38S 38P 38L 38Y 39U 3AU A5S 16S 16Y 16B 16H 3BU 3BF 4FC 4HJ 4JU 4JF 4KU 4LU 4NS 4NY B3J B4J B7B B7H B9U B9F B9S B9Y D1J D2J D3G D6C D7B D7H D7V D9U D9F D9S D9Y B1G A6S A6P A6Y 18U 18F 2AU 2AF 2BS 2BP 2BY 3CU 3CF 3DS 3DP 3DY 4SG BBS BBP BBY BCS BCP BCY DAS DAP DAY DBS DBP DBY 2CU ABS ABP ABY ACS ACP ACY A9U A9F A9S A9P A9Y ADS ADP ADY 1AS 1AP 1AY 2DS 2DP 2DY 2DB 2GS 2GP 2GA 2GQ 2GT 2HU 2JU 2KU 2LG 2MU 2MF 3ES 3EP 3EY 3EC 3EB 3EH 3EV 3JS 3JP 3JA 3JQ 3JT 3KU 3LU 3LF 3NU 3NF 3NS 3NP 3NL 3ND 3NY 3NG 3NM 3NA 3NQ 3NT 3NC 3NB 3NH 3NV 3NK 3NJ 3PU 3PF 4TS 4TP 4TY 4TC 4VU 4WU 4XU 4XF 4YS 4YP 4YY 54U 54G 56A 56Q 56T BEU BEF BES BEP BFA BFQ BFT DDU DDF DDS DDP DEU DEA DEQ DET)	40Y8761	*
7	HDD 80GB 7200 rpm Serial ATA (models CTO 21S 21P 21Y 22B 22H 25G 33C 33B 33H 33V 34G 35S 35P 35Y 13S 13P 13L 13Y 27S 27P 27L 27Y 28U 29U 37U 37F 37S 37P 37L 37D 37Y 37G 37M 37A 37Q 37T 37C 37B 37H 37V 37K 37E 37J 38S 38P 38L 38Y 39U 3AU A5S 16S 16Y 16B 16H 3BU 3BF 4FC 4HJ 4JU 4JF 4KU 4LU 4NS 4NY B3J B4J B7B B7H B9U B9F B9S B9Y D1J D2J D3G D6C D7B D7H D7V D9U D9F D9S D9Y B1G A6S A6P A6Y 18U 18F 2AU 2AF 2BS 2BP 2BY 3CU 3CF 3DS 3DP 3DY 4SG BBS BBP BBY BCS BCP BCY DAS DAP DAY DBS DBP DBY 2CU ABS ABP ABY ACS ACP ACY A9U A9F A9S A9P A9Y ADS ADP ADY 1AS 1AP 1AY 2DS 2DP 2DY 2DB 2GS 2GP 2GA 2GQ 2GT 2HU 2JU 2KU 2LG 2MU 2MF 3ES 3EP 3EY 3EC 3EB 3EH 3EV 3JS 3JP 3JA 3JQ 3JT 3KU 3LU 3LF 3NU 3NF 3NS 3NP 3NL 3ND 3NY 3NG 3NM 3NA 3NQ 3NT 3NC 3NB 3NH 3NV 3NK 3NJ 3PU 3PF 4TS 4TP 4TY 4TC 4VU 4WU 4XU 4XF 4YS 4YP 4YY 54U 54G 56A 56Q 56T BEU BEF BES BEP BFA BFQ BFT DDU DDF DDS DDP DEU DEA DEQ DET)	40Y9034	*

Item #	8141 FRUs	FRU#	CRU
7	HDD 160GB 7200 rpm Serial ATA (models CTO 4GC)	71P7297	*
7	HDD 160GB 7200 rpm Serial ATA (models CTO 4GC 55S 55P 55Y 55C)	40Y8762	*
7	HDD 160GB 7200 rpm Serial ATA (models CTO 4GC 55S 55P 55Y 55C)	40Y9035	*
8	CD-ROM Drive 48X - Black w/o jack & vol (models BCS BCP BCY DBS DBP DBY 21S 21P 21Y 31S 31P 31Y 32A 32T CTO 11U 22B 22H 23U 23F 23G 24A 24Q 24T 31U 31F 31G 31L 31D 31M 31A 31Q 31T 31C 31B 31H 31V 31K 31J 32U 32Q 33C 33B 33H 33V 35S 35P 35Y 31E A1U A1S A1P A1L A1Y A2U A2S A2P A2L A2Y 12U 12A 12Q 12T 12C 12B 12H 12V 13S 13P 13L 13Y 14U 14F 27S 27P 27L 27Y 36U A3K A4U A4S A4Y A5S 16S 16Y 16B 16H 17K 4HJ 4MU 4MS 4MY 4NS 4NY B2G B3J B5A B5Q B5T B6V B7B B7H B8K B9U B9F B9S B9Y D1J D4G D5A D5Q D5T D6C D7B D7H D7V D8K BAC A6S A6P A6Y 18U 18F 2AU 2AF 2BS 2BP 2BY 3CU 3CF 4RG)	71P7371	*
8	CD-ROM Drive 48X - Black w/o jack & vol (models BCS BCP BCY DBS DBP DBY 21S 21P 21Y 31S 31P 31Y 32A 32T CTO 11U 22B 22H 23U 23F 23G 24A 24Q 24T 31U 31F 31G 31L 31D 31M 31A 31Q 31T 31C 31B 31H 31V 31K 31J 32U 32Q 33C 33B 33H 33V 35S 35P 35Y 31E A1U A1S A1P A1L A1Y A2U A2S A2P A2L A2Y 12U 12A 12Q 12T 12C 12B 12H 12V 13S 13P 13L 13Y 14U 14F 27S 27P 27L 27Y 36U A3K A4U A4S A4Y A5S 16S 16Y 16B 16H 17K 4HJ 4MU 4MS 4MY 4NS 4NY B2G B3J B5A B5Q B5T B6V B7B B7H B8K B9U B9F B9S B9Y D1J D4G D5A D5Q D5T D6C D7B D7H D7V D8K BAC A6S A6P A6Y 18U 18F 2AU 2AF 2BS 2BP 2BY 3CU 3CF 4RG)	71P7375	*
8	CD-ROM Drive 48X - Black w/o jack & vol (models BCS BCP BCY DBS DBP DBY 21S 21P 21Y 31S 31P 31Y 32A 32T CTO 11U 22B 22H 23U 23F 23G 24A 24Q 24T 31U 31F 31G 31L 31D 31M 31A 31Q 31T 31C 31B 31H 31V 31K 31J 32U 32Q 33C 33B 33H 33V 35S 35P 35Y 31E A1U A1S A1P A1L A1Y A2U A2S A2P A2L A2Y 12U 12A 12Q 12T 12C 12B 12H 12V 13S 13P 13L 13Y 14U 14F 27S 27P 27L 27Y 36U A3K A4U A4S A4Y A5S 16S 16Y 16B 16H 17K 4HJ 4MU 4MS 4MY 4NS 4NY B2G B3J B5A B5Q B5T B6V B7B B7H B8K B9U B9F B9S B9Y D1J D4G D5A D5Q D5T D6C D7B D7H D7V D8K BAC A6S A6P A6Y 18U 18F 2AU 2AF 2BS 2BP 2BY 3CU 3CF 4RG)	71P7377	*
8	CD-ROM Drive 48X - Black w/o jack & vol (models BCS BCP BCY DBS DBP DBY 21S 21P 21Y 31S 31P 31Y 32A 32T CTO 11U 22B 22H 23U 23F 23G 24A 24Q 24T 31U 31F 31G 31L 31D 31M 31A 31Q 31T 31C 31B 31H 31V 31K 31J 32U 32Q 33C 33B 33H 33V 35S 35P 35Y 31E A1U A1S A1P A1L A1Y A2U A2S A2P A2L A2Y 12U 12A 12Q 12T 12C 12B 12H 12V 13S 13P 13L 13Y 14U 14F 27S 27P 27L 27Y 36U A3K A4U A4S A4Y A5S 16S 16Y 16B 16H 17K 4HJ 4MU 4MS 4MY 4NS 4NY B2G B3J B5A B5Q B5T B6V B7B B7H B8K B9U B9F B9S B9Y D1J D4G D5A D5Q D5T D6C D7B D7H D7V D8K BAC A6S A6P A6Y 18U 18F 2AU 2AF 2BS 2BP 2BY 3CU 3CF 4RG)	71P7385	*
8	CD-ROM Drive 48X - Black w/o jack & vol (models BCS BCP BCY DBS DBP DBY 21S 21P 21Y 31S 31P 31Y 32A 32T CTO 11U 22B 22H 23U 23F 23G 24A 24Q 24T 31U 31F 31G 31L 31D 31M 31A 31Q 31T 31C 31B 31H 31V 31K 31J 32U 32Q 33C 33B 33H 33V 35S 35P 35Y 31E A1U A1S A1P A1L A1Y A2U A2S A2P A2L A2Y 12U 12A 12Q 12T 12C 12B 12H 12V 13S 13P 13L 13Y 14U 14F 27S 27P 27L 27Y 36U A3K A4U A4S A4Y A5S 16S 16Y 16B 16H 17K 4HJ 4MU 4MS 4MY 4NS 4NY B2G B3J B5A B5Q B5T B6V B7B B7H B8K B9U B9F B9S B9Y D1J D4G D5A D5Q D5T D6C D7B D7H D7V D8K BAC A6S A6P A6Y 18U 18F 2AU 2AF 2BS 2BP 2BY 3CU 3CF 4RG)	39M3511	*

Item #	8141 FRUs	FRU#	CRU
8	CD-ROM Drive 48X - Black w/o jack & vol (models BCS BCP BCY DBS DBP DBY 21S 21P 21Y 31S 31P 31Y 32A 32T CTO 11U 22B 22H 23U 23F 23G 24A 24Q 24T 31U 31F 31G 31L 31D 31M 31A 31Q 31T 31C 31B 31H 31V 31K 31J 32U 32Q 33C 33B 33H 33V 35S 35P 35Y 31E A1U A1S A1P A1L A1Y A2U A2S A2P A2L A2Y 12U 12A 12Q 12T 12C 12B 12H 12V 13S 13P 13L 13Y 14U 14F 27S 27P 27L 27Y 36U A3K A4U A4S A4Y A5S 16S 16Y 16B 16H 17K 4HJ 4MU 4MS 4MY 4NS 4NY B2G B3J B5A B5Q B5T B6V B7B B7H B8K B9U B9F B9S B9Y D1J D4G D5A D5Q D5T D6C D7B D7H D7V D8K BAC A6S A6P A6Y 18U 18F 2AU 2AF 2BS 2BP 2BY 3CU 3CF 4RG)	26K5445	*
8	CD-ROM Drive 48X - Black w/o jack & vol (models BCS BCP BCY DBS DBP DBY A7U ABS ABP ABY A8U ACS ACP ACY A9U A9F A9S A9P A9Y AAU ADS ADP ADY 1BU 1CU 19U 1AS 1AP 1AY 2DS 2DP 2DY 2DB 2EU 2EF 2EG 2GS 2GP 2GA 2GQ 2GT 2MU 2MF 3ES 3EP 3EY 3EC 3EB 3EH 3EV 3FU 3FF 3FS 3FP 3FL 3FD 3FY 3FG 3FM 3FA 3FQ 3FT 3FC 3FB 3FH 3FV 3FK 3FJ 3GU 3HU 3JS 3JP 3JA 3JQ 3JT 3PU 3PF 4UG 4YS 4YP 4YY BDU BDF BDS BDP BDL BDD BDY BDG BDM BDA BDQ BDT BDC BDB BDH BDV BDK BDJ BFA BFQ BFT DCU 21S 21P 21Y 31S 31P 31Y 32A 32T CTO 11U 22B 22H 23U 23F 23G 24A 24Q 24T 31U 31F 31G 31L 31D 31M 31A 31Q 31T 31C 31B 31H 31V 31K 31J 32U 32Q 33C 33B 33H 33V 35S 35P 35Y 31E A1U A1S A1P A1L A1Y A2U A2S A2P A2L A2Y 12U 12A 12Q 12T 12C 12B 12H 12V 13S 13P 13L 13Y 14U 14F 27S 27P 27L 27Y 36U A3K A4U A4S A4Y A5S 16S 16Y 16B 16H 17K 4HJ 4MU 4MS 4MY 4NS 4NY B2G B3J B5A B5Q B5T B6V B7B B7H B8K B9U B9F B9S B9Y D1J D4G D5A D5Q D5T D6C D7B D7H D7V D8K BAC A6S A6P A6Y 18U 18F 2AU 2AF 2BS 2BP 2BY 3CU 3CF 4RG)	40Y8807	*
8	DVD-ROM 16X/48X - Black (models CTO-G 34G 25G 26U 37U 37F 37S 37P 37L 37D 37Y 37G 37M 37A 37Q 37T 37C 37B 37H 37V 37K 37E 37J 4FC 4JU 4JF D3G B1G 4SG)	33P3237	*
8	DVD-ROM 16X/48X - Black (models CTO-G 34G 25G 26U 37U 37F 37S 37P 37L 37D 37Y 37G 37M 37A 37Q 37T 37C 37B 37H 37V 37K 37E 37J 4FC 4JU 4JF D3G B1G 4SG)	71P7357	*
8	DVD-ROM 16X/48X - Black (models CTO-G 34G 25G 26U 37U 37F 37S 37P 37L 37D 37Y 37G 37M 37A 37Q 37T 37C 37B 37H 37V 37K 37E 37J 4FC 4JU 4JF D3G B1G 4SG)	26K5385	*
8	DVD-ROM 16X/48X - Black (models CTO-G 34G 25G 26U 37U 37F 37S 37P 37L 37D 37Y 37G 37M 37A 37Q 37T 37C 37B 37H 37V 37K 37E 37J 4FC 4JU 4JF D3G B1G 4SG)	26K5435	*
8	DVD-ROM 16X/48X - Black (models CTO 4SG)	39M3513	*
8	DVD-ROM 16X/48X - Black (models CTO 4SG)	39M3515	*
8	DVD-ROM 16X/48X - Black (models CTO 4SG)	39M3517	*
8	DVD-ROM 16X/48X - Black (models CTO 4SG 2FU 2FF 2FS 2FP 2FL 2FD 2FY 2FG 2FM 2FA 2FQ 2FT 2FC 2FB 2FH 2FV 2FK 2FJ 2LG 3NU 3NF 3NS 3NP 3NL 3ND 3NY 3NG 3NM 3NA 3NQ 3NT 3NC 3NB 3NH 3NV 3NK 3NJ 4TS 4TP 4TY 4TC 4XU 4XF 54U 54G 56A 56Q 56T DEU DEA DEQ DET)	40Y8803	*
8	DVD-ROM 16X/48X - Black (models CTO 4SG 2FU 2FF 2FS 2FP 2FL 2FD 2FY 2FG 2FM 2FA 2FQ 2FT 2FC 2FB 2FH 2FV 2FK 2FJ 2LG 3NU 3NF 3NS 3NP 3NL 3ND 3NY 3NG 3NM 3NA 3NQ 3NT 3NC 3NB 3NH 3NV 3NK 3NJ 4TS 4TP 4TY 4TC 4XU 4XF 54U 54G 56A 56Q 56T DEU DEA DEQ DET)	40Y8811	*
8	DVD-ROM 16X/48X - Black (models CTO 4SG 2FU 2FF 2FS 2FP 2FL 2FD 2FY 2FG 2FM 2FA 2FQ 2FT 2FC 2FB 2FH 2FV 2FK 2FJ 2LG 3NU 3NF 3NS 3NP 3NL 3ND 3NY 3NG 3NM 3NA 3NQ 3NT 3NC 3NB 3NH 3NV 3NK 3NJ 4TS 4TP 4TY 4TC 4XU 4XF 54U 54G 56A 56Q 56T DEU DEA DEQ DET)	40Y8935	*
8	DVD-ROM 16X/48X - Black (models 4SG)	39M3513	*
8	DVD-ROM 16X/48X - Black (models 4SG)	39M3515	*

Item #	8141 FRUs	FRU#	CRU
8	DVD-ROM 16X/48X - Black (models 4SG)	39M3517	*
8	CD-RW Drive (48X/32X/48X) (models CTO 15U 38S 38P 38L 38Y 3DS 3DP 3DY BBS BBP BBY DAS DAP DAY)	71P7347	*
8	CD-RW Drive (48X/32X/48X) (models CTO 15U 38S 38P 38L 38Y 3DS 3DP 3DY BBS BBP BBY DAS DAP DAY)	71P7349	*
8	CD-RW Drive (48X/32X/48X) (models CTO 15U 38S 38P 38L 38Y 3DS 3DP 3DY BBS BBP BBY DAS DAP DAY)	26K5401	*
8	CD-RW Drive (48X/32X/48X) (models CTO 15U 38S 38P 38L 38Y 3DS 3DP 3DY BBS BBP BBY DAS DAP DAY)	26K5449	*
8	CD-RW Drive (48X/32X/48X) (models CTO 15U 38S 38P 38L 38Y 3DS 3DP 3DY BBS BBP BBY DAS DAP DAY)	40Y8901	*
8	CD-RW Drive (48X/32X/48X) (models CTO 15U 38S 38P 38L 38Y 3DS 3DP 3DY BBS BBP BBY DAS DAP DAY)	40Y8937	*
8	Universal Combo Drive (48x/24x/48x/16x) (models CTO 15U 38S 38P 38L 38Y 3BU 3BF 4GC 4KU 4LU B4J D2J D9U D9F D9S D9Y)	26K5390	*
8	DVD-ROM/CD-RW Combo Drive (48x/32x/48x/16x) (models CTO 28U 29U 39U 3AU 3BU 3BF 4GC 4KU 4LU B4J D2J D9U D9F D9S D9Y 2CU)	26K5379	*
8	DVD-ROM/CD-RW Combo Drive (48x/32x/48x/16x) (models CTO 28U 29U 39U 3AU 3BU 3BF 4GC 4KU 4LU B4J D2J D9U D9F D9S D9Y 2CU)	26K5381	*
8	DVD-ROM/CD-RW Combo Drive (48x/32x/48x/16x) (models CTO 28U 29U 39U 3AU 2CU)	26K5429	*
8	DVD-ROM/CD-RW Combo Drive (48x/32x/48x/16x) (models 2CU CTO)	39M3539	*
8	DVD-ROM/CD-RW Combo Drive (48x/32x/48x/16x) (models CTO 2CU 2HU 2JU 2KU 3KU 3LU 3LF 4VU 4WU 55S 55P 55Y 55C BEU BEF BES BEP DDU DDF DDS DDP)	40Y8781	*
8	DVD-ROM/CD-RW Combo Drive (48x/32x/48x/16x) (models CTO 2CU 2HU 2JU 2KU 3KU 3LU 3LF 4VU 4WU 55S 55P 55Y 55C BEU BEF BES BEP DDU DDF DDS DDP)	40Y8903	*
8	DVD-ROM/CD-RW Combo Drive (48x/32x/48x/16x) (models CTO 2CU 2HU 2JU 2KU 3KU 3LU 3LF 4VU 4WU 55S 55P 55Y 55C BEU BEF BES BEP DDU DDF DDS DDP)	40Y8919	*
8	Multi-Burner Plus (Rambo IV) (models CTO)	26K5383	*
8	Multi-Burner Plus (Rambo VI) (models CTO)	26K5441	*
8	Multi-Burner Plus (Rambo VI) (models CTO)	40Y8799	*
8	Universal Rambo drive (Black) (models CTO)	26K5377	*
9	3.5" 1.44MB 2 MODE diskette drive (models 4MY 4NS 4NY B2G B3J B4J B5A B5Q B5T B6V B7B B7H B8K B9U B9F B9S B9Y D1J D2J D3G D4G D5A D5Q D5T D6C D7B D7H D7V D8K D9U D9F D9S D9Y B1G BAC A6S A6P A6Y 18U 18F 2AU 2AF 2BS 2BP 2BY 3CU 3CF 3DS 3DP 3DY 4RG 4SG BBS BBP BBY BCS BCP BCY DAS DAP DAY DBS DBP DBY 2CU 21S 21P 21Y 31S 31P 31Y 32A 32T CTO 11U 22B 22H 23U 23F 23G 24A 24Q 24T 25G 31U 31F 31G 31L 31D 31M 31A 31Q 31T 31C 31B 31H 31V 31K 31J 32U 32Q 33C 33B 33H 33V 34G 35S 35P 35Y 31E A1U A1S A1P A1L A1Y A2U A2S A2P A2L A2Y 12U 12A 12Q 12T 12C 12B 12H 12V 13S 13P 13L 13Y 14U 14F 15U 26U 27S 27P 27L 27Y 28U 29U 36U 37U 37F 37S 37P 37L 37D 37Y 37G 37M 37A 37Q 37T 37C 37B 37H 37V 37K 37E 37J 38S 38P 38L 38Y 39U 3AU A3K A4U A4S A4Y A5S 16S 16Y 16B 16H 17K 3BU 3BF 4FC 4GC 4HJ 4JU 4JF 4KU 4LU 4MU 4MS)	76H4091	*
9	3.5" 1.44MB 2 Mode diskette drive (models A6S A6P A6Y 18U 18F 2AU 2AF 2BS 2BP 2BY 3CU 3CF 3DS 3DP 3DY 4RG 4SG BBS BBP BBY BCS BCP BCY DAS DAP DAY DBS DBP DBY 2CU)	24P3889	*



Item #	8141 FRUs	FRU#	CRU
9	3.5" 1.44MB 2 Mode diskette drive (models A6S A6P A6Y 18U 18F 2AU 2AF 2BS 2BP 2BY 3CU 3CF 3DS 3DP 3DY 4RG 4SG BBS BBP BBY BCS BCP BCY DAS DAP DAY DBS DBP DBY 2CU CTO)	39M0101	*
9	3.5" 1.44MB 2 Mode diskette drive (models A6S A6P A6Y 18U 18F 2AU 2AF 2BS 2BP 2BY 3CU 3CF 3DS 3DP 3DY 4RG 4SG BBS BBP BBY BCS BCP BCY DAS DAP DAY DBS DBP DBY 2CU CTO A7U ABS ABP ABY A8U ACS ACP ACY A9U A9F A9S A9P A9Y AAU ADS ADP ADY 1BU 1CU 1DU 19U 1AS 1AP 1AY 2DS 2DP 2DY 2DB 2EU 2EF 2EG 2FU 2FF 2FS 2FP 2FL 2FD 2FY 2FG 2FM 2FA 2FQ 2FT 2FC 2FB 2FH 2FV 2FK 2FJ 2GS 2GP 2GA 2GQ 2GT 2HU 2JU 2KU 2LG 2MU 2MF 3ES 3EP 3EY 3EC 3EB 3EH 3EV 3FU 3FF 3FS 3FP 3FL 3FD 3FY 3FG 3FM 3FA 3FQ 3FT 3FC 3FB 3FH 3FV 3FK 3FJ 3GU 3HU 3JS 3JP 3JA 3JQ 3JT 3KU 3LU 3LF 3NU 3NF 3NS 3NP 3NL 3ND 3NY 3NG 3NM 3NA 3NQ 3NT 3NC 3NB 3NH 3NV 3NK 3NJ 3PU 3PF 4TS 4TP 4TY 4TC 4UG 4VU 4WU 4XU 4XF 4YS 4YP 4YY 54U 54G 55S 55P 55Y 55C 56A 56Q 56T BDU BDF BDS BDP BDL BDD BDY BDG BDM BDA BDQ BDT BDC BDB BDH BDV BDK BDJ BEU BEF BES BEP BFA BFQ BFT DCU DDU DDF DDS DDP DEU DEA DEQ DET)	40Y9107	*
9	3.5" 1.44MB 2 Mode diskette drive (models A6S A6P A6Y 18U 18F 2AU 2AF 2BS 2BP 2BY 3CU 3CF 3DS 3DP 3DY 4RG 4SG BBS BBP BBY BCS BCP BCY DAS DAP DAY DBS DBP DBY 2CU CTO A7U ABS ABP ABY A8U ACS ACP ACY A9U A9F A9S A9P A9Y AAU ADS ADP ADY 1BU 1CU 1DU 19U 1AS 1AP 1AY 2DS 2DP 2DY 2DB 2EU 2EF 2EG 2FU 2FF 2FS 2FP 2FL 2FD 2FY 2FG 2FM 2FA 2FQ 2FT 2FC 2FB 2FH 2FV 2FK 2FJ 2GS 2GP 2GA 2GQ 2GT 2HU 2JU 2KU 2LG 2MU 2MF 3ES 3EP 3EY 3EC 3EB 3EH 3EV 3FU 3FF 3FS 3FP 3FL 3FD 3FY 3FG 3FM 3FA 3FQ 3FT 3FC 3FB 3FH 3FV 3FK 3FJ 3GU 3HU 3JS 3JP 3JA 3JQ 3JT 3KU 3LU 3LF 3NU 3NF 3NS 3NP 3NL 3ND 3NY 3NG 3NM 3NA 3NQ 3NT 3NC 3NB 3NH 3NV 3NK 3NJ 3PU 3PF 4TS 4TP 4TY 4TC 4UG 4VU 4WU 4XU 4XF 4YS 4YP 4YY 54U 54G 55S 55P 55Y 55C 56A 56Q 56T BDU BDF BDS BDP BDL BDD BDY BDG BDM BDA BDQ BDT BDC BDB BDH BDV BDK BDJ BEU BEF BES BEP BFA BFQ BFT DCU DDU DDF DDS DDP DEU DEA DEQ DET)	40Y9105	*
9	3.5" 1.44MB 2 Mode diskette drive (models A6S A6P A6Y 18U 18F 2AU 2AF 2BS 2BP 2BY 3CU 3CF 3DS 3DP 3DY 4RG 4SG BBS BBP BBY BCS BCP BCY DAS DAP DAY DBS DBP DBY 2CU CTO A7U ABS ABP ABY A8U ACS ACP ACY A9U A9F A9S A9P A9Y AAU ADS ADP ADY 1BU 1CU 1DU 19U 1AS 1AP 1AY 2DS 2DP 2DY 2DB 2EU 2EF 2EG 2FU 2FF 2FS 2FP 2FL 2FD 2FY 2FG 2FM 2FA 2FQ 2FT 2FC 2FB 2FH 2FV 2FK 2FJ 2GS 2GP 2GA 2GQ 2GT 2HU 2JU 2KU 2LG 2MU 2MF 3ES 3EP 3EY 3EC 3EB 3EH 3EV 3FU 3FF 3FS 3FP 3FL 3FD 3FY 3FG 3FM 3FA 3FQ 3FT 3FC 3FB 3FH 3FV 3FK 3FJ 3GU 3HU 3JS 3JP 3JA 3JQ 3JT 3KU 3LU 3LF 3NU 3NF 3NS 3NP 3NL 3ND 3NY 3NG 3NM 3NA 3NQ 3NT 3NC 3NB 3NH 3NV 3NK 3NJ 3PU 3PF 4TS 4TP 4TY 4TC 4UG 4VU 4WU 4XU 4XF 4YS 4YP 4YY 54U 54G 55S 55P 55Y 55C 56A 56Q 56T BDU BDF BDS BDP BDL BDD BDY BDG BDM BDA BDQ BDT BDC BDB BDH BDV BDK BDJ BEU BEF BES BEP BFA BFQ BFT DCU DDU DDF DDS DDP DEU DEA DEQ DET)	40Y9113	*
10	Power Supply 310 Watt (models A7U A8U A9U A9F AAU 1BU 1CU 1DU 19U 2EU 2EF 2EG 2FU 2FF 2FG 2FM 2FA 2FT 2FK 2FJ 2GA 2GT 2HU 2JU 2KU 2LG 2MU 2MF 3FU 3FF 3FG 3FM 3FA 3FT 3FK 3FJ 3GU 3HU 3JA 3JT 3KU 3LU 3LF 3NU 3NF 3NG 3NM 3NA 3NT 3NK 3NJ 3PU 3PF 4UG 4VU 4WU 4XU 4XF 54U 54G 56A 56T BDU BDF BDG BDM BDA BDT BDK BDJ BEU BEF BFA BFT DCU DDU DDF DEU DEA DET CGU CHU CJU CKU CLU 32A 32T CTO 11U 23U 23F 23G 24A 24T 25G 31U 31F 31G 31M 31A 31T 31K 31J 32U 34G CAU CBU 31E A1U A2U 12U 12A 12T 14U 14F 15U 26U 28U 29U 36U 37U 37F 37G 37M 37A 37T 37K 37E 37J 39U 3AU CCU A3K A4U 17K 3BU 3BF 4HJ 4JU 4JF 4KU 4LU 4MU B2G B3J B4J B5A B5T B8K B9U B9F D1J D2J D3G D4G D5A D5T D8K D9U D9F CEU CFU B1G 18U 18F 2AU 2AF 3CU 3CF 4RG 4SG 2CU)	24R2574	**

Item #	8141 FRUs	FRU#	CRU
10	Power Supply 310 Watt (China) (models ABS ABP ABY ACS ACP ACY A9S A9P A9Y ADS ADP ADY 1AS 1AP 1AY 2DS 2DP 2DY 2DB 2FS 2FP 2FL 2FD 2FY 2FQ 2FC 2FB 2FH 2FV 2GS 2GP 2GQ 3ES 3EP 3EY 3EC 3EB 3EH 3EV 3FS 3FP 3FL 3FD 3FY 3FQ 3FC 3FB 3FH 3FV 3JS 3JP 3JQ 3NS 3NP 3NL 3ND 3NY 3NQ 3NC 3NB 3NH 3NV 4TS 4TP 4TY 4TC 4YS 4YP 4YY 55S 55P 55Y 55C 56Q BDS BDP BDL BDD BDY BDQ BDC BDB BDH BDV BES BEP BFQ DDS DDP DEQ 21S 21P 21Y 31S 31P 31Y 22B 22H 24Q 31L 31D 31Q 31C 31B 31H 31V 32Q 33C 33B 33H 33V 35S 35P 35Y A1S A1P A1L A1Y A2S A2P A2L A2Y 12Q 12C 12B 12H 12V 13S 13P 13L 13Y 27S 27P 27L 27Y 37S 37P 37L 37D 37Y 37Q 37C 37B 37H 37V 38S 38P 38L 38Y A4S A4Y A5S 16S 16Y 16B 16H 4FC 4GC 4MS 4MY 4NS 4NY B5Q B6V B7B B7H B9S B9Y D5Q D6C D7B D7H D7V D9S D9Y CTO-A CTO-L BAC A6S A6P A6Y 2BS 2BP 2BY 3DS 3DP 3DY BBS BBP BBY BCS BCP BCY DAS DAP DAY DBS DBP DBY)	24R2578	**

The FRUs listed in the following table are not illustrated.

8141 FRUs	FRU#	CRU
HDD Mounting Brkt Asm (all models)	88P5916	*
Speaker Asm, internal (All EXCEPT CAU CBU B5A B5Q B5T B6V D5A D5Q D5T D6C CEU CFU CGU CHU CJU CKU CLU)	00N5151	*
Speaker Cable Asm (RoHS Compliant) (all models)	39M0614	*
C2 Cable Asm (models 22B 22H 24A 24Q 24T 25G 32A 32Q 32T 32U 33B 33C 33H 33V 34G 12U 12A 12Q 12T 12C 12B 12H 12V 13S 13P 13L 13Y 27P 27L 27Y 37U 37F 37S 37P 37L 37D 37Y 37G 37M 37A 37Q 37T 37C 37B 37H 37V 37K 37E 37J 38S 38P 38L 38Y A3K 16S 16Y 16B 16H 17K 4FC 4GC 4HJ 4NS 4NY B3J B4J B5A B5Q B5T B6V B7B B7H B8K B9U B9F B9S B9Y D1J D2J D3G D5A D5Q D5T D6C D7B D7H D7V D8K D9U D9F D9S D9Y B1G CTO BAC A6S A6P A6Y 18U 18F 2AU 2AF 2BS 2BP 2BY 3CU 3CF 3DS 3DP 3DY 4RG 4SG BBS BBP BBY BCS BCP BCY DAS DAP DAY DBS DBP DBY ABS ABP ABY ACS ACP ACY A9U A9F A9S A9P A9Y ADS ADP ADY 1BU 1AS 1AP 1AY 2DS 2DP 2DY 2DB 2GS 2GP 2GA 2GQ 2GT 2LG 2MU 2MF 3ES 3EP 3EY 3EC 3EB 3EH 3EV 3HU 3JS 3JP 3JA 3JQ 3JT 3NU 3NF 3NS 3NP 3NL 3ND 3NY 3NG 3NM 3NA 3NQ 3NT 3NC 3NB 3NH 3NV 3NK 3NJ 3PU 3PF 4TS 4TP 4TY 4TC 4UG 4YS 4YP 4YY 54U 54G 55S 55P 55Y 55C 56A 56Q 56T BDU BDF BDS BDP BDL BDD BDY BDG BDM BDA BDQ BDT BDC BDB BDH BDV BDK BDJ BEU BEF BES BEP BFA BFQ BFT DCU DDU DDF DDS DDP DEU DEA DEQ DET)	09K9827	**
Cable, Second Serial Port (all models)	49P4530	**
Retention module assembly - (all models)	89P6725	*
Device Retaining Clips (all models)	13N2449	*
Fan and Duct Asm (all models)	39K5014	*
System board shield (all models)	89P6727	*
Cable, SATA (all models)	89P6728	**
Bezel Kit (all models)	89P6731	*
Cable and Front USB/Audio Card (all models)	89P6733	*
Cable, 2-drop IDE (all models)	89P6734	**
Cable, Diskette drive (all models)	89P6735	**
Shield, Blank Diskette drive (all models)	89P6736	*
Miscellaneous Hardware kit (all models)	89P6737	*
Cable, 1394 Front (all models)	89P6738	**
Cable, Power/LED (all models)	89P6739	**

8141 FRUs	FRU#	CRU
Battery, 3.0V (all models)	33F8354	*
Universal Adapter Bracket 5.25 to 3.5-inch	32P4743	*
Mouse, PS/2 -button (Black) (models CTO)	24P0383	*
Mouse, PS/2 - 3 Btn (Ball) Wheel (models 4HJ B3J B4J D1J D2J CTO)	24P0491	*
Mouse, Optical Wheelmouse, USB 400 DPI (models 4MY 4NS 4NY B2G B6V B7B B7H B8K B9U B9F B9S B9Y D3G D4G D5A D5Q D5T D6C D7B D7H D7V D8K D9U D9F D9S D9Y B1G BAC A6S A6P A6Y 18U 18F 2AU 2AF 2BS 2BP 2BY 3CU 3CF 3DS 3DP 3DY 4RG 4SG BBS BBP BBY BCS BCP BCY DAS DAP DAY DBS DBP DBY 2CU 2IS 2IP 2IY 3IS 3IP 3IY 32A 32T CTO 11U 22B 22H 23U 23F 23G 24A 24Q 24T 25G 31U 31F 31G 31L 31D 31M 31A 31Q 31T 31C 31B 31H 31V 31K 31J 32U 32Q 33C 33B 33H 33V 34G 35S 35P 35Y 31E A1U A1S A1P A1L A1Y A2U A2S A2P A2L A2Y 12U 12A 12Q 12T 12C 12B 12H 12V 13S 13P 13L 13Y 14U 14F 15U 26U 27S 27P 27L 27Y 28U 29U 36U 37U 37F 37S 37P 37L 37D 37Y 37G 37M 37A 37Q 37T 37C 37B 37H 37V 37K 37E 37J 38S 38P 38L 38Y 39U 3AU A3K A4U A4S A4Y A5S 16S 16Y 16B 16H 17K 3BU 3BF 4FC 4GC 4JU 4JF 4KU 4LU 4MU 4MS A7U ABS ABP ABY A8U ACS ACP ACY A9U A9F A9S A9P A9Y AAU ADS ADP ADY 1BU 1CU 1DU 19U 1AS 1AP 1AY 2DS 2DP 2DY 2DB 2EU 2EF 2EG 2FU 2FF 2FS 2FP 2FL 2FD 2FY 2FG 2FM 2FA 2FQ 2FT 2FC 2FB 2FH 2FV 2FK 2FJ 2GS 2GP 2GA 2GQ 2GT 2HU 2JU 2KU 2LG 2MU 2MF 3ES 3EP 3EY 3EC 3EB 3EH 3EV 3FU 3FF 3FS 3FP 3FL 3FD 3FY 3FG 3FM 3FA 3FQ 3FT 3FC 3FB 3FH 3FV 3FK 3FJ 3GU 3HU 3JS 3JP 3JA 3JQ 3JT 3KU 3LU 3LF 3NU 3NF 3NS 3NP 3NL 3ND 3NY 3NG 3NM 3NA 3NQ 3NT 3NC 3NB 3NH 3NV 3NK 3NJ 3PU 3PF 4TS 4TP 4TY 4TC 4UG 4VU 4WU 4XU 4XF 4YS 4YP 4YY 54U 54G 55S 55P 55Y 55C 56A 56Q 56T BDU BDF BDS BDP BDL BDD BDY BDG BDM BDA BDQ BDT BDC BDB BDH BDV BDK BDJ BEU BEF BES BEP BFA BFQ BFT DCU DDU DDF DDS DDP DEU DEA DEQ DET)	89P5089	*
64MB PCIe Adapter Dual VGA (models 29U 39U 3BU 3BF 4LU 2KU 3LU 3LF 4WU)	19R0849	*
PCI Serial Port Adapter (models CTO)	73P3974	*
PCI-E DVI-D Connection Adapter (models CTO)	19R2374	*
1394 Firewire PCI LP (ATX) (models CTO)	73P2608	*
RJ11 Connector adapter (Spain, Ireland) (all 'G' models)	60H6043	*
RJ11 Connector adapter (Austria) (all 'G' models)	60H6045	*
RJ11 Connector adapter (Belgium) (all 'G' models)	60H6046	*
RJ11 Connector adapter (Denmark) (all 'G' models)	60H6047	*
RJ11 Connector adapter (Norway/Finland) (all 'G' models)	60H6048	*
RJ11 Connector adapter (France) (all 'G' models)	60H6049	*
RJ11 Connector adapter (Germany) (all 'G' models)	60H6050	*
RJ11 Connector adapter (UK,NZ, HK) (All 'G', 'M', 'B', 'H' models)	60H6051	*
RJ11 Connector adapter (Italy) (all 'G' models)	60H6052	*
RJ11 Connector adapter (Netherlands) (all 'G' models)	60H6053	*
RJ11 Connector adapter (Sweden) (all 'G' models)	60H6054	*
RJ11 Connector adapter (Switzerland) (all 'G' models)	60H6055	*

8141 Keyboards (Preferred Pro Fullsize)	FRU#	CRU
US English (models 3NU 3NL 3NG 3NM 3NA 3NQ 3NC 3NH 4TC 4UG 4VU 4WU 4XU 54U 54G 55C 56A 56Q BDU BDL BDG BDM BDA BDQ BDC BDH BEU BFA BFQ DCU DDU DEU DEA DEQ 32A CTO 11U 22H 23U 23G 24A 24Q 25G 31U 31G 31L 31M 31A 31Q 31C 31H 32U 32Q 33C 33H 34G CAU CBU 31E A1U A1L A2U A2L 12U 12A 12Q 12C 12H 13L 14U 15U 26U 27L 28U 29U 36U 37U 37L 37G 37M 37A 37Q 37C 37H 37E 38L 39U 3AU A4U 16H 3BU 4FC 4GC 4JU 4KU 4LU 4MU B2G B5A B5Q B7H B9U D3G D4G D5A D5Q D6C D7H D9U B1G BAC 18U 4RG 4SG 2CU A7U A8U A9U AAU 1BU 1CU 1DU 19U 2EU 2EG 2FU 2FL 2FG 2FM 2FA 2FQ 2FC 2FH 2GA 2GQ 2HU 2JU 2KU 2LG 3EC 3EH 3FU 3FL 3FG 3FM 3FA 3FQ 3FC 3FH 3GU 3HU 3JA 3JQ 3KU 3LU)	89P8300	*
Arabic (models CTO-G 23G 25G 31G 34G 37G B2G D3G D4G B1G 4RG 4SG 2EG 2FG 2LG 3FG 3NG 4UG 54G BDG)	89P8301	*
Belgian/French (models CTO-G 23G 25G 31G 34G 37G B2G D3G D4G B1G 4RG 4SG 2EG 2FG 2LG 3FG 3NG 4UG 54G BDG)	89P8302	*
Belgian/UK (models CTO-G 23G 25G 31G 34G 37G B2G D3G D4G B1G 4RG 4SG 2EG 2FG 2LG 3FG 3NG 4UG 54G BDG)	89P8303	*
Bulgarian (models CTO-G 23G 25G 31G 34G 37G B2G D3G D4G B1G 4RG 4SG 2EG 2FG 2LG 3FG 3NG 4UG 54G BDG)	89P8305	*
Chinese/US (models 22B 31B 31V 33B 33V 12B 12V 37B 37V 16B B6V B7B D7B D7V 2DB 2FB 2FV 3EB 3EV 3FB 3FV 3NB 3NV BDB BDV)	89P8306	*
Czech (models CTO-G 23G 25G 31G 34G 37G B2G D3G D4G B1G 4RG 4SG 2EG 2FG 2LG 3FG 3NG 4UG 54G BDG)	89P8307	*
Danish (models CTO-G 23G 25G 31G 34G 37G B2G D3G D4G B1G 4RG 4SG 2EG 2FG 2LG 3FG 3NG 4UG 54G BDG)	89P8308	*
Dutch (models CTO-G 23G 25G 31G 34G 37G B2G D3G D4G B1G 4RG 4SG 2EG 2FG 2LG 3FG 3NG 4UG 54G BDG)	89P8309	*
French (models CTO-G 23G 25G 31G 34G 37G B2G D3G D4G B1G 4RG 4SG 2EG 2FG 2LG 3FG 3NG 4UG 54G BDG)	89P8310	*
French Canadian 445 (models CTO-U 23F 31F 14F 37F 3BF 4JF B9F D9F 18F A9F 2EF 2FF 3FF 3LF 3NF 4XF BDF BEF DDF)	89P8311	*
French Canadian 58 (models CTO-U 23F 31F 14F 37F 3BF 4JF B9F D9F 18F A9F 2EF 2FF 3FF 3LF 3NF 4XF BDF BEF DDF)	89P8312	*
German (models CTO-G 23G 25G 31G 34G 37G B2G D3G D4G B1G 4RG 4SG 2EG 2FG 2LG 3FG 3NG 4UG 54G BDG)	89P8313	*
Greek (models CTO-G 23G 25G 31G 34G 37G B2G D3G D4G B1G 4RG 4SG 2EG 2FG 2LG 3FG 3NG 4UG 54G BDG)	89P8314	*
Hebrew (models CTO-G 23G 25G 31G 34G 37G B2G D3G D4G B1G 4RG 4SG 2EG 2FG 2LG 3FG 3NG 4UG 54G BDG)	89P8315	*
Hungarian (models CTO-G 23G 25G 31G 34G 37G B2G D3G D4G B1G 4RG 4SG 2EG 2FG 2LG 3FG 3NG 4UG 54G BDG)	89P8316	*
Iceland (models CTO-G 23G 25G 31G 34G 37G B2G D3G D4G B1G 4RG 4SG 2EG 2FG 2LG 3FG 3NG 4UG 54G BDG)	89P8317	*
Italian 141 (models CTO-G 23G 25G 31G 34G 37G B2G D3G D4G B1G 4RG 4SG 2EG 2FG 2LG 3FG 3NG 4UG 54G BDG)	89P8318	*
Italian 142 (models CTO-G 23G 25G 31G 34G 37G B2G D3G D4G B1G 4RG 4SG 2EG 2FG 2LG 3FG 3NG 4UG 54G BDG)	89P8319	*
Japanese (models 31J 37J 4HJ B3J B4J D1J D2J 2FJ 3FJ 3NJ BDJ)	89P8320	*
Korean (models 31K 37K A3K 17K B8K D8K 31K 37K A3K 17K B8K D8K 2FK 3FK 3NK BDK)	89P8321	*

8141 Keyboards (Preferred Pro Fullsize)	FRU#	CRU
LA Spanish (models 21S 21Y 31S 31Y 31D 35S 35Y A1S A1Y A2S A2Y 13S 13Y 27S 27Y 37S 37D 37Y 38S 38Y A4S A4Y A5S 16S 16Y 4MS 4MY 4NS 4NY B9S B9Y D9S D9Y CTO-L A6S A6Y BCS BCY DBS DBY ABS ABY ACS ACY A9S A9Y ADS ADY 1AS 1AY 2DS 2DY 2FS 2FD 2FY 2GS 3ES 3EY 3FS 3FD 3FY 3JS 3NS 3ND 3NY 4TS 4TY 4YS 4YY 55S 55Y BDS BDD BDY BES DDS)	89P8322	*
Norwegian (models CTO-G 23G 25G 31G 34G 37G B2G D3G D4G B1G 4RG 4SG 2EG 2FG 2LG 3FG 3NG 4UG 54G BDG)	89P8323	*
Polish (models CTO-G 23G 25G 31G 34G 37G B2G D3G D4G B1G 4RG 4SG 2EG 2FG 2LG 3FG 3NG 4UG 54G BDG)	89P8324	*
Portuguese (models CTO-G 23G 25G 31G 34G 37G B2G D3G D4G B1G 4RG 4SG 2EG 2FG 2LG 3FG 3NG 4UG 54G BDG)	89P8325	*
Romanian (models CTO-G 23G 25G 31G 34G 37G B2G D3G D4G B1G 4RG 4SG 2EG 2FG 2LG 3FG 3NG 4UG 54G BDG)	89P8326	*
Russian (models CTO-G 23G 25G 31G 34G 37G B2G D3G D4G B1G 4RG 4SG 2EG 2FG 2LG 3FG 3NG 4UG 54G BDG)	89P8327	*
Russian/Cyrillic (models CTO-G 23G 25G 31G 34G 37G B2G D3G D4G B1G 4RG 4SG 2EG 2FG 2LG 3FG 3NG 4UG 54G BDG)	89P8328	*
Serbian/Cyrillic (models CTO-G 23G 25G 31G 34G 37G B2G D3G D4G B1G 4RG 4SG 2EG 2FG 2LG 3FG 3NG 4UG 54G BDG)	89P8329	*
Slovak (models CTO-G 23G 25G 31G 34G 37G B2G D3G D4G B1G 4RG 4SG 2EG 2FG 2LG 3FG 3NG 4UG 54G BDG)	89P8330	*
Spanish (models CTO-G 23G 25G 31G 34G 37G B2G D3G D4G B1G 4RG 4SG 2EG 2FG 2LG 3FG 3NG 4UG 54G BDG)	89P8331	*
Swedish/Finn (models CTO-G 23G 25G 31G 34G 37G B2G D3G D4G B1G 4RG 4SG 2EG 2FG 2LG 3FG 3NG 4UG 54G BDG)	89P8332	*
Swiss F/G (models CTO-G 23G 25G 31G 34G 37G B2G D3G D4G B1G 4RG 4SG 2EG 2FG 2LG 3FG 3NG 4UG 54G BDG)	89P8333	*
Thailand (models 32T 24T 31T 12T 37T B5T D5T CTO-A 2FT 2GT 3FT 3JT 3NT 56T BDT BFT DET)	89P8334	*
Turkish 440 (models CTO-G 23G 25G 31G 34G 37G B2G D3G D4G B1G 4RG 4SG 2EG 2FG 2LG 3FG 3NG 4UG 54G BDG)	89P8335	*
Turkish 179 (models CTO-G 23G 25G 31G 34G 37G B2G D3G D4G B1G 4RG 4SG 2EG 2FG 2LG 3FG 3NG 4UG 54G BDG)	89P8336	*
UK English (models CTO-G 23G 25G 31G 34G 37G B2G D3G D4G B1G 4RG 4SG 2EG 2FG 2LG 3FG 3NG 4UG 54G BDG)	89P8337	*
US Euro (models CTO-G 23G 25G 31G 34G 37G B2G D3G D4G B1G 4RG 4SG 2EG 2FG 2LG 3FG 3NG 4UG 54G BDG)	89P8338	*
Yugoslav/Latin (models CTO-G 23G 25G 31G 34G 37G B2G D3G D4G B1G 4RG 4SG 2EG 2FG 2LG 3FG 3NG 4UG 54G BDG)	89P8339	*
Brazil/Portugese (models 21P 31P 35P A1P A2P 13P 27P 37P 38P CTO-L A6P BCP DBP ABP ACP A9P ADP 1AP 2DP 2FP 2GP 3EP 3FP 3JP 3NP 4TP 4YP 55P BDP BEP DDP)	89P8304	*

8141 Fingerprint Keyboards	FRU#	CRU
US English (models 2AU 3CU)	89P9000	*
Brazilian Portuguese (models 2BP 3DP BBP DAP)	89P9005	*
French Canadian 445 (models 2AF 3CF 2MF 3PF)	89P9012	*
French Canadian 58 (models 2AF 3CF 2MF 3PF)	89P9013	*

8141 Fingerprint Keyboards	FRU#	CRU
LA Spanish (models 2BS 2BY 3DS 3DY BBS BBY DAS DAY)	89P9022	*

8141 Power Cords	FRU#	CRU
Power cord (models 21S 21P 31S 31P 32A 32T 11U 23U 23F 23G 24A 24T 25G 31U 31F 31G 31L 31D 31A 31T 31V 32U 33V 34G 35S 35P CAU CBU A1U A1S A1P A1L A2U A2S A2P A2L 12U 12A 12T 12V 13S 13P 13L 14U 14F 15U 26U 27S 27P 27L 28U 29U 36U 37U 37F 37S 37P 37L 37D 37G 37A 37T 37V 38S 38P 38L 39U 3AU CCU A4U A4S A5S 16S 3BU 3BF 4JU 4JF 4KU 4LU 4MU 4MS 4NS B2G B5A B5T B6V B9U B9F B9S D3G D4G D5A D5T D7V D9U D9F D9S CEU CFU B1G A6S A6P 18U 18F 2AU 2AF 2BS 2BP 3CU 3CF 3DS 3DP 4RG 4SG BBS BBP BCS BCP DAS DAP DBS DBP 2CU A7U ABS ABP A8U ACS ACP A9U A9F A9S A9P AAU ADS ADP 1BU 1CU 1DU 19U 1AS 1AP 2DS 2DP 2EU 2EF 2EG 2FU 2FF 2FS 2FP 2FL 2FD 2FG 2FA 2FT 2FV 2GS 2GP 2GA 2GT 2HU 2JU 2KU 2LG 2MU 2MF 3ES 3EP 3EV 3FU 3FF 3FS 3FP 3FL 3FD 3FG 3FA 3FT 3FV 3GU 3HU 3JS 3JP 3JA 3JT 3KU 3LU 3LF 3NU 3NF 3NS 3NP 3NL 3ND 3NG 3NA 3NT 3NV 3PU 3PF 4TS 4TP 4UG 4VU 4WU 4XU 4XF 4YS 4YP 54U 54G 55S 55P 56A 56T BDU BDF BDS BDP BDL BDD BDG BDA BDT BDV BEU BEF BES BEP BFA BFT DCU DDU DDF DDS DDP DEU DEA DET CGU CHU CJU CKU CLU)	6952301	*
Power cord (ANZ) (models 31M 37M 2FM 3FM 3NM BDM)	13F9939	*
Power cord (EMEA, ANZ, ASEAN Eng, Korea) (models 23G 25G 31G 31K 34G 37G 37K A3K 17K B2G B8K D3G D4G D8K B1G 4RG 4SG 2EG 2FG 2FK 2LG 3FG 3FK 3NG 3NK 4UG 54G BDG BDK)	13F9978	*
Power cord (EMEA, ANZ, ASEAN Eng, HK Eng) (models 22H 23G 25G 31G 31H 33H 34G 12H 37G 37H 16H B2G B7H D3G D4G D7H B1G 4RG 4SG 2EG 2FG 2FH 2LG 3EH 3FG 3FH 3NG 3NH 4UG 54G BDG BDH)	14F0032	*
Power cord (EMEA) (models 23G 25G 31G 34G 37G B2G D3G D4G B1G 4RG 4SG 2EG 2FG 2LG 3FG 3NG 4UG 54G BDG)	13F9996	*
Power cord (EMEA, LA) (models 21S 21P 21Y 31S 31P 31Y 23G 25G 31G 31L 31D 34G 35S 35P 35Y A1S A1P A1L A1Y A2S A2P A2L A2Y 13S 13P 13L 13Y 27S 27P 27L 27Y 37S 37P 37L 37D 37Y 37G 38S 38P 38L 38Y A4S A4Y A5S 16S 16Y 4MS 4MY 4NS 4NY B2G B9S B9Y D3G D4G D9S D9Y B1G A6S A6P A6Y 2BS 2BP 2BY 3DS 3DP 3DY 4RG 4SG BBS BBP BBY BCS BCP BCY DAS DAP DAY DBS DBP DBY ABS ABP ABY ACS ACP ACY A9S A9P A9Y ADS ADP ADY 1AS 1AP 1AY 2DS 2DP 2DY 2EG 2FS 2FP 2FL 2FD 2FY 2FG 2GS 2GP 2LG 3ES 3EP 3EY 3FS 3FP 3FL 3FD 3FY 3FG 3JS 3JP 3NS 3NP 3NL 3ND 3NY 3NG 4TS 4TP 4TY 4UG 4YS 4YP 4YY 54G 55S 55P 55Y BDS BDP BDL BDD BDY BDG BES BEP DDS DDP)	14F0068	*
Power cord (APU) (models 21Y 31Y 35Y A1Y A2Y 13Y 27Y 37Y 38Y A4Y 16Y 4MY 4NY B9Y D9Y A6Y 2BY 3DY BBY BCY DAY DBY ABY ACY A9Y ADY 1AY 2DY 2FY 3EY 3FY 3NY 4TY 4YY 55Y BDY)	36L8879	*
Power cord (Japan) (models 31J 31E 37E 37J 4HJ B3J B4J D1J D2J)	1838576	*
Power cord (Japan) (models 2FJ 3FJ 3NJ BDJ)	05K2876	*
Power cord (China, HK) (models 22B 22H 31C 31B 31H 33C 33B 33H 12C 12B 12H 37C 37B 37H 16B 16H 4FC 4GC B7B B7H D6C D7B D7H BAC 2DB 2FC 2FB 2FH 3EC 3EB 3EH 3FC 3FB 3FH 3NC 3NB 3NH 4TC 55C BDC BDB BDH)	02K0545	*
Power cord (EMEA) (models 23G 25G 31G 34G 37G B2G D3G D4G B1G 4RG 4SG 2EG 2FG 2LG 3FG 3NG 4UG 54G BDG)	14F0086	*
Power cord (EMEA, ANZ, ASEAN Eng) (models 23G 25G 31G 34G 37G B2G D3G D4G B1G 4RG 4SG 2EG 2FG 2LG 3FG 3NG 4UG 54G BDG)	14F0014	*
Power cord (EMEA) (models 23G 25G 31G 34G 37G B2G D3G D4G B1G 4RG 4SG 2EG 2FG 2LG 3FG 3NG 4UG 54G BDG)	14F0050	*
Power cord (India) (models 24Q 31Q 32Q 12Q 37Q B5Q D5Q 2FQ 2GQ 3FQ 3JQ 3NQ 56Q BDQ BFQ DEQ)	49P2078	*

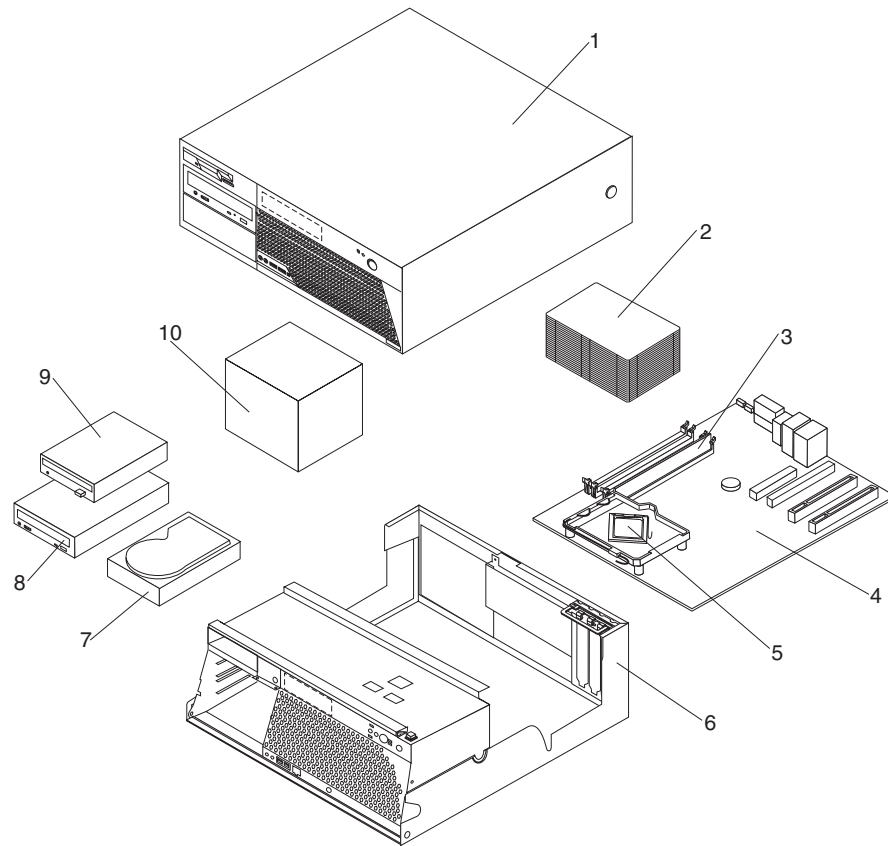
8141 Windows XP Home Recovery CDs	FRU #	CRU
KR (models A3K 17K B8K D8K A3K 17K B8K D8K)	27K6742	*

8141 Windows XP Pro Recovery CDs	FRU #	CRU
US (models 32A 32T 11U 22H 23U 23G 24A 24Q 24T 25G 31U 31G 31L 31M 31A 31Q 31T 31H 32U 32Q 33H 34G CAU CBU 31E A1U A1L A2U A2L 12U 12A 12Q 12T 12H 13L 14U 15U 26U 27L 28U 29U 36U 37U 37L 37G 37M 37A 37Q 37T 37H 37E 38L 39U 3AU A4U 16H 3BU 4JU 4KU 4LU 4MU B5A B5Q B5T B7H B9U D5A D5Q D5T D7H D9U 18U 2AU 3CU 2CU A7U A8U A9U AAU 1BU 1CU 1DU 19U 2EU 2FU 2FL 2FM 2FA 2FQ 2FT 2FH 2GA 2GQ 2GT 2HU 2JU 2KU 2MU 3EH 3FU 3FL 3FM 3FA 3FQ 3FT 3FH 3GU 3HU 3JA 3JQ 3JT 3KU 3LU 3NU 3NL 3NM 3NA 3NQ 3NT 3NH 3PU 4VU 4WU 4XU 54U 56A 56Q 56T BDU BDL BDM BDA BDQ BDT BDH BEU BFA BFQ BFT DCU DDU DEU DEA DEQ DET)	39J6597	*
FR (models 23F 23G 25G 31F 31G 34G 14F 37F 37G 3BF 4JF B2G B9F D3G D4G D9F B1G 18F 2AF 3CF 4RG 4SG A9F 2EF 2EG 2FF 2FG 2LG 2MF 3FF 3FG 3LF 3NF 3NG 3PF 4UG 4XF 54G BDF BDG BEF DDF)	39J6598	*
GR (models 23G 25G 31G 34G 37G B2G D3G D4G B1G 4RG 4SG 2EG 2FG 2LG 3FG 3NG 4UG 54G BDG)	39J6599	*
IT (models 21P 31P 35P A1P A2P 13P 27P 37P 38P B2G D3G D4G B1G 4RG 4SG 2EG 2FG 2LG 3FG 3NG 4UG 54G BDG)	39J6601	*
SP (models 23G 25G 31G 34G 37G A4S A4Y A5S 16S 16Y 4MS 4MY 4NS 4NY B2G B9S B9Y D3G D4G D9S D9Y B1G A6S A6Y 2BS 2BY 3DS 3DY 4RG 4SG BBS BBY BCS BCY DAS DAY DBS DBY ABS ABY ACS ACY A9S A9Y ADS ADY 1AS 1AY 2DS 2DY 2EG 2FS 2FD 2FY 2FG 2GS 2LG 3ES 3EY 3FS 3FD 3FY 3FG 3JS 3NS 3ND 3NY 3NG 4TS 4TY 4UG 4YS 4YY 54G 55S 55Y BDS BDD BDY BDG BES DDS)	39J6600	*
BR (models A6P 2BP 3DP BBP BCP DAP DBP 21P 31P 35P A1P A2P 13P 27P 37P 38P ABP ACP A9P ADP 1AP 2DP 2FP 2GP 3EP 3FP 3JP 3NP 4TP 4YP 55P BDP BEP DDP)	39J6602	*
SV (models 23G 25G 31G 34G 37G B2G D3G D4G B1G 4RG 4SG 2EG 2FG 2LG 3FG 3NG 4UG 54G BDG)	39J6603	*
DK (models 23G 25G 31G 34G 37G B2G D3G D4G B1G 4RG 4SG 2EG 2FG 2LG 3FG 3NG 4UG 54G BDG)	39J6604	*
NL (models 23G 25G 31G 34G 37G B2G D3G D4G B1G 4RG 4SG 2EG 2FG 2LG 3FG 3NG 4UG 54G BDG)	39J6607	*
HE (models 23G 25G 31G 34G 37G B2G D3G D4G B1G 4RG 4SG 2EG 2FG 2LG 3FG 3NG 4UG 54G BDG)	39J6608	*
FI (models 23G 25G 31G 34G 37G B2G D3G D4G B1G 4RG 4SG 2EG 2FG 2LG 3FG 3NG 4UG 54G BDG)	39J6605	*
NO (models 23G 25G 31G 34G 37G B2G D3G D4G B1G 4RG 4SG 2EG 2FG 2LG 3FG 3NG 4UG 54G BDG)	39J6606	*
PL (models 23G 25G 31G 34G 37G B2G D3G D4G B1G 4RG 4SG 2EG 2FG 2LG 3FG 3NG 4UG 54G BDG)	39J6609	*
AE (models 23G 25G 31G 34G 37G B2G D3G D4G B1G 4RG 4SG 2EG 2FG 2LG 3FG 3NG 4UG 54G BDG)	39J6611	*
PO (models 23G 25G 31G 34G 37G B2G D3G D4G B1G 4RG 4SG 2EG 2FG 2LG 3FG 3NG 4UG 54G BDG)	39J6615	*
RU (models 23G 25G 31G 34G 37G B2G D3G D4G B1G 4RG 4SG 2EG 2FG 2LG 3FG 3NG 4UG 54G BDG)	41D1198	*
HU (models 23G 25G 31G 34G 37G B2G D3G D4G B1G 4RG 4SG 2EG 2FG 2LG 3FG 3NG 4UG 54G BDG)	39J6614	*
CZ (models 23G 25G 31G 34G 37G B2G D3G D4G B1G 4RG 4SG 2EG 2FG 2LG 3FG 3NG 4UG 54G BDG)	39J6610	*

8141 Windows XP Pro Recovery CDs	FRU #	CRU
TR (models 23G 25G 31G 34G 37G B2G D3G D4G B1G 4RG 4SG 2EG 2FG 2LG 3FG 3NG 4UG 54G BDG)	39J6602	*
GK (models 23G 25G 31G 34G 37G B2G D3G D4G B1G 4RG 4SG 2EG 2FG 2LG 3FG 3NG 4UG 54G BDG)	39J6616	*
SL (models 23G 25G 31G 34G 37G B2G D3G D4G B1G 4RG 4SG 2EG 2FG 2LG 3FG 3NG 4UG 54G BDG)	39J6617	*
JP (models 31J 37J 4HJ B3J B4J D1J D2J 2FJ 3FJ 3NJ BDJ)	30R4762	*
JP (models 31J 37J 4HJ B3J B4J D1J D2J)	27K6814	*
CS (models 31C 33C 12C 37C 4FC 4GC D6C BAC 2FC 3EC 3FC 3NC 4TC 55C BDC)	30R4741	*
CS (models 31C 33C 12C 37C 4FC 4GC D6C BAC)	27K6790	*
TW (models 31V 33V 12V 37V B6V D7V 2FV 3EV 3FV 3NV BDV)	30R4748	*
TW (models 31V 33V 12V 37V B6V D7V)	27K6798	*
HK (models 22B 31B 33B 12B 37B 16B B7B D7B 2DB 2FB 3EB 3FB 3NB BDB)	30R4755	*
HK (models 22B 31B 33B 12B 37B 16B B7B D7B)	27K6806	*
KR (models 31K 37K 2FK 3FK 3NK BDK)	30R4734	*
KR (models 31K 37K)	27K6782	*
Multilingual 1 (models 23G 25G 31G 34G 37G B2G D3G D4G B1G 4RG 4SG 2EG 2FG 2LG 3FG 3NG 4UG 54G BDG)	39J6215	*
Multilingual 2 (models 23G 25G 31G 34G 37G B2G D3G D4G B1G 4RG 4SG 2EG 2FG 2LG 3FG 3NG 4UG 54G BDG)	39J6216	*



# Machine Type 8142



Item #	8142 FRUs	FRU#	CRU
1	Top Cover Asm (all models)	89P6730	*
2	Heat sink (models CTO 31U 31F 31S 31P 31L 31D 31Y 31G 31M 31A 31Q 31T 31C 31B 31H 31V 31K 31E 31J 32M 33M 3AM 37U 37F 37S 37P 37L 37D 37Y 37G 37M 37A 37Q 37T 37C 37B 37H 37V 37K 37E 37J B1M 38U 38F 38S 38P 38D 38Y 38G 38M 38A 38Q 38T 38C 38B 38H 38V 38K 38R 38E 38J)	89P6729	**
3	256MB PC2 3200 Memory (DDR1) (models CTO 31U 31F 31S 31P 31L 31D 31Y 31G 31M 31A 31Q 31T 31C 31B 31H 31V 31K 31E 31J 32M 33M 3AM 37U 37F 37S 37P 37L 37D 37Y 37G 37M 37A 37Q 37T 37C 37B 37H 37V 37K 37E 37J)	73P2683	*
3	512MB PC2 3200 Memory (DDR1) (models CTO)	73P2684	*
3	256MB PC2 3200 Memory (400mhz DDR2) (models CTO 38U 38F 38S 38P 38D 38Y 38G 38M 38A 38Q 38T 38C 38B 38H 38V 38K 38R 38E 38J 2FU 2FF 2FS 2FP 2FL 2FD 2FY 2FG 2FM 2FA 2FQ 2FT 2FC 2FB 2FH 2FV 2FK 2FJ 2GA 2GQ 2GT 3FU 3FF 3FS 3FP 3FL 3FD 3FY 3FG 3FM 3FA 3FQ 3FT 3FC 3FB 3FH 3FV 3FK 3FJ 3GA 3GQ 3GT 3NU 3NF 3NS 3NP 3NL 3ND 3NY 3NG 3NM 3NA 3NQ 3NT 3NC 3NB 3NH 3NV 3NK 3NJ BDU BDF BDS BDP BDL BDD BDY BDG BDM BDA BDQ BDT BDC BDB BDH BDV BDK BDJ)	73P3220	*
3	512MB PC2 3200 Memory (400mhz DDR2) (models CTO B1M D1M D2M D3M D4M E1A E1Q E1T)	73P3222	*
3	1024MB PC2 3200 Memory (400mhz DDR2) (models CTO)	73P3224	*

Item #	8142 FRUs	FRU#	CRU
4	System board 10/1000 w/ POV (models CTO 31U 31F 31S 31P 31L 31D 31Y 31G 31M 31A 31Q 31T 31C 31B 31H 31V 31K 31E 31J 32M 33M 3AM 37U 37F 37S 37P 37L 37D 37Y 37G 37M 37A 37Q 37T 37C 37B 37H 37V 37K 37E 37J B1M 38U 38F 38S 38P 38D 38Y 38G 38M 38A 38Q 38T 38C 38B 38H 38V 38K 38R 38E 38J 2FU 2FF 2FS 2FP 2FL 2FD 2FY 2FG 2FM 2FA 2FQ 2FT 2FC 2FB 2FH 2FV 2FK 2FJ 2GA 2GQ 2GT 3FU 3FF 3FS 3FP 3FL 3FD 3FY 3FG 3FM 3FA 3FQ 3FT 3FC 3FB 3FH 3FV 3FK 3FJ 3GA 3GQ 3GT 3NU 3NF 3NS 3NP 3NL 3ND 3NY 3NG 3NM 3NA 3NQ 3NT 3NC 3NB 3NH 3NV 3NK 3NJ D1M D2M D3M D4M BDU BDF BDS BDP BDL BDD BDY BDG BDM BDA BDQ BDT BDC BDB BDH BDV BDK BDJ E1A E1Q E1T)	41X2839	**
5	2.53 GHZ Celeron Prescott P4 (models CTO)	29R7215	**
5	2.66 GHZ Celeron Prescott P4 (models CTO)	29R7217	**
5	2.8 GHZ Celeron Prescott P4 (models CTO)	29R7219	**
5	2.93 GHZ Celeron Prescott P4 (models CTO)	29R7221	**
5	3.06GHZ Celeron Prescott P4 (models CTO)	29R8208	**
5	2.53GHZ Celeron Prescott P4 326 (models CTO)	39J9397	**
5	2.66 GHZ Celeron Prescott P4 331 (models CTO)	39J9399	**
5	2.8 GHZ Celeron Prescott P4 336 (models CTO)	39J9401	**
5	2.93 GHZ Celeron Prescott P4 341 (models CTO)	39J9403	**
5	3.06 GHZ Celeron Prescott P4 346 (models CTO)	39J9405	**
5	3.2 GHZ Celeron Prescott P4 351 (models CTO)	41D0533	**
5	2.66 GHZ Prescott P4 (models CTO)	29R7223	**
5	2.93GHZ Prescott P4 (models CTO)	29R7225	**
5	2.66GHZ Celeron Prescott P4 346 (models CTO)	41D0676	**
5	2.93GHZ Celeron Prescott P4 351 (models CTO)	41D0677	**
5	3.06GHZ Celeron Prescott P4 (models CTO)	41D0678	**
5	2.8 GHZ Prescott P4 (models CTO)	19R0495	**
5	2.8GHZ Prescott P4 (models 11U CTO)	19R0495	**
5	3.0GHZ Prescott P4 (models 32M 3AM CTO 38U 38F 38S 38P 38D 38Y 38G 38M 38A 38Q 38T 38C 38B 38H 38V 38K 38R 38E 38J)	19R0496	**
5	3.2GHZ Prescott P4 (models 31U 31F 31S 31P 31L 31D 31Y 31G 31M 31A 31Q 31T 31C 31B 31H 31V 31K 31E 31J 33M CTO 37U 37F 37S 37P 37L 37D 37Y 37G 37M 37A 37Q 37T 37C 37B 37H 37V 37K 37E 37J B1M)	19R0497	**
5	3.4GHZ Prescott P4 (models CTO)	19R0498	**
5	3.4GHZ Prescott P4 (low-power) (models CTO)	19R3011	**
5	3.6GHZ Prescott P4 (models CTO)	19R0499	**
5	3.8GHZ Prescott P4 (models CTO)	29R8211	**
5	2.8GHZ Prescott P4 (models CTO)	39J9407	**
5	3.0GHZ Prescott P4 531 (models CTO 2FU 2FF 2FS 2FP 2FL 2FD 2FY 2FG 2FM 2FA 2FQ 2FT 2FC 2FB 2FH 2FV 2FK 2FJ 2GA 2GQ 2GT 3FU 3FF 3FS 3FP 3FL)	39J9409	**
5	3.2GHZ Prescott P4 541 (models CTO 3FU 3FF 3FS 3FP 3FL 3FD 3FY 3FG 3FM 3FA 3FQ 3FT 3FC 3FB 3FH 3FV 3FK 3FJ 3GA 3GQ 3GT 3NU 3NF 3NS 3NP 3NL 3ND 3NY 3NG 3NM 3NA 3NQ 3NT 3NC 3NB 3NH 3NV 3NK 3NJ)	39J9411	**
5	3.4GHZ Prescott P4 551 (models CTO)	39J9413	**
5	3.6GHZ Prescott P4 561 (models CTO)	41D0535	**

Item #	8142 FRUs	FRU#	CRU
5	3.8GHZ Prescott P4 571 (models CTO)	41D0537	**
5	3.0GHZ Prescott P4 (models CTO D1M D2M D3M D4M BDU BDF BDS BDP BDL BDD BDY BDG BDM BDA BDQ BDT BDC BDB BDH BDV BDK BDJ)	39J6589	**
5	3.2GHZ Prescott P4 (models CTO E1A E1Q E1T)	39J6591	**
5	3.4GHZ Prescott P4 (models CTO)	39J6593	**
5	3.6GHZ Prescott P4 (models CTO)	39J6595	**
5	3.8GHZ Prescott P4 670 (models CTO)	41D0539	**
6	Chassis and top cover kit (all models)	89P6732	**
7	HDD 40GB 7200 rpm Serial ATA (models CTO 31U 31F 31S 31P 31L 31D 31Y 31G 31M 31A 31Q 31T 31C 31B 31H 31V 31K 31E 31J 32M 33M 38U 38F 38S 38P 38D 38Y 38G 38M 38A 38Q 38T 38C 38B 38H 38V 38K 38R 38E 38J 2FU 2FF 2FS 2FP 2FL 2FD 2FY 2FG 2FM 2FA 2FQ 2FT 2FC 2FB 2FH 2FV 2FK 2FJ 3FU 3FF 3FS 3FP 3FL 3FD 3FY 3FG 3FM 3FA 3FQ 3FT 3FC 3FB 3FH 3FV 3FK 3FJ D1M BDU BDF BDS BDP BDL BDD BDY BDG BDM BDA BDQ BDT BDC BDB BDH BDV BDK BDJ)	71P7312	*
7	HDD 40GB 7200 rpm Serial ATA (models CTO 31U 31F 31S 31P 31L 31D 31Y 31G 31M 31A 31Q 31T 31C 31B 31H 31V 31K 31E 31J 32M 33M 38U 38F 38S 38P 38D 38Y 38G 38M 38A 38Q 38T 38C 38B 38H 38V 38K 38R 38E 38J)	40Y8760	*
7	HDD 40GB 7200 rpm Serial ATA (models CTO 31U 31F 31S 31P 31L 31D 31Y 31G 31M 31A 31Q 31T 31C 31B 31H 31V 31K 31E 31J 32M 33M 38U 38F 38S 38P 38D 38Y 38G 38M 38A 38Q 38T 38C 38B 38H 38V 38K 38R 38E 38J)	40Y9033	*
7	HDD 80GB 7200 rpm Serial ATA (models 3AM 37U 37F 37S 37P 37L 37D 37Y 37G 37M 37A 37Q 37T 37C 37B 37H 37V 37K 37E 37J B1M CTO 2GA 2GQ 2GT 3GA 3GQ 3GT 3NU 3NF 3NS 3NP 3NL 3ND 3NY 3NG 3NM 3NA 3NQ 3NT 3NC 3NB 3NH 3NV 3NK 3NJ D2M D3M E1A E1Q E1T)	71P7293	*
7	HDD 80GB 7200 rpm Serial ATA (models 3AM 37U 37F 37S 37P 37L 37D 37Y 37G 37M 37A 37Q 37T 37C 37B 37H 37V 37K 37E 37J B1M CTO)	40Y8761	*
7	HDD 80GB 7200 rpm Serial ATA (models 3AM 37U 37F 37S 37P 37L 37D 37Y 37G 37M 37A 37Q 37T 37C 37B 37H 37V 37K 37E 37J B1M CTO)	40Y9034	*
7	HDD 160GB 7200 rpm Serial ATA (models CTO D4U)	71P7297	*
7	HDD 160GB 7200 rpm Serial ATA (models CTO D4U)	40Y8762	*
7	HDD 160GB 7200 rpm Serial ATA (models CTO D4U)	40Y9035	*
8	CD-ROM Drive 48X - Black w/o jack & vol (models CTO 31U 31F 31S 31P 31L 31D 31Y 31G 31M 31A 31Q 31T 31C 31B 31H 31V 31K 31E 31J 32M 33M 2GA 2GQ 2GT 3FU 3FF 3FS 3FP 3FL 3FD 3FY 3FG 3FM 3FA 3FQ 3FT 3FC 3FB 3FH 3FV 3FK 3FJ 3GA 3GQ 3GT D1M BDU BDF BDS BDP BDL BDD BDY BDG BDM BDA BDQ BDT BDC BDB BDH BDV BDK BDJ)	71P7371	*
8	CD-ROM Drive 48X - Black w/o jack & vol (models CTO 31U 31F 31S 31P 31L 31D 31Y 31G 31M 31A 31Q 31T 31C 31B 31H 31V 31K 31E 31J 32M 33M 2GA 2GQ 2GT 3FU 3FF 3FS 3FP 3FL 3FD 3FY 3FG 3FM 3FA 3FQ 3FT 3FC 3FB 3FH 3FV 3FK 3FJ 3GA 3GQ 3GT D1M BDU BDF BDS BDP BDL BDD BDY BDG BDM BDA BDQ BDT BDC BDB BDH BDV BDK BDJ)	71P7375	*
8	CD-ROM Drive 48X - Black w/o jack & vol (models CTO 31U 31F 31S 31P 31L 31D 31Y 31G 31M 31A 31Q 31T 31C 31B 31H 31V 31K 31E 31J 32M 33M 2GA 2GQ 2GT 3FU 3FF 3FS 3FP 3FL 3FD 3FY 3FG 3FM 3FA 3FQ 3FT 3FC 3FB 3FH 3FV 3FK 3FJ 3GA 3GQ 3GT D1M BDU BDF BDS BDP BDL BDD BDY BDG BDM BDA BDQ BDT BDC BDB BDH BDV BDK BDJ)	71P7377	*

Item #	8142 FRUs	FRU#	CRU
8	CD-ROM Drive 48X - Black w/o jack & vol (models CTO 31U 31F 31S 31P 31L 31D 31Y 31G 31M 31A 31Q 31T 31C 31B 31H 31V 31K 31E 31J 32M 33M 2GA 2GQ 2GT 3FU 3FF 3FS 3FP 3FL 3FD 3FY 3FG 3FM 3FA 3FQ 3FT 3FC 3FB 3FH 3FV 3FK 3FJ 3GA 3GQ 3GT D1M BDU BDF BDS BDP BDL BDD BDY BDG BDM BDA BDQ BDT BDC BDB BDH BDV BDK BDJ)	71P7385	*
8	CD-ROM Drive 48X - Black w/o jack & vol (models CTO 31U 31F 31S 31P 31L 31D 31Y 31G 31M 31A 31Q 31T 31C 31B 31H 31V 31K 31E 31J 32M 33M 2GA 2GQ 2GT 3FU 3FF 3FS 3FP 3FL 3FD 3FY 3FG 3FM 3FA 3FQ 3FT 3FC 3FB 3FH 3FV 3FK 3FJ 3GA 3GQ 3GT D1M BDU BDF BDS BDP BDL BDD BDY BDG BDM BDA BDQ BDT BDC BDB BDH BDV BDK BDJ)	39M3511	*
8	CD-ROM Drive 48X - Black w/o jack & vol (models CTO 31U 31F 31S 31P 31L 31D 31Y 31G 31M 31A 31Q 31T 31C 31B 31H 31V 31K 31E 31J 32M 33M 2GA 2GQ 2GT 3FU 3FF 3FS 3FP 3FL 3FD 3FY 3FG 3FM 3FA 3FQ 3FT 3FC 3FB 3FH 3FV 3FK 3FJ 3GA 3GQ 3GT D1M BDU BDF BDS BDP BDL BDD BDY BDG BDM BDA BDQ BDT BDC BDB BDH BDV BDK BDJ)	26K5445	*
8	CD-ROM Drive 48X - Black w/o jack & vol (models CTO 31U 31F 31S 31P 31L 31D 31Y 31G 31M 31A 31Q 31T 31C 31B 31H 31V 31K 31E 31J 32M 33M 2GA 2GQ 2GT 3FU 3FF 3FS 3FP 3FL 3FD 3FY 3FG 3FM 3FA 3FQ 3FT 3FC 3FB 3FH 3FV 3FK 3FJ 3GA 3GQ 3GT D1M BDU BDF BDS BDP BDL BDD BDY BDG BDM BDA BDQ BDT BDC BDB BDH BDV BDK BDJ)	40Y8807	*
8	DVD-ROM 16X/48X - Black (models CTO 37U 37F 37S 37P 37L 37D 37Y 37G 37M 37A 37Q 37T 37C 37B 37H 37V 37K 37E 37J 38U 38F 38S 38P 38D 38Y 38G 38M 38A 38Q 38T 38C 38B 38H 38V 38K 38R 38E 38J 2FU 2FF 2FS 2FP 2FL 2FD 2FY 2FG 2FM 2FA 2FQ 2FT 2FC 2FB 2FH 2FV 2FK 2FJ 3NU 3NF 3NS 3NP 3NL 3ND 3NY 3NG 3NM 3NA 3NQ 3NT 3NC 3NB 3NH 3NV 3NK 3NJ)	33P3237	*
8	DVD-ROM 16X/48X - Black (models CTO 37U 37F 37S 37P 37L 37D 37Y 37G 37M 37A 37Q 37T 37C 37B 37H 37V 37K 37E 37J 38U 38F 38S 38P 38D 38Y 38G 38M 38A 38Q 38T 38C 38B 38H 38V 38K 38R 38E 38J 2FU 2FF 2FS 2FP 2FL 2FD 2FY 2FG 2FM 2FA 2FQ 2FT 2FC 2FB 2FH 2FV 2FK 2FJ 3NU 3NF 3NS 3NP 3NL 3ND 3NY 3NG 3NM 3NA 3NQ 3NT 3NC 3NB 3NH 3NV 3NK 3NJ)	71P7357	*
8	DVD-ROM 16X/48X - Black (models CTO 37U 37F 37S 37P 37L 37D 37Y 37G 37M 37A 37Q 37T 37C 37B 37H 37V 37K 37E 37J 38U 38F 38S 38P 38D 38Y 38G 38M 38A 38Q 38T 38C 38B 38H 38V 38K 38R 38E 38J 2FU 2FF 2FS 2FP 2FL 2FD 2FY 2FG 2FM 2FA 2FQ 2FT 2FC 2FB 2FH 2FV 2FK 2FJ 3NU 3NF 3NS 3NP 3NL 3ND 3NY 3NG 3NM 3NA 3NQ 3NT 3NC 3NB 3NH 3NV 3NK 3NJ)	26K5385	*
8	DVD-ROM 16X/48X - Black (models CTO 37U 37F 37S 37P 37L 37D 37Y 37G 37M 37A 37Q 37T 37C 37B 37H 37V 37K 37E 37J 38U 38F 38S 38P 38D 38Y 38G 38M 38A 38Q 38T 38C 38B 38H 38V 38K 38R 38E 38J 2FU 2FF 2FS 2FP 2FL 2FD 2FY 2FG 2FM 2FA 2FQ 2FT 2FC 2FB 2FH 2FV 2FK 2FJ 3NU 3NF 3NS 3NP 3NL 3ND 3NY 3NG 3NM 3NA 3NQ 3NT 3NC 3NB 3NH 3NV 3NK 3NJ)	26K5435	*
8	DVD-ROM 16X/48X - Black (models CTO 37U 37F 37S 37P 37L 37D 37Y 37G 37M 37A 37Q 37T 37C 37B 37H 37V 37K 37E 37J 38U 38F 38S 38P 38D 38Y 38G 38M 38A 38Q 38T 38C 38B 38H 38V 38K 38R 38E 38J 2FU 2FF 2FS 2FP 2FL 2FD 2FY 2FG 2FM 2FA 2FQ 2FT 2FC 2FB 2FH 2FV 2FK 2FJ 3NU 3NF 3NS 3NP 3NL 3ND 3NY 3NG 3NM 3NA 3NQ 3NT 3NC 3NB 3NH 3NV 3NK 3NJ)	39M3513	*
8	DVD-ROM 16X/48X - Black (models CTO 37U 37F 37S 37P 37L 37D 37Y 37G 37M 37A 37Q 37T 37C 37B 37H 37V 37K 37E 37J 38U 38F 38S 38P 38D 38Y 38G 38M 38A 38Q 38T 38C 38B 38H 38V 38K 38R 38E 38J 2FU 2FF 2FS 2FP 2FL 2FD 2FY 2FG 2FM 2FA 2FQ 2FT 2FC 2FB 2FH 2FV 2FK 2FJ 3NU 3NF 3NS 3NP 3NL 3ND 3NY 3NG 3NM 3NA 3NQ 3NT 3NC 3NB 3NH 3NV 3NK 3NJ)	39M3515	*

Item #	8142 FRUs	FRU#	CRU
8	DVD-ROM 16X/48X - Black (models CTO 37U 37F 37S 37P 37L 37D 37Y 37G 37M 37A 37Q 37T 37C 37B 37H 37V 37K 37E 37J 38U 38F 38S 38P 38D 38Y 38G 38M 38A 38Q 38T 38C 38B 38H 38V 38K 38R 38E 38J 2FU 2FF 2FS 2FP 2FL 2FD 2FY 2FG 2FM 2FA 2FQ 2FT 2FC 2FB 2FH 2FV 2FK 2FJ 3NU 3NF 3NS 3NP 3NL 3ND 3NY 3NG 3NM 3NA 3NQ 3NT 3NC 3NB 3NH 3NV 3NK 3NJ)	39M3517	*
8	DVD-ROM 16X/48X - Black (models CTO 37U 37F 37S 37P 37L 37D 37Y 37G 37M 37A 37Q 37T 37C 37B 37H 37V 37K 37E 37J 38U 38F 38S 38P 38D 38Y 38G 38M 38A 38Q 38T 38C 38B 38H 38V 38K 38R 38E 38J 2FU 2FF 2FS 2FP 2FL 2FD 2FY 2FG 2FM 2FA 2FQ 2FT 2FC 2FB 2FH 2FV 2FK 2FJ 3NU 3NF 3NS 3NP 3NL 3ND 3NY 3NG 3NM 3NA 3NQ 3NT 3NC 3NB 3NH 3NV 3NK 3NJ)	40Y8803	*
8	DVD-ROM 16X/48X - Black (models CTO 37U 37F 37S 37P 37L 37D 37Y 37G 37M 37A 37Q 37T 37C 37B 37H 37V 37K 37E 37J 38U 38F 38S 38P 38D 38Y 38G 38M 38A 38Q 38T 38C 38B 38H 38V 38K 38R 38E 38J 2FU 2FF 2FS 2FP 2FL 2FD 2FY 2FG 2FM 2FA 2FQ 2FT 2FC 2FB 2FH 2FV 2FK 2FJ 3NU 3NF 3NS 3NP 3NL 3ND 3NY 3NG 3NM 3NA 3NQ 3NT 3NC 3NB 3NH 3NV 3NK 3NJ)	40Y8811	*
8	DVD-ROM 16X/48X - Black (models CTO 37U 37F 37S 37P 37L 37D 37Y 37G 37M 37A 37Q 37T 37C 37B 37H 37V 37K 37E 37J 38U 38F 38S 38P 38D 38Y 38G 38M 38A 38Q 38T 38C 38B 38H 38V 38K 38R 38E 38J 2FU 2FF 2FS 2FP 2FL 2FD 2FY 2FG 2FM 2FA 2FQ 2FT 2FC 2FB 2FH 2FV 2FK 2FJ 3NU 3NF 3NS 3NP 3NL 3ND 3NY 3NG 3NM 3NA 3NQ 3NT 3NC 3NB 3NH 3NV 3NK 3NJ)	40Y8935	*
8	CD-RW Drive (48X/32X/48X) (models CTO)	71P7347	*
8	CD-RW Drive (48X/32X/48X) (models CTO)	71P7349	*
8	CD-RW Drive (48X/32X/48X) (models CTO)	26K5401	*
8	CD-RW Drive (48X/32X/48X) (models CTO)	40Y8901	*
8	CD-RW Drive (48X/32X/48X) (models CTO)	40Y8937	*
8	Universal Combo Drive (48x/24x/48x/16x) (models CTO 3AM B1M D2U E1A E1Q E1T)	26K5390	*
8	DVD-ROM/CD-RW Combo Drive (48x/32x/48x/16x) (models CTO 3AM B1M D2U E1A E1Q E1T)	26K5379	*
8	DVD-ROM/CD-RW Combo Drive (48x/32x/48x/16x) (models CTO 3AM B1M D2U E1A E1Q E1T)	26K5381	*
8	DVD-ROM/CD-RW Combo Drive (48x/32x/48x/16x) (models CTO 3AM B1M D2U E1A E1Q E1T)	26K5429	*
8	DVD-ROM/CD-RW Combo Drive (48x/32x/48x/16x) (models CTO 3AM B1M D2U E1A E1Q E1T)	39M3539	*
8	DVD-ROM/CD-RW Combo Drive (48x/32x/48x/16x) (models CTO 3AM B1M D2U E1A E1Q E1T)	40Y8781	*
8	DVD-ROM/CD-RW Combo Drive (48x/32x/48x/16x) (models CTO 3AM B1M D2U E1A E1Q E1T)	40Y8903	*
8	DVD-ROM/CD-RW Combo Drive (48x/32x/48x/16x) (models CTO 3AM B1M D2U E1A E1Q E1T)	40Y8919	*
8	Universal Rambo drive (Black) (models CTO)	26K5377	*
8	Multi-Burner Plus (Rambo IV) (models CTO)	26K5383	*
8	Multi-Burner Plus (Rambo VI) (models CTO D3M D4M)	26K5441	*
8	Multi-Burner Plus (Rambo VI) (models CTO D3M D4M)	39M3519	*
8	Multi-Burner Plus (Rambo VI) (models CTO D3M D4M)	40Y8799	*
8	Multi-Burner Plus (Rambo VI) (models CTO D3M D4M)	40Y8909	*

Item #	8142 FRUs	FRU#	CRU
9	3.5" 1.44MB 2MODE diskette drive (models CTO 31U 31F 31S 31P 31L 31D 31Y 31G 31M 31A 31Q 31T 31C 31B 31H 31V 31K 31E 31J 32M 33M 3AM 37U 37F 37S 37P 37L 37D 37Y 37G 37M 37A 37Q 37T 37C 37B 37H 37V 37K 37E 37J B1M 38U 38F 38S 38P 38D 38Y 38G 38M 38A 38Q 38T 38C 38B 38H 38V 38K 38R 38E 38J 2FU 2FF 2FS 2FP 2FL 2FD 2FY 2FG 2FM 2FA 2FQ 2FT 2FC 2FB 2FH 2FV 2FK 2FJ 2GA 2GQ 2GT 3FU 3FF 3FS 3FP 3FL 3FD 3FY 3FG 3FM 3FA 3FQ 3FT 3FC 3FB 3FH 3FV 3FK 3FJ 3GA 3GQ 3GT 3NU 3NF 3NS 3NP 3NL 3ND 3NY 3NG 3NM 3NA 3NQ 3NT 3NC 3NB 3NH 3NV 3NK 3NJ D1M D2M D3M D4M BDU BDF BDS BDP BDL BDD BDY BDG BDM BDA BDQ BDT BDC BDB BDH BDV BDK BDJ E1A E1Q E1T)	76H4091	*
9	3.5" 1.44MB 2MODE diskette drive (models CTO 31U 31F 31S 31P 31L 31D 31Y 31G 31M 31A 31Q 31T 31C 31B 31H 31V 31K 31E 31J 32M 33M 3AM 37U 37F 37S 37P 37L 37D 37Y 37G 37M 37A 37Q 37T 37C 37B 37H 37V 37K 37E 37J B1M 38U 38F 38S 38P 38D 38Y 38G 38M 38A 38Q 38T 38C 38B 38H 38V 38K 38R 38E 38J 2FU 2FF 2FS 2FP 2FL 2FD 2FY 2FG 2FM 2FA 2FQ 2FT 2FC 2FB 2FH 2FV 2FK 2FJ 2GA 2GQ 2GT 3FU 3FF 3FS 3FP 3FL 3FD 3FY 3FG 3FM 3FA 3FQ 3FT 3FC 3FB 3FH 3FV 3FK 3FJ 3GA 3GQ 3GT 3NU 3NF 3NS 3NP 3NL 3ND 3NY 3NG 3NM 3NA 3NQ 3NT 3NC 3NB 3NH 3NV 3NK 3NJ D1M D2M D3M D4M BDU BDF BDS BDP BDL BDD BDY BDG BDM BDA BDQ BDT BDC BDB BDH BDV BDK BDJ E1A E1Q E1T)	40Y9107	*
9	3.5" 1.44MB 2MODE diskette drive (models CTO 31U 31F 31S 31P 31L 31D 31Y 31G 31M 31A 31Q 31T 31C 31B 31H 31V 31K 31E 31J 32M 33M 3AM 37U 37F 37S 37P 37L 37D 37Y 37G 37M 37A 37Q 37T 37C 37B 37H 37V 37K 37E 37J B1M 38U 38F 38S 38P 38D 38Y 38G 38M 38A 38Q 38T 38C 38B 38H 38V 38K 38R 38E 38J 2FU 2FF 2FS 2FP 2FL 2FD 2FY 2FG 2FM 2FA 2FQ 2FT 2FC 2FB 2FH 2FV 2FK 2FJ 2GA 2GQ 2GT 3FU 3FF 3FS 3FP 3FL 3FD 3FY 3FG 3FM 3FA 3FQ 3FT 3FC 3FB 3FH 3FV 3FK 3FJ 3GA 3GQ 3GT 3NU 3NF 3NS 3NP 3NL 3ND 3NY 3NG 3NM 3NA 3NQ 3NT 3NC 3NB 3NH 3NV 3NK 3NJ D1M D2M D3M D4M BDU BDF BDS BDP BDL BDD BDY BDG BDM BDA BDQ BDT BDC BDB BDH BDV BDK BDJ E1A E1Q E1T)	24P3889	*
9	3.5" 1.44MB 2MODE diskette drive (models CTO 31U 31F 31S 31P 31L 31D 31Y 31G 31M 31A 31Q 31T 31C 31B 31H 31V 31K 31E 31J 32M 33M 3AM 37U 37F 37S 37P 37L 37D 37Y 37G 37M 37A 37Q 37T 37C 37B 37H 37V 37K 37E 37J B1M 38U 38F 38S 38P 38D 38Y 38G 38M 38A 38Q 38T 38C 38B 38H 38V 38K 38R 38E 38J 2FU 2FF 2FS 2FP 2FL 2FD 2FY 2FG 2FM 2FA 2FQ 2FT 2FC 2FB 2FH 2FV 2FK 2FJ 2GA 2GQ 2GT 3FU 3FF 3FS 3FP 3FL 3FD 3FY 3FG 3FM 3FA 3FQ 3FT 3FC 3FB 3FH 3FV 3FK 3FJ 3GA 3GQ 3GT 3NU 3NF 3NS 3NP 3NL 3ND 3NY 3NG 3NM 3NA 3NQ 3NT 3NC 3NB 3NH 3NV 3NK 3NJ D1M D2M D3M D4M BDU BDF BDS BDP BDL BDD BDY BDG BDM BDA BDQ BDT BDC BDB BDH BDV BDK BDJ E1A E1Q E1T)	40Y9105	*
9	3.5" 1.44MB 2MODE diskette drive (models CTO 31U 31F 31S 31P 31L 31D 31Y 31G 31M 31A 31Q 31T 31C 31B 31H 31V 31K 31E 31J 32M 33M 3AM 37U 37F 37S 37P 37L 37D 37Y 37G 37M 37A 37Q 37T 37C 37B 37H 37V 37K 37E 37J B1M 38U 38F 38S 38P 38D 38Y 38G 38M 38A 38Q 38T 38C 38B 38H 38V 38K 38R 38E 38J 2FU 2FF 2FS 2FP 2FL 2FD 2FY 2FG 2FM 2FA 2FQ 2FT 2FC 2FB 2FH 2FV 2FK 2FJ 2GA 2GQ 2GT 3FU 3FF 3FS 3FP 3FL 3FD 3FY 3FG 3FM 3FA 3FQ 3FT 3FC 3FB 3FH 3FV 3FK 3FJ 3GA 3GQ 3GT 3NU 3NF 3NS 3NP 3NL 3ND 3NY 3NG 3NM 3NA 3NQ 3NT 3NC 3NB 3NH 3NV 3NK 3NJ D1M D2M D3M D4M BDU BDF BDS BDP BDL BDD BDY BDG BDM BDA BDQ BDT BDC BDB BDH BDV BDK BDJ E1A E1Q E1T)	39M0101	*

Item #	8142 FRUs	FRU#	CRU
9	3.5" 1.44MB 2MODE diskette drive (models CTO 31U 31F 31S 31P 31L 31D 31Y 31G 31M 31A 31Q 31T 31C 31B 31H 31V 31K 31E 31J 32M 33M 3AM 37U 37F 37S 37P 37L 37D 37Y 37G 37M 37A 37Q 37T 37C 37B 37H 37V 37K 37E 37J B1M 38U 38F 38S 38P 38D 38Y 38G 38M 38A 38Q 38T 38C 38B 38H 38V 38K 38R 38E 38J 2FU 2FF 2FS 2FP 2FL 2FD 2FY 2FG 2FM 2FA 2FQ 2FT 2FC 2FB 2FH 2FV 2FK 2FJ 2GA 2GQ 2GT 3FU 3FF 3FS 3FP 3FL 3FD 3FY 3FG 3FM 3FA 3FQ 3FT 3FC 3FB 3FH 3FV 3FK 3FJ 3GA 3GQ 3GT 3NU 3NF 3NS 3NP 3NL 3ND 3NY 3NG 3NM 3NA 3NQ 3NT 3NC 3NB 3NH 3NV 3NK 3NJ D1M D2M D3M D4M BDU BDF BDS BDP BDL BDD BDY BDG BDM BDA BDQ BDT BDC BDB BDH BDV BDK BDJ E1A E1Q E1T)	40Y9113	*
10	Power Supply 310 Watt (models CTO 31U 31F 31G 31M 31A 31T 31K 31E 31J 32M 33M 3AM 37U 37F 37G 37M 37A 37T 37K 37E 37J B1M 38U 38F 38G 38M 38A 38T 38K 38R 38E 38J 2FU 2FF 2FG 2FM 2FA 2FT 2FK 2FJ 2GA 2GT 3FU 3FF 3FG 3FM 3FA 3FT 3FK 3FJ 3GA 3GT 3NU 3NF 3NG 3NM 3NA 3NT 3NK 3NJ D1M D2M D3M D4M BDU BDF BDG BDM BDA BDT BDK BDJ E1A E1T)	24R2574	**
10	Power Supply 310 Watt (China) (models 31S 31P 31L 31D 31Y 31Q 31C 31B 31H 31V 37S 37P 37L 37D 37Y 37Q 37C 37B 37H 37V 38S 38P 38D 38Y 38Q 38C 38B 38H 38V CTO-A CTO-L 2FS 2FP 2FL 2FD 2FY 2FQ 2FC 2FB 2FH 2FV 2GQ 3FS 3FP 3FL 3FD 3FY 3FQ 3FC 3FB 3FH 3FV 3GQ 3NS 3NP 3NL 3ND 3NY 3NQ 3NC 3NB 3NH 3NV BDS BDP BDL BDD BDY BDQ BDC BDB BDH BDV E1Q)	24R2578	**

The FRUs listed in the following table are not illustrated.

8142 FRUs	FRU#	CRU
HDD Mounting Brkt Asm (all models)	88P5916	*
Speaker Asm, internal (all models)	00N5151	*
Speaker Cable Asm (RoHS Compliant) (all models)	39M0614	*
C2 Cable Asm (models 37U 37F 37S 37P 37L 37D 37Y 37G 37M 37A 37Q 37T 37C 37B 37H 37V 37K 37E 37J CTO 2GA 2GQ 2GT 3GA 3GQ 3GT 3NU 3NF 3NS 3NP 3NL 3ND 3NY 3NG 3NM 3NA 3NQ 3NT 3NC 3NB 3NH 3NV 3NK 3NJ D1M D2M D3M D4M BDU BDF BDS BDP BDL BDD BDY BDG BDM BDA BDQ BDT BDC BDB BDH BDV BDK BDJ E1A E1Q E1T)	09K9827	**
Cable, Second Serial Port (all models)	49P4530	**
Retention module assembly (all models)	89P6725	*
Device Retaining Clips (all models)	13N2449	*
Fan and Duct Asm (all models)	39K5014	*
System board shield (all models)	89P6727	*
Cable, SATA (all models)	89P6728	**
Bezel Kit (all models)	89P6731	*
Cable and Front USB/Audio Card (all models)	89P6733	*
Cable, 2-drop IDE (all models)	89P6734	**
Cable, Diskette drive (all models)	89P6735	**
Shield, 5.25 Blank EMC (all models)	89P6771	*
Shield, Blank Diskette drive (all models)	89P6736	*
Miscellaneous Hardware kit (all models)	89P6737	*
Cable, 1394 Front (all models)	89P6738	**
Cable, Power/LED (all models)	89P6739	**
Battery, 3.0V (all models)	33F8354	*

8142 FRUs	FRU#	CRU
Universal Adapter Bracket 5.25 to 3.5-inch	32P4743	*
Mouse, PS/2 2-button (Black) (models CTO)	24P0383	*
Mouse, PS/2 - 3 Button (Ball) Wheel (models CTO)	24P0491	*
Mouse, Optical Wheelmouse, USB 400 DPI (models CTO 31U 31F 31S 31P 31L 31D 31Y 31G 31M 31A 31Q 31T 31C 31B 31H 31V 31K 31E 31J 32M 33M 3AM 37U 37F 37S 37P 37L 37D 37Y 37G 37M 37A 37Q 37T 37C 37B 37H 37V 37K 37E 37J B1M 38U 38F 38S 38P 38D 38Y 38G 38M 38A 38Q 38T 38C 38B 38H 38V 38K 38R 38E 38J 2FU 2FF 2FS 2FP 2FL 2FD 2FY 2FG 2FM 2FA 2FQ 2FT 2FC 2FB 2FH 2FV 2FK 2FJ 2GA 2GQ 2GT 3FU 3FF 3FS 3FP 3FL 3FD 3FY 3FG 3FM 3FA 3FQ 3FT 3FC 3FB 3FH 3FV 3FK 3FJ 3GA 3GQ 3GT 3NU 3NF 3NS 3NP 3NL 3ND 3NY 3NG 3NM 3NA 3NQ 3NT 3NC 3NB 3NH 3NV 3NK 3NJ D1M D2M D3M D4M BDU BDF BDS BDP BDL BDD BDY BDG BDM BDA BDQ BDT BDC BDB BDH BDV BDK BDJ E1A E1Q E1T)	89P5089	*
64MB PCIe Adapter Dual VGA (models D3U)	19R0849	*
PCI-E DVI-D Connection Adapter (models 3AM CTO B1M D2U D4U)	19R2374	*
1394 Firewire PCI LP (ATX) (models D4U)	73P2608	*
RJ11 Connector adapter (Spain, Ireland) (all 'G' models)	60H6043	*
RJ11 Connector adapter (Austria) (all 'G' models)	60H6045	*
RJ11 Connector adapter (Belgium) (all 'G' models)	60H6046	*
RJ11 Connector adapter (Denmark) (all 'G' models)	60H6047	*
RJ11 Connector adapter (Norway/Finland) (all 'G' models)	60H6048	*
RJ11 Connector adapter (France) (all 'G' models)	60H6049	*
RJ11 Connector adapter (Germany) (all 'G' models)	60H6050	*
RJ11 Connector adapter (UK,NZ, HK) (all 'G' models)	60H6051	*
RJ11 Connector adapter (Italy) (all 'G' models)	60H6052	*
RJ11 Connector adapter (Netherlands) (all 'G' models)	60H6053	*
RJ11 Connector adapter (Sweden) (all 'G' models)	60H6054	*
RJ11 Connector adapter (Switzerland) (all 'G' models)	60H6055	*

8142 Keyboards (Preferred Pro Fullsize)	FRU#	CRU
US English (models CTO 31U 31L 31G 31M 31A 31Q 31C 31H 31E 32M 33M 3AM 37U 37L 37G 37M 37A 37Q 37C 37H 37E B1M 38U 38G 38M 38A 38Q 38C 38H 38R 38E 2FU 2FL 2FG 2FM 2FA 2FQ 2FC 2FH 2GA 2GQ 3FU 3FL 3FG 3FM 3FA 3FQ 3FC 3FH 3GA 3GQ 3NU 3NL 3NG 3NM 3NA 3NQ 3NC 3NH D1M D2M D3M D4M BDU BDL BDG BDM BDA BDQ BDC BDH E1A E1Q)	89P8300	*
Arabic (models CTO-G 31G 37G 38G 2FG 3FG 3NG BDG)	89P8301	*
Belgian/French (models CTO-G 31G 37G 38G 2FG 3FG 3NG BDG)	89P8302	*
Belgian/UK (models CTO-G 31G 37G 38G 2FG 3FG 3NG BDG)	89P8303	*
Bulgarian ((models CTO-G 31G 37G 38G 2FG 3FG 3NG BDG)	89P8305	*
Chinese/US (models 31B 31V 37B 37V 38B 38V CTO-A 2FB 2FV 3FB 3FV 3NB 3NV BDB BDV)	89P8306	*
Czech (models CTO-G 31G 37G 38G 2FG 3FG 3NG BDG)	89P8307	*
Danish (models CTO-G 31G 37G 38G 2FG 3FG 3NG BDG)	89P8308	*
Dutch (models CTO-G 31G 37G 38G 2FG 3FG 3NG BDG)	89P8309	*
French (models CTO-G 31G 37G 38G 2FG 3FG 3NG BDG)	89P8310	*
French Canadian 445 (models CTO-U 31F 37F 38F 2FF 3FF 3NF BDF)	89P8311	*



8142 Keyboards (Preferred Pro Fullsize)	FRU#	CRU
French Canadian 58 (models CTO-U 31F 37F 38F 2FF 3FF 3NF BDF)	89P8312	*
German (models CTO-G 31G 37G 38G 2FG 3FG 3NG BDG)	89P8313	*
Greek (models CTO-G 31G 37G 38G 2FG 3FG 3NG BDG)	89P8314	*
Hebrew (models CTO-G 31G 37G 38G 2FG 3FG 3NG BDG)	89P8315	*
Hungarian (models CTO-G 31G 37G 38G 2FG 3FG 3NG BDG)	89P8316	*
Iceland (models CTO-G 31G 37G 38G 2FG 3FG 3NG BDG)	89P8317	*
Italian 141 (models CTO-G 31G 37G 38G 2FG 3FG 3NG BDG)	89P8318	*
Italian 142 (models CTO-G 31G 37G 38G 2FG 3FG 3NG BDG)	89P8319	*
Japanese (models 31J 37J 38J 2FJ 3FJ 3NJ BDJ)	89P8320	*
Korean (models 31K 37K 38K 2FK 3FK 3NK BDK)	89P8321	*
LA Spanish (models 31S 31D 31Y 37S 37D 37Y 38S 38D 38Y CTO-L 2FS 2FD 2FY 3FS 3FD 3FY 3NS 3ND 3NY BDS BDD BDY)	89P8322	*
Norwegian (models CTO-G 31G 37G 38G 2FG 3FG 3NG BDG)	89P8323	*
Polish (models CTO-G 31G 37G 38G 2FG 3FG 3NG BDG)	89P8324	*
Portuguese (models CTO-G 31G 37G 38G 2FG 3FG 3NG BDG)	89P8325	*
Romanian (models CTO-G 31G 37G 38G 2FG 3FG 3NG BDG)	89P8326	*
Russian (models CTO-G 31G 37G 38G 2FG 3FG 3NG BDG)	89P8327	*
Russian/Cyrillic (models CTO-G 31G 37G 38G 2FG 3FG 3NG BDG)	89P8328	*
Serbian/Cyrillic (models CTO-G 31G 37G 38G 2FG 3FG 3NG BDG)	89P8329	*
Slovak (models CTO-G 31G 37G 38G 2FG 3FG 3NG BDG)	89P8330	*
Spanish (models CTO-G 31G 37G 38G 2FG 3FG 3NG BDG)	89P8331	*
Swedish/Finn (models CTO-G 31G 37G 38G 2FG 3FG 3NG BDG)	89P8332	*
Swiss F/G (models CTO-G 31G 37G 38G 2FG 3FG 3NG BDG)	89P8333	*
Thailand (models 31T 37T 38T 2FT 2GT 3FT 3GT 3NT BDT E1T)	89P8334	*
Turkish 440 (models CTO-G 31G 37G 38G 2FG 3FG 3NG BDG)	89P8335	*
Turkish 179 (models CTO-G 31G 37G 38G 2FG 3FG 3NG BDG)	89P8336	*
UK English (models CTO-G 31G 37G 38G 2FG 3FG 3NG BDG)	89P8337	*
US Euro (models CTO-G 31G 37G 38G 2FG 3FG 3NG BDG)	89P8338	*
Yugoslav/Latin (models CTO-G 31G 37G 38G 2FG 3FG 3NG BDG)	89P8339	*
Brazil/Portugese (models 31P 37P 38P CTO-L 2FP 3FP 3NP BDP)	89P8304	*

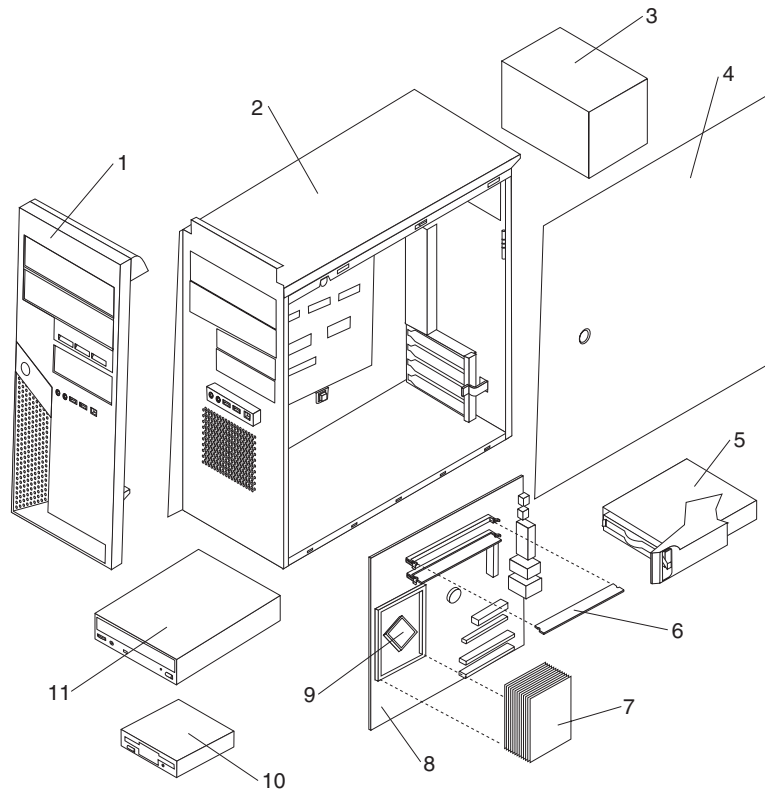
8142 Power Cords	FRU#	CRU
Power cord (models 31U 31F 31S 31P 31L 31D 31G 31A 31T 31V 37U 37F 37S 37P 37L 37D 37G 37A 37T 37V 38U 38F 38S 38P 38D 38G 38A 38T 38V 2FU 2FF 2FS 2FP 2FL 2FD 2FG 2FA 2FT 2FV 2GA 2GT 3FU 3FF 3FS 3FP 3FL 3FD 3FG 3FA 3FT 3FV 3GA 3GT 3NU 3NF 3NS 3NP 3NL 3ND 3NG 3NA 3NT 3NV BDU BDF BDS BDP BDL BDD BDG BDA BDT BDV E1A E1T)	6952301	*
Power cord (ANZ) (models 31M 32M 33M 3AM 37M B1M 38M 2FM 3FM 3NM D1M D2M D3M D4M BDM)	13F9939	*
Power cord (EMEA, ANZ, ASEAN Eng, Korea) (models 31G 31K 37G 37K 38G 38K 38R 2FG 2FK 3FG 3FK 3NG 3NK BDG BDK)	13F9978	*
Power cord (EMEA, ANZ, ASEAN Eng, HK Eng) (models 31G 31H 37G 37H 38G 38H 2FG 2FH 3FG 3FH 3NG 3NH BDG BDH)	14F0032	*

8142 Power Cords	FRU#	CRU
Power cord (EMEA) (models 31G 37G 38G 2FG 3FG 3NG BDG)	13F9996	*
Power cord (EMEA, LA) (models 31S 31P 31L 31D 31Y 31G 37S 37P 37L 37D 37Y 37G 38S 38P 38D 38Y 38G 2FS 2FP 2FL 2FD 2FY 2FG 3FS 3FP 3FL 3FD 3FY 3FG 3NS 3NP 3NL 3ND 3NY 3NG BDS BDP BDL BDD BDY BDG)	14F0068	*
Power cord (APU) (models 31Y 37Y 38Y 2FY 3FY 3NY BDY)	36L8879	*
Power cord (China, HK) (models 31C 31B 31H 37C 37B 37H 38C 38B 38H 2FC 2FB 2FH 3FC 3FB 3FH 3NC 3NB 3NH BDC BDB BDH)	02K0545	*
Power cord (EMEA) (models 31G 37G 38G 2FG 3FG 3NG BDG)	14F0086	*
Power cord (EMEA, ANZ, ASEAN Eng) (models C31G 37G 38G 2FG 3FG 3NG BDG)	14F0014	*
Power cord (EMEA) (models 31G 37G 38G 2FG 3FG 3NG BDG)	14F0050	*
Power cord (India) (models 31Q 37Q 38Q 2FQ 2GQ 3FQ 3GQ 3NQ BDQ E1Q)	49P2078	*

8142 Windows XP Pro Recovery CDs	FRU #	CRU
US (models 31U 31L 31M 31A 31Q 31T 31H 31E 32M 33M 3AM 37U 37L 37M 37A 37Q 37T 37H 37E B1M 38U 38M 38A 38Q 38T 38H 38R 38E 2FU 2FL 2FM 2FA 2FQ 2FT 2FH 2GA 2GQ 2GT 3FU 3FL 3FM 3FA 3FQ 3FT 3FH 3GA 3GQ 3GT 3NU 3NL 3NM 3NA 3NQ 3NT 3NH D1M D2M D3M D4M BDU BDL BDM BDA BDQ BDT BDH E1A E1Q E1T)	39J6597	*
FR (models 31F 31G 37F 37G 38F 38G 2FF 2FG 3FF 3FG 3NF 3NG BDF BDG)	39J6598	*
GR (models 31G 37G 38G 2FG 3FG 3NG BDG)	39J6599	*
IT (models 31G 37G 38G 2FG 3FG 3NG BDG)	39J6601	*
SP (models 31G 37G 38S 38D 38Y 38G 31S 31D 31Y 37S 37D 37Y 2FS 2FD 2FY 2FG 3FS 3FD 3FY 3FG 3NS 3ND 3NY 3NG BDS BDD BDY BDG)	39J6600	*
BR (models 38P 31P 37P)	39J6602	*
DK (models 31G 37G 38G 2FG 3FG 3NG BDG)	39J6604	*
NL (models 31G 37G 38G 2FG 3FG 3NG BDG)	39J6607	*
AE (models 31G 37G 38G 2FG 3FG 3NG BDG)	39J6611	*
SV (models 31G 37G 38G 2FG 3FG 3NG BDG)	39J6603	*
HE (models 31G 37G 38G 2FG 3FG 3NG BDG)	39J6608	*
FI (models 31G 37G 38G 2FG 3FG 3NG BDG)	39J6605	*
NO (models 31G 37G 38G 2FG 3FG 3NG BDG)	39J6606	*
PL (models 31G 37G 38G 2FG 3FG 3NG BDG)	39J6609	*
PO (models 31G 37G 38G 2FG 3FG 3NG BDG)	39J6615	*
RU (models 31G 37G 38G 2FG 3FG 3NG BDG)	41D1198	*
HU (models 31G 37G 38G 2FG 3FG 3NG BDG)	39J6614	*
CZ (models 31G 37G 38G 2FG 3FG 3NG BDG)	39J6610	*
TR (models 31G 37G 38G 2FG 3FG 3NG BDG)	39J6602	*
GK (models 31G 37G 38G 2FG 3FG 3NG BDG)	39J6616	*
SL (models 31G 37G 38G 2FG 3FG 3NG BDG)	39J6617	*
JP (models 31J 37J 38J 2FJ 3FJ 3NJ BDJ)	30R4762	*
CS (models 31C 37C 38C 2FC 3FC 3NC BDC)	30R4741	*
TW (models 31V 37V 38V 2FV 3FV 3NV BDV)	30R4748	*
HK (models 31B 37B 38B 2FB 3FB 3NB BDB)	30R4755	*
KR (models 31K 37K 38K 2FK 3FK 3NK BDK)	30R4734	*

8142 Windows XP Pro Recovery CDs	FRU #	CRU
Multilingual 1 (models 31G 37G 38G 2FG 3FG 3NG BDG)	39J6215	*
Multilingual 2 (models 31G 37G 38G 2FG 3FG 3NG BDG)	39J6216	*

# Machine Type 8143



Item #	8143 FRUs	FRU#	CRU
1	Bezel (all models)	26K1116	*
2	Chassis Asm (subd from 26K1113) (all models)	26K1160	**
3	Power Supply 310 Watt (models CTO 11U 23G 24U 24F 24G 25A 25T 32U 33U 34U 34F 34G 34M 34A 34T 34K 34R 34E 34J 35K 36G CAU CBU A1U A2U A3U 12A 12T 13U 13F 14U 27U 28U 29U 38U 38F 38G 38M 38A 38T 38K 38E 38J 39U 39A CCU A4K A5U 15K 16K 3CU 3CF 4GU 4GF 4HJ 4JU 4JF 4KU 4LU 4MU B1G B2G B3J B4J B5A B5T B7K B8K B9K BAK BBU BBF D1J D2J D3G D4G D5A D5T D6U D6F D7K D8K D9K CEU CFU 17U 17F 2AU 2AF 3DU 3DF 3DF 4RG 4SG 2CU A6U A7U A8U A9U 19U 1AU 18U 2EU 2EF 2EG 2FU 2FF 2FG 2FM 2FA 2FT 2FK 2FJ 2GA 2GT 2HU 2JU 2KU 2LU 2LG 2MU 2MF 3EU 3FK 3GU 3GF A6U A7U A8U A9U 19U 1AU 18U 2EU 2EF 2EG 2FU 2FF 2FG 2FM 2FA 2FT 2FK 2FJ 2GA 2GT 2HU 2JU 2KU 2LU 2LG 2MU 2MF 3EU 3FK 3GU 3GF 3GG 3GM 3GA 3GT 3GK 3GJ 3HU 3JA 3JT 3KU 3LU 3MU 3MF 3NU 3NF 3NG 3NM 3NA 3NT 3NK 3NJ 3PU 3PF 4UU 4VG 4WU 4WF 4XU 4XF 54U 54G 54A 54T 55U 57U BEU BEF BEG BEM BEA BET BEK BEJ BFU BGA BGT DBU DCU DDU DDA DDT CGU CHU CJU CKU CLU)	24R2574	**

Item #	8143 FRUs	FRU#	CRU
3	Power Supply 310 Watt (China) (models 21S 21P 21Y 31S 31P 31Y 22B 22H 25Q 34S 34P 34L 34D 34Y 34Q 34C 34B 34H 34V 35C 35B 35H 35V A1S A1P A1L A1Y A2S A2P A2L A2Y 12Q 12C 12B 12H 12V 13S 13P 13L 13Y 26S 26P 26L 26Y 37S 37P 37L 37Y 38S 38P 38L 38D 38Y 38Q 38C 38B 38H 38V 39B A5S A5Y 4EC 4FC 4LS 4LY 4MS 4MY 4NS 4NY B5Q B6V BBS BBY D5Q D6S D6Y D6C D6V CTO-A CTO-L BCC 3DS 3DY BDS BDY DAS DAY 2DB 2DH 2FS 2FP 2FL 2FD 2FY 2FQ 2FC 2FB 2FH 2FV 2GQ 3FC 3FB 3FH 3FV 3GS 3GP 3GL 3GD 3GY 3GQ 3GC 3GB 3GH 3GV 3JQ 3NS 3NP 3NL 3ND 3NY 3NQ 3NC 3NB 3NH 3NV 4TC 2DB 2DH 2FS 2FP 2FL 2FD 2FY 2FQ 2FC 2FB 2FH 2FV 2GQ 3FC 3FB 3FH 3FV 3GS 3GP 3GL 3GD 3GY 3GQ 3GC 3GB 3GH 3GV 3JQ 3NS 3NP 3NL 3ND 3NY 3NQ 3NC 3NB 3NH 3NV 4TC 54Q 56C BDB BDH BES BEP BEL BED BEY BEQ BEC BEB BEH BEV BGQ DDQ)	24R2578	**
4	Cover Asm (all models)	26K1115	**
5	HDD 40GB 7200 rpm Serial ATA (models 32A 32T CTO 11U 24U 24F 24G 25A 25Q 25T 32U 33U 34U 34F 34S 34P 34L 34D 34Y 34G 34M 34A 34Q 34T 34C 34B 34H 34V 34K 34R 34E 34J A1U A1S A1P A1L A1Y A2U A2S A2P A2L A2Y A3U 12A 12Q 12T 12C 12B 12H 12V 13U 13F 13S 13P 13L 13Y 14U 27U A4K A5U A5S A5Y 15K 4LU 4LS 4LY B2G B5A B5Q B5T B6V B7K D4G D5A D5Q D5T BCC 4RG A6U A7U A8U A9U 19U 1AU 18U 2EU 2EF 2EG 2FU 2FF 2FS 2FP 2FL 2FD 2FY 2FG 2FM 2FA 2FQ 2FT 2FC 2FB 2FH 2FV 2FK 2FJ 3EU 3GU 3GF 3GS 3GP 3GL 3GD 3GY 3GG 3GM 3GA 3GQ 3GT 3GC 3GB 3GH 3GV 3GK 3GJ 3HU 4UU 4VG BEU BEF BES BEP BEL BED BEY BEG BEM BEA BEQ BET BEC BEB BEH BEV BEK BEJ DBU)	71P7312	*
5	HDD 40GB 7200 rpm Serial ATA (models 32A 32T CTO 11U 24U 24F 24G 25A 25Q 25T 32U 33U 34U 34F 34S 34P 34L 34D 34Y 34G 34M 34A 34Q 34T 34C 34B 34H 34V 34K 34R 34E 34J A1U A1S A1P A1L A1Y A2U A2S A2P A2L A2Y A3U 12A 12Q 12T 12C 12B 12H 12V 13U 13F 13S 13P 13L 13Y 14U 27U A4K A5U A5S A5Y 15K 4LU 4LS 4LY B2G B5A B5Q B5T B6V B7K D4G D5A D5Q D5T BCC 4RG A6U A7U A8U A9U 19U 1AU 18U 2EU 2EF 2EG 2FU 2FF 2FS 2FP 2FL 2FD 2FY 2FG 2FM 2FA 2FQ 2FT 2FC 2FB 2FH 2FV 2FK 2FJ 3EU 3GU 3GF 3GS 3GP 3GL 3GD 3GY 3GG 3GM 3GA 3GQ 3GT 3GC 3GB 3GH 3GV 3GK 3GJ 3HU 4UU 4VG BEU BEF BES BEP BEL BED BEY BEG BEM BEA BEQ BET BEC BEB BEH BEV BEK BEJ DBU)	40Y8760	*
5	HDD 40GB 7200 rpm Serial ATA (models 32A 32T CTO 11U 24U 24F 24G 25A 25Q 25T 32U 33U 34U 34F 34S 34P 34L 34D 34Y 34G 34M 34A 34Q 34T 34C 34B 34H 34V 34K 34R 34E 34J A1U A1S A1P A1L A1Y A2U A2S A2P A2L A2Y A3U 12A 12Q 12T 12C 12B 12H 12V 13U 13F 13S 13P 13L 13Y 14U 27U A4K A5U A5S A5Y 15K 4LU 4LS 4LY B2G B5A B5Q B5T B6V B7K D4G D5A D5Q D5T BCC 4RG A6U A7U A8U A9U 19U 1AU 18U 2EU 2EF 2EG 2FU 2FF 2FS 2FP 2FL 2FD 2FY 2FG 2FM 2FA 2FQ 2FT 2FC 2FB 2FH 2FV 2FK 2FJ 3EU 3GU 3GF 3GS 3GP 3GL 3GD 3GY 3GG 3GM 3GA 3GQ 3GT 3GC 3GB 3GH 3GV 3GK 3GJ 3HU 4UU 4VG BEU BEF BES BEP BEL BED BEY BEG BEM BEA BEQ BET BEC BEB BEH BEV BEK BEJ DBU)	40Y9033	*
5	HDD 80GB 7200 rpm Serial ATA (models 21S 21P 21Y 31S 31P 31Y CTO 22B 22H 23G 35C 35B 35H 35V 35K 36G 26S 26P 26L 26Y 28U 29U 37S 37P 37L 37Y 38U 38F 38S 38P 38L 38D 38Y 38G 38M 38A 38Q 38T 38C 38B 38H 38V 38K 38E 38J 39U 39A 39B 16K 3CU 3CF 4EC 4GU 4GF 4HJ 4JU 4JF 4KU 4MU 4MS 4MY 4NS 4NY B1G B3J B4J B8K B9K BAK BBU BBF BBS BBY D1J D2J D3G D6U D6F D6S D6Y D6C D6V D7K 17U 17F 2AU 2AF 3DU 3DF 3DF 3DS 3DY 4SG BDS BDY DAS DAY 2CU 2DB 2DH 2GA 2GQ 2GT 2HU 2JU 2KU 2LU 2LG 2MU 2MF 3FC 3FB 3FH 3FV 3FK 3JA 3JQ 3JT 3KU 3LU 3MU 3MF 3NU 3NF 3NS 3NP 3NL 3ND 3NY 3NG 3NM 3NA 3NQ 3NT 3NC 3NB 3NH 3NV 3NK 3NJ 3PU 3PF 4TC 4WU 4WF 4XU 4XF 54U 54G 54A 54Q 54T 55U 57U BDB BDH BFU BGA BGQ BGT DCU DDU DDA DDQ DDT)	71P7293	*

Item #	8143 FRUs	FRU#	CRU
5	HDD 80GB 7200 rpm Serial ATA (models 21S 21P 21Y 31S 31P 31Y CTO 22B 22H 23G 35C 35B 35H 35V 35K 36G 26S 26P 26L 26Y 28U 29U 37S 37P 37L 37Y 38U 38F 38S 38P 38L 38D 38Y 38G 38M 38A 38Q 38T 38C 38B 38H 38V 38K 38E 38J 39U 39A 39B 16K 3CU 3CF 4EC 4GU 4GF 4HJ 4JU 4JF 4KU 4MU 4MS 4MY 4NS 4NY B1G B3J B4J B8K B9K BAK BBU BBF BBS BBY D1J D2J D3G D6U D6F D6S D6Y D6C D6V D7K 17U 17F 2AU 2AF 3DU 3DF 3DF 3DS 3DY 4SG BDS BDY DAS DAY 2CU 2DB 2DH 2GA 2GQ 2GT 2HU 2JU 2KU 2LU 2LG 2MU 2MF 3FC 3FB 3FH 3FV 3FK 3JA 3JQ 3JT 3KU 3LU 3MU 3MF 3NU 3NF 3NS 3NP 3NL 3ND 3NY 3NG 3NM 3NA 3NQ 3NT 3NC 3NB 3NH 3NV 3NK 3NJ 3PU 3PF 4TC 4WU 4WF 4XU 4XF 54U 54G 54A 54Q 54T 55U 57U BDB BDH BFU BGA BGQ BGT DCU DDU DDA DDQ DDT)	40Y8761	*
5	HDD 80GB 7200 rpm Serial ATA (models 21S 21P 21Y 31S 31P 31Y CTO 22B 22H 23G 35C 35B 35H 35V 35K 36G 26S 26P 26L 26Y 28U 29U 37S 37P 37L 37Y 38U 38F 38S 38P 38L 38D 38Y 38G 38M 38A 38Q 38T 38C 38B 38H 38V 38K 38E 38J 39U 39A 39B 16K 3CU 3CF 4EC 4GU 4GF 4HJ 4JU 4JF 4KU 4MU 4MS 4MY 4NS 4NY B1G B3J B4J B8K B9K BAK BBU BBF BBS BBY D1J D2J D3G D6U D6F D6S D6Y D6C D6V D7K 17U 17F 2AU 2AF 3DU 3DF 3DF 3DS 3DY 4SG BDS BDY DAS DAY 2CU 2DB 2DH 2GA 2GQ 2GT 2HU 2JU 2KU 2LU 2LG 2MU 2MF 3FC 3FB 3FH 3FV 3FK 3JA 3JQ 3JT 3KU 3LU 3MU 3MF 3NU 3NF 3NS 3NP 3NL 3ND 3NY 3NG 3NM 3NA 3NQ 3NT 3NC 3NB 3NH 3NV 3NK 3NJ 3PU 3PF 4TC 4WU 4WF 4XU 4XF 54U 54G 54A 54Q 54T 55U 57U BDB BDH BFU BGA BGQ BGT DCU DDU DDA DDQ DDT)	40Y9034	*
5	HDD 160GB 7200 rpm Serial ATA (models CTO 4FC D8K D9K 56C)	71P7297	*
5	HDD 160GB 7200 rpm Serial ATA (models CTO 4FC D8K D9K 56C)	40Y8762	*
5	HDD 160GB 7200 rpm Serial ATA (models CTO 4FC D8K D9K 56C)	40Y9035	*
6	256MB PC2 3200 Memory (DDR1) (models 21S 21P 21Y 31S 31P 31Y 32A 32T CTO 11U 22B 22H 23G 24U 24F 24G 25A 25Q 25T 32U 33U 34U 34F 34S 34P 34L 34D 34Y 34G 34M 34A 34Q 34T 34C 34B 34H 34V 34K 34R 34E 34J 35C 35B 35H 35V 35K 36G A1U A1S A1P A1L A1Y A2U A2S A2P A2L A2Y A3U 12A 12Q 12T 12C 12B 12H 12V 13U 13F 13S 13P 13L 13Y 14U 26S 26P 26L 26Y 27U 28U 29U 37S 37P 37L 37Y 38U 38F 38S 38P 38L 38D 38Y 38G 38M 38A 38Q 38T 38C 38B 38H 38V 38K 38E 38J 39U 39A 39B)	73P2683	*
6	512MB PC2 3200 Memory (DDR1) (models CTO)	73P2684	*
6	256MB PC2 3200 Memory (400mhz DDR2) (models CTO A4K A5U A5S A5Y 15K 3CU 3CF 4EC 4FC 4GU 4GF 4JU 4JF 4KU 4LU 4LS 4LY 4MU 4MS 4MY 4NS 4NY B1G B2G B6V B7K B8K BBU BBF BBS BBY D3G D4G D6U D6F D6S D6Y D6C D6V BCC 4RG 4SG 2CU A6U A7U A8U A9U 19U 1AU 18U 2DB 2DH 2EU 2EF 2EG 2FU 2FF 2FS 2FP 2FL 2FD 2FY 2FG 2FM 2FA 2FQ 2FT 2FC 2FB 2FH 2FV 2FK 2FJ 2GA 2GQ 2GT 2HU 2JU 2KU 2LU 2LG 3EU 3FC 3FB 3FH 3FV 3FK 3GU 3GF 3GS 3GP 3GL 3GD 3GY 3GG 3GM 3GA 3GQ 3GT 3GC 3GB 3GH 3GV 3GK 3GJ 3HU 3JA 3JQ 3JT 3KU 3LU 3MU 3MF 3NU 3NF 3NS 3NP 3NL 3ND 3NY 3NG 3NM 3NA 3NQ 3NT 3NC 3NB 3NH 3NV 3NK 3NJ 4TC 4UU 4VG 4WU 4WF 4XU 4XF 54U 54G 54A 54Q 54T 55U 56C 57U BDB BDH BEU BEF BES BEP BEL BED BEY BEG BEM BEA BEQ BET BEC BEB BEH BEV BEK BEJ BFU DBU DCU)	73P3220	*
6	512MB PC2 3200 Memory (400mhz DDR2) (models CTO 16K 4HJ B3J B4J B5A B5Q B5T B9K BAK D1J D2J D5A D5Q D5T D7K D8K D9K 17U 17F 2AU 2AF 3DU 3DF 3DF 3DS 3DY BDS BDY DAS DAY 2MU 2MF 3PU 3PF BGA BGQ BGT DDU DDA DDQ DDT)	73P3222	*
6	1024MB PC2 3200 Memory (400mhz DDR2) (models CTO)	73P3224	*

Item #	8143 FRUs	FRU#	CRU
7	Heat sink (models 4LS 4LY 4MU 4MS 4MY 4NS 4NY CFU B1G B2G B3J B4J B5A B5Q B5T B6V B7K B8K B9K BAK BBU BBF BBS BBY D1J D2J D3G D4G D5A D5Q D5T D6U D6F D6S D6Y D6C D6V D7K D8K D9K BCC 17U 17F 2AU 2AF 3DU 3DF 3DF 3DS 3DY 4RG 4SG BDS BDY DAS DAY 2CU 21S 21P 21Y 31S 31P 31Y 32A 32T CTO 11U 22B 22H 23G 24U 24F 24G 25A 25Q 25T 32U 33U 34U 34F 34S 34P 34L 34D 34Y 34G 34M 34A 34Q 34T 34C 34B 34H 34V 34K 34R 34E 34J 35C 35B 35H 35V 35K CBU 36G A1U A1S A1P A1L A1Y A2U A2S A1P A1L A1Y A3U 12A 12Q 12T 12C 12B 12H 12V 13U 13F 13S 13P 13L 13Y 14U 26S 26P 26L 26Y 27U 28U 29U 37S 37P 37L 37Y 38U 38F 38S 38P 38L 38D 38Y 38G 38M 38A 38Q 38T 38C 38B 38H 38V 38K 38E 38J 39U 39A 39B CCU A4K A5U A5S A5Y CEU 15K 16K 3CU 3CF 4EC 4FC 4GU 4GF 4HJ 4JU 4JF 4KU 4LU)	89P6729	**
8	System board 10/1000 w/ POV (models 4LS 4LY 4MU 4MS 4MY 4NS 4NY B1G B2G B3J B4J B5A B5Q B5T B6V B7K B8K B9K BAK BBU BBF BBS BBY D1J D2J D3G D4G D5A D5Q D5T D6U D6F D6S D6Y D6C D6V D7K D8K D9K CEU CFU BCC 17U 17F 2AU 2AF 3DU 3DF 3DF 3DS 3DY 4RG 4SG BDS BDY DAS DAY 2CU A6U A7U A8U A9U 19U 1AU 18U 2DB 2DH 2EU 2EF 2EG 2FU 2FF 2FS 2FP 2FL 2FD 2FY 2FG 2FM 2FA 2FQ 2FT 2FC 2FB 2FH 2FV 2FK 2FJ 2GA 2GQ 2GT 2HU 2JU 2KU 2LU 2LG 2MU 2MF 3EU 3FC 3FB 3FH 3FV 3FK 3GU 3GF 3GS 3GP 3GL 3GD 3GY 3GG 3GM 3GA 3GQ 3GT 3GC 3GB 3GH 3GV 3GK 3GJ 3HU 3JA 3JQ 3JT 3KU 21S 21P 21Y 31S 31P 31Y 32A 32T CTO 11U 22B 22H 23G 24U 24F 24G 25A 25Q 25T 32U 33U 34U 34F 34S 34P 34L 34D 34Y 34G 34M 34A 34Q 34T 34C 34B 34H 34V 34R 34K 34E 34J 35C 35B 35H 35V 35K 36G CAU CBU A1U A1S A1P A1L A1Y A2U A2S A2P A2L A2Y A3U 12A 12Q 12T 12C 12B 12H 12V 13U 13F 13S 13P 13L 13Y 14U 26S 26P 26L 26Y 27U 28U 29U 37S 37P 37L 37Y 38U 38F 38S 38P 38L 38D 38Y 38G 38M 38A 38Q 38T 38C 38B 38H 38V 38K 38E 38J 39U 39A 39B CCU A4K A5U A5S A5Y 15K 16K 3CU 3CF 4EC 4FC 4GU 4GF 4HJ 4JU 4JF 4KU 4LU A6U A7U A8U A9U 19U 1AU 18U 2DB 2DH 2EU 2EF 2EG 2FU 2FF 2FS 2FP 2FL 2FD 2FY 2FG 2FM 2FA 2FQ 2FT 2FC 2FB 2FH 2FV 2FK 2FJ 2GA 2GQ 2GT 2HU 2JU 2KU 2LU 2LG 2MU 2MF 3EU 3FC 3FB 3FH 3FV 3FK 3GU 3GF 3GS 3GP 3GL 3GD 3GY 3GG 3GM 3GA 3GQ 3GT 3GC 3GB 3GH 3GV 3GK 3GJ 3HU 3JA 3JQ 3JT 3KU 3LU 3MU 3MF 3NU 3NF 3NS 3NP 3NL 3ND 3NY 3NG 3NM 3NA 3NQ 3NT 3NC 3NB 3NH 3NV 3NK 3NJ 3PU 3PF 4TC 4UU 4VG 4WU 4WF 4XU 4XF 54U 54G 54A 54Q 54T 55U 56C 57U BDB BDH BEU BEF BES BEP BEL BED BEY BEG BEM BEA BEQ BET BEC BEB BEH BEV BEK BEJ BFU BGA BGQ BGT DBU DCU DDU DDA DDQ DDT CGU CHU CJU CKU CLU)	41X2839	**
9	2.53 GHZ Celeron Prescott P4 (models CTO)	29R7215	**
9	2.66 GHZ Celeron Prescott P4 (models CTO A1U A1S A1P A1L A1Y)	29R7217	**
9	2.8 GHZ Celeron Prescott P4 (models CTO A2U A2S A2P A2L A2Y A3U)	29R7219	**
9	2.93 GHZ Celeron Prescott P4 (models CTO)	29R7221	**
9	3.06GHZ Celeron Prescott P4 (models CTO A4K A5U A5S A5Y CEU)	29R8208	**
9	2.53GHZ Celeron Prescott P4 326 (models CTO)	39J9397	**
9	2.66 GHZ Celeron Prescott P4 331 (models CTO A6U)	39J9399	**
9	2.8 GHZ Celeron Prescott P4 336 (models CTO A7U A8U)	39J9401	**
9	2.93 GHZ Celeron Prescott P4 341 (models CTO)	39J9403	**
9	3.06 GHZ Celeron Prescott P4 346 (models CTO A9U CGU)	39J9405	**
9	3.2 GHZ Celeron Prescott P4 351 (models CTO)	41D0533	**
9	2.66 GHZ Prescott P4 (models CTO 15K 16K)	29R7223	**
9	2.93GHZ Prescott P4 (models CTO 12A 12Q 12T 12C 12B 12H 12V 13U 13F 13S 13P 13L 13Y 14U CCU 17U 17F)	29R7225	**
9	2.66GHZ Celeron Prescott P4 346 (models CTO)	41D0676	**
9	2.93GHZ Celeron Prescott P4 351 (models CTO 19U 1AU CLU)	41D0677	**

Item #	8143 FRUs	FRU#	CRU
9	3.06GHZ Celeron Prescott P4 (models CTO)	41D0678	**
9	2.8GHZ Prescott P4 (models 11U CTO)	19R0495	**
9	3.0GHZ Prescott P4 (models 21S 21P 21Y CTO 22B 22H 23G 24U 24F 24G 25A 25Q 25T CAU 26S 26P 26L 26Y 27U 28U 29U 2AU 2AF 2CU)	19R0496	**
9	3.2GHZ Prescott P4 (models 31S 31P 31Y 32A 32T CTO 32U 33U 34U 34F 34S 34P 34L 34D 34Y 34G 34M 34A 34Q 34T 34C 34B 34H 34V 34K 34R 34E 34J 35C 35B 35H 35V 35K 36G CBU 37S 37P 37L 37Y 38U 38F 38S 38P 38L 38D 38Y 38G 38M 38A 38Q 38T 38C 38B 38H 38V 38K 38E 38J 39U 39A 39B 3CU 3CF 3DU 3DF 3DF 3DS 3DY)	19R0497	**
9	3.4GHZ Prescott P4 (models CTO 4EC 4FC 4GU 4GF 4HJ 4JU 4JF 4KU 4LU 4LS 4LY 4MU 4MS 4MY 4NS 4NY CFU 4RG 4SG)	19R0498	**
9	3.4GHZ Prescott P4 (low-power) (models CTO)	19R3011	**
9	3.6GHZ Prescott P4 (models CTO)	19R0499	**
9	3.8GHZ Prescott P4 (models CTO)	29R8211	**
9	2.8GHZ Prescott P4 531 (models CTO 18U)	39J9407	**
9	3.0GHZ Prescott P4 531 (models CTO 2DB 2DH 2EU 2EF 2EG 2FU 2FF 2FS 2FP 2FL 2FD 2FY 2FG 2FM 2FA 2FQ 2FT 2FC 2FB 2FH 2FV 2FK 2FJ 2GA 2GQ 2GT 2HU 2JU 2KU 2LU 2LG 2MU 2MF CHU)	39J9409	**
9	3.2GHZ Prescott P4 541 (models CTO 3EU 3FC 3FB 3FH 3FV 3FK 3GU 3GF 3GS 3GP 3GL 3GD 3GY 3GG 3GM 3GA 3GQ 3GT 3GC 3GB 3GH 3GV 3GK 3GJ 3HU 3JA 3JQ 3JT 3KU 3LU 3MU 3MF 3NU 3NF 3NS 3NP 3NL 3ND 3NY 3NG 3NM 3NA 3NQ 3NT 3NC 3NB 3NH 3NV 3NK 3NJ 3PU 3PF CJU)	39J9411	**
9	3.4GHZ Prescott P4 551 (models CTO 4TC 4UU 4VG 4WU 4WF 4XU 4XF 54U 54G 54A 54Q 54T 55U 56C 57U CKU)	39J9413	**
9	3.6GHZ Prescott P4 561 (models CTO)	41D0535	**
9	3.8GHZ Prescott P4 571 (models CTO)	41D0537	**
9	3.0GHZ Prescott P4 (models CTO B1G B2G B3J B4J B5A B5Q B5T B6V B7K B8K B9K BAK BBU BBF BBS BBY BCC BDS BDY BDB BDH BEU BEF BES BEP BEL BED BEY BEG BEM BEA BEQ BET BEC BEB BEH BEV BEK BEJ BFU BGA BGQ BGT)	39J6589	**
9	3.2GHZ Prescott P4 (models CTO D1J D2J D3G D4G D5A D5Q D5T D6U D6F D6S D6Y D6C D6V D7K D8K D9K DAS DAY DBU DCU DDU DDA DDQ DDT)	39J6591	**
9	3.4GHZ Prescott P4 (models CTO)	39J6593	**
9	3.6GHZ Prescott P4 (models CTO)	39J6595	**
9	3.8GHZ Prescott P4 670 (models CTO)	41D0539	**



Item #	8143 FRUs	FRU#	CRU
10	3.5" 1.44MB 2MODE diskette drive (models 4MS 4MY 4NS 4NY B1G B2G B3J B4J B5A B5Q B5T B6V B7K B8K B9K BAK BBU BBF BBS BBY D1J D2J D3G D4G D5A D5Q D5T D6U D6F D6S D6Y D6C D6V D7K D8K D9K BCC 17U 17F 2AU 2AF 3DU 3DF 3DF 3DS 3DY 4RG 4SG BDS BDY DAS DAY 2CU A6U A7U A8U A9U 19U 1AU 18U 2DB 2DH 2EU 2EF 2EG 2FU 2FF 2FS 2FP 2FL 2FD 2FY 2FG 2FM 2FA 2FQ 2FT 2FC 2FB 2FH 2FV 2FK 2FJ 2GA 2GQ 2GT 2HU 2JU 2KU 2LU 2LG 2MU 2MF 3EU 3FC 3FB 3FH 3FV 3FK 3GU 3GF 3GS 3GP 3GL 3GD 3GY 3GG 3GM 3GA 3GQ 3GT 3GC 3GB 3GH 3GV 3GK 3GJ 3HU 3JA 3JQ 3JT 3KU 3LU 3MU 3MF 3NU 3NF 3NS 3NP 3NL 3ND 3NY 3NG 3NM 3NA 3NQ 3NT 3NC 3NB 3NH 3NV 3NK 3NJ 3PU 3PF 4TC 4UU 4VG 4WU 4WF 4XU 4XF 54U 54G 54A 54Q 54T 55U 56C 57U BDB BDH BEU BEF BES BEP BEL BED BEY BEG BEM BEA BEQ BET BEC BEB BEH BEV BEK BEJ BFU BGA BGQ BGT DBU DCU DDU DDA DDQ DDT 21S 21P 21Y 31S 31P 31Y 32A 32T CTO 11U 22B 22H 23G 24U 24F 24G 25A 25Q 25T 32U 33U 34U 34F 34S 34P 34L 34D 34Y 34G 34M 34A 34Q 34T 34C 34B 34H 34V 34K 34R 34E 34J 35C 35B 35H 35V 35K 36G A1U A1S A1P A1L A1Y A2U A2S A2P A2L A2Y A3U 12A 12Q 12T 12C 12B 12H 12V 13U 13F 13S 13P 13L 13Y 14U 26S 26P 26L 26Y 27U 28U 29U 37S 37P 37L 37Y 38U 38F 38S 38P 38L 38D 38Y 38G 38M 38A 38Q 38T 38C 38B 38H 38V 38K 38E 38J 39U 39A 39B A4K A5U A5S A5Y 15K 16K 3CU 3CF 4EC 4FC 4GU 4GF 4HJ 4JU 4JF 4KU 4LU 4LS 4LY 4MU)	76H4091	*
10	3.5" 1.44MB 2MODE diskette drive (models 17U 17F 2AU 2AF 3DU 3DF 3DF 3DS 3DY 4RG 4SG BDS BDY DAS DAY 2CU CTO A6U A7U A8U A9U 19U 1AU 18U 2DB 2DH 2EU 2EF 2EG 2FU 2FF 2FS 2FP 2FL 2FD 2FY 2FG 2FM 2FA 2FQ 2FT 2FC 2FB 2FH 2FV 2FK 2FJ 2GA 2GQ 2GT 2HU 2JU 2KU 2LU 2LG 2MU 2MF 3EU 3FC 3FB 3FH 3FV 3FK 3GU 3GF 3GS 3GP 3GL 3GD 3GY 3GG 3GM 3GA 3GQ 3GT 3GC 3GB 3GH 3GV 3GK 3GJ 3HU 3JA 3JQ 3JT 3KU 3LU 3MU 3MF 3NU 3NF 3NS 3NP 3NL 3ND 3NY 3NG 3NM 3NA 3NQ 3NT 3NC 3NB 3NH 3NV 3NK 3NJ 3PU 3PF 4TC 4UU 4VG 4WU 4WF 4XU 4XF 54U 54G 54A 54Q 54T 55U 56C 57U BDB BDH BEU BEF BES BEP BEL BED BEY BEG BEM BEA BEQ BET BEC BEB BEH BEV BEK BEJ BFU BGA BGQ BGT DBU DCU DDU DDA DDQ DDT)	40Y9107	*
10	3.5" 1.44MB 2MODE diskette drive (models 17U 17F 2AU 2AF 3DU 3DF 3DF 3DS 3DY 4RG 4SG BDS BDY DAS DAY 2CU CTO A6U A7U A8U A9U 19U 1AU 18U 2DB 2DH 2EU 2EF 2EG 2FU 2FF 2FS 2FP 2FL 2FD 2FY 2FG 2FM 2FA 2FQ 2FT 2FC 2FB 2FH 2FV 2FK 2FJ 2GA 2GQ 2GT 2HU 2JU 2KU 2LU 2LG 2MU 2MF 3EU 3FC 3FB 3FH 3FV 3FK 3GU 3GF 3GS 3GP 3GL 3GD 3GY 3GG 3GM 3GA 3GQ 3GT 3GC 3GB 3GH 3GV 3GK 3GJ 3HU 3JA 3JQ 3JT 3KU 3LU 3MU 3MF 3NU 3NF 3NS 3NP 3NL 3ND 3NY 3NG 3NM 3NA 3NQ 3NT 3NC 3NB 3NH 3NV 3NK 3NJ 3PU 3PF 4TC 4UU 4VG 4WU 4WF 4XU 4XF 54U 54G 54A 54Q 54T 55U 56C 57U BDB BDH BEU BEF BES BEP BEL BED BEY BEG BEM BEA BEQ BET BEC BEB BEH BEV BEK BEJ BFU BGA BGQ BGT DBU DCU DDU DDA DDQ DDT)	24P3889	*
10	3.5" 1.44MB 2MODE diskette drive (models 17U 17F 2AU 2AF 3DU 3DF 3DF 3DS 3DY 4RG 4SG BDS BDY DAS DAY 2CU CTO A6U A7U A8U A9U 19U 1AU 18U 2DB 2DH 2EU 2EF 2EG 2FU 2FF 2FS 2FP 2FL 2FD 2FY 2FG 2FM 2FA 2FQ 2FT 2FC 2FB 2FH 2FV 2FK 2FJ 2GA 2GQ 2GT 2HU 2JU 2KU 2LU 2LG 2MU 2MF 3EU 3FC 3FB 3FH 3FV 3FK 3GU 3GF 3GS 3GP 3GL 3GD 3GY 3GG 3GM 3GA 3GQ 3GT 3GC 3GB 3GH 3GV 3GK 3GJ 3HU 3JA 3JQ 3JT 3KU 3LU 3MU 3MF 3NU 3NF 3NS 3NP 3NL 3ND 3NY 3NG 3NM 3NA 3NQ 3NT 3NC 3NB 3NH 3NV 3NK 3NJ 3PU 3PF 4TC 4UU 4VG 4WU 4WF 4XU 4XF 54U 54G 54A 54Q 54T 55U 56C 57U BDB BDH BEU BEF BES BEP BEL BED BEY BEG BEM BEA BEQ BET BEC BEB BEH BEV BEK BEJ BFU BGA BGQ BGT DBU DCU DDU DDA DDQ DDT)	40Y9105	*

Item #	8143 FRUs	FRU#	CRU
10	3.5" 1.44MB 2MODE diskette drive (models 17U 17F 2AU 2AF 3DU 3DF 3DF 3DS 3DY 4RG 4SG BDS BDY DAS DAY 2CU CTO A6U A7U A8U A9U 19U 1AU 18U 2DB 2DH 2EU 2EF 2EG 2FU 2FF 2FS 2FP 2FL 2FD 2FY 2FG 2FM 2FA 2FQ 2FT 2FC 2FB 2FH 2FV 2FK 2FJ 2GA 2GQ 2GT 2HU 2JU 2KU 2LU 2LG 2MU 2MF 3EU 3FC 3FB 3FH 3FV 3FK 3GU 3GF 3GS 3GP 3GL 3GD 3GY 3GG 3GM 3GA 3GQ 3GT 3GC 3GB 3GH 3GV 3GK 3GJ 3HU 3JA 3JQ 3JT 3KU 3LU 3MU 3MF 3NU 3NF 3NS 3NP 3NL 3ND 3NY 3NG 3NM 3NA 3NQ 3NT 3NC 3NB 3NH 3NV 3NK 3NJ 3PU 3PF 4TC 4UU 4VG 4WU 4WF 4XU 4XF 54U 54G 54A 54Q 54T 55U 56C 57U BDB BDH BEU BEF BES BEP BEL BED BEY BEG BEM BEA BEQ BET BEC BEB BEH BEV BEK BEJ BFU BGA BGQ BGT DBU DCU DDU DDA DDQ DDT)	39M0101	*
10	3.5" 1.44MB 2MODE diskette drive (models 17U 17F 2AU 2AF 3DU 3DF 3DF 3DS 3DY 4RG 4SG BDS BDY DAS DAY 2CU CTO A6U A7U A8U A9U 19U 1AU 18U 2DB 2DH 2EU 2EF 2EG 2FU 2FF 2FS 2FP 2FL 2FD 2FY 2FG 2FM 2FA 2FQ 2FT 2FC 2FB 2FH 2FV 2FK 2FJ 2GA 2GQ 2GT 2HU 2JU 2KU 2LU 2LG 2MU 2MF 3EU 3FC 3FB 3FH 3FV 3FK 3GU 3GF 3GS 3GP 3GL 3GD 3GY 3GG 3GM 3GA 3GQ 3GT 3GC 3GB 3GH 3GV 3GK 3GJ 3HU 3JA 3JQ 3JT 3KU 3LU 3MU 3MF 3NU 3NF 3NS 3NP 3NL 3ND 3NY 3NG 3NM 3NA 3NQ 3NT 3NC 3NB 3NH 3NV 3NK 3NJ 3PU 3PF 4TC 4UU 4VG 4WU 4WF 4XU 4XF 54U 54G 54A 54Q 54T 55U 56C 57U BDB BDH BEU BEF BES BEP BEL BED BEY BEG BEM BEA BEQ BET BEC BEB BEH BEV BEK BEJ BFU BGA BGQ BGT DBU DCU DDU DDA DDQ DDT)	40Y9113	*
11	CD-ROM Drive 48X - Black w/o jack & vol (models A6U A7U A8U A9U 19U 18U 2DB 2DH 2EU 2EF 2EG 2GA 2GQ 2GT 2MU 2MF 3FC 3FB 3FH 3FV 3FK 3GU 3GF 3GS 3GP 3GL 3GD 3GY 3GG 3GM 3GA 3GQ 3GT 3GC 3GB 3GH 3GV 3GK 3GJ 3HU 3JA 3JQ 3JT 3PU 3PF 4UU 4VG BDB BDH BEU BEF BES BEP BEL BED BEY BEG BEM BEA BEQ BET BEC BEB BEH BEV BEK BEJ BGA BGQ BGT DBU 21S 21P 21Y 31S 31P 31Y 32A 32T CTO 11U 22B 22H 24U 24F 24G 25A 25Q 25T 32U 34U 34F 34S 34P 34L 34D 34Y 34G 34M 34A 34Q 34T 34C 34B 34H 34V 34K 34R 34E 34J 35C 35B 35H 35V 35K A1U A1S A1P A1L A1Y A2U A2S A2P A2L A2Y A3U 12A 12Q 12T 12C 12B 12H 12V 13U 13F 13S 13P 13L 13Y A4K A5U A5S A5Y 15K 4HJ 4LU 4LS 4LY 4NS 4NY B2G B3J B5A B5Q B5T B6V B7K B8K BBU BBF BBS BBY D1J D4G D5A D5Q D5T D6U D6F D6S D6Y D6C D6V BCC 17U 17F 2AU 2AF 3DU 3DF 3DF 3DS 3DY 4RG)	71P7371	*
11	CD-ROM Drive 48X - Black w/o jack & vol (models A6U A7U A8U A9U 19U 18U 2DB 2DH 2EU 2EF 2EG 2GA 2GQ 2GT 2MU 2MF 3FC 3FB 3FH 3FV 3FK 3GU 3GF 3GS 3GP 3GL 3GD 3GY 3GG 3GM 3GA 3GQ 3GT 3GC 3GB 3GH 3GV 3GK 3GJ 3HU 3JA 3JQ 3JT 3PU 3PF 4UU 4VG BDB BDH BEU BEF BES BEP BEL BED BEY BEG BEM BEA BEQ BET BEC BEB BEH BEV BEK BEJ BGA BGQ BGT DBU 21S 21P 21Y 31S 31P 31Y 32A 32T CTO 11U 22B 22H 24U 24F 24G 25A 25Q 25T 32U 34U 34F 34S 34P 34L 34D 34Y 34G 34M 34A 34Q 34T 34C 34B 34H 34V 34K 34R 34E 34J 35C 35B 35H 35V 35K A1U A1S A1P A1L A1Y A2U A2S A2P A2L A2Y A3U 12A 12Q 12T 12C 12B 12H 12V 13U 13F 13S 13P 13L 13Y A4K A5U A5S A5Y 15K 4HJ 4LU 4LS 4LY 4NS 4NY B2G B3J B5A B5Q B5T B6V B7K B8K BBU BBF BBS BBY D1J D4G D5A D5Q D5T D6U D6F D6S D6Y D6C D6V BCC 17U 17F 2AU 2AF 3DU 3DF 3DF 3DS 3DY 4RG)	71P7375	*
11	CD-ROM Drive 48X - Black w/o jack & vol (models A6U A7U A8U A9U 19U 18U 2DB 2DH 2EU 2EF 2EG 2GA 2GQ 2GT 2MU 2MF 3FC 3FB 3FH 3FV 3FK 3GU 3GF 3GS 3GP 3GL 3GD 3GY 3GG 3GM 3GA 3GQ 3GT 3GC 3GB 3GH 3GV 3GK 3GJ 3HU 3JA 3JQ 3JT 3PU 3PF 4UU 4VG BDB BDH BEU BEF BES BEP BEL BED BEY BEG BEM BEA BEQ BET BEC BEB BEH BEV BEK BEJ BGA BGQ BGT DBU 21S 21P 21Y 31S 31P 31Y 32A 32T CTO 11U 22B 22H 24U 24F 24G 25A 25Q 25T 32U 34U 34F 34S 34P 34L 34D 34Y 34G 34M 34A 34Q 34T 34C 34B 34H 34V 34K 34R 34E 34J 35C 35B 35H 35V 35K A1U A1S A1P A1L A1Y A2U A2S A2P A2L A2Y A3U 12A 12Q 12T 12C 12B 12H 12V 13U 13F 13S 13P 13L 13Y A4K A5U A5S A5Y 15K 4HJ 4LU 4LS 4LY 4NS 4NY B2G B3J B5A B5Q B5T B6V B7K B8K BBU BBF BBS BBY D1J D4G D5A D5Q D5T D6U D6F D6S D6Y D6C D6V BCC 17U 17F 2AU 2AF 3DU 3DF 3DF 3DS 3DY 4RG)	71P7377	*

Item #	8143 FRUs	FRU#	CRU
11	CD-ROM Drive 48X - Black w/o jack & vol (models A6U A7U A8U A9U 19U 18U 2DB 2DH 2EU 2EF 2EG 2GA 2GQ 2GT 2MU 2MF 3FC 3FB 3FH 3FV 3FK 3GU 3GF 3GS 3GP 3GL 3GD 3GY 3GG 3GM 3GA 3GQ 3GT 3GC 3GB 3GH 3GV 3GK 3GJ 3HU 3JA 3JQ 3JT 3PU 3PF 4UU 4VG BDB BDH BEU BEF BES BEP BEL BED BEY BEG BEM BEA BEQ BET BEC BEB BEH BEV BEK BEJ BGA BGQ BGT DBU 21S 21P 21Y 31S 31P 31Y 32A 32T CTO 11U 22B 22H 24U 24F 24G 25A 25Q 25T 32U 34U 34F 34S 34P 34L 34D 34Y 34G 34M 34A 34Q 34T 34C 34B 34H 34V 34K 34R 34E 34J 35C 35B 35H 35V 35K A1U A1S A1P A1L A1Y A2U A2S A2P A2L A2Y A3U 12A 12Q 12T 12C 12B 12H 12V 13U 13F 13S 13P 13L 13Y A4K A5U A5S A5Y 15K 4HJ 4LU 4LS 4LY 4NS 4NY B2G B3J B5A B5Q B5T B6V B7K B8K BBU BBF BBS BBY D1J D4G D5A D5Q D5T D6U D6F D6S D6Y D6C D6V BCC 17U 17F 2AU 2AF 3DU 3DF 3DF 3DS 3DY 4RG)	71P7385	*
11	CD-ROM Drive 48X - Black w/o jack & vol (models A6U A7U A8U A9U 19U 18U 2DB 2DH 2EU 2EF 2EG 2GA 2GQ 2GT 2MU 2MF 3FC 3FB 3FH 3FV 3FK 3GU 3GF 3GS 3GP 3GL 3GD 3GY 3GG 3GM 3GA 3GQ 3GT 3GC 3GB 3GH 3GV 3GK 3GJ 3HU 3JA 3JQ 3JT 3PU 3PF 4UU 4VG BDB BDH BEU BEF BES BEP BEL BED BEY BEG BEM BEA BEQ BET BEC BEB BEH BEV BEK BEJ BGA BGQ BGT DBU 21S 21P 21Y 31S 31P 31Y 32A 32T CTO 11U 22B 22H 24U 24F 24G 25A 25Q 25T 32U 34U 34F 34S 34P 34L 34D 34Y 34G 34M 34A 34Q 34T 34C 34B 34H 34V 34K 34R 34E 34J 35C 35B 35H 35V 35K A1U A1S A1P A1L A1Y A2U A2S A2P A2L A2Y A3U 12A 12Q 12T 12C 12B 12H 12V 13U 13F 13S 13P 13L 13Y A4K A5U A5S A5Y 15K 4HJ 4LU 4LS 4LY 4NS 4NY B2G B3J B5A B5Q B5T B6V B7K B8K BBU BBF BBS BBY D1J D4G D5A D5Q D5T D6U D6F D6S D6Y D6C D6V BCC 17U 17F 2AU 2AF 3DU 3DF 3DF 3DS 3DY 4RG)	39M3511	*
11	CD-ROM Drive 48X - Black w/o jack & vol (models 17U 17F 2AU 2AF 3DU 3DF 3DF 3DS 3DY 4RG CTO A6U A7U A8U A9U 19U 18U 2DB 2DH 2EU 2EF 2EG 2GA 2GQ 2GT 2MU 2MF 3FC 3FB 3FH 3FV 3FK 3GU 3GF 3GS 3GP 3GL 3GD 3GY 3GG 3GM 3GA 3GQ 3GT 3GC 3GB 3GH 3GV 3GK 3GJ 3HU 3JA 3JQ 3JT 3PU 3PF 4UU 4VG BDB BDH BEU BEF BES BEP BEL BED BEY BEG BEM BEA BEQ BET BEC BEB BEH BEV BEK BEJ BGA BGQ BGT DBU)	26K5445	*
11	CD-ROM Drive 48X - Black w/o jack & vol (models 17U 17F 2AU 2AF 3DU 3DF 3DF 3DS 3DY 4RG CTO A6U A7U A8U A9U 19U 18U 2DB 2DH 2EU 2EF 2EG 2GA 2GQ 2GT 2MU 2MF 3FC 3FB 3FH 3FV 3FK 3GU 3GF 3GS 3GP 3GL 3GD 3GY 3GG 3GM 3GA 3GQ 3GT 3GC 3GB 3GH 3GV 3GK 3GJ 3HU 3JA 3JQ 3JT 3PU 3PF 4UU 4VG BDB BDH BEU BEF BES BEP BEL BED BEY BEG BEM BEA BEQ BET BEC BEB BEH BEV BEK BEJ BGA BGQ BGT DBU)	40Y8807	*
11	DVD-ROM 16X/48X - Black (models CTO 23G 36G 27U 38U 38F 38S 38P 38L 38D 38Y 38G 38M 38A 38Q 38T 38C 38B 38H 38V 38K 38E 38J 4EC 4GU 4GF B1G D3G 4SG 2FU 2FF 2FS 2FP 2FL 2FD 2FY 2FG 2FM 2FA 2FQ 2FT 2FC 2FB 2FH 2FV 2FK 2FJ 2LU 2LG 3NU 3NF 3NS 3NP 3NL 3ND 3NY 3NG 3NM 3NA 3NQ 3NT 3NC 3NB 3NH 3NV 3NK 3NJ 4TC 4XU 4XF 54U 54G 54A 54Q 54T DDU DDA DDQ DDT)	33P3237	*
11	DVD-ROM 16X/48X - Black (models CTO 23G 36G 27U 38U 38F 38S 38P 38L 38D 38Y 38G 38M 38A 38Q 38T 38C 38B 38H 38V 38K 38E 38J 4EC 4GU 4GF B1G D3G 4SG 2FU 2FF 2FS 2FP 2FL 2FD 2FY 2FG 2FM 2FA 2FQ 2FT 2FC 2FB 2FH 2FV 2FK 2FJ 2LU 2LG 3NU 3NF 3NS 3NP 3NL 3ND 3NY 3NG 3NM 3NA 3NQ 3NT 3NC 3NB 3NH 3NV 3NK 3NJ 4TC 4XU 4XF 54U 54G 54A 54Q 54T DDU DDA DDQ DDT)	71P7357	*
11	DVD-ROM 16X/48X - Black (models CTO 23G 36G 27U 38U 38F 38S 38P 38L 38D 38Y 38G 38M 38A 38Q 38T 38C 38B 38H 38V 38K 38E 38J 4EC 4GU 4GF B1G D3G 4SG 2FU 2FF 2FS 2FP 2FL 2FD 2FY 2FG 2FM 2FA 2FQ 2FT 2FC 2FB 2FH 2FV 2FK 2FJ 2LU 2LG 3NU 3NF 3NS 3NP 3NL 3ND 3NY 3NG 3NM 3NA 3NQ 3NT 3NC 3NB 3NH 3NV 3NK 3NJ 4TC 4XU 4XF 54U 54G 54A 54Q 54T DDU DDA DDQ DDT)	26K5385	*

Item #	8143 FRUs	FRU#	CRU
11	DVD-ROM 16X/48X - Black (models CTO 27U 38U 38F 38S 38P 38L 38D 38Y 38G 38M 38A 38Q 38T 38C 38B 38H 38V 38K 38E 38J 4EC 4GU 4GF B1G D3G 4SG 2FU 2FF 2FS 2FP 2FL 2FD 2FY 2FG 2FM 2FA 2FQ 2FT 2FC 2FB 2FH 2FV 2FK 2FJ 2LU 2LG 3NU 3NF 3NS 3NP 3NL 3ND 3NY 3NG 3NM 3NA 3NQ 3NT 3NC 3NB 3NH 3NV 3NK 3NJ 4TC 4XU 4XF 54U 54G 54A 54Q 54T DDU DDA DDQ DDT)	26K5435	*
11	DVD-ROM 16X/48X - Black (models CTO 4SG 2FU 2FF 2FS 2FP 2FL 2FD 2FY 2FG 2FM 2FA 2FQ 2FT 2FC 2FB 2FH 2FV 2FK 2FJ 2LU 2LG 3NU 3NF 3NS 3NP 3NL 3ND 3NY 3NG 3NM 3NA 3NQ 3NT 3NC 3NB 3NH 3NV 3NK 3NJ 4TC 4XU 4XF 54U 54G 54A 54Q 54T DDU DDA DDQ DDT)	39M3513	*
11	DVD-ROM 16X/48X - Black (models CTO 4SG 2FU 2FF 2FS 2FP 2FL 2FD 2FY 2FG 2FM 2FA 2FQ 2FT 2FC 2FB 2FH 2FV 2FK 2FJ 2LU 2LG 3NU 3NF 3NS 3NP 3NL 3ND 3NY 3NG 3NM 3NA 3NQ 3NT 3NC 3NB 3NH 3NV 3NK 3NJ 4TC 4XU 4XF 54U 54G 54A 54Q 54T DDU DDA DDQ DDT)	39M3515	*
11	DVD-ROM 16X/48X - Black (models CTO 4SG 2FU 2FF 2FS 2FP 2FL 2FD 2FY 2FG 2FM 2FA 2FQ 2FT 2FC 2FB 2FH 2FV 2FK 2FJ 2LU 2LG 3NU 3NF 3NS 3NP 3NL 3ND 3NY 3NG 3NM 3NA 3NQ 3NT 3NC 3NB 3NH 3NV 3NK 3NJ 4TC 4XU 4XF 54U 54G 54A 54Q 54T DDU DDA DDQ DDT)	39M3517	*
11	DVD-ROM 16X/48X - Black (models CTO 4SG 2FU 2FF 2FS 2FP 2FL 2FD 2FY 2FG 2FM 2FA 2FQ 2FT 2FC 2FB 2FH 2FV 2FK 2FJ 2LU 2LG 3NU 3NF 3NS 3NP 3NL 3ND 3NY 3NG 3NM 3NA 3NQ 3NT 3NC 3NB 3NH 3NV 3NK 3NJ 4TC 4XU 4XF 54U 54G 54A 54Q 54T DDU DDA DDQ DDT)	40Y8803	*
11	DVD-ROM 16X/48X - Black (models CTO 4SG 2FU 2FF 2FS 2FP 2FL 2FD 2FY 2FG 2FM 2FA 2FQ 2FT 2FC 2FB 2FH 2FV 2FK 2FJ 2LU 2LG 3NU 3NF 3NS 3NP 3NL 3ND 3NY 3NG 3NM 3NA 3NQ 3NT 3NC 3NB 3NH 3NV 3NK 3NJ 4TC 4XU 4XF 54U 54G 54A 54Q 54T DDU DDA DDQ DDT)	40Y8811	*
11	DVD-ROM 16X/48X - Black (models CTO 4SG 2FU 2FF 2FS 2FP 2FL 2FD 2FY 2FG 2FM 2FA 2FQ 2FT 2FC 2FB 2FH 2FV 2FK 2FJ 2LU 2LG 3NU 3NF 3NS 3NP 3NL 3ND 3NY 3NG 3NM 3NA 3NQ 3NT 3NC 3NB 3NH 3NV 3NK 3NJ 4TC 4XU 4XF 54U 54G 54A 54Q 54T DDU DDA DDQ DDT)	40Y8935	*
11	CD-RW Drive (48X/32X/48X) (models CTO 14U 26S 26P 26L 26Y 37S 37P 37L 37Y BDS BDY DAS DAY 1AU)	71P7347	*
11	CD-RW Drive (48X/32X/48X) (models CTO 14U 26S 26P 26L 26Y 37S 37P 37L 37Y BDS BDY DAS DAY 1AU)	71P7349	*
11	CD-RW Drive (48X/32X/48X) (models CTO 14U 26S 26P 26L 26Y 37S 37P 37L 37Y BDS BDY DAS DAY 1AU)	26K5401	*
11	CD-RW Drive (48X/32X/48X) (models CTO 14U 26S 26P 26L 26Y 37S 37P 37L 37Y BDS BDY DAS DAY 1AU)	40Y8901	*
11	CD-RW Drive (48X/32X/48X) (models CTO 14U 26S 26P 26L 26Y 37S 37P 37L 37Y BDS BDY DAS DAY 1AU)	40Y8937	*
11	Universal Combo Drive (48x/24x/48x/16x) (models 28U 29U 39U 39A 39B 16K 3CU 3CF 4FC 4JU 4JF 4MU 4MS 4MY B4J B9K BAK D2J D7K D8K D9K)	26K5390	*
11	DVD-ROM/CD-RW Combo Drive (48x/32x/48x/16x) (models CTO 28U 29U 39U 39A 39B 16K 3CU 3CF 4FC 4JU 4JF 4MU 4MS 4MY B4J B9K BAK D2J D7K D8K D9K 2CU 2HU 2JU 2KU 3KU 3LU 3MU 3MF 4WU 4WF 56C 57U BFU DCU 2HU 2JU 2KU 3KU 3LU 3MU 3MF 4WU 4WF 56C 57U BFU DCU)	26K5379	*
11	DVD-ROM/CD-RW Combo Drive (48x/32x/48x/16x) (models CTO 28U 29U 39U 39A 39B 16K 3CU 3CF 4FC 4JU 4JF 4MU 4MS 4MY B4J B9K BAK D2J D7K D8K D9K 2CU 2HU 2JU 2KU 3KU 3LU 3MU 3MF 4WU 4WF 56C 57U BFU DCU 2HU 2JU 2KU 3KU 3LU 3MU 3MF 4WU 4WF 56C 57U BFU DCU)	26K5381	*

Item #	8143 FRUs	FRU#	CRU
11	DVD-ROM/CD-RW Combo Drive (48x/32x/48x/16x) (models CTO 28U 29U 39U 39A 39B 16K 3CU 3CF 4FC 4JU 4JF 4MU 4MS 4MY B4J B9K BAK D2J D7K D8K D9K 2CU 2HU 2JU 2KU 3KU 3LU 3MU 3MF 4WU 4WF 56C 57U BFU DCU 2HU 2JU 2KU 3KU 3LU 3MU 3MF 4WU 4WF 56C 57U BFU DCU)	26K5429	*
11	DVD-ROM/CD-RW Combo Drive (48x/32x/48x/16x) (models CTO 2CU 2HU 2JU 2KU 3KU 3LU 3MU 3MF 4WU 4WF 56C 57U BFU DCU)	39M3539	*
11	DVD-ROM/CD-RW Combo Drive (48x/32x/48x/16x) (models CTO 2CU 2HU 2JU 2KU 3KU 3LU 3MU 3MF 4WU 4WF 56C 57U BFU DCU)	40Y8781	*
11	DVD-ROM/CD-RW Combo Drive (48x/32x/48x/16x) (models CTO 2CU 2HU 2JU 2KU 3KU 3LU 3MU 3MF 4WU 4WF 56C 57U BFU DCU)	40Y8903	*
11	DVD-ROM/CD-RW Combo Drive (48x/32x/48x/16x) (models CTO 2CU 2HU 2JU 2KU 3KU 3LU 3MU 3MF 4WU 4WF 56C 57U BFU DCU)	40Y8919	*
11	Multi-Burner Plus (Rambo IV) (models CTO 4KU)	26K5383	*
11	Multi-Burner Plus (Rambo VI) (models CTO 55U)	26K5441	*
11	Multi-Burner Plus (Rambo VI) (models CTO 55U)	39M3519	*
11	Multi-Burner Plus (Rambo VI) (models CTO 55U)	40Y8909	*
11	Multi-Burner Plus (Rambo VI) (models CTO 55U)	40Y8799	*
11	Universal Rambo drive (Black) (models CTO)	26K5377	*

The FRUs listed in the following table are not illustrated.

8143 FRUs	FRU#	CRU
Speaker Asm, internal (All EXCEPT CAU CBU B5A B5Q B5T B6V CEU CFU CGU CHU CJU CKU CLU)	00N5151	*
C2 Cable Asm (models CTO 22B 22H 23G 25A 25Q 25T 32A 32T 32U 35B 35C 35H 35K 35V 36G 12A 12Q 12T 12C 12B 12H 12V 26S 26P 26L 26Y 37S 37P 37L 37Y A4K 15K 16K 4EC 4FC 4HJ 4NS 4NY B1G B3J B4J B5A B5Q B5T B6V B7K B8K B9K BAK BBU BBF BBS BBY D1J D2J D3G D5A D5Q D5T D6U D6F D6S D6Y D6C D6V D7K D8K D9K BCC 4EC 4FC BCC 17U 17F 2AU 2AF 3DU 3DF 3DF 3DS 3DY 4RG 4SG BDS BDY DAS DAY 2DB 2DH 2GA 2GQ 2GT 2LU 2LG 2MU 2MF 3FC 3FB 3FH 3FV 3FK 3HU 3JA 3JQ 3JT 3NU 3NF 3NS 3NP 3NL 3ND 3NY 3NG 3NM 3NA 3NQ 3NT 3NC 3NB 3NH 3NV 3NK 3NJ 3PU 3PF 4TC 4VG 54U 54G 54A 54Q 54T 56C BDB BDH BEU BEF BES BEP BEL BED BEY BEG BEM BEA BEQ BET BEC BEB BEH BEV BEK BEJ BFU BGA BGQ BGT DBU DCU DDU DDA DDQ DDT CHU)	09K9827	**
Shield, 5.25 Blank EMC (all models)	19K5548	*
Cable, SATA (all models)	88P5927	**
HDD Mounting Brkt Asm (all models)	88P5916	*
Cable, Second Serial Port (all models)	49P4530	**
Shield, Diskette drive EMC (all models)	26K1155	**
Cable, Optical IDE (all models)	89P6734	**
Cable, Diskette drive (all models)	26K1128	**
Cable, Front Panel USB Audio (all models)	26K1129	**
Fan Duct Asm (all models)	26K1167	*
Power Switch/LED (used with chassis PN 26K1113) (all models)	26K1119	*
Power Switch/LED (used with chassis PN 26K1160) (all models)	26K1161	*
Front Panel Card (all models)	26K1125	*

8143 FRUs	FRU#	CRU
Device Retaining Clips (all models)	13N2449	*
System board shield (all models)	89P6727	*
Miscellaneous Hardware kit (all models)	89P6737	*
Cable, 1394 Front (all models)	89P6738	**
Retention module (all models)	89P6725	*
Battery, 3.0V (all models)	33F8354	*
Universal Adapter Bracket 5.25 to 3.5-inch	32P4743	*
Mouse, PS/2 2-button (Black) (models CTO)	24P0492	*
Mouse, PS/2 - 3 Button (Ball) Wheel (models 4HJ B3J B4J D1J D2J CTO)	24P0491	*
Mouse, Optical Wheelmouse, USB 400 DPI (models 3EU 3FC 3FB 3FH 3FV 3FK 3GU 3GF 3GS 3GP 3GL 3GD 3GY 3GG 3GM 3GA 3GQ 3GT 3GC 3GB 3GH 3GV 3GK 3GJ 3HU 3JA 3JQ 3JT 3KU 3LU 3MU 3MF 3NU 3NF 3NS 3NP 3NL 3ND 3NY 3NG 3NM 3NA 3NQ 3NT 3NC 3NB 3NH 3NV 3NK 3NJ 3PU 3PF 4TC 4UU 4VG 4WU 4WF 4XU 4XF 54U 54G 54A 54Q 54T 55U 56C 57U BDB BDH BEU BEF BES BEP BEL BED BEY BEG BEM BEA BEQ BET BEC BEB BEH BEV BEK BEJ BFU BGA BGQ BGT DBU DCU DDU DDA DDQ DDT 4MY 4NS 4NY B1G B2G B5A B5Q B5T B6V B7K B8K B9K BAK BBU BBF BBS BBY D3G D4G D5A D5Q D5T D6U D6F D6S D6Y D6C D6V D7K D8K D9K BCC 17U 17F 2AU 2AF 3DU 3DF 3DF 3DS 3DY 4RG 4SG BDS BDY DAS DAY 2CU A6U A7U A8U A9U 19U 1AU 18U 2DB 2DH 2EU 2EF 2EG 2FU 2FF 2FS 2FP 2FL 2FD 2FY 2FG 2FM 2FA 2FQ 2FT 2FC 2FB 2FH 2FV 2FK 2FJ 2GA 2GQ 2GT 2HU 2JU 2KU 2LU 2LG 2MU 2MF 21S 21P 21Y 31S 31P 31Y 32A 32T CTO 11U 22B 22H 23G 24U 24F 24G 25A 25Q 25T 32U 33U 34U 34F 34S 34P 34L 34D 34Y 34G 34M 34A 34Q 34T 34C 34B 34H 34V 34K 34R 34E 34J 35C 35B 35H 35V 35K 36G A1U A1S A1P A1L A1Y A2U A2S A2P A2L A2Y A3U 12A 12Q 12T 12C 12B 12H 12V 13U 13F 13S 13P 13L 13Y 14U 26S 26P 26L 26Y 27U 28U 29U 37S 37P 37L 37Y 38U 38F 38S 38P 38L 38D 38Y 38G 38M 38A 38Q 38T 38C 38B 38H 38V 38K 38E 38J 39U 39A 39B A4K A5U A5S A5Y 15K 16K 3CU 3CF 4EC 4FC 4GU 4GF 4JU 4JF 4KU 4LU 4LS 4LY 4MU 4MS)	89P5089	*
64MB PCIe Adapter Dual VGA (models 29U 3BU 3CU 3CF 4MU 4MS 4MY B9K D8K 2KU 3MU 3MF)	19R0849	*
128MB PCIe Adapter Dual VGA, DVI-I, TV out (model 4KU 57U)	19R1452	*
PCI-E DVI-D Connection Adapter (models CTO)	19R2374	*
RJ11 Connector adapter (Spain, Ireland) (all 'G' models)	60H6043	*
RJ11 Connector adapter (Austria) (all 'G' models)	60H6045	*
RJ11 Connector adapter (Belgium) (all 'G' models)	60H6046	*
RJ11 Connector adapter (Denmark) (all 'G' models)	60H6047	*
RJ11 Connector adapter (Norway/Finland) (all 'G' models)	60H6048	*
RJ11 Connector adapter (France) (all 'G' models)	60H6049	*
RJ11 Connector adapter (Germany) (all 'G' models)	60H6050	*
RJ11 Connector adapter (UK,NZ, HK) (all 'G' models)	60H6051	*
RJ11 Connector adapter (Italy) (all 'G' models)	60H6052	*
RJ11 Connector adapter (Netherlands) (all 'G' models)	60H6053	*
RJ11 Connector adapter (Sweden) (all 'G' models)	60H6054	*
RJ11 Connector adapter (Switzerland) (all 'G' models)	60H6055	*

8143 Keyboards	FRU#	CRU
US English (models A6U A7U A8U A9U 19U 1AU 18U 2DH 2EU 2EG 2FU 2FL 2FG 2FM 2FA 2FQ 2FC 2FH 2GA 2GQ 2HU 2JU 2KU 2LU 2LG 2MU 3EU 3FC 3FH 3GU 3GL 3GG 3GM 3GA 3GQ 3GC 3GH 3HU 3JA 3JQ 3KU 3LU 3MU 3NU 3NL 3NG 3NM 3NA 3NQ 3NC 3NH 3PU 4TC 4UU 4VG 4WU 4XU 54U 54G 54A 54Q 55U 56C 57U BDH BEU BEL BEG BEM BEA BEQ BEC BEH BFU BGA BGQ DBU DCU DDU DDA DDQ 32A CTO 11U 22H 23G 24U 24G 25A 25Q 32U 33U 34U 34L 34G 34M 34A 34Q 34C 34H 34R 34E 35C 35H 36G A1U A1L A2U A2L A3U 12A 12Q 12C 12H 13U 13L 14U 26L 27U 28U 29U 37L 38U 38L 38G 38M 38A 38Q 38C 38H 38E 39U 39A A5U 3CU 4EC 4FC 4GU 4JU 4KU 4LU 4MU B1G B2G B5A B5Q BBU D3G D4G D5A D5Q D6U D6C BCC 17U 4RG 4SG 2CU)	89P8300	*
Arabic (models CTO-G 23G 24G 34G 36G 38G B1G B2G D3G D4G 4RG 4SG 2EG 2FG 2LG 3GG 3NG 4VG 54G BEG)	89P8301	*
Belgian/French (models CTO-G 23G 24G 34G 36G 38G B1G B2G D3G D4G 4RG 4SG 2EG 2FG 2LG 3GG 3NG 4VG 54G BEG)	89P8302	*
Belgian/UK (models CTO-G 23G 24G 34G 36G 38G B1G B2G D3G D4G 4RG 4SG 2EG 2FG 2LG 3GG 3NG 4VG 54G BEG)	89P8303	*
Bulgarian (models CTO-G 23G 24G 34G 36G 38G B1G B2G D3G D4G 4RG 4SG 2EG 2FG 2LG 3GG 3NG 4VG 54G BEG)	89P8305	*
Chinese/US (models 22B 34B 34V 35B 35V 12B 12V 38B 38V 39B B6V D6V 2DB 2FB 2FV 3FB 3FV 3GB 3GV 3NB 3NV BDB BEB BEV)	89P8306	*
Czech (models CTO-G 23G 24G 34G 36G 38G B1G B2G D3G D4G 4RG 4SG 2EG 2FG 2LG 3GG 3NG 4VG 54G BEG)	89P8307	*
Danish (models CTO-G 23G 24G 34G 36G 38G B1G B2G D3G D4G 4RG 4SG 2EG 2FG 2LG 3GG 3NG 4VG 54G BEG)	89P8308	*
Dutch (models CTO-G 23G 24G 34G 36G 38G B1G B2G D3G D4G 4RG 4SG 2EG 2FG 2LG 3GG 3NG 4VG 54G BEG)	89P8309	*
French (models CTO-G 23G 24G 34G 36G 38G B1G B2G D3G D4G 4RG 4SG 2EG 2FG 2LG 3GG 3NG 4VG 54G BEG)	89P8310	*
French Canadian 445 (models CTO-U 24F 34F 13F 38F 3CF 4GF 4JF BBF D6F 17F 2EF 2FF 2MF 3GF 3MF 3NF 3PF 4WF 4XF BEF)	89P8311	*
French Canadian 58 (models CTO-U 24F 34F 13F 38F 3CF 4GF 4JF BBF D6F 17F 2EF 2FF 2MF 3GF 3MF 3NF 3PF 4WF 4XF BEF)	89P8312	*
German (models CTO-G 23G 24G 34G 36G 38G B1G B2G D3G D4G 4RG 4SG 2EG 2FG 2LG 3GG 3NG 4VG 54G BEG)	89P8313	*
Greek (models CTO-G 23G 24G 34G 36G 38G B1G B2G D3G D4G 4RG 4SG 2EG 2FG 2LG 3GG 3NG 4VG 54G BEG)	89P8314	*
Hebrew (models CTO-G 23G 24G 34G 36G 38G B1G B2G D3G D4G 4RG 4SG 2EG 2FG 2LG 3GG 3NG 4VG 54G BEG)	89P8315	*
Hungarian (models CTO-G 23G 24G 34G 36G 38G B1G B2G D3G D4G 4RG 4SG 2EG 2FG 2LG 3GG 3NG 4VG 54G BEG)	89P8316	*
Iceland (models CTO-G 23G 24G 34G 36G 38G B1G B2G D3G D4G 4RG 4SG 2EG 2FG 2LG 3GG 3NG 4VG 54G BEG)	89P8317	*
Italian 141 (models CTO-G 23G 24G 34G 36G 38G B1G B2G D3G D4G 4RG 4SG 2EG 2FG 2LG 3GG 3NG 4VG 54G BEG)	89P8318	*
Italian 142 (models CTO-G 23G 24G 34G 36G 38G B1G B2G D3G D4G 4RG 4SG 2EG 2FG 2LG 3GG 3NG 4VG 54G BEG)	89P8319	*
Japanese (models 34J 38J 4HJ B3J B4J D1J D2J 2FJ 3GJ 3NJ BEJ)	89P8320	*
Korean (models 34K 35K 38K A4K 15K 16K B7K B8K B9K BAK D7K D8K D9K 2FK 3FK 3GK 3NK BEK)	89P8321	*

8143 Keyboards	FRU#	CRU
LA Spanish (models 21S 21Y 31S 31Y 34S 34D 34Y A1S A1Y A2S A2Y 13S 13Y 26S 26Y 37S 37Y 38S 38D 38Y A5S A5Y 4LS 4LY 4MS 4MY 4NS 4NY BBS BBY D6S D6Y CTO-L BDS BDY DAS DAY 2FS 2FD 2FY 3GS 3GD 3GY 3NS 3ND 3NY BES BED BEY)	89P8322	*
Norwegian (models CTO-G 23G 24G 34G 36G 38G B1G B2G D3G D4G 4RG 4SG 2EG 2FG 2LG 3GG 3NG 4VG 54G BEG)	89P8323	*
Polish (models CTO-G 23G 24G 34G 36G 38G B1G B2G D3G D4G 4RG 4SG 2EG 2FG 2LG 3GG 3NG 4VG 54G BEG)	89P8324	*
Portuguese (models CTO-G 23G 24G 34G 36G 38G B1G B2G D3G D4G 4RG 4SG 2EG 2FG 2LG 3GG 3NG 4VG 54G BEG)	89P8325	*
Romanian (models CTO-G 23G 24G 34G 36G 38G B1G B2G D3G D4G 4RG 4SG 2EG 2FG 2LG 3GG 3NG 4VG 54G BEG)	89P8326	*
Russian (models CTO-G 23G 24G 34G 36G 38G B1G B2G D3G D4G 4RG 4SG 2EG 2FG 2LG 3GG 3NG 4VG 54G BEG)	89P8327	*
Russian/Cyrillic (models CTO-G 23G 24G 34G 36G 38G B1G B2G D3G D4G 4RG 4SG 2EG 2FG 2LG 3GG 3NG 4VG 54G BEG)	89P8328	*
Serbian/Cyrillic (models CTO-G 23G 24G 34G 36G 38G B1G B2G D3G D4G 4RG 4SG 2EG 2FG 2LG 3GG 3NG 4VG 54G BEG)	89P8329	*
Slovak (models CTO-G 23G 24G 34G 36G 38G B1G B2G D3G D4G 4RG 4SG 2EG 2FG 2LG 3GG 3NG 4VG 54G BEG)	89P8330	*
Spanish (models CTO-G 23G 24G 34G 36G 38G B1G B2G D3G D4G 4RG 4SG 2EG 2FG 2LG 3GG 3NG 4VG 54G BEG)	89P8331	*
Swedish/Finn (models CTO-G 23G 24G 34G 36G 38G B1G B2G D3G D4G 4RG 4SG 2EG 2FG 2LG 3GG 3NG 4VG 54G BEG)	89P8332	*
Swiss F/G (models CTO-G 23G 24G 34G 36G 38G B1G B2G D3G D4G 4RG 4SG 2EG 2FG 2LG 3GG 3NG 4VG 54G BEG)	89P8333	*
Thailand (models 32T 25T 34T 12T 38T B5T D5T CTO-A 2FT 2GT 3GT 3JT 3NT 54T BET BGT DDT)	89P8334	*
Turkish 440 (models CTO-G 23G 24G 34G 36G 38G B1G B2G D3G D4G 4RG 4SG 2EG 2FG 2LG 3GG 3NG 4VG 54G BEG)	89P8335	*
Turkish 179 (models CTO-G 23G 24G 34G 36G 38G B1G B2G D3G D4G 4RG 4SG 2EG 2FG 2LG 3GG 3NG 4VG 54G BEG)	89P8336	*
UK English (models CTO-G 23G 24G 34G 36G 38G B1G B2G D3G D4G 4RG 4SG 2EG 2FG 2LG 3GG 3NG 4VG 54G BEG)	89P8337	*
US Euro (models CTO-G 23G 24G 34G 36G 38G B1G B2G D3G D4G 4RG 4SG 2EG 2FG 2LG 3GG 3NG 4VG 54G BEG)	89P8338	*
Yugoslav/Latin (models CTO-G 23G 24G 34G 36G 38G B1G B2G D3G D4G 4RG 4SG 2EG 2FG 2LG 3GG 3NG 4VG 54G BEG)	89P8339	*
Brazil/Portugese (models 21P 31P 34P A1P A2P 13P 26P 37P 38P CTO-L 2FP 3GP 3NP BEP)	89P8304	*

8143 Fingerprint Keyboards	FRU#	CRU
US English (models 2AU 3DU)	89P9000	*
French Canadian 445 (models 2AF 3DF 3DF)	89P9012	*
French Canadian 58 (models 2AF 3DF 3DF)	89P9013	*
LA Spanish (models 3DS 3DY)	89P9022	*



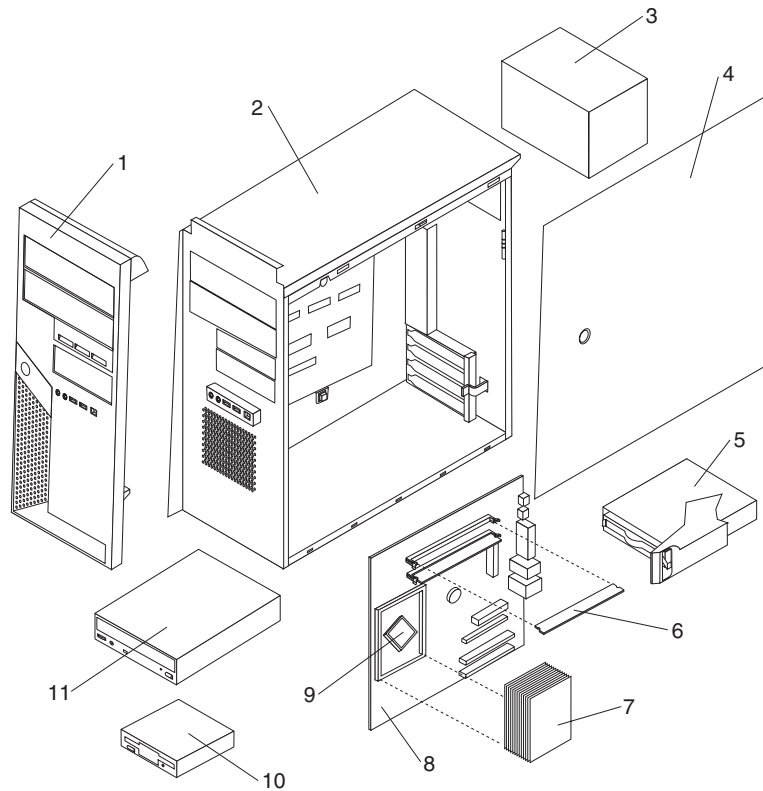
8143 Power Cords	FRU#	CRU
Power cord (models 21S 21P 31S 31P 32A 32T 11U 23G 24U 24F 24G 25A 25T 32U 33U 34U 34F 34S 34P 34L 34D 34G 34A 34T 34V 35V 36G CAU CBU A1U A1S A1P A1L A2U A2S A2P A2L A3U 12A 12T 12V 13U 13F 13S 13P 13L 14U 26S 26P 26L 27U 28U 29U 37S 37P 37L 38U 38F 38S 38P 38L 38D 38G 38A 38T 38V 39U 39A CCU A5U A5S 3CU 3CF 4GU 4GF 4JU 4JF 4KU 4LU 4LS 4MU 4MS 4NS B1G B2G B5A B5T B6V BBU BBF BBS D3G D4G D5A D5T D6U D6F D6S D6V CEU CFU 17U 17F 2AU 2AF 3DU 3DF 3DF 3DS 4RG 4SG BDS DAS 2CU A6U A7U A8U A9U 19U 1AU 18U 2EU 2EF 2EG 2FU 2FF 2FS 2FP 2FL 2FD 2FG 2FA 2FT 2FV 2GA 2GT 2HU 2JU 2KU 2LU 2LG 2MU 2MF 3EU 3FV 3GU 3GF 3GS 3GP 3GL 3GD 3GG 3GA 3GT 3GV 3HU 3JA 3JT 3KU 3LU 3MU 3MF 3NU 3NF 3NS 3NP 3NL 3ND 3NG 3NA 3NT 3NV 3PU 3PF 4UU 4VG 4WU 4WF 4XU 4XF 54U 54G 54A 54T 55U 57U BEU BEF BES BEP BEL BED BEG BEA BET BEV BFU BGA BGT DBU DCU DDU DDA DDT CGU CHU CJU CKU CLU)	6952301	*
Power cord (ANZ) (models 34M 38M 2FM 3GM 3NM BEM)	13F9939	*
Power cord (EMEA, ANZ, ASEAN Eng, Korea) (models 23G 24G 34G 34K 34R 35K 36G 38G 38K A4K 15K 16K B1G B2G B7K B8K B9K BAK D3G D4G D7K D8K D9K 4RG 4SG 2EG 2FG 2FK 2LG 3FK 3GG 3GK 3NG 3NK 4VG 54G BEG BEK)	13F9978	*
Power cord (EMEA, ANZ, ASEAN Eng, HK Eng) (models 22H 23G 24G 34G 34H 35H 36G 12H 38G 38H B1G B2G D3G D4G 4RG 4SG 2DH 2EG 2FG 2FH 2LG 3FH 3GG 3GH 3NG 3NH 4VG 54G BDH BEG BEH)	14F0032	*
Power cord (EMEA) (models 23G 24G 34G 36G 38G B1G B2G D3G D4G 4RG 4SG 2EG 2FG 2LG 3GG 3NG 4VG 54G BEG)	13F9996	*
Power cord (EMEA, LA) (models 21S 21P 21Y 31S 31P 31Y 23G 24G 34S 34P 34L 34D 34Y 34G 36G A1S A1P A1L A1Y A2S A2P A2L A2Y 13S 13P 13L 13Y 26S 26P 26L 26Y 37S 37P 37L 37Y 38S 38P 38L 38D 38Y 38G A5S A5Y 4LS 4LY 4MS 4MY 4NS 4NY B1G B2G BBS BBY D3G D4G D6S D6Y 3DS 3DY 4RG 4SG BDS BDY DAS DAY 2EG 2FS 2FP 2FL 2FD 2FY 2FG 2LG 3GS 3GP 3GL 3GD 3GY 3GG 3NS 3NP 3NL 3ND 3NY 3NG 4VG 54G BES BEP BEL BED BEY BEG)	14F0068	*
Power cord (APU) (models 21Y 31Y 34Y A1Y A2Y 13Y 26Y 37Y 38Y A5Y 4LY 4MY 4NY BBY D6Y 3DY BDY DAY 2FY 3GY 3NY BEY)	36L8879	*
Power cord (Japan) (models 2FJ 3GJ 3NJ BEJ)	05K2876	*
Power cord (China, HK) (models 22B 22H 34C 34B 34H 35C 35B 35H 12C 12B 12H 38C 38B 38H 39B 4EC 4FC D6C BCC 2DB 2DH 2FC 2FB 2FH 3FC 3FB 3FH 3GC 3GB 3GH 3NC 3NB 3NH 4TC 56C BDB BDH BEC BEB BEH)	02K0545	*
Power cord (EMEA) (models 23G 24G 34G 36G 38G B1G B2G D3G D4G 4RG 4SG 2EG 2FG 2LG 3GG 3NG 4VG 54G BEG)	14F0086	*
Power cord (EMEA, ANZ, ASEAN Eng) (models CTO-G 23G 24G 34G 36G 38G B1G B2G D3G D4G 4RG 4SG 2EG 2FG 2LG 3GG 3NG 4VG 54G BEG)	14F0014	*
Power cord (EMEA) (models CTO-G 23G 24G 34G 36G 38G B1G B2G D3G D4G 4RG 4SG 2EG 2FG 2LG 3GG 3NG 4VG 54G BEG)	14F0050	*
Power cord (India) (models 25Q 34Q 12Q 38Q B5Q D5Q 2FQ 2GQ 3GQ 3JQ 3NQ 54Q BEQ BGQ DDQ)	49P2078	*

8143 Windows XP Home Recovery CDs	FRU #	CRU
KR (models A4K 15K 16K B7K B8K B9K D7K D8K)	30R4698	*

8143 Windows XP Pro Recovery CDs	FRU #	CRU
US (models 32A 32T 11U 22H 23G 24U 24G 25A 25Q 25T 32U 33U 34U 34L 34G 34M 34A 34Q 34T 34H 34R 34E 35H 36G CAU CBU A1U A1L A2U A2L A3U 12A 12Q 12T 12H 13U 13L 14U 26L 27U 28U 29U 37L 38U 38L 38M 38A 38Q 38T 38H 38E 39U 39A A5U 3CU 4GU 4JU 4KU 4LU 4MU B5A B5Q B5T BBU D5A D5Q D5T D6U 17U 2AU 3DU 2CU A6U A7U A8U A9U 19U 1AU 18U 2DH 2EU 2FU 2FL 2FM 2FA 2FQ 2FT 2FH 2GA 2GQ 2GT 2HU 2JU 2KU 2LU 2MU 3EU 3FH 3GU 3GL 3GM 3GA 3GQ 3GT 3GH 3HU 3JA 3JQ 3JT 3KU 3LU 3MU 3NU 3NL 3NM 3NA 3NQ 3NT 3NH 3PU 4UU 4WU 4XU 54U 54A 54Q 54T 55U 57U BDH BEU BEL BEM BEA BEQ BET BEH BFU BGA BGQ BGT DBU DCU DDU DDA DDQ DDT)	39J6597	*
FR (models 23G 24F 24G 34F 34G 36G 13F 38F 38G 3CF 4GF 4JF B1G B2G BBF D3G D4G D6F 17F 2AF 3DF 3DF 4RG 4SG 2EF 2EG 2FF 2FG 2LG 2MF 3GF 3GG 3MF 3NF 3NG 3PF 4VG 4WF 4XF 54G BEF BEG)	39J6598	*
GR (models 23G 24G 34G 36G 38G B1G B2G D3G D4G 4RG 4SG 2EG 2FG 2LG 3GG 3NG 4VG 54G BEG)	39J6599	*
IT (models 23G 24G 34G 36G 38G B1G B2G D3G D4G 4RG 4SG 2EG 2FG 2LG 3GG 3NG 4VG 54G BEG)	39J6601	*
SP (models 23G 24G 34G 36G 38G A5S A5Y 4LS 4LY 4MS 4MY 4NS 4NY B1G B2G BBS BBY D3G D4G D6S D6Y 3DS 3DY 4RG 4SG BDS BDY DAS DAY 21S 21Y 31S 31Y 23G 24G 34S 34D 34Y 34G 36G A1S A1Y A2S A2Y 13S 13Y 26S 26Y 37S 37Y 38S 38D 38Y 38G 2EG 2FS 2FD 2FY 2FG 2LG 3GS 3GD 3GY 3GG 3NS 3ND 3NY 3NG 4VG 54G BES BED BEY BEG)	39J6600	*
BR (models 21P 31P 34P A1P A2P 13P 26P 37P 38P 2FP 3GP 3NP BEP)	39J6602	*
SV (models 23G 24G 34G 36G 38G B1G B2G D3G D4G 4RG 4SG 2EG 2FG 2LG 3GG 3NG 4VG 54G BEG)	39J6603	*
DK (models 23G 24G 34G 36G 38G B1G B2G D3G D4G 4RG 4SG 2EG 2FG 2LG 3GG 3NG 4VG 54G BEG)	39J6604	*
NL (models 23G 24G 34G 36G 38G B1G B2G D3G D4G 4RG 4SG 2EG 2FG 2LG 3GG 3NG 4VG 54G BEG)	39J6607	*
HE (models 23G 24G 34G 36G 38G B1G B2G D3G D4G 4RG 4SG 2EG 2FG 2LG 3GG 3NG 4VG 54G BEG)	39J6608	*
FI (models 23G 24G 34G 36G 38G B1G B2G D3G D4G 4RG 4SG 2EG 2FG 2LG 3GG 3NG 4VG 54G BEG)	39J6605	*
NO (models 23G 24G 34G 36G 38G B1G B2G D3G D4G 4RG 4SG 2EG 2FG 2LG 3GG 3NG 4VG 54G BEG)	39J6606	*
PL (models 23G 24G 34G 36G 38G B1G B2G D3G D4G 4RG 4SG 2EG 2FG 2LG 3GG 3NG 4VG 54G BEG)	39J6609	*
AE (models 23G 24G 34G 36G 38G B1G B2G D3G D4G 4RG 4SG 2EG 2FG 2LG 3GG 3NG 4VG 54G BEG)	39J6611	*
RU (models 23G 24G 34G 36G 38G B1G B2G D3G D4G 4RG 4SG 2EG 2FG 2LG 3GG 3NG 4VG 54G BEG)	41D1198	*
RU English (models 23G 24G 34G 36G 38G B1G B2G D3G D4G 4RG 4SG 2EG 2FG 2LG 3GG 3NG 4VG 54G BEG)	41D1223	*
PO (models 23G 24G 34G 36G 38G B1G B2G D3G D4G 4RG 4SG 2EG 2FG 2LG 3GG 3NG 4VG 54G BEG)	39J6615	*
HU (models 23G 24G 34G 36G 38G B1G B2G D3G D4G 4RG 4SG 2EG 2FG 2LG 3GG 3NG 4VG 54G BEG)	39J6614	*
CZ (models 23G 24G 34G 36G 38G B1G B2G D3G D4G 4RG 4SG 2EG 2FG 2LG 3GG 3NG 4VG 54G BEG)	39J6610	*
TR (models 23G 24G 34G 36G 38G B1G B2G D3G D4G 4RG 4SG 2EG 2FG 2LG 3GG 3NG 4VG 54G BEG)	39J6602	*

8143 Windows XP Pro Recovery CDs	FRU #	CRU
GK (models 23G 24G 34G 36G 38G B1G B2G D3G D4G 4RG 4SG 2EG 2FG 2LG 3GG 3NG 4VG 54G BEG)	39J6616	*
SL (models 23G 24G 34G 36G 38G B1G B2G D3G D4G 4RG 4SG 2EG 2FG 2LG 3GG 3NG 4VG 54G BEG)	39J6617	*
JP (models 34J 38J 4HJ B3J B4J D1J D2J 2FJ 3GJ 3NJ BEJ)	30R4762	*
CS (models 34C 35C 12C 38C 4EC 4FC D6C BCC 2FC 3FC 3GC 3NC 4TC 56C BEC)	30R4741	*
TW (models 34V 35V 12V 38V B6V D6V 2FV 3FV 3GV 3NV BEV)	30R4748	*
HK (models 22B 34B 35B 12B 38B 39B 2DB 2FB 3FB 3GB 3NB BDB BEB)	30R4755	*
KR (models 34K 35K 38K BAK D9K 2FK 3FK 3GK 3NK BEK)	30R4734	*
Multilingual 1 (models 23G 24G 34G 36G 38G B1G B2G D3G D4G 4RG 4SG 2EG 2FG 2LG 3GG 3NG 4VG 54G BEG)	39J6215	*
Multilingual 2 (models 23G 24G 34G 36G 38G B1G B2G D3G D4G 4RG 4SG 2EG 2FG 2LG 3GG 3NG 4VG 54G BEG)	39J6216	*

# Machine Type 8144



Item #	8144 FRUs	FRU#	CRU
1	Bezel (all models)	26K1116	*
2	Chassis Asm (subd from 26K1113) (all models)	26K1160	**
3	Power Supply 310 Watt (models CTO 35U 35F 35G 35M 35A 35T 35K 35E 35J 38U 38F 38G 38M 38A 38T 38K 38E 38J 39U 39F 39G 39M 39A 39T 39K 39R 39E 39J 2FU 2FF 2FG 2FM 2FA 2FT 2FK 2FJ 2GA 2GT 3GU 3GF 3GG 3GM 3GA 3GT 3GK 3GJ 3HT 3HK 3NU 3NF 3NG 3NM 3NA 3NT 3NK 3NJ BEU BEF BEG BEM BEA BET BEK BEJ)	24R2574	**
3	Power Supply 310 Watt (China) (models 35S 35P 35L 35D 35Y 35Q 35C 35B 35H 35V 38S 38P 38L 38D 38Y 38Q 38C 38B 38H 38V 39S 39P 39D 39Y 39Q 39C 39B 39H 39V CTO-A CTO-L 2FS 2FP 2FL 2FD 2FY 2FQ 2FC 2FB 2FH 2FV 2GQ 3GS 3GP 3GL 3GD 3GY 3GQ 3GC 3GB 3GH 3GV 3HQ 3HC 3HB 3HH 3HV 3NS 3NP 3NL 3ND 3NY 3NQ 3NC 3NB 3NH 3NV BES BEP BEL BED BEY BEQ BEC BEB BEH BEV)	24R2578	**
4	Cover Asm (all models)	26K1115	**
5	HDD 40GB 7200 rpm Serial ATA (models 35U 35F 35S 35P 35L 35D 35Y 35G 35M 35A 35Q 35T 35C 35B 35H 35V 35K 35E 35J CTO 39U 39F 39S 39P 39D 39Y 39G 39M 39A 39Q 39T 39C 39B 39H 39V 39K 39R 39E 39J)	71P7312	*
5	HDD 40GB 7200 rpm Serial ATA (models 35U 35F 35S 35P 35L 35D 35Y 35G 35M 35A 35Q 35T 35C 35B 35H 35V 35K 35E 35J CTO 39U 39F 39S 39P 39D 39Y 39G 39M 39A 39Q 39T 39C 39B 39H 39V 39K 39R 39E 39J 2FU 2FF 2FS 2FP 2FL 2FD 2FY 2FG 2FM 2FA 2FQ 2FT 2FC 2FB 2FH 2FV 2FK 2FJ 3GU 3GF 3GS 3GP 3GL 3GD 3GY 3GG 3GM 3GA 3GQ 3GT 3GC 3GB 3GH 3GV 3GK 3GJ)	40Y8760	*

Item #	8144 FRUs	FRU#	CRU
5	HDD 40GB 7200 rpm Serial ATA (models 35U 35F 35S 35P 35L 35D 35Y 35G 35M 35A 35Q 35T 35C 35B 35H 35V 35K 35E 35J CTO 39U 39F 39S 39P 39D 39Y 39G 39M 39A 39Q 39T 39C 39B 39H 39V 39K 39R 39E 39J 2FU 2FF 2FS 2FP 2FL 2FD 2FY 2FG 2FM 2FA 2FQ 2FT 2FC 2FB 2FH 2FV 2FK 2FJ 3GU 3GF 3GS 3GP 3GL 3GD 3GY 3GG 3GM 3GA 3GQ 3GT 3GC 3GB 3GH 3GV 3GK 3GJ)	40Y9033	*
5	HDD 80GB 7200 rpm Serial ATA (models 38U 38F 38S 38P 38L 38D 38Y 38G 38M 38A 38Q 38T 38C 38B 38H 38V 38K 38E 38J CTO)	71P7293	*
5	HDD 80GB 7200 rpm Serial ATA (models 38U 38F 38S 38P 38L 38D 38Y 38G 38M 38A 38Q 38T 38C 38B 38H 38V 38K 38E 38J CTO 2GA 2GQ 2GT 3HQ 3HT 3HC 3HB 3HH 3HV 3HK 3NU 3NF 3NS 3NP 3NL 3ND 3NY 3NG 3NM 3NA 3NQ 3NT 3NC 3NB 3NH 3NV 3NK 3NJ BEU BEF BES BEP BEL BED BEY BEG BEM BEA BEQ BET BEC BEB BEH BEV BEK BEJ)	40Y8761	*
5	HDD 80GB 7200 rpm Serial ATA (models 38U 38F 38S 38P 38L 38D 38Y 38G 38M 38A 38Q 38T 38C 38B 38H 38V 38K 38E 38J CTO 2GA 2GQ 2GT 3HQ 3HT 3HC 3HB 3HH 3HV 3HK 3NU 3NF 3NS 3NP 3NL 3ND 3NY 3NG 3NM 3NA 3NQ 3NT 3NC 3NB 3NH 3NV 3NK 3NJ BEU BEF BES BEP BEL BED BEY BEG BEM BEA BEQ BET BEC BEB BEH BEV BEK BEJ)	40Y9034	*
5	HDD 160GB 7200 rpm Serial ATA (models CT0)	71P7297	*
5	HDD 160GB 7200 rpm Serial ATA (models CT0)	40Y8762	*
5	HDD 160GB 7200 rpm Serial ATA (models CT0)	40Y9035	*
6	256MB PC2 3200 Memory (DDR1) (models CTO 35U 35F 35S 35P 35L 35D 35Y 35G 35M 35A 35Q 35T 35C 35B 35H 35V 35K 35E 35J 38U 38F 38S 38P 38L 38D 38Y 38G 38M 38A 38Q 38T 38C 38B 38H 38V 38K 38E 38J)	73P2683	*
6	512MB PC2 3200 Memory (DDR1) (models CTO)	73P2684	*
6	256MB PC2 3200 Memory (400mhz DDR2) (models CTO 39U 39F 39S 39P 39D 39Y 39G 39M 39A 39Q 39T 39C 39B 39H 39V 39K 39R 39E 39J 2FU 2FF 2FS 2FP 2FL 2FD 2FY 2FG 2FM 2FA 2FQ 2FT 2FC 2FB 2FH 2FV 2FK 2FJ 2GA 2GQ 2GT 3GU 3GF 3GS 3GP 3GL 3GD 3GY 3GG 3GM 3GA 3GQ 3GT 3GC 3GB 3GH 3GV 3GK 3GJ 3HQ 3HT 3HC 3HB 3HH 3HV 3HK 3NU 3NF 3NS 3NP 3NL 3ND 3NY 3NG 3NM 3NA 3NQ 3NT 3NC 3NB 3NH 3NV 3NK 3NJ BEU BEF BES BEP BEL BED BEY BEG BEM BEA BEQ BET BEC BEB BEH BEV BEK BEJ)	73P3220	*
6	512MB PC2 3200 Memory (400mhz DDR2) (models CTO)	73P3222	*
6	1024MB PC2 3200 Memory (400mhz DDR2) (models CTO)	73P3224	*
7	Heat sink (models CTO 35U 35F 35S 35P 35L 35D 35Y 35G 35M 35A 35Q 35T 35C 35B 35H 35V 35K 35E 35J 38U 38F 38S 38P 38L 38D 38Y 38G 38M 38A 38Q 38T 38C 38B 38H 38V 38K 38E 38J 39U 39F 39S 39P 39D 39Y 39G 39M 39A 39Q 39T 39C 39B 39H 39V 39K 39R 39E 39J)	89P6729	**
8	System board 10/1000 w/ POV (models CTO 35U 35F 35S 35P 35L 35D 35Y 35G 35M 35A 35Q 35T 35C 35B 35H 35V 35K 35E 35J 38U 38F 38S 38P 38L 38D 38Y 38G 38M 38A 38Q 38T 38C 38B 38H 38V 38K 38E 38J 39U 39F 39S 39P 39D 39Y 39G 39M 39A 39Q 39T 39C 39B 39H 39V 39K 39R 39E 39J 2FU 2FF 2FS 2FP 2FL 2FD 2FY 2FG 2FM 2FA 2FQ 2FT 2FC 2FB 2FH 2FV 2FK 2FJ 2GA 2GQ 2GT 3GU 3GF 3GS 3GP 3GL 3GD 3GY 3GG 3GM 3GA 3GQ 3GT 3GC 3GB 3GH 3GV 3GK 3GJ 3HQ 3HT 3HC 3HB 3HH 3HV 3HK 3NU 3NF 3NS 3NP 3NL 3ND 3NY 3NG 3NM 3NA 3NQ 3NT 3NC 3NB 3NH 3NV 3NK 3NJ BEU BEF BES BEP BEL BED BEY BEG BEM BEA BEQ BET BEC BEB BEH BEV BEK BEJ)	41X2839	**
9	2.53 GHZ Celeron Prescott P4 (models CTO)	29R7215	**
9	2.66 GHZ Celeron Prescott P4 (models CTO)	29R7217	**
9	2.8 GHZ Celeron Prescott P4 (models CTO)	29R7219	**
9	2.93 GHZ Celeron Prescott P4 (models CTO)	29R7221	**
9	3.06 GHZ Celeron Prescott P4 (models CTO)	29R8208	**

Item #	8144 FRUs	FRU#	CRU
9	2.53GHZ Celeron Prescott P4 326 (models CTO)	39J9397	**
9	2.66 GHZ Celeron Prescott P4 331 (models CTO)	39J9399	**
9	2.8 GHZ Celeron Prescott P4 336 (models CTO)	39J9401	**
9	2.93 GHZ Celeron Prescott P4 341 (models CTO)	39J9403	**
9	3.06 GHZ Celeron Prescott P4 346 (models CTO)	39J9405	**
9	3.2 GHZ Celeron Prescott P4 351 (models CTO)	41D0533	**
9	2.66 GHZ Celeron Prescott P4 (models CTO)	29R7223	**
9	2.8 GHZ Celeron Prescott P4 (models CTO)	29R8209	**
9	2.93GHZ Prescott P4 (models CTO)	29R7225	**
9	2.66GHZ Celeron Prescott P4 346 (models CTO)	41D0676	**
9	2.93GHZ Celeron Prescott P4 351 (models CTO)	41D0677	**
9	3.06GHZ Celeron Prescott P4 (models CTO)	41D0678	**
9	2.8GHZ Prescott P4 (models CTO)	19R0495	**
9	3.0GHZ Prescott P4 (models CTO 39U 39F 39S 39P 39D 39Y 39G 39M 39A 39Q 39T 39C 39B 39H 39V 39K 39R 39E 39J)	19R0496	**
9	3.2GHZ Prescott P4 (models 35U 35F 35S 35P 35L 35D 35Y 35G 35M 35A 35Q 35T 35C 35B 35H 35V 35K 35E 35J CTO 38U 38F 38S 38P 38L 38D 38Y 38G 38M 38A 38Q 38T 38C 38B 38H 38V 38K 38E 38J)	19R0497	**
9	3.4GHZ Prescott P4 (models CTO)	19R0498	**
9	3.4GHZ Prescott P4 (low-power) (models CTO)	19R3011	**
9	3.6GHZ Prescott P4 (models CTO)	19R0499	**
9	3.8GHZ Prescott P4 (models CTO)	29R8211	**
9	2.8GHZ Prescott P4 531 (models CTO)	39J9407	**
9	3.0GHZ Prescott P4 531 (models CTO 2FU 2FF 2FS 2FP 2FL 2FD 2FY 2FG 2FM 2FA 2FQ 2FT 2FC 2FB 2FH 2FV 2FK 2FJ 2GA 2GQ 2GT)	39J9409	**
9	3.2GHZ Prescott P4 541 (models CTO 3GU 3GF 3GS 3GP 3GL 3GD 3GY 3GG 3GM 3GA 3GQ 3GT 3GC 3GB 3GH 3GV 3GK 3GJ 3HQ 3HT 3HC 3HB 3HH 3HV 3HK 3NU 3NF 3NS 3NP 3NL 3ND 3NY 3NG 3NM 3NA 3NQ 3NT 3NC 3NB 3NH 3NV 3NK 3NJ)	39J9411	**
9	3.4GHZ Prescott P4 551 (models CTO)	39J9413	**
9	3.6GHZ Prescott P4 561 (models CTO)	41D0535	**
9	3.8GHZ Prescott P4 571 (models CTO)	41D0537	**
9	3.0GHZ Prescott P4 (models CTO BEU BEF BES BEP BEL BED BEY BEG BEM BEA BEQ BET BEC BEB BEH BEV BEK BEJ)	39J6589	**
9	3.2GHZ Prescott P4 (models CTO)	39J6591	**
9	3.4GHZ Prescott P4 (models CTO)	39J6593	**
9	3.6GHZ Prescott P4 (models CTO)	39J6595	**
9	3.8GHZ Prescott P4 670 (models CTO)	41D0539	**

Item #	8144 FRUs	FRU#	CRU
10	3.5" 1.44MB 2MODE diskette drive (models CTO 35U 35F 35S 35P 35L 35D 35Y 35G 35M 35A 35Q 35T 35C 35B 35H 35V 35K 35E 35J 38U 38F 38S 38P 38L 38D 38Y 38G 38M 38A 38Q 38T 38C 38B 38H 38V 38K 38E 38J 39U 39F 39S 39P 39D 39Y 39G 39M 39A 39Q 39T 39C 39B 39H 39V 39K 39R 39E 39J 2FU 2FF 2FS 2FP 2FL 2FD 2FY 2FG 2FM 2FA 2FQ 2FT 2FC 2FB 2FH 2FV 2FK 2FJ 2GA 2GQ 2GT 3GU 3GF 3GS 3GP 3GL 3GD 3GY 3GG 3GM 3GA 3GQ 3GT 3GC 3GB 3GH 3GV 3GK 3GJ 3HQ 3HT 3HC 3HB 3HH 3HV 3HK 3NU 3NF 3NS 3NP 3NL 3ND 3NY 3NG 3NM 3NA 3NQ 3NT 3NC 3NB 3NH 3NV 3NK 3NJ BEU BEF BES BEP BEL BED BEY BEG BEM BEA BEQ BET BEC BEB BEH BEV BEK BEJ)	76H4091	*
10	3.5" 1.44MB 2MODE diskette drive (models CTO 35U 35F 35S 35P 35L 35D 35Y 35G 35M 35A 35Q 35T 35C 35B 35H 35V 35K 35E 35J 38U 38F 38S 38P 38L 38D 38Y 38G 38M 38A 38Q 38T 38C 38B 38H 38V 38K 38E 38J 39U 39F 39S 39P 39D 39Y 39G 39M 39A 39Q 39T 39C 39B 39H 39V 39K 39R 39E 39J 2FU 2FF 2FS 2FP 2FL 2FD 2FY 2FG 2FM 2FA 2FQ 2FT 2FC 2FB 2FH 2FV 2FK 2FJ 2GA 2GQ 2GT 3GU 3GF 3GS 3GP 3GL 3GD 3GY 3GG 3GM 3GA 3GQ 3GT 3GC 3GB 3GH 3GV 3GK 3GJ 3HQ 3HT 3HC 3HB 3HH 3HV 3HK 3NU 3NF 3NS 3NP 3NL 3ND 3NY 3NG 3NM 3NA 3NQ 3NT 3NC 3NB 3NH 3NV 3NK 3NJ BEU BEF BES BEP BEL BED BEY BEG BEM BEA BEQ BET BEC BEB BEH BEV BEK BEJ)	40Y9107	*
10	3.5" 1.44MB 2MODE diskette drive (models CTO 35U 35F 35S 35P 35L 35D 35Y 35G 35M 35A 35Q 35T 35C 35B 35H 35V 35K 35E 35J 38U 38F 38S 38P 38L 38D 38Y 38G 38M 38A 38Q 38T 38C 38B 38H 38V 38K 38E 38J 39U 39F 39S 39P 39D 39Y 39G 39M 39A 39Q 39T 39C 39B 39H 39V 39K 39R 39E 39J 2FU 2FF 2FS 2FP 2FL 2FD 2FY 2FG 2FM 2FA 2FQ 2FT 2FC 2FB 2FH 2FV 2FK 2FJ 2GA 2GQ 2GT 3GU 3GF 3GS 3GP 3GL 3GD 3GY 3GG 3GM 3GA 3GQ 3GT 3GC 3GB 3GH 3GV 3GK 3GJ 3HQ 3HT 3HC 3HB 3HH 3HV 3HK 3NU 3NF 3NS 3NP 3NL 3ND 3NY 3NG 3NM 3NA 3NQ 3NT 3NC 3NB 3NH 3NV 3NK 3NJ BEU BEF BES BEP BEL BED BEY BEG BEM BEA BEQ BET BEC BEB BEH BEV BEK BEJ)	24P3889	*
10	3.5" 1.44MB 2MODE diskette drive (models CTO 35U 35F 35S 35P 35L 35D 35Y 35G 35M 35A 35Q 35T 35C 35B 35H 35V 35K 35E 35J 38U 38F 38S 38P 38L 38D 38Y 38G 38M 38A 38Q 38T 38C 38B 38H 38V 38K 38E 38J 39U 39F 39S 39P 39D 39Y 39G 39M 39A 39Q 39T 39C 39B 39H 39V 39K 39R 39E 39J 2FU 2FF 2FS 2FP 2FL 2FD 2FY 2FG 2FM 2FA 2FQ 2FT 2FC 2FB 2FH 2FV 2FK 2FJ 2GA 2GQ 2GT 3GU 3GF 3GS 3GP 3GL 3GD 3GY 3GG 3GM 3GA 3GQ 3GT 3GC 3GB 3GH 3GV 3GK 3GJ 3HQ 3HT 3HC 3HB 3HH 3HV 3HK 3NU 3NF 3NS 3NP 3NL 3ND 3NY 3NG 3NM 3NA 3NQ 3NT 3NC 3NB 3NH 3NV 3NK 3NJ BEU BEF BES BEP BEL BED BEY BEG BEM BEA BEQ BET BEC BEB BEH BEV BEK BEJ)	40Y9105	*
10	3.5" 1.44MB 2MODE diskette drive (models CTO 35U 35F 35S 35P 35L 35D 35Y 35G 35M 35A 35Q 35T 35C 35B 35H 35V 35K 35E 35J 38U 38F 38S 38P 38L 38D 38Y 38G 38M 38A 38Q 38T 38C 38B 38H 38V 38K 38E 38J 39U 39F 39S 39P 39D 39Y 39G 39M 39A 39Q 39T 39C 39B 39H 39V 39K 39R 39E 39J 2FU 2FF 2FS 2FP 2FL 2FD 2FY 2FG 2FM 2FA 2FQ 2FT 2FC 2FB 2FH 2FV 2FK 2FJ 2GA 2GQ 2GT 3GU 3GF 3GS 3GP 3GL 3GD 3GY 3GG 3GM 3GA 3GQ 3GT 3GC 3GB 3GH 3GV 3GK 3GJ 3HQ 3HT 3HC 3HB 3HH 3HV 3HK 3NU 3NF 3NS 3NP 3NL 3ND 3NY 3NG 3NM 3NA 3NQ 3NT 3NC 3NB 3NH 3NV 3NK 3NJ BEU BEF BES BEP BEL BED BEY BEG BEM BEA BEQ BET BEC BEB BEH BEV BEK BEJ)	39M0101	*
10	3.5" 1.44MB 2MODE diskette drive (models CTO 35U 35F 35S 35P 35L 35D 35Y 35G 35M 35A 35Q 35T 35C 35B 35H 35V 35K 35E 35J 38U 38F 38S 38P 38L 38D 38Y 38G 38M 38A 38Q 38T 38C 38B 38H 38V 38K 38E 38J 39U 39F 39S 39P 39D 39Y 39G 39M 39A 39Q 39T 39C 39B 39H 39V 39K 39R 39E 39J 2FU 2FF 2FS 2FP 2FL 2FD 2FY 2FG 2FM 2FA 2FQ 2FT 2FC 2FB 2FH 2FV 2FK 2FJ 2GA 2GQ 2GT 3GU 3GF 3GS 3GP 3GL 3GD 3GY 3GG 3GM 3GA 3GQ 3GT 3GC 3GB 3GH 3GV 3GK 3GJ 3HQ 3HT 3HC 3HB 3HH 3HV 3HK 3NU 3NF 3NS 3NP 3NL 3ND 3NY 3NG 3NM 3NA 3NQ 3NT 3NC 3NB 3NH 3NV 3NK 3NJ BEU BEF BES BEP BEL BED BEY BEG BEM BEA BEQ BET BEC BEB BEH BEV BEK BEJ)	40Y9113	*

Item #	8144 FRUs	FRU#	CRU
11	CD-ROM Drive 48X - Black w/o jack & vol (models CTO 35U 35F 35S 35P 35L 35D 35Y 35G 35M 35A 35Q 35T 35C 35B 35H 35V 35K 35E 35J 2GA 2GQ 2GT 3GU 3GF 3GS 3GP 3GL 3GD 3GY 3GG 3GM 3GA BEU BEF BES BEP BEL)	71P7371	*
11	CD-ROM Drive 48X - Black w/o jack & vol (models CTO 35U 35F 35S 35P 35L 35D 35Y 35G 35M 35A 35Q 35T 35C 35B 35H 35V 35K 35E 35J 2GA 2GQ 2GT 3GU 3GF 3GS 3GP 3GL 3GD 3GY 3GG 3GM 3GA BEU BEF BES BEP BEL)	71P7375	*
11	CD-ROM Drive 48X - Black w/o jack & vol (models CTO 35U 35F 35S 35P 35L 35D 35Y 35G 35M 35A 35Q 35T 35C 35B 35H 35V 35K 35E 35J 2GA 2GQ 2GT 3GU 3GF 3GS 3GP 3GL 3GD 3GY 3GG 3GM 3GA BEU BEF BES BEP BEL)	71P7377	*
11	CD-ROM Drive 48X - Black w/o jack & vol (models CTO 35U 35F 35S 35P 35L 35D 35Y 35G 35M 35A 35Q 35T 35C 35B 35H 35V 35K 35E 35J 2GA 2GQ 2GT 3GU 3GF 3GS 3GP 3GL 3GD 3GY 3GG 3GM 3GA BEU BEF BES BEP BEL)	71P7385	*
11	CD-ROM Drive 48X - Black w/o jack & vol (models CTO 35U 35F 35S 35P 35L 35D 35Y 35G 35M 35A 35Q 35T 35C 35B 35H 35V 35K 35E 35J 2GA 2GQ 2GT 3GU 3GF 3GS 3GP 3GL 3GD 3GY 3GG 3GM 3GA BEU BEF BES BEP BEL)	39M3511	*
11	CD-ROM Drive 48X - Black w/o jack & vol (models CTO 35U 35F 35S 35P 35L 35D 35Y 35G 35M 35A 35Q 35T 35C 35B 35H 35V 35K 35E 35J 2GA 2GQ 2GT 3GU 3GF 3GS 3GP 3GL 3GD 3GY 3GG 3GM 3GA BEU BEF BES BEP BEL)	26K5445	*
11	CD-ROM Drive 48X - Black w/o jack & vol (models CTO 35U 35F 35S 35P 35L 35D 35Y 35G 35M 35A 35Q 35T 35C 35B 35H 35V 35K 35E 35J 2GA 2GQ 2GT 3GU 3GF 3GS 3GP 3GL 3GD 3GY 3GG 3GM 3GA BEU BEF BES BEP BEL)	40Y8807	*
11	DVD-ROM 16X/48X - Black (models CTO 38U 38F 38S 38P 38L 38D 38Y 38G 38M 38A 38Q 38T 38C 38B 38H 38V 38K 38E 38J 39U 39F 39S 39P 39D 39Y 39G 39M 39A 39Q 39T 39C 39B 39H 39V 39K 39R 39E 39J 2FU 2FF 2FS 2FP 2FL 2FD 2FY 2FG 2FM 2FA 2FQ 2FT 2FC 2FB 2FH 2FV 2FK 2FJ 3HQ 3HT 3HC 3HB 3HH 3HV 3HK 3NU 3NF 3NS 3NP 3NL 3ND 3NY 3NG 3NM 3NA 3NQ 3NT 3NC 3NB 3NH 3NV 3NK 3NJ)	33P3237	*
11	DVD-ROM 16X/48X - Black (models CTO 38U 38F 38S 38P 38L 38D 38Y 38G 38M 38A 38Q 38T 38C 38B 38H 38V 38K 38E 38J 39U 39F 39S 39P 39D 39Y 39G 39M 39A 39Q 39T 39C 39B 39H 39V 39K 39R 39E 39J 2FU 2FF 2FS 2FP 2FL 2FD 2FY 2FG 2FM 2FA 2FQ 2FT 2FC 2FB 2FH 2FV 2FK 2FJ 3HQ 3HT 3HC 3HB 3HH 3HV 3HK 3NU 3NF 3NS 3NP 3NL 3ND 3NY 3NG 3NM 3NA 3NQ 3NT 3NC 3NB 3NH 3NV 3NK 3NJ)	71P7357	*
11	DVD-ROM 16X/48X - Black (models CTO 38U 38F 38S 38P 38L 38D 38Y 38G 38M 38A 38Q 38T 38C 38B 38H 38V 38K 38E 38J 39U 39F 39S 39P 39D 39Y 39G 39M 39A 39Q 39T 39C 39B 39H 39V 39K 39R 39E 39J 2FU 2FF 2FS 2FP 2FL 2FD 2FY 2FG 2FM 2FA 2FQ 2FT 2FC 2FB 2FH 2FV 2FK 2FJ 3HQ 3HT 3HC 3HB 3HH 3HV 3HK 3NU 3NF 3NS 3NP 3NL 3ND 3NY 3NG 3NM 3NA 3NQ 3NT 3NC 3NB 3NH 3NV 3NK 3NJ)	26K5385	*
11	DVD-ROM 16X/48X - Black (models CTO 38U 38F 38S 38P 38L 38D 38Y 38G 38M 38A 38Q 38T 38C 38B 38H 38V 38K 38E 38J 39U 39F 39S 39P 39D 39Y 39G 39M 39A 39Q 39T 39C 39B 39H 39V 39K 39R 39E 39J 2FU 2FF 2FS 2FP 2FL 2FD 2FY 2FG 2FM 2FA 2FQ 2FT 2FC 2FB 2FH 2FV 2FK 2FJ 3HQ 3HT 3HC 3HB 3HH 3HV 3HK 3NU 3NF 3NS 3NP 3NL 3ND 3NY 3NG 3NM 3NA 3NQ 3NT 3NC 3NB 3NH 3NV 3NK 3NJ)	26K5435	*
11	DVD-ROM 16X/48X - Black (models CTO)	39M3513	*
11	DVD-ROM 16X/48X - Black (models CTO 2FU 2FF 2FS 2FP 2FL 2FD 2FY 2FG 2FM 2FA 2FQ 2FT 2FC 2FB 2FH 2FV 2FK 2FJ 3HQ 3HT 3HC 3HB 3HH 3HV 3HK 3NU 3NF 3NS 3NP 3NL 3ND 3NY 3NG 3NM 3NA 3NQ 3NT 3NC 3NB 3NH 3NV 3NK 3NJ)	39M3515	*



Item #	8144 FRUs	FRU#	CRU
11	DVD-ROM 16X/48X - Black (models CTO 2FU 2FF 2FS 2FP 2FL 2FD 2FY 2FG 2FM 2FA 2FQ 2FT 2FC 2FB 2FH 2FV 2FK 2FJ 3HQ 3HT 3HC 3HB 3HH 3HV 3HK 3NU 3NF 3NS 3NP 3NL 3ND 3NY 3NG 3NM 3NA 3NQ 3NT 3NC 3NB 3NH 3NV 3NK 3NJ)	39M3517	*
11	DVD-ROM 16X/48X - Black (models CTO 2FU 2FF 2FS 2FP 2FL 2FD 2FY 2FG 2FM 2FA 2FQ 2FT 2FC 2FB 2FH 2FV 2FK 2FJ 3HQ 3HT 3HC 3HB 3HH 3HV 3HK 3NU 3NF 3NS 3NP 3NL 3ND 3NY 3NG 3NM 3NA 3NQ 3NT 3NC 3NB 3NH 3NV 3NK 3NJ)	40Y8803	*
11	DVD-ROM 16X/48X - Black (models CTO 2FU 2FF 2FS 2FP 2FL 2FD 2FY 2FG 2FM 2FA 2FQ 2FT 2FC 2FB 2FH 2FV 2FK 2FJ 3HQ 3HT 3HC 3HB 3HH 3HV 3HK 3NU 3NF 3NS 3NP 3NL 3ND 3NY 3NG 3NM 3NA 3NQ 3NT 3NC 3NB 3NH 3NV 3NK 3NJ)	40Y8811	*
11	DVD-ROM 16X/48X - Black (models CTO 2FU 2FF 2FS 2FP 2FL 2FD 2FY 2FG 2FM 2FA 2FQ 2FT 2FC 2FB 2FH 2FV 2FK 2FJ 3HQ 3HT 3HC 3HB 3HH 3HV 3HK 3NU 3NF 3NS 3NP 3NL 3ND 3NY 3NG 3NM 3NA 3NQ 3NT 3NC 3NB 3NH 3NV 3NK 3NJ)	40Y8935	*
11	CD-RW Drive (48X/32X/48X) (models CTO)	71P7347	*
11	CD-RW Drive (48X/32X/48X) (models CTO)	71P7349	*
11	CD-RW Drive (48X/32X/48X) (models CTO)	26K5401	*
11	CD-RW Drive (48X/32X/48X) (models CTO)	40Y8901	*
11	CD-RW Drive (48X/32X/48X) (models CTO)	40Y8937	*
11	Universal Combo Drive (48x/24x/48x/16x) (models CTO)	26K5390	*
11	DVD-ROM/CD-RW Combo Drive (48x/32x/48x/16x) (models CTO)	26K5379	*
11	DVD-ROM/CD-RW Combo Drive (48x/32x/48x/16x) (models CTO)	26K5381	*
11	DVD-ROM/CD-RW Combo Drive (48x/32x/48x/16x) (models CTO)	26K5429	*
11	DVD-ROM/CD-RW Combo Drive (48x/32x/48x/16x) (models CTO)	39M3539	*
11	DVD-ROM/CD-RW Combo Drive (48x/32x/48x/16x) (models CTO)	40Y8781	*
11	DVD-ROM/CD-RW Combo Drive (48x/32x/48x/16x) (models CTO)	40Y8903	*
11	DVD-ROM/CD-RW Combo Drive (48x/32x/48x/16x) (models CTO)	40Y8919	*
11	Universal Rambo drive (Black) (models CTO)	26K5377	*
11	Multi-Burner Plus (Rambo VI) (models CTO)	26K5441	*
11	Multi-Burner Plus (Rambo IV) (models CTO)	26K5383	*
11	Multi-Burner Plus (Rambo VI) (models CTO)	39M3519	*
11	Multi-Burner Plus (Rambo VI) (models CTO)	40Y8799	*
11	Multi-Burner Plus (Rambo VI) (models CTO)	40Y8909	*

The FRUs listed in the following table are not illustrated.

8144 FRUs	FRU#	CRU
Speaker Asm, internal (all models)	00N5151	*
C2 Cable Asm (models CTO 2FU 2FF 2FS 2FP 2FL 2FD 2FY 2FG 2FM 2FA 2FQ 2FT 2FC 2FB 2FH 2FV 2FK 2FJ 2GA 2GQ 2GT 3NU 3NF 3NS 3NP 3NL 3ND 3NY 3NG 3NM 3NA 3NQ 3NT 3NC 3NB 3NH 3NV 3NK 3NJ BEU BEF BES BEP BEL BED BEY BEG BEM BEA BEQ BET BEC BEB BEH BEV BEK BEJ)	09K9827	*
Shield, 5.25 Blank EMC (all models)	19K5548	*
Cable, SATA (all models)	88P5927	**

8144 FRUs	FRU#	CRU
HDD Mounting Brkt Asm (all models)	88P5916	*
Cable, Second Serial Port (all models)	49P4530	**
Shield, Diskette drive EMC (all models)	26K1155	**
Cable, Optical IDE (all models)	89P6734	**
Cable, Diskette drive (all models)	26K1128	**
Cable, Front Panel USB Audio (all models)	26K1129	**
Fan Duct Asm (all models)	26K1167	*
Power Switch/LED (used with chassis PN 26K1113) (all models)	26K1119	*
Power Switch/LED (used with chassis PN 26K1160) (all models)	26K1161	*
Front Panel Card (all models)	26K1125	*
Device Retaining Clips (all models)	13N2449	*
System board shield (all models)	89P6727	*
Miscellaneous Hardware kit (all models)	89P6737	*
Cable, 1394 Front (all models)	89P6738	**
RM - Tomahawk (all models)	89P6725	*
Battery, 3.0V (all models)	33F8354	*
Universal Adapter Bracket 5.25 to 3.5-inch	32P4743	*
Mouse, Optical Wheelmouse, USB 400 DPI (models CTO 35U 35F 35S 35P 35L 35D 35Y 35G 35M 35A 35Q 35T 35C 35B 35H 35V 35K 35E 35J 38U 38F 38S 38P 38L 38D 38Y 38G 38M 38A 38Q 38T 38C 38B 38H 38V 38K 38E 38J 39U 39F 39S 39P 39D 39Y 39G 39M 39A 39Q 39T 39C 39B 39H 39V 39K 39R 39E 39J 2FU 2FF 2FS 2FP 2FL 2FD 2FY 2FG 2FM 2FA 2FQ 2FT 2FC 2FB 2FH 2FV 2FK 2FJ 2GA 2GQ 2GT 3GU 3GF 3GS 3GP 3GL 3GD 3GY 3GG 3GM 3GA 3GQ 3GT 3GC 3GB 3GH 3GV 3GK 3GJ 3HQ 3HT 3HC 3HB 3HH 3HV 3HK 3NU 3NF 3NS 3NP 3NL 3ND 3NY 3NG 3NM 3NA 3NQ 3NT 3NC 3NB 3NH 3NV 3NK 3NJ BEU BEF BES BEP BEL BED BEY BEG BEM BEA BEQ BET BEC BEB BEH BEV BEK BEJ)	89P5089	*
PCI-E DVI-D Connection Adapter (models CTO)	19R2374	*
RJ11 Connector adapter (Spain, Ireland) (all 'G' models)	60H6043	*
RJ11 Connector adapter (Austria) (all 'G' models)	60H6045	*
RJ11 Connector adapter (Belgium) (all 'G' models)	60H6046	*
RJ11 Connector adapter (Denmark) (all 'G' models)	60H6047	*
RJ11 Connector adapter (Norway/Finland) (all 'G' models)	60H6048	*
RJ11 Connector adapter (France) (all 'G' models)	60H6049	*
RJ11 Connector adapter (Germany) (all 'G' models)	60H6050	*
RJ11 Connector adapter (UK,NZ, HK) (all 'G' models)	60H6051	*
RJ11 Connector adapter (Italy) (all 'G' models)	60H6052	*
RJ11 Connector adapter (Netherlands) (all 'G' models)	60H6053	*
RJ11 Connector adapter (Sweden) (all 'G' models)	60H6054	*
RJ11 Connector adapter (Switzerland) (all 'G' models)	60H6055	*

8144 Keyboards	FRU#	CRU
US English (models CTO 35U 35L 35G 35M 35A 35Q 35C 35H 35E 38U 38L 38G 38M 38A 38Q 38C 38H 38E 39U 39G 39M 39A 39Q 39C 39H 39R 39E 2FU 2FL 2FG 2FM 2FA 2FQ 2FC 2FH 2GA 2GQ 3GU 3GL 3GG 3GM 3GA 3GQ 3GC 3GH 3HQ 3HC 3HH 3NU 3NL 3NG 3NM 3NA 3NQ 3NC 3NH BEU BEL BEG BEM BEA BEQ BEC BEH)	89P8300	*
Arabic (models CTO-G 35G 38G 39G 2FG 3GG 3NG BEG)	89P8301	*
Belgian/French (models CTO-G 35G 38G 4SG 239G 2FG 3GG 3NG BEG)	89P8302	*
Belgian/UK (models CTO-G 35G 38G 4SG 239G 2FG 3GG 3NG BEG)	89P8303	*
Bulgarian (models CTO-G 35G 38G 4SG 239G 2FG 3GG 3NG BEG)	89P8305	*
Chinese/US (models 35B 35V 38B 38V 39B 39V CTO-A 2FB 2FV 3GB 3GV 3HB 3HV 3NB 3NV BEB BEV)	89P8306	*
Czech (models CTO-G 35G 38G 4SG 239G 2FG 3GG 3NG BEG)	89P8307	*
Danish (models CTO-G 35G 38G 4SG 239G 2FG 3GG 3NG BEG)	89P8308	*
Dutch (models CTO-G 35G 38G 4SG 239G 2FG 3GG 3NG BEG)	89P8309	*
French (models CTO-G 35G 38G 4SG 239G 2FG 3GG 3NG BEG)	89P8310	*
French Canadian 445 (models CTO-U 35F 38F 39F 2FF 3GF 3NF BEF)	89P8311	*
French Canadian 58 (models CTO-U 35F 38F 39F 2FF 3GF 3NF BEF)	89P8312	*
German (models CTO-G 35G 38G 4SG 239G 2FG 3GG 3NG BEG)	89P8313	*
Greek (models CTO-G 35G 38G 4SG 239G 2FG 3GG 3NG BEG)	89P8314	*
Hebrew (models CTO-G 35G 38G 4SG 239G 2FG 3GG 3NG BEG)	89P8315	*
Hungarian (models CTO-G 35G 38G 4SG 239G 2FG 3GG 3NG BEG)	89P8316	*
Iceland (models CTO-G 35G 38G 4SG 239G 2FG 3GG 3NG BEG)	89P8317	*
Italian 141 (models CTO-G 35G 38G 4SG 239G 2FG 3GG 3NG BEG)	89P8318	*
Italian 142 (models CTO-G 35G 38G 4SG 239G 2FG 3GG 3NG BEG)	89P8319	*
Japanese (models 35J 38J 39J 2FJ 3GJ 3NJ BEJ)	89P8320	*
Korean (models 35K 38K 39K 2FK 3GK 3HK 3NK BEK)	89P8321	*
LA Spanish (models 35S 35D 35Y 38S 38D 38Y 39S 39D 39Y CTO-L 2FS 2FD 2FY 3GS 3GD 3GY 3NS 3ND 3NY BES BED BEY)	89P8322	*
Norwegian (models CTO-G 35G 38G 4SG 239G 2FG 3GG 3NG BEG)	89P8323	*
Polish (models CTO-G 35G 38G 4SG 239G 2FG 3GG 3NG BEG)	89P8324	*
Portuguese (models CTO-G 35G 38G 4SG 239G 2FG 3GG 3NG BEG)	89P8325	*
Romanian (models CTO-G 35G 38G 4SG 239G 2FG 3GG 3NG BEG)	89P8326	*
Russian (models CTO-G 35G 38G 4SG 239G 2FG 3GG 3NG BEG)	89P8327	*
Russian/Cyrillic (models CTO-G 35G 38G 4SG 239G 2FG 3GG 3NG BEG)	89P8328	*
Serbian/Cyrillic (models CTO-G 35G 38G 4SG 239G 2FG 3GG 3NG BEG)	89P8329	*
Slovak (models CTO-G 35G 38G 4SG 239G 2FG 3GG 3NG BEG)	89P8330	*
Spanish (models CTO-G 35G 38G 4SG 239G 2FG 3GG 3NG BEG)	89P8331	*
Swedish/Finn (models CTO-G 35G 38G 4SG 239G 2FG 3GG 3NG BEG)	89P8332	*
Swiss F/G (models CTO-G 35G 38G 4SG 239G 2FG 3GG 3NG BEG)	89P8333	*
Thailand (models 35T 38T 39T CTO-A 2FT 2GT 3GT 3HT 3NT BET)	89P8334	*
Turkish 440 (models CTO-G 35G 38G 4SG 239G 2FG 3GG 3NG BEG)	89P8335	*
Turkish 179 (models CTO-G 35G 38G 4SG 239G 2FG 3GG 3NG BEG)	89P8336	*
UK English (models CTO-G 35G 38G 4SG 239G 2FG 3GG 3NG BEG)	89P8337	*

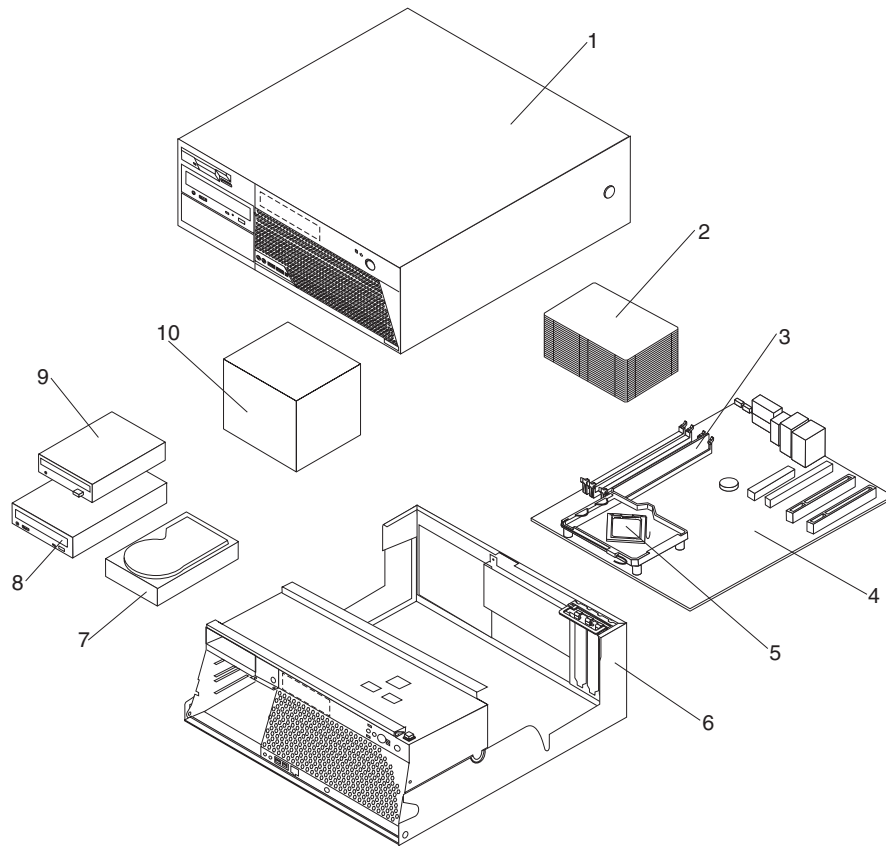
8144 Keyboards	FRU#	CRU
US Euro (models CTO-G 35G 38G 4SG 239G 2FG 3GG 3NG BEG)	89P8338	*
Yugoslav/Latin (models CTO-G 35G 38G 4SG 239G 2FG 3GG 3NG BEG)	89P8339	*
Brazil/Portugese (models 35P 38P 39P CTO-L 2FP 3GP 3NP BEP)	89P8304	*

8144 Power Cords	FRU#	CRU
Power cord (models 35U 35F 35S 35P 35L 35D 35G 35A 35T 35V 38U 38F 38S 38P 38L 38D 38G 38A 38T 38V 39U 39F 39S 39P 39D 39G 39A 39T 39V 2FU 2FF 2FS 2FP 2FL 2FD 2FG 2FA 2FT 2FV 2GA 2GT 3GU 3GF 3GS 3GP 3GL 3GD 3GG 3GA 3GT 3GV 3HT 3HV 3NU 3NF 3NS 3NP 3NL 3ND 3NG 3NA 3NT 3NV BEU BEF BES BEP BEL BED BEG BEA BET BEV)	6952301	*
Power cord (ANZ) (models 35M 38M 39M 2FM 3GM 3NM BEM)	13F9939	*
Power cord (EMEA, ANZ, ASEAN Eng, Korea) (models 35G 35K 38G 38K 39G 39K 39R 2FG 2FK 3GG 3GK 3HK 3NG 3NK BEG BEK)	13F9978	*
Power cord (EMEA, ANZ, ASEAN Eng, HK Eng) (models 35G 35H 38G 38H 39G 39H 2FG 2FH 3GG 3GH 3HH 3NG 3NH BEG BEH)	14F0032	*
Power cord (EMEA) (models 35G 38G 39G 2FG 3GG 3NG BEG)	13F9996	*
Power cord (EMEA, LA) (models 35S 35P 35L 35D 35Y 35G 38S 38P 38L 38D 38Y 38G 39S 39P 39D 39Y 39G 2FS 2FP 2FL 2FD 2FY 2FG 3GS 3GP 3GL 3GD 3GY 3GG 3NS 3NP 3NL 3ND 3NY 3NG BES BEP BEL BED BEY BEG)	14F0068	*
Power cord (APU) (models 35Y 38Y 39Y 2FY 3GY 3NY BEY)	36L8879	*
Power cord (China, HK) (models 35C 35B 35H 38C 38B 38H 39C 39B 39H 2FC 2FB 2FH 3GC 3GB 3GH 3HC 3HB 3HH 3NC 3NB 3NH BEC BEB BEH)	02K0545	*
Power cord (EMEA) (models CTO-G 35G 38G 4SG 239G 2FG 3GG 3NG BEG)	14F0086	*
Power cord (EMEA, ANZ, ASEAN Eng) (models CTO-G 35G 38G 4SG 239G 2FG 3GG 3NG BEG)	14F0014	*
Power cord (EMEA) (models CTO-G 35G 38G 39G)	14F0050	*
Power cord (India) (models 35Q 38Q 39Q 2FQ 2GQ 3GQ 3HQ 3NQ BEQ)	49P2078	*

8144 Windows XP Pro Recovery CDs	FRU #	CRU
US (models 35U 35L 35G 35M 35A 35Q 35T 35H 35E 38U 38L 38G 38M 38A 38Q 38T 38H 38E 39U 39M 39A 39Q 39T 39H 39R 39E 2FU 2FL 2FM 2FA 2FQ 2FT 2FH 2GA 2GQ 2GT 3GU 3GL 3GM 3GA 3GQ 3GT 3GH 3HQ 3HT 3HH 3NU 3NL 3NM 3NA 3NQ 3NT 3NH BEU BEL BEM BEA BEQ BET BEH)	39J6597	*
FR (models 35F 35G 38F 38G 39F 39G 2FF 2FG 3GF 3GG 3NF 3NG BEF BEG)	39J6598	*
GR (models 35G 38G 39G 2FG 3GG 3NG BEG)	39J6599	*
IT (models 35P 38P 39G 38G)	39J6601	*
SP (models 35G 38G 39S 39D 39Y 39G 35S 35D 35Y 35G 38S 38D 38Y 2FS 2FD 2FY 2FG 3GS 3GD 3GY 3GG 3NS 3ND 3NY 3NG BES BED BEY BEG)	39J6600	*
BR (models 39P 2FP 3GP 3NP BEP)	39J6602	*
DK (models 35G 38G 4SG 239G 2FG 3GG 3NG BEG)	39J6604	*
NL (models 35G 38G 4SG 239G 2FG 3GG 3NG BEG)	39J6607	*
AE (models 35G 38G 4SG 239G 2FG 3GG 3NG BEG)	39J6611	*
SV (models 35G 38G 4SG 239G 2FG 3GG 3NG BEG)	39J6603	*
HE (models 35G 38G 4SG 239G 2FG 3GG 3NG BEG)	39J6608	*
FI (models 35G 38G 4SG 239G 2FG 3GG 3NG BEG)	39J6605	*

8144 Windows XP Pro Recovery CDs	FRU #	CRU
NO (models 35G 38G 4SG 239G 2FG 3GG 3NG BEG)	39J6606	*
PL (models 35G 38G 4SG 239G 2FG 3GG 3NG BEG)	39J6609	*
PO (models 35G 38G 4SG 239G 2FG 3GG 3NG BEG)	39J6615	*
RU (models 35G 38G 4SG 239G 2FG 3GG 3NG BEG)	41D1198	*
RU English (models 35G 38G 39G)	41D1223	*
HU (models 35G 38G 4SG 239G 2FG 3GG 3NG BEG)	39J6614	*
CZ (models 35G 38G 4SG 239G 2FG 3GG 3NG BEG)	39J6610	*
TR (models 35G 38G 4SG 239G 2FG 3GG 3NG BEG)	39J6602	*
GK (models 35G 38G 4SG 239G 2FG 3GG 3NG BEG)	39J6616	*
SL (models 35G 38G 4SG 239G 2FG 3GG 3NG BEG)	39J6617	*
JP (models 35J 38J 39J 2FJ 3GJ 3NJ BEJ)	30R4762	*
CS (models 35C 38C 39C 2FC 3GC 3HC 3NC BEC)	30R4741	*
TW (models 35V 38V 39V 2FV 3GV 3HV 3NV BEV)	30R4748	*
HK (models 35B 38B 39B 2FB 3GB 3HB 3NB BEB)	30R4755	*
KR (models 35K 38K 39K 2FK 3GK 3HK 3NK BEK)	30R4734	*
Multilingual 1 (models 35G 38G 4SG 239G 2FG 3GG 3NG BEG)	39J6215	*
Multilingual 2 (models 35G 38G 4SG 239G 2FG 3GG 3NG BEG)	39J6216	*

## Machine Type 8145



Item #	8145 FRUs	FRU#	CRU
1	Top Cover Asm (all models)	89P6730	*
2	Heat sink (models CTO-U CTO-G 31U 31F 31S 31P 31L 31D 31Y 31G 31M 31A 31Q 31T 31C 31B 31H 31V 31K 31E 31J)	89P6729	**
3	256MB PC2 3200 Memory (DDR1) (models CTO-U CTO-G 31U 31F 31S 31P 31L 31D 31Y 31G 31M 31A 31Q 31T 31C 31B 31H 31V 31K 31E 31J)	73P2683	*
4	System board 10/1000 w/ POV (models CTO-U CTO-G 31U 31F 31S 31P 31L 31D 31Y 31G 31M 31A 31Q 31T 31C 31B 31H 31V 31K 31E 31J)	41X2839	**
5	2.53 GHZ Celeron Prescott P4 (models CTO-U CTO-G)	29R7215	**
5	2.66 GHZ Celeron Prescott P4 (models CTO-U CTO-G)	29R7217	**
5	2.8 GHZ Celeron Prescott P4 (models CTO-U CTO-G)	29R7219	**
5	2.93 GHZ Celeron Prescott P4 (models CTO-U CTO-G)	29R7221	**
5	3.06 GHZ Celeron Prescott P4 (models CTO-U CTO-G)	29R8208	**
5	2.53GHZ Celeron Prescott P4 326 (models CTO)	39J9397	**
5	2.66 GHZ Celeron Prescott P4 331 (models CTO)	39J9399	**
5	2.8 GHZ Celeron Prescott P4 336 (models CTO)	39J9401	**
5	2.93 GHZ Celeron Prescott P4 341 (models CTO)	39J9403	**
5	3.06 GHZ Celeron Prescott P4 346 (models CTO)	39J9405	**
5	3.2 GHZ Celeron Prescott P4 351 (models CTO)	41D0533	**
5	2.66GHZ Prescott P4 (models CTO)	29R7223	**

Item #	8145 FRUs	FRU#	CRU
5	2.93GHZ Prescott P4 (models CTO-U CTO-G)	29R7225	**
5	2.66GHZ Celeron Prescott P4 346 (models CTO)	41D0676	**
5	2.93GHZ Celeron Prescott P4 351 (models CTO)	41D0677	**
5	3.06GHZ Celeron Prescott P4 (models CTO)	41D0678	**
5	2.8GHZ Prescott P4 (models CTO-U CTO-G)	19R0495	**
5	3.0GHZ Prescott P4 (models CTO-U CTO-G)	19R0496	**
5	3.2GHZ Prescott P4 (models CTO-U CTO-G 31U 31F 31S 31P 31L 31D 31Y 31G 31M 31A 31Q 31T 31C 31B 31H 31V 31K 31E 31J)	19R0497	**
5	3.4GHZ Prescott P4 (models CTO-U CTO-G)	19R0498	**
5	3.4GHZ Prescott P4 (low-power) (models CTO-U CTO-G)	19R3011	**
5	3.6GHZ Prescott P4 (models CTO-U CTO-G)	19R0499	**
5	3.8GHZ Prescott P4 (models CTO-U CTO-G)	29R8211	**
5	2.8GHZ Prescott P4 531 (models CTO)	39J9407	**
5	3.0GHZ Prescott P4 531 (models CTO)	39J9409	**
5	3.2GHZ Prescott P4 541 (models CTO)	39J9411	**
5	3.4GHZ Prescott P4 551 (models CTO)	39J9413	**
5	3.6GHZ Prescott P4 561 (models CTO)	41D0535	**
5	3.8GHZ Prescott P4 571 (models CTO)	41D0537	**
5	3.0GHZ Prescott P4 (models CTO)	39J6589	**
5	3.2GHZ Prescott P4 (models CTO)	39J6591	**
5	3.4GHZ Prescott P4 (models CTO)	39J6593	**
5	3.6GHZ Prescott P4 (models CTO)	39J6595	**
5	3.8GHZ Prescott P4 670 (models CTO)	41D0539	**
6	Chassis and top cover kit (all models)	89P6732	**
7	HDD 40GB 7200 rpm Serial ATA (models CTO-U CTO-G 31U 31F 31S 31P 31L 31D 31Y 31G 31M 31A 31Q 31T 31C 31B 31H 31V 31K 31E 31J)	71P7312	*
7	HDD 40GB 7200 rpm Serial ATA (models CTO 31U 31F 31S 31P 31L 31D 31Y 31G 31M 31A 31Q 31T 31C 31B 31H 31V 31K 31E 31J)	40Y8760	*
7	HDD 40GB 7200 rpm Serial ATA (models CTO 31U 31F 31S 31P 31L 31D 31Y 31G 31M 31A 31Q 31T 31C 31B 31H 31V 31K 31E 31J)	40Y9033	*
7	HDD 80GB 7200 rpm Serial ATA (models CTO)	71P7293	*
7	HDD 80GB 7200 rpm Serial ATA (models CTO)	40Y8761	*
7	HDD 80GB 7200 rpm Serial ATA (models CTO)	40Y9034	*
7	HDD 160GB 7200 rpm Serial ATA (models CTO)	71P7297	*
7	HDD 160GB 7200 rpm Serial ATA (models CTO)	40Y8762	*
7	HDD 160GB 7200 rpm Serial ATA (models CTO)	40Y9035	*
8	CD-ROM Drive 48X - Black w/o jack & vol (models CTO-U CTO-G 31U 31F 31S 31P 31L 31D 31Y 31G 31M 31A 31Q 31T 31C 31B 31H 31V 31K 31E 31J)	71P7367	*
8	CD-ROM Drive 48X - Black w/o jack & vol (models CTO-U CTO-G 31U 31F 31S 31P 31L 31D 31Y 31G 31M 31A 31Q 31T 31C 31B 31H 31V 31K 31E 31J)	71P7369	*
8	CD-ROM Drive 48X - Black w/o jack & vol (models CTO-U CTO-G 31U 31F 31S 31P 31L 31D 31Y 31G 31M 31A 31Q 31T 31C 31B 31H 31V 31K 31E 31J)	71P7371	*

Item #	8145 FRUs	FRU#	CRU
8	CD-ROM Drive 48X - Black w/o jack & vol (models CTO-U CTO-G 31U 31F 31S 31P 31L 31D 31Y 31G 31M 31A 31Q 31T 31C 31B 31H 31V 31K 31E 31J)	71P7375	*
8	CD-ROM Drive 48X - Black w/o jack & vol (models CTO-U CTO-G 31U 31F 31S 31P 31L 31D 31Y 31G 31M 31A 31Q 31T 31C 31B 31H 31V 31K 31E 31J)	71P7377	*
8	CD-ROM Drive 48X - Black w/o jack & vol (models CTO-U CTO-G 31U 31F 31S 31P 31L 31D 31Y 31G 31M 31A 31Q 31T 31C 31B 31H 31V 31K 31E 31J)	71P7385	*
8	CD-ROM Drive 48X - Black w/o jack & vol (models CTO-U CTO-G 31U 31F 31S 31P 31L 31D 31Y 31G 31M 31A 31Q 31T 31C 31B 31H 31V 31K 31E 31J)	39M3511	*
8	CD-ROM Drive 48X - Black w/o jack & vol (models CTO-U CTO-G 31U 31F 31S 31P 31L 31D 31Y 31G 31M 31A 31Q 31T 31C 31B 31H 31V 31K 31E 31J)	26K5445	*
8	CD-ROM Drive 48X - Black w/o jack & vol (models CTO-U CTO-G 31U 31F 31S 31P 31L 31D 31Y 31G 31M 31A 31Q 31T 31C 31B 31H 31V 31K 31E 31J)	40Y8807	*
8	DVD-ROM 16X/48X - Black (models CTO-U CTO-G)	33P3237	*
8	DVD-ROM 16X/48X - Black (models CTO-U CTO-G)	71P7357	*
8	DVD-ROM 16X/48X - Black (models CTO-U CTO-G)	26K5385	*
8	DVD-ROM 16X/48X - Black (models CTO-U CTO-G)	26K5435	*
8	DVD-ROM 16X/48X - Black (models CTO)	39M3513	*
8	DVD-ROM 16X/48X - Black (models CTO)	39M3515	*
8	DVD-ROM 16X/48X - Black (models CTO)	39M3517	*
8	DVD-ROM 16X/48X - Black (models CTO-U CTO-G)	40Y8935	*
8	DVD-ROM 16X/48X - Black (models CTO-U CTO-G)	40Y8933	*
8	CD-RW Drive (48X/32X/48X) (models CTO-U CTO-G)	71P7347	*
8	CD-RW Drive (48X/32X/48X) (models CTO-U CTO-G)	71P7349	*
8	CD-RW Drive (48X/32X/48X) (models CTO-U CTO-G)	26K5401	*
8	CD-RW Drive (48X/32X/48X) (models CTO)	40Y8901	*
8	CD-RW Drive (48X/32X/48X) (models CTO)	40Y8937	*
8	Universal Combo Drive (48x/24x/48x/16x) (models CTO-U CTO-G)	26K5390	*
8	DVD-ROM/CD-RW Combo Drive (48x/32x/48x/16x) (models CTO-U CTO-G)	26K5379	*
8	DVD-ROM/CD-RW Combo Drive (48x/32x/48x/16x) (models CTO-U CTO-G)	26K5381	*
8	DVD-ROM/CD-RW Combo Drive (48x/32x/48x/16x) (models CTO-U CTO-G)	26K5429	*
8	DVD-ROM/CD-RW Combo Drive (48x/32x/48x/16x) (models CTO)	39M3539	*
8	DVD-ROM/CD-RW Combo Drive (48x/32x/48x/16x) (models CTO)	40Y8781	*
8	DVD-ROM/CD-RW Combo Drive (48x/32x/48x/16x) (models CTO)	40Y8903	*
8	DVD-ROM/CD-RW Combo Drive (48x/32x/48x/16x) (models CTO)	40Y8919	*
8	Universal Rambo drive (Black) (models CTO-U CTO-G)	26K5377	*
8	Multi-Burner Plus (Rambo VI) (models CTO-U CTO-G)	26K5441	*
8	Multi-Burner Plus (Rambo IV) (models CTO-U CTO-G)	26K5383	*
8	Multi-Burner Plus (Rambo VI) (models CTO)	39M3519	*
8	Multi-Burner Plus (Rambo VI) (models CTO)	40Y8799	*
8	Multi-Burner Plus (Rambo VI) (models CTO)	40Y8909	*
9	3.5" 1.44MB 2MODE diskette drive (models CTO-U CTO-G 31U 31F 31S 31P 31L 31D 31Y 31G 31M 31A 31Q 31T 31C 31B 31H 31V 31K 31E 31J)	76H4091	*



Item #	8145 FRUs	FRU#	CRU
9	3.5" 1.44MB 2MODE diskette drive (models CTO 31U 31F 31S 31P 31L 31D 31Y 31G 31M 31A 31Q 31T 31C 31B 31H 31V 31K 31E 31J)	40Y9107	*
9	3.5" 1.44MB 2MODE diskette drive (models CTO 31U 31F 31S 31P 31L 31D 31Y 31G 31M 31A 31Q 31T 31C 31B 31H 31V 31K 31E 31J)	24P3889	*
9	3.5" 1.44MB 2MODE diskette drive (models CTO 31U 31F 31S 31P 31L 31D 31Y 31G 31M 31A 31Q 31T 31C 31B 31H 31V 31K 31E 31J)	40Y9105	*
9	3.5" 1.44MB 2MODE diskette drive (models CTO 31U 31F 31S 31P 31L 31D 31Y 31G 31M 31A 31Q 31T 31C 31B 31H 31V 31K 31E 31J)	39M0101	*
9	3.5" 1.44MB 2MODE diskette drive (models CTO 31U 31F 31S 31P 31L 31D 31Y 31G 31M 31A 31Q 31T 31C 31B 31H 31V 31K 31E 31J)	40Y9113	*
10	Power Supply 310 Watt (models 31U 31F 31G 31M 31A 31T 31K 31E 31J)	24R2574	**
10	Power Supply 310 Watt (China) (models 31S 31P 31L 31D 31Y 31Q 31C 31B 31H 31V)	24R2578	**

The FRUs listed in the following table are not illustrated.

8145 FRUs	FRU#	CRU
HDD Mounting Brkt Asm (all models)	88P5916	*
Speaker Asm, internal (all models)	00N5151	*
Speaker Cable Asm (RoHS Compliant) (all models)	39M0614	*
C2 Cable Asm (all models)	09K9827	*
Cable, Second Serial Port (all models)	49P4530	*
RM - Tomahawk (all models)	89P6725	*
Device Retaining Clips (all models)	13N2449	*
Fan and Duct Asm (all models)	39K5014	*
System board shield (all models)	89P6727	*
Cable, SATA (all models)	89P6728	*
Bezel Kit (all models)	89P6731	*
Cable and Front USB/Audio Card (all models)	89P6733	*
Cable, 2-drop IDE (all models)	89P6734	*
Cable, Diskette drive (all models)	89P6735	*
Shield, 5.25 Blank EMC (all models)	89P6771	*
Shield, Blank Diskette drive (all models)	89P6736	*
Miscellaneous Hardware kit (all models)	89P6737	*
Cable, 1394 Front (all models)	89P6738	*
Cable, Power/LED (all models)	89P6739	*
Battery, 3.0V (all models)	33F8354	*
Universal Adapter Bracket 5.25 to 3.5-inch	32P4743	*
Mouse, Optical Wheelmouse, USB 400 DPI (models 31U 31F 31S 31P 31L 31D 31Y 31G 31M 31A 31Q 31T 31C 31B 31H 31V 31K 31E 31J)	89P5089	*
PCI-E DVI-D Connection Adapter (models CTO-U CTO-G)	19R2374	*
RJ11 Connector adapter (Spain, Ireland) (all 'G' models)	60H6043	*
RJ11 Connector adapter (Austria) (all 'G' models)	60H6045	*

8145 FRUs	FRU#	CRU
RJ11 Connector adapter (Belgium) (all 'G' models)	60H6046	*
RJ11 Connector adapter (Denmark) (all 'G' models)	60H6047	*
RJ11 Connector adapter (Norway/Finland) (all 'G' models)	60H6048	*
RJ11 Connector adapter (France) (all 'G' models)	60H6049	*
RJ11 Connector adapter (Germany) (all 'G' models)	60H6050	*
RJ11 Connector adapter (UK,NZ, HK) (all 'G' models)	60H6051	*
RJ11 Connector adapter (Italy) (all 'G' models)	60H6052	*
RJ11 Connector adapter (Netherlands) (all 'G' models)	60H6053	*
RJ11 Connector adapter (Sweden) (all 'G' models)	60H6054	*
RJ11 Connector adapter (Switzerland) (all 'G' models)	60H6055	*

8145 Keyboards (Preferred Pro Fullsize)	FRU#	CRU
US English (models CTO-U CTO-G 31U 31L 31G 31M 31A 31Q 31C 31H 31E)	89P8300	*
Arabic (models 31G)	89P8301	*
Belgian/French (models 31G)	89P8302	*
Belgian/UK (models 31G)	89P8303	*
Bulgarian (models 31G)	89P8305	*
Chinese/US (models 31B 31V)	89P8306	*
Czech (models 31G)	89P8307	*
Danish (models 31G)	89P8308	*
Dutch (models 31G)	89P8309	*
French (model)	89P8310	*
French Canadian 445(models 31F)	89P8311	*
French Canadian 58 (models 31F)	89P8312	*
German (models 31G)	89P8313	*
Greek (models 31G)	89P8314	*
Hebrew (models 31G)	89P8315	*
Hungarian (models 31G)	89P8316	*
Iceland (models 31G)	89P8317	*
Italian 141 (models 31G)	89P8318	*
Italian 142 (models 31G)	89P8319	*
Japanese (models 31J)	89P8320	*
Korean (models 31K)	89P8321	*
LA Spanish (models 31S 31D 31Y)	89P8322	*
Norwegian (models 31G)	89P8323	*
Polish (models 31G)	89P8324	*
Portuguese (models 31G)	89P8325	*
Romanian (models 31G)	89P8326	*
Russian (models 31G)	89P8327	*
Russian/Cyrillic (models 31G)	89P8328	*
Serbian/Cyrillic (models 31G)	89P8329	*

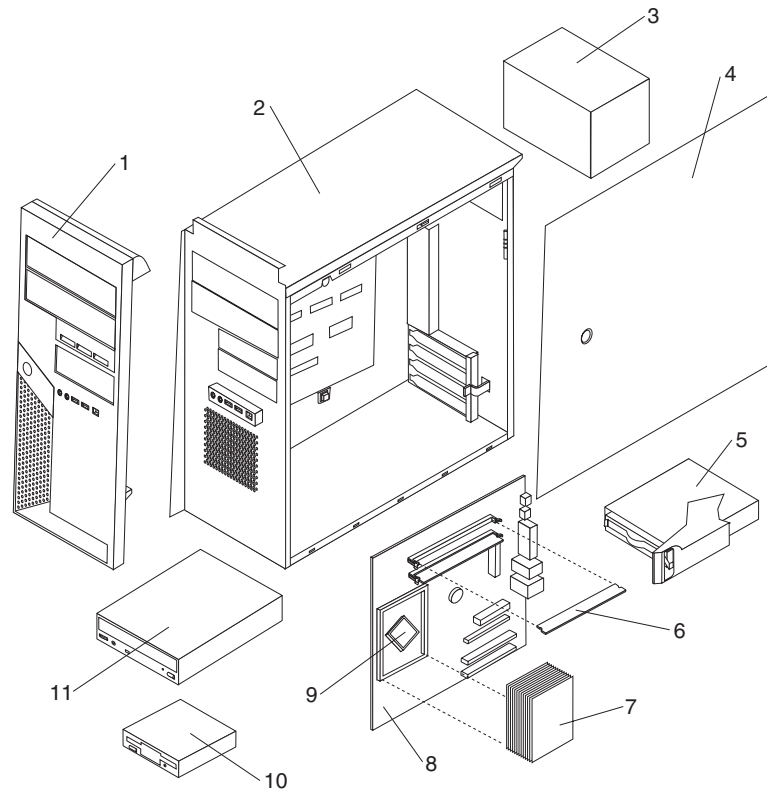
<b>8145 Keyboards (Preferred Pro Fullsize)</b>	<b>FRU#</b>	<b>CRU</b>
Slovak (models 31G)	89P8330	*
Spanish (models 31G)	89P8331	*
Swedish/Finn (models 31G)	89P8332	*
Swiss F/G (models 31G)	89P8333	*
Thailand (models 31T)	89P8334	*
Turkish 440 (models 31G)	89P8335	*
Turkish 179 (models 31G)	89P8336	*
UK English (models 31G)	89P8337	*
US Euro (models 31G)	89P8338	*
Yugoslav/Latin (models 31G)	89P8339	*
Brazil/Portugese (models 31P)	89P8304	*

<b>8145 Power Cords</b>	<b>FRU#</b>	<b>CRU</b>
Power cord (models 31U 31F 31S 31P 31L 31D 31G 31A 31T 31V)	6952301	*
Power cord (ANZ) (models 31M)	13F9939	*
Power cord (EMEA, ANZ, ASEAN Eng, Korea) (models 31G 31K)	13F9978	*
Power cord (EMEA, ANZ, ASEAN Eng, HK Eng) (models 31G 31H)	14F0032	*
Power cord (EMEA) (models 31G)	13F9996	*
Power cord (EMEA, LA) (models 31S 31P 31L 31D 31Y 31G)	14F0068	*
Power cord (APU) (models 31Y)	36L8879	*
Power cord (China, HK) (models 31C 31B 31H)	02K0545	*
Power cord (EMEA) (models 31G)	14F0086	*
Power cord (EMEA, ANZ, ASEAN Eng) (models 31G)	14F0014	*
Power cord (EMEA) (models 31G)	14F0050	*
Power cord (India) (models 31Q)	49P2078	*

<b>8145 Windows XP Pro Recovery CDs</b>	<b>FRU #</b>	<b>CRU</b>
US (models 31U 31L 31M 31A 31Q 31T 31H 31E)	39J6597	*
FR (models 31F 31G)	39J6598	*
GR (models 31G)	39J6599	*
IT (models 31G)	39J6601	*
SP (models 31S 31D 31Y 31G)	39J6600	*
BR (models 31P)	39J6602	*
DK (models 31G)	39J6600	*
NL (models 31G)	39J6607	*
AE (models 31G)	39J6611	*
SV (models 31G)	39J6603	*
HE (models 31G)	39J6608	*
FI (models 31G)	39J6605	*
NO (models 31G)	39J6606	*
PL (models 31G)	39J6609	*

8145 Windows XP Pro Recovery CDs	FRU #	CRU
PO (models 31G)	39J6615	*
RU (models 31G)	41D1198	*
RE (models 31G)	41D1223	*
HU (models 31G)	39J6614	*
CZ (models 31G)	39J6610	*
TR (models 31G)	39J6602	*
GK (models 31G)	39J6616	*
SL (models 31G)	39J6617	*
JP (models 31J)	30R4762	*
CS (models 31C)	30R4741	*
TW (models 31V)	30R4748	*
HK (models 31B)	30R4755	*
KR (models 31K)	30R4734	*
Multilingual 1 (models 31G)	39J6215	*
Multilingual 2 (models 31G)	39J6216	*

# Machine Type 8146



Item #	8146 FRUs	FRU#	CRU
1	Bezel (all models)	26K1116	*
2	Chassis Asm (subd from 26K1113) (all models)	26K1160	**
3	Power Supply 310 Watt (models 31U 31F 31G 31M 31A 31T 31K 31E 31J)	24R2574	**
3	Power Supply 310 Watt (China) (models 31S 31P 31L 31D 31Y 31Q 31C 31B 31H 31V)	24R2578	**
4	Cover Asm (all models)	26K1115	**
5	HDD 40GB 7200 rpm Serial ATA (models CTO-U CTO-G 31U 31F 31S 31P 31L 31D 31Y 31G 31M 31A 31Q 31T 31C 31B 31H 31V 31K 31E 31J)	71P7312	*
6	256MB PC2 3200 Memory (DDR1) (models CTO-U CTO-G 31U 31F 31S 31P 31L 31D 31Y 31G 31M 31A 31Q 31T 31C 31B 31H 31V 31K 31E 31J)	73P2683	*
7	Heat sink (models CTO-U CTO-G 31U 31F 31S 31P 31L 31D 31Y 31G 31M 31A 31Q 31T 31C 31B 31H 31V 31K 31E 31J)	89P6729	**
8	System board 10/1000 w/ POV (models CTO-U CTO-G 31U 31F 31S 31P 31L 31D 31Y 31G 31M 31A 31Q 31T 31C 31B 31H 31V 31K 31E 31J)	41X2839	**
9	2.53 GHZ Celeron Prescott P4 (models CTO-U CTO-G)	29R7215	**
9	2.66 GHZ Celeron Prescott P4 (models CTO-U CTO-G)	29R7217	**
9	2.8 GHZ Celeron Prescott P4 (models CTO-U CTO-G)	29R7219	**
9	2.93 GHZ Celeron Prescott P4 (models CTO-U CTO-G)	29R7221	**
9	3.06GHZ Celeron Prescott P4 326 (models CTO)	29R8208	**
9	2.53GHZ Celeron Prescott P4 326 (models CTO)	39J9397	**
9	2.66 GHZ Celeron Prescott P4 331 (models CTO)	39J9399	**

Item #	8146 FRUs	FRU#	CRU
9	2.8 GHZ Celeron Prescott P4 336 (models CTO)	39J9401	**
9	2.93 GHZ Celeron Prescott P4 341 (models CTO)	39J9403	**
9	3.06 GHZ Celeron Prescott P4 346 (models CTO)	39J9405	**
9	3.2 GHZ Celeron Prescott P4 351 (models CTO)	41D0533	**
9	2.66GHZ Prescott P4 (models CTO)	29R7223	**
9	2.93GHZ Prescott P4 (models CTO-U CTO-G)	29R7225	**
9	2.66GHZ Celeron Prescott P4 346 (models CTO)	41D0676	**
9	2.93GHZ Celeron Prescott P4 351 (models CTO)	41D0677	**
9	3.06GHZ Celeron Prescott P4 (models CTO)	41D0678	**
9	2.8GHZ Prescott P4 (models CTO-U CTO-G)	19R0495	**
9	3.0GHZ Prescott P4 (models CTO-U CTO-G)	19R0496	**
9	3.2GHZ Prescott P4 (models CTO-U CTO-G 31U 31F 31S 31P 31L 31D 31Y 31G 31M 31A 31Q 31T 31C 31B 31H 31V 31K 31E 31J)	19R0497	**
9	3.4GHZ Prescott P4 (models CTO-U CTO-G)	19R0498	**
9	3.4GHZ Prescott P4 (low-power) (models CTO-U CTO-G)	19R3011	**
9	3.6GHZ Prescott P4 (models CTO-U CTO-G)	19R0499	**
9	3.8GHZ Prescott P4 (models CTO-U CTO-G)	29R8211	**
9	2.8GHZ Prescott P4 531 (models CTO)	39J9407	**
9	3.0GHZ Prescott P4 531 (models CTO)	39J9409	**
9	3.2GHZ Prescott P4 541 (models CTO)	39J9411	**
9	3.4GHZ Prescott P4 551 (models CTO)	39J9413	**
9	3.6GHZ Prescott P4 561 (models CTO)	41D0535	**
9	3.8GHZ Prescott P4 571 (models CTO)	41D0537	**
5	3.0GHZ Prescott P4 (models CTO)	39J6589	**
5	3.2GHZ Prescott P4 (models CTO)	39J6591	**
5	3.4GHZ Prescott P4 (models CTO)	39J6593	**
5	3.6GHZ Prescott P4 (models CTO)	39J6595	**
9	3.8GHZ Prescott P4 670 (models CTO)	41D0539	**
10	3.5" 1.44MB 2MODE diskette drive (models CTO-U CTO-G 31U 31F 31S 31P 31L 31D 31Y 31G 31M 31A 31Q 31T 31C 31B 31H 31V 31K 31E 31J)	76H4091	*
10	3.5" 1.44MB 2MODE diskette drive (models CTO 31U 31F 31S 31P 31L 31D 31Y 31G 31M 31A 31Q 31T 31C 31B 31H 31V 31K 31E 31J)	40Y9107	*
10	3.5" 1.44MB 2MODE diskette drive (models CTO 31U 31F 31S 31P 31L 31D 31Y 31G 31M 31A 31Q 31T 31C 31B 31H 31V 31K 31E 31J)	24P3889	*
10	3.5" 1.44MB 2MODE diskette drive (models CTO 31U 31F 31S 31P 31L 31D 31Y 31G 31M 31A 31Q 31T 31C 31B 31H 31V 31K 31E 31J)	40Y9105	*
10	3.5" 1.44MB 2MODE diskette drive (models CTO 31U 31F 31S 31P 31L 31D 31Y 31G 31M 31A 31Q 31T 31C 31B 31H 31V 31K 31E 31J)	39M0101	*
10	3.5" 1.44MB 2MODE diskette drive (models CTO 31U 31F 31S 31P 31L 31D 31Y 31G 31M 31A 31Q 31T 31C 31B 31H 31V 31K 31E 31J)	40Y9113	*
11	CD-ROM Drive 48X - Black w/o jack & vol (models CTO-U CTO-G 31U 31F 31S 31P 31L 31D 31Y 31G 31M 31A 31Q 31T 31C 31B 31H 31V 31K 31E 31J)	71P7371	*

Item #	8146 FRUs	FRU#	CRU
11	CD-ROM Drive 48X - Black w/o jack & vol (models CTO-U CTO-G 31U 31F 31S 31P 31L 31D 31Y 31G 31M 31A 31Q 31T 31C 31B 31H 31V 31K 31E 31J)	71P7375	*
11	CD-ROM Drive 48X - Black w/o jack & vol (models CTO-U CTO-G 31U 31F 31S 31P 31L 31D 31Y 31G 31M 31A 31Q 31T 31C 31B 31H 31V 31K 31E 31J)	71P7377	*
11	CD-ROM Drive 48X - Black w/o jack & vol (models CTO-U CTO-G 31U 31F 31S 31P 31L 31D 31Y 31G 31M 31A 31Q 31T 31C 31B 31H 31V 31K 31E 31J)	71P7385	*
11	CD-ROM Drive 48X - Black w/o jack & vol (models CTO-U CTO-G 31U 31F 31S 31P 31L 31D 31Y 31G 31M 31A 31Q 31T 31C 31B 31H 31V 31K 31E 31J)	39M3511	*
11	CD-ROM Drive 48X - Black w/o jack & vol (models CTO-U CTO-G 31U 31F 31S 31P 31L 31D 31Y 31G 31M 31A 31Q 31T 31C 31B 31H 31V 31K 31E 31J)	26K5445	*
11	CD-ROM Drive 48X - Black w/o jack & vol (models CTO-U CTO-G 31U 31F 31S 31P 31L 31D 31Y 31G 31M 31A 31Q 31T 31C 31B 31H 31V 31K 31E 31J)	40Y8807	*
11	DVD-ROM 16X/48X - Black (models CTO-U CTO-G)	33P3237	*
11	DVD-ROM 16X/48X - Black (models CTO-U CTO-G)	71P7357	*
11	DVD-ROM 16X/48X - Black (models CTO-U CTO-G)	26K5385	*
11	DVD-ROM 16X/48X - Black (models CTO-U CTO-G)	26K5435	*
11	DVD-ROM 16X/48X - Black (models CTO)	39M3513	*
11	DVD-ROM 16X/48X - Black (models CTO)	39M3515	*
11	DVD-ROM 16X/48X - Black (models CTO)	39M3517	*
11	DVD-ROM 16X/48X - Black (models CTO)	40Y8933	*
11	DVD-ROM 16X/48X - Black (models CTO)	40Y8935	*
11	CD-RW Drive (48X/32X/48X) (models CTO-U CTO-G)	71P7347	*
11	CD-RW Drive (48X/32X/48X) (models CTO-U CTO-G)	71P7349	*
11	CD-RW Drive (48X/32X/48X) (models CTO-U CTO-G)	26K5401	*
11	CD-RW Drive (48X/32X/48X) (models CTO)	40Y8901	*
11	CD-RW Drive (48X/32X/48X) (models CTO)	40Y8937	*
11	Universal Combo Drive (48x/24x/48x/16x) (models CTO-U CTO-G)	26K5390	*
11	DVD-ROM/CD-RW Combo Drive (48x/32x/48x/16x) (models CTO-U CTO-G)	26K5379	*
11	DVD-ROM/CD-RW Combo Drive (48x/32x/48x/16x) (models CTO-U CTO-G)	26K5381	*
11	DVD-ROM/CD-RW Combo Drive (48x/32x/48x/16x) (models CTO-U CTO-G)	26K5429	*
11	DVD-ROM/CD-RW Combo Drive (48x/32x/48x/16x) (models CTO)	39M3539	*
11	DVD-ROM/CD-RW Combo Drive (48x/32x/48x/16x) (models CTO)	40Y8781	*
11	DVD-ROM/CD-RW Combo Drive (48x/32x/48x/16x) (models CTO)	40Y8903	*
11	DVD-ROM/CD-RW Combo Drive (48x/32x/48x/16x) (models CTO)	40Y8919	*
11	Universal Rambo drive (Black) (models CTO-U CTO-G)	26K5377	*
11	Multi-Burner Plus (Rambo VI) (models CTO)	26K5441	*
11	Multi-Burner Plus (Rambo IV) (models CTO-U CTO-G)	26K5383	*
11	Multi-Burner Plus (Rambo VI) (models CTO)	39M3519	*
11	Multi-Burner Plus (Rambo VI) (models CTO)	40Y8799	*
11	Multi-Burner Plus (Rambo VI) (models CTO)	40Y8909	*

The FRUs listed in the following table are not illustrated.

8146 FRUs	FRU#	CRU
HDD Mounting Brkt Asm (all models)	88P5916	*
Speaker Asm, internal (all models)	00N5151	*
C2 Cable Asm (all models)	09K9827	*
Cable, Second Serial Port (all models)	49P4530	*
Retention module (all models)	89P6725	*
Device Retaining Clips (all models)	13N2449	*
Fan Duct Asm (all models)	26K1167	*
System board shield (all models)	89P6727	*
Cable, SATA (all models)	88P5927	*
Cable and Front USB/Audio Card (all models)	26K1129	*
Cable, Optical IDE (all models)	89P6734	*
Cable, Diskette drive (all models)	26K1128	*
Shield, 5.25 Blank EMC (all models)	19K5548	*
Shield, Blank Diskette drive (all models)	26K1155	**
Miscellaneous Hardware kit (all models)	89P6737	*
Cable, 1394 Front (all models)	89P6738	*
Power Switch/LED (used with chassis PN 26K1113) (all models)	26K1119	*
Power Switch/LED (used with chassis PN 26K1160) (all models)	26K1161	*
Front panel card asm (all models)	26K1125	*
Battery, 3.0V (all models)	33F8354	*
Universal Adapter Bracket 5.25 to 3.5-inch	32P4743	*
Mouse, Optical Wheelmouse, USB 400 DPI (models 31U 31F 31S 31P 31L 31D 31Y 31G 31M 31A 31Q 31T 31C 31B 31H 31V 31K 31E 31J)	89P5089	*
PCI-E DVI-D Connection Adapter (all 'G' models CTO-U CTO-G)	19R2374	*
RJ11 Connector adapter (Spain, Ireland) (all 'G' models)	60H6043	*
RJ11 Connector adapter (Austria) (all 'G' models)	60H6045	*
RJ11 Connector adapter (Belgium) (all 'G' models)	60H6046	*
RJ11 Connector adapter (Denmark) (all 'G' models)	60H6047	*
RJ11 Connector adapter (Norway/Finland) (all 'G' models)	60H6048	*
RJ11 Connector adapter (France) (all 'G' models)	60H6049	*
RJ11 Connector adapter (Germany) (all 'G' models)	60H6050	*
RJ11 Connector adapter (UK,NZ, HK) (all 'G' models)	60H6051	*
RJ11 Connector adapter (Italy) (all 'G' models)	60H6052	*
RJ11 Connector adapter (Netherlands) (all 'G' models)	60H6053	*
RJ11 Connector adapter (Sweden) (all 'G' models)	60H6054	*
RJ11 Connector adapter (Switzerland) (all 'G' models)	60H6055	*

8146 Keyboards (Preferred Pro Fullsize)	FRU#	CRU
US English (models CTO-U CTO-G 31U 31L 31G 31M 31A 31Q 31C 31H 31E)	89P8300	*
Arabic (models 31G)	89P8301	*
Belgian/French (models 31G)	89P8302	*



8146 Keyboards (Preferred Pro Fullsize)	FRU#	CRU
Belgian/UK (models 31G)	89P8303	*
Bulgarian (models 31G)	89P8305	*
Chinese/US (models 31B 31V)	89P8306	*
Czech (models 31G)	89P8307	*
Danish (models 31G)	89P8308	*
Dutch (models 31G)	89P8309	*
French (model)	89P8310	*
French Canadian 445 (models 31F)	89P8311	*
French Canadian 58 (models 31F)	89P8312	*
German (models 31G)	89P8313	*
Greek (models 31G)	89P8314	*
Hebrew (models 31G)	89P8315	*
Hungarian (models 31G)	89P8316	*
Iceland (models 31G)	89P8317	*
Italian 141 (models 31G)	89P8318	*
Italian 142 (models 31G)	89P8319	*
Japanese (models 31J)	89P8320	*
Korean (models 31K)	89P8321	*
LA Spanish (models 31S 31D 31Y)	89P8322	*
Norwegian (models 31G)	89P8323	*
Polish (models 31G)	89P8324	*
Portuguese (models 31G)	89P8325	*
Romanian (models 31G)	89P8326	*
Russian (models 31G)	89P8327	*
Russian/Cyrillic (models 31G)	89P8328	*
Serbian/Cyrillic (models 31G)	89P8329	*
Slovak (models 31G)	89P8330	*
Spanish (models 31G)	89P8331	*
Swedish/Finn (models 31G)	89P8332	*
Swiss F/G (models 31G)	89P8333	*
Thailand (models 31T)	89P8334	*
Turkish 440 (models 31G)	89P8335	*
Turkish 179 (models 31G)	89P8336	*
UK English (models 31G)	89P8337	*
US Euro (models 31G)	89P8338	*
Yugoslav/Latin (models 31G)	89P8339	*
Brazil/Portugese (models 31P)	89P8304	*

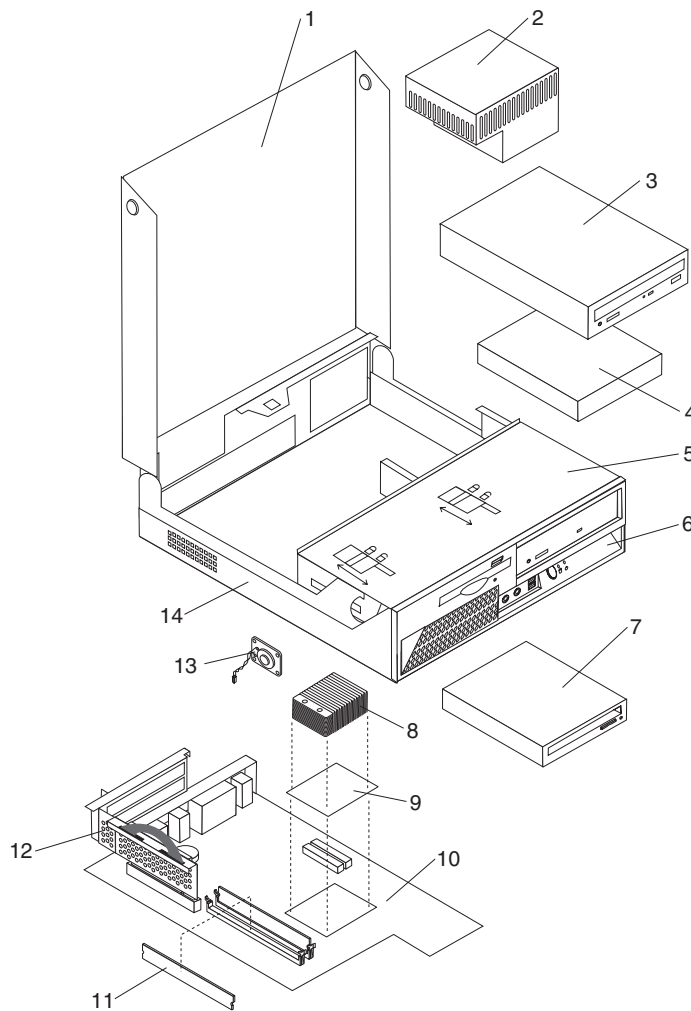
8146 Power Cords	FRU#	CRU
Power cord (models 31U 31F 31S 31P 31L 31D 31G 31A 31T 31V)	6952301	*
Power cord (ANZ) (models 31M)	13F9939	*

8146 Power Cords	FRU#	CRU
Power cord (EMEA, ANZ, ASEAN Eng, Korea) (models 31G 31K)	13F9978	*
Power cord (EMEA, ANZ, ASEAN Eng, HK Eng) (models 31G 31H)	14F0032	*
Power cord (EMEA) (models 31G)	13F9996	*
Power cord (EMEA, LA) (models 31S 31P 31L 31D 31Y 31G)	14F0068	*
Power cord (APU) (models 31Y)	36L8879	*
Power cord (China, HK) (models 31C 31B 31H)	02K0545	*
Power cord (EMEA) (models 31G)	14F0086	*
Power cord (EMEA, ANZ, ASEAN Eng) (models 31G)	14F0014	*
Power cord (EMEA) (models 31G)	14F0050	*
Power cord (India) (models 31Q)	49P2078	*

8146 Windows XP Pro Recovery CDs	FRU #	CRU
US (models 31U 31L 31M 31A 31Q 31T 31H 31E)	39J6597	*
FR (models 31F 31G)	39J6598	*
GR (models 31G)	39J6599	*
IT (models 31G)	39J6601	*
SP (models 31S 31D 31Y 31G)	39J6600	*
BR (models 31P)	39J6602	*
DK (models 31G)	39J6600	*
NL (models 31G)	39J6607	*
AE (models 31G)	39J6611	*
SV (models 31G)	39J6603	*
HE (models 31G)	39J6608	*
FI (models 31G)	39J6605	*
NO (models 31G)	39J6606	*
PL (models 31G)	39J6609	*
PO (models 31G)	39J6615	*
RU (models 31G)	41D1198	*
RE (models 31G)	41D1223	*
HU (models 31G)	39J6614	*
CZ (models 31G)	39J6610	*
TR (models 31G)	39J6602	*
GK (models 31G)	39J6616	*
SL (models 31G)	39J6617	*
JP (models 31J)	30R4762	*
CS (models 31C)	30R4741	*
TW (models 31V)	30R4748	*
HK (models 31B)	30R4755	*
KR (models 31K)	30R4734	*
Multilingual 1 (models 31G)	39J6215	*
Multilingual 2 (models 31G)	39J6216	*



# Machine Type 8171



Item #	8171 FRUs	FRU#	CRU
1	Cover (all models)	26K1217	**
2	Power Supply (225 Watt) (models 63K 64G 65U 66U 67U 6AU 6AF 6AG 6AM 6AA 6AT 6AK 6AJ 6BU 6BF 6CU 6CF 6DU 6EU 6GU 6HU 6JG BJA BJT BMU BMF BMG BMM BMA BMT BMK BMJ BNU BPG DGU DHU DHA DHT DJG CJU CKU CLU CMU CNU 31M 31A 31T 31K 23J 24J 33J 34J 22E 22J 31J CTO 11U 21U 21G 28A 28T 29G 2AA 2AT 31U 31F 31G 31E 35U 35A 35T 36U 38K 3AG 3BA 3BT 3CG CAU CBU CDU 21F A3U A4U A5U A6U 13A 13T 15U 15F 2CU 2DU 3FU 3FF 3FG 3FM 3FA 3FT 3FK 3FE 3FJ 3GU 3HU CEU A7K A8U 16J 18K 19K 2EU 2EF 2FU 3KU 3KF 3LU 3LF 4GK 4HJ 4JU 4KU 4KF 4LU 4LF 4MU 4NU B1J B2J B3J B4G B5A B5T B6A B6T BBK BCK BDU BDF D1G D2J D3J D4J D5K D6K D7A D7T D8A D8T DBU DBF CGU CHU A9K AAK 1DK 1EK 1FK 1GK 1HU 1HF 2HK 2JK 2KU 2MU 2MF 3QK 3RU 3SU 3SF 4QG 4RK 2PU ABU ACU ADU AEU AFU 1JU 1KU 2RU 2RF 2SU 2TU 2TF 2UU 2VK 2WA 2WT 2XU 57U 57G 58U 58F 58G 58M 58A 58T 58K 58J 59G 5AU 5AF 5BK 5CU 5DU 5EU 3VK 3WU 3WF 3XU 3YU 3YF 71K 4TU 4WU 4XU 4XF 4XG 4XM 4XA 4XT 4XK 4XJ 4YU 62U 62F 6KU)	24R2567	**

Item #	8171 FRUs	FRU#	CRU
2	Power Supply (225 Watt) (China) (models 62S 62P 62Y 68C 68B 68H 69C 6AS 6AP 6AD 6AY 6AQ 6AC 6AB 6AH 6AV 6LS 6LP 6LY 6FS 6FP 6FY 6FQ 6JS 6JP 6JY 6MS 6MP 6MY BHB BHH BJS BJP BJY BJQ BKC BLC BMS BMP BMD BMY BMQ BMC BMB BMH BMV DFB DFH DHS DHP DHY DHQ DKC DLS DLP DLY 4SS 4SP 4SY BFS BFP BFY BGS BGP BGY DDS DDP DDY DES DEP DEY AGS AHS AHP 2QB 2QH 2WS 2WP 2WY 2WQ 58S 58P 58D 58Y 58Q 58C 58B 58H 58V 5AS 5AP 5AY 3UB 3UH 3VC 3VB 3VH 3VV 71B 71H 4UC 4UV 4VS 4VP 4VY 4VC 4XS 4XP 4XD 4XY 4XQ 4XC 4XB 4XH 4XV 61C 61B 61H 31S 31P 31Y 31C 31B 31H 31V 25S 25L 25Y 26S 26Y 27B 27H 2BQ 31S 31P 31L 31D 31Y 31Q 37S 37P 37Y 38C 38B 38H 38V 39Q A1S A1L A1Y A2S A2L A2Y 12S 12L 12Y 13Q 13C 13B 13H 13V 14S 14L 14Y 3DS 3DL 3DY 3ES 3EL 3EY 3FS 3FP 3FL 3FD 3FY 3FQ 3FC 3FB 3FH 3FV 17B 17H 1AC 1BS 1BY 3JS 3JY 3LS 4LS 4LY 4PS 4PY B5Q B6Q B7C B8C B9V BAB BAH BDS BDY D7Q D8Q D9C DAB DAH DAV DBS DBY CTO-A CTO-L 1CC 1CB 1CH 1FC 1FB 1FH 1FV 1GC 1GB 1GH 1GV 2GB 2GH 2NS 2NP 2NY 3MC 3MB 3MH 3MV 3NC 3NB 3NH 3NV 3PC 3PB 3PH 3PV 3TS 3TP 3TY)	24R2570	**
3	CD-ROM Drive 48X - Black w/o jack & vol (models A9K 1CC 1CB 1CH 1DK 1FC 1FB 1FH 1FV 1FK 1HU 1HF 2GB 2GH 2HK 2KU 2MU 2MF 3MC 3MB 3MH 3MV 3NC 3NB 3NH 3NV 3RU 3SU 3SF 31S 31P 31Y 31M 31A 31T 31C 31B 31H 31V 31K 23J 33J 22E 22J 31J CTO 11U 21U 21G 25S 25L 25Y 27B 27H 28A 28T 2AA 2AT 2BQ 31U 31F 31S 31P 31L 31D 31Y 31G 31Q 31E 35U 35A 35T 37S 37P 37Y 38C 38B 38H 38V 38K 39Q 3BA 3BT 21F A1S A1L A1Y A2S A2L A2Y A3U A4U A5U A6U 13A 13Q 13T 13C 13B 13H 13V 14S 14L 14Y 15U 15F 3ES 3EL 3EY A7K A8U 16J 17B 17H 18K 19K 1AC 1BS 1BY 2FU 3KU 3KF 4HJ 4JU 4PS 4PY B2J B5A B5Q B5T B9V BAB BAH BBK BDU BDF BDS BDY D3J D7A D7Q D7T DAB DAH DAV DBU DBF DBS DBY)	71P7371	*
3	CD-ROM Drive 48X - Black w/o jack & vol (models A9K 1CC 1CB 1CH 1DK 1FC 1FB 1FH 1FV 1FK 1HU 1HF 2GB 2GH 2HK 2KU 2MU 2MF 3MC 3MB 3MH 3MV 3NC 3NB 3NH 3NV 3RU 3SU 3SF 31S 31P 31Y 31M 31A 31T 31C 31B 31H 31V 31K 23J 33J 22E 22J 31J CTO 11U 21U 21G 25S 25L 25Y 27B 27H 28A 28T 2AA 2AT 2BQ 31U 31F 31S 31P 31L 31D 31Y 31G 31Q 31E 35U 35A 35T 37S 37P 37Y 38C 38B 38H 38V 38K 39Q 3BA 3BT 21F A1S A1L A1Y A2S A2L A2Y A3U A4U A5U A6U 13A 13Q 13T 13C 13B 13H 13V 14S 14L 14Y 15U 15F 3ES 3EL 3EY A7K A8U 16J 17B 17H 18K 19K 1AC 1BS 1BY 2FU 3KU 3KF 4HJ 4JU 4PS 4PY B2J B5A B5Q B5T B9V BAB BAH BBK BDU BDF BDS BDY D3J D7A D7Q D7T DAB DAH DAV DBU DBF DBS DBY)	71P7375	*
3	CD-ROM Drive 48X - Black w/o jack & vol (models A9K 1CC 1CB 1CH 1DK 1FC 1FB 1FH 1FV 1FK 1HU 1HF 2GB 2GH 2HK 2KU 2MU 2MF 3MC 3MB 3MH 3MV 3NC 3NB 3NH 3NV 3RU 3SU 3SF 31S 31P 31Y 31M 31A 31T 31C 31B 31H 31V 31K 23J 33J 22E 22J 31J CTO 11U 21U 21G 25S 25L 25Y 27B 27H 28A 28T 2AA 2AT 2BQ 31U 31F 31S 31P 31L 31D 31Y 31G 31Q 31E 35U 35A 35T 37S 37P 37Y 38C 38B 38H 38V 38K 39Q 3BA 3BT 21F A1S A1L A1Y A2S A2L A2Y A3U A4U A5U A6U 13A 13Q 13T 13C 13B 13H 13V 14S 14L 14Y 15U 15F 3ES 3EL 3EY A7K A8U 16J 17B 17H 18K 19K 1AC 1BS 1BY 2FU 3KU 3KF 4HJ 4JU 4PS 4PY B2J B5A B5Q B5T B9V BAB BAH BBK BDU BDF BDS BDY D3J D7A D7Q D7T DAB DAH DAV DBU DBF DBS DBY)	71P7385	*
3	CD-ROM Drive 48X - Black w/o jack & vol (models A9K 1CC 1CB 1CH 1DK 1FC 1FB 1FH 1FV 1FK 1HU 1HF 2GB 2GH 2HK 2KU 2MU 2MF 3MC 3MB 3MH 3MV 3NC 3NB 3NH 3NV 3RU 3SU 3SF 31S 31P 31Y 31M 31A 31T 31C 31B 31H 31V 31K 23J 33J 22E 22J 31J CTO 11U 21U 21G 25S 25L 25Y 27B 27H 28A 28T 2AA 2AT 2BQ 31U 31F 31S 31P 31L 31D 31Y 31G 31Q 31E 35U 35A 35T 37S 37P 37Y 38C 38B 38H 38V 38K 39Q 3BA 3BT 21F A1S A1L A1Y A2S A2L A2Y A3U A4U A5U A6U 13A 13Q 13T 13C 13B 13H 13V 14S 14L 14Y 15U 15F 3ES 3EL 3EY A7K A8U 16J 17B 17H 18K 19K 1AC 1BS 1BY 2FU 3KU 3KF 4HJ 4JU 4PS 4PY B2J B5A B5Q B5T B9V BAB BAH BBK BDU BDF BDS BDY D3J D7A D7Q D7T DAB DAH DAV DBU DBF DBS DBY)	71P7377	*

Item #	8171 FRUs	FRU#	CRU
3	CD-ROM Drive 48X - Black w/o jack & vol (models A9K 1CC 1CB 1CH 1DK 1FC 1FB 1FH 1FV 1FK 1HU 1HF 2GB 2GH 2HK 2KU 2MU 2MF 3MC 3MB 3MH 3MV 3NC 3NB 3NH 3NV 3RU 3SU 3SF)	39M3511	*
3	CD-ROM Drive 48X - Black w/o jack & vol (models ABU ACU AGS ADU AEU AHS AHP AFU 1JU 1KU 2QB 2QH 2RU 2RF 2VK 2WS 2WP 2WY 2WA 2WQ 2WT 2XU 57U 57G 5AU 5AF 5AS 5AP 5AY 3UB 3UH 3VC 3VB 3VH 3VV 3VK 3WU 3WF 3XU 4UC 4UV 4VS 4VP 4VY 4VC 4WU 4XU 4XF 4XS 4XP 4XD 4XY 4XG 4XM 4XA 4XQ 4XT 4XC 4XB 4XH 4XV 4XK 4XJ 4YU 61C 61B 61H 62U 62F A9K 1CC 1CB 1CH 1DK 1FC 1FB 1FH 1FV 1FK 1HU 1HF 2GB 2GH 2HK 2KU 2MU 2MF 3MC 3MB 3MH 3MV 3NC 3NB 3NH 3NV 3RU 3SU 3SF CTO 62S 62P 62Y 6LS 6LP 6LY 6DU 6FS 6FP 6FY 6FQ 6MS 6MP 6MY BHB BHH BJS BJP BJV BJA BJQ BJT BMU BMF BMS BMP BMD BMU BMG BMM BMA BMQ BMT BMC BMB BMH BMV BMK BMJ DFB DFH DGU)	40Y8807	*
3	DVD-ROM 16X/48X - Black (models 29G 3CG CTO 2CU 3FU 3FF 3FS 3FP 3FL 3FD 3FY 3FG 3FM 3FA 3FQ 3FT 3FC 3FB 3FH 3FV 3FK 3FE 3FJ 4KU 4KF B4G B7C B8C D1G 3PC 3PB 3PH 3PV 4QG)	33P3237	*
3	DVD-ROM 16X/48X - Black (models 29G 3CG CTO 2CU 3FU 3FF 3FS 3FP 3FL 3FD 3FY 3FG 3FM 3FA 3FQ 3FT 3FC 3FB 3FH 3FV 3FK 3FE 3FJ 4KU 4KF B4G B7C B8C D1G 3PC 3PB 3PH 3PV 4QG)	71P7357	*
3	DVD-ROM 16X/48X - Black (models 29G 3CG CTO 2CU 3FU 3FF 3FS 3FP 3FL 3FD 3FY 3FG 3FM 3FA 3FQ 3FT 3FC 3FB 3FH 3FV 3FK 3FE 3FJ 4KU 4KF B4G B7C B8C D1G 3PC 3PB 3PH 3PV 4QG)	26K5385	*
3	DVD-ROM 16X/48X - Black (models CTO 2CU 3FU 3FF 3FS 3FP 3FL 3FD 3FY 3FG 3FM 3FA 3FQ 3FT 3FC 3FB 3FH 3FV 3FK 3FE 3FJ 4KU 4KF B4G B7C B8C D1G 3PC 3PB 3PH 3PV 4QG)	26K5435	*
3	DVD-ROM 16X/48X - Black (models 3PC 3PB 3PH 3PV 4QG)	39M3513	*
3	DVD-ROM 16X/48X - Black (models 3PC 3PB 3PH 3PV 4QG)	39M3515	*
3	DVD-ROM 16X/48X - Black (models 3PC 3PB 3PH 3PV 4QG)	39M3517	*
3	DVD-ROM 16X/48X - Black (models CTO 3PC 3PB 3PH 3PV 4QG 2SU 58U 58F 58S 58P 58D 58Y 58G 58M 58A 58Q 58T 58C 58B 58H 58V 58K 58J 59G 71B 71H 71K 68C 68B 68H 69C 6AU 6AF 6AS 6AP 6AD 6AY 6AG 6AM 6AA 6AQ 6AT 6AC 6AB 6AH 6AV 6AK 6AJ 6BU 6BF 6JS 6JP 6JY 6JG BKC BLC BPG DJG)	40Y8803	*
3	DVD-ROM 16X/48X - Black (models CTO 3PC 3PB 3PH 3PV 4QG 2SU 58U 58F 58S 58P 58D 58Y 58G 58M 58A 58Q 58T 58C 58B 58H 58V 58K 58J 59G 71B 71H 71K 68C 68B 68H 69C 6AU 6AF 6AS 6AP 6AD 6AY 6AG 6AM 6AA 6AQ 6AT 6AC 6AB 6AH 6AV 6AK 6AJ 6BU 6BF 6JS 6JP 6JY 6JG BKC BLC BPG DJG)	40Y8811	*
3	DVD-ROM 16X/48X - Black (models CTO 3PC 3PB 3PH 3PV 4QG 2SU 58U 58F 58S 58P 58D 58Y 58G 58M 58A 58Q 58T 58C 58B 58H 58V 58K 58J 59G 71B 71H 71K 68C 68B 68H 69C 6AU 6AF 6AS 6AP 6AD 6AY 6AG 6AM 6AA 6AQ 6AT 6AC 6AB 6AH 6AV 6AK 6AJ 6BU 6BF 6JS 6JP 6JY 6JG BKC BLC BPG DJG)	40Y8935	*
3	CD-RW Drive (48X/32X/48X) (models CTO B6A B6Q B6T D8A D8Q D8T 2NS 2NP 2NY 3TS 3TP 3TY 4SS 4SP 4SY BFS BFP BFY DDS DDP DDY)	71P7347	*
3	CD-RW Drive (48X/32X/48X) (models CTO B6A B6Q B6T D8A D8Q D8T 2NS 2NP 2NY 3TS 3TP 3TY 4SS 4SP 4SY BFS BFP BFY DDS DDP DDY)	71P7349	*
3	CD-RW Drive (48X/32X/48X) (models CTO B6A B6Q B6T D8A D8Q D8T 2NS 2NP 2NY 3TS 3TP 3TY 4SS 4SP 4SY BFS BFP BFY DDS DDP DDY)	26K5401	*
3	CD-RW Drive (48X/32X/48X) (models CTO B6A B6Q B6T D8A D8Q D8T 2NS 2NP 2NY 3TS 3TP 3TY 4SS 4SP 4SY BFS BFP BFY DDS DDP DDY)	26K5449	*
3	CD-RW Drive (48X/32X/48X) (models CTO B6A B6Q B6T D8A D8Q D8T 2NS 2NP 2NY 3TS 3TP 3TY 4SS 4SP 4SY BFS BFP BFY DDS DDP DDY)	40Y8901	*

Item #	8171 FRUs	FRU#	CRU
3	CD-RW Drive (48X/32X/48X) (models CTO B6A B6Q B6T D8A D8Q D8T 2NS 2NP 2NY 3TS 3TP 3TY 4SS 4SP 4SY BFS BFP BFY DDS DDP DDY)	40Y8937	*
3	Universal Combo Drive (48x/24x/48x/16x) -- optional to 26K5379 and 26K5381 (models 24J 34J CTO 3AG 2DU 3GU 3HU 2EU 2EF 3LU 3LF 3LS 4GK 4LU 4LF 4LS 4LY 4MU B3J BCK D4J D5K D6K D9C AAK 1EK 1GC 1GB 1GH 1GV 1GK 2JK 4RK BGS BGP BGY DES DEP DEY 2PU)	26K5390	*
3	DVD-ROM/CD-RW Combo Drive (48x/24x/48x/16x) (24J 34J CTO 3AG 2DU 3GU 3HU 2EU 2EF 3LU 3LF 3LS 4GK 4LU 4LF 4LS 4LY 4MU B3J BCK D4J D5K D6K D9C AAK 1EK 1GC 1GB 1GH 1GV 1GK 2JK 4RK BGS BGP BGY DES DEP DEY 2PU)	26K5379	*
3	DVD-ROM/CD-RW Combo Drive (48x/24x/48x/16x) (models 24J 34J CTO 3AG 2DU 3GU 3HU 2EU 2EF 3LU 3LF 3LS 4GK 4LU 4LF 4LS 4LY 4MU B3J BCK D4J D5K D6K D9C AAK 1EK 1GC 1GB 1GH 1GV 1GK 2JK 4RK BGS BGP BGY DES DEP DEY 2PU)	26K5381	*
3	DVD-ROM/CD-RW Combo Drive (48x/24x/48x/16x) (models 24J 34J CTO 3AG 2DU 3GU 3HU 2EU 2EF 3LU 3LF 3LS 4GK 4LU 4LF 4LS 4LY 4MU B3J BCK D4J D5K D6K D9C AAK 1EK 1GC 1GB 1GH 1GV 1GK 2JK 4RK BGS BGP BGY DES DEP DEY 2PU)	26K5429	*
3	DVD-ROM/CD-RW Combo Drive (48x/24x/48x/16x) (models AAK 1EK 1GC 1GB 1GH 1GV 1GK 2JK 4RK BGS BGP BGY DES DEP DEY 2PU)	39M3539	*
3	DVD-ROM/CD-RW Combo Drive (48x/32x/48x/16x) (models CTO AAK 1EK 1GC 1GB 1GH 1GV 1GK 2JK 4RK BGS BGP BGY DES DEP DEY 2PU 2TU 2TF 2UU 5BK 5CU 5DU 5EU 3YU 3YF 63K 64G 65U 66U 67U 6CU 6CF 6GU 6HU BNU DHU DHS DHP DHY DHA DHQ DHT DKC DLS DLP DLY)	40Y8781	*
3	DVD-ROM/CD-RW Combo Drive (48x/32x/48x/16x) (models CTO AAK 1EK 1GC 1GB 1GH 1GV 1GK 2JK 4RK BGS BGP BGY DES DEP DEY 2PU 2TU 2TF 2UU 5BK 5CU 5DU 5EU 3YU 3YF 63K 64G 65U 66U 67U 6CU 6CF 6GU 6HU BNU DHU DHS DHP DHY DHA DHQ DHT DKC DLS DLP DLY)	40Y8903	*
3	DVD-ROM/CD-RW Combo Drive (48x/32x/48x/16x) (models CTO AAK 1EK 1GC 1GB 1GH 1GV 1GK 2JK 4RK BGS BGP BGY DES DEP DEY 2PU 2TU 2TF 2UU 5BK 5CU 5DU 5EU 3YU 3YF 63K 64G 65U 66U 67U 6CU 6CF 6GU 6HU BNU DHU DHS DHP DHY DHA DHQ DHT DKC DLS DLP DLY)	40Y8919	*
3	Universal Rambo drive (Black) (models CTO 4NU B1J D2J)	26K5377	*
3	Multi-Burner Plus (Rambo IV) (models CTO 4NU B1J D2J)	26K5383	*
3	Multi-Burner Plus (Rambo VI) (models CTO)	26K5441	*
3	Multi-Burner Plus (Rambo VI) (models CTO)	39M3519	*
3	Multi-Burner Plus (Rambo VI) (models CTO 6KU)	40Y8799	*
3	Multi-Burner Plus (Rambo VI) (models CTO 6KU)	40Y8909	*
4	HDD 40GB 7200rpm Serial ATA (models 31S 31P 31Y 31M 31A 31T 31C 31B 31H 31V 31K 31J CTO 11U 21U 21G 26S 26Y 28A 28T 2AA 2AT 2BQ 31U 31F 31S 31P 31L 31D 31Y 31G 31Q 31E 35U 35A 35T 36U 39Q 3BA 3BT 21F A1S A1L A1Y A2S A2L A2Y A3U A4U A5U A6U 12S 12L 12Y 13A 13Q 13T 13C 13B 13H 13V 15U 15F 2CU A7K A8U 18K 1AC 2FU 3JS 3JY 3KU 3KF 4JU 4KU 4KF B5A B5Q B5T B9V BBK D7A D7Q D7T)	71P7312	*

Item #	8171 FRUs	FRU#	CRU
4	HDD 40GB 7200rpm Serial ATA (models 4TU 4WU 4XU 4XF 4XS 4XP 4XD 4XY 4XG 4XM 4XA 4XQ 4XT 4XC 4XB 4XH 4XV 4XK 4XJ 4YU 6BU 6BF 6DU 6EU BMU BMF BMS BMP BMD BMY BMG BMM BMA BMQ BMT BMC BMB BMH BMV BMK BMJ DGU 31S 31P 31Y 31M 31A 31T 31C 31B 31H 31V 31K 31J CTO 11U 21U 21G 26S 26Y 28A 28T 2AA 2AT 2BQ 31U 31F 31S 31P 31L 31D 31Y 31G 31Q 31E 35U 35A 35T 36U 39Q 3BA 3BT 21F A1S A1L A1Y A2S A2L A2Y A3U A4U A5U A6U 12S 12L 12Y 13A 13Q 13T 13C 13B 13H 13V 15U 15F 2CU A7K A8U 18K 1AC 2FU 3JS 3JY 3KU 3KF 4JU 4KU 4KF B5A B5Q B5T B9V BBK D7A D7Q D7T ABU ACU ADU AEU AFU 1JU 1KU 2RU 2RF 2SU 2XU 57U 57G 58U 58F 58S 58P 58D 58Y 58G 58M 58A 58Q 58T 58C 58B 58H 58V 58K 58J 3VC 3VB 3VH 3VV 3VK 3WU 3WF 3XU)	40Y8760	*
4	HDD 40GB 7200rpm Serial ATA (models 4TU 4WU 4XU 4XF 4XS 4XP 4XD 4XY 4XG 4XM 4XA 4XQ 4XT 4XC 4XB 4XH 4XV 4XK 4XJ 4YU 6BU 6BF 6DU 6EU BMU BMF BMS BMP BMD BMY BMG BMM BMA BMQ BMT BMC BMB BMH BMV BMK BMJ DGU 31S 31P 31Y 31M 31A 31T 31C 31B 31H 31V 31K 31J CTO 11U 21U 21G 26S 26Y 28A 28T 2AA 2AT 2BQ 31U 31F 31S 31P 31L 31D 31Y 31G 31Q 31E 35U 35A 35T 36U 39Q 3BA 3BT 21F A1S A1L A1Y A2S A2L A2Y A3U A4U A5U A6U 12S 12L 12Y 13A 13Q 13T 13C 13B 13H 13V 15U 15F 2CU A7K A8U 18K 1AC 2FU 3JS 3JY 3KU 3KF 4JU 4KU 4KF B5A B5Q B5T B9V BBK D7A D7Q D7T ABU ACU ADU AEU AFU 1JU 1KU 2RU 2RF 2SU 2XU 57U 57G 58U 58F 58S 58P 58D 58Y 58G 58M 58A 58Q 58T 58C 58B 58H 58V 58K 58J 3VC 3VB 3VH 3VV 3VK 3WU 3WF 3XU)	40Y9033	*
4	HDD 80GB 7200rpm Serial ATA (models 2GB 2GH 2HK 2JK 2KU 2MU 2MF 2NS 2NP 2NY 3MC 3MB 3MH 3MV 3NC 3NB 3NH 3NV 3PC 3PB 3PH 3PV 3QK 3RU 3SU 3SF 3TS 3TP 3TY 4QG 4SS 4SP 4SY BFS BFP BFY BGS BGP BGY DDS DDP DDY DES DEP DEY 2PU 23J 24J 33J 34J 22E 22J CTO 25S 25L 25Y 27B 27H 29G 37S 37P 37Y 38C 38B 38H 38V 38K 3AG 3CG 14S 14L 14Y 2DU 3DS 3DL 3DY 3ES 3EL 3EY 3FU 3FF 3FS 3FP 3FL 3FD 3FY 3FG 3FM 3FA 3FQ 3FT 3FC 3FB 3FH 3FV 3FK 3FE 3FJ 3GU 3HU 16J 17B 17H 19K 1BS 1BY 2EU 2EF 3LU 3LF 3LS 4HJ 4LU 4LF 4LS 4LY 4MU 4NU 4PS 4PY B1J B2J B3J B4G B6A B6Q B6T B7C B8C BAB BAH BCK BDU BDF BDS BDY D1G D2J D3J D4J D5K D6K D8A D8Q D8T DAB DAH DAV DBU DBF DBS DBY A9K AAK 1CC 1CB 1CH 1DK 1EK 1FC 1FB 1FH 1FV 1FK 1GC 1GB 1GH 1GV 1GK 1HU 1HF)	71P7293	*
4	HDD 80GB 7200rpm Serial ATA (models 62S 62P 62Y 63K 64G 65U 66U 67U 68C 68B 68H 69C 6AU 6AF 6AS 6AP 6AD 6AY 6AG 6AM 6AA 6AQ 6AT 6AC 6AB 6AH 6AV 6AK 6AJ 6LS 6LP 6LY 6CU 6CF 6FS 6FP 6FY 6FQ 6GU 6HU 6JS 6JP 6JY 6JG 6KU 6MS 6MP 6MY BHB BHH BJS BJP BJY BJA BJQ BJT BKC BLC BNU BPG DFB DFH DHU DHS DHP DHY DHA DHQ DHT DJG DLS DLP DLY AGS AHS AHP 2QB 2QH 2TU 2TF 2UU 2VK 2WS 2WP 2WY 2WA 2WQ 2WT 59G 5AU 5AF 5AS 5AP 5AY 5BK 5CU 5DU 5EU 3UB 3UH 3YU 3YF 71B 71H 71K 4UC 4UV 4VS 4VP 4VY 4VC 61C 61B 61H 62U 62F 2GB 2GH 2HK 2JK 2KU 2MU 2MF 2NS 2NP 2NY 3MC 3MB 3MH 3MV 3NC 3NB 3NH 3NV 3PC 3PB 3PH 3PV 3QK 3RU 3SU 3SF 3TS 3TP 3TY 4QG 4SS 4SP 4SY BFS BFP BFY BGS BGP BGY DDS DDP DDY DES DEP DEY 2PU 23J 24J 33J 34J 22E 22J CTO 25S 25L 25Y 27B 27H 29G 37S 37P 37Y 38C 38B 38H 38V 38K 3AG 3CG 14S 14L 14Y 2DU 3DS 3DL 3DY 3ES 3EL 3EY 3FU 3FF 3FS 3FP 3FL 3FD 3FY 3FG 3FM 3FA 3FQ 3FT 3FC 3FB 3FH 3FV 3FK 3FE 3FJ 3GU 3HU 16J 17B 17H 19K 1BS 1BY 2EU 2EF 3LU 3LF 3LS 4HJ 4LU 4LF 4LS 4LY 4MU 4NU 4PS 4PY B1J B2J B3J B4G B6A B6Q B6T B7C B8C BAB BAH BCK BDU BDF BDS BDY D1G D2J D3J D4J D5K D6K D8A D8Q D8T DAB DAH DAV DBU DBF DBS DBY A9K AAK 1CC 1CB 1CH 1DK 1EK 1FC 1FB 1FH 1FV 1FK 1GC 1GB 1GH 1GV 1GK 1HU 1HF)	40Y8761	*



Item #	8171 FRUs	FRU#	CRU
4	HDD 80GB 7200rpm Serial ATA (models 62S 62P 62Y 63K 64G 65U 66U 67U 68C 68B 68H 69C 6AU 6AF 6AS 6AP 6AD 6AY 6AG 6AM 6AA 6AQ 6AT 6AC 6AB 6AH 6AV 6AK 6AJ 6LS 6LP 6LY 6CU 6CF 6FS 6FP 6FY 6FQ 6GU 6HU 6JS 6JP 6JY 6JG 6KU 6MS 6MP 6MY BHB BHH BJS BJP BJY BJA BJQ BJT BKC BLC BNU BPG DFB DFH DHU DHS DHP DHY DHA DHQ DHT DJG DLS DLP DLY AGS AHS AHP 2QB 2QH 2TU 2TF 2UU 2VK 2WS 2WP 2WY 2WA 2WQ 2WT 59G 5AU 5AF 5AS 5AP 5AY 5BK 5CU 5DU 5EU 5UB 5UH 5YU 5YF 71B 71H 71K 4UC 4UV 4VS 4VP 4VY 4VC 61C 61B 61H 62U 62F 2GB 2GH 2HK 2JK 2KU 2MU 2MF 2NS 2NP 2NY 3MC 3MB 3MH 3MV 3NC 3NB 3NH 3NV 3PC 3PB 3PH 3PV 3QK 3RU 3SU 3SF 3TS 3TP 3TY 4QG 4SS 4SP 4SY BFS BFP BFY BGS BGP BGY DDS DDP DDY DES DEP DEY 2PU 23J 24J 33J 34J 22E 22J CTO 25S 25L 25Y 27B 27H 29G 37S 37P 37Y 38C 38B 38H 38V 38K 3AG 3CG 14S 14L 14Y 2DU 3DS 3DL 3DY 3ES 3EL 3EY 3FU 3FF 3FS 3FP 3FL 3FD 3FY 3FG 3FM 3FA 3FQ 3FT 3FC 3FB 3FH 3FV 3FK 3FE 3FJ 3GU 3HU 16J 17B 17H 19K 1BS 1BY 2EU 2EF 3LU 3LF 3LS 4HJ 4LU 4LF 4LS 4LY 4MU 4NU 4PS 4PY B1J B2J B3J B4G B6A B6Q B6T B7C B8C BAB BAH BCK BDU BDF BDS BDY D1G D2J D3J D4J D5K D6K D8A D8Q D8T DAB DAH DAV DBU DBF DBS DBY A9K AAK 1CC 1CB 1CH 1DK 1EK 1FC 1FB 1FH 1FV 1FK 1GC 1GB 1GH 1GV 1GK 1HU 1HF)	40Y9034	*
4	HDD 160GB 7200rpm Serial ATA (models CTO 4GK D6K D9C 4RK)	71P7297	*
4	HDD 160GB 7200rpm Serial ATA (models CTO 4GK D6K D9C 4RK DLS DLP DLY)	40Y8762	*
4	HDD 160GB 7200rpm Serial ATA (models CTO 4GK D6K D9C 4RK DLS DLP DLY)	40Y9035	*
5	Rotating bay assembly (all models)	03R0285	*
6	Bezel Plastic Kit (all models)	26K1214	*
7	Diskette drive, Half Inch (slim) 1.44MB 3 Mode (models A7K A8U 16J 17B 17H 18K 19K 1AC 1BS 1BY 4GK 4HJ 4JU 4KU 4KF 4MU 4NU 4PS 4PY B1J B2J B3J B4G B5A B5Q B5T B6A B6Q B6T B7C B8C B9V BAB BAH BBK BCK BDU BDF BDS BDY D1G D2J D3J D4J D5K D6K D7A D7Q D7T D8A D8Q D8T D9C DAB DAH DAV DBU DBF DBS DBY A9K AAK 1CC 1CB 1CH 1DK 1EK 1FC 1FB 1FH 1FV 1FK 1GC 1GB 1GH 1GV 1GK 1HU 1HF 2GB 2GH 2HK 2JK 3MC 3MB 3MH 3MV 3NC 3NB 3NH 3NV 3PC 3PB 3PH 3PV 3QK 4QG 4RK 2PU 31S 31P 31Y 31M 31A 31T 31C 31B 31H 31V 31K 23J 24J 33J 34J 22E 22J 31J CTO 11U 21U 21G 25S 25L 25Y 27B 27H 28A 28T 29G 2AA 2AT 2BQ 31U 31F 31S 31P 31L 31D 31Y 31G 31Q 31E 35U 35A 35T 36U 37S 37P 37Y 38C 38B 38H 38V 38K 39Q 3AG 3BA 3BT 3CG CDU 21F A2S A2L A2Y A3U A4U A5U A6U 13A 13Q 13T 13C 13B 13H 13V 14S 14L 14Y 15U 15F 2CU 2DU 3ES 3EL 3EY 3FU 3FF 3FS 3FP 3FL 3FD 3FY 3FG 3FM 3FA 3FQ 3FT 3FC 3FB 3FH 3FV 3FK 3FE 3FJ 3GU 3HU 4EG 4FU)	36L8645	*
7	Diskette drive, Half Inch (slim) 1.44MB 3 Mode (models A9K AAK 1CC 1CB 1CH 1DK 1EK 1FC 1FB 1FH 1FV 1FK 1GC 1GB 1GH 1GV 1GK 1HU 1HF 2GB 2GH 2HK 2JK 3MC 3MB 3MH 3MV 3NC 3NB 3NH 3NV 3PC 3PB 3PH 3PV 3QK 4QG 4RK 2PU)	39M0107	*
7	Diskette drive, Half Inch (slim) 1.44MB 3 Mode (models A9K AAK 1CC 1CB 1CH 1DK 1EK 1FC 1FB 1FH 1FV 1FK 1GC 1GB 1GH 1GV 1GK 1HU 1HF 2GB 2GH 2HK 2JK 3MC 3MB 3MH 3MV 3NC 3NB 3NH 3NV 3PC 3PB 3PH 3PV 3QK 4QG 4RK 2PU)	39M0105	*

Item #	8171 FRUs	FRU#	CRU
7	Diskette drive, Half Inch (slim) 1.44MB 3 Mode (models 63K 64G 66U 67U 68C 68B 68H 69C 6AU 6AF 6AS 6AP 6AD 6AY 6AG 6AM 6AA 6AQ 6AT 6AC 6AB 6AH 6AV 6AK 6AJ 6LS 6LP 6LY 6BU 6BF 6DU 6EU 6FS 6FP 6FY 6FQ 6HU 6JS 6JP 6JY 6JG 6KU BHB BHH BJS BJP BJY BJA BJQ BJT BKC BLC BMU BMF BMS BMP BMD BMY BMG BMM BMA BMQ BMT BMC BMB BMH BMV BMK BMJ BNU BPG DFB DFH DGU DHU DHS DHP DHY DHA DHQ DHT DJG DKC DLS DLP DLY ABU ACU AGS ADU AEU AHS AHP AFU 1JU 1KU 2QB 2QH 2RU 2RF 2SU 2UU 2VK 2WS 2WP 2WY 2WA 2WQ 2WT 57U 57G 58U 58F 58S 58P 58D 58Y 58G 58M 58A 58Q 58T 58C 58B 58H 58V 58K 58J 59G 5BK 5DU 5EU 3UB 3UH 3VC 3VB 3VH 3VV 3VK 3XU 3YU 3YF 71B 71H 71K 4TU 4UC 4UV 4VS 4VP 4VY 4VC 4XU 4XF 4XS 4XP 4XD 4XY 4XG 4XM 4XA 4XQ 4XT 4XC 4XB 4XH 4XV 4XK 4XJ 4YU 61C 61B 61H A9K AAK 1CC 1CB 1CH 1DK 1EK 1FC 1FB 1FH 1FV 1FK 1GC 1GB 1GH 1GV 1GK 1HU 1HF 2GB 2GH 2HK 2JK 3MC 3MB 3MH 3MV 3NC 3NB 3NH 3NV 3PC 3PB 3PH 3PV 3QK 4QK 4RK 2PU CTO)	40Y9111	*
7	Diskette drive, Half Inch (slim) 1.44MB 3 Mode (models 63K 64G 66U 67U 68C 68B 68H 69C 6AU 6AF 6AS 6AP 6AD 6AY 6AG 6AM 6AA 6AQ 6AT 6AC 6AB 6AH 6AV 6AK 6AJ 6LS 6LP 6LY 6BU 6BF 6DU 6EU 6FS 6FP 6FY 6FQ 6HU 6JS 6JP 6JY 6JG 6KU BHB BHH BJS BJP BJY BJA BJQ BJT BKC BLC BMU BMF BMS BMP BMD BMY BMG BMM BMA BMQ BMT BMC BMB BMH BMV BMK BMJ BNU BPG DFB DFH DGU DHU DHS DHP DHY DHA DHQ DHT DJG DKC DLS DLP DLY ABU ACU AGS ADU AEU AHS AHP AFU 1JU 1KU 2QB 2QH 2RU 2RF 2SU 2UU 2VK 2WS 2WP 2WY 2WA 2WQ 2WT 57U 57G 58U 58F 58S 58P 58D 58Y 58G 58M 58A 58Q 58T 58C 58B 58H 58V 58K 58J 59G 5BK 5DU 5EU 3UB 3UH 3VC 3VB 3VH 3VV 3VK 3XU 3YU 3YF 71B 71H 71K 4TU 4UC 4UV 4VS 4VP 4VY 4VC 4XU 4XF 4XS 4XP 4XD 4XY 4XG 4XM 4XA 4XQ 4XT 4XC 4XB 4XH 4XV 4XK 4XJ 4YU 61C 61B 61H A9K AAK 1CC 1CB 1CH 1DK 1EK 1FC 1FB 1FH 1FV 1FK 1GC 1GB 1GH 1GV 1GK 1HU 1HF 2GB 2GH 2HK 2JK 3MC 3MB 3MH 3MV 3NC 3NB 3NH 3NV 3PC 3PB 3PH 3PV 3QK 4QK 4RK 2PU CTO)	40Y9109	*
8	Heat Sink, Side Car, P4 (all models)	26K1207	**
9	2.53 GHZ Celeron Prescott P4 (models CTO)	29R7203	**
9	2.66 GHZ Celeron Prescott P4 (models CTO A1S A1L A1Y A2S A2L A2Y A3U A4U 16J 17B 17H 18K 19K 1AC 1BS 1BY)	29R7205	**
9	2.8 GHZ Celeron Prescott P4 (models CTO A5U A6U)	29R7207	**
9	2.93 GHZ Celeron Prescott P4 (models CTO)	29R7209	**
9	3.06 GHZ Prescott P4 (models CTO A7K A8U CGU A9K AAK)	29R8205	**
9	2.53GHZ Celeron Prescott P4 326 (models CTO)	41D0515	**
9	2.66 GHZ Celeron Prescott P4 331 (models CTO ABU ACU AGS)	41D0517	**
9	2.8 GHZ Celeron Prescott P4 336 (models CTO ADU AEU AHS AHP)	41D0519	**
9	2.93 GHZ Celeron Prescott P4 (341 models CTO)	41D0521	**
9	3.06 GHZ Celeron Prescott P4 346 (models CTO AFU CJU)	41D0523	**
9	3.2 GHZ Celeron Prescott P4 351 (models CTO)	41D0525	**
9	2.66 GHZ Prescott P4 (models CTO 1CC 1CB 1CH 1DK 1EK)	29R7211	**
9	2.93 GHZ Prescott P4 (models CTO 12S 12L 12Y 13A 13Q 13T 13C 13B 13H 13V 14S 14L 14Y 15U 15F CEU 1FC 1FB 1FH 1FV 1FK 1GC 1GB 1GH 1GV 1GK 1HU 1HF)	29R7213	**
9	2.66 GHZ Prescott P4 (models CTO)	41D0670	**
9	2.93 GHZ Prescott P4 (models CTO 1KU CKU)	41D0671	**
9	3.06 GHZ Prescott P4 (models CTO)	41D0672	**
9	2.8 GHZ Prescott P4 (models 11U CTO)	19R0489	**

Item #	8171 FRUs	FRU#	CRU
9	3.0 GHZ Prescott P4 (models 23J 24J 22E 22J CTO 21U 21G 25S 25L 25Y 26S 26Y 27B 27H 28A 28T 29G 2AA 2AT 2BQ CAU 21F 2CU 2DU 2EU 2EF 2FU 2GB 2GH 2HK 2JK 2KU 2MU 2MF 2NS 2NP 2NY 2PU)	19R0490	**
9	3.2 GHZ Prescott P4 (models 31S 31P 31Y 31M 31A 31T 31C 31B 31H 31V 31K 33J 34J 31J CTO 31U 31F 31S 31P 31L 31D 31Y 31G 31Q 31E 35U 35A 35T 36U 37S 37P 37Y 38C 38B 38H 38V 38K 39Q 3AG 3BA 3BT 3CG CBU 3DS 3DL 3DY 3ES 3EL 3EY 3FU 3FF 3FS 3FP 3FL 3FD 3FY 3FG 3FM 3FA 3FQ 3FT 3FC 3FB 3FH 3FV 3FK 3FE 3FJ 3GU 3HU 3JS 3JY 3KU 3KF 3LU 3LF 3LS 3MC 3MB 3MH 3MV 3NC 3NB 3NH 3NV 3PC 3PB 3PH 3PV 3QK 3RU 3SU 3SF 3TS 3TP 3TY 4SS 4SP 4SY)	19R0491	**
9	3.4 GHZ Prescott P4 (models CTO 4GK 4HJ 4JU 4KU 4KF 4LU 4LF 4LS 4LY 4MU 4NU 4PS 4PY CHU 4QG 4RK)	19R0492	**
9	2.8 GHZ Prescott P4 (models CTO 1JU)	41D0708	**
9	3.0GHZ Prescott P4 531 (models CTO 2QB 2QH 2RU 2RF 2SU 2TU 2TF 2UU 2VK 2WS 2WP 2WY 2WA 2WQ 2WT 2XU 57U 57G 58U 58F 58S 58P 58D 58Y 58G 58M 58A 58Q 58T 58C 58B 58H 58V 58K 58J 59G 5AU 5AF 5AS 5AP 5AY 5BK 5CU 5DU 5EU CLU)	41D0527	**
9	3.2GHZ Prescott P4 541 (models CTO 3UB 3UH 3VC 3VB 3VH 3VV 3VK 3WU 3WF 3XU 3YU 3YF 71B 71H 71K 4TU 4UC 4UV 4VS 4VP 4VY 4VC 4WU 4XU 4XF 4XS 4XP 4XD 4XY 4XG 4XM 4XA 4XQ 4XT 4XC 4XB 4XH 4XV 4XK 4XJ 4YU 61C 61B 61H 62U 62F 62S 62P 62Y 63K 64G 65U 66U 67U 68C 68B 68H 69C 6AU 6AF 6AS 6AP 6AD 6AY 6AG 6AM 6AA 6AQ 6AT 6AC 6AB 6AH 6AV 6AK 6AJ 6LS 6LP 6LY CMU)	41D0529	**
9	3.4GHZ Prescott P4 551 (models CTO 6BU 6BF 6CU 6CF 6DU 6EU 6FS 6FP 6FY 6FQ 6GU 6HU 6JS 6JP 6JY 6JG 6KU 6MS 6MP 6MY CNU 6KU)	41D0531	**
9	3.0 GHZ Prescott P4 (models CTO B1J B2J B3J B4G B5A B5Q B5T B6A B6Q B6T B7C B8C B9V BAB BAH BBK BCK BDU BDF BDS BDY BFS BFP BFY BGS BGP BGY BHB BHH BJS BJP BJY BJA BJQ BJT BKC BLC BMU BMF BMS BMP BMD BMY BMG BMM BMA BMQ BMT BMC BMB BMH BMV BMK BMJ BNU BPG)	39J6583	**
9	3.2 GHZ Prescott P4 (models CTO D1G D2J D3J D4J D5K D6K D7A D7Q D7T D8A D8Q D8T D9C DAB DAH DAV DBU DBF DBS DBY DDS DDP DDY DES DEP DEY DFB DFH DGU DHU DHS DHP DHY DHA DHQ DHT DJG DKC DLS DLP DLY)	39J6585	**
9	3.4 GHZ Prescott P4 (models CTO)	39J6587	**
10	System Board (Intel 915G) 10/1000 w/ POV (models 2QB 2QH 2RU 2RF 2SU 2TU 2TF 2UU 3UB 3UH 3VC 3VB 3VH 3VV 3VK 3WU 3WF 3XU 3YU 3YF 71B 71H 71K 6BU 6BF 6CU 6CF CEU A7K A8U 16J 17B 17H 18K 19K 1AC 1BS 1BY 2EU 2EF 2FU 3JS 3JY 3KU 3KF 3LU 3LF 3LS 4GK 4HJ 4JU 4KU 4KF 4LU 4LF 4LS 4LY 4MU 4NU 4PS 4PY B1J B2J B3J B4G B5A B5Q B5T B6A B6Q B6T B7C B8C B9V BAB BAH BBK BCK BDU BDF BDS BDY D1G D2J D3J D4J D5K D6K D7A D7Q D7T D8A D8Q D8T D9C DAB DAH DAV DBU DBF DBS DBY CGU CHU 31S 31P 31Y 31M 31A 31T 31C 31B 31H 31V 31K 23J 24J 33J 34J 22E 22J 31J CTO 11U 21U 21G 25S 25L 25Y 26S 26Y 27B 27H 28A 28T 29G 2AA 2AT 2BQ 31U 31F 31S 31P 31L 31D 31Y 31G 31Q 31E 35U 35A 35T 36U 37S 37P 37Y 38C 38B 38H 38V 38K 39Q 3AG 3BA 3BT 3CG CAU CBU CDU 21F A1S A1L A1Y A2S A2L A2Y A3U A4U A5U A6U 12S 12L 12Y 13A 13Q 13T 13C 13B 13H 13V 14S 14L 14Y 15U 15F 2CU 2DU 3DS 3DL 3DY 3ES 3EL 3EY 3FU 3FF 3FS 3FP 3FL 3FD 3FY 3FG 3FM 3FA 3FQ 3FT 3FC 3FB 3FH 3FV 3FK 3FE 3FJ 3GU 3HU)	41X2837	**

Item #	8171 FRUs	FRU#	CRU
10	System Board (Intel 915GV) 10/1000 w/POV (models 69C 6AU 6AF 6AS 6AP 6AD 6AY 6AG 6AM 6AA 6AQ 6AT 6AC 6AB 6AH 6AV 6AK 6AJ 6LS 6LP 6LY 6DU 6EU 6FS 6FP 6FY 6FQ 6GU 6HU 6JS 6JP 6JY 6JG 6KC DLS DLP DLY CJU CKU CLU CMU CNU ABU ACU AGS ADU AEU AHS AHP AFU 1JU 1KU 2VK 2WS 2WP 2WY 2WA 2WQ 2WT 2XU 57U 57G 58U 58F 58S 58P 58D 58Y 58G 58M 58A 58Q 58T 58C 58B 58H 58V 58K 58J 59G 5AU 5AF 5AS 5AP 5AY 5BK 5CU 5DU 5EU 4TU 4UC 4UV 4VS 4VP 4VY 4VC 4WU 4XU 4XF 4XS 4XP 4XD 4XY 4XG 4XM 4XA 4XQ 4XT 4XC 4XB 4XH 4XV 4XK 4XJ 4YU 61C 61B 61H 62U 62F 62S 62P 62Y 63K 64G 65U 66U 67U 68C 68B 68H CTO A9K AAK 1CC 1CB 1CH 1DK 1EK 1FC 1FB 1FH 1FV 1FK 1GC 1GB 1GH 1GV 1GK 1HU 1HF 2GB 2GH 2HK 2JK 2KU 2MU 2MF 2NS 2NP 2NY 3MC 3MB 3MH 3MV 3NC 3NB 3NH 3NV 3PC 3PB 3PH 3PV 3QK 3RU 3SU 3SF 3TS 3TP 3TY 4QG 4RK 4SS 4SP 4SY BFS BFP BFY BGS BGP BGY DDS DDP DDY DES DEP DEY 2PU 6KU)	41X2838	**
11	256MB PC2 3200 Memory (DDR1) (models 23J 24J 33J 34J 22E 22J CTO 25S 25L 25Y 26S 26Y 27B 27H 28A 28T 29G 2BQ 36U 37S 37P 37Y 38C 38B 38H 38V 38K 39Q 3BA 3BT 3CG A1S A1L A1Y A2S A2L A2Y A5U 12S 12L 12Y 13A 13Q 13T 13C 13B 13H 13V 14S 14L 14Y 3DS 3DL 3DY 3ES 3EL 3EY AGS AGS ADU AHS AHP AFU 2QB 2QH 2VK 2WS 2WP 2WY 2WA 2WQ 2WT 3UB 3UH 4TU 4UC 4UV 4VS 4VP 4VY 4VC BHB BHH BJS BJP BJY BJA BJQ BJT BKC BLC DFB DFH A7K A8U 17B 17H 18K 1AC 1BS 1BY 3JS 3JY 4PS 4PY B7C B8C B9V BAB BAH BBK D9C DAB DAH DAV A9K AAK 1CC 1CB 1CH 1DK 1EK 1FC 1FB 1FH 1FV 1FK 1GC 1GB 1GH 1GV 1GK 2GB 2GH 2HK 2NS 2NP 2NY 3MC 3MB 3MH 3MV 4SS 4SP 4SY BFS BFP BFY 2PU)	73P2683	*
11	512MB PC2 3200 Memory (DDR1) (models 31S 31P 31Y 31M 31A 31T 31C 31B 31H 31V 31K 31J CTO 11U 21U 21G 2AA 2AT 31U 31F 31S 31P 31L 31D 31Y 31G 31Q 31E 35U 35A 35T 3AG 21F A3U A4U A6U 15U 15F 2CU 2DU 3FU 3FF 3FS 3FP 3FL 3FD 3FY 3FG 3FM 3FA 3FQ 3FT 3FC 3FB 3FH 3FV 3FK 3FE 3FJ 3GU 3HU 6MS 6MP 6MY BMU BMF BMS BMP BMD BMY BMG BMM BMA BMQ BMT BMC BMB BMH BMV BMK BMJ BNU BPG DGU DHU DHS DHP DHY DHA DHQ DHT DJG DKC 69C 6AU 6AF 6AS 6AP 6AD 6AY 6AG 6AM 6AA 6AQ 6AT 6AC 6AB 6AH 6AV 6AK 6AJ 6LS 6LP 6LY 6BU 6BF 6CU 6CF 6DU 6EU 6FS 6FP 6FY 6FQ 6GU 6HU 6JS 6JP 6JY 6JG 6KU DLS DLP DLY ABU ACU AEU 1JU 1KU 2RU 2RF 2SU 2TU 2TF 2UU 2XU 57U 57G 58U 58F 58S 58P 58D 58Y 58G 58M 58A 58Q 58T 58C 58B 58H 58V 58K 58J 59G 5AU 5AF 5AS 5AP 5AY 5BK 5CU 5DU 5EU 3VC 3VB 3VH 3VV 3VK 3WU 3WF 3XU 3YU 3YF 71B 71H 71K 4WU 4XU 4XF 4XS 4XP 4XD 4XY 4XG 4XM 4XA 4XQ 4XT 4XC 4XB 4XH 4XV 4XK 4XJ 4YU 61C 61B 61H 62U 62F 62S 62P 62Y 63K 64G 65U 66U 67U 68C 68B 68H 16J 19K 2EU 2EF 2FU 3KU 3KF 3LU 3LF 3LS 4GK 4HJ 4JU 4KU 4KF 4LU 4LF 4LS 4LY 4MU 4NU B1J B2J B3J B4G B5A B5Q B5T B6A B6Q B6T BCK BDU BDF BDS BDY)	73P2684	*
12	Riser card assembly (all models)	41A7730	*
13	Speaker assembly (All EXCEPT CAU CBU B8C D9C CJU CKU CLU CMU CNU BLC DKC)	03R0294	*
14	Chassis (all models)	26K1218	**

The FRUs listed in the following table are not illustrated.

8171 FRUs	FRU#	CRU
Tool-less hardfile tray (all models)	03R0302	*
Cable, PWR/LED (all models)	03R0283	*

8171 FRUs	FRU#	CRU
Lock assembly (Random keyed) (models 25S 25L 25Y 26S 26Y 27B 27H 28A 28T 29G 2BQ 35U 35A 35T 37S 37P 37Y 38C 38B 38H 38V 38K 39Q 3BA 3BT 3CG A1S A1L A1Y A2S A2L A2Y 12S 12L 12Y 13A 13Q 13T 13C 13B 13H 13V 14S 14L 14Y 3DS 3DL 3DY 3ES 3EL 3EY 3FU 3FF 3FS 3FP 3FL 3FD 3FY 3FG 3FM 3FA 3FQ 3FT 3FC 3FB 3FH 3FV 3FK 3FE 3FJ 16J 1BS 1BY 4HJ 4PS 4PY B1J B2J B3J B4G BDU BDF BDS BDY D1G D2J D3J D4J DBU DBF DBS DBY CTO 1HU 1HF 2KU 2MU 2MF 2NS 2NP 2NY 3QK 3RU 3SU 3SF 3TS 3TP 3TY 4QG 4SS 4SP 4SY BFS BFP BFY BGS BGP BGY DDS DDP DDY DES DEP DEY 2QB 2QH 2WS 2WP 2WY 2WA 2WQ 2WT 59G 5AU 5AF 5AS 5AP 5AY 3UB 3UH 71B 71H 71K 4VS 4VP 4VY 4VC 4YU 62U 62F 62S 62P 62Y 69C 6AU 6AF 6AS 6AP 6AD 6AY 6AG 6AM 6AA 6AQ 6AT 6AC 6AB 6AH 6AV 6AK 6AJ 6LS 6LP 6LY 6FS 6FP 6FY 6FQ 6JS 6JP 6JY 6JG 6MS 6MP 6MY BJS BJP BJY BJA BJQ BJT BMU BMF BMS BMP BMD BMY BMG BMM BMA BMQ BMT BMC BMB BMH BMV BMK BMJ BNU BPG DGU DHU DHS DHP DHY DHA DHQ DHT DJG DLS DLP DLY)	03R0287	*
Internal plastic kit (all models)	03R0289	*
Cable, optical 1-drop ATA 100 (all models)	03R0291	*
Cable, 2-drop ATA 100 (all models)	03R0292	*
Cable, SATA (all models)	03R0293	*
Speaker Assembly (All EXCEPT CAU CBU B8C D9C)	03R0294	*
Cable, Diskette drive (all models)	03R0297	*
C2 Cable (Squall) (models 25S 25L 25Y 26S 26Y 27B 27H 28A 28T 29G 2BQ 35U 35A 35T 37S 37P 37Y 38C 38B 38H 38V 38K 39Q 3BA 3BT 3CG A1S A1L A1Y A2S A2L A2Y 12S 12L 12Y 13A 13Q 13T 13C 13B 13H 13V 14S 14L 14Y 3DS 3DL 3DY 3ES 3EL 3EY 3FU 3FF 3FS 3FP 3FL 3FD 3FY 3FG 3FM 3FA 3FQ 3FT 3FC 3FB 3FH 3FV 3FK 3FE 3FJ 16J 1BS 1BY 4HJ 4PS 4PY B1J B2J B3J B4G BDU BDF BDS BDY D1G D2J D3J D4J DBU DBF DBS DBY CTO 1HU 1HF 2KU 2MU 2MF 2NS 2NP 2NY 3QK 3RU 3SU 3SF 3TS 3TP 3TY 4QG 4SS 4SP 4SY BFS BFP BFY BGS BGP BGY DDS DDP DDY DES DEP DEY 2QB 2QH 2WS 2WP 2WY 2WA 2WQ 2WT 59G 5AU 5AF 5AS 5AP 5AY 3UB 3UH 71B 71H 71K 4VS 4VP 4VY 4VC 4YU 62U 62F 62S 62P 62Y 69C 6AU 6AF 6AS 6AP 6AD 6AY 6AG 6AM 6AA 6AQ 6AT 6AC 6AB 6AH 6AV 6AK 6AJ 6LS 6LP 6LY 6FS 6FP 6FY 6FQ 6JS 6JP 6JY 6JG 6MS 6MP 6MY BJS BJP BJY BJA BJQ BJT BMU BMF BMS BMP BMD BMY BMG BMM BMA BMQ BMT BMC BMB BMH BMV BMK BMJ BNU BPG DGU DHU DHS DHP DHY DHA DHQ DHT DJG DLS DLP DLY)	09K9827	*
Shield, 5.25 EMC (all models)	19K5548	*
Floor stand and vertical deflector (all models)	74P0404	*
Battery (all models)	33F8354	*
Universal Adapter Bracket 5.25 to 3.5-inch	32P4743	*
Mouse, PS/2 2-button (Black)(models CTO)	24P0383	*
Mouse, PS/2 - 3 Button (Ball) Wheel (models 16J 4GK 4HJ B1J B2J B3J D2J D3J D4J CTO 4RK)	24P0491	*

8171 FRUs	FRU#	CRU
Mouse, optical wheel (models ABU ACU AGS ADU AEU AHS AHP AFU 1JU 1KU 2QB 2QH 2RU 2RF 2SU 2TU 2TF 2UU 2VK 2WS 2WP 2WY 2WA 2WQ 2WT 2XU 57U 57G 58U 58F 58S 58P 58D 58Y 58G 58M 58A 58Q 58T 58C 58B 58H 58V 58K 58J 59G 5AU 5AF 5AS 5AP 5AY 5BK 5CU 5DU 5EU 3UB 3UH 3VC 3VB 3VH 3VV 3VK 3WU 3WF 3XU 3YU 3YF 71B 71H 71K 4TU 4UC 4UV 4VS 4VP 4VY 4VC 4WU 4XU 4XF 4XS 4XP 4XD 4XY 4XG 4XM 4XA 4XQ 4XT 4XC 4XB 4XH 4XV 4XK 4XJ 4YU 61C 61B 61H 62U 62F DDS DDP DDY DES DEP DEY 2PU 62S 62P 62Y 63K 64G 65U 66U 67U 68C 68B 68H 69C 6AU 6AF 6AS 6AP 6AD 6AY 6AG 6AM 6AA 6AQ 6AT 6AC 6AB 6AH 6AV 6AK 6AJ 6LS 6LP 6LY 6BU 6BF 6CU 6CF 6DU 6EU 6FS 6FP 6FY 6FQ 6GU 6HU 6JS 6JP 6JY 6JG 6KU 6MS 6MP 6MY BHB BHH BJS BJP BJV BJA BJQ BJT BKC BLC BMU BMF BMS BMP BMD BMY BMG BMM BMA BMQ BMT BMC BMB BMH BMV BMK BMJ BNU BPG DFB DFH DGU DHU DHS DHP DHY DHA DHQ DHT DJG DKC DLS DLP DLY A7K A8U 17B 17H 18K 19K 1AC 1BS 1BY 2EU 2EF 2FU 3JS 3JY 3KU 3KF 3LU 3LF 3LS 4JU 4KU 4KF 4LU 4LF 4LS 4LY 4MU 4NU 4PS 4PY B4G B5A B5Q B5T B6A B6Q B6T B7C B8C B9V BAB BAH BBK BCK BDU BDF BDS BDY D1G D5K D6K D7A D7Q D7T D8A D8Q D8T D9C DAB DAH DAV DBU DBF DBS DBY CTO A9K AAK 1CC 1CB 1CH 1DK 1EK 1FC 1FB 1FH 1FV 1FK 1GC 1GB 1GH 1GV 1GK 1HU 1HF 2GB 2GH 2HK 2JK 2KU 2MU 2MF 2NS 2NP 2NY 3MC 3MB 3MH 3MV 3NC 3NB 3NH 3NV 3PC 3PB 3PH 3PV 3QK 3RU 3SU 3SF 3TS 3TP 3TY 4QG 4SS 4SP 4SY BFS BFP BFG BGS BGP BGY 31S 31P 31Y 31M 31A 31T 31C 31B 31H 31V 31K 23J 24J 33J 34J 22E 22J 31J CTO 11U 21U 21G 25S 25L 25Y 26S 26Y 27B 27H 28A 28T 29G 2AA 2AT 2BQ 31U 31F 31S 31P 31L 31D 31Y 31G 31Q 31E 35U 35A 35T 36U 37S 37P 37Y 38C 38B 38H 38V 38K 39Q 3AG 3BA 3BT 3CG 21F A1S A1L A1Y A2S A2L A2Y A3U A4U A5U A6U 12S 12L 12Y 13A 13Q 13T 13C 13B 13H 13V 14S 14L 14Y 15U 15F 2CU 2DU 3DS 3DL 3DY 3ES 3EL 3EY 3FU 3FF 3FS 3FP 3FL 3FD 3FY 3FG 3FM 3FA 3FQ 3FT 3FC 3FB 3FH 3FV 3FK 3FE 3FJ 3GU 3HU)	89P5089	*
Korean label (models 31K 38K A7K 18K 19K 4GK BBK BCK D5K D6K A9K AAK 1DK 1EK 1FK 1GK 2HK 2JK 3QK 4RK)	13R9162	*
Cable, Zip Drive 2 drop (all models)	88P7258	*
Fan assembly (all models)	26K1210	*
Planar tray (all models)	26K1213	**
Heat Sink Retention Module Asm (all models)	26K1206	**
Kensington Lock Spacer (all models)	41A7702	**
Planar I/O Shield Kit (all models)	41A7703	**
PCI Modem Card (Soft), ATX V.90 (models B8C D8A D8Q D8T)	22P7943	*
PCI-E Daughter Card DVI-D (models CTO 2SU 2UU 3XU)	19R2374	*
1394 Firewire PCI LP (ATX) (models CTO)	73P2608	*
Speakers, Jazz Infinity Active T1 (Black) (models B8C D9C BLC DKC)	25P4726	*
Speaker Power brick (newer 2 prong) - China, Thailand, Phillipines (models B8C D9C BLC DKC)	10K2597	*
RJ11 connector adapter (Spain, Ireland) (All 'G' models)	60H6043	*
RJ11 connector adapter (Austria) (All 'G' models)	60H6045	*
RJ11 connector adapter (Belgium) (All 'G' models)	60H6046	*
RJ11 connector adapter (Denmark) (All 'G' models)	60H6047	*
RJ11 connector adapter (Norway, Finland) (All 'G' models)	60H6048	*
RJ11 connector adapter (France) (All 'G' models)	60H6049	*
RJ11 connector adapter (Germany) (All 'G' models)	60H6050	*
RJ11 connector adapter (UK, NZ, HK) (All 'G', 'M', 'B', 'H' models)	60H6051	*
RJ11 connector adapter (Italy) (All 'G' models)	60H6052	*
RJ11 connector adapter (Netherlands) (All 'G' models)	60H6053	*

8171 FRUs	FRU#	CRU
RJ11 connector adapter (Sweden) (All 'G' models)	60H6054	*
RJ11 connector adapter (Switzerland) (All 'G' models)	60H6055	*

8171 Keyboards	FRU#	CRU
US English (models ABU ACU ADU AEU AFU 1JU 1KU 2QH 2RU 2SU 2TU 2UU 2WA 2WQ 2XU 57U 57G 58U 58G 58M 58A 58Q 58C 58H 59G 5CU 5DU 5EU 3UH 3VC 3VH 3WU 3XU 3YU 71H 4TU 4UC 4VC 4WU 4XU 4XG 4XM 4XA 4XQ 4XC 4XH 4YU 61C 61H 64G 65U 66U 67U 68C 68H 69C 6AU 6AG 6AM 6AA 6AQ 6AC 6AH 6BU 6CU 6DU 6EU 6FQ 6GU 6HU 6JG 6KU BHH BJA BJQ BKC BLC BMU BMG BMM BMA BMQ BMC BMH BNU BPG DFH DGU DHU DHA DHQ DJG DKC 31M 31A 31C 31H 22E CTO 11U 21U 21G 25L 27H 28A 29G 2AA 2BQ 31U 31L 31G 31Q 31E 35U 35A 36U 38C 38H 39Q 3AG 3BA 3CG A1L A2L A3U A4U A5U A6U 12L 13A 13Q 13C 13H 14L 15U 2CU 2DU 3DL 3EL 3FU 3FL 3FG 3FM 3FA 3FQ 3FC 3FH 3FE 3GU 3HU A8U 17H 1AC 2EU 2FU 3KU 3LU 4JU 4KU 4LU 4MU 4NU B4G B5A B5Q B6A B6Q B7C BAH BDU D1G D7A D7Q D8A D8Q DAH DBU 2PU)	89P8300	*
Arabic (models CTO-G 21G 29G 31G 3AG 3CG 3FG B4G D1G 64G 6AG 6JG BMG BPG DJG 57G 58G 59G 4XG)	89P8301	*
Belgian/French (models CTO-G 21G 29G 31G 3AG 3CG 3FG B4G D1G 64G 6AG 6JG BMG BPG DJG 57G 58G 59G 4XG)	89P8302	*
Belgian/UK (models CTO-G 21G 29G 31G 3AG 3CG 3FG B4G D1G 64G 6AG 6JG BMG BPG DJG 57G 58G 59G 4XG)	89P8303	*
Bulgarian (models CTO-G 21G 29G 31G 3AG 3CG 3FG B4G D1G 64G 6AG 6JG BMG BPG DJG 57G 58G 59G 4XG)	89P8305	*
Chinese/US (models 31B 31V 27B 38B 38V 13B 13V 3FB 3FV 17B B9V BAB DAB DAV 68B 6AB 6AV BHB BMB BMV DFB 2QB 58B 58V 3UB 3VB 3VV 71B 4UV 4XB 4XV 61B)	89P8306	*
Czech (models CTO-G 21G 29G 31G 3AG 3CG 3FG B4G D1G 64G 6AG 6JG BMG BPG DJG 57G 58G 59G 4XG)	89P8307	*
Danish (models CTO-G 21G 29G 31G 3AG 3CG 3FG B4G D1G 64G 6AG 6JG BMG BPG DJG 57G 58G 59G 4XG)	89P8308	*
Dutch (models CTO-G 21G 29G 31G 3AG 3CG 3FG B4G D1G 64G 6AG 6JG BMG BPG DJG 57G 58G 59G 4XG)	89P8309	*
French (models CTO-G 21G 29G 31G 3AG 3CG 3FG B4G D1G 64G 6AG 6JG BMG BPG DJG 57G 58G 59G 4XG)	89P8310	*
French Canadian 445 (models CTO-U 31F 21F 15F 3FF 2EF 3KF 3LF 4KF 4LF BDF DBF 6AF 6BF 6CF BMF 2RF 2TF 58F 3WF 3YF 4XF)	89P8311	*
French Canadian 58 (models CTO-U 31F 21F 15F 3FF 2EF 3KF 3LF 4KF 4LF BDF DBF 6AF 6BF 6CF BMF 2RF 2TF 58F 3WF 3YF 4XF)	89P8312	*
German (models CTO-G 21G 29G 31G 3AG 3CG 3FG B4G D1G 64G 6AG 6JG BMG BPG DJG 57G 58G 59G 4XG)	89P8313	*
Greek (models CTO-G 21G 29G 31G 3AG 3CG 3FG B4G D1G 64G 6AG 6JG BMG BPG DJG 57G 58G 59G 4XG)	89P8314	*
Hebrew (models CTO-G 21G 29G 31G 3AG 3CG 3FG B4G D1G 64G 6AG 6JG BMG BPG DJG 57G 58G 59G 4XG)	89P8315	*
Hungarian (models CTO-G 21G 29G 31G 3AG 3CG 3FG B4G D1G 64G 6AG 6JG BMG BPG DJG 57G 58G 59G 4XG)	89P8316	*
Iceland (models CTO-G 21G 29G 31G 3AG 3CG 3FG B4G D1G 64G 6AG 6JG BMG BPG DJG 57G 58G 59G 4XG)	89P8317	*
Italian 141 (models CTO-G 21G 29G 31G 3AG 3CG 3FG B4G D1G 64G 6AG 6JG BMG BPG DJG 57G 58G 59G 4XG)	89P8318	*

8171 Keyboards	FRU#	CRU
Italian 142 (models CTO-G 21G 29G 31G 3AG 3CG 3FG B4G D1G 64G 6AG 6JG BMG BPG DJG 57G 58G 59G 4XG)	89P8319	*
Japanese (models 23J 24J 33J 34J 22J 31J 3FJ 16J 4HJ B1J B2J B3J D2J D3J D4J 6AJ BMJ 58J 4XJ)	89P8320	*
Korean (models 31K 38K 3FK A7K 18K 19K 4GK BBK BCK D5K D6K 63K 6AK BMK 2VK 58K 5BK 3VK 71K 4XK)	89P8321	*
LA Spanish (models 31S 31Y 25S 25Y 26S 26Y 31S 31D 31Y 37S 37Y A1S A1Y A2S A2Y 12S 12Y 14S 14Y 3DS 3DY 3ES 3EY 3FS 3FD 3FY 1BS 1BY 3JS 3JY 3LS 4LS 4LY 4PS 4PY BDS BDY DBS DBY CTO-L 6AS 6AD 6AY 6LS 6LY 6FS 6FY 6JS 6JY BJS BJY BMS BMD BMY DHS DHY AGS AHS 2WS 2WY 58S 58D 58Y 4VS 4VY 4XS 4XD 4XY)	89P8322	*
Norwegian (models CTO-G 21G 29G 31G 3AG 3CG 3FG B4G D1G 64G 6AG 6JG BMG BPG DJG 57G 58G 59G 4XG)	89P8323	*
Polish (models CTO-G 21G 29G 31G 3AG 3CG 41G)	89P8324	*
Portuguese (models CTO-G 21G 29G 31G 3AG 3CG 3FG B4G D1G 64G 6AG 6JG BMG BPG DJG 57G 58G 59G 4XG)	89P8325	*
Romanian (models CTO-G 21G 29G 31G 3AG 3CG 3FG B4G D1G 64G 6AG 6JG BMG BPG DJG 57G 58G 59G 4XG)	89P8326	*
Russian (models CTO-G 21G 29G 31G 3AG 3CG 3FG B4G D1G 64G 6AG 6JG BMG BPG DJG 57G 58G 59G 4XG)	89P8327	*
Russian/Cyrillic (models CTO-G 21G 29G 31G 3AG 3CG 3FG B4G D1G 64G 6AG 6JG BMG BPG DJG 57G 58G 59G 4XG)	89P8328	*
Serbian/Cyrillic (models CTO-G 21G 29G 31G 3AG 3CG 3FG B4G D1G 64G 6AG 6JG BMG BPG DJG 57G 58G 59G 4XG)	89P8329	*
Slovak (models CTO-G 21G 29G 31G 3AG 3CG 3FG B4G D1G 64G 6AG 6JG BMG BPG DJG 57G 58G 59G 4XG)	89P8330	*
Spanish (models CTO-G 21G 29G 31G 3AG 3CG 3FG B4G D1G 64G 6AG 6JG BMG BPG DJG 57G 58G 59G 4XG)	89P8331	*
Swedish/Finn (models CTO-G 21G 29G 31G 3AG 3CG 3FG B4G D1G 64G 6AG 6JG BMG BPG DJG 57G 58G 59G 4XG)	89P8332	*
Swiss F/G (models CTO-G 21G 29G 31G 3AG 3CG 3FG B4G D1G 64G 6AG 6JG BMG BPG DJG 57G 58G 59G 4XG)	89P8333	*
Thailand (models 31T 28T 2AT 35T 3BT 13T 3FT B5T B6T D7T D8T CTO-A 6AT BJT BMT DHT 2WT 58T 4XT)	89P8334	*
Turkish 440 (models CTO-G 21G 29G 31G 3AG 3CG 3FG B4G D1G 64G 6AG 6JG BMG BPG DJG 57G 58G 59G 4XG)	89P8335	*
Turkish 179 (models CTO-G 21G 29G 31G 3AG 3CG 3FG B4G D1G 64G 6AG 6JG BMG BPG DJG 57G 58G 59G 4XG)	89P8336	*
UK English (models CTO-G 21G 29G 31G 3AG 3CG 3FG B4G D1G 64G 6AG 6JG BMG BPG DJG 57G 58G 59G 4XG)	89P8337	*
US Euro (models CTO-G 21G 29G 31G 3AG 3CG 3FG B4G D1G 64G 6AG 6JG BMG BPG DJG 57G 58G 59G 4XG)	89P8338	*
Yugoslav/Latin (models CTO-G 21G 29G 31G 3AG 3CG 3FG B4G D1G 64G 6AG 6JG BMG BPG DJG 57G 58G 59G 4XG)	89P8339	*
Brazil/Portugese (models 31P 31P 37P 3FP CTO-L 6AP 6LP 6FP 6JP BJP BMP DHP AHP 2WP 58P 4VP 4XP)	89P8304	*



<b>8171 Keyboards (Productivity USB)</b>	<b>FRU#</b>	<b>CRU</b>
US English (models CTO B8C D9C 1CC 1CH 1FC 1FH 1GC 1GH 1HU 2GH 3MC 3MH 3NC 3NH 3PC 3PH 4QG)	89P8800	*
Arabic (models CTO-G 4QG)	89P8801	*
Arabic/French (models CTO-G 4QG)	89P8802	*
Belgian/French (models CTO-G 4QG)	89P8803	*
Belgian/UK (models CTO-G 4QG)	89P8804	*
Brazil/Portuguese (models CTO-L)	89P8805	*
Bulgarian (models CTO-G 4QG)	89P8806	*
Chinese/US (models 1CB 1FB 1FV 1GB 1GV 2GB 3MB 3MV 3NB 3NV 3PB 3PV)	89P8807	*
Czech (models CTO-G 4QG)	89P8808	*
Danish (models CTO-G 4QG)	89P8809	*
Dutch (models CTO-G 4QG)	89P8810	*
French (models CTO-U)	89P8811	*
French Canadian (models CTO-U 1HF)	89P8812	*
French Canadian (models CTO-U 1HF)	89P8813	*
German (models CTO-G 4QG)	89P8814	*
Greek (models CTO-G 4QG)	89P8815	*
Hebrew (models CTO-G 4QG)	89P8816	*
Hungarian (models CTO-G 4QG)	89P8817	*
Iceland (models CTO-G 4QG)	89P8818	*
Italian 141 (models CTO-G 4QG)	89P8819	*
Korean (models A9K AAK 1DK 1EK 1FK 1GK 2HK 2JK 3QK 4RK)	89P8821	*
LA/Spanish (models CTO-L BFS BFY DDS DDY)	89P8822	*
Norwegian (models CTO-G 4QG)	89P8823	*
Polish (models CTO-G 4QG)	89P8824	*
Portuguese (models CTO-G 4QG)	89P8825	*
Romanian (models CTO-G 4QG)	89P8826	*
Romanian (models CTO-G 4QG)	89P8827	*
Russian/Cyrillic (models CTO-G 4QG)	89P8828	*
Serbian/Cyrillic (models CTO-G 4QG)	89P8829	*
Slovak (models CTO-G 4QG)	89P8830	*
Spanish (models CTO-G 4QG)	89P8831	*
Swedish/Finn (models CTO-G 4QG)	89P8832	*
Swiss F/G (models CTO-G 4QG)	89P8833	*
Thailand (models CTO-A)	89P8834	*
Turkish 440 (models CTO-G 4QG)	89P8835	*
Turkish 179 (models CTO-G 4QG)	89P8836	*

<b>8171 Fingerprint Keyboards</b>	<b>FRU#</b>	<b>CRU</b>
US English (models CTO 2KU 2MU 3RU 3SU 5AU 62U)	89P9000	*
Arabic (models CTO-G)	89P9001	*

8171 Fingerprint Keyboards	FRU#	CRU
Arabic/French (models CTO-G)	89P9002	*
Belgian/French (models CTO-G)	89P9003	*
Belgian/UK (models CTO-G)	89P9004	*
Brazilian (models CTO-L 2NP 3TP 4SP BGP DEP 5AP 62P 6MP DLP)	89P9005	*
Bulgarian (models CTO-G)	89P9006	*
Chinese/US (models CTO-A)	89P9007	*
Czech (models CTO-G)	89P9008	*
Danish (models CTO-G)	89P9009	*
Dutch (models CTO-G)	89P9010	*
French (models CTO-G)	89P9011	*
French Canadian 445 (models CTO-U 2MF 3SF 5AF 62F)	89P9012	*
French Canadian 58 (models CTO-U 2MF 3SF 5AF 62F)	89P9013	*
German (models CTO-G)	89P9014	*
Greek (models CTO-G)	89P9015	*
Hebrew (models CTO-G)	89P9016	*
Hungarian (models CTO-G)	89P9017	*
Iceland (models CTO-G)	89P9018	*
Italian 141 (models CTO-G)	89P9019	*
Japanese (models CTO-A)	89P9020	*
Korean (models CTO-A)	89P9021	*
LA Spanish (models CTO-L 2NS 2NY 3TS 3TY 4SS 4SY BGS BGY DES DEY 5AS 5AY 62S 62Y 6MS 6MY DLS DLY)	89P9022	*
Norwegian (models)	89P9023	*
Polish (models CTO-G)	89P9024	*
Portuguese (models)	89P9025	*
Romanian 096 (models CTO-G)	89P9027	*
Romanian 446 (models CTO-G)	89P9026	*
Russian/Cyrillic (models CTO-G)	89P9028	*
Serbian/Cyrillic (models CTO-G)	89P9029	*
Slovak (models CTO-G)	89P9030	*
Spanish (models CTO-G)	89P9031	*
Swedish/Finn (models CTO-G)	89P9032	*
Swiss F/G (models CTO-G)	89P9033	*
Thailand (models CTO-A)	89P9034	*
Turkish 440 (models CTO-G)	89P9035	*
Turkish 179 (models CTO-G)	89P9036	*
UK English (models CTO-G)	89P9037	*
US Euro (models CTO-G)	89P9038	*
Yugoslav/Latin (models CTO-G)	89P9039	*

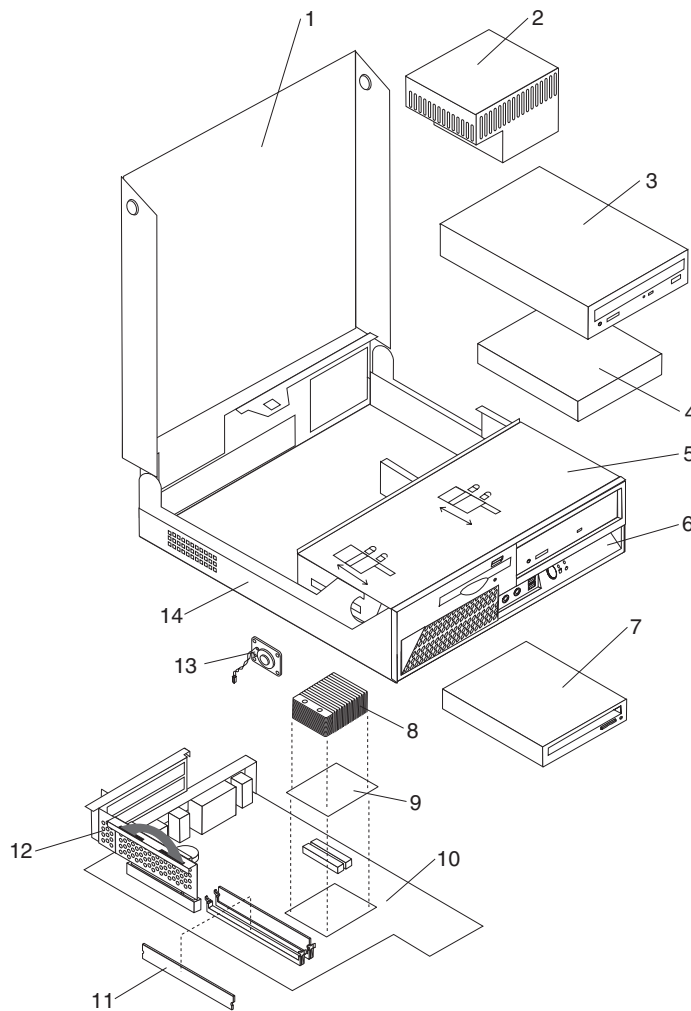
8171 Power Cords	FRU#	CRU
Power cord (models ABU ACU AGS ADU AEU AHS AHP AFU 1JU 1KU 2RU 2RF 2SU 2TU 2TF 2UU 2WS 2WP 2WA 2WT 2XU 57U 57G 58U 58F 58S 58P 58D 58G 58A 58T 58V 59G 5AU 5AF 5AS 5AP 5CU 5DU 5EU 3VV 3WU 3WF 3XU 3YU 3YF 4TU 4UV 4VS 4VP 4WU 4XU 4XF 4XS 4XP 4XD 4XG 4XA 4XT 4XV 4YU 62U 62F 62S 62P 64G 65U 66U 67U 6AU 6AF 6AS 6AP 6AD 6AG 6AA 6AT 6AV 6LS 6LP 6BU 6BF 6CU 6CF 6DU 6EU 6FS 6FP 6GU 6HU 6JS 6JP 6JG 6MS 6MP 6JS 6JP 6JA 6JT 6MU 6MF 6MS 6MP 6MD 6MG 6MA 6MT 6MV 6NU 6PG 6GU 6HU 6HS 6HP 6HA 6HT 6JG 6LS 6LP 6JU 6KU 6LU 6LV 6MU 6MV 6NU 6OU 6PV 6PU 6QU 6RQ 6RU 6RV 6SU 6SV 6TU 6TV 6UW 6VW 6XU 6XV 6YU 6YV 6ZU 6ZV 6AA 6AB 6AC 6AD 6AE 6AF 6AG 6AH 6AI 6AJ 6AK 6AL 6AM 6AN 6AO 6AP 6AQ 6AR 6AS 6AT 6AU 6AV 6AW 6AX 6AY 6AZ 6BA 6BB 6BC 6BD 6BE 6BF 6BG 6BH 6BI 6BJ 6BK 6BL 6BM 6BN 6BO 6BP 6BQ 6BR 6BS 6BT 6BU 6BV 6BW 6BX 6BY 6BZ 6CA 6CB 6CC 6CD 6CE 6CF 6CG 6CH 6CI 6CJ 6CK 6CL 6CM 6CN 6CO 6CP 6CQ 6CR 6CS 6CT 6CU 6CV 6CW 6CX 6CY 6CZ 6DA 6DB 6DC 6DD 6DE 6DF 6DG 6DH 6DI 6DJ 6DK 6DL 6DM 6DN 6DO 6DP 6DQ 6DR 6DS 6DT 6DU 6DV 6DW 6DX 6DY 6DZ 6EA 6EB 6EC 6ED 6EE 6EF 6EG 6EH 6EI 6EJ 6EK 6EL 6EM 6EN 6EO 6EP 6EQ 6ER 6ES 6ET 6EU 6EV 6EW 6EX 6EY 6EZ 6FA 6FB 6FC 6FD 6FE 6FF 6FG 6FH 6FI 6FJ 6FK 6FL 6FM 6FN 6FO 6FP 6FQ 6FR 6FS 6FT 6FU 6FV 6FW 6FX 6FY 6FZ 6GA 6GB 6GC 6GD 6GE 6GF 6GG 6GH 6GI 6GJ 6GK 6GL 6GM 6GN 6GO 6GP 6GQ 6GR 6GS 6GT 6GU 6GV 6GW 6GX 6GY 6GZ 6HA 6HB 6HC 6HD 6HE 6HF 6HG 6HI 6HJ 6HK 6HL 6HM 6HN 6HO 6HP 6HQ 6HR 6HS 6HT 6HU 6HV 6HW 6HX 6HY 6HZ 6IA 6IB 6IC 6ID 6IE 6IF 6IG 6IH 6IJ 6IK 6IL 6IM 6IN 6IO 6IP 6IQ 6IR 6IS 6IT 6IU 6IV 6IW 6IX 6IY 6IZ 6JA 6JB 6JC 6JD 6JE 6JF 6JG 6JH 6JI 6JJ 6JK 6JL 6JM 6JN 6JO 6JP 6JQ 6JR 6JS 6JT 6JU 6JV 6JW 6JX 6JY 6JZ 6KA 6KB 6KC 6KD 6KE 6KF 6KG 6KH 6KI 6KJ 6KK 6KL 6KM 6KN 6KO 6KP 6KQ 6KR 6KS 6KT 6KU 6KV 6KW 6KX 6KY 6KZ 6LA 6LB 6LC 6LD 6LE 6LF 6LG 6LH 6LI 6LJ 6LK 6LL 6LM 6LN 6LO 6LP 6LQ 6LR 6LS 6LT 6LU 6LV 6LW 6LX 6LY 6LZ 6MA 6MB 6MC 6MD 6ME 6MF 6MG 6MH 6MI 6MJ 6MK 6ML 6MN 6MO 6MP 6MQ 6MR 6MS 6MT 6MU 6MV 6MW 6MX 6MY 6MZ 6NA 6NB 6NC 6ND 6NE 6NF 6NG 6NH 6NI 6NJ 6NK 6NL 6NM 6NO 6NP 6NQ 6NR 6NS 6NT 6NU 6NV 6NW 6NX 6NY 6NZ 6OA 6OB 6OC 6OD 6OE 6OF 6OG 6OH 6OI 6OJ 6OK 6OL 6OM 6ON 6OO 6OP 6OQ 6OR 6OS 6OT 6OU 6OV 6OW 6OX 6OY 6OZ 6PA 6PB 6PC 6PD 6PE 6PF 6PG 6PH 6PI 6PJ 6PK 6PL 6PM 6PN 6PO 6PP 6PQ 6PR 6PS 6PT 6PU 6PV 6PW 6PX 6PY 6PZ 6QA 6QB 6QC 6QD 6QE 6QF 6QG 6QH 6QI 6QJ 6QK 6QL 6QM 6QN 6QO 6QP 6QQ 6QR 6QS 6QT 6QU 6QV 6QW 6QX 6QY 6QZ 6RA 6RB 6RC 6RD 6RE 6RF 6RG 6RH 6RI 6RJ 6RK 6RL 6RM 6RN 6RO 6RP 6RQ 6RR 6RS 6RT 6RU 6RV 6RW 6RX 6RY 6RZ 6SA 6SB 6SC 6SD 6SE 6SF 6SG 6SH 6SI 6SJ 6SK 6SL 6SM 6SN 6SO 6SP 6SQ 6SR 6SS 6ST 6SU 6SV 6SW 6SX 6SY 6SZ 6TA 6TB 6TC 6TD 6TE 6TF 6TG 6TH 6TI 6TJ 6TK 6TL 6TM 6TN 6TO 6TP 6TQ 6TR 6TS 6TT 6TU 6TV 6TW 6TX 6TY 6TZ 6UA 6UB 6UC 6UD 6UE 6UF 6UG 6UH 6UI 6UJ 6UK 6UL 6UM 6UN 6UO 6UP 6UQ 6UR 6US 6UT 6UU 6UV 6UW 6UX 6UY 6UZ 6VA 6VB 6VC 6VD 6VE 6VF 6VG 6VH 6VI 6VJ 6VK 6VL 6VM 6VN 6VO 6VP 6VQ 6VR 6VS 6VT 6VU 6VV 6VW 6VX 6VY 6VZ 6WA 6WB 6WC 6WD 6WE 6WF 6WG 6WH 6WI 6WJ 6WK 6WL 6WM 6WN 6WO 6WP 6WQ 6WR 6WS 6WT 6WU 6WV 6WW 6WX 6WY 6WZ 6XA 6XB 6XC 6XD 6XE 6XF 6XG 6XH 6XI 6XJ 6XK 6XL 6XM 6XN 6XO 6XP 6XQ 6XR 6XS 6XT 6XU 6XV 6XW 6XX 6XY 6XZ 6YA 6YB 6YC 6YD 6YE 6YF 6YG 6YH 6YI 6YJ 6YK 6YL 6YM 6YN 6YO 6YP 6YQ 6YR 6YS 6YT 6YU 6YV 6YW 6YX 6YY 6YZ 6ZA 6ZB 6ZC 6ZD 6ZE 6ZF 6ZG 6ZH 6ZI 6ZJ 6ZK 6ZL 6ZM 6ZN 6ZO 6ZP 6ZQ 6ZR 6ZS 6ZT 6ZU 6ZV 6ZW 6ZX 6ZY 6ZZ)	6952301	*
Power cord (ANZ) (models 31M 3FM 58M 4XM 6AM BMM)	13F9939	*
Power cord (EMEA, ANZ, ASEAN Eng, Korea) (models 31K CTO-G 21G 29G 31G 38K 3AG 3CG 3FG 3FK A7K 18K 19K 4GK B4G BBK BCK D1G D5K D6K A9K AAK 1DK 1EK 1FK 1GK 2HK 2JK 3QK 4QG 4RK 2VK 57G 58G 58K 59G 5BK 3VK 71K 4XG 4XK 63K 64G 6AG 6AK 6JG BMG BMK BPG DJG)	13F9978	*
Power cord (EMEA, ANZ, ASEAN Eng, HK Eng) (models 31H CTO-G 21G 27H 29G 31G 38H 3AG 3CG 13H 3FG 3FH 17H B4G BAH D1G DAH 1CH 1FH 1GH 2GH 3MH 3NH 3PH 4QG 2QH 57G 58G 58H 59G 3UH 3VH 71H 4XG 4XH 61H 64G 68H 6AG 6AH 6JG BHH BMG BMH BPG DFH DJG)	14F0032	*
Power cord (EMEA) (models CTO-G 21G 29G 31G 3AG 3CG 3FG B4G D1G 4QG 57G 58G 59G 4XG 64G 6AG 6JG BMG BPG DJG)	13F9996	*
Power cord (EMEA, LA) (models 31S 31P 31Y CTO-G 21G 25S 25L 25Y 26S 26Y 29G 31S 31P 31L 31D 31Y 31G 37S 37P 37Y 3AG 3CG A1S A1L A1Y A2S A2L A2Y 12S 12L 12Y 14S 14L 14Y 3DS 3DL 3DY 3ES 3EL 3EY 3FS 3FP 3FL 3FD 3FY 3FG 1BS 1BY 3JS 3JY 3LS 4LS 4LY 4PS 4PY B4G BDS BDY D1G DBS DBY 2NS 2NP 2NY 3TS 3TP 3TY 4QG 4SS 4SP 4SY BFS BFP BFY BGS BGP BGY DDS DDP DDY DES DEP DEY AGS AHS AHP 2WP 2WY 57G 58S 58P 58D 58Y 58G 59G 5AS 5AP 5AY 4VS 4VP 4VY 4XS 4XP 4XD 4XY 4XG 62S 62P 62Y 64G 6AS 6AP 6AD 6AY 6AG 6LS 6LP 6LY 6FS 6FP 6FY 6JS 6JP 6JY 6JG 6MS)	14F0068	*
Power cord (APU) (models 31Y 25Y 26Y 31Y 37Y A1Y A2Y 12Y 14Y 3DY 3EY 3FY 1BY 3JY 4LY 4PY BDY DBY 2NY 3TY 4SY BFY BGY DDY DEY 2WY 58Y 5AY 4VY 4XY 62Y 6AY 6LY 6FY 6JY 6MY BJY BMY DHY DLY)	36L8879	*
Power cord (Japan) (models 23J 24J 33J 34J 22E 22J 31J 31E 3FE 3FJ 16J 4HJ B1J B2J B3J D2J D3J D4J)	1838576	*
Power cord (Japan) (models 58J 4XJ 6AJ BMJ)	05K2876	*
Power cord (China, HK) (models 31C 31B 31H 27B 27H 38C 38B 38H 13C 13B 13H 3FC 3FB 3FH 17B 17H 1AC B7C B8C BAB BAH D9C DAB DAH 1CC 1CB 1CH 1FC 1FB 1FH 1GC 1GB 1GH 2GB 2GH 3MC 3MB 3MH 3NC 3NB 3NH 3PC 3PB 3PH 2QB 2QH 58C 58B 58H 3UB 3UH 3VC 3VB 3VH 71B 71H 4UC 4VC 4XC 4XB 4XH 61C 61B 61H 68C 68B 68H 69C 6AC 6AB 6AH BHB BHH BKC BLC BMC BMB BMH DFB DFH DKC)	02K0545	*
Power cord (EMEA) (models CTO-G 21G 29G 31G 3AG 3CG 3FG B4G D1G 4QG 57G 58G 59G 4XG 64G 6AG 6JG BMG BPG DJG)	14F0086	*
Power cord (EMEA, ANZ, ASEAN Eng) (models CTO-G 21G 29G 31G 3AG 3CG 3FG B4G D1G 4QG 57G 58G 59G 4XG 64G 6AG 6JG BMG BPG DJG)	14F0014	*
Power cord (EMEA) (models CTO-G 21G 29G 31G 3AG 3CG 3FG B4G D1G 4QG 57G 58G 59G 4XG 64G 6AG 6JG BMG BPG DJG)	14F0050	*
Power cord (India) (models 2BQ 31Q 31E 39Q 13Q 3FQ 3FE 3FJ 16J 4HJ B1J B2J B3J B5Q B6Q D2J D3J D4J D7Q D8Q 2WQ 58Q 58J 4XQ 4XJ 6AQ 6AJ 6FQ BJQ BMQ BMJ DHQ)	49P2078	*

8171 Windows XP Home Recovery CDs	FRU #	CRU
KR (models A7K 18K 19K BBK BCK D5K A9K AAK 1DK 1EK 2HK 2JK 3QK 2VK 5BK 63K)	30R4698	*
KR (models A7K 18K 19K BBK BCK D5K)	27K6742	*
CS (models B8C D9C BLC DKC)	30R4705	*
CS (models B8C D9C)	27K6750	*

8171 Windows XP Pro Recovery CDs	FRU #	CRU
US (models 31M 31A 31T 31H 22E 11U 21U 21G 25L 27H 28A 28T 29G 2AA 2AT 2BQ 31U 31L 31G 31Q 31E 35U 35A 35T 36U 38H 39Q 3AG 3BA 3BT 3CG A1L A2L A3U A4U A5U A6U 12L 13A 13Q 13T 13H 14L 15U 2CU 2DU 3DL 3EL 3FU 3FL 3FG 3FM 3FA 3FQ 3FT 3FH 3FE 3GU 3HU A8U 17H 2EU 2FU 3KU 3LU 4JU 4KU 4LU 4MU 4NU B5A B5Q B5T B6A B6Q B6T BAH BDU D7A D7Q D7T D8A D8Q D8T DAH DBU 1CH 1FH 1GH 1HU 2GH 2KU 2MU 3MH 3NH 3PH 3RU 3SU 2PU ABU ACU ADU AEU AFU 1JU 1KU 2QH 2RU 2SU 2TU 2UU 2WA 2WQ 2WT 2XU 57U 58U 58M 58A 58Q 58T 58H 5AU 5CU 5DU 5EU 3UH 3VH 3WU 3XU 3YU 71H 4TU 4WU 4XU 4XM 4XA 4XQ 4XT 4XH 4YU 61H 62U 65U 66U 67U 68H 6AU 6AM 6AA 6AQ 6AT 6AH 6BU 6CU 6DU 6EU 6FQ 6GU 6HU BHH BJA BJQ BJT BMU BMM BMA BMQ BMT BMH BNU DFH DGU DHU DHA DHQ DHT 6KU)	39J6597	*
FR (models 21G 29G 31F 31G 3AG 3CG 21F 15F 3FF 3FG 2EF 3KF 3LF 4KF 4LF B4G BDF D1G DBF 1HF 2MF 3SF 4QG 2RF 2TF 57G 58F 58G 59G 5AF 3WF 3YF 4XF 4XG 62F 64G 6AF 6AG 6BF 6CF 6JG BMF BMG BPG DJG)	39J6598	*
GR (models 21G 29G 31G 3AG 3CG 3FG B4G D1G 4QG 57G 58G 59G 4XG 64G 6AG 6JG BMG BPG DJG)	39J6599	*
IT (models 21G 29G 31G 3AG 3CG 3FG B4G D1G 4QG 57G 58G 59G 4XG 64G 6AG 6JG BMG BPG DJG)	39J6601	*
SP (models 21G 29G 31G 3AG 3CG 3FG 1BS 1BY 3JS 3JY 3LS 4LS 4LY 4PS 4PY B4G BDS BDY D1G DBS DBY 2NS 2NY 3TS 3TY 4QG 4SS 4SY BFS BFY BGS BGY DDS DDY DES DEY 31S 31Y 25S 25Y 26S 26Y 29G 31S 31D 31Y 37S 37Y A1S A1Y A2S A2Y 12S 12Y 14S 14Y 3DS 3DY 3ES 3EY 3FS 3FD 3FY AGS AHS 2WS 2WY 57G 58S 58D 58Y 58G 59G 5AS 5AY 4VS 4VY 4XS 4XD 4XY 4XG 62S 62Y 64G 6AS 6AD 6AY 6AG 6LS 6LY 6FS 6FY 6JS 6JY 6JG 6MS 6MY BJS BJY BMS BMD BMY BMG BPG DHS DHY DJG DLS DLY)	39J6600	*
BR (models 2NP 3TP 4SP BFP BGP DDP DEP 31P 31P 37P 3FP AHP 2WP 58P 5AP 4VP 4XP 62P 6AP 6LP 6FP 6JP 6MP BJP BMP DHP DLP)	39J6602	*
DK (models 21G 29G 31G 3AG 3CG 3FG B4G D1G 4QG 57G 58G 59G 4XG 64G 6AG 6JG BMG BPG DJG)	39J6604	*
NL (models 21G 29G 31G 3AG 3CG 3FG B4G D1G 4QG 57G 58G 59G 4XG 64G 6AG 6JG BMG BPG DJG)	39J6607	*
AE (models 21G 29G 31G 3AG 3CG 3FG B4G D1G 4QG 57G 58G 59G 4XG 64G 6AG 6JG BMG BPG DJG)	39J6611	*
SV (models 21G 29G 31G 3AG 3CG 3FG B4G D1G 4QG 57G 58G 59G 4XG 64G 6AG 6JG BMG BPG DJG)	39J6603	*
HE (models 21G 29G 31G 3AG 3CG 3FG B4G D1G 4QG 57G 58G 59G 4XG 64G 6AG 6JG BMG BPG DJG)	39J6608	*
FI (models 21G 29G 31G 3AG 3CG 3FG B4G D1G 4QG 57G 58G 59G 4XG 64G 6AG 6JG BMG BPG DJG)	39J6605	*
NO (models 21G 29G 31G 3AG 3CG 3FG B4G D1G 4QG 57G 58G 59G 4XG 64G 6AG 6JG BMG BPG DJG)	39J6606	*
PL (models 21G 29G 31G 3AG 3CG 3FG B4G D1G 4QG 57G 58G 59G 4XG 64G 6AG 6JG BMG BPG DJG)	39J6609	*

8171 Windows XP Pro Recovery CDs	FRU #	CRU
PO (models 21G 29G 31G 3AG 3CG 3FG B4G D1G 4QG 57G 58G 59G 4XG 64G 6AG 6JG BMG BPG DJG)	39J6615	*
RU (models 21G 29G 31G 3AG 3CG 3FG B4G D1G 4QG 57G 58G 59G 4XG 64G 6AG 6JG BMG BPG DJG)	41D1198	*
RU English (models 21G 29G 31G 3AG 3CG 3FG B4G D1G 4QG)	41D1223	*
HU (models 21G 29G 31G 3AG 3CG 3FG B4G D1G 4QG 57G 58G 59G 4XG 64G 6AG 6JG BMG BPG DJG)	39J6614	*
CZ (models 21G 29G 31G 3AG 3CG 3FG B4G D1G 4QG 57G 58G 59G 4XG 64G 6AG 6JG BMG BPG DJG)	39J6610	*
TR (models 21G 29G 31G 3AG 3CG 3FG B4G D1G 4QG 57G 58G 59G 4XG 64G 6AG 6JG BMG BPG DJG)	39J6602	*
GK (models 21G 29G 31G 3AG 3CG 3FG B4G D1G 4QG 57G 58G 59G 4XG 64G 6AG 6JG BMG BPG DJG)	39J6616	*
SL (models 21G 29G 31G 3AG 3CG 3FG B4G D1G 4QG 57G 58G 59G 4XG 64G 6AG 6JG BMG BPG DJG)	39J6617	*
JP (models 23J 24J 33J 34J 22J 31J 3FJ 16J 4HJ B1J B2J B3J D2J D3J D4J 58J 4XJ 6AJ BMJ)	30R4762	*
CS (models 31C 38C 13C 3FC 1AC B7C 1CC 1FC 1GC 3MC 3NC 3PC 58C 3VC 4UC 4VC 4XC 61C 68C 69C 6AC BKC BMC)	30R4741	*
TW (models 31V 38V 13V 3FV B9V DAV 1FV 1GV 3MV 3NV 3PV 58V 3VV 4UV 4XV 6AV BMV)	30R4748	*
HK (models 31B 27B 38B 13B 3FB 17B BAB DAB 1CB 1FB 1GB 2GB 3MB 3NB 3PB 2QB 58B 3UB 3VB 71B 4XB 61B 68B 6AB BHB BMB DFB)	30R4755	*
KR (models 31K 38K 3FK 4GK D6K 1FK 1GK 4RK 58K 3VK 71K 4XK 6AK BMK)	30R4734	*
Multilingual 1 (models 21G 29G 31G 3AG 3CG 3FG B4G D1G B4G D1G 4QG 57G 58G 59G 4XG 64G 6AG 6JG BMG BPG DJG)	39J6215	*
Multilingual 2 (models 21G 29G 31G 3AG 3CG 3FG B4G D1G B4G D1G 4QG 57G 58G 59G 4XG 64G 6AG 6JG BMG BPG DJG)	39J6216	*

# Machine Type 8172



Item #	8172 FRUs	FRU#	CRU
1	Cover (all models)	26K1217	**
2	Power Supply (225 Watt) (models CTO 31U 31F 31G 31M 31A 31T 31K 31J 32M 33M 31E 3FU 3FF 3FG 3FM 3FA 3FT 3FK 3FE 3FJ A1M 21M B1M B2M 34U 34F 34G 34M 34A 34T 34K 34R 34E 34J A3M A4M 35U 35F 36A 36T 58U 58F 58U 58G 58M 58A 58T 58K 58J 37K 38K 4XU 4XF 4XU 4XG 4XM 4XA 4XT 4XK 4XJ 39A 39T 6AU 6AF 6AU 6AG 6AM 6AA 6AT 6AK 6AJ 3AA 3AT D1M D2M D3M D4M D5M D6M D7M D8A D8T BMU BMF BMU BMG BMM BMA BMT BMK BMJ E1A E1T)	24R2567	**
2	Power Supply (225 Watt) (China) (models 31S 31P 31L 31D 31Y 31Q 31C 31B 31H 31V 3FS 3FP 3FL 3FD 3FY 3FQ 3FC 3FB 3FH 3FV 34S 34P 34D 34Y 34Q 34C 34B 34H 34V CTO-A CTO-L 35B 35H 36Q 58S 58P 58D 58Y 58Q 58C 58B 58H 58V 37B 37H 38B 38H 4XS 4XP 4XD 4XY 4XQ 4XC 4XB 4XH 4XV 39Q 6AS 6AP 6AD 6AY 6AQ 6AC 6AB 6AH 6AV 3AQ D8Q BMS BMP BMD BMY BMQ BMC BMB BMH BMV E1Q)	24R2570	**
3	CD-ROM Drive 48X - Black w/o jack & vol (models CTO 31U 31F 31S 31P 31L 31D 31Y 31G 31M 31A 31Q 31T 31C 31B 31H 31V 31K 31J 32M 33M 31E A1M)	71P7371	*
3	CD-ROM Drive 48X - Black w/o jack & vol (models CTO 31U 31F 31S 31P 31L 31D 31Y 31G 31M 31A 31Q 31T 31C 31B 31H 31V 31K 31J 32M 33M 31E A1M)	71P7375	*

Item #	8172 FRUs	FRU#	CRU
3	CD-ROM Drive 48X - Black w/o jack & vol (models CTO 31U 31F 31S 31P 31L 31D 31Y 31G 31M 31A 31Q 31T 31C 31B 31H 31V 31K 31J 32M 33M 31E A1M)	71P7385	*
3	CD-ROM Drive 48X - Black w/o jack & vol (models CTO 31U 31F 31S 31P 31L 31D 31Y 31G 31M 31A 31Q 31T 31C 31B 31H 31V 31K 31J 32M 33M 31E A1M)	71P7377	*
3	CD-ROM Drive 48X - Black w/o jack & vol (models CTO 31U 31F 31S 31P 31L 31D 31Y 31G 31M 31A 31Q 31T 31C 31B 31H 31V 31K 31J 32M 33M 31E A1M)	39M3511	*
3	CD-ROM Drive 48X - Black w/o jack & vol (models CTO 31U 31F 31S 31P 31L 31D 31Y 31G 31M 31A 31Q 31T 31C 31B 31H 31V 31K 31J 32M 33M 31E A1M)	26K5445	*
3	CD-ROM Drive 48X - Black w/o jack & vol (models CTO 31U 31F 31S 31P 31L 31D 31Y 31G 31M 31A 31Q 31T 31C 31B 31H 31V 31K 31J 32M 33M 31E A1M A3M 36A 36Q 36T 37B 37H 37K 4XU 4XF 4XS 4XP 4XU 4XD 4XY 4XG 4XM 4XA 4XQ 4XT 4XC 4XB 4XH 4XV 4XK 4XJ D1M D8A D8Q D8T BMU BMF BMS BMP BMU BMD BMY BMG BMM BMA BMQ BMT BMC BMB BMH BMV BMK BMJ)	40Y8807	*
3	DVD-ROM 16X/48X - Black (models CTO 3FU 3FF 3FS 3FP 3FL 3FD 3FY 3FG 3FM 3FA 3FQ 3FT 3FC 3FB 3FH 3FV 3FK 3FE 3FJ 34U 34F 34S 34P 34D 34Y 34G 34M 34A 34Q 34T 34C 34B 34H 34V 34K 34R 34E 34J)	33P3237	*
3	DVD-ROM 16X/48X - Black (models CTO 3FU 3FF 3FS 3FP 3FL 3FD 3FY 3FG 3FM 3FA 3FQ 3FT 3FC 3FB 3FH 3FV 3FK 3FE 3FJ 34U 34F 34S 34P 34D 34Y 34G 34M 34A 34Q 34T 34C 34B 34H 34V 34K 34R 34E 34J)	71P7357	*
3	DVD-ROM 16X/48X - Black (models CTO 3FU 3FF 3FS 3FP 3FL 3FD 3FY 3FG 3FM 3FA 3FQ 3FT 3FC 3FB 3FH 3FV 3FK 3FE 3FJ 34U 34F 34S 34P 34D 34Y 34G 34M 34A 34Q 34T 34C 34B 34H 34V 34K 34R 34E 34J)	26K5385	*
3	DVD-ROM 16X/48X - Black (models CTO 3FU 3FF 3FS 3FP 3FL 3FD 3FY 3FG 3FM 3FA 3FQ 3FT 3FC 3FB 3FH 3FV 3FK 3FE 3FJ 34U 34F 34S 34P 34D 34Y 34G 34M 34A 34Q 34T 34C 34B 34H 34V 34K 34R 34E 34J)	26K5435	*
3	DVD-ROM 16X/48X - Black (models CTO)	39M3513	*
3	DVD-ROM 16X/48X - Black (models CTO)	39M3515	*
3	DVD-ROM 16X/48X - Black (models CTO)	39M3517	*
3	DVD-ROM 16X/48X - Black (models CTO 35U 35F 35B 35H 58U 58F 58S 58P 58U 58D 58Y 58G 58M 58A 58Q 58T 58C 58B 58H 58V 58K 58J 38B 38H 38K 6AU 6AF 6AS 6AP 6AU 6AD 6AY 6AG 6AM 6AA 6AQ 6AT 6AC 6AB 6AH 6AV 6AK 6AJ 3AA 3AQ 3AT)	40Y8803	*
3	DVD-ROM 16X/48X - Black (models CTO 35U 35F 35B 35H 58U 58F 58S 58P 58U 58D 58Y 58G 58M 58A 58Q 58T 58C 58B 58H 58V 58K 58J 38B 38H 38K 6AU 6AF 6AS 6AP 6AU 6AD 6AY 6AG 6AM 6AA 6AQ 6AT 6AC 6AB 6AH 6AV 6AK 6AJ 3AA 3AQ 3AT)	40Y8811	*
3	DVD-ROM 16X/48X - Black (models CTO 35U 35F 35B 35H 58U 58F 58S 58P 58U 58D 58Y 58G 58M 58A 58Q 58T 58C 58B 58H 58V 58K 58J 38B 38H 38K 6AU 6AF 6AS 6AP 6AU 6AD 6AY 6AG 6AM 6AA 6AQ 6AT 6AC 6AB 6AH 6AV 6AK 6AJ 3AA 3AQ 3AT)	40Y8935	*
3	CD-RW Drive (48X/32X/48X) (models CTO)	71P7347	*
3	CD-RW Drive (48X/32X/48X) (models CTO)	71P7349	*
3	CD-RW Drive (48X/32X/48X) (models CTO)	26K5401	*
3	CD-RW Drive (48X/32X/48X) (models CTO 39A 39Q 39T)	40Y8901	*
3	CD-RW Drive (48X/32X/48X) (models CTO 39A 39Q 39T)	40Y8937	*
3	Universal Combo Drive (48x/24x/48x/16x) -- optional to 26K5379 and 26K5381 (models CTO 21M B1M B2M)	26K5390	*
3	DVD-ROM/CD-RW Combo Drive (48x/24x/48x/16x) (models CTO 21M B1M B2M)	26K5379	*

Item #	8172 FRUs	FRU#	CRU
3	DVD-ROM/CD-RW Combo Drive (48x/24x/48x/16x) (models CTO 21M B1M B2M)	26K5381	*
3	DVD-ROM/CD-RW Combo Drive (48x/24x/48x/16x) (models CTO 21M B1M B2M)	26K5429	*
3	DVD-ROM/CD-RW Combo Drive (48x/32x/48x/16x) (models 21M B1M B2M)	39M3539	*
3	DVD-ROM/CD-RW Combo Drive (48x/32x/48x/16x) (models CTO 21M B1M B2M A4M D2M D3M D5M E1A E1Q E1T)	40Y8781	*
3	DVD-ROM/CD-RW Combo Drive (48x/32x/48x/16x) (models CTO 21M B1M B2M A4M D2M D3M D5M E1A E1Q E1T)	40Y8903	*
3	DVD-ROM/CD-RW Combo Drive (48x/32x/48x/16x) (models CTO A4M D2M D3M D5M E1A E1Q E1T)	40Y8919	*
3	Universal Rambo drive (Black) (models CTO)	26K5377	*
3	Multi-Burner Plus (Rambo VI) (models CTO)	26K5441	*
3	Multi-Burner Plus (Rambo IV) (models CTO)	26K5383	*
3	Multi-Burner Plus (Rambo VI) (models CTO)	39M3519	*
3	Multi-Burner Plus (Rambo VI) (models CTO D4M D6M D7M)	40Y8799	*
3	Multi-Burner Plus (Rambo VI) (models CTO D4M D6M D7M)	40Y8909	*
4	HDD 40GB 7200rpm Serial ATA (models CTO 31U 31F 31S 31P 31L 31D 31Y 31G 31M 31A 31Q 31T 31C 31B 31H 31V 31K 31J 32M 33M 31E A1M 34U 34F 34S 34P 34D 34Y 34G 34M 34A 34Q 34T 34C 34B 34H 34V 34K 34R 34E 34J)	71P7312	*
4	HDD 40GB 7200rpm Serial ATA (models CTO 31U 31F 31S 31P 31L 31D 31Y 31G 31M 31A 31Q 31T 31C 31B 31H 31V 31K 31J 32M 33M 31E A1M 34U 34F 34S 34P 34D 34Y 34G 34M 34A 34Q 34T 34C 34B 34H 34V 34K 34R 34E 34J A3M 35U 35F 35B 35H 58U 58F 58S 58P 58U 58D 58Y 58G 58M 58A 58Q 58T 58C 58B 58H 58V 58K 58J 37B 37H 37K 4XU 4XF 4XS 4XP 4XU 4XD 4XY 4XG 4XM 4XA 4XQ 4XT 4XC 4XB 4XH 4XV 4XK 4XJ D1M BMU BMF BMS BMP BMU BMD BMY BMG BMM BMA BMQ BMT BMC BMB BMH BMV BMK BMJ)	40Y8760	*
4	HDD 40GB 7200rpm Serial ATA (models CTO 31U 31F 31S 31P 31L 31D 31Y 31G 31M 31A 31Q 31T 31C 31B 31H 31V 31K 31J 32M 33M 31E A1M 34U 34F 34S 34P 34D 34Y 34G 34M 34A 34Q 34T 34C 34B 34H 34V 34K 34R 34E 34J A3M 35U 35F 35B 35H 58U 58F 58S 58P 58U 58D 58Y 58G 58M 58A 58Q 58T 58C 58B 58H 58V 58K 58J 37B 37H 37K 4XU 4XF 4XS 4XP 4XU 4XD 4XY 4XG 4XM 4XA 4XQ 4XT 4XC 4XB 4XH 4XV 4XK 4XJ D1M BMU BMF BMS BMP BMU BMD BMY BMG BMM BMA BMQ BMT BMC BMB BMH BMV BMK BMJ)	40Y9033	*
4	HDD 80GB 7200rpm Serial ATA (models 3FU 3FF 3FS 3FP 3FL 3FD 3FY 3FG 3FM 3FA 3FQ 3FT 3FC 3FB 3FH 3FV 3FK 3FE 3FJ 21M B1M CTO)	71P7293	*
4	HDD 80GB 7200rpm Serial ATA (models 3FU 3FF 3FS 3FP 3FL 3FD 3FY 3FG 3FM 3FA 3FQ 3FT 3FC 3FB 3FH 3FV 3FK 3FE 3FJ 21M B1M CTO A4M 36A 36Q 36T 38B 38H 38K 39A 39Q 39T 6AU 6AF 6AS 6AP 6AU 6AD 6AY 6AG 6AM 6AA 6AQ 6AT 6AC 6AB 6AH 6AV 6AK 6AJ 3AA 3AQ 3AT D2M D3M D4M D8A D8Q D8T E1A E1Q E1T)	40Y8761	*
4	HDD 80GB 7200rpm Serial ATA (models 3FU 3FF 3FS 3FP 3FL 3FD 3FY 3FG 3FM 3FA 3FQ 3FT 3FC 3FB 3FH 3FV 3FK 3FE 3FJ 21M B1M CTO A4M 36A 36Q 36T 38B 38H 38K 39A 39Q 39T 6AU 6AF 6AS 6AP 6AU 6AD 6AY 6AG 6AM 6AA 6AQ 6AT 6AC 6AB 6AH 6AV 6AK 6AJ 3AA 3AQ 3AT D2M D3M D4M D8A D8Q D8T E1A E1Q E1T)	40Y9034	*
4	HDD 160GB 7200rpm Serial ATA (models B2M CTO)	71P7297	*
4	HDD 160GB 7200rpm Serial ATA (models B2M CTO D5M D6M D7M)	40Y8762	*
4	HDD 160GB 7200rpm Serial ATA (models B2M CTO D5M D6M D7M)	40Y9035	*



Item #	8172 FRUs	FRU#	CRU
5	Rotating bay assembly (all models)	03R0285	*
6	Plastic bezel kit (all models)	26K1214	*
7	Diskette drive, Half Inch (slim) 1.44MB 3 Mode (models CTO 31U 31F 31S 31P 31L 31D 31Y 31G 31M 31A 31Q 31T 31C 31B 31H 31V 31K 31J 32M 33M 31E 3FU 3FF 3FS 3FP 3FL 3FD 3FY 3FG 3FM 3FA 3FQ 3FT 3FC 3FB 3FH 3FV 3FK 3FE 3FJ A1M 21M B1M B2M 34U 34F 34S 34P 34D 34Y 34G 34M 34A 34Q 34T 34C 34B 34H 34V 34K 34R 34E 34J)	36L8645	*
7	Diskette drive, Half Inch (slim) 1.44MB 3 Mode (models CTO 31U 31F 31S 31P 31L 31D 31Y 31G 31M 31A 31Q 31T 31C 31B 31H 31V 31K 31J 32M 33M 31E 3FU 3FF 3FS 3FP 3FL 3FD 3FY 3FG 3FM 3FA 3FQ 3FT 3FC 3FB 3FH 3FV 3FK 3FE 3FJ A1M 21M B1M B2M 34U 34F 34S 34P 34D 34Y 34G 34M 34A 34Q 34T 34C 34B 34H 34V 34K 34R 34E 34J)	39M0107	*
7	Diskette drive, Half Inch (slim) 1.44MB 3 Mode (models CTO 31U 31F 31S 31P 31L 31D 31Y 31G 31M 31A 31Q 31T 31C 31B 31H 31V 31K 31J 32M 33M 31E 3FU 3FF 3FS 3FP 3FL 3FD 3FY 3FG 3FM 3FA 3FQ 3FT 3FC 3FB 3FH 3FV 3FK 3FE 3FJ A1M 21M B1M B2M 34U 34F 34S 34P 34D 34Y 34G 34M 34A 34Q 34T 34C 34B 34H 34V 34K 34R 34E 34J)	39M0105	*
7	Diskette drive, Half Inch (slim) 1.44MB 3 Mode (models CTO 31U 31F 31S 31P 31L 31D 31Y 31G 31M 31A 31Q 31T 31C 31B 31H 31V 31K 31J 32M 33M 31E 3FU 3FF 3FS 3FP 3FL 3FD 3FY 3FG 3FM 3FA 3FQ 3FT 3FC 3FB 3FH 3FV 3FK 3FE 3FJ A1M 21M B1M B2M 34U 34F 34S 34P 34D 34Y 34G 34M 34A 34Q 34T 34C 34B 34H 34V 34K 34R 34E 34J A3M A4M 35U 35F 35B 35H 36A 36Q 36T 58U 58F 58S 58P 58U 58D 58Y 58G 58M 58A 58Q 58T 58C 58B 58H 58V 58K 58J 37B 37H 37K 38B 38H 38K 4XU 4XF 4XS 4XP 4XU 4XD 4XY 4XG 4XM 4XA 4XQ 4XT 4XC 4XB 4XH 4XV 4XK 4XJ 39A 39Q 39T 6AU 6AF 6AS 6AP 6AU 6AD 6AY 6AG 6AM 6AA 6AQ 6AT 6AC 6AB 6AH 6AV 6AK 6AJ 3AA 3AQ 3AT D1M D2M D3M D4M D5M D6M D7M D8A D8Q D8T BMU BMF BMS BMP BMU BMD BMY BMG BMM BMA BMQ BMT BMC BMB BMH BMV BMK BMJ E1A E1Q E1T)	40Y9111	*
7	Diskette drive, Half Inch (slim) 1.44MB 3 Mode (models CTO 31U 31F 31S 31P 31L 31D 31Y 31G 31M 31A 31Q 31T 31C 31B 31H 31V 31K 31J 32M 33M 31E 3FU 3FF 3FS 3FP 3FL 3FD 3FY 3FG 3FM 3FA 3FQ 3FT 3FC 3FB 3FH 3FV 3FK 3FE 3FJ A1M 21M B1M B2M 34U 34F 34S 34P 34D 34Y 34G 34M 34A 34Q 34T 34C 34B 34H 34V 34K 34R 34E 34J A3M A4M 35U 35F 35B 35H 36A 36Q 36T 58U 58F 58S 58P 58U 58D 58Y 58G 58M 58A 58Q 58T 58C 58B 58H 58V 58K 58J 37B 37H 37K 38B 38H 38K 4XU 4XF 4XS 4XP 4XU 4XD 4XY 4XG 4XM 4XA 4XQ 4XT 4XC 4XB 4XH 4XV 4XK 4XJ 39A 39Q 39T 6AU 6AF 6AS 6AP 6AU 6AD 6AY 6AG 6AM 6AA 6AQ 6AT 6AC 6AB 6AH 6AV 6AK 6AJ 3AA 3AQ 3AT D1M D2M D3M D4M D5M D6M D7M D8A D8Q D8T BMU BMF BMS BMP BMU BMD BMY BMG BMM BMA BMQ BMT BMC BMB BMH BMV BMK BMJ E1A E1Q E1T)	40Y9109	*
8	Heat Sink, Side Car, P4 (all models)	26K1207	**
9	2.53 GHZ Celeron Prescott P4 (models CTO)	29R7203	**
9	2.66 GHZ Celeron Prescott P4 (models CTO)	29R7205	**
9	2.8 GHZ Celeron Prescott P4 (models CTO A1M)	29R7207	**
9	2.93 GHZ Celeron Prescott P4 (models CTO)	29R7209	**
9	3.06 GHZ Prescott P4 (models CTO A7K A8U CGU)	29R8205	**
9	2.53GHZ Celeron Prescott P4 326 (models CTO)	41D0515	**
9	2.66 GHZ Celeron Prescott P4 331 (models CTO)	41D0517	**
9	2.8 GHZ Celeron Prescott P4 336 (models CTO A3M A4M)	41D0519	**
9	2.93 GHZ Celeron Prescott P4 (341 models CTO)	41D0521	**
9	3.06 GHZ Celeron Prescott P4 346 (models CTO)	41D0523	**
9	3.2 GHZ Celeron Prescott P4 351 (models CTO)	41D0525	**

Item #	8172 FRUs	FRU#	CRU
9	2.66 GHZ Prescott P4 (models CTO)	29R7211	**
9	2.93 GHZ Prescott P4 (models CTO)	29R7213	**
9	2.66 GHZ Prescott P4 (models CTO)	41D0670	**
9	2.93 GHZ Prescott P4 (models CTO)	41D0671	**
9	3.06 GHZ Prescott P4 (models CTO)	41D0672	**
9	2.8 GHZ Prescott P4 (models CTO)	19R0489	**
9	3.0 GHZ Prescott P4 (models 32M CTO 21M 34U 34F 34S 34P 34D 34Y 34G 34M 34A 34Q 34T 34C 34B 34H 34V 34K 34R 34E 34J)	19R0490	**
9	3.2 GHZ Prescott P4 (models 31U 31F 31S 31P 31L 31D 31Y 31G 31M 31A 31Q 31T 31C 31B 31H 31V 31K 31J 33M 31E CTO 3FU 3FF 3FS 3FP 3FL 3FD 3FY 3FG 3FM 3FA 3FQ 3FT 3FC 3FB 3FH 3FV 3FK 3FE 3FJ B1M B2M)	19R0491	**
9	3.4 GHZ Prescott P4 (models CTO)	19R0492	**
9	3.0GHZ Prescott P4 531 (models CTO)	41D0708	**
9	3.0GHZ Prescott P4 531 (models CTO 35U 35F 35B 35H 36A 36Q 36T 58U 58F 58S 58P 58U 58D 58Y 58G 58M 58A 58Q 58T 58C 58B 58H 58V 58K 58J)	41D0527	**
9	3.2GHZ Prescott P4 541 (models CTO 37B 37H 37K 38B 38H 38K 4XU 4XF 4XS 4XP 4XU 4XD 4XY 4XG 4XM 4XA 4XQ 4XT 4XC 4XB 4XH 4XV 4XK 4XJ 39A 39Q 39T 6AU 6AF 6AS 6AP 6AU 6AD 6AY 6AG 6AM 6AA 6AQ 6AT 6AC 6AB 6AH 6AV 6AK 6AJ)	41D0529	**
9	3.4GHZ Prescott P4 551 (models CTO 3AA 3AQ 3AT)	41D0531	**
9	3.0 GHZ Prescott P4 (models CTO D1M D2M D3M D4M D5M D6M D7M D8A D8Q D8T BMU BMF BMS BMP BMU BMD BMY BMG BMM BMA BMQ BMT BMC BMB BMH BMV BMK BMJ)	39J6583	**
9	3.2 GHZ Prescott P4 (models CTO E1A E1Q E1T)	39J6585	**
9	3.4 GHZ Prescott P4 (models CTO)	39J6587	**
10	System Board (Intel 915G) 10/1000 w/ POV (models CTO 31U 31F 31S 31P 31L 31D 31Y 31G 31M 31A 31Q 31T 31C 31B 31H 31V 31K 31J 31E 32M 33M 3FU 3FF 3FS 3FP 3FL 3FD 3FY 3FG 3FM 3FA 3FQ 3FT 3FC 3FB 3FH 3FV 3FK 3FE 3FJ A1M 21M B1M B2M 34U 34F 34S 34P 34D 34Y 34G 34M 34A 34Q 34T 34C 34B 34H 34V 34K 34R 34E 34J A3M A4M 35U 35F 35B 35H 37B 37H 37K 38B 38H 38K D1M D2M D3M D4M D5M D6M D7M)	41X2837	**
10	System Board (Intel 915GV) 10/1000 w/ POV (models CTO 36A 36Q 36T 58U 58F 58S 58P 58U 58D 58Y 58G 58M 58A 58Q 58T 58C 58B 58H 58V 58K 58J 4XU 4XF 4XS 4XP 4XU 4XD 4XY 4XG 4XM 4XA 4XQ 4XT 4XC 4XB 4XH 4XV 4XK 4XJ 39A 39Q 39T 6AU 6AF 6AS 6AP 6AU 6AD 6AY 6AG 6AM 6AA 6AQ 6AT 6AC 6AB 3AA 3AQ 3AT D8A D8Q D8T BMU BMF BMS BMP BMU BMD BMY BMG BMM BMA BMQ BMT BMC BMB BMH BMV BMK BMJ E1A E1Q E1T)	41X2838	**
11	256MB PC2 3200 Memory DDR1 (models CTO 36A 36Q 36T D8A D8Q D8T)	73P2683	*
11	512MB PC2 3200 Memory DDR1 (models 31U 31F 31S 31P 31L 31D 31Y 31G 31M 31A 31Q 31T 31C 31B 31H 31V 31K 31J CTO 32M 33M 31E 3FU 3FF 3FS 3FP 3FL 3FD 3FY 3FG 3FM 3FA 3FQ 3FT 3FC 3FB 3FH 3FV 3FK 3FE 3FJ A1M 21M A3M A4M 35U 35F 35B 35H 58U 58F 58S 58P 58U 58D 58Y 58G 58M 58A 58Q 58T 58C 58B 58H 58V 58K 58J 37B 37H 37K 38B 38H 38K 4XU 4XF 4XS 4XP 4XU 4XD 4XY 4XG 4XM 4XA 4XQ 4XT 4XC 4XB 4XH 4XV 4XK 4XJ 39A 39Q 39T 6AU 6AF 6AS 6AP 6AU 6AD 6AY 6AG 6AM 6AA 6AQ 6AT 6AC 6AB 6AH 6AV 6AK 6AJ 3AA 3AQ 3AT D1M D2M D3M D4M D5M D6M D7M BMU BMF BMS BMP BMU BMD BMY BMG BMM BMA BMQ BMT BMC BMB BMH BMV BMK BMJ E1A E1Q E1T B1M B2M 34U 34F 34S 34P 34D 34Y 34G 34M 34A 34Q 34T 34C 34B 34H 34V 34K 34R 34E 34J)	73P2684	*
12	Riser card assembly (all models)	26K1209	*

Item #	8172 FRUs	FRU#	CRU
13	Speaker assembly (all models)	03R0294	*
14	Chassis (all models)	26K1218	**

The FRUs listed in the following table are not illustrated.

8172 FRUs	FRU#	CRU
Tool-less hardfile tray (all models)	03R0302	*
Cable, PWR/LED (all models)	03R0283	*
Lock assembly (Random keyed) (models 32M 33M 3FU 3FF 3FS 3FP 3FL 3FD 3FY 3FG 3FM 3FA 3FQ 3FT 3FC 3FB 3FH 3FV 3FK 3FE 3FJ A1M 21M B1M B2M CTO A3M A4M 36A 36Q 36T 38B 38H 38K 39A 39Q 39T 6AU 6AF 6AS 6AP 6AU 6AD 6AY 6AG 6AM 6AA 6AQ 6AT 6AC 6AB 6AH 6AV 6AK 6AJ 3AA 3AQ 3AT D1M D2M D3M D4M D5M D6M D7M D8A D8Q D8T BMU BMF BMS BMP BMU BMD BMY BMG BMM BMA BMQ BMT BMC BMB BMH BMV BMK BMJ E1A E1Q E1T)	03R0287	*
Internal plastic kit (all models)	03R0289	*
Cable, optical 1-drop ATA 100 (all models)	03R0291	*
Cable, 2-drop ATA 100 (all models)	03R0292	*
Cable, SATA (all models)	03R0293	*
Cable, Diskette drive (all models)	03R0297	*
C2 Cable (Squall) (models 32M 33M 3FU 3FF 3FS 3FP 3FL 3FD 3FY 3FG 3FM 3FA 3FQ 3FT 3FC 3FB 3FH 3FV 3FK 3FE 3FJ A1M 21M B1M B2M A3M A4M 36A 36Q 36T 38B 38H 38K 39A 39Q 39T 6AU 6AF 6AS 6AP 6AU 6AD 6AY 6AG 6AM 6AA 6AQ 6AT 6AC 6AB 6AH 6AV 6AK 6AJ 3AA 3AQ 3AT D1M D2M D3M D4M D5M D6M D7M D8A D8Q D8T BMU BMF BMS BMP BMU BMD BMY BMG BMM BMA BMQ BMT BMC BMB BMH BMV BMK BMJ E1A E1Q E1T)	09K9827	*
Shield, 5.25 EMC) (all models)	19K5548	*
Floor stand and vertical deflector (all models)	74P0404	*
Cable, Zip drive, 2-drop (all models)	88P7258	*
Korean Label (models 31K 3FK 34K)	13R9162	*
Fan assembly (all models)	26K1210	*
Riser Card Assembly (all models)	26K1209	*
Planar tray (all models)	26K1213	**
Heat Sink Retention Module Asm (all models)	26K1206	**
Kensington Lock Spacer (all models)	41A7702	**
Planar I/O Shield Kit (all models)	41A7703	**
Battery (all models)	33F8354	*
Universal Adapter Bracket 5.25 to 3.5-inch	32P4743	*
Mouse, optical wheel (models CTO-G CTO-U 31U 31F 31S 31P 31L 31D 31Y 31G 31M 31A 31Q 31T 31C 31B 31H 31V 31K 31J 32M 33M 31E 3FU 3FF 3FS 3FP 3FL 3FD 3FY 3FG 3FM 3FA 3FQ 3FT 3FC 3FB 3FH 3FV 3FK 3FE 3FJ A1M 21M B1M B2M 34U 34F 34S 34P 34D 34Y 34G 34M 34A 34Q 34T 34C 34B 34H 34V 34K 34R 34E 34J A3M A4M 35U 35F 35B 35H 36A 36Q 36T 58U 58F 58S 58P 58U 58D 58Y 58G 58M 58A 58Q 58T 58C 58B 58H 58V 58K 58J 37B 37H 37K 38B 38H 38K 4XU 4XF 4XS 4XP 4XU 4XD 4XY 4XG 4XM 4XA 4XQ 4XT 4XC 4XB 4XH 4XV 4XK 4XJ 39A 39Q 39T 6AU 6AF 6AS 6AP 6AU 6AD 6AY 6AG 6AM 6AA 6AQ 6AT 6AC 6AB 6AH 6AV 6AK 6AJ 3AA 3AQ 3AT D1M D2M D3M D4M D5M D6M D7M D8A D8Q D8T BMU BMF BMS BMP BMU BMD BMY BMG BMM BMA BMQ BMT BMC BMB BMH BMV BMK BMJ E1A E1Q E1T)	89P5089	*

8172 FRUs	FRU#	CRU
PCI-E DVI-D Connection Adapter (models CTO B2M D5M D6M D7M)	19R2374	*
1394 Firewire PCI LP (ATX) (models CTO D6M D7M)	73P2608	*
RJ11 connector adapter (Spain, Ireland) (All 'G' models)	60H6043	*
RJ11 connector adapter (Austria) (All 'G' models)	60H6045	*
RJ11 connector adapter (Belgium) (All 'G' models)	60H6046	*
RJ11 connector adapter (Denmark) (All 'G' models)	60H6047	*
RJ11 connector adapter (Norway, Finland) (All 'G' models)	60H6048	*
RJ11 connector adapter (France) (All 'G' models)	60H6049	*
RJ11 connector adapter (Germany) (All 'G' models)	60H6050	*
RJ11 connector adapter (UK, NZ, HK) (All 'G', 'M', 'B', 'H' models)	60H6051	*
RJ11 connector adapter (Italy) (All 'G' models)	60H6052	*
RJ11 connector adapter (Netherlands) (All 'G' models)	60H6053	*
RJ11 connector adapter (Sweden) (All 'G' models)	60H6054	*
RJ11 connector adapter (Switzerland) (All 'G' models)	60H6055	*

8172 Keyboard (Preferred Pro Fullsize, PS/2, Stealth Black)	FRU#	CRU
US English (model CTO 31U 31L 31G 31M 31A 31Q 31C 31H 32M 33M 31E 3FU 3FL 3FG 3FM 3FA 3FQ 3FC 3FH 3FE A1M 21M B1M B2M 34U 34G 34M 34A 34Q 34C 34H 34R 34E A3M A4M 35U 35H 36A 36Q 58U 58U 58G 58M 58A 58Q 58C 58H 37H 38H 4XU 4XU 4XG 4XM 4XA 4XQ 4XC 4XH 39A 39Q 6AU 6AU 6AG 6AM 6AA 6AQ 6AC 6AH 3AA 3AQ D1M D2M D3M D4M D5M D6M D7M D8A D8Q BMU BMU BMG BMM BMA BMQ BMC BMH E1A E1Q)	89P8300	*
Arabic (models CTO-G 31G 3FG 4SG 234G 58G 4XG 6AG BMG)	89P8301	*
Belgian/French (models CTO-G 31G 3FG 4SG 234G 58G 4XG 6AG BMG)	89P8302	*
Belgian/UK (models CTO-G 31G 3FG 4SG 234G 58G 4XG 6AG BMG)	89P8303	*
Bulgarian (models CTO-G 31G 3FG 4SG 234G 58G 4XG 6AG BMG)	89P8305	*
Chinese/US (models 31B 31V 3FB 3FV 34B 34V CTO-A 35B 58B 58V 37B 38B 4XB 4XV 6AB 6AV BMB BMV)	89P8306	*
Czech (models CTO-G 31G 3FG 4SG 234G 58G 4XG 6AG BMG)	89P8307	*
Danish (models CTO-G 31G 3FG 4SG 234G 58G 4XG 6AG BMG)	89P8308	*
Dutch (models CTO-G 31G 3FG 4SG 234G 58G 4XG 6AG BMG)	89P8309	*
French (models CTO-G 31G 3FG 4SG 234G 58G 4XG 6AG BMG)	89P8310	*
French Canadian 445 (models CTO-U 31F 3FF 34F 35F 58F 4XF 6AF BMF)	89P8311	*
French Canadian 58 (models CTO-U 31F 3FF 34F 35F 58F 4XF 6AF BMF)	89P8312	*
German (models CTO-G 31G 3FG 4SG 234G 58G 4XG 6AG BMG)	89P8313	*
Greek (models CTO-G 31G 3FG 4SG 234G 58G 4XG 6AG BMG)	89P8314	*
Hebrew (models CTO-G 31G 3FG 4SG 234G 58G 4XG 6AG BMG)	89P8315	*
Hungarian (models CTO-G 31G 3FG 4SG 234G 58G 4XG 6AG BMG)	89P8316	*
Iceland (models CTO-G 31G 3FG 4SG 234G 58G 4XG 6AG BMG)	89P8317	*
Italian 141 (models CTO-G 31G 3FG 4SG 234G 58G 4XG 6AG BMG)	89P8318	*
Italian 142 (models CTO-G 31G 3FG 4SG 234G 58G 4XG 6AG BMG)	89P8319	*
Japanese (models 31J 3FJ 34J 58J 4XJ 6AJ BMJ)	89P8320	*

<b>8172 Keyboard (Preferred Pro Fullsize, PS/2, Stealth Black)</b>	<b>FRU#</b>	<b>CRU</b>
Korean (models 31K 3FK 34K 58K 37K 38K 4XK 6AK BMK)	89P8321	*
LA Spanish (models 31S 31D 31Y 3FS 3FD 3FY 34S 34D 34Y CTO-L 58S 58D 58Y 4XS 4XD 4XY 6AS 6AD 6AY BMS BMD BMY)	89P8322	*
Norwegian (models CTO-G 31G 3FG 4SG 234G 58G 4XG 6AG BMG)	89P8323	*
Polish (models CTO-G 31G 3FG 4SG 234G 58G 4XG 6AG BMG)	89P8324	*
Portuguese (models CTO-G 31G 3FG 4SG 234G 58G 4XG 6AG BMG)	89P8325	*
Romanian (models CTO-G 31G 3FG 4SG 234G 58G 4XG 6AG BMG)	89P8326	*
Russian (models CTO-G 31G 3FG 4SG 234G 58G 4XG 6AG BMG)	89P8327	*
Russian/Cyrillic (models CTO-G 31G 3FG 4SG 234G 58G 4XG 6AG BMG)	89P8328	*
Serbian/Cyrillic (models CTO-G 31G 3FG 4SG 234G 58G 4XG 6AG BMG)	89P8329	*
Slovak (models CTO-G 31G 3FG 4SG 234G 58G 4XG 6AG BMG)	89P8330	*
Spanish (models CTO-G 31G 3FG 4SG 234G 58G 4XG 6AG BMG)	89P8331	*
Swedish/Finn (models CTO-G 31G 3FG 4SG 234G 58G 4XG 6AG BMG)	89P8332	*
Swiss F/G (models CTO-G 31G 3FG 4SG 234G 58G 4XG 6AG BMG)	89P8333	*
Thailand (models 31T 3FT 34T CTO-A 36T 58T 4XT 39T 6AT 3AT D8T BMT E1T)	89P8334	*
Turkish 440 (models CTO-G 31G 3FG 4SG 234G 58G 4XG 6AG BMG)	89P8335	*
Turkish 179 (models CTO-G 31G 3FG 4SG 234G 58G 4XG 6AG BMG)	89P8336	*
UK English (models CTO-G 31G 3FG 4SG 234G 58G 4XG 6AG BMG)	89P8337	*
US Euro (models CTO-G 31G 3FG 4SG 234G 58G 4XG 6AG BMG)	89P8338	*
Yugoslav/Latin (models CTO-G 31G 3FG 4SG 234G 58G 4XG 6AG BMG)	89P8339	*
Brazil/Portugese (models 31P 3FP 34P CTO-L 58P 4XP 6AP BMP)	89P8304	*

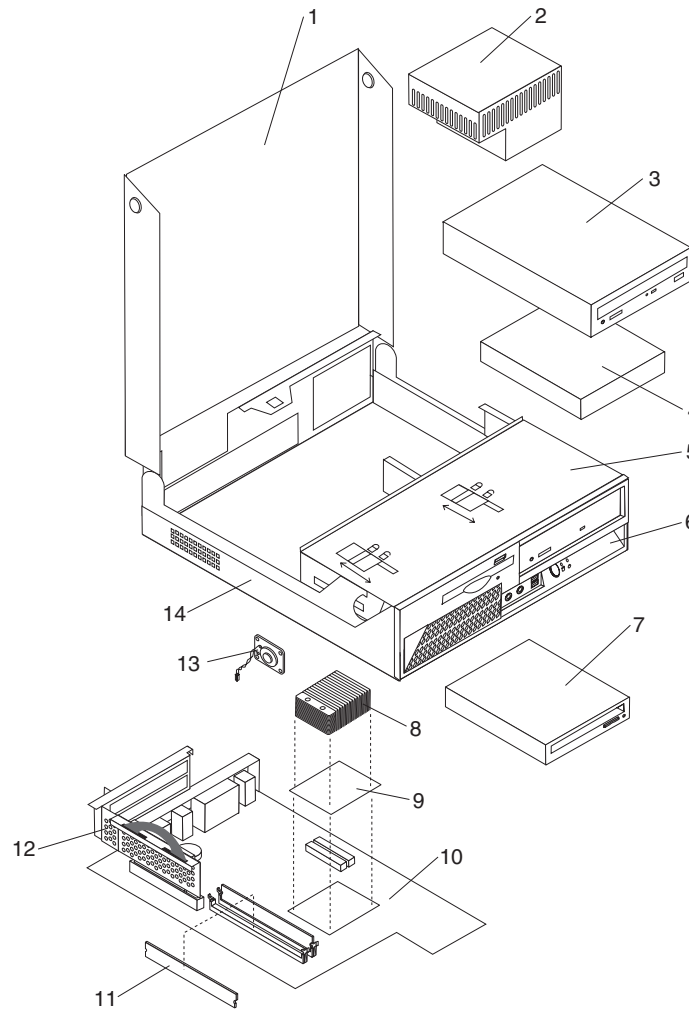
<b>8172 Power Cords</b>	<b>FRU#</b>	<b>CRU</b>
Power cord (models 31U 31F 31S 31P 31L 31D 31G 31A 31T 31V 3FU 3FF 3FS 3FP 3FL 3FD 3FG 3FA 3FT 3FV 34U 34F 34S 34P 34D 34G 34A 34T 34V 35U 35F 36A 36T 58U 58F 58S 58P 58U 58D 58G 58A 58T 58V 4XU 4XF 4XS 4XP 4XU 4XD 4XG 4XA 4XT 4XV 39A 39T 6AU 6AF 6AS 6AP 6AU 6AD 6AG 6AA 6AT 6AV 3AA 3AT D8A D8T BMU BMF BMS BMP BMU BMD BMG BMA BMT BMV E1A E1T)	6952301	*
Power cord (ANZ) (models 31M 32M 33M 3FM B1M B2M 34M A3M A4M 58M 4XM 6AM D1M D2M D3M D4M D5M D6M D7M BMM)	13F9939	*
Power cord (EMEA, ANZ, ASEAN Eng, Korea) (models 31G 31K 3FG 3FK 34G 34K 34R 58G 58K 37K 38K 4XG 4XK 6AG 6AK BMG BMK)	13F9978	*
Power cord (EMEA, ANZ, ASEAN Eng, HK Eng) (models 31G 31H 3FG 3FH 34G 34H 35H 58G 58H 37H 38H 4XG 4XH 6AG 6AH BMG BMH)	14F0032	*
Power cord (EMEA) (models 31G 3FG 34G 58G 4XG 6AG BMG)	13F9996	*
Power cord (EMEA, LA) (models 31S 31P 31L 31D 31Y 31G 3FS 3FP 3FL 3FD 3FY 3FG 34S 34P 34D 34Y 34G 58S 58P 58D 58Y 58G 4XS 4XP 4XD 4XY 4XG 6AS 6AP 6AD 6AY 6AG BMS BMP BMD BMY BMG)	14F0068	*
Power cord (APU) (models 31Y 3FY 34Y 58Y 4XY 6AY BMY)	36L8879	*
Power cord (Japan) (models 31J 31E 3FE 3FJ 34E 34J 58J 4XJ 6AJ BMJ)	1838576	*
Power cord (China, HK) (models 31C 31B 31H 3FC 3FB 3FH 34C 34B 34H 35B 35H 58C 58B 58H 37B 37H 38B 38H 4XC 4XB 4XH 6AC 6AB 6AH BMC BMB BMH)	02K0545	*
Power cord (EMEA) (models 31G 3FG 34G 58G 4XG 6AG BMG)	14F0086	*
Power cord (EMEA, ANZ, ASEAN Eng) (models 31G 3FG 34G 58G 4XG 6AG BMG)	14F0014	*

8172 Power Cords	FRU#	CRU
Power cord (EMEA) (models 31G 3FG 34G 58G 4XG 6AG BMG)	14F0050	*
Power cord (India) (models 31Q 3FQ 34Q 36Q 58Q 4XQ 39Q 6AQ 3AQ D8Q BMQ E1Q)	49P2078	*

8172 Windows XP Home Recovery CDs	FRU #	CRU
US (models D2M D6M)	39J6765	*

8172 Windows XP Pro Recovery CDs	FRU #	CRU
US (models 31U 31L 31M 31A 31Q 31T 31H 32M 33M 31E 3FU 3FL 3FM 3FA 3FQ 3FT 3FH 3FE A1M 21M B1M B2M 34U 34M 34A 34Q 34T 34H 34R 34E A3M A4M 35U 35H 36A 36Q 36T 58U 58U 58M 58A 58Q 58T 58H 37H 38H 4XU 4XU 4XM 4XA 4XQ 4XT 4XH 39A 39Q 39T 6AU 6AU 6AM 6AA 6AQ 6AT 6AH 3AA 3AQ 3AT D1M D3M D4M D5M D7M D8A D8Q D8T BMU BMU BMM BMA BMQ BMT BMH E1A E1Q E1T)	39J6597	*
FR (models 31F 31G 3FF 3FG 34F 34G 35F 58F 58G 4XF 4XG 6AF 6AG BMF BMG)	39J6598	*
GR (models 31G 3FG 4SG 234G 58G 4XG 6AG BMG)	39J6599	*
IT (models 31G 3FG 4SG 234G 58G 4XG 6AG BMG)	39J6601	*
SP (models 31G 3FG 34S 34D 34Y 34G 31S 31D 31Y 3FS 3FD 3FY 58S 58D 58Y 58G 4XS 4XD 4XY 4XG 6AS 6AD 6AY 6AG BMS BMD BMY BMG)	39J6600	*
BR (models 34P 31P 3FP)	39J6602	*
DK (models 31G 3FG 34S 34D 34Y 4SG 234G 58G 4XG 6AG BMG)	39J6600	*
NL (models 31G 3FG 4SG 234G 58G 4XG 6AG BMG)	39J6607	*
AE (models 31G 3FG 4SG 234G 58G 4XG 6AG BMG)	39J6611	*
SV (models 31G 3FG 4SG 234G 58G 4XG 6AG BMG)	39J6603	*
HE (models 31G 3FG 4SG 234G 58G 4XG 6AG BMG)	39J6608	*
FI (models 31G 3FG 4SG 234G 58G 4XG 6AG BMG)	39J6605	*
NO (models 31G 3FG 4SG 234G 58G 4XG 6AG BMG)	39J6606	*
PL (models 31G 3FG 4SG 234G 58G 4XG 6AG BMG)	39J6609	*
PO (models 31G 3FG 4SG 234G 58G 4XG 6AG BMG)	39J6615	*
RU (models 31G 3FG 4SG 234G 58G 4XG 6AG BMG)	41D1198	*
HU (models 31G 3FG 4SG 234G 58G 4XG 6AG BMG)	39J6614	*
CZ (models 31G 3FG 4SG 234G 58G 4XG 6AG BMG)	39J6610	*
TR (models 31G 3FG 4SG 234G 58G 4XG 6AG BMG)	39J6602	*
GK (models 31G 3FG 4SG 234G 58G 4XG 6AG BMG)	39J6616	*
SL (models 31G 3FG 4SG 234G 58G 4XG 6AG BMG)	39J6617	*
JP (models 31J 3FJ 34J 58J 4XJ 6AJ BMJ)	30R4762	*
CS (models 31C 3FC 34C 58C 4XC 6AC BMC)	30R4741	*
TW (models 31V 3FV 34V 58V 4XV 6AV BMV)	30R4748	*
HK (models 31B 3FB 34B 35B 58B 37B 38B 4XB 6AB BMB)	30R4755	*
KR (models 31K 3FK 34K 58K 37K 38K 4XK 6AK BMK)	30R4734	*
Multilingual 1 (models 31G 3FG 4SG 234G 58G 4XG 6AG BMG)	39J6215	*
Multilingual 2 (models 31G 3FG 4SG 234G 58G 4XG 6AG BMG)	39J6216	*

# Machine Type 8173



Item #	8173 FRUs	FRU#	CRU
1	Cover (all models)	26K1217	**
2	Power Supply (225 Watt) (models 31U 31F 31G 31M 31A 31T 31K 31J 31E CTO-U CTO-G)	24R2567	**
2	Power Supply (225 Watt) (China) (models 31S 31P 31L 31D 31Y 31Q 31C 31B 31H 31V)	24R2570	**
3	CD-ROM Drive 48X - Black w/o jack & vol (models CTO-U CTO-G 31U 31F 31S 31P 31L 31D 31Y 31G 31M 31A 31Q 31T 31C 31B 31H 31V 31K 31J 31E)	71P7371	*
3	CD-ROM Drive 48X - Black w/o jack & vol (models CTO-U CTO-G 31U 31F 31S 31P 31L 31D 31Y 31G 31M 31A 31Q 31T 31C 31B 31H 31V 31K 31J 31E)	71P7375	*
3	CD-ROM Drive 48X - Black w/o jack & vol (models CTO-U CTO-G 31U 31F 31S 31P 31L 31D 31Y 31G 31M 31A 31Q 31T 31C 31B 31H 31V 31K 31J 31E)	71P7385	*
3	CD-ROM Drive 48X - Black w/o jack & vol (models CTO-U CTO-G 31U 31F 31S 31P 31L 31D 31Y 31G 31M 31A 31Q 31T 31C 31B 31H 31V 31K 31J 31E)	71P7377	*
3	CD-ROM Drive 48X - Black w/o jack & vol (models CTO 31U 31F 31S 31P 31L 31D 31Y 31G 31M 31A 31Q 31T 31C 31B 31H 31V 31K 31J 31E)	39M3511	*
3	CD-ROM Drive 48X - Black w/o jack & vol (models CTO 31U 31F 31S 31P 31L 31D 31Y 31G 31M 31A 31Q 31T 31C 31B 31H 31V 31K 31J 31E)	26K5445	*

Item #	8173 FRUs	FRU#	CRU
3	CD-ROM Drive 48X - Black w/o jack & vol (models CTO 31U 31F 31S 31P 31L 31D 31Y 31G 31M 31A 31Q 31T 31C 31B 31H 31V 31K 31J 31E)	40Y8807	*
3	DVD-ROM 16X/48X - Black (models CTO-U CTO-G)	33P3237	*
3	DVD-ROM 16X/48X - Black (models CTO-U CTO-G)	71P7357	*
3	DVD-ROM 16X/48X - Black (models CTO-U CTO-G)	26K5385	*
3	DVD-ROM 16X/48X - Black (models CTO-U CTO-G)	26K5435	*
3	DVD-ROM 16X/48X - Black (models CTO)	39M3513	*
3	DVD-ROM 16X/48X - Black (models CTO)	39M3515	*
3	DVD-ROM 16X/48X - Black (models CTO)	39M3517	*
3	DVD-ROM 16X/48X - Black (models CTO)	40Y8935	*
3	DVD-ROM 16X/48X - Black (models CTO)	40Y8933	*
3	CD-RW Drive (48X/32X/48X) (models CTO-U CTO-G)	71P7347	*
3	CD-RW Drive (48X/32X/48X) (models CTO-U CTO-G)	71P7349	*
3	CD-RW Drive (48X/32X/48X) (models CTO-U CTO-G)	26K5401	*
3	CD-RW Drive (48X/32X/48X) (models CTO)	40Y8901	*
3	Universal Combo Drive (48x/24x/48x/16x) -- optional to 26K5379 and 26K5381 (models CTO-U CTO-G)	26K5390	*
3	DVD-ROM/CD-RW Combo Drive (48x/24x/48x/16x) (models CTO-U CTO-G)	26K5379	*
3	DVD-ROM/CD-RW Combo Drive (48x/24x/48x/16x) (models CTO-U CTO-G)	26K5381	*
3	DVD-ROM/CD-RW Combo Drive (48x/24x/48x/16x) (models CTO-U CTO-G)	26K5429	*
3	DVD-ROM/CD-RW Combo Drive (48x/32x/48x/16x) (models CTO)	39M3539	*
3	DVD-ROM/CD-RW Combo Drive (48x/32x/48x/16x) (models CTO)	40Y8781	*
3	DVD-ROM/CD-RW Combo Drive (48x/32x/48x/16x) (models CTO)	40Y8903	*
3	DVD-ROM/CD-RW Combo Drive (48x/32x/48x/16x) (models CTO)	40Y8919	*
3	Universal Rambo drive (Black) (models CTO-U CTO-G)	26K5377	*
3	Multi-Burner Plus (Rambo IV) (models CTO-U CTO-G)	26K5383	*
3	Multi-Burner Plus (Rambo VI) (models CTO)	26K5441	*
3	Multi-Burner Plus (Rambo VI) (models CTO)	39M3519	*
3	Multi-Burner Plus (Rambo VI) (models CTO)	40Y8799	*
3	Multi-Burner Plus (Rambo VI) (models CTO)	40Y8909	*
4	HDD 40GB 7200rpm Serial ATA (models CTO-U CTO-G 31U 31F 31S 31P 31L 31D 31Y 31G 31M 31A 31Q 31T 31C 31B 31H 31V 31K 31J 31E)	71P7312	*
4	HDD 40GB 7200rpm Serial ATA (models CTO 31U 31F 31S 31P 31L 31D 31Y 31G 31M 31A 31Q 31T 31C 31B 31H 31V 31K 31J 31E)	40Y8760	*
4	HDD 40GB 7200rpm Serial ATA (models CTO 31U 31F 31S 31P 31L 31D 31Y 31G 31M 31A 31Q 31T 31C 31B 31H 31V 31K 31J 31E)	40Y9033	*
4	HDD 80GB 7200rpm Serial ATA (models CTO)	71P7293	*
4	HDD 80GB 7200rpm Serial ATA (models CTO)	40Y8761	*
4	HDD 80GB 7200rpm Serial ATA (models CTO)	40Y9034	*
4	HDD 160GB 7200rpm Serial ATA (models CTO)	71P7297	*
4	HDD 160GB 7200rpm Serial ATA (models CTO)	40Y8762	*
4	HDD 160GB 7200rpm Serial ATA (models CTO)	40Y9035	*



Item #	8173 FRUs	FRU#	CRU
5	Rotating bay assembly (all models)	03R0285	*
6	Plastic bezel kit (all models)	26K1214	*
7	Diskette drive, Half Inch (slim) 1.44MB 3 Mode (models CTO-U CTO-G 31U 31F 31S 31P 31L 31D 31Y 31G 31M 31A 31Q 31T 31C 31B 31H 31V 31K 31J 31E)	36L8645	*
7	Diskette drive, Half Inch (slim) 1.44MB 3 Mode (models CTO 31U 31F 31S 31P 31L 31D 31Y 31G 31M 31A 31Q 31T 31C 31B 31H 31V 31K 31J 31E)	39M0107	*
7	Diskette drive, Half Inch (slim) 1.44MB 3 Mode (models CTO 31U 31F 31S 31P 31L 31D 31Y 31G 31M 31A 31Q 31T 31C 31B 31H 31V 31K 31J 31E)	40Y9111	*
7	Diskette drive, Half Inch (slim) 1.44MB 3 Mode (models CTO 31U 31F 31S 31P 31L 31D 31Y 31G 31M 31A 31Q 31T 31C 31B 31H 31V 31K 31J 31E)	39M0105	*
7	Diskette drive, Half Inch (slim) 1.44MB 3 Mode (models CTO 31U 31F 31S 31P 31L 31D 31Y 31G 31M 31A 31Q 31T 31C 31B 31H 31V 31K 31J 31E)	40Y9109	*
8	Heat Sink, Side Car, P4 (all models)	26K1207	**
9	2.53 GHZ Celeron Prescott P4 (models CTO-U CTO-G)	29R7203	**
9	2.66 GHZ Celeron Prescott P4 (models CTO-U CTO-G)	29R7205	**
9	2.8 GHZ Celeron Prescott P4 (models CTO-U CTO-G)	29R7207	**
9	2.93 GHZ Celeron Prescott P4 (models CTO-U CTO-G)	29R7209	**
9	3.06 GHZ Celeron Prescott P4 (models CTO-U CTO-G)	29R8205	**
9	2.53GHZ Celeron Prescott P4 326 (models CTO)	41D0515	**
9	2.66 GHZ Celeron Prescott P4 331 (models CTO)	41D0517	**
9	2.8 GHZ Celeron Prescott P4 336 (models CTO)	41D0519	**
9	2.93 GHZ Celeron Prescott P4 (341 models CTO)	41D0521	**
9	3.06 GHZ Celeron Prescott P4 346 (models CTO)	41D0523	**
9	3.2 GHZ Celeron Prescott P4 351 (models CTO)	41D0525	**
9	2.8 GHZ Prescott P4 (models CTO-U CTO-G)	19R0489	**
9	2.93 GHZ Prescott P4 (models CTO)	29R7211	**
9	2.93 GHZ Prescott P4 (models CTO-U CTO-G)	29R7213	**
9	2.66 GHZ Prescott P4 (models CTO)	41D0670	**
9	2.93 GHZ Prescott P4 (models CTO)	41D0671	**
9	3.06 GHZ Prescott P4 (models CTO)	41D0672	**
9	3.0 GHZ Prescott P4 (models 32M CTO-U CTO-G 21M)	19R0490	**
9	3.2 GHZ Prescott P4 (models CTO-U CTO-G 31U 31F 31S 31P 31L 31D 31Y 31G 31A 31Q 31T 31C 31B 31H 31V 31K 31J 33M 31E)	19R0491	**
9	3.4 GHZ Prescott P4 (models CTO-U CTO-G)	19R0492	**
9	3.4 GHZ Prescott P4 (models CTO-U CTO-G)	41D0708	**
9	3.0GHZ Prescott P4 531 (models CTO)	41D0527	**
9	3.2GHZ Prescott P4 541 (models CTO)	41D0529	**
9	3.4GHZ Prescott P4 551 (models CTO)	41D0531	**
9	3.0 GHZ Prescott P4 (models CTO)	39J6583	**
9	3.2 GHZ Prescott P4 (models CTO)	39J6585	**
9	3.4 GHZ Prescott P4 (models CTO)	39J6587	**
10	System Board (Intel 915G) 10/1000 w/ POV (models CTO-U CTO-G 31U 31F 31S 31P 31L 31D 31Y 31G 31M 31A 31Q 31T 31C 31B 31H 31V 31K 31J 31E)	41X2837	**

Item #	8173 FRUs	FRU#	CRU
10	System Board (Intel 915GV) 10/1000 w/ POV (models CTO-U CTO-G)	41X2838	**
11	512 MB PC2 3200 Memory (models 31U 31F 31S 31P 31L 31D 31Y 31G 31M 31A 31Q 31T 31C 31B 31H 31V 31K 31J CTO-U CTO-G 31E)	73P2684	*
12	Riser card assembly (all models)	41A7730	*
13	Speaker assembly (all models)	03R0294	*
14	Chassis (all models)	26K1218	**

The FRUs listed in the following table are not illustrated.

8173 FRUs	FRU#	CRU
Tool-less hardfile tray (all models)	03R0302	*
Cable, PWR/LED (all models)	03R0283	*
Internal plastic kit (all models)	03R0289	*
Cable, optical 1-drop ATA 100 (all models)	03R0291	*
Cable, 2-drop ATA 100 (all models)	03R0292	*
Cable, SATA (all models)	03R0293	*
Planar tray (all models)	03R0295	*
Fan assembly (all models)	26K1210	*
Riser Card Assembly (all models)	26K1209	*
Planar tray (all models)	26K1213	**
Heat Sink Retention Module Asm (all models)	26K1206	**
Kensington Lock Spacer (all models)	41A7702	**
Planar I/O Shield Kit (all models)	41A7703	**
Cable, Diskette drive (all models)	03R0297	*
Shield, 5.25 EMC (all models)	19K5548	*
Floor stand and vertical deflector (all models)	74P0404	*
Cable, Zip drive, 2-drop (all models)	88P7258	*
Battery (all models)	33F8354	*
Universal Adapter Bracket 5.25 to 3.5-inch	32P4743	*
Mouse, optical wheel (models CTO-G CTO-U 31U 31F 31S 31P 31L 31D 31Y 31G 31M 31A 31Q 31T 31C 31B 31H 31V 31K 31J 31E)	89P5089	*
Korean label (models 31K)	13R9162	*
Fan baffle for Prescott processor (all models)	26K1233	*
PCI-E DVI-D Connection Adapter (models CTO)	19R2374	*
RJ11 connector adapter (Spain, Ireland) (All 'G' models)	60H6043	*
RJ11 connector adapter (Austria) (All 'G' models)	60H6045	*
RJ11 connector adapter (Belgium) (All 'G' models)	60H6046	*
RJ11 connector adapter (Denmark) (All 'G' models)	60H6047	*
RJ11 connector adapter (Norway, Finland) (All 'G' models)	60H6048	*
RJ11 connector adapter (France) (All 'G' models)	60H6049	*
RJ11 connector adapter (Germany) (All 'G' models)	60H6050	*
RJ11 connector adapter (UK, NZ, HK) (All 'G', 'M', 'B', 'H' models)	60H6051	*

8173 FRUs	FRU#	CRU
RJ11 connector adapter (Italy) (All 'G' models)	60H6052	*
RJ11 connector adapter (Netherlands) (All 'G' models)	60H6053	*
RJ11 connector adapter (Sweden) (All 'G' models)	60H6054	*
RJ11 connector adapter (Switzerland) (All 'G' models)	60H6055	*

8173 Keyboard (Preferred Pro Fullsize, PS/2, Stealth Black)	FRU#	CRU
US English (models 31U 31L 31G 31M 31A 31Q 31C 31H 31E)	89P8300	*
Arabic (models 31G)	89P8301	*
Belgian/French (models 31G)	89P8302	*
Belgian/UK (models 31G)	89P8303	*
Bulgarian (models 31G)	89P8305	*
Chinese/US (models 31B 31V)	89P8306	*
Czech (models 31G)	89P8307	*
Danish (models 31G)	89P8308	*
Dutch (models 31G)	89P8309	*
French (models 31G)	89P8310	*
French Canadian 445 (models 31F)	89P8311	*
French Canadian 58 (models 31F)	89P8312	*
German (models 31G)	89P8313	*
Greek (models 31G)	89P8314	*
Hebrew (models 31G)	89P8315	*
Hungarian (models 31G)	89P8316	*
Iceland (models 31G)	89P8317	*
Italian 141 (models 31G)	89P8318	*
Italian 142 (models 31G)	89P8319	*
Japanese (models 31J)	89P8320	*
Korean (models 431K)	89P8321	*
LA Spanish (models 31S 31D 31Y)	89P8322	*
Norwegian (models 31G)	89P8323	*
Polish (models 31G)	89P8324	*
Portuguese (models 31G)	89P8325	*
Romanian (models 31G)	89P8326	*
Russian (models 31G)	89P8327	*
Russian/Cyrillic (models 31G)	89P8328	*
Serbian/Cyrillic (models 31G)	89P8329	*
Slovak (models 31G)	89P8330	*
Spanish (models 31G)	89P8331	*
Swedish/Finn (models 31G)	89P8332	*
Swiss F/G (models 31G)	89P8333	*
Thailand (models 31T)	89P8334	*
Turkish 440 (models 31G)	89P8335	*

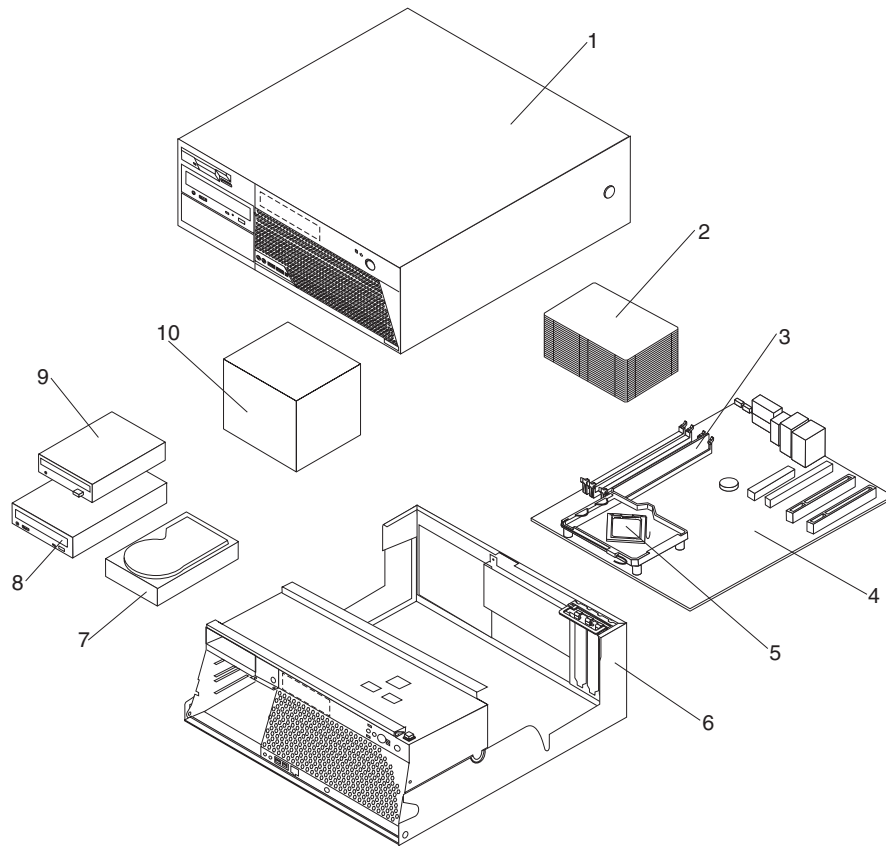
<b>8173 Keyboard (Preferred Pro Fullsize, PS/2, Stealth Black)</b>	<b>FRU#</b>	<b>CRU</b>
Turkish 179 (models 31G)	89P8336	*
UK English (models 31G)	89P8337	*
US Euro (models 31G)	89P8338	*
Yugoslav/Latin (models 31G)	89P8339	*
Brazil/Portugese (models 31P)	89P8304	*

<b>8173 Power Cords</b>	<b>FRU#</b>	<b>CRU</b>
Power cord (models 31U 31F 31S 31P 31L 31D 31G 31A 31T 31V)	6952301	*
Power cord (ANZ) (models 31M)	13F9939	*
Power cord (EMEA, ANZ, ASEAN Eng, Korea) (models 31G 31K)	13F9978	*
Power cord (EMEA, ANZ, ASEAN Eng, HK Eng) (models 31G 31H)	14F0032	*
Power cord (EMEA) (models 31G)	13F9996	*
Power cord (EMEA, LA) (models 31S 31P 31L 31D 31Y 31G)	14F0068	*
Power cord (APU) (models 31Y)	36L8879	*
Power cord (Japan) (models 31J 31E)	1838576	*
Power cord (China, HK) (models 31C 31B 31H)	02K0545	*
Power cord (EMEA) (models 31G)	14F0086	*
Power cord (EMEA, ANZ, ASEAN Eng) (models 31G)	14F0014	*
Power cord (EMEA) (models 31G)	14F0050	*
Power cord (India) (models 31Q)	49P2078	*

<b>8173 Windows XP Pro Recovery CDs</b>	<b>FRU #</b>	<b>CRU</b>
US (models 31U 31L 31M 31A 31Q 31T 31H 31E)	39J6597	*
FR (models 31F 31G)	39J6598	*
GR (models 31G)	39J6599	*
IT (models 31G)	39J6601	*
SP (models 31S 31D 31Y 31G)	39J6600	*
BR (models 31P)	39J6602	*
DK (models 31G)	39J6600	*
NL (models 31G)	39J6607	*
AE (models 31G)	39J6611	*
SV (models 31G)	39J6603	*
HE (models 31G)	39J6608	*
FI (models 31G)	39J6605	*
NO (models 31G)	39J6606	*
PL (models 31G)	39J6609	*
PO (models 31G)	39J6615	*
RU (models 31G)	41D1198	*
RE (models 31G)	41D1223	*
HU (models 31G)	39J6614	*
CZ (models 31G)	39J6610	*

8173 Windows XP Pro Recovery CDs	FRU #	CRU
TR (models 31G)	39J6602	*
GK (models 31G)	39J6616	*
SL (models 31G)	39J6617	*
JP (models 31J)	30R4762	*
CS (models 31C)	30R4741	*
TW (models 31V)	30R4748	*
HK (models 31B)	30R4755	*
KR (models 31K)	30R4734	*
Multilingual 1 (models 31G)	39J6215	*
Multilingual 2 (models 31G)	39J6216	*

## Machine Type 8420



Item #	8420 FRUs	FRU#	CRU
1	Top Cover Asm (all models)	89P6730	*
2	Heat sink (models 21P 31A 32P CTO 32U 11G 22G 23G 31Q 33G 34G 42P 43G 52P 53G 31C 31B 31H 31V 71G 72G 24U C1U 35U C2U 61G B1G D1G E1G F1G)	89P6729	**
3	256MB PC2 3200 Memory (400mhz DDR2) (models 21P 32P CTO 32U 31A 11G 22G 23G 31Q 33G 34G 42P 43G 52P 53G 31C 31B 31H 31V 71G 72G 24U 35U 61G B1G D1G E1G F1G)	73P3220	*
3	512MB PC2 3200 Memory (400mhz DDR2) (models CTO)	73P3222	*
3	1024MB PC2 3200 Memory (400mhz DDR2) (models CTO)	73P3224	*
4	System board 10/1000 w/ POV (models 21P 31A 32P CTO 32U 11G 22G 23G 31Q 33G 34G 42P 43G 52P 53G 31C 31B 31H 31V 71G 72G 24U 35U 61G C1U C2U B1G D1G E1G F1G)	29R8261	**
5	2.53 GHZ Celeron Prescott P4 (models CTO)	29R7215	**
5	2.66 GHZ Celeron Prescott P4 (models CTO)	29R7217	**
5	2.8 GHZ Celeron Prescott P4 (models CTO)	29R7219	**
5	2.93 GHZ Celeron Prescott P4 (models CTO)	29R7221	**
5	3.06GHZ Celeron Prescott P4 (models CTO)	29R8208	**
5	2.53GHZ Celeron Prescott P4 326 (models CTO)	39J9397	**
5	2.66 GHZ Celeron Prescott P4 331 (models CTO)	39J9399	**
5	2.8 GHZ Celeron Prescott P4 336 (models CTO)	39J9401	**
5	2.93 GHZ Celeron Prescott P4 341 (models CTO)	39J9403	**

Item #	8420 FRUs	FRU#	CRU
5	3.06 GHZ Celeron Prescott P4 346 (models CTO)	39J9405	**
5	3.2 GHZ Celeron Prescott P4 351 (models CTO)	41D0533	**
5	2.66 GHZ Prescott P4 (models CTO)	29R7223	**
5	2.93GHZ Prescott P4 (models CTO)	29R7225	**
5	2.66GHZ Celeron Prescott P4 346 (models CTO)	41D0676	**
5	2.93GHZ Celeron Prescott P4 351 (models CTO)	41D0677	**
5	3.06GHZ Celeron Prescott P4 (models CTO)	41D0678	**
5	2.8GHZ Prescott P4 (models CTO)	19R0495	**
5	2.8GHZ Prescott P4 (models 11G CTO)	19R0495	**
5	3.0GHZ Prescott P4 (models 21P CTO 22G 23G 71G 24U C1U)	19R0496	**
5	3.2GHZ Prescott P4 (models 31A 32P CTO 32U 31Q 33G 34G 31C 31B 31H 31V 72G 35U C2U)	19R0497	**
5	3.4GHZ Prescott P4 (models CTO 42P 43G)	19R0498	**
5	3.4GHZ Prescott P4 (low-power) (models CTO)	19R3011	**
5	3.6GHZ Prescott P4 (models CTO 52P 53G)	19R0499	**
5	3.8GHZ Prescott P4 (models CTO 61G)	29R8211	**
5	2.8GHZ Prescott P4 531 (models CTO)	39J9407	**
5	3.0GHZ Prescott P4 531 (models CTO)	39J9409	**
5	3.2GHZ Prescott P4 541 (models CTO)	39J9411	**
5	3.4GHZ Prescott P4 551 (models CTO)	39J9413	**
5	3.6GHZ Prescott P4 561 (models CTO)	41D0535	**
5	3.8GHZ Prescott P4 571 (models CTO)	41D0537	**
5	3.0GHZ Prescott P4 (models CTO B1G)	39J6589	**
5	3.2GHZ Prescott P4 (models CTO B1D)	39J6591	**
5	3.4GHZ Prescott P4 (models CTO B1E)	39J6593	**
5	3.6GHZ Prescott P4 (models CTO B1F)	39J6595	**
5	3.8GHZ Prescott P4 670 (models CTO)	41D0539	**
6	Chassis and top cover kit (all models)	89P6732	**
7	HDD 40GB 7200 rpm Serial ATA (models CTO 11G 22G 33G 24U 35U)	71P7312	*
7	HDD 40GB 7200 rpm Serial ATA (models CTO 11G 22G 33G 24U 35U)	40Y8760	*
7	HDD 40GB 7200 rpm Serial ATA (models CTO 11G 22G 33G 24U 35U)	40Y9033	*
7	HDD 80GB 7200 rpm Serial ATA (models 21P 31A 32P CTO 32U 23G 31Q 34G 42P 43G 52P 53G 31C 31B 31H 31V 71G 72G 61G B1G D1G E1G F1G)	71P7293	*
7	HDD 80GB 7200 rpm Serial ATA (models 21P 31A 32P CTO 32U 23G 31Q 34G 42P 43G 52P 53G 31C 31B 31H 31V 71G 72G 61G B1G D1G E1G F1G)	40Y8761	*
7	HDD 80GB 7200 rpm Serial ATA (models 21P 31A 32P CTO 32U 23G 31Q 34G 42P 43G 52P 53G 31C 31B 31H 31V 71G 72G 61G B1G D1G E1G F1G)	40Y9034	*
7	HDD 160GB 7200 rpm Serial ATA (models CTO)	71P7297	*
7	HDD 160GB 7200 rpm Serial ATA (models CTO)	40Y8762	*
7	HDD 160GB 7200 rpm Serial ATA (models CTO)	40Y9035	*
8	CD-ROM Drive 48X - Black w/o jack & vol (models 21P 32P CTO 32U 31A 11G 22G 31Q 33G 42P 52P 31C 31B 31H 31V 24U 35U)	71P7371	*

Item #	8420 FRUs	FRU#	CRU
8	CD-ROM Drive 48X - Black w/o jack & vol (models 21P 32P CTO 32U 31A 11G 22G 31Q 33G 42P 52P 31C 31B 31H 31V 24U 35U)	71P7375	*
8	CD-ROM Drive 48X - Black w/o jack & vol (models 21P 32P CTO 32U 31A 11G 22G 31Q 33G 42P 52P 31C 31B 31H 31V 24U 35U)	71P7377	*
8	CD-ROM Drive 48X - Black w/o jack & vol (models 21P 32P CTO 32U 31A 11G 22G 31Q 33G 42P 52P 31C 31B 31H 31V 24U 35U)	71P7385	*
8	CD-ROM Drive 48X - Black w/o jack & vol (models 21P 32P CTO 32U 31A 11G 22G 31Q 33G 42P 52P 31C 31B 31H 31V 24U 35U)	39M3511	*
8	CD-ROM Drive 48X - Black w/o jack & vol (models 21P 32P CTO 32U 31A 11G 22G 31Q 33G 42P 52P 31C 31B 31H 31V 24U 35U)	26K5445	*
8	CD-ROM Drive 48X - Black w/o jack & vol (models 21P 32P CTO 32U 31A 11G 22G 31Q 33G 42P 52P 31C 31B 31H 31V 24U 35U)	40Y8807	*
8	DVD-ROM 16X/48X - Black (models CTO 23G 34G 43G 53G 71G 72G 61G B1G D1G E1G F1G)	33P3237	*
8	DVD-ROM 16X/48X - Black (models CTO 23G 34G 43G 53G 71G 72G 61G B1G D1G E1G F1G)	71P7357	*
8	DVD-ROM 16X/48X - Black (models CTO 23G 34G 43G 53G 71G 72G 61G B1G D1G E1G F1G)	33P3297	*
8	DVD-ROM 16X/48X - Black (models CTO 23G 34G 43G 53G 71G 72G 61G B1G D1G E1G F1G)	26K5385	*
8	DVD-ROM 16X/48X - Black (models CTO 61G B1G D1G E1G F1G)	26K5435	*
8	DVD-ROM 16X/48X - Black (models CTO 61G B1G D1G E1G F1G)	39M3513	*
8	DVD-ROM 16X/48X - Black (models CTO 61G B1G D1G E1G F1G)	39M3515	*
8	DVD-ROM 16X/48X - Black (models CTO 61G B1G D1G E1G F1G)	39M3517	*
8	DVD-ROM 16X/48X - Black (models CTO 61G B1G D1G E1G F1G)	40Y8935	*
8	DVD-ROM 16X/48X - Black (models CTO 61G B1G D1G E1G F1G)	40Y8933	*
8	CD-RW Drive (48X/32X/48X) (models CTO)	71P7347	*
8	CD-RW Drive (48X/32X/48X) (models CTO)	71P7349	*
8	CD-RW Drive (48X/32X/48X) (models CTO)	26K5401	*
8	CD-RW Drive (48X/32X/48X) (models CTO)	40Y8901	*
8	CD-RW Drive (48X/32X/48X) (models CTO)	40Y8937	*
8	DVD-ROM/CD-RW Combo Drive (48x/32x/48x/16x) (models CTO)	26K5379	*
8	DVD-ROM/CD-RW Combo Drive (48x/32x/48x/16x) (models CTO)	26K5381	*
8	DVD-ROM/CD-RW Combo Drive (48x/32x/48x/16x) (models CTO)	26K5429	*
8	DVD-ROM/CD-RW Combo Drive (48x/32x/48x/16x) (models CTO)	39M3539	*
8	DVD-ROM/CD-RW Combo Drive (48x/32x/48x/16x) (models CTO)	40Y8781	*
8	DVD-ROM/CD-RW Combo Drive (48x/32x/48x/16x) (models CTO)	40Y8903	*
8	DVD-ROM/CD-RW Combo Drive (48x/32x/48x/16x) (models CTO)	40Y8919	*
8	Universal Combo Drive (48x/24x/48x/16x) (models CTO)	26K5390	*
8	Multi-Burner Plus (Rambo IV) (models CTO)	26K5383	*
8	Universal Rambo drive (Black) for (models CTO)	26K5377	*
8	Multi-Burner Plus (Rambo VI) (models CTO)	26K5441	*
8	Multi-Burner Plus (Rambo VI) (models CTO)	39M3519	*
8	Multi-Burner Plus (Rambo VI) (models CTO)	40Y8799	*



Item #	8420 FRUs	FRU#	CRU
8	Multi-Burner Plus (Rambo VI) (models CTO)	40Y8909	*
9	3.5" 1.44MB 2MODE Diskette drive wo/Bezel (models 21P 31A 32P CTO 32U 11G 22G 23G 31Q 33G 34G 42P 43G 52P 53G 31C 31B 31H 31V 71G 72G 24U 35U 61G B1G D1G E1G F1G)	76H4091	*
9	3.5" 1.44MB 2MODE Diskette drive (w/Bezel) (models 21P 31A 32P CTO 32U 11G 22G 23G 31Q 33G 34G 42P 43G 52P 53G 31C 31B 31H 31V 71G 72G 24U 35U 61G B1G D1G E1G F1G)	40Y9107	*
9	3.5" 1.44MB 2MODE Diskette drive (w/Bezel) (models 21P 31A 32P CTO 32U 11G 22G 23G 31Q 33G 34G 42P 43G 52P 53G 31C 31B 31H 31V 71G 72G 24U 35U 61G B1G D1G E1G F1G)	24P3889	*
9	3.5" 1.44MB 2MODE Diskette drive (w/Bezel) (models 21P 31A 32P CTO 32U 11G 22G 23G 31Q 33G 34G 42P 43G 52P 53G 31C 31B 31H 31V 71G 72G 24U 35U 61G B1G D1G E1G F1G)	40Y9105	*
9	3.5" 1.44MB 2MODE Diskette drive (w/Bezel) (models 21P 31A 32P CTO 32U 11G 22G 23G 31Q 33G 34G 42P 43G 52P 53G 31C 31B 31H 31V 71G 72G 24U 35U 61G B1G D1G E1G F1G)	39M0101	*
9	3.5" 1.44MB 2MODE Diskette drive (w/Bezel) (models 21P 31A 32P CTO 32U 11G 22G 23G 31Q 33G 34G 42P 43G 52P 53G 31C 31B 31H 31V 71G 72G 24U 35U 61G B1G D1G E1G F1G)	40Y9113	*
10	Power Supply 310 Watt (models 31A 32U 11G 22G 23G 33G 34G 43G 53G 71G 72G 24U 35U 61G C1U C2U B1G D1G E1G F1G CTO)	24R2574	**
10	Power Supply 310 Watt (China) (models 21P 32P 31Q 42P 52P 31C 31B 31H 31V CTO-A CTO-L)	24R2578	**

The FRUs listed in the following table are not illustrated.

8420 FRUs	FRU#	CRU
HDD Mounting Brkt Asm (all models)	88P5916	*
Speaker Asm, internal (all models)	00N5151	*
Speaker Cable Asm (RoHS Compliant) (all models)	39M0614	*
C2 Cable Asm (all models)	09K9827	*
Cable, Second Serial Port (all models)	49P4530	*
Retention module (all models)	89P6725	*
Device Retaining Clips (all models)	13N2449	*
Fan and Duct Asm (all models)	39K5014	*
System board shield (all models)	89P6727	*
Cable, SATA (all models)	89P6728	*
Bezel Kit (all models)	89P6731	*
Cable and Front USB/Audio Card (all models)	89P6733	*
Cable, 2-drop IDE (all models)	89P6734	*
Cable, Diskette drive (all models)	89P6735	*
Shield, 5.25 Blank EMC (all models)	19K5548	*
Shield, Blank Diskette drive (all models)	89P6736	*
Miscellaneous Hardware kit (all models)	89P6737	*
Cable, 1394 Front (all models)	89P6738	*

8420 FRUs	FRU#	CRU
Cable, Power/LED (all models)	89P6739	*
Battery, 3.0V (all models)	33F8354	*
Universal Adapter Bracket 5.25 to 3.5-inch	32P4743	*
Mouse, PS/2 - 2-button (Black) (models CTO)	24P0383	*
Mouse, PS/2 - 3-Button (Ball) Wheel (models CTO)	24P0491	*
Mouse, Optical Wheelmouse, USB 400 DPI (models 21P 31A 32P CTO 32U 11G 22G 23G 31Q 33G 34G 42P 43G 52P 53G 31C 31B 31H 31V 71G 72G 24U 35U 61G B1G D1G E1G F1G)	89P5089	*
64MB PCIe Adapter Dual VGA (Iceman) (models CTO)	19R0849	*
64MB PCIe Adapter Dual VGA, DVI-I, TV out (Ironman) (models CTO)	19R0847	*
128MB PCIe Adapter Dual VGA, DVI-I, TV out (Spiderman) (models CTO)	19R1452	*
PCI-E DVI-D Connection Adapter (models CTO)	19R2374	*
RJ11 Connector adapter (Spain, Ireland) (all 'G' models)	60H6043	*
RJ11 Connector adapter (Austria) (all 'G' models)	60H6045	*
RJ11 Connector adapter (Belgium) (all 'G' models)	60H6046	*
RJ11 Connector adapter (Denmark) (all 'G' models)	60H6047	*
RJ11 Connector adapter (Norway/Finland) (all 'G' models)	60H6048	*
RJ11 Connector adapter (France) (all 'G' models)	60H6049	*
RJ11 Connector adapter (Germany) (all 'G' models)	60H6050	*
RJ11 Connector adapter (UK,NZ, HK) (all 'G' models)	60H6051	*
RJ11 Connector adapter (Italy) (all 'G' models)	60H6052	*
RJ11 Connector adapter (Netherlands) (all 'G' models)	60H6053	*
RJ11 Connector adapter (Sweden) (all 'G' models)	60H6054	*
RJ11 Connector adapter (Switzerland) (all 'G' models)	60H6055	*

8420 Keyboards (Preferred Pro Fullsize)	FRU#	CRU
US English (models 31A CTO 32U 11G 22G 23G 31Q 33G 34G 43G 53G 31C 31H 71G 72G 24U 35U 61G B1G D1G E1G F1G)	89P8300	*
Arabic (models CTO-G 11G 22G 23G 33G 34G 43G 53G 71G 72G 61G B1G D1G E1G F1G)	89P8301	*
Belgian/French (models CTO-G 11G 22G 23G 33G 34G 43G 53G 71G 72G 61G B1G D1G E1G F1G)	89P8302	*
Belgian/UK (models CTO-G 11G 22G 23G 33G 34G 43G 53G 71G 72G 61G B1G D1G E1G F1G)	89P8303	*
Bulgarian (models CTO-G 11G 22G 23G 33G 34G 43G 53G 71G 72G 61G B1G D1G E1G F1G)	89P8305	*
Chinese/US (models 31B 31V CTO-A)	89P8306	*
Czech (models CTO-G 11G 22G 23G 33G 34G 43G 53G 71G 72G 61G B1G D1G E1G F1G)	89P8307	*
Danish (models CTO-G 11G 22G 23G 33G 34G 43G 53G 71G 72G 61G B1G D1G E1G F1G)	89P8308	*
Dutch (models CTO-G 11G 22G 23G 33G 34G 43G 53G 71G 72G 61G B1G D1G E1G F1G)	89P8309	*
French (models CTO-G 11G 22G 23G 33G 34G 43G 53G 71G 72G 61G B1G D1G E1G F1G)	89P8310	*
French Canadian 445 (models CTO-U)	89P8311	*
French Canadian 58 (models CTO-U)	89P8312	*

8420 Keyboards (Preferred Pro Fullsize)	FRU#	CRU
German (models CTO-G 11G 22G 23G 33G 34G 43G 53G 71G 72G 61G B1G D1G E1G F1G)	89P8313	*
Greek (models CTO-G 11G 22G 23G 33G 34G 43G 53G 71G 72G 61G B1G D1G E1G F1G)	89P8314	*
Hebrew (models CTO-G 11G 22G 23G 33G 34G 43G 53G 71G 72G 61G B1G D1G E1G F1G)	89P8315	*
Hungarian (models CTO-G 11G 22G 23G 33G 34G 43G 53G 71G 72G 61G B1G D1G E1G F1G)	89P8316	*
Iceland (models CTO-G 11G 22G 23G 33G 34G 43G 53G 71G 72G 61G B1G D1G E1G F1G)	89P8317	*
Italian 141 (models CTO-G 11G 22G 23G 33G 34G 43G 53G 71G 72G 61G B1G D1G E1G F1G)	89P8318	*
Italian 142 (models CTO-G 11G 22G 23G 33G 34G 43G 53G 71G 72G 61G B1G D1G E1G F1G)	89P8319	*
LA Spanish (models CTO-L)	89P8322	*
Norwegian (models CTO-G 11G 22G 23G 33G 34G 43G 53G 71G 72G 61G B1G D1G E1G F1G)	89P8323	*
Polish (models CTO-G 11G 22G 23G 33G 34G 43G 53G 71G 72G 61G B1G D1G E1G F1G)	89P8324	*
Portuguese (models CTO-G 11G 22G 23G 33G 34G 43G 53G 71G 72G 61G B1G D1G E1G F1G)	89P8325	*
Romanian (models CTO-G 11G 22G 23G 33G 34G 43G 53G 71G 72G 61G B1G D1G E1G F1G)	89P8326	*
Russian (models CTO-G 11G 22G 23G 33G 34G 43G 53G 71G 72G 61G B1G D1G E1G F1G)	89P8327	*
Russian/Cyrillic (models CTO-G 11G 22G 23G 33G 34G 43G 53G 71G 72G 61G B1G D1G E1G F1G)	89P8328	*
Serbian/Cyrillic (models CTO-G 11G 22G 23G 33G 34G 43G 53G 71G 72G 61G B1G D1G E1G F1G)	89P8329	*
Slovak (models CTO-G 11G 22G 23G 33G 34G 43G 53G 71G 72G 61G B1G D1G E1G F1G)	89P8330	*
Spanish (models CTO-G 11G 22G 23G 33G 34G 43G 53G 71G 72G 61G B1G D1G E1G F1G)	89P8331	*
Swedish/Finn (models CTO-G 11G 22G 23G 33G 34G 43G 53G 71G 72G 61G B1G D1G E1G F1G)	89P8332	*
Swiss F/G (models CTO-G 11G 22G 23G 33G 34G 43G 53G 71G 72G 61G B1G D1G E1G F1G)	89P8333	*
Thailand (models CTO-A)	89P8334	*
Turkish 440 (models CTO-G 11G 22G 23G 33G 34G 43G 53G 71G 72G 61G B1G D1G E1G F1G)	89P8335	*
Turkish 179 (models CTO-G 11G 22G 23G 33G 34G 43G 53G 71G 72G 61G B1G D1G E1G F1G)	89P8336	*
UK English (models CTO-G 11G 22G 23G 33G 34G 43G 53G 71G 72G 61G B1G D1G E1G F1G)	89P8337	*
US Euro (models CTO-G 11G 22G 23G 33G 34G 43G 53G 71G 72G 61G B1G D1G E1G F1G)	89P8338	*
Yugoslav/Latin (models CTO-G 11G 22G 23G 33G 34G 43G 53G 71G 72G 61G B1G D1G E1G F1G)	89P8339	*
Brazil/Portugese (models 21P 32P 42P 52P CTO-L)	89P8304	*

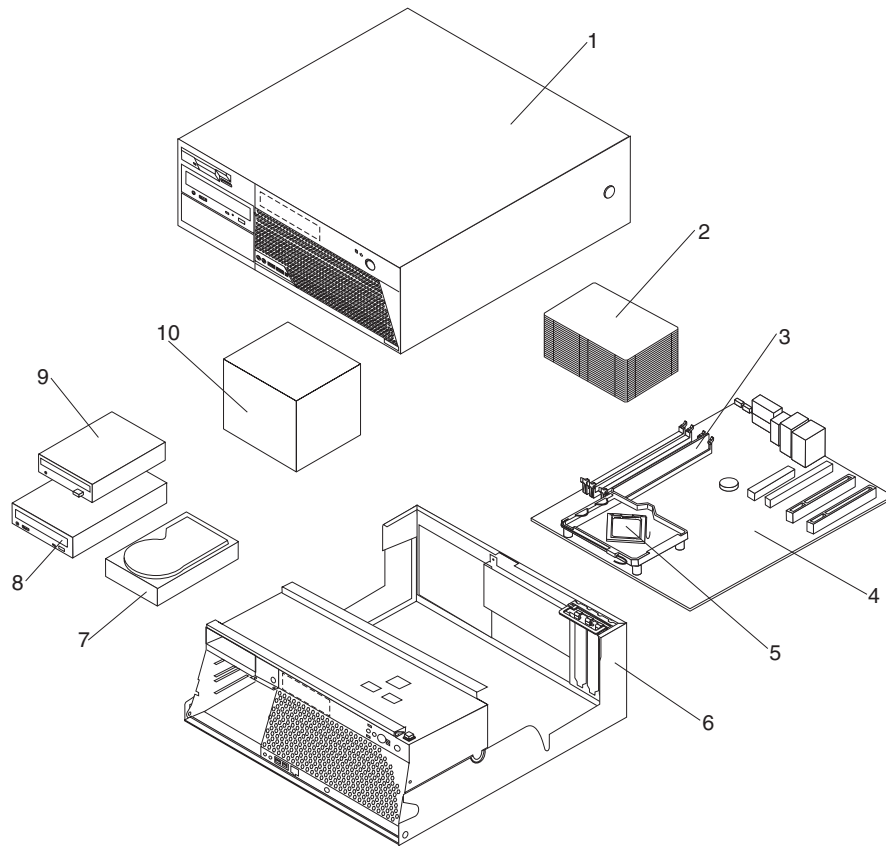
8420 Power Cords	FRU#	CRU
Power cord (models 21P 31A 32P CTO-U 32U 11G 22G 23G 33G 34G 42P 43G 52P 53G 31V 71G 72G 24U 35U 61G C1U C2U B1G D1G E1G F1G)	6952301	*

8420 Power Cords	FRU#	CRU
Power cord (EMEA, ANZ, ASEAN Eng, Korea) (models CTO-G 11G 22G 23G 33G 34G 43G 53G 71G 72G 61G B1G D1G E1G F1G)	13F9978	*
Power cord (EMEA, ANZ, ASEAN Eng, HK Eng) (models CTO-G 11G 22G 23G 33G 34G 43G 53G 71G 72G 61G B1G D1G E1G F1G)	14F0032	*
Power cord (EMEA) (models CTO-G 11G 22G 23G 33G 34G 43G 53G 71G 72G 61G B1G D1G E1G F1G)	13F9996	*
Power cord (EMEA, LA) (models 21P 32P CTO-G 11G 22G 23G 33G 34G 42P 43G 52P 53G 71G 72G 61G B1G D1G E1G F1G)	14F0068	*
Power cord (China, HK) (models 31C 31B 31H)	02K0545	*
Power cord (EMEA) (models CTO-G 11G 22G 23G 33G 34G 43G 53G 71G 72G 61G B1G D1G E1G F1G)	14F0086	*
Power cord (EMEA, ANZ, ASEAN Eng) (models CTO-G 11G 22G 23G 33G 34G 43G 53G 71G 72G 61G B1G D1G E1G F1G)	14F0014	*
Power cord (EMEA) (models CTO-G 11G 22G 23G 33G 34G 43G 53G 71G 72G 61G B1G D1G E1G F1G)	14F0050	*
Power cord (INDIA) (models 31Q)	49P2078	*

8420 Windows XP Pro Recovery CDs	FRU #	CRU
US (models 11G 22G 23G 31Q 33G 34G 43G 53G 31A 31C 31B 31H 31V 31H 24U 35U)	39J6597	*
FR (models 11G 22G 23G 33G 34G 43G 53G 71G 72G 61G B1G D1G E1G F1G)	39J6598	*
GR (models 11G 22G 23G 33G 34G 43G 53G 71G 72G 61G B1G D1G E1G F1G)	39J6599	*
IT (models 11G 22G 23G 33G 34G 43G 53G 71G 72G 61G B1G D1G E1G F1G)	39J6601	*
SP (models 11G 22G 23G 33G 34G 43G 53G 71G 72G 61G B1G D1G E1G F1G)	39J6600	*
BR (models 21P 32P 42P 52P)	39J6602	*
DK (models 11G 22G 23G 33G 34G 43G 53G 71G 72G 61G B1G D1G E1G F1G)	39J6604	*
NL (models 11G 22G 23G 33G 34G 43G 53G 71G 72G 61G B1G D1G E1G F1G)	39J6607	*
AE (models 11G 22G 23G 33G 34G 43G 53G 71G 72G 61G B1G D1G E1G F1G)	39J6611	*
SV (models 11G 22G 23G 33G 34G 43G 53G 71G 72G 61G B1G D1G E1G F1G)	39J6603	*
HE (models 11G 22G 23G 33G 34G 43G 53G 71G 72G 61G B1G D1G E1G F1G)	39J6608	*
FI (models 11G 22G 23G 33G 34G 43G 53G 71G 72G 61G B1G D1G E1G F1G)	39J6605	*
NO (models 11G 22G 23G 33G 34G 43G 53G 71G 72G 61G B1G D1G E1G F1G)	39J6606	*
PL (models 11G 22G 23G 33G 34G 43G 53G 71G 72G 61G B1G D1G E1G F1G)	39J6609	*
PO (models 11G 22G 23G 33G 34G 43G 53G 71G 72G 61G B1G D1G E1G F1G)	39J6615	*
RU (models 11G 22G 23G 33G 34G 43G 53G 71G 72G 61G B1G D1G E1G F1G)	41D1198	*
RE (models 11G 22G 23G 33G 34G 43G 53G 71G 72G 61G B1G D1G E1G F1G)	41D1223	*
HU (models 11G 22G 23G 33G 34G 43G 53G 71G 72G 61G B1G D1G E1G F1G)	39J6614	*
CZ (models 11G 22G 23G 33G 34G 43G 53G 71G 72G 61G B1G D1G E1G F1G)	39J6610	*
TR (models 11G 22G 23G 33G 34G 43G 53G 71G 72G 61G B1G D1G E1G F1G)	39J6613	*
GK (models 11G 22G 23G 33G 34G 43G 53G 71G 72G 61G B1G D1G E1G F1G)	39J6616	*
SL (models 11G 22G 23G 33G 34G 43G 53G 71G 72G 61G B1G D1G E1G F1G)	39J6617	*
CS (models 31C)	30R4741	*
TW (models 31V)	30R4748	*
HK (models 31B)	30R4755	*

8420 Windows XP Pro Recovery CDs	FRU #	CRU
Multilingual 1 (models 11G 22G 23G 33G 34G 43G 53G 71G 72G 61G B1G D1G E1G F1G)	39J6215	*
Multilingual 2 (models 11G 22G 23G 33G 34G 43G 53G 71G 72G 61G B1G D1G E1G F1G)	39J6216	*

## Machine Type 8421



Item #	8421 FRUs	FRU#	CRU
1	Top Cover Asm (all models)	89P6730	*
2	Heat sink (models 21G 71G 72G 11V B1G 75G D1G 76G E1G F1G 73G 74G)	89P6729	**
3	256MB PC2 3200 Memory (400mhz DDR2) (models 21G 71G 72G 11V B1G D1G E1G F1G 73G 74G 75G 76G CTO)	73P3220	*
3	512MB PC2 3200 Memory (400mhz DDR2) (models CTO)	73P3222	*
3	1024MB PC2 3200 Memory (400mhz DDR2) (models CTO)	73P3224	*
4	System board 10/1000 w/ POV (models 21G 71G 72G 11V B1G D1G E1G F1G 73G 74G 75G 76G CTO)	29R8261	**
5	2.53 GHZ Celeron Prescott P4 (models CTO)	29R7215	**
5	2.66 GHZ Celeron Prescott P4 (models CTO)	29R7217	**
5	2.8 GHZ Celeron Prescott P4 (models CTO)	29R7219	**
5	2.93 GHZ Celeron Prescott P4 (models CTO)	29R7221	**
5	3.06GHZ Celeron Prescott P4 (models CTO)	29R8208	**
5	2.53GHZ Celeron Prescott P4 326 (models CTO)	39J9397	**
5	2.66 GHZ Celeron Prescott P4 331 (models CTO)	39J9399	**
5	2.8 GHZ Celeron Prescott P4 336 (models CTO)	39J9401	**
5	2.93 GHZ Celeron Prescott P4 341 (models CTO)	39J9403	**
5	3.06 GHZ Celeron Prescott P4 346 (models CTO)	39J9405	**
5	3.2 GHZ Celeron Prescott P4 351 (models CTO)	41D0533	**

Item #	8421 FRUs	FRU#	CRU
5	2.66 GHZ Prescott P4 (models CTO)	29R7223	**
5	2.93GHZ Prescott P4 (models CTO 11V)	29R7225	**
5	2.66GHZ Celeron Prescott P4 346 (models CTO)	41D0676	**
5	2.93GHZ Celeron Prescott P4 351 (models CTO)	41D0677	**
5	3.06GHZ Celeron Prescott P4 (models CTO)	41D0678	**
5	2.8GHZ Prescott P4 (models CTO)	19R0495	**
5	3.0GHZ Prescott P4 (models 21G 71G CTO 73G)	19R0496	**
5	3.2GHZ Prescott P4 (models 72G CTO 74G)	19R0497	**
5	3.4GHZ Prescott P4 (models CTO)	19R0498	**
5	3.4GHZ Prescott P4 (low-power) (models CTO)	19R3011	**
5	3.6GHZ Prescott P4 (models CTO)	19R0499	**
5	3.8GHZ Prescott P4 (models CTO)	29R8211	**
5	2.8GHZ Prescott P4 531 (models CTO)	39J9407	**
5	3.0GHZ Prescott P4 531 (models CTO)	39J9409	**
5	3.2GHZ Prescott P4 541 (models CTO)	39J9411	**
5	3.4GHZ Prescott P4 551 (models CTO)	39J9413	**
5	3.6GHZ Prescott P4 561 (models CTO)	41D0535	**
5	3.8GHZ Prescott P4 571 (models CTO)	41D0537	**
5	3.0GHZ Prescott P4 (models CTO B1G 75G)	39J6589	**
5	3.2GHZ Prescott P4 (models CTO D1G 76G)	39J6591	**
5	3.4GHZ Prescott P4 (models CTO E1G)	39J6593	**
5	3.6GHZ Prescott P4 (models CTO F1G)	39J6595	**
5	3.8GHZ Prescott P4 670 (models CTO)	41D0539	**
6	Chassis and top cover kit (all models)	89P6732	**
7	HDD 40GB 7200 rpm Serial ATA (models 11V CTO)	71P7312	*
7	HDD 40GB 7200 rpm Serial ATA (models 11V CTO)	40Y8760	*
7	HDD 40GB 7200 rpm Serial ATA (models 11V CTO)	40Y9033	*
7	HDD 80GB 7200 rpm Serial ATA (models 21G 71G 72G B1G D1G E1G F1G 73G 74G 75G 76G CTO)	71P7293	*
7	HDD 80GB 7200 rpm Serial ATA (models 21G 71G 72G B1G D1G E1G F1G 73G 74G 75G 76G CTO)	40Y8761	*
7	HDD 80GB 7200 rpm Serial ATA (models 21G 71G 72G B1G D1G E1G F1G 73G 74G 75G 76G CTO)	40Y9034	*
7	HDD 160GB 7200 rpm Serial ATA (models CTO)	71P7297	*
7	HDD 160GB 7200 rpm Serial ATA (models CTO)	40Y8762	*
7	HDD 160GB 7200 rpm Serial ATA (models CTO)	40Y9035	*
8	CD-ROM Drive 48X - Black w/o jack & vol (models CTO 11V)	71P7371	*
8	CD-ROM Drive 48X - Black w/o jack & vol (models CTO 11V)	71P7375	*
8	CD-ROM Drive 48X - Black w/o jack & vol (models CTO 11V)	71P7377	*
8	CD-ROM Drive 48X - Black w/o jack & vol (models CTO 11V)	71P7385	*
8	CD-ROM Drive 48X - Black w/o jack & vol (models CTO 11V)	39M3511	*
8	CD-ROM Drive 48X - Black w/o jack & vol (models CTO 11V)	26K5445	*

Item #	8421 FRUs	FRU#	CRU
8	CD-ROM Drive 48X - Black w/o jack & vol (models CTO 11V)	40Y8807	*
8	DVD-ROM 16X/48X - Black (models CTO 21G 71G 72G B1G D1G E1G F1G 73G 75G)	33P3237	*
8	DVD-ROM 16X/48X - Black (models CTO 21G 71G 72G B1G D1G E1G F1G 73G 75G)	71P7357	*
8	DVD-ROM 16X/48X - Black (models CTO 21G 71G 72G B1G D1G E1G F1G 73G 75G)	26K5385	*
8	DVD-ROM 16X/48X - Black (models CTO 21G 71G 72G B1G D1G E1G F1G 73G 75G)	26K5435	*
8	DVD-ROM 16X/48X - Black (models CTO 21G 71G 72G B1G D1G E1G F1G 73G 75G)	39M3513	*
8	DVD-ROM 16X/48X - Black (models CTO 21G 71G 72G B1G D1G E1G F1G 73G 75G)	39M3515	*
8	DVD-ROM 16X/48X - Black (models CTO 21G 71G 72G B1G D1G E1G F1G 73G 75G)	39M3517	*
8	DVD-ROM 16X/48X - Black (models CTO 21G 71G 72G B1G D1G E1G F1G 73G 75G)	40Y8935	*
8	DVD-ROM 16X/48X - Black (models CTO 21G 71G 72G B1G D1G E1G F1G 73G 75G)	40Y8933	*
8	CD-RW Drive (48X/32X/48X) (models CTO)	71P7347	*
8	CD-RW Drive (48X/32X/48X) (models CTO)	71P7349	*
8	CD-RW Drive (48X/32X/48X) (models CTO)	26K5401	*
8	CD-RW Drive (48X/32X/48X) (models CTO)	40Y8901	*
8	CD-RW Drive (48X/32X/48X) (models CTO)	40Y8937	*
8	DVD-ROM/CD-RW Combo Drive (48x/32x/48x/16x) (models CTO 74G 76G)	26K5379	*
8	DVD-ROM/CD-RW Combo Drive (48x/32x/48x/16x) (models CTO 74G 76G)	26K5381	*
8	DVD-ROM/CD-RW Combo Drive (48x/32x/48x/16x) (models CTO 74G 76G)	26K5429	*
8	DVD-ROM/CD-RW Combo Drive (48x/32x/48x/16x) (models CTO 74G 76G)	39M3539	*
8	DVD-ROM/CD-RW Combo Drive (48x/32x/48x/16x) (models CTO 74G 76G)	40Y8781	*
8	DVD-ROM/CD-RW Combo Drive (48x/32x/48x/16x) (models CTO 74G 76G)	40Y8903	*
8	DVD-ROM/CD-RW Combo Drive (48x/32x/48x/16x) (models CTO 74G 76G)	40Y8919	*
8	Universal Combo Drive (48x/24x/48x/16x) (models CTO 74G 76G)	26K5390	*
8	Multi-Burner Plus (Rambo IV) (models CTO)	26K5383	*
8	Universal Rambo drive (Black) (models CTO)	26K5377	*
8	Multi-Burner Plus (Rambo VI) (models CTO)	26K5441	*
8	Multi-Burner Plus (Rambo VI) (models CTO)	39M3519	*
8	Multi-Burner Plus (Rambo VI) (models CTO)	40Y8799	*
8	Multi-Burner Plus (Rambo VI) (models CTO)	40Y8909	*
9	3.5" 1.44MB 2MODE Diskette drive (wo/Bezel) (models 21G 71G 72G 11V B1G D1G E1G F1G 73G 74G 75G 76G CTO)	76H4091	*
9	3.5" 1.44MB 2MODE Diskette drive (w/Bezel) (models 21G 71G 72G 11V B1G D1G E1G F1G 73G 74G 75G 76G CTO)	40Y9107	*
9	3.5" 1.44MB 2MODE Diskette drive (w/Bezel) (models 21G 71G 72G 11V B1G D1G E1G F1G 73G 74G 75G 76G CTO)	24P3889	*



Item #	8421 FRUs	FRU#	CRU
9	3.5" 1.44MB 2MODE Diskette drive (w/Bezel) (models 21G 71G 72G 11V B1G D1G E1G F1G 73G 74G 75G 76G CTO)	40Y9105	*
9	3.5" 1.44MB 2MODE Diskette drive (w/Bezel) (models 21G 71G 72G 11V B1G D1G E1G F1G 73G 74G 75G 76G CTO)	39M0101	*
9	3.5" 1.44MB 2MODE Diskette drive (w/Bezel) (models 21G 71G 72G 11V B1G D1G E1G F1G 73G 74G 75G 76G CTO)	40Y9113	*
10	Power Supply 310 Watt (models 21G 71G 72G B1G D1G E1G F1G 73G 74G 75G 76G CTO)	24R2574	**
10	Power Supply (310 Watt/China Ver.) (models 11V CTO-A CTO-L)	24R2578	**

The FRUs listed in the following table are not illustrated.

8421 FRUs	FRU#	CRU
HDD Mounting Brkt Asm (all models)	88P5916	*
Speaker Asm, internal (all models)	00N5151	*
Speaker Cable Asm (RoHS Compliant) (all models)	39M0614	*
C2 Cable Asm (all models)	09K9827	*
Cable, Second Serial Port (all models)	49P4530	*
RM - Tomahawk (all models)	89P6725	*
Device Retaining Clips (all models)	13N2449	*
Fan and Duct Asm (all models)	39K5014	*
System board shield (all models)	89P6727	*
Cable, SATA (all models)	89P6728	*
Bezel Kit (all models)	89P6731	*
Cable and Front USB/Audio Card (all models)	89P6733	*
Cable, 2-drop IDE (all models)	89P6734	*
Cable, Diskette drive (all models)	89P6735	*
Shield, 5.25 Blank EMC (all models)	19K5548	*
Shield, Blank Diskette drive (all models)	89P6736	*
Miscellaneous Hardware kit (all models)	89P6737	*
Cable, 1394 Front (all models)	89P6738	*
Cable, Power/LED (all models)	89P6739	*
Battery, 3.0V (all models)	33F8354	*
Universal Adapter Bracket 5.25 to 3.5-inch	32P4743	*
Mouse, PS/2 - 2-button (Black) (models CTO)	24P0383	*
Mouse, PS/2 - 3-Button (Ball) Wheel (models CTO)	24P0491	*
Mouse, Optical Wheelmouse, USB 400 DPI (models 21G 71G 72G 11V B1G D1G E1G F1G 73G 74G 75G 76G CTO)	89P5089	*
PCI Modem Card (Soft), ATX V.90 (models 11V)	22P7943	*
PCI-E DVI-D Connection Adapter (models CTO)	19R2374	*
Speakers, Jazz Infinity Active T1 (Black) (models 11V)	25P4726	*
Speaker Power brick - US, CE, CF, LA, Taiwan (models 11V)	10K2587	*
PCI-E DVI-D Connection Adapter (models CTO-U CTO-G)	19R2374	*

8421 FRUs	FRU#	CRU
RJ11 Connector adapter (Spain, Ireland) (all 'G' models)	60H6043	*
RJ11 Connector adapter (Austria) (all 'G' models)	60H6045	*
RJ11 Connector adapter (Belgium) (all 'G' models)	60H6046	*
RJ11 Connector adapter (Denmark) (all 'G' models)	60H6047	*
RJ11 Connector adapter (Norway/Finland) (all 'G' models)	60H6048	*
RJ11 Connector adapter (France) (all 'G' models)	60H6049	*
RJ11 Connector adapter (Germany) (all 'G' models)	60H6050	*
RJ11 Connector adapter (UK,NZ, HK) (all 'G' models)	60H6051	*
RJ11 Connector adapter (Italy) (all 'G' models)	60H6052	*
RJ11 Connector adapter (Netherlands) (all 'G' models)	60H6053	*
RJ11 Connector adapter (Sweden) (all 'G' models)	60H6054	*
RJ11 Connector adapter (Switzerland) (all 'G' models)	60H6055	*

8421 Keyboards (Productivity USB)	FRU#	CRU
Chinese/US (models 11V CTO-A)	89P8807	*

8421 Keyboards (Preferred Pro Fullsize)	FRU#	CRU
US English (models 21G 71G 72G B1G D1G E1G F1G 73G 74G 75G 76G CTO)	89P8300	*
Arabic (models 21G 71G 72G B1G D1G E1G F1G 73G 74G 75G 76G CTO-G)	89P8301	*
Belgian/French (models 21G 71G 72G B1G D1G E1G F1G 73G 74G 75G 76G CTO-G)	89P8302	*
Belgian/UK (models 21G 71G 72G B1G D1G E1G F1G 73G 74G 75G 76G CTO-G)	89P8303	*
Bulgarian (models 21G 71G 72G B1G D1G E1G F1G 73G 74G 75G 76G CTO-G)	89P8305	*
Czech (models 21G 71G 72G B1G D1G E1G F1G 73G 74G 75G 76G CTO-G)	89P8307	*
Danish (models 21G 71G 72G B1G D1G E1G F1G 73G 74G 75G 76G CTO-G)	89P8308	*
Dutch (models 21G 71G 72G B1G D1G E1G F1G 73G 74G 75G 76G CTO-G)	89P8309	*
French (model)	89P8310	*
German (models 21G 71G 72G B1G D1G E1G F1G 73G 74G 75G 76G CTO-G)	89P8313	*
Greek (models 21G 71G 72G B1G D1G E1G F1G 73G 74G 75G 76G CTO-G)	89P8314	*
Hebrew (models 21G 71G 72G B1G D1G E1G F1G 73G 74G 75G 76G CTO-G)	89P8315	*
Hungarian (models 21G 71G 72G B1G D1G E1G F1G 73G 74G 75G 76G CTO-G)	89P8316	*
Iceland (models 21G 71G 72G B1G D1G E1G F1G 73G 74G 75G 76G CTO-G)	89P8317	*
Italian 141 (models 21G 71G 72G B1G D1G E1G F1G 73G 74G 75G 76G CTO-G)	89P8318	*
Italian 142 (models 21G 71G 72G B1G D1G E1G F1G 73G 74G 75G 76G CTO-G)	89P8319	*
Norwegian (models 21G 71G 72G B1G D1G E1G F1G 73G 74G 75G 76G CTO-G)	89P8323	*
Polish (models 21G 71G 72G B1G D1G E1G F1G 73G 74G 75G 76G CTO-G)	89P8324	*
Portuguese (models 21G 71G 72G B1G D1G E1G F1G 73G 74G 75G 76G CTO-G)	89P8325	*
Romanian (models 21G 71G 72G B1G D1G E1G F1G 73G 74G 75G 76G CTO-G)	89P8326	*
Russian (models 21G 71G 72G B1G D1G E1G F1G 73G 74G 75G 76G CTO-G)	89P8327	*
Russian/Cyrillic (models 21G 71G 72G B1G D1G E1G F1G 73G 74G 75G 76G CTO-G)	89P8328	*
Serbian/Cyrillic (models 21G 71G 72G B1G D1G E1G F1G 73G 74G 75G 76G CTO-G)	89P8329	*
Slovak (models 21G 71G 72G B1G D1G E1G F1G 73G 74G 75G 76G CTO-G)	89P8330	*

<b>8421 Keyboards (Preferred Pro Fullsize)</b>	<b>FRU#</b>	<b>CRU</b>
Spanish (models 21G 71G 72G B1G D1G E1G F1G 73G 74G 75G 76G CTO-G)	89P8331	*
Swedish/Finn (models 21G 71G 72G B1G D1G E1G F1G 73G 74G 75G 76G CTO-G)	89P8332	*
Swiss F/G (models 21G 71G 72G B1G D1G E1G F1G 73G 74G 75G 76G CTO-G)	89P8333	*
Turkish 440 (models 21G 71G 72G B1G D1G E1G F1G 73G 74G 75G 76G CTO-G)	89P8335	*
Turkish 179 (models 21G 71G 72G B1G D1G E1G F1G 73G 74G 75G 76G CTO-G)	89P8336	*
UK English (models 21G 71G 72G B1G D1G E1G F1G 73G 74G 75G 76G CTO-G)	89P8337	*
US Euro (models 21G 71G 72G B1G D1G E1G F1G 73G 74G 75G 76G CTO-G)	89P8338	*
Yugoslav/Latin (models 21G 71G 72G B1G D1G E1G F1G 73G 74G 75G 76G CTO-G)	89P8339	*

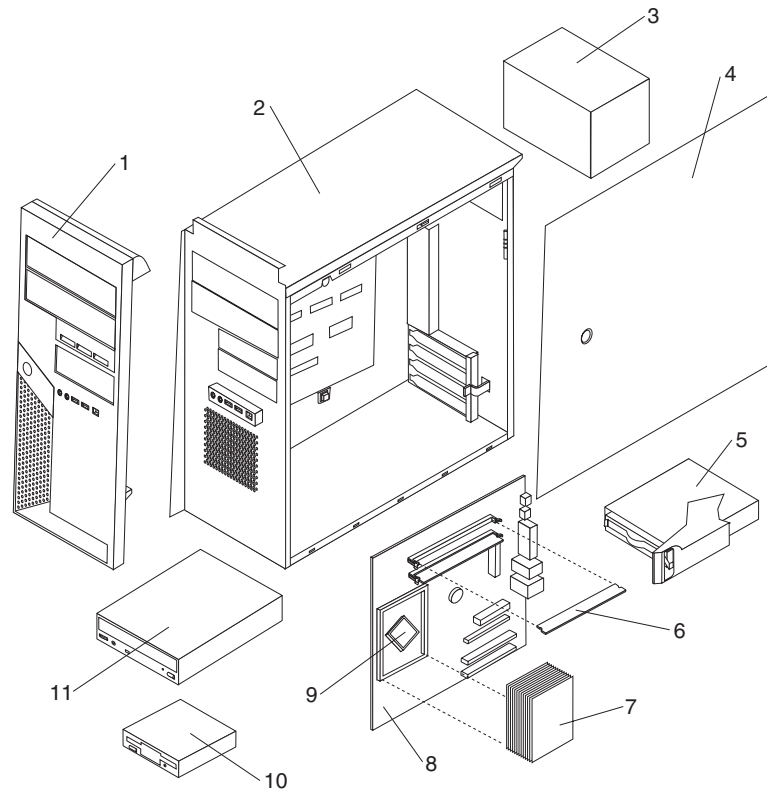
<b>8421 Power Cords</b>	<b>FRU#</b>	<b>CRU</b>
Power cord (models 21G 71G 72G 11V B1G D1G E1G F1G 73G 74G 75G 76G)	6952301	*
Power cord (EMEA, ANZ, ASEAN Eng, Korea) (models 21G 71G 72G B1G D1G E1G F1G 73G 74G 75G 76G)	13F9978	*
Power cord (EMEA, ANZ, ASEAN Eng, HK Eng) (models 21G 71G 72G B1G D1G E1G F1G 73G 74G 75G 76G)	14F0032	*
Power cord (EMEA) (models 21G 71G 72G B1G D1G E1G F1G 73G 74G 75G 76G)	13F9996	*
Power cord (EMEA, LA) (models 21G 71G 72G B1G D1G E1G F1G 73G 74G 75G 76G)	14F0068	*
Power cord (China, HK) (models 21G 71G 72G B1G D1G E1G F1G 73G 74G 75G 76G)	02K0545	*
Power cord (EMEA) (models 21G 71G 72G B1G D1G E1G F1G 73G 74G 75G 76G)	14F0086	*
Power cord (EMEA, ANZ, ASEAN Eng) (models 21G 71G 72G B1G D1G E1G F1G 73G 74G 75G 76G)	14F0014	*
Power cord (EMEA) (models 21G 71G 72G B1G D1G E1G F1G 73G 74G 75G 76G)	14F0050	*

<b>8421 Windows XP Home Recovery CDs</b>	<b>FRU #</b>	<b>CRU</b>
Taiwan-TC (models 11V)	30R4712	*

<b>8421 Windows XP Pro Recovery CDs</b>	<b>FRU #</b>	<b>CRU</b>
US (models 21G 71G 72G)	39J6597	*
FR (models 21G 71G 72G B1G D1G E1G F1G 73G 74G 75G 76G)	39J6598	*
GR (models 21G 71G 72G B1G D1G E1G F1G 73G 74G 75G 76G)	39J6599	*
IT (models 21G 71G 72G B1G D1G E1G F1G 73G 74G 75G 76G)	39J6601	*
SP (models 21G 71G 72G B1G D1G E1G F1G 73G 74G 75G 76G)	39J6600	*
DK (models 21G 71G 72G B1G D1G E1G F1G 73G 74G 75G 76G)	39J6604	*
NL (models 21G 71G 72G B1G D1G E1G F1G 73G 74G 75G 76G)	39J6607	*
AE (models 21G 71G 72G B1G D1G E1G F1G 73G 74G 75G 76G)	39J6611	*
SV (models 21G 71G 72G B1G D1G E1G F1G 73G 74G 75G 76G)	39J6603	*
HE (models 21G 71G 72G B1G D1G E1G F1G 73G 74G 75G 76G)	39J6608	*
FI (models 21G 71G 72G B1G D1G E1G F1G 73G 74G 75G 76G)	39J6605	*
NO (models 21G 71G 72G B1G D1G E1G F1G 73G 74G 75G 76G)	39J6606	*
PL (models 21G 71G 72G B1G D1G E1G F1G 73G 74G 75G 76G)	39J6609	*
PO (models 21G 71G 72G B1G D1G E1G F1G 73G 74G 75G 76G)	39J6615	*
RU (models 21G 71G 72G B1G D1G E1G F1G 73G 74G 75G 76G)	41D1198	*

<b>8421 Windows XP Pro Recovery CDs</b>	<b>FRU #</b>	<b>CRU</b>
RE (models 21G 71G 72G B1G D1G E1G F1G 73G 74G 75G 76G)	41D1223	*
HU (models 21G 71G 72G B1G D1G E1G F1G 73G 74G 75G 76G)	39J6614	*
CZ (models 21G 71G 72G B1G D1G E1G F1G 73G 74G 75G 76G)	39J6610	*
TR (models 21G 71G 72G B1G D1G E1G F1G 73G 74G 75G 76G)	39J6613	*
GK (models 21G 71G 72G B1G D1G E1G F1G 73G 74G 75G 76G)	39J6616	*
SL (models 21G 71G 72G B1G D1G E1G F1G 73G 74G 75G 76G)	39J6617	*
Multilingual 1 (models 21G 71G 72G B1G D1G E1G F1G 73G 74G 75G 76G)	39J6215	*
Multilingual 2 (models 21G 71G 72G B1G D1G E1G F1G 73G 74G 75G 76G)	39J6216	*

# Machine Type 8422



Item #	8422 FRUs	FRU#	CRU
1	Bezel (all models)	26K1116	*
2	Chassis Asm (subd from 26K1113) (all models)	26K1160	**
3	Power Supply 310 Watt (models CTO 12M 14U 15G 21A 21T 22U 22G 24U 25M 27M 29G 2AG 2BG 2CG 2DG 32A 32T 33U 35U 35G 36G 37G 38G 39G 3AG 3BG 43U 44G 45G 46G 47G 48G 49G 52U 53G 54G CBU CCU CDU CEU CGU 55U 15U 33M 71G 72G 73G 74G 75G 76G 16A 16T 3CM 61G 62G 63U 64A 64T 77G CHU B1G D1G E1G F1G B2K G1M G2M G3M)	24R2574	**
3	Power Supply 310 Watt (China) (models 11Q 21Q 23B 23H 26C 28V 31B 31H 34C 42B 42H 16Q 64Q D2C E2C F2C CTO-A CTO-L)	24R2578	**
4	Cover Asm (all models)	26K1115	**
5	HDD 40GB 7200 rpm Serial ATA (models CTO 11Q 15G 21A 21Q 21T 22U 22G 32A 32T 35U 35G 43U 52U 15U 71G 74G 63U 77G)	71P7312	*
5	HDD 40GB 7200 rpm Serial ATA (models CTO 11Q 15G 21A 21Q 21T 22U 22G 32A 32T 35U 35G 43U 52U 15U 71G 74G 63U 77G)	40Y8760	*
5	HDD 40GB 7200 rpm Serial ATA (models CTO 11Q 15G 21A 21Q 21T 22U 22G 32A 32T 35U 35G 43U 52U 15U 71G 74G 63U 77G)	40Y9033	*
5	HDD 80GB 7200 rpm Serial ATA (models CTO 12M 14U 23B 23H 24U 25M 27M 28V 2AG 2BG 31B 33U 36G 37G 39G 42B 42H 45G 47G 53G 72G 75G 16A 16Q 16T 62G 64A 64Q 64T B1G D1G E1G F1G B2K G1M G2M)	71P7293	*
5	HDD 80GB 7200 rpm Serial ATA (models CTO 12M 14U 23B 23H 24U 25M 27M 28V 2AG 2BG 31B 33U 36G 37G 39G 42B 42H 45G 47G 53G 72G 75G 16A 16Q 16T 62G 64A 64Q 64T B1G D1G E1G F1G B2K G1M G2M)	40Y8761	*

Item #	8422 FRUs	FRU#	CRU
5	HDD 80GB 7200 rpm Serial ATA (models CTO 12M 14U 23B 23H 24U 25M 27M 28V 2AG 2BG 31B 33U 36G 37G 39G 42B 42H 45G 47G 53G 72G 75G 16A 16Q 16T 62G 64A 64Q 64T B1G D1G E1G F1G B2K G1M G2M)	40Y9034	*
5	HDD 160GB 7200 rpm Serial ATA (models CTO 26C 29G 2CG 2DG 33M 34C 38G 3AG 3BG 44G 46G 48G 49G 54G 55U 33M 73G 76G 3CM 61G D2C E2C F2C)	71P7297	*
5	HDD 160GB 7200 rpm Serial ATA (models CTO 26C 29G 2CG 2DG 33M 34C 38G 3AG 3BG 44G 46G 48G 49G 54G 55U 33M 73G 76G 3CM 61G D2C E2C F2C G3M)	40Y8762	*
5	HDD 160GB 7200 rpm Serial ATA (models CTO 26C 29G 2CG 2DG 33M 34C 38G 3AG 3BG 44G 46G 48G 49G 54G 55U 33M 73G 76G 3CM 61G D2C E2C F2C G3M)	40Y9035	*
6	256MB PC2 3200 Memory (400mhz DDR2) (models CTO 11Q 14U 15G 21A 21Q 21T 22U 22G 23B 23H 24U 26C 29G 2AG 2BG 2CG 2DG 31B 31H 34C 35U 35G 36G 37G 38G 39G 3AG 42B 42H 43U 44G 45G 46G 47G 48G 49G 53G 54G 15U 71G 72G 73G 74G 75G 76G 16A 16Q 16T 61G 62G 63U 64A 64Q 64T 77G B1G D1G E1G F1G D2C E2C F2C)	73P3220	*
6	512MB PC2 3200 Memory (400mhz DDR2) (models CTO 12M 25M 27M 28V 32A 32T 33U 3BG 52U 55U 33M 3CM B2K G1M G2M G3M)	73P3222	*
6	1024MB PC2 3200 Memory (400mhz DDR2) (models CTO)	73P3224	*
7	Heat sink (models CTO 11Q 12M 14U 15G CBU 21A 21Q 21T 22U 22G 23B 23H 24U 25M 26C 27M 28V 29G 2AG 2BG 2CG 2DG CCU 31B 31H 32A 32T 33U 34C 35U 35G 37G 38G 39G 3AG 3BG CDU 42B 42H 43U 44G 45G 46G 47G 48G 49G CEU 52U 53G 54G CGU 55U 15U 33M 71G 72G 73G 74G 75G 76G 16A 16Q 16T 77G 3CM 61G 62G 63U 64A 64Q 64T CHU B1G D1G F1G B2K D2C E2C F2C G1M G2M G3M)	89P6729	**
8	System board 10/1000 w/ POV (models CTO 33U 11Q 12M 14U 15G 21A 21Q 21T 22U 22G 23B 23H 24U 25M 26C 27M 28V 29G 2AG 2BG 2CG 2DG 31B 31H 32A 32T 34C 35U 35G 36G 37G 38G 39G 3AG 3BG 42B 42H 43U 44G 45G 46G 47G 48G 49G 52U 53G 54G CBU CCU CDU CEU CGU 55U 15U 33M 71G 72G 73G 74G 75G 76G 16A 16Q 16T 3CM 61G 62G 63U 64A 64Q 64T 77G CHU B1G D1G E1G F1G B2K D2C E2C F2C G1M G2M G3M)	29R8261	**
9	2.53 GHZ Celeron Prescott P4 (models CTO)	29R7215	**
9	2.66 GHZ Celeron Prescott P4 (models CTO)	29R7217	**
9	2.8 GHZ Celeron Prescott P4 (models CTO)	29R7219	**
9	2.93 GHZ Celeron Prescott P4 (models CTO)	29R7221	**
9	3.06GHZ Celeron Prescott P4 (models CTO)	29R8208	**
9	2.53GHZ Celeron Prescott P4 326 (models CTO)	39J9397	**
9	2.66 GHZ Celeron Prescott P4 331 (models CTO)	39J9399	**
9	2.8 GHZ Celeron Prescott P4 336 (models CTO)	39J9401	**
9	2.93 GHZ Celeron Prescott P4 341 (models CTO)	39J9403	**
9	3.06 GHZ Celeron Prescott P4 346 (models CTO)	39J9405	**
9	3.2 GHZ Celeron Prescott P4 351 (models CTO)	41D0533	**
9	2.66 GHZ Prescott P4 (models CTO)	29R7223	**
9	2.93GHZ Prescott P4 (models CTO 16A 16Q 16T 77G)	29R7225	**
9	2.8GHZ Prescott P4 (models CTO)	19R0495	**
9	2.66GHZ Celeron Prescott P4 346 (models CTO)	41D0676	**
9	2.93GHZ Celeron Prescott P4 351 (models CTO)	41D0677	**
9	3.06GHZ Celeron Prescott P4 (models CTO)	41D0678	**
9	2.8GHZ Prescott P4 (models CTO 11Q 12M 14U 15G CBU 15U)	19R0495	**

Item #	8422 FRUs	FRU#	CRU
9	3.0GHZ Prescott P4 (models CTO 21A 21Q 21T 22U 22G 23B 23H 24U 25M 26C 27M 28V 29G 2AG 2BG 2CG 2DG CCU 71G 72G 73G)	19R0496	**
9	3.2GHZ Prescott P4 (models CTO 31B 31H 32A 32T 33U 34C 35U 35G 36G 37G 38G 39G 3AG 3BG CDU 33M 74G 75G 76G 3CM)	19R0497	**
9	3.4GHZ Prescott P4 (models CTO 42B 42H 43U 44G 45G 46G 47G 48G 49G CEU)	19R0498	**
9	3.4GHZ Prescott P4 (low-power) (models CTO)	19R3011	**
9	3.6GHZ Prescott P4 (models CTO 52U 53G 54G CGU 55U)	19R0499	**
9	3.8GHZ Prescott P4 (models CTO 61G 62G 63U 64A 64Q 64T CHU)	29R8211	**
9	2.8GHZ Prescott P4 531 (models CTO)	39J9407	**
9	3.0GHZ Prescott P4 531 (models CTO)	39J9409	**
9	3.2GHZ Prescott P4 541 (models CTO)	39J9411	**
9	3.4GHZ Prescott P4 551 (models CTO)	39J9413	**
9	3.6GHZ Prescott P4 561 (models CTO)	41D0535	**
9	3.8GHZ Prescott P4 571 (models CTO)	41D0537	**
9	3.0GHZ Prescott P4 (models CTO B1G B2K G1M G2M G3M)	39J6589	**
9	3.2GHZ Prescott P4 (models CTO D1G D2C)	39J6591	**
9	3.4GHZ Prescott P4 (models CTO E1G E2C)	39J6593	**
9	3.6GHZ Prescott P4 (models CTO F1G F2C)	39J6595	**
9	3.8GHZ Prescott P4 670 (models CTO)	41D0539	**
10	3.5" 1.44MB 2MODE Diskette drive wo/Bezel (models CTO 11Q 12M 14U 15G 21A 21Q 21T 22U 22G 23B 23H 24U 25M 26C 27M 28V 29G 2AG 2BG 2CG 2DG 31B 31H 32A 32T 33U 34C 35U 35G 36G 37G 38G 39G 3AG 3BG 42B 42H 43U 44G 45G 46G 47G 48G 49G 52U 53G 54G CBU CCU CDU CEU CGU 55U 15U 33M 71G 72G 73G 74G 75G 76G 16A 16Q 16T 3CM 61G 62G 63U 64A 64Q 64T 77G B1G D1G E1G F1G B2K D2C E2C F2C G1M G2M G3M)	76H4091	*
10	3.5" 1.44MB 2MODE Diskette drive (w/Bezel) (models CTO G1M G2M G3M)	40Y9107	*
10	3.5" 1.44MB 2MODE Diskette drive (w/Bezel) (models CTO G1M G2M G3M)	24P3889	*
10	3.5" 1.44MB 2MODE Diskette drive (w/Bezel) (models CTO G1M G2M G3M)	40Y9105	*
10	3.5" 1.44MB 2MODE Diskette drive (w/Bezel) (models CTO G1M G2M G3M)	39M0101	*
10	3.5" 1.44MB 2MODE Diskette drive (w/Bezel) (models CTO G1M G2M G3M)	40Y9113	*
11	CD-ROM Drive 48X - Black w/o jack & vol (models CTO 11Q 15G 21A 21Q 21T 22U 22G 23B 23H 31B 31H 35U 35G 42B 42H 43U 52U 15U 16A 16Q 16T 63U)	71P7371	*
11	CD-ROM Drive 48X - Black w/o jack & vol (models CTO 11Q 15G 21A 21Q 21T 22U 22G 23B 23H 31B 31H 35U 35G 42B 42H 43U 52U 15U 16A 16Q 16T 63U)	71P7375	*
11	CD-ROM Drive 48X - Black w/o jack & vol (models CTO 11Q 15G 21A 21Q 21T 22U 22G 23B 23H 31B 31H 35U 35G 42B 42H 43U 52U 15U 16A 16Q 16T 63U)	71P7377	*
11	CD-ROM Drive 48X - Black w/o jack & vol (models CTO 11Q 15G 21A 21Q 21T 22U 22G 23B 23H 31B 31H 35U 35G 42B 42H 43U 52U 15U 16A 16Q 16T 63U)	71P7385	*
11	CD-ROM Drive 48X - Black w/o jack & vol (models CTO)	39M3511	*
11	CD-ROM Drive 48X - Black w/o jack & vol (models CTO)	26K5445	*
11	CD-ROM Drive 48X - Black w/o jack & vol (models CTO)	40Y8807	*
11	DVD-ROM 16X/48X - Black (optional to 33P3297) (models CTO 2AG 37G 44G 45G 53G 71G 74G 62G 77G B1G D1G E1G F1G)	33P3237	*
11	DVD-ROM 16X/48X - Black (models CTO 2AG 37G 44G 45G 53G 71G 74G 62G 77G B1G D1G E1G F1G)	71P7357	*

Item #	8422 FRUs	FRU#	CRU
11	DVD-ROM 16X/48X - Black (models CTO 2AG 37G 44G 45G 53G 71G 74G 62G 77G B1G D1G E1G F1G)	26K5385	*
11	DVD-ROM 16X/48X - Black (models CTO 2AG 37G 44G 45G 53G 71G 74G 62G 77G B1G D1G E1G F1G)	26K5435	*
11	DVD-ROM 16X/48X - Black (models CTO)	39M3513	*
11	DVD-ROM 16X/48X - Black (models CTO)	39M3515	*
11	DVD-ROM 16X/48X - Black (models CTO)	39M3517	*
11	DVD-ROM 16X/48X - Black (models CTO)	40Y8935	*
11	DVD-ROM 16X/48X - Black (models CTO)	40Y8933	*
11	CD-RW Drive (48X/32X/48X) (models CTO 14U 24U 32A 32T 36G)	71P7347	*
11	CD-RW Drive (48X/32X/48X) (models CTO 14U 24U 32A 32T 36G)	71P7349	*
11	CD-RW Drive (48X/32X/48X) (models CTO)	26K5401	*
11	CD-RW Drive (48X/32X/48X) (models CTO)	40Y8901	*
11	DVD-ROM/CD-RW Combo Drive (48x/32x/48x/16x) (models CTO 12M 26C 29G 2BG 2DG 38G 39G 3BG 46G 47G 48G 25M 72G 75G 64A 64Q 64T B2K G1M)	26K5379	*
11	DVD-ROM/CD-RW Combo Drive (48x/32x/48x/16x) (models CTO 12M 26C 29G 2BG 2DG 38G 39G 3BG 46G 47G 48G 25M 72G 75G 64A 64Q 64T B2K G1M)	26K5381	*
11	DVD-ROM/CD-RW Combo Drive (48x/32x/48x/16x) (models CTO 64A 64Q 64T B2K G1M)	26K5429	*
11	DVD-ROM/CD-RW Combo Drive (48x/32x/48x/16x) (models CTO G1M)	39M3539	*
11	DVD-ROM/CD-RW Combo Drive (48x/32x/48x/16x) (models CTO G1M)	40Y8781	*
11	DVD-ROM/CD-RW Combo Drive (48x/32x/48x/16x) (models CTO G1M)	40Y8903	*
11	DVD-ROM/CD-RW Combo Drive (48x/32x/48x/16x) (models CTO G1M)	40Y8919	*
11	Universal Combo Drive (48x/24x/48x/16x) -- optional to 26K5379 and 26K5381 (models CTO 12M 26C 29G 2BG 2DG 38G 39G 3BG 46G 47G 48G 25M 72G 75G 64A 64Q 64T B2K)	26K5390	*
11	Universal Rambo drive (Black) (models CTO 27M 28V 2CG 33U 34C 3AG 44G 49G 54G 55U 33M 73G 76G 3CM 61G D2C E2C F2C)	26K5377	*
11	Multi-Burner Plus (Rambo IV (models 27M 28V 2CG 33U 34C 3AG 44G 49G 54G CTO 55U 33M 73G 76G 3CM 61G D2C E2C F2C)	26K5383	*
11	Multi-Burner Plus (Rambo VI (models CTO G2M G3M)	39M3519	*
11	Multi-Burner Plus (Rambo VI (models CTO G2M G3M)	26K5441	*
11	Multi-Burner Plus (Rambo VI) (models CTO G2M G3M)	40Y8799	*
11	Multi-Burner Plus (Rambo VI) (models CTO G2M G3M)	40Y8909	*

The FRUs listed in the following table are not illustrated.

8422 FRUs	FRU#	CRU
Speaker Asm, internal (All EXCEPT B2K D2C E2C F2C)	00N5151	*
C2 Cable Asm (All EXCEPT B1G D1G E1G F1G B2K)	09K9827	*
Shield, 5.25 Blank EMC (all models)	19K5548	*
Cable, SATA (all models)	88P5927	*
HDD Mounting Brkt Asm (all models)	88P5916	*
Cable, Second Serial Port (all models)	49P4530	*



8422 FRUs	FRU#	CRU
Shield, Blank Diskette drive (all models)	89P7700	**
Cable, Optical IDE (all models)	89P6734	*
Cable, Diskette drive (all models)	26K1128	*
Cable, Front panel USB audio (all models)	26K1129	*
Fan Duct Asm (all models)	26K1167	*
Power Switch/LED (used with chassis PN 26K1113) (all models)	26K1119	*
Power Switch/LED (used with chassis PN 26K1160) (all models)	26K1161	*
Front panel card (all models)	26K1125	*
Device Retaining Clips (all models)	13N2449	*
System board shield (all models)	89P6727	*
Miscellaneous Hardware kit (all models)	89P6737	*
Cable, 1394 Front (all models)	89P6738	*
Retention module (all models)	89P6725	*
Battery, 3.0V(all models)	33F8354	*
Universal Adapter Bracket 5.25 to 3.5-inch	32P4743	*
Mouse, PS/2 - 2-button (Black) (models CTO)	24P0383	*
Mouse, PS/2 - 3- Button (Ball) Wheel (models CTO))	24P0491	*
Mouse, Optical Wheelmouse, USB 400 DPI (models CTO 11Q 12M 14U 15G 21A 21Q 21T 22U 22G 23B 23H 24U 25M 26C 27M 28V 29G 2AG 2BG 2CG 2DG 31B 31H 32A 32T 33U 34C 35U 35G 36G 37G 38G 39G 3AG 3BG 42B 42H 43U 44G 45G 46G 47G 48G 49G 52U 53G 54G 55U 15U 33M 71G 72G 73G 74G 75G 76G 16A 16Q 16T 3CM 61G 62G 63U 64A 64Q 64T 77G B1G D1G E1G F1G B2K D2C E2C F2C G1M G2M G3M)	89P5089	*
PCI Modem Card (Soft), ATX V.90 (models CTO 26C 27M 29G 2DG 32A 32T 33U 34C 38G 3BG 44G 46G 48G 54G 33M 73G 76G 3CM 61G B2K D2C E2C F2C G1M G2M G3M)	22P7943	*
64MB PCIe Adapter Dual VGA (Iceman) (models CTO 28V 2DG 3BG 48G G2M)	19R0849	*
64MB PCIe Adapter Dual VGA, DVI-I, TV out (Ironman) (models CTO 27M)	19R0847	*
128MB PCIe Adapter Dual VGA, DVI-I, TV out (Spiderman) (models CTO 26C 29G 33M 34C 38G 44G 46G 54G 55U 73G 76G 3CM 61G D2C E2C F2C G3M)	19R1452	*
PCI-E DVI-D Connection Adapter (models CTO-U CTO-G)	19R2374	*
1394 Firewire PCI LP (ATX) (models 11Q 12M 25M 26C 27M 29G 2DG 32A 32T 33M 34C 38G 3BG 44G 46G 48G 54G 73G 76G 61G)	73P2609	*
1394 Firewire PCI LP (ATX) (models CTO 11Q 12M 25M 26C 27M 29G 2DG 32A 32T 33M 34C 38G 3BG 44G 46G 48G 54G 73G 76G 61G D2C E2C F2C G2M G3M)	73P2608	*
Speakers, Jazz Infinity Active T1 (Black) (models 26C 28V 29G 2DG 34C 38G 3BG 44G 46G 48G 54G 73G 76G 61G B2K D2C E2C F2C CTO)	25P4726	*
Speaker Power brick - US, CE, CF, LA, Taiwan (models CTO-U CTO-L CTO-A 28V)	10K2587	*
Speaker Power brick - Europe (non-UK) (models 29G 2DG 38G 3BG 44G 46G 48G 54G 73G 76G 61G CTO-G)	25P5704	*
Speaker Power brick - UK, Hong Kong (3 prong) (models 29G 2DG 38G 3BG 44G 46G 48G 54G 73G 76G 61G CTO-A CTO-G)	25P5703	*
Speaker Power brick (newer 2 prong) - China, Thailand, Phillipines (models D2C E2C F2C CTO-A)	10K2597	*
Speaker Power brick - ANZ (models CTO-A)	25P5705	*
Speaker Power brick - Brazil (models CTO-L)	25P5706	*

8422 FRUs	FRU#	CRU
Speaker Power brick - Argentina (models CTO-L)	01R2253	*
Speaker Power brick - Korea (models B2K)	88P7687	*
RJ11 Connector adapter (Spain, Ireland) (all 'G' models)	60H6043	*
RJ11 Connector adapter (Austria) (all 'G' models)	60H6045	*
RJ11 Connector adapter (Belgium) (all 'G' models)	60H6046	*
RJ11 Connector adapter (Denmark) (all 'G' models)	60H6047	*
RJ11 Connector adapter (Norway/Finland) (all 'G' models)	60H6048	*
RJ11 Connector adapter (France) (all 'G' models)	60H6049	*
RJ11 Connector adapter (Germany) (all 'G' models)	60H6050	*
RJ11 Connector adapter (UK,NZ, HK) (all 'G' models)	60H6051	*
RJ11 Connector adapter (Italy) (all 'G' models)	60H6052	*
RJ11 Connector adapter (Netherlands) (all 'G' models)	60H6053	*
RJ11 Connector adapter (Sweden) (all 'G' models)	60H6054	*
RJ11 Connector adapter (Switzerland) (all 'G' models)	60H6055	*

8422 Keyboards (Preferred Pro Fullsize)	FRU#	CRU
US English (models CTO 11Q 12M 14U 15G 21A 21Q 22U 22G 23H 24U 25M 29G 34C 38G 44G 46G 54G 55U 15U 33M 71G 72G 74G 75G 16A 16Q 3CM 62G 63U 64A 64Q 77G B1G D1G E1G F1G G1M G2M G3M)	89P8300	*
Arabic (models CTO-G 15G 22G 29G 38G 44G 46G 54G 71G 72G 74G 75G 62G 77G B1G D1G E1G F1G)	89P8301	*
Belgian/French (models CTO-G 15G 22G 29G 38G 44G 46G 54G 71G 72G 74G 75G 62G 77G B1G D1G E1G F1G)	89P8302	*
Belgian/UK (models CTO-G 15G 22G 29G 38G 44G 46G 54G 71G 72G 74G 75G 62G 77G B1G D1G E1G F1G)	89P8303	*
Bulgarian (models CTO-G 15G 22G 29G 38G 44G 46G 54G 71G 72G 74G 75G 62G 77G B1G D1G E1G F1G)	89P8305	*
Chinese/US (models 23B CTO-A)	89P8306	*
Czech (models CTO-G 15G 22G 29G 38G 44G 46G 54G 71G 72G 74G 75G 62G 77G B1G D1G E1G F1G)	89P8307	*
Danish (models CTO-G 15G 22G 29G 38G 44G 46G 54G 71G 72G 74G 75G 62G 77G B1G D1G E1G F1G)	89P8308	*
Dutch (models CTO-G 15G 22G 29G 38G 44G 46G 54G 71G 72G 74G 75G 62G 77G B1G D1G E1G F1G)	89P8309	*
French (models CTO-G 15G 22G 29G 38G 44G 46G 54G 71G 72G 74G 75G 62G 77G B1G D1G E1G F1G)	89P8310	*
French Canadian 445 (models CTO-U)	89P8311	*
French Canadian 58 (models CTO-U)	89P8312	*
German (models CTO-G 15G 22G 29G 38G 44G 46G 54G 71G 72G 74G 75G 62G 77G B1G D1G E1G F1G)	89P8313	*
Greek (models CTO-G 15G 22G 29G 38G 44G 46G 54G 71G 72G 74G 75G 62G 77G B1G D1G E1G F1G)	89P8314	*
Hebrew (models CTO-G 15G 22G 29G 38G 44G 46G 54G 71G 72G 74G 75G 62G 77G B1G D1G E1G F1G)	89P8315	*

8422 Keyboards (Preferred Pro Fullsize)	FRU#	CRU
Hungarian (models CTO-G 15G 22G 29G 38G 44G 46G 54G 71G 72G 74G 75G 62G 77G B1G D1G E1G F1G)	89P8316	*
Iceland (models CTO-G 15G 22G 29G 38G 44G 46G 54G 71G 72G 74G 75G 62G 77G B1G D1G E1G F1G)	89P8317	*
Italian 141 (models CTO-G 15G 22G 29G 38G 44G 46G 54G 71G 72G 74G 75G 62G 77G B1G D1G E1G F1G)	89P8318	*
Italian 142 (models CTO-G 15G 22G 29G 38G 44G 46G 54G 71G 72G 74G 75G 62G 77G B1G D1G E1G F1G)	89P8319	*
Korean (models B2K)	89P8321	*
LA Spanish (models CTO-L)	89P8322	*
Norwegian (models CTO-G 15G 22G 29G 38G 44G 46G 54G 71G 72G 74G 75G 62G 77G B1G D1G E1G F1G)	89P8323	*
Polish (models CTO-G 15G 22G 29G 38G 44G 46G 54G 71G 72G 74G 75G 62G 77G B1G D1G E1G F1G)	89P8324	*
Portuguese (models CTO-G 15G 22G 29G 38G 44G 46G 54G 71G 72G 74G 75G 62G 77G B1G D1G E1G F1G)	89P8325	*
Romanian (models CTO-G 15G 22G 29G 38G 44G 46G 54G 71G 72G 74G 75G 62G 77G B1G D1G E1G F1G)	89P8326	*
Russian (models CTO-G 15G 22G 29G 38G 44G 46G 54G 71G 72G 74G 75G 62G 77G B1G D1G E1G F1G)	89P8327	*
Russian/Cyrillic (models CTO-G 15G 22G 29G 38G 44G 46G 54G 71G 72G 74G 75G 62G 77G B1G D1G E1G F1G)	89P8328	*
Serbian/Cyrillic (models CTO-G 15G 22G 29G 38G 44G 46G 54G 71G 72G 74G 75G 62G 77G B1G D1G E1G F1G)	89P8329	*
Slovak (models CTO-G 15G 22G 29G 38G 44G 46G 54G 71G 72G 74G 75G 62G 77G B1G D1G E1G F1G)	89P8330	*
Spanish (models CTO-G 15G 22G 29G 38G 44G 46G 54G 71G 72G 74G 75G 62G 77G B1G D1G E1G F1G)	89P8331	*
Swedish/Finn (models CTO-G 15G 22G 29G 38G 44G 46G 54G 71G 72G 74G 75G 62G 77G B1G D1G E1G F1G)	89P8332	*
Swiss F/G (models CTO-G 15G 22G 29G 38G 44G 46G 54G 71G 72G 74G 75G 62G 77G B1G D1G E1G F1G)	89P8333	*
Thailand (models 21T CTO-A)	89P8334	*
Turkish 440 (models CTO-G 15G 22G 29G 38G 44G 46G 54G 71G 72G 74G 75G 62G 77G B1G D1G E1G F1G)	89P8335	*
Turkish 179 (models CTO-G 15G 22G 29G 38G 44G 46G 54G 71G 72G 74G 75G 62G 77G B1G D1G E1G F1G)	89P8336	*
UK English (models CTO-G 15G 22G 29G 38G 44G 46G 54G 71G 72G 74G 75G 62G 77G B1G D1G E1G F1G)	89P8337	*
US Euro (models CTO-G 15G 22G 29G 38G 44G 46G 54G 71G 72G 74G 75G 62G 77G B1G D1G E1G F1G)	89P8338	*
Yugoslav/Latin (models CTO-G 15G 22G 29G 38G 44G 46G 54G 71G 72G 74G 75G 62G 77G B1G D1G E1G F1G)	89P8339	*
Brazil/Portuguese (models CTO-L)	89P8304	*

8422 Keyboards (Productivity USB)	FRU#	CRU
US English (models 26C 29G 34C 38G 44G 46G 54G 73G 76G 61G D2C E2C F2C CTO)	89P8800	*

8422 Keyboards (Productivity USB)	FRU#	CRU
Arabic (models 29G 38G 44G 46G 54G 73G 76G 61G CTO-G)	89P8801	*
Arabic/French (models 29G 38G 44G 46G 54G 73G 76G 61G CTO-G)	89P8802	*
Belgian/French (models 29G 38G 44G 46G 54G 73G 76G 61G CTO-G)	89P8803	*
Belgian/UK (models 29G 38G 44G 46G 54G 73G 76G 61G CTO-G)	89P8804	*
Brazil/Portuguese (models CTO-L)	89P8805	*
Bulgarian (models 29G 38G 44G 46G 54G 73G 76G 61G CTO-G)	89P8806	*
Chinese/US (models 29G 38G 44G 46G 54G 73G 76G 61G CTO-G)	89P8807	*
Czech (models 29G 38G 44G 46G 54G 73G 76G 61G CTO-G)	89P8808	*
Danish (models 29G 38G 44G 46G 54G 73G 76G 61G CTO-G)	89P8809	*
Dutch (models 29G 38G 44G 46G 54G 73G 76G 61G CTO-G)	89P8810	*
French (models 29G 38G 44G 46G 54G 73G 76G 61G CTO-G)	89P8811	*
French Canadian (models CTO-U)	89P8812	*
French Canadian (models CTO-U)	89P8813	*
German (models 29G 38G 44G 46G 54G 73G 76G 61G CTO-G)	89P8814	*
Greek (models 29G 38G 44G 46G 54G 73G 76G 61G CTO-G)	89P8815	*
Hebrew (models 29G 38G 44G 46G 54G 73G 76G 61G CTO-G)	89P8816	*
Hungarian (models 29G 38G 44G 46G 54G 73G 76G 61G CTO-G)	89P8817	*
Iceland (models 29G 38G 44G 46G 54G 73G 76G 61G CTO-G)	89P8818	*
Italian 141 (models 29G 38G 44G 46G 54G 73G 76G 61G CTO-G)	89P8819	*
LA Spanish (models CTO-L)	89P8822	*
Norwegian (models 29G 38G 44G 46G 54G 73G 76G 61G CTO-G)	89P8823	*
Polish (models 29G 38G 44G 46G 54G 73G 76G 61G CTO-G)	89P8824	*
Portuguese (models 29G 38G 44G 46G 54G 73G 76G 61G CTO-G)	89P8825	*
Romanian (models 29G 38G 44G 46G 54G 73G 76G 61G CTO-G)	89P8826	*
Romanian (models 29G 38G 44G 46G 54G 73G 76G 61G CTO-G)	89P8827	*
Russian/Cyrillic (models 29G 38G 44G 46G 54G 73G 76G 61G CTO-G)	89P8828	*
Serbian/Cyrillic (models 29G 38G 44G 46G 54G 73G 76G 61G CTO-G)	89P8829	*
Slovak (models 29G 38G 44G 46G 54G 73G 76G 61G CTO-G)	89P8830	*
Spanish (models 29G 38G 44G 46G 54G 73G 76G 61G CTO-G)	89P8831	*
Swedish/Finn (models 29G 38G 44G 46G 54G 73G 76G 61G CTO-G)	89P8832	*
Swiss F/G (models 29G 38G 44G 46G 54G 73G 76G 61G CTO-G)	89P8833	*
Thailand (models CTO-A)	89P8834	*
Turkish 440 (models 29G 38G 44G 46G 54G 73G 76G 61G CTO-G)	89P8835	*
Turkish 179 (models 29G 38G 44G 46G 54G 73G 76G 61G CTO-G)	89P8836	*

8422 Power Cords	FRU#	CRU
Power cord (models CTO-U 14U 15G 21A 21T 22U 22G 24U 28V 29G 2AG 2BG 2CG 2DG 32A 32T 33U 35U 35G 36G 37G 38G 39G 3AG 3BG 43U 44G 45G 46G 47G 48G 49G 52U 53G 54G CBU CCU CDU CEU CGU 55U 15U 71G 72G 73G 74G 75G 76G 16A 16T 61G 62G 63U 64A 64T 77G CHU B1G D1G E1G F1G)	6952301	*
Power cord (ANZ) (models 12M 25M 27M 33M 3CM G1M G2M G3M)	13F9939	*

8422 Power Cords	FRU#	CRU
Power cord (EMEA, ANZ, ASEAN Eng, Korea) (models CTO-G 15G 22G 29G 2AG 2BG 2CG 2DG 35G 36G 37G 38G 39G 3AG 3BG 44G 45G 46G 47G 48G 49G 53G 54G 71G 72G 73G 74G 75G 76G 61G 62G 77G B1G D1G E1G F1G B2K)	13F9978	*
Power cord (EMEA, ANZ, ASEAN Eng, HK Eng) (models CTO-G 15G 22G 23H 29G 2AG 2BG 2CG 2DG 31H 35G 36G 37G 38G 39G 3AG 3BG 42H 44G 45G 46G 47G 48G 49G 53G 54G 71G 72G 73G 74G 75G 76G 61G 62G 77G B1G D1G E1G F1G)	14F0032	*
Power cord (EMEA) (models CTO-G 15G 22G 29G 2AG 2BG 2CG 2DG 35G 36G 37G 38G 39G 3AG 3BG 44G 45G 46G 47G 48G 49G 53G 54G 71G 72G 73G 74G 75G 76G 61G 62G 77G B1G D1G E1G F1G)	13F9996	*
Power cord (EMEA, LA) (models CTO-G 15G 22G 29G 2AG 2BG 2CG 2DG 35G 36G 37G 38G 39G 3AG 3BG 44G 45G 46G 47G 48G 49G 53G 54G 71G 72G 73G 74G 75G 76G 61G 62G 77G B1G D1G E1G F1G)	14F0068	*
Power cord (China, HK) (models 23B 23H 26C 31B 31H 34C 42B 42H D2C E2C F2C)	02K0545	*
Power cord (EMEA) (models CTO-G 15G 22G 29G 2AG 2BG 2CG 2DG 35G 36G 37G 38G 39G 3AG 3BG 44G 45G 46G 47G 48G 49G 53G 54G 71G 72G 73G 74G 75G 76G 61G 62G 77G B1G D1G E1G F1G)	14F0086	*
Power cord (EMEA, ANZ, ASEAN Eng) (models CTO-G 15G 22G 29G 2AG 2BG 2CG 2DG 35G 36G 37G 38G 39G 3AG 3BG 44G 45G 46G 47G 48G 49G 53G 54G 71G 72G 73G 74G 75G 76G 61G 62G 77G B1G D1G E1G F1G)	14F0014	*
Power cord (EMEA) (models CTO-G 15G 22G 29G 2AG 2BG 2CG 2DG 35G 36G 37G 38G 39G 3AG 3BG 44G 45G 46G 47G 48G 49G 53G 54G 71G 72G 73G 74G 75G 76G 61G 62G 77G B1G D1G E1G F1G)	14F0050	*
Power cord (INDIA) (models 11Q 21Q 16Q 64Q)	49P2078	*

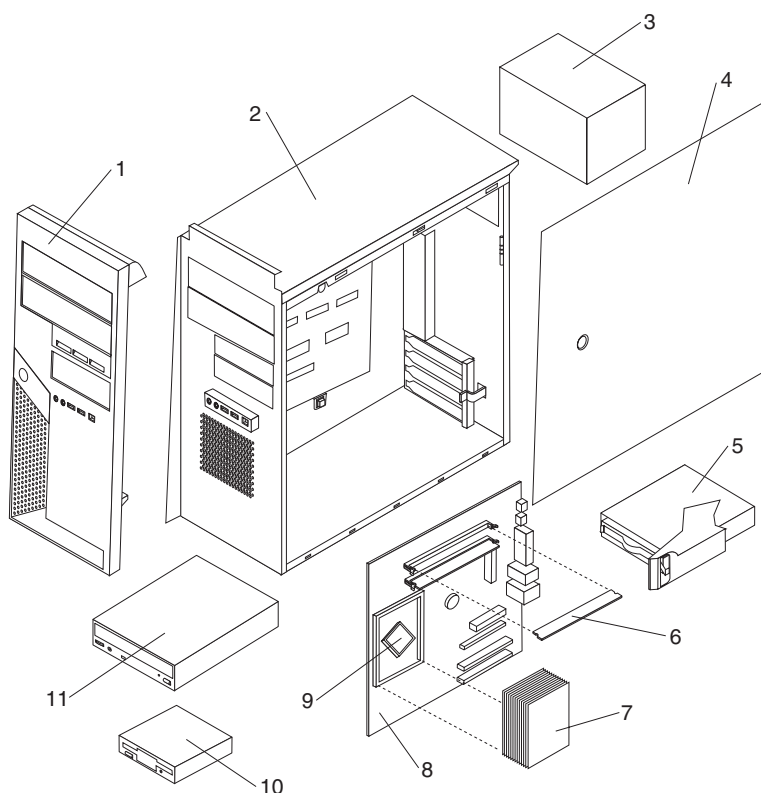
8422 Windows XP Pro Recovery CDs	FRU #	CRU
US (models 11Q 12M 14U 15G 21A 21Q 21T 22U 22G 23H 24U 25M 27M 2AG 2BG 2CG 2DG 31H 32A 32T 33U 35U 35G 36G 37G 39G 3AG 3BG 42H 43U 45G 47G 48G 49G 52U 53G 55U 15U 33M 16A 16Q 16T 3CM 63U 64A 64Q 64T G1M G2M G3M)	39J6597	*
FR (models 15G 22G 2AG 2BG 2CG 2DG 35G 36G 37G 39G 3AG 3BG 45G 47G 48G 49G 53G 71G 72G 74G 75G 62G 77G B1G D1G E1G F1G)	39J6598	*
GR (models 15G 22G 2AG 2BG 2CG 2DG 35G 36G 37G 39G 3AG 3BG 45G 47G 48G 49G 53G 71G 72G 74G 75G 62G 77G B1G D1G E1G F1G)	39J6599	*
IT (models 15G 22G 2AG 2BG 2CG 2DG 35G 36G 37G 39G 3AG 3BG 45G 47G 48G 49G 53G 71G 72G 74G 75G 62G 77G B1G D1G E1G F1G)	39J6601	*
SP (models 15G 22G 2AG 2BG 2CG 2DG 35G 36G 37G 39G 3AG 3BG 45G 47G 48G 49G 53G 71G 72G 74G 75G 62G 77G B1G D1G E1G F1G)	39J6600	*
DK (models 15G 22G 2AG 2BG 2CG 2DG 35G 36G 37G 39G 3AG 3BG 45G 47G 48G 49G 53G 71G 72G 74G 75G 62G 77G B1G D1G E1G F1G)	39J6604	*
NL (models 15G 22G 2AG 2BG 2CG 2DG 35G 36G 37G 39G 3AG 3BG 45G 47G 48G 49G 53G 71G 72G 74G 75G 62G 77G B1G D1G E1G F1G)	39J6607	*
AE (models 15G 22G 2AG 2BG 2CG 2DG 35G 36G 37G 39G 3AG 3BG 45G 47G 48G 49G 53G 71G 72G 74G 75G 62G 77G B1G D1G E1G F1G)	39J6611	*
SV (models 15G 22G 2AG 2BG 2CG 2DG 35G 36G 37G 39G 3AG 3BG 45G 47G 48G 49G 53G 71G 72G 74G 75G 62G 77G B1G D1G E1G F1G)	39J6603	*
HE (models 15G 22G 2AG 2BG 2CG 2DG 35G 36G 37G 39G 3AG 3BG 45G 47G 48G 49G 53G 71G 72G 74G 75G 62G 77G B1G D1G E1G F1G)	39J6608	*
FI (models 15G 22G 2AG 2BG 2CG 2DG 35G 36G 37G 39G 3AG 3BG 45G 47G 48G 49G 53G 71G 72G 74G 75G 62G 77G B1G D1G E1G F1G)	39J6605	*

8422 Windows XP Pro Recovery CDs	FRU #	CRU
NO (models 15G 22G 2AG 2BG 2CG 2DG 35G 36G 37G 39G 3AG 3BG 45G 47G 48G 49G 53G 71G 72G 74G 75G 62G 77G B1G D1G E1G F1G)	39J6606	*
PL (models 15G 22G 2AG 2BG 2CG 2DG 35G 36G 37G 39G 3AG 3BG 45G 47G 48G 49G 53G 71G 72G 74G 75G 62G 77G B1G D1G E1G F1G)	39J6609	*
PO (models 15G 22G 2AG 2BG 2CG 2DG 35G 36G 37G 39G 3AG 3BG 45G 47G 48G 49G 53G 71G 72G 74G 75G 62G 77G B1G D1G E1G F1G)	39J6615	*
RU (models 15G 22G 2AG 2BG 2CG 2DG 35G 36G 37G 39G 3AG 3BG 45G 47G 48G 49G 53G 71G 72G 74G 75G 62G 77G B1G D1G E1G F1G)	41D1198	*
RE (models 15G 22G 2AG 2BG 2CG 2DG 35G 36G 37G 39G 3AG 3BG 45G 47G 48G 49G 53G 71G 72G 74G 75G 62G 77G B1G D1G E1G F1G)	41D1223	*
HU (models 15G 22G 2AG 2BG 2CG 2DG 35G 36G 37G 39G 3AG 3BG 45G 47G 48G 49G 53G 71G 72G 74G 75G 62G 77G B1G D1G E1G F1G)	39J6614	*
CZ (models 15G 22G 2AG 2BG 2CG 2DG 35G 36G 37G 39G 3AG 3BG 45G 47G 48G 49G 53G 71G 72G 74G 75G 62G 77G B1G D1G E1G F1G)	39J6610	*
TR (models 15G 22G 2AG 2BG 2CG 2DG 35G 36G 37G 39G 3AG 3BG 45G 47G 48G 49G 53G 71G 72G 74G 75G 62G 77G B1G D1G E1G F1G)	39J6613	*
GK (models 15G 22G 2AG 2BG 2CG 2DG 35G 36G 37G 39G 3AG 3BG 45G 47G 48G 49G 53G 71G 72G 74G 75G 62G 77G B1G D1G E1G F1G)	39J6616	*
HK (models 23B 31B 42B)	30R4755	*
KOR (models B2K)	30R4734	*
Multilingual 1 (models 15G 22G 2AG 2BG 2CG 2DG 35G 36G 37G 39G 3AG 3BG 45G 47G 48G 49G 53G 71G 72G 74G 75G 62G 77G B1G D1G E1G F1G)	39J6215	*
Multilingual 2 (models 15G 22G 2AG 2BG 2CG 2DG 35G 36G 37G 39G 3AG 3BG 45G 47G 48G 49G 53G 71G 72G 74G 75G 62G 77G B1G D1G E1G F1G)	39J6216	*

8422 Windows XP Home Recovery CDs	FRU #	CRU
US (models 29G 38G 44G 46G 54G 73G 76G 61G)	39J6765	*
FR (models 29G 38G 44G 46G 54G 73G 76G 61G)	39J6766	*
GR (models 29G 38G 44G 46G 54G 73G 76G 61G)	39J6767	*
IT (models 29G 38G 44G 46G 54G 73G 76G 61G)	39J6769	*
SP (models 29G 38G 44G 46G 54G 73G 76G 61G)	39J6768	*
DK (models 29G 38G 44G 46G 54G 73G 76G 61G)	39J6772	*
NL (models 29G 38G 44G 46G 54G 73G 76G 61G)	39J6775	*
AE (models 29G 38G 44G 46G 54G 73G 76G 61G)	39J6779	*
SV (models 29G 38G 44G 46G 54G 73G 76G 61G)	19R1994	*
HE (models 29G 38G 44G 46G 54G 73G 76G 61G)	39J6776	*
FI (models 29G 38G 44G 46G 54G 73G 76G 61G)	39J6773	*
NO (models 29G 38G 44G 46G 54G 73G 76G 61G)	39J6774	*
PL (models 29G 38G 44G 46G 54G 73G 76G 61G)	39J6777	*
PO (models 29G 38G 44G 46G 54G 73G 76G 61G)	39J6783	*
RU (models 29G 38G 44G 46G 54G 73G 76G 61G)	41D1204	*
RE (models 29G 38G 44G 46G 54G 73G 76G 61G)	41D1241	*
HU (models 29G 38G 44G 46G 54G 73G 76G 61G)	39J6782	*
CZ (models 29G 38G 44G 46G 54G 73G 76G 61G)	39J6778	*

8422 Windows XP Home Recovery CDs	FRU #	CRU
TR (models 29G 38G 44G 46G 54G 73G 76G 61G)	39J6781	*
GK (models 29G 38G 44G 46G 54G 73G 76G 61G)	39J6784	*
CS (models 26C 34C D2C E2C F2C)	30R4705	*
TW (models 28V)	30R4712	*

## Machine Type 8423



Item #	8423 FRUs	FRU#	CRU
1	Bezel (all models)	26K1116	*
2	Chassis Asm (subd from 26K1113) (all models)	26K1160	**
3	Power Supply 310 Watt (models 42M 22J CTO CAJ CBJ CCJ CDJ 51U 12U 21U 21A 21T 25U 25F 31U 32U 33A 33T 34M 35M 36U 36F 41U 41F 51U 51F CAU CBU CCU CDU CFU 23M 26U 13U 24J 27G 71G 72G A1U A1F 15A 15G 15T 16J 17J 18J 19J 1AJ 2AJ 2BJ 2CJ 37G 38G 3AM 61A 61T 63U CGU CGJ 28J 29J 1BJ 1CJ 1DJ 1EJ B1G D1G E1G F1G 73G 74G 75G 76G 77G CHJ CJJ CKJ B3K 78J 79J A2J A3J 7AJ 7BJ 7CJ 7DJ 1FJ 1GJ 1HJ 1JJ B4M B5M B6M 2EU 2EF 7HG)	24R2574	**
3	Power Supply 310 Watt (China) (models 31S 31D 31Y 41S 41D 41Y 51S 51D 51Y 21S 21D 21Y 32S 32D 32Y 43B 43H A1S A1L A1D A1Y 14V 39S 39L 39D 39Y 44S 44L 44D 44Y 45S 45D 45Y 52S 52L 52D 52Y 61Q 62S 62L 62D 62Y 63S 2DS 2DY 3BS 3BY CTO-A CTO-L)	24R2578	**
4	Cover Asm (all models)	26K1115	**
5	HDD 40GB 7200 rpm Serial ATA (models 22J CTO 12U 26U 13U 24J 27G 71G 72G 14V 37G 2DS 2DY)	71P7312	*
5	HDD 40GB 7200 rpm Serial ATA (models 22J CTO 12U 26U 13U 24J 27G 71G 72G 14V 37G 2DS 2DY)	40Y8760	*
5	HDD 40GB 7200 rpm Serial ATA (models 22J CTO 12U 26U 13U 24J 27G 71G 72G 14V 37G 2DS 2DY)	40Y9033	*
5	HDD 80GB 7200 rpm Serial ATA (models 31S 31D 31Y 21S 21D 21Y CTO 21U 21A 21T 25U 25F 31U 33A 33T 34M 36U 36F 23M A1U A1F A1S A1L A1D A1Y 15A 15G 15T 38G 39S 39L 39D 39Y 44S 44L 44D 44Y 61A 61Q 61T B1G D1G E1G F1G 73G 74G 75G 76G 77G B3K 3BS 3BY 78J 79J A2J A3J 7AJ 7BJ 1FJ 1GJ B4M B5M B6M)	71P7293	*



Item #	8423 FRUs	FRU#	CRU
5	HDD 80GB 7200 rpm Serial ATA (models 31S 31D 31Y 21S 21D 21Y CTO 21U 21A 21T 25U 25F 31U 33A 33T 34M 36U 36F 23M A1U A1F A1S A1L A1D A1Y 15A 15G 15T 38G 39S 39L 39D 39Y 44S 44L 44D 44Y 61A 61Q 61T B1G D1G E1G F1G 73G 74G 75G 76G 77G B3K 3BS 3BY 78J 79J A2J A3J 7AJ 7BJ 1FJ 1GJ B4M B5M B6M)	40Y8761	*
5	HDD 80GB 7200 rpm Serial ATA (models 31S 31D 31Y 21S 21D 21Y CTO 21U 21A 21T 25U 25F 31U 33A 33T 34M 36U 36F 23M A1U A1F A1S A1L A1D A1Y 15A 15G 15T 38G 39S 39L 39D 39Y 44S 44L 44D 44Y 61A 61Q 61T B1G D1G E1G F1G 73G 74G 75G 76G 77G B3K 3BS 3BY 78J 79J A2J A3J 7AJ 7BJ 1FJ 1GJ B4M B5M B6M)	40Y9034	*
5	HDD 160GB 7200 rpm Serial ATA (models 41S 41D 41Y 42M 32S 32D 32Y CTO 32U 35M 41U 41F 43B 43H 51U 51F 16J 17J 18J 19J 1AJ 2AJ 2BJ 2CJ 3AM 45S 45D 45Y 52S 52L 52D 52Y 62S 62L 62D 62Y 63U 63S 28J 29J 1BJ 1CJ 1DJ 1EJ 7CJ 7DJ 1HJ 1JJ 2EU 2EF 7HG)	71P7297	*
5	HDD 160GB 7200 rpm Serial ATA (models 41S 41D 41Y 42M 32S 32D 32Y CTO 32U 35M 41U 41F 43B 43H 51U 51F 16J 17J 18J 19J 1AJ 2AJ 2BJ 2CJ 3AM 45S 45D 45Y 52S 52L 52D 52Y 62S 62L 62D 62Y 63U 63S 28J 29J 1BJ 1CJ 1DJ 1EJ 7CJ 7DJ 1HJ 1JJ 2EU 2EF 7HG)	40Y8762	*
5	HDD 160GB 7200 rpm Serial ATA (models 41S 41D 41Y 42M 32S 32D 32Y CTO 32U 35M 41U 41F 43B 43H 51U 51F 16J 17J 18J 19J 1AJ 2AJ 2BJ 2CJ 3AM 45S 45D 45Y 52S 52L 52D 52Y 62S 62L 62D 62Y 63U 63S 28J 29J 1BJ 1CJ 1DJ 1EJ 7CJ 7DJ 1HJ 1JJ 2EU 2EF 7HG)	40Y9035	*
6	256MB PC2 3200 Memory (400mhz DDR2) (models 31S 31D 31Y 41S 41D 41Y 51S 51D 51Y 21S 21D 21Y 22J 32S 32D 32Y CTO 51U 12U 21U 21A 21T 25U 25F 31U 32U 36U 36F 41U 41F 51U 51F 26U 13U 24J 27G 71G 72G A1U A1F A1S A1L A1D A1Y 14V 15A 15G 15T 37G 38G 39S 39L 39D 39Y 44S 44L 44D 44Y 45S 45D 45Y 52S 52L 52D 52Y 61A 61Q 61T 62S 62L 62D 62Y 63U 63S 1BJ B1G D1G E1G F1G 73G 74G 75G 76G 77G 2DS 2DY 3BS 3BY 2EU 2EF 7HG)	73P3220	*
6	512MB PC2 3200 Memory (400mhz DDR2) (models 42M CTO 33A 33T 34M 35M 43B 43H 23M 16J 17J 18J 19J 1AJ 2AJ 2BJ 2CJ 3AM 28J 29J 1CJ 1DJ 1EJ B3K 78J 79J A2J A3J 7AJ 7BJ 7CJ 7DJ 1FJ 1GJ 1HJ 1JJ B4M B5M B6M)	73P3222	*
6	1024MB PC2 3200 Memory (400mhz DDR2) (models CTO)	73P3224	*
7	Heat sink (models 78J 79J A2J A3J 7AJ 7BJ 7CJ 7DJ 1FJ 1GJ 1HJ 1JJ B4M B5M B6M 7HG 2EU 2EF 31S 31D 31Y 41S 41D 41Y 42M 51S 51D 51Y 21S 21D 21Y 22J 32S 32D 32Y CTO CAJ CBJ CCJ CDJ 51U 12U CFU 21U 21A 21T 25U 25F CAU 31U 32U 33A 33T 34M 35M 36U 36F CBU 41U 41F 43B 43H CCU 51U 51F CDU 23M 26U 13U 24J 27G 71G 72G 14V 15A 15G 15T 16J 17J 18J 19J 1AJ 2AJ 2BJ 2CJ 37G 38G 39S 39L 39D 39Y 3AM 44S 44L 44D 44Y 45S 45D 45Y 52S 52L 52D 52Y 61A 61Q 61T 62S 62L 62D 62Y 63U 63S CGU CGJ 28J 29J 1BJ 1CJ 1DJ 1EJ CKJ B1G 75G 77G D1G 76G E1G CHJ F1G CJJ 73G 74G B3K 2DS 2DY 3BS 3BY)	89P6729	**
8	System board 10/1000 w/ POV (models 78J 79J A2J A3J 7AJ 7BJ 7CJ 7DJ 1FJ 1GJ 1HJ 1JJ B4M B5M B6M 2EU 2EF 7HG 31S 31D 31Y 41S 41D 41Y 42M 51S 51D 51Y 21S 21D 21Y 22J 32S 32D 32Y CTO CAJ CBJ CCJ CDJ 51U 12U 21U 21A 21T 25U 25F 31U 32U 33A 33T 34M 35M 36U 36F 41U 41F 43B 43H 51U 51F CAU CBU CCU CDU CFU 23M 26U 13U 24J 27G 71G 72G A1U A1F A1S A1L A1D A1Y 14V 15A 15G 15T 16J 17J 18J 19J 1AJ 2AJ 2BJ 2CJ 37G 38G 39S 39L 39D 39Y 3AM 44S 44L 44D 44Y 45S 45D 45Y 52S 52L 52D 52Y 61A 61Q 61T 62S 62L 62D 62Y 63U 63S CGU CGJ 28J 29J 1BJ 1CJ 1DJ 1EJ B1G D1G E1G F1G 73G 74G 75G 76G 77G CHJ CJJ CKJ B3K 2DS 2DY 3BS 3BY)	29R8261	**
9	2.53 GHZ Celeron Prescott P4 (models CTO)	29R7215	**
9	2.66 GHZ Celeron Prescott P4 (models CTO A1U A1F A1S A1L A1D A1Y)	29R7217	**
9	2.8 GHZ Celeron Prescott P4 (models CTO)	29R7219	**
9	2.93 GHZ Celeron Prescott P4 (models CTO 78J 79J A2J A3J)	29R7221	**

Item #	8423 FRUs	FRU#	CRU
9	3.06GHZ Celeron Prescott P4 (models CTO)	29R8208	**
9	2.53GHZ Celeron Prescott P4 326 (models CTO)	39J9397	**
9	2.66 GHZ Celeron Prescott P4 331 (models CTO)	39J9399	**
9	2.8 GHZ Celeron Prescott P4 336 (models CTO)	39J9401	**
9	2.93 GHZ Celeron Prescott P4 341 (models CTO)	39J9403	**
9	3.06 GHZ Celeron Prescott P4 346 (models CTO)	39J9405	**
9	3.2 GHZ Celeron Prescott P4 351 (models CTO)	41D0533	**
9	2.66 GHZ Prescott P4 (models CTO)	29R7223	**
9	2.93GHZ Prescott P4 (models CTO 14V 15A 15G 15T 16J 17J 18J 19J 1AJ 1BJ 1CJ 1DJ 1EJ CKJ 7AJ 7BJ 7CJ 7DJ 1FJ 1GJ 1HJ 1JJ)	29R7225	**
9	2.66GHZ Celeron Prescott P4 346 (models CTO)	41D0676	**
9	2.93GHZ Celeron Prescott P4 351 (models CTO)	41D0677	**
9	3.06GHZ Celeron Prescott P4 (models CTO)	41D0678	**
9	2.8GHZ Prescott P4 (models 12U CFU 13U)	19R0495	**
9	3.0GHZ Prescott P4 (models 21S 21D 21Y 22J CTO CAJ 21U 21A 21T 25U 25F CAU 23M 26U 24J 27G 71G 2AJ 2BJ 2CJ 28J 29J 73G 74G 2DS 2DY)	19R0496	**
9	3.2GHZ Prescott P4 (models 31S 31D 31Y 32S 32D 32Y CTO CBJ 31U 32U 33A 33T 34M 35M 36U 36F CBU 72G 37G 38G 39S 39L 39D 39Y 3AM 3BS 3BY 2EU 2EF)	19R0497	**
9	3.4GHZ Prescott P4 (models 41S 41D 41Y 42M CTO CCJ 41U 41F 43B 43H CCU 44S 44L 44D 44Y 45S 45D 45Y)	19R0498	**
9	3.4GHZ Prescott P4 (low-power) (models CTO)	19R3011	**
9	3.6GHZ Prescott P4 (models 51S 51D 51Y CTO CDJ 51U 51U 51F CDU 52S 52L 52D 52Y)	19R0499	**
9	3.8GHZ Prescott P4 (models CTO 61A 61Q 61T 62S 62L 62D 62Y 63U 63S CGU CGJ)	29R8211	**
9	2.8GHZ Prescott P4 521 (models CTO)	39J9407	**
9	3.0GHZ Prescott P4 531 (models CTO)	39J9409	**
9	3.2GHZ Prescott P4 541 (models CTO)	39J9411	**
9	3.4GHZ Prescott P4 551 (models CTO)	39J9413	**
9	3.6GHZ Prescott P4 561 (models CTO)	41D0535	**
9	3.8GHZ Prescott P4 571 (models CTO)	41D0537	**
9	3.0GHZ Prescott P4 (models CTO B1G 75G 77G B3K B4M B5M B6M 7HG)	39J6589	**
9	3.2GHZ Prescott P4 (models CTO D1G 76G)	39J6591	**
9	3.4GHZ Prescott P4 (models CTO E1G CHJ)	39J6593	**
9	3.6GHZ Prescott P4 (models CTO F1G CJJ)	39J6595	**
9	3.8GHZ Prescott P4 670 (models CTO)	41D0539	**
10	3.5" 1.44MB 2MODE Diskette drive wo/Bezel (models 31S 31D 31Y 41S 41D 41Y 42M 51S 51D 51Y 21S 21D 21Y 22J 32S 32D 32Y CTO 51U 12U 21U 21A 21T 25U 25F 31U 32U 33A 33T 34M 35M 36U 36F 41U 41F 43B 43H 51U 51F 23M 26U 13U 24J 27G 71G 72G A1U A1F A1S A1L A1D A1Y 14V 15A 15G 15T 16J 17J 18J 19J 1AJ 2AJ 2BJ 2CJ 37G 38G 39S 39L 39D 39Y 3AM 44S 44L 44D 44Y 45S 45D 45Y 52S 52L 52D 52Y 61A 61Q 61T 62S 62L 62D 62Y 63U 63S 28J 29J 1BJ 1CJ 1DJ 1EJ B1G D1G E1G F1G 73G 74G 75G 76G 77G B3K 2DS 2DY 3BS 3BY 78J 79J A2J A3J 7AJ 7BJ 7CJ 7DJ 1FJ 1GJ 1HJ 1JJ B4M B5M B6M 2EU)	76H4091	*

Item #	8423 FRUs	FRU#	CRU
10	3.5" 1.44MB 2MODE Diskette drive (w/Bezel) (models 78J 79J A2J A3J 7AJ 7BJ 7CJ 7DJ 1FJ 1GJ 1HJ 1JJ B4M B5M B6M 2EU 2EF 7HG)	40Y9107	*
10	3.5" 1.44MB 2MODE Diskette drive (w/Bezel) (models 78J 79J A2J A3J 7AJ 7BJ 7CJ 7DJ 1FJ 1GJ 1HJ 1JJ B4M B5M B6M 2EU 2EF 7HG)	24P3889	*
10	3.5" 1.44MB 2MODE Diskette drive (w/Bezel) (models 78J 79J A2J A3J 7AJ 7BJ 7CJ 7DJ 1FJ 1GJ 1HJ 1JJ B4M B5M B6M 2EU 2EF 7HG)	40Y9105	*
10	3.5" 1.44MB 2MODE Diskette drive (w/Bezel) (models 78J 79J A2J A3J 7AJ 7BJ 7CJ 7DJ 1FJ 1GJ 1HJ 1JJ B4M B5M B6M 2EU 2EF 7HG)	39M0101	*
10	3.5" 1.44MB 2MODE Diskette drive (w/Bezel) (models 78J 79J A2J A3J 7AJ 7BJ 7CJ 7DJ 1FJ 1GJ 1HJ 1JJ B4M B5M B6M 2EU 2EF 7HG)	40Y9113	*
11	CD-ROM Drive 48X - Black w/o jack & vol (models 22J CTO 26U 13U 24J 27G 71G 72G 14V 15A 15G 15T 1BJ 2DS 2DY)	71P7371	*
11	CD-ROM Drive 48X - Black w/o jack & vol (models 22J CTO 26U 13U 24J 27G 71G 72G 14V 15A 15G 15T 1BJ 2DS 2DY)	71P7375	*
11	CD-ROM Drive 48X - Black w/o jack & vol (models 22J CTO 26U 13U 24J 27G 71G 72G 14V 15A 15G 15T 1BJ 2DS 2DY)	71P7385	*
11	CD-ROM Drive 48X - Black w/o jack & vol (models 22J CTO 26U 13U 24J 27G 71G 72G 14V 15A 15G 15T 1BJ 2DS 2DY)	71P7377	*
11	CD-ROM Drive 48X - Black w/o jack & vol (models CTO)	39M3511	*
11	CD-ROM Drive 48X - Black w/o jack & vol (models CTO)	26K5445	*
11	CD-ROM Drive 48X - Black w/o jack & vol (models CTO)	40y8807	*
11	DVD-ROM 16X/48X - Black (optional to 33P3297) (models CTO-U CTO-G 37G B1G D1G E1G F1G 73G 75G)	33P3237	*
11	DVD-ROM 16X/48X - Black (models CTO-U CTO-G 37G B1G D1G E1G F1G 73G 75G)	71P7357	*
11	DVD-ROM 16X/48X - Black (models CTO-U CTO-G 37G B1G D1G E1G F1G 73G 75G)	26K5385	*
11	DVD-ROM 16X/48X - Black (models CTO-U CTO-G 37G B1G D1G E1G F1G 73G 75G)	26K5435	*
11	DVD-ROM 16X/48X - Black (models CTO)	39M3513	*
11	DVD-ROM 16X/48X - Black (models CTO)	39M3515	*
11	DVD-ROM 16X/48X - Black (models CTO)	39M3517	*
11	DVD-ROM 16X/48X - Black (models CTO)	40Y8935	*
11	DVD-ROM 16X/48X - Black (models CTO)	40Y8933	*
11	CD-RW Drive (48X/32X/48X) (models 31S 31D 31Y 21S 21D 21Y CTO 12U 21U 21A 21T 31U)	71P7347	*
11	CD-RW Drive (48X/32X/48X) (models 31S 31D 31Y 21S 21D 21Y CTO 12U 21U 21A 21T 31U)	71P7349	*
11	CD-RW Drive (48X/32X/48X) (models CTO)	26K5401	*
11	CD-RW Drive (48X/32X/48X) (models CTO)	40Y8901	*
11	CD-RW Drive (48X/32X/48X) (models CTO)	40Y8937	*
11	DVD-ROM/CD-RW Combo Drive (48x/32x/48x/16x) (models 41S 41D 41Y 42M 32S 32D 32Y CTO 25U 25F 32U 33A 33T 36U 36F 41U 41F 43B 43H A1U A1F A1S A1L A1D A1Y 38G 39S 39L 39D 39Y 44S 44L 44D 44Y 52S 52L 52D 52Y 61A 61Q 61T 62S 62L 62D 62Y 74G 76G 77G B3K 3BS 3BY 78J 79J B4M)	26K5379	*

Item #	8423 FRUs	FRU#	CRU
11	DVD-ROM/CD-RW Combo Drive (48x/32x/48x/16x) (models 41S 41D 41Y 42M 32S 32D 32Y CTO 25U 25F 32U 33A 33T 36U 36F 41U 41F 43B 43H A1U A1F A1S A1L A1D A1Y 38G 39S 39L 39D 39Y 44S 44L 44D 44Y 52S 52L 52D 52Y 61A 61Q 61T 62S 62L 62D 62Y 74G 76G 77G B3K 3BS 3BY 78J 79J B4M)	26K5381	*
11	DVD-ROM/CD-RW Combo Drive (48x/32x/48x/16x) (models CTO A1U A1F A1S A1L A1D A1Y 38G 39S 39L 39D 39Y 44S 44L 44D 44Y 52S 52L 52D 52Y 61A 61Q 61T 62S 62L 62D 62Y 74G 76G 77G B3K 3BS 3BY 78J 79J B4M)	26K5429	*
11	DVD-ROM/CD-RW Combo Drive (48x/32x/48x/16x) (models CTO 78J 79J B4M)	39M3539	*
11	DVD-ROM/CD-RW Combo Drive (48x/32x/48x/16x) (models CTO 78J 79J B4M)	40Y8781	*
11	DVD-ROM/CD-RW Combo Drive (48x/32x/48x/16x) (models CTO 78J 79J B4M)	40Y8903	*
11	Universal Combo Drive (48x/24x/48x/16x) -- optional to 26K5379 and 26K5381 (models 41S 41D 41Y 32S 32D 32Y CTO 25U 25F 32U 33A 33T 36U 36F 41U 41F 43B 43H A1U A1F A1S A1L A1D A1Y 38G 39S 39L 39D 39Y 44S 44L 44D 44Y 52S 52L 52D 52Y 61A 61Q 61T 62S 62L 62D 62Y 74G 76G 77G B3K 3BS 3BY 78J 79J B4M)	26K5390	*
11	Universal Rambo drive (Black) (models CTO)	26K5377	*
11	Multi-Burner Plus (Rambo IV) (models 42M 34M 35M 23M CTO 51S 51D 51Y 51U 51U 51F 16J 17J 18J 19J 1AJ 2AJ 2BJ 2CJ 3AM 45S 45D 45Y 63U 63S 28J 29J 1CJ 1DJ 1EJ)	26K5383	*
11	Multi-Burner Plus (Rambo VI) (models CTO A2J A3J 7AJ 7BJ 7CJ 7DJ 1FJ 1GJ 1HJ 1JJ B5M B6M 2EU 2EF 7HG)	26K5441	*
11	Multi-Burner Plus (Rambo VI) (models CTO A2J A3J 7AJ 7BJ 7CJ 7DJ 1FJ 1GJ 1HJ 1JJ B5M B6M 2EU 2EF 7HG)	39M3519	*
11	Multi-Burner Plus (Rambo VI) (models CTO A2J A3J 7AJ 7BJ 7CJ 7DJ 1FJ 1GJ 1HJ 1JJ B5M B6M 2EU 2EF 7HG)	40Y8799	*
11	Multi-Burner Plus (Rambo VI) (models CTO A2J A3J 7AJ 7BJ 7CJ 7DJ 1FJ 1GJ 1HJ 1JJ B5M B6M 2EU 2EF 7HG)	40Y8909	*

The FRUs listed in the following table are not illustrated.

8423 FRUs	FRU#	CRU
Speaker Asm, internal (All EXCEPT 1DJ 1EJ CHJ CJJ CKJ B3K 2DS 2DY 3BS 3BY B4M B5M B6M 2EU 2EF)	00N5151	*
C2 Cable Asm (models 39S 39L 39D 39Y 44S 44L 44D 44Y 45S 45D 45Y 52S 52L 52D 52Y 62S 62L 62D 62Y)	09K9827	**
Shield, 5.25 Blank EMC (all models)	19K5548	*
Cable, SATA (all models)	88P5927	**
HDD Mounting Brkt Asm (all models)	88P5916	*
Cable, Second Serial Port (all models)	49P4530	**
Shield, Blank Diskette drive all models)	89P7700	**
Cable, Optical IDE (all models)	89P6734	**
Cable, Diskette drive (all models)	26K1128	**
Cable, Front Panel USB Audio (all models)	26K1129	**
Fan Duct Asm (all models)	26K1167	*
Power Switch/LED (used with chassis PN 26K1113) (all models)	26K1119	*
Power Switch/LED (used with chassis PN 26K1160) (all models)	26K1161	*

8423 FRUs	FRU#	CRU
Front Panel Card (all models)	26K1125	*
Device Retaining Clips (all models)	13N2449	*
System board shield (all models)	89P6727	*
Miscellaneous Hardware kit (all models)	89P6737	*
Cable, 1394 Front (all models)	89P6738	**
Retention module (all models)	89P6725	*
Battery, 3.0V (all models)	33F8354	*
Universal Adapter Bracket 5.25 to 3.5-inch	32P4743	*
Mouse, PS/2 - 2-button (Black) (models CTO)	24P0383	*
Mouse, PS/2 - 3- Button (Ball) Wheel (models CTO))	24P0491	*
Mouse, Optical Wheelmouse, USB 400 DPI (models 78J 79J A2J A3J 7AJ 7BJ 7CJ 7DJ 1FJ 1GJ 1HJ 1JJ B4M B5M B6M 2EU 2EF 7HG 31S 31D 31Y 41S 41D 41Y 42M 51S 51D 51Y 21S 21D 21Y 22J 32S 32D 32Y CTO 51U 12U 21U 21A 21T 25U 25F 31U 32U 33A 33T 34M 35M 36U 36F 41U 41F 43B 43H 51U 51F 23M 26U 13U 24J 27G 71G 72G A1U A1F A1S A1L A1D A1Y 14V 15A 15G 15T 16J 17J 18J 19J 1AJ 2AJ 2BJ 2CJ 37G 38G 39S 39L 39D 39Y 3AM 44S 44L 44D 44Y 45S 45D 45Y 52S 52L 52D 52Y 61A 61Q 61T 62S 62L 62D 62Y 63U 63S 28J 29J 1BJ 1CJ 1DJ 1EJ B1G D1G E1G F1G 73G 74G 75G 76G 77G B3K 2DS 2DY 3BS 3BY)	89P5089	*
PCI Modem Card (Soft), ATX V.90 (models 31S 31D 31Y 41S 41D 41Y 42M 51S 51D 51Y 21S 21D 21Y 22J 32S 32D 32Y CTO 51U 12U 21U 21A 21T 25U 25F 31U 32U 33A 33T 35M 36U 36F 41U 41F 43B 43H 51U 51F 23M 26U 13U 24J A1U A1F A1S A1L A1D A1Y 14V 15A 15G 15T 39S 39L 39D 39Y 3AM 44S 44L 44D 44Y 45S 45D 45Y 52S 52L 52D 52Y 62S 62L 62D 62Y 63U 63S 1BJ B3K 2DS 2DY 3BS 3BY B4M B5M B6M 2EU 2EF)	22P7943	*
64MB PCIe Adapter Dual VGA (models 31S 31D 31Y 32S 32D 32Y CTO 31U 32U 33A 33T 34M 36U 36F 61A 61Q 61T B5M)	19R0849	*
64MB PCIe Adapter Dual VGA, DVI-I, TV out (models 41S 41D 41Y CTO 41U 41F 34M)	19R0847	*
128MB PCIe Adapter Dual VGA, DVI-I, TV out (models 51S 51D 51Y CTO 51U 42M 35M 51U 51F 17J 18J 19J 1AJ 2AJ 2BJ 2CJ 39S 39L 39D 39Y 3AM 44S 44L 44D 44Y 45S 45D 45Y 52S 52L 52D 52Y 62S 62L 62D 62Y 63U 63S 29J 1DJ 1EJ 78J 79J A2J A3J 7AJ 7BJ 7CJ 7DJ 1FJ 1GJ 1HJ 1JJ B6M 2EU 2EF)	19R1452	*
PCI-E DVI-D Connection Adapter (models CTO)	19R2374	*
1394 Firewire PCI LP (ATX) (models 51S 51D 51Y CTO 51U 35M 42M 51U 51F A1U A1F A1S A1L A1D A1Y 16J 39S 39L 39D 39Y 44S 44L 44D 44Y 45S 45D 45Y 52S 52L 52D 52Y 62S 62L 62D 62Y 63U 63S 1CJ B5M B6M 2EU 2EF)	73P2608	*
1394 - 2 audio/USB/1394 (models 42M)	49P1752	*
Speakers, Jazz Infinity Active T1 (Black) (models 31S 31D 31Y 41S 41D 41Y 42M 51S 51D 51Y 21S 21D 21Y 32S 32D 32Y CTO 51U 12U 21U 21A 21T 25U 25F 31U 32U 33A 33T 34M 35M 36U 36F 41U 41F 43B 43H 51U 51F 23M 26U 13U A1U A1F A1S A1L A1D A1Y 14V 15A 15G 15T 39S 39L 39D 39Y 3AM 44S 44L 44D 44Y 45S 45D 45Y 52S 52L 52D 52Y 61A 61Q 61T 62S 62L 62D 62Y 63U 63S B3K 2DS 2DY 3BS 3BY B4M B5M B6M 2EU 2EF)	25P4726	*
Speaker Power brick - US, CE, CF, LA, Taiwan (models 31S 31D 31Y 41S 41D 41Y 51S 51D 51Y 21S 21D 21Y 32S 32D 32Y CTO-U 51U 12U 21U 21T 25U 25F 31U 32U 33T 36U 36F 41U 41F 51U 51F CAU CBU CCU CDU CFU 26U 13U A1U A1F A1S A1L A1D A1Y 14V 15T 39S 39L 39D 39Y 44S 44L 44D 44Y 45S 45D 45Y 52S 52L 52D 52Y 61T 62S 62L 62D 62Y 63U 63S 2DS 2DY 3BS 3BY 2EU 2EF)	10K2587	*
Speaker Power brick - UK, Hong Kong (3 prong) (models CTO-G 43B 43H 15G)	25P5703	*
Speaker Power brick - Europe (non-UK) (models CTO-G 15G)	25P5704	*
Speaker Power brick (newer 2 prong) - China, Thailand, Phillipines (models 43B 43H)	10K2597	*

8423 FRUs	FRU#	CRU
Speaker Power brick - ANZ (models 42M 21A 33A 34M 35M 23M 15A 3AM 61A B4M B5M B6M)	25P5705	*
Speaker Power brick - India, South Africa (models 61Q)	32P3181	*
Speaker Power brick - Argentina (models 31S 31Y 41S 41Y 51S 51Y 21S 21Y 32S 32Y A1S A1L A1Y 39S 39L 39Y 44S 44L 44Y 45S 45Y 52S 52L 52Y 62S 62L 62Y 63S 2DS 2DY 3BS 3BY)	01R2253	*
Speaker Power brick - Korea (models B3K)	88P7687	*
RJ11 Connector adapter (Spain, Ireland) (all 'G' models)	60H6043	*
RJ11 Connector adapter (Austria) (all 'G' models)	60H6045	*
RJ11 Connector adapter (Belgium) (all 'G' models)	60H6046	*
RJ11 Connector adapter (Denmark) (all 'G' models)	60H6047	*
RJ11 Connector adapter (Norway/Finland) (all 'G' models)	60H6048	*
RJ11 Connector adapter (France) (all 'G' models)	60H6049	*
RJ11 Connector adapter (Germany) (all 'G' models)	60H6050	*
RJ11 Connector adapter (UK,NZ, HK) (all 'G' models)	60H6051	*
RJ11 Connector adapter (Italy) (all 'G' models)	60H6052	*
RJ11 Connector adapter (Netherlands) (all 'G' models)	60H6053	*
RJ11 Connector adapter (Sweden) (all 'G' models)	60H6054	*
RJ11 Connector adapter (Switzerland) (all 'G' models)	60H6055	*

8423 Keyboards (Preferred Pro Fullsize)	FRU#	CRU
US English (models CTO 42M 12U 21U 21A 31U 33A 34M 35M 23M 26U 13U 27G 71G 72G 15A 15G 37G 38G 3AM 61A 61Q B1G D1G E1G F1G 73G 74G 75G 76G 77G B4M B5M B6M)	89P8300	*
Arabic (models CTO-G 27G 71G 72G 15G 37G 38G B1G D1G E1G F1G 73G 74G 75G 76G 77G)	89P8301	*
Belgian/French (models CTO-G 27G 71G 72G 15G 37G 38G B1G D1G E1G F1G 73G 74G 75G 76G 77G)	89P8302	*
Belgian/UK (models CTO-G 27G 71G 72G 15G 37G 38G B1G D1G E1G F1G 73G 74G 75G 76G 77G)	89P8303	*
Bulgarian (models CTO-G 27G 71G 72G 15G 37G 38G B1G D1G E1G F1G 73G 74G 75G 76G 77G)	89P8305	*
Czech (models CTO-G 27G 71G 72G 15G 37G 38G B1G D1G E1G F1G 73G 74G 75G 76G 77G)	89P8307	*
Danish (models CTO-G 27G 71G 72G 15G 37G 38G B1G D1G E1G F1G 73G 74G 75G 76G 77G)	89P8308	*
Dutch (models CTO-G 27G 71G 72G 15G 37G 38G B1G D1G E1G F1G 73G 74G 75G 76G 77G)	89P8309	*
French (models CTO-G 27G 71G 72G 15G 37G 38G B1G D1G E1G F1G 73G 74G 75G 76G 77G)	89P8310	*
French Canadian 445 (models CTO-U)	89P8311	*
French Canadian 58 (models CTO-U)	89P8312	*
German (models CTO-G 27G 71G 72G 15G 37G 38G B1G D1G E1G F1G 73G 74G 75G 76G 77G)	89P8313	*

8423 Keyboards (Preferred Pro Fullsize)	FRU#	CRU
Greek (models CTO-G 27G 71G 72G 15G 37G 38G B1G D1G E1G F1G 73G 74G 75G 76G 77G)	89P8314	*
Hebrew (models CTO-G 27G 71G 72G 15G 37G 38G B1G D1G E1G F1G 73G 74G 75G 76G 77G)	89P8315	*
Hungarian (models CTO-G 27G 71G 72G 15G 37G 38G B1G D1G E1G F1G 73G 74G 75G 76G 77G)	89P8316	*
Iceland (models CTO-G 27G 71G 72G 15G 37G 38G B1G D1G E1G F1G 73G 74G 75G 76G 77G)	89P8317	*
Italian 141 (models CTO-G 27G 71G 72G 15G 37G 38G B1G D1G E1G F1G 73G 74G 75G 76G 77G)	89P8318	*
Italian 142 (models CTO-G 27G 71G 72G 15G 37G 38G B1G D1G E1G F1G 73G 74G 75G 76G 77G)	89P8319	*
Japanese (models 22J 24J 16J 17J 18J 19J 1AJ 2AJ 2BJ 2CJ 28J 29J 1BJ 1CJ 1DJ 1EJ)	89P8320	*
Korean (models B3K)	89P8321	*
LA Spanish (models 31S 31D 31Y 21S 21D 21Y 2DS 2DY 3BS 3BY CTO-L)	89P8322	*
Norwegian (models CTO-G 27G 71G 72G 15G 37G 38G B1G D1G E1G F1G 73G 74G 75G 76G 77G)	89P8323	*
Polish (models CTO-G 27G 71G 72G 15G 37G 38G B1G D1G E1G F1G 73G 74G 75G 76G 77G)	89P8324	*
Portuguese (models CTO-G 27G 71G 72G 15G 37G 38G B1G D1G E1G F1G 73G 74G 75G 76G 77G)	89P8325	*
Romanian (models CTO-G 27G 71G 72G 15G 37G 38G B1G D1G E1G F1G 73G 74G 75G 76G 77G)	89P8326	*
Russian (models CTO-G 27G 71G 72G 15G 37G 38G B1G D1G E1G F1G 73G 74G 75G 76G 77G)	89P8327	*
Russian/Cyrillic (models CTO-G 27G 71G 72G 15G 37G 38G B1G D1G E1G F1G 73G 74G 75G 76G 77G)	89P8328	*
Serbian/Cyrillic (models CTO-G 27G 71G 72G 15G 37G 38G B1G D1G E1G F1G 73G 74G 75G 76G 77G)	89P8329	*
Slovak (models CTO-G 27G 71G 72G 15G 37G 38G B1G D1G E1G F1G 73G 74G 75G 76G 77G)	89P8330	*
Spanish (models CTO-G 27G 71G 72G 15G 37G 38G B1G D1G E1G F1G 73G 74G 75G 76G 77G)	89P8331	*
Swedish/Finn (models CTO-G 27G 71G 72G 15G 37G 38G B1G D1G E1G F1G 73G 74G 75G 76G 77G)	89P8332	*
Swiss F/G (models CTO-G 27G 71G 72G 15G 37G 38G B1G D1G E1G F1G 73G 74G 75G 76G 77G)	89P8333	*
Thailand (models 21T 33T 15T 61T CTO-A)	89P8334	*
Turkish 440 (models CTO-G 27G 71G 72G 15G 37G 38G B1G D1G E1G F1G 73G 74G 75G 76G 77G)	89P8335	*
Turkish 179 (models CTO-G 27G 71G 72G 15G 37G 38G B1G D1G E1G F1G 73G 74G 75G 76G 77G)	89P8336	*
UK English (models CTO-G 27G 71G 72G 15G 37G 38G B1G D1G E1G F1G 73G 74G 75G 76G 77G)	89P8337	*
US Euro (models CTO-G 27G 71G 72G 15G 37G 38G B1G D1G E1G F1G 73G 74G 75G 76G 77G)	89P8338	*

8423 Keyboards (Preferred Pro Fullsize)	FRU#	CRU
Yugoslav/Latin (models CTO-G 27G 71G 72G 15G 37G 38G B1G D1G E1G F1G 73G 74G 75G 76G 77G)	89P8339	*

8423 Keyboards (Productivity USB)	FRU#	CRU
US English (models CTO 51U 25U 36U 41U 43H 51U 32U A1U A1L 39L 44L 52L 62L 63U 2EU)	89P8800	*
Arabic (models CTO-G)	89P8801	*
Arabic/French (models CTO-G)	89P8802	*
Belgian/French (models CTO-G)	89P8803	*
Belgian/UK (models CTO-G)	89P8804	*
Bulgarian (models CTO-G)	89P8806	*
Chinese/US (models 43B 14V CTO-A)	89P8807	*
Czech (models CTO-G)	89P8808	*
Danish (models CTO-G)	89P8809	*
Dutch (models CTO-G)	89P8810	*
French (models CTO-U)	89P8811	*
French Canadian (models CTO-U 25F 36F 41F 51F A1F 2EF)	89P8812	*
French Canadian (models CTO-U 25F 36F 41F 51F A1F 2EF)	89P8813	*
German (models CTO-G)	89P8814	*
Greek (models CTO-G)	89P8815	*
Hebrew (models CTO-G)	89P8816	*
Hungarian (models CTO-G)	89P8817	*
Iceland (models CTO-G)	89P8818	*
Italian 141 (models CTO-G)	89P8819	*
LA Spanish (models 41S 41D 41Y 51S 51D 51Y 32S 32D 32Y A1S A1D A1Y 39S 39D 39Y 44S 44D 44Y 45S 45D 45Y 52S 52D 52Y 62S 62D 62Y 63S CTO-L)	89P8822	*
Norwegian (models CTO-G)	89P8823	*
Polish (models CTO-G)	89P8824	*
Portuguese (models CTO-G)	89P8825	*
Romanian (models CTO-G)	89P8826	*
Romanian (models CTO-G)	89P8827	*
Russian/Cyrillic (models CTO-G)	89P8828	*
Serbian/Cyrillic (models CTO-G)	89P8829	*
Slovak (models CTO-G)	89P8830	*
Spanish (models CTO-G)	89P8831	*
Swedish/Finn (models CTO-G)	89P8832	*
Swiss F/G (models CTO-G)	89P8833	*
Turkish 440 (models CTO-G)	89P8835	*
Turkish 179 (models CTO-G)	89P8836	*

8423 Fingerprint Keyboards	FRU#	CRU
US English (models 7HG)	89P9000	*



8423 Fingerprint Keyboards	FRU#	CRU
Arabic (models 7HG)	89P9001	*
Arabic/French (models 7HG)	89P9002	*
Belgian/French (models 7HG)	89P9003	*
Belgian/UK (models 7HG)	89P9004	*
Bulgarian (models 7HG)	89P9006	*
Czech (models 7HG)	89P9008	*
Danish (models 7HG)	89P9009	*
Dutch (models 7HG)	89P9010	*
French (models 7HG)	89P9011	*
German (models 7HG)	89P9014	*
Greek (models 7HG)	89P9015	*
Hebrew (models 7HG)	89P9016	*
Hungarian (models 7HG)	89P9017	*
Iceland (models 7HG)	89P9018	*
Italian 141 (models 7HG)	89P9019	*
Japanese (models 78J 79J A2J A3J 7AJ 7BJ 7CJ 7DJ 1FJ 1GJ 1HJ 1JJ)	89P9020	*
Norwegian (models)	89P9023	*
Polish (models 7HG)	89P9024	*
Portuguese (models)	89P9025	*
Romanian 096 (models 7HG)	89P9027	*
Romanian 446 (models 7HG)	89P9026	*
Russian/Cyrillic (models 7HG)	89P9028	*
Serbian/Cyrillic (models 7HG)	89P9029	*
Slovak (models 7HG)	89P9030	*
Spanish (models 7HG)	89P9031	*
Swedish/Finn (models 7HG)	89P9032	*
Swiss F/G (models 7HG)	89P9033	*
Turkish 440 (models 7HG)	89P9035	*
Turkish 179 (models 7HG)	89P9036	*
UK English (models 7HG)	89P9037	*
US Euro (models 7HG)	89P9038	*
Yugoslav/Latin (models 7HG)	89P9039	*

8423 Power Cords	FRU#	CRU
Power cord (models 31S 31D 41S 41D 51S 51D 21S 21D 32S 32D 51U 12U 21U 21A 21T 25U 25F 31U 32U 33A 33T 36U 36F 41U 41F 51U 51F CAU CBU CCU CDU CFU 26U 13U 27G 71G 72G A1U A1F A1S A1D 14V 15A 15G 15T 37G 38G 39S 39D 44S 44D 45S 45D 52S 52D 61A 61T 62S 62D 63U 63S CGU B1G D1G E1G F1G 73G 74G 75G 76G 77G 2DS 3BS 2EU 2EF 7HG)	6952301	*
Power cord (ANZ) (models 42M 34M 35M 23M 3AM B4M B5M B6M)	13F9939	*
Power cord (EMEA, ANZ, ASEAN Eng, Korea) (models 27G 71G 72G 15G 37G 38G B1G D1G E1G F1G 73G 74G 75G 76G 77G B3K 7HG)	13F9978	*

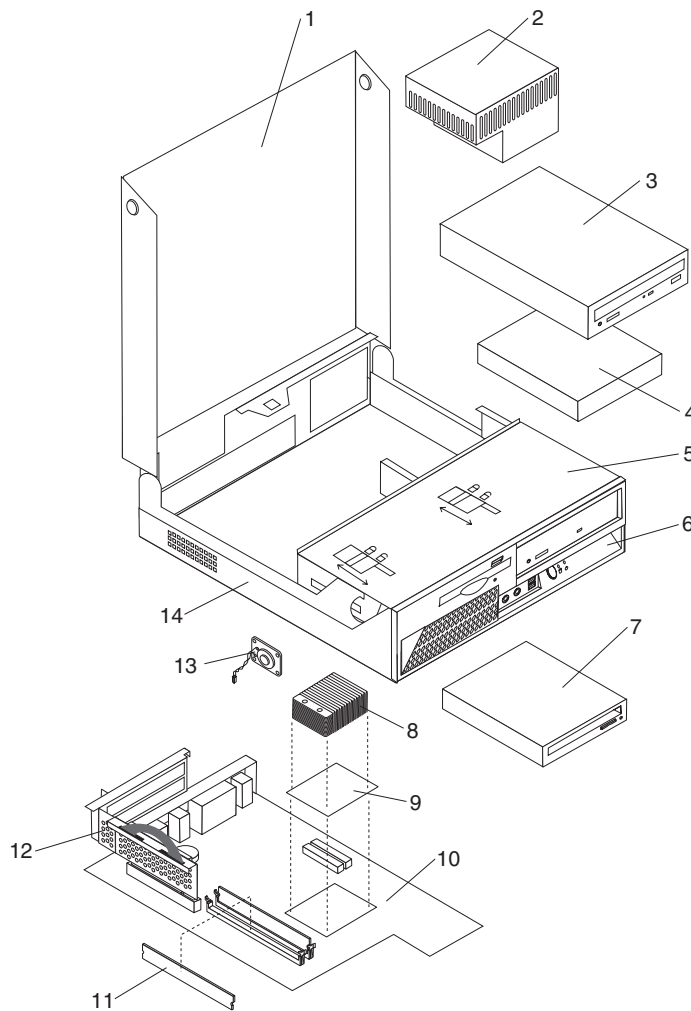
8423 Power Cords	FRU#	CRU
Power cord (EMEA, ANZ, ASEAN Eng, HK Eng) (models CTO-G 43H 27G 71G 72G 15G 37G 38G B1G D1G E1G F1G 73G 74G 75G 76G 77G 7HG)	14F0032	*
Power cord (EMEA) (models CTO-G 27G 71G 72G 15G 37G 38G B1G D1G E1G F1G 73G 74G 75G 76G 77G 7HG)	14F0086	*
Power cord (EMEA, ANZ, ASEAN Eng) (models CTO-G 27G 71G 72G 15G 37G 38G B1G D1G E1G F1G 73G 74G 75G 76G 77G 7HG)	14F0014	*
Power cord (EMEA) (models CTO-G 27G 71G 72G 15G 37G 38G B1G D1G E1G F1G 73G 74G 75G 76G 77G 7HG)	14F0050	*
Power cord (EMEA) (models CTO-G 27G 71G 72G 15G 37G 38G B1G D1G E1G F1G 73G 74G 75G 76G 77G 7HG)	13F9996	*
Power cord (EMEA, LA) (models 31S 31D 31Y 41S 41D 41Y 51S 51D 51Y 21S 21D 21Y 32S 32D 32Y 27G 71G 72G A1S A1D A1Y 15G 37G 38G 39S 39D 39Y 44S 44D 44Y 45S 45D 45Y 52S 52D 52Y 62S 62D 62Y 63S A1L 39L 44L 52L 62L B1G D1G E1G F1G 73G 74G 75G 76G 77G 2DS 2DY 3BS 3BY 7HG)	14F0068	*
Power cord (APU) (models 31Y 41Y 51Y 21Y 32Y A1Y 39Y 44Y 45Y 52Y 62Y 2DY 3BY)	36L8879	*
Power cord (Japan) (models 78J 79J A2J A3J 7AJ 7BJ 7CJ 7DJ 1FJ 1GJ 1HJ 1JJ)	1838576	*
Power cord (China, HK) (models 43B 43H)	02K0545	*
Power cord (India) (models 15Q 61Q)	49P2078	*

8423 Windows XP Pro Recovery CDs	FRU #	CRU
US (models 27G 71G 72G 29A 37G 38G)	39J6597	*
FR (models 27G 71G 72G 37G 38G B1G D1G E1G F1G 73G 74G 75G 76G 77G 7HG)	39J6598	*
GR (models 27G 71G 72G 37G 38G B1G D1G E1G F1G 73G 74G 75G 76G 77G 7HG)	39J6599	*
IT (models 27G 71G 72G 37G 38G B1G D1G E1G F1G 73G 74G 75G 76G 77G 7HG)	39J6601	*
SP (models 27G 71G 72G 37G 38G B1G D1G E1G F1G 73G 74G 75G 76G 77G 7HG)	39J6600	*
DK (models 27G 71G 72G 37G 38G B1G D1G E1G F1G 73G 74G 75G 76G 77G 7HG)	39J6604	*
NL (models 27G 71G 72G 37G 38G B1G D1G E1G F1G 73G 74G 75G 76G 77G 7HG)	39J6607	*
AE (models 27G 71G 72G 37G 38G B1G D1G E1G F1G 73G 74G 75G 76G 77G 7HG)	39J6611	*
SV (models 27G 71G 72G 37G 38G B1G D1G E1G F1G 73G 74G 75G 76G 77G 7HG)	39J6603	*
HE (models 27G 71G 72G 37G 38G B1G D1G E1G F1G 73G 74G 75G 76G 77G 7HG)	39J6608	*
FI (models 27G 71G 72G 37G 38G B1G D1G E1G F1G 73G 74G 75G 76G 77G 7HG)	39J6605	*
NO (models 27G 71G 72G 37G 38G B1G D1G E1G F1G 73G 74G 75G 76G 77G 7HG)	39J6606	*
PL (models 27G 71G 72G 37G 38G B1G D1G E1G F1G 73G 74G 75G 76G 77G 7HG)	39J6609	*
PO (models 27G 71G 72G 37G 38G B1G D1G E1G F1G 73G 74G 75G 76G 77G 7HG)	39J6615	*
RU (models 27G 71G 72G 37G 38G B1G D1G E1G F1G 73G 74G 75G 76G 77G 7HG)	41D1198	*
RE (models 27G 71G 72G 37G 38G B1G D1G E1G F1G 73G 74G 75G 76G 77G 7HG)	41D1223	*
HU (models 27G 71G 72G 37G 38G B1G D1G E1G F1G 73G 74G 75G 76G 77G 7HG)	39J6614	*
CZ (models 27G 71G 72G 37G 38G B1G D1G E1G F1G 73G 74G 75G 76G 77G 7HG)	39J6610	*
TR (models 27G 71G 72G 37G 38G B1G D1G E1G F1G 73G 74G 75G 76G 77G 7HG)	39J6613	*
GK (models 27G 71G 72G 37G 38G B1G D1G E1G F1G 73G 74G 75G 76G 77G 7HG)	39J6616	*
SL (models 27G 71G 72G 37G 38G B1G D1G E1G F1G 73G 74G 75G 76G 77G 7HG)	39J6617	*
JP (models 17J 18J 2AJ 29J 1DJ 1EJ 78J A2J 7AJ 7CJ 1FJ 1HJ)	30R4762	*

8423 Windows XP Pro Recovery CDs	FRU #	CRU
Multilingual 1 (models 27G 71G 72G 37G 38G B1G D1G E1G F1G 73G 74G 75G 76G 77G 7HG)	39J6215	*
Multilingual 2 (models 27G 71G 72G 37G 38G B1G D1G E1G F1G 73G 74G 75G 76G 77G 7HG)	39J6216	*

8423 Windows XP Home Recovery CDs	FRU#	CRU
US/UK/AP/TH (models 42M 51U 12U 21U 21A 21T 25U 31U 32U 33A 33T 34M 35M 36U 41U 43H 51U CAU CBU CCU CDU CFU 23M 26U 13U A1U A1L 15A 15G 15T 39L 3AM 44L 52L 61A 61Q 61T 62L 63U B4M B5M B6M 2EU)	39J6765	*
FR/CF (models 25F 36F 41F 51F A1F 15G 2EU)	39J6766	*
GR (models 15G)	39J6767	*
IT (models 15G)	39J6769	*
SP/LA (models 31S 31D 31Y 41S 41D 41Y 51S 51D 51Y 21S 21D 21Y 32S 32D 32Y A1S A1D A1Y 39S 39D 39Y 44S 44D 44Y 45S 45D 45Y 52S 52D 52Y 62S 62D 62Y 63S 15G 2DS 2DY 3BS 3BY)	39J6768	*
IT (models 15G)	39J6769	*
SV (models 15G)	39J6771	*
DK (models 15G)	39J6772	*
NL (models 15G)	39J6775	*
AE (models 15G)	39J6779	*
HE (models 15G)	39J6776	*
FI (models 15G)	39J6773	*
NO (models 15G)	39J6774	*
PL (models 15G)	39J6777	*
PO (models 15G)	39J6783	*
RU (models 15G)	41D1204	*
RE (models 15G)	41D1241	*
HU (models 15G)	39J6782	*
CZ (models 15G)	39J6778	*
TR (models 15G)	39J6781	*
GK (models 15G)	39J6784	*
SL (models 15G)	39J6785	*
Japan (models 22J 24J 16J 19J 1AJ 2BJ 2CJ 28J 1BJ 1CJ 79J A3J 7BJ 7DJ 1GJ 1JJ)	30R4726	*
Taiwan (model 14V)	30R4712	*
Hong Kong (model 43B)	30R4719	*
Korean (model B3K)	30R4698	*

# Machine Type 8424



Item #	8424 FRUs	FRU#	CRU
1	Cover (all models)	26K1217	**
2	Power Supply (225 Watt) (models CTO 11U 21U 71G 72G 73G 74G CAU CBU CCU 25M 32M 77G 78G 79G 7AG A1M 33M 34M 7BG 7DG 7EG 7FG A2M A3M 36U 37U 3DU 3AM 3BM 3CM 7GG 7HG 7JG 7KG 7LG C1U C2U C3U A4J A5J A6J A7J A8J A9J AAJ 12J 13J 14J 15J 16J 3EJ 3FJ)	24R2567	**
2	Power Supply (225 Watt) (China) (models 23C 31C CTO-A CTO-L 38C 39C)	24R2570	**
3	CD-ROM Drive 48X - Black w/o jack & vol (models 11U 21U CTO)	71P7371	*
3	CD-ROM Drive 48X - Black w/o jack & vol (models 11U 21U CTO)	71P7375	*
3	CD-ROM Drive 48X - Black w/o jack & vol (models 11U 21U CTO)	71P7385	*
3	CD-ROM Drive 48X - Black w/o jack & vol (models 11U 21U CTO)	71P7377	*
3	CD-ROM Drive 48X - Black w/o jack & vol (models CTO)	39M3507	*
3	CD-ROM Drive 48X - Black w/o jack & vol (models CTO)	39M3511	*
3	CD-ROM Drive 48X - Black w/o jack & vol (models CTO)	26K5445	*
3	CD-ROM Drive 48X - Black w/o jack & vol (models CTO A2M 36U 37U 3DU A4J A5J A7J A8J 12J 13J 14J)	40Y8807	*
3	DVD-ROM 16X/48X - Black (models 23C 71G 73G CTO 79G 7AG 7BG)	33P3237	*

Item #	8424 FRUs	FRU#	CRU
3	DVD-ROM 16X/48X - Black (models 23C 71G 73G CTO 79G 7AG 7BG)	71P7357	*
3	DVD-ROM 16X/48X - Black (models 23C 71G 73G CTO 79G 7AG 7BG)	26K5385	*
3	DVD-ROM 16X/48X - Black (models 23C 71G 73G CTO 79G 7AG 7BG)	26K5435	*
3	DVD-ROM 16X/48X - Black (models 7BG CTO)	39M3513	*
3	DVD-ROM 16X/48X - Black (models 7BG CTO)	39M3515	*
3	DVD-ROM 16X/48X - Black (models 7BG CTO)	39M3517	*
3	DVD-ROM 16X/48X - Black (models CTO 38C 7GG 7KG)	40Y8803	*
3	DVD-ROM 16X/48X - Black (models CTO 38C 7GG 7KG)	40Y8811	*
3	DVD-ROM 16X/48X - Black (models CTO 38C 7GG 7KG)	40Y8935	*
3	DVD-ROM/CD-RW Combo Drive (48x/32x/48x/16x) (models 31C 72G 74G CTO 77G 78G 7DG 7EG 7FG)	26K5379	*
3	DVD-ROM/CD-RW Combo Drive (48x/32x/48x/16x) (models 31C 72G 74G CTO 77G 78G 7DG 7EG 7FG)	26K5381	*
3	Universal Combo Drive (48x/24x/48x/16x) -- optional to 26K5379 and 26K5381 (models 31C 72G 74G CTO 77G 78G)	26K5390	*
3	CD-RW Drive (48X/32X/48X) (models CTO A1M 33M A3M 3BM)	71P7347	*
3	CD-RW Drive (48X/32X/48X) (models CTO A1M 33M A3M 3BM)	71P7349	*
3	CD-RW Drive (48X/32X/48X) (models CTO A1M 33M A3M 3BM)	26K5401	*
3	CD-RW Drive (48X/32X/48X) (models CTO A3M 3BM)	40Y8901	*
3	CD-RW Drive (48X/32X/48X) (models CTO A3M 3BM)	40Y8937	*
3	DVD-ROM/CD-RW Combo Drive (48x/32x/48x/16x) (models CTO 77G 78G 7DG 7EG 7FG)	26K5429	*
3	DVD-ROM/CD-RW Combo Drive (48x/32x/48x/16x) (models 7DG 7EG 7FG CTO)	39M3539	*
3	DVD-ROM/CD-RW Combo Drive (48x/32x/48x/16x) (models CTO 39C 7HG 7JG 7LG A6J A9J AAJ 15J 16J 3EJ 3FJ)	40Y8781	*
3	DVD-ROM/CD-RW Combo Drive (48x/32x/48x/16x) (models CTO 39C 7HG 7JG 7LG A6J A9J AAJ 15J 16J 3EJ 3FJ)	40Y8903	*
3	DVD-ROM/CD-RW Combo Drive (48x/32x/48x/16x) (models CTO 39C 7HG 7JG 7LG A6J A9J AAJ 15J 16J 3EJ 3FJ)	40Y8919	*
3	Universal Rambo drive (Black) (models CTO 25M)	26K5377	*
3	Multi-Burner Plus (Rambo IV) (models CTO 25M 32M)	26K5383	*
3	Multi-Burner Plus (Rambo VI) (models CTO 34M)	26K5441	*
3	Multi-Burner Plus (Rambo VI) (models CTO 34M)	39M3519	*
3	Multi-Burner Plus (Rambo VI) (models CTO 3AM 3CM)	40Y8799	*
3	Multi-Burner Plus (Rambo VI) (models CTO 3AM 3CM)	40Y8909	*
4	HDD 40GB 7200rpm Serial ATA (models 11U 21U 71G 73G 75G)	71P7312	*
4	HDD 40GB 7200rpm Serial ATA (models 11U 21U 71G 73G CTO 36U 37U A4J A5J A6J A7J A8J A9J AAJ)	40Y8760	*
4	HDD 40GB 7200rpm Serial ATA (models 11U 21U 71G 73G CTO 36U 37U A4J A5J A6J A7J A8J A9J AAJ)	40Y9033	*
4	HDD 80GB 7200rpm Serial ATA (models 23C 72G 74G 77G 78G 79G 7AG CTO A1M 33M 34M 7BG 7DG 7EG 7FG)	71P7293	*

Item #	8424 FRUs	FRU#	CRU
4	HDD 80GB 7200rpm Serial ATA (models 23C 72G 74G 77G 78G 79G 7AG CTO A1M 33M 34M 7BG 7DG 7EG 7FG A2M A3M 38C 3DU 3BM 3CM 7GG 7HG 7JG 7KG 7LG 12J 13J 14J 15J 16J 3EJ 3FJ)	40Y8761	*
4	HDD 80GB 7200rpm Serial ATA (models 23C 72G 74G 77G 78G 79G 7AG CTO A1M 33M 34M 7BG 7DG 7EG 7FG A2M A3M 38C 3DU 3BM 3CM 7GG 7HG 7JG 7KG 7LG 12J 13J 14J 15J 16J 3EJ 3FJ)	40Y9034	*
4	HDD 160GB 7200rpm Serial ATA (models 31C 25M 32M)	71P7297	*
4	HDD 160GB 7200rpm Serial ATA (models 31C 25M 32M CTO 39C 3AM)	40Y8762	*
5	Rotating bay assembly (all models)	03R0285	*
6	Plastic bezel kit (all models)	26K1214	*
7	Diskette drive, Half Inch (slim) 1.44MB 3 Mode (models 11U 21U 23C 31C 71G 72G 73G 74G 32M 77G 78G 79G 7AG CTO A1M 33M 34M 7BG 7DG 7EG 7FG)	36L8645	*
7	Diskette drive, Half Inch (slim) 1.44MB 3 Mode (models A1M 33M 34M 7BG 7DG 7EG 7FG)	39M0107	*
7	Diskette drive, Half Inch (slim) 1.44MB 3 Mode (models A1M 33M 34M 7BG 7DG 7EG 7FG)	39M0105	*
7	Diskette drive, Half Inch (slim) 1.44MB 3 Mode (models A1M 33M 34M 7BG 7DG 7EG 7FG CTO A2M A3M 36U 37U 38C 3DU 39C 3BM 3CM 7GG 7HG 7JG 7KG 7LG A4J A5J A6J A7J A8J A9J AAJ 12J 13J 14J 15J 16J 3EJ 3FJ)	40Y9111	*
7	Diskette drive, Half Inch (slim) 1.44MB 3 Mode (models A1M 33M 34M 7BG 7DG 7EG 7FG CTO A2M A3M 36U 37U 38C 3DU 39C 3BM 3CM 7GG 7HG 7JG 7KG 7LG A4J A5J A6J A7J A8J A9J AAJ 12J 13J 14J 15J 16J 3EJ 3FJ)	40Y9109	*
8	Heat Sink, Side Car, P4 (all models)	26K1207	**
9	2.53 GHZ Celeron Prescott P4 (models CTO)	29R7203	**
9	2.66 GHZ Celeron Prescott P4 (models CTO)	29R7205	**
9	2.8 GHZ Celeron Prescott P4 (models CTO)	29R7207	**
9	2.93 GHZ Celeron Prescott P4 (models CTO A1M)	29R7209	**
9	3.06 GHZ Prescott P4 (models CTO)	29R8205	**
9	2.53GHZ Celeron Prescott P4 326 (models CTO)	41D0515	**
9	2.66 GHZ Celeron Prescott P4 331 (models CTO A4J A5J A6J A7J A8J A9J AAJ)	41D0517	**
9	2.8 GHZ Celeron Prescott P4 336 (models CTO A2M A3M)	41D0519	**
9	2.93 GHZ Celeron Prescott P4 (341 models CTO)	41D0521	**
9	3.06 GHZ Celeron Prescott P4 346 (models CTO)	41D0523	**
9	3.2 GHZ Celeron Prescott P4 351 (models CTO)	41D0525	**
9	2.66 GHZ Prescott P4 (models CTO)	29R7211	**
9	2.93 GHZ Prescott P4 (models CTO)	29R7213	**
9	2.93 GHZ Prescott P4 (models CTO)	41D0670	**
9	2.66 GHZ Prescott P4 (models CTO 12J 13J 14J 15J 16J)	41D0671	**
9	2.93 GHZ Prescott P4 (models CTO)	41D0672	**
9	2.8 GHZ Prescott P4 (models 11U CTO)	19R0489	**
9	3.06 GHZ Prescott P4 (models CTO)	19R0490	**
9	3.2 GHZ Prescott P4 (models 31C 73G 74G CCU CTO 32M 33M 34M 7DG)	19R0491	**
9	3.4 GHZ Prescott P4 (models CTO)	19R0492	**
9	3.4 GHZ Prescott P4 (models CTO 36U C1U)	41D0708	**

Item #	8424 FRUs	FRU#	CRU
9	3.0GHZ Prescott P4 531 (models CTO 37U 38C 3DU 7GG C2U 3EJ 3FJ)	41D0527	**
9	3.2GHZ Prescott P4 541 (models CTO 39C 7HG C3U)	41D0529	**
9	3.4GHZ Prescott P4 551 (models CTO)	41D0531	**
9	3.0 GHZ Prescott P4 (models 77G 7AG CTO 7EG 3AM 3BM 3CM 7JG 7KG)	39J6583	**
9	3.2 GHZ Prescott P4 (models 78G CTO 7FG 7LG)	39J6585	**
9	3.4 GHZ Prescott P4 (models CTO)	39J6587	**
10	System Board (Intel 915G) 10/1000 w/POV (models CTO 11U 21U 23C 31C 71G 72G 73G 74G CAU CBU CCU 25M 32M 77G 78G 79G 7AG A1M 33M 34M 7BG 7DG 7EG 7FG 3DU 3AM)	41X2837	**
10	System Board (Intel 915GV) 10/1000 w/POV (models A1M 33M 34M 7BG 7DG 7EG 7FG A2M A3M 36U 37U 38C 39C 3BM 3CM 7GG 7HG 7JG 7KG 7LG C1U C2U C3U A4J A5J A6J A7J A8J A9J AAJ 12J 13J 14J 15J 16J 3EJ 3FJ)	41X2838	**
11	256MB PC2 3200 Memory (DDR1) (models 11U 21U 23C 31C 71G 73G 79G 7AG CTO 7BG A2M 36U 37U 38C 39C 7GG 7JG 7KG A4J A5J A6J 12J)	73P2683	*
11	512MB PC2 3200 Memory (DDR1) (models 72G 74G 25M 32M 77G 78G CTO A1M 33M 34M 7DG 7EG 7FG A3M 3DU 3AM 3BM 3CM 7HG 7LG A7J A8J A9J AAJ 13J 14J 15J 16J 3EJ 3FJ)	73P2684	*
12	Riser card assembly (all models)	41A7730	*
13	Speaker assembly (all models except 38C 39C)	03R0294	*
14	Chassis (all models)	26K1218	**

The FRUs listed in the following table are not illustrated.

8424 FRUs	FRU#	CRU
Tool-less hardfile tray (all models)	03R0302	*
Cable, PWR/LED (all models)	03R0283	*
Lock Assembly (Random Keyed) (models CTO 71G 72G 73G 74G 77G 78G 79G 7AG 7EG 7FG 3DU 7JG 7KG 7LG)	03R0287	*
Internal plastic kit (all models)	03R0289	*
Cable, optical 1-drop ATA 100 (all models)	03R0291	*
Cable, 2-drop ATA 100 (all models)	03R0292	*
Cable, SATA (all models)	03R0293	*
Planar tray (all models)	03R0295	**
Fan assembly 60 x 20 mm (all models)	03R0296	*
Cable, Diskette drive (all models)	03R0297	*
C2 Cable (Squall) (models CTO 71G 72G 73G 74G 77G 78G 79G 7AG 7EG 7FG 3DU 7JG 7KG 7LG)	09K9827	*
Shield, 5.25 EMC (all models)	19K5548	*
Floor stand and vertical deflector (all models)	74P0404	*
System board I/O Shield Kit (all models)	41A7703	*
Battery (all models)	33F8354	*
Universal Adapter Bracket 5.25 to 3.5-inch	32P4743	*
Mouse, PS/2 - 2-button (Black) (models CTO)	24P0383	*
Mouse, PS/2 - 3- Button (Ball) Wheel (models CTO))	24P0491	*

8424 FRUs	FRU#	CRU
Mouse, optical wheel (models 11U 21U 23C 31C 71G 72G 73G 74G 25M 32M 77G 78G 79G 7AG CTO A1M 33M 34M 7BG 7DG 7EG 7FG A2M A3M 36U 37U 38C 3DU 39C 3AM 3BM 3CM 7GG 7HG 7JG 7KG 7LG A4J A5J A6J A7J A8J A9J AAJ 12J 13J 14J 15J 16J 3EJ 3FJ)	89P5089	*
Fan assembly (all models)	26K1210	*
Planar tray, Lycoming (all models)	26K1213	**
Heat Sink Retention Module Asm (all models)	26K1206	**
PCI Modem Card (Soft), ATX V.90 (models 23C 31C 38C 39C)	22P7943	*
PCI Modem Card (Soft), ATX V.90 (models 38C 39C)	29R9729	*
PCI-E DVI-D Connection Adapter (models 25M CTO 32M 3AM)	19R2374	*
1394 Firewire PCI LP (ATX) (models 32M 3AM)	73P2608	*
Speakers, Jazz Infinity Active T1 (Black) (models 23C 31C 38C 39C)	25P4726	*
Speaker Power brick (newer 2 prong) - China, Thailand, Phillipines (models 23C 31C 38C 39C)	10K2597	*
RJ11 connector adapter (Spain, Ireland) (All 'G' models)	60H6043	*
RJ11 connector adapter (Austria) (All 'G' models)	60H6045	*
RJ11 connector adapter (Belgium) (All 'G' models)	60H6046	*
RJ11 connector adapter (Denmark) (All 'G' models)	60H6047	*
RJ11 connector adapter (Norway, Finland) (All 'G' models)	60H6048	*
RJ11 connector adapter (France) (All 'G' models)	60H6049	*
RJ11 connector adapter (Germany) (All 'G' models)	60H6050	*
RJ11 connector adapter (UK, NZ, HK) (All 'G', 'M', 'B', 'H' models)	60H6051	*
RJ11 connector adapter (Italy) (All 'G' models)	60H6052	*
RJ11 connector adapter (Netherlands) (All 'G' models)	60H6053	*
RJ11 connector adapter (Sweden) (All 'G' models)	60H6054	*
RJ11 connector adapter (Switzerland) (All 'G' models)	60H6055	*

8424 Keyboards (Preferred Pro Fullsize)	FRU#	CRU
US English (models 11U 21U 71G 72G 73G 74G 25M 32M 77G 78G 79G 7AG CTO A1M 33M 34M 7BG 7DG A2M A3M 36U 37U 3DU 3AM 3BM 3CM 7GG 7HG 7JG 7KG 7LG 38C 39C)	89P8300	*
Arabic (models 71G 72G 73G 74G 77G 78G 79G 7AG CTO-G 7BG 7DG 7GG 7HG 7JG 7KG 7LG)	89P8301	*
Belgian/French (models 71G 72G 73G 74G 77G 78G 79G 7AG CTO-G 7BG 7DG 7GG 7HG 7JG 7KG 7LG)	89P8302	*
Belgian/UK (models 71G 72G 73G 74G 77G 78G 79G 7AG CTO-G 7BG 7DG 7GG 7HG 7JG 7KG 7LG)	89P8303	*
Bulgarian (models 71G 72G 73G 74G 77G 78G 79G 7AG CTO-G 7BG 7DG 7GG 7HG 7JG 7KG 7LG)	89P8305	*
Czech (models 71G 72G 73G 74G 77G 78G 79G 7AG CTO-G 7BG 7DG 7GG 7HG 7JG 7KG 7LG)	89P8307	*
Danish (models 71G 72G 73G 74G 77G 78G 79G 7AG CTO-G 7BG 7DG 7GG 7HG 7JG 7KG 7LG)	89P8308	*
Dutch (models 71G 72G 73G 74G 77G 78G 79G 7AG CTO-G 7BG 7DG 7GG 7HG 7JG 7KG 7LG)	89P8309	*



8424 Keyboards (Preferred Pro Fullsize)	FRU#	CRU
French (models 71G 72G 73G 74G 77G 78G 79G 7AG CTO-G 7BG 7DG 7GG 7HG 7JG 7KG 7LG)	89P8310	*
French Canadian 445 (models CTO-U)	89P8311	*
French Canadian 58 (models CTO-U)	89P8312	*
German (models 71G 72G 73G 74G 77G 78G 79G 7AG CTO-G 7BG 7DG 7GG 7HG 7JG 7KG 7LG)	89P8313	*
Greek (models 71G 72G 73G 74G 77G 78G 79G 7AG CTO-G 7BG 7DG 7GG 7HG 7JG 7KG 7LG)	89P8314	*
Hebrew (models 71G 72G 73G 74G 77G 78G 79G 7AG CTO-G 7BG 7DG 7GG 7HG 7JG 7KG 7LG)	89P8315	*
Hungarian (models 71G 72G 73G 74G 77G 78G 79G 7AG CTO-G 7BG 7DG 7GG 7HG 7JG 7KG 7LG)	89P8316	*
Iceland (models 71G 72G 73G 74G 77G 78G 79G 7AG CTO-G 7BG 7DG 7GG 7HG 7JG 7KG 7LG)	89P8317	*
Italian 141 (models 71G 72G 73G 74G 77G 78G 79G 7AG CTO-G 7BG 7DG 7GG 7HG 7JG 7KG 7LG)	89P8318	*
Italian 142 (models 71G 72G 73G 74G 77G 78G 79G 7AG CTO-G 7BG 7DG 7GG 7HG 7JG 7KG 7LG)	89P8319	*
Japanese (models A4J A5J A6J A7J A8J A9J AAJ 12J 13J 14J 15J 16J 3EJ 3FJ)	89P8320	*
Norwegian (models 71G 72G 73G 74G 77G 78G 79G 7AG CTO-G 7BG 7DG 7GG 7HG 7JG 7KG 7LG)	89P8323	*
Polish (models 71G 72G 73G 74G 77G 78G 79G 7AG CTO-G 7BG 7DG 7GG 7HG 7JG 7KG 7LG)	89P8324	*
Portuguese (models 71G 72G 73G 74G 77G 78G 79G 7AG CTO-G 7BG 7DG 7GG 7HG 7JG 7KG 7LG)	89P8325	*
Romanian (models 71G 72G 73G 74G 77G 78G 79G 7AG CTO-G 7BG 7DG 7GG 7HG 7JG 7KG 7LG)	89P8326	*
Russian (models 71G 72G 73G 74G 77G 78G 79G 7AG CTO-G 7BG 7DG 7GG 7HG 7JG 7KG 7LG)	89P8327	*
Russian/Cyrillic (models 71G 72G 73G 74G 77G 78G 79G 7AG CTO-G 7BG 7DG 7GG 7HG 7JG 7KG 7LG)	89P8328	*
Serbian/Cyrillic (models 71G 72G 73G 74G 77G 78G 79G 7AG CTO-G 7BG 7DG 7GG 7HG 7JG 7KG 7LG)	89P8329	*
Slovak (models 71G 72G 73G 74G 77G 78G 79G 7AG CTO-G 7BG 7DG 7GG 7HG 7JG 7KG 7LG)	89P8330	*
Spanish (models 71G 72G 73G 74G 77G 78G 79G 7AG CTO-G 7BG 7DG 7GG 7HG 7JG 7KG 7LG)	89P8331	*
Swedish/Finn (models 71G 72G 73G 74G 77G 78G 79G 7AG CTO-G 7BG 7DG 7GG 7HG 7JG 7KG 7LG)	89P8332	*
Swiss F/G (models 71G 72G 73G 74G 77G 78G 79G 7AG CTO-G 7BG 7DG 7GG 7HG 7JG 7KG 7LG)	89P8333	*
Turkish 440 (models 71G 72G 73G 74G 77G 78G 79G 7AG CTO-G 7BG 7DG 7GG 7HG 7JG 7KG 7LG)	89P8335	*
Turkish 179 (models 71G 72G 73G 74G 77G 78G 79G 7AG CTO-G 7BG 7DG 7GG 7HG 7JG 7KG 7LG)7DG 7GG 7HG 7JG 7KG 7LG)	89P8336	*
UK English (models 71G 72G 73G 74G 77G 78G 79G 7AG CTO-G 7BG 7DG 7GG 7HG 7JG 7KG 7LG)	89P8337	*

8424 Keyboards (Preferred Pro Fullsize)	FRU#	CRU
US Euro (models 71G 72G 73G 74G 77G 78G 79G 7AG CTO-G 7BG 7DG 7GG 7HG 7JG 7KG 7LG)	89P8338	*
Yugoslav/Latin (models 71G 72G 73G 74G 77G 78G 79G 7AG CTO-G 7BG 7DG 7GG 7HG 7JG 7KG 7LG)	89P8339	*

8424 Keyboards (Productivity USB)	FRU#	CRU
US English (models 23C 31C)	89P8800	*

8424 Fingerprint Keyboards	FRU#	CRU
US English (models 7EG 7FG)	89P9000	*
Arabic (models 7EG 7FG)	89P9001	*
Arabic/French (models 7EG 7FG)	89P9002	*
Belgian/French (models 7EG 7FG)	89P9003	*
Belgian/UK (models 7EG 7FG)	89P9004	*
Bulgarian (models 7EG 7FG)	89P9006	*
Czech (models 7EG 7FG)	89P9008	*
Danish (models 7EG 7FG)	89P9009	*
Dutch (models 7EG 7FG)	89P9010	*
French (models 7EG 7FG)	89P9011	*
German (models 7EG 7FG)	89P9014	*
Greek (models 7EG 7FG)	89P9015	*
Hebrew (models 7EG 7FG)	89P9016	*
Hungarian (models 7EG 7FG)	89P9017	*
Iceland (models 7EG 7FG)	89P9018	*
Italian 141 (models 7EG 7FG)	89P9019	*
Norwegian (models)	89P9023	*
Polish (models 7EG 7FG)	89P9024	*
Portuguese (models)	89P9025	*
Romanian 096 (models 7EG 7FG)	89P9027	*
Romanian 446 (models 7EG 7FG)	89P9026	*
Russian/Cyrillic (models 7EG 7FG)	89P9028	*
Serbian/Cyrillic (models 7EG 7FG)	89P9029	*
Slovak (models 7EG 7FG)	89P9030	*
Spanish (models 7EG 7FG)	89P9031	*
Swedish/Finn (models 7EG 7FG)	89P9032	*
Swiss F/G (models 7EG 7FG)	89P9033	*
Turkish 440 (models 7EG 7FG)	89P9035	*
Turkish 179 (models 7EG 7FG)	89P9036	*
UK English (models 7EG 7FG)	89P9037	*
US Euro (models 7EG 7FG)	89P9038	*
Yugoslav/Latin (models 7EG 7FG)	89P9039	*

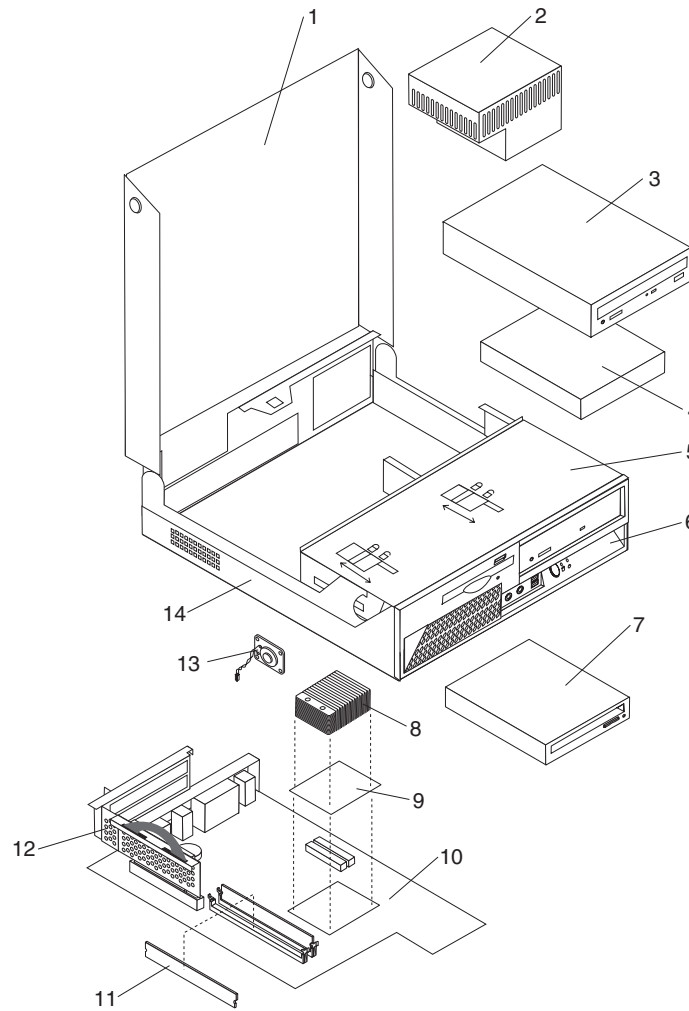
8424 Power Cords	FRU#	CRU
Power cord (models 11U 21U 71G 72G 73G 74G CAU CBU CCU 77G 78G 79G 7AG 7BG 7DG 7EG 7FG 36U 37U 3DU 7GG 7HG 7JG 7KG 7LG C1U C2U C3U)	6952301	*
Power cord (models 32M A1M 33M 34M A2M A3M 3AM 3BM 3CM)	13F9939	*
Power cord (EMEA, ANZ, ASEAN Eng, Korea) (models 71G 72G 73G 74G 77G 78G 79G 7AG 7BG 7DG 7EG 7FG 7GG 7HG 7JG 7KG 7LG)	13F9978	*
Power cord (EMEA, ANZ, ASEAN Eng, HK Eng) (models 71G 72G 73G 74G 77G 78G 79G 7AG 7BG 7DG 7EG 7FG 7GG 7HG 7JG 7KG 7LG)	14F0032	*
Power cord (EMEA) (models 71G 72G 73G 74G 77G 78G 79G 7AG 7BG 7DG 7EG 7FG 7GG 7HG 7JG 7KG 7LG)	13F9996	*
Power cord (EMEA, LA) (models 71G 72G 73G 74G 77G 78G 79G 7AG 7BG 7DG 7EG 7FG 7GG 7HG 7JG 7KG 7LG)	14F0068	*
Power cord (Japan) (models A4J A5J A6J A7J A8J A9J AAJ 12J 13J 14J 15J 16J 3EJ 3FJ)	05K2876	*
Power cord (China, HK) (models 23C 31C 38C 39C)	02K0545	*
Power cord (EMEA) (models 71G 72G 73G 74G 77G 78G 79G 7AG 7BG 7DG 7EG 7FG 7GG 7HG 7JG 7KG 7LG)	14F0086	*
Power cord (EMEA, ANZ, ASEAN Eng) (models 71G 72G 73G 74G 77G 78G 79G 7AG 7BG 7DG 7EG 7FG 7GG 7HG 7JG 7KG 7LG)	14F0014	*
Power cord (EMEA) (models 71G 72G 73G 74G 77G 78G 79G 7AG 7BG 7DG 7EG 7FG 7GG 7HG 7JG 7KG 7LG)	14F0050	*

8424 Windows XP Home Recovery CDs	FRU#	CRU
Simplified Chinese (models 23C 31C 38C 39C)	30R4705	*

8424 Windows XP Pro Recovery CDs	FRU #	CRU
US (models 11U 21U 71G 72G 73G 74G 25M 32M A1M 33M 34M A2M A3M 36U 37U 3DU 3AM 3BM 3CM)	39J6597	*
FR (models 71G 72G 73G 74G 77G 78G 79G 7AG 7BG 7DG 7EG 7FG 7GG 7HG 7JG 7KG 7LG)	39J6598	*
GR (models 71G 72G 73G 74G 77G 78G 79G 7AG 7BG 7DG 7EG 7FG 7GG 7HG 7JG 7KG 7LG)	39J6599	*
IT (models 71G 72G 73G 74G 77G 78G 79G 7AG 7BG 7DG 7EG 7FG 7GG 7HG 7JG 7KG 7LG)	39J6601	*
SP (models 71G 72G 73G 74G 77G 78G 79G 7AG 7BG 7DG 7EG 7FG 7GG 7HG 7JG 7KG 7LG)	39J6600	*
DK (models 71G 72G 73G 74G 77G 78G 79G 7AG 7BG 7DG 7EG 7FG 7GG 7HG 7JG 7KG 7LG)	39J6604	*
NL (models 71G 72G 73G 74G 77G 78G 79G 7AG 7BG 7DG 7EG 7FG 7GG 7HG 7JG 7KG 7LG)	39J6607	*
AE (models 71G 72G 73G 74G 77G 78G 79G 7AG 7BG 7DG 7EG 7FG 7GG 7HG 7JG 7KG 7LG)	39J6611	*
SV (models 71G 72G 73G 74G 77G 78G 79G 7AG 7BG 7DG 7EG 7FG 7GG 7HG 7JG 7KG 7LG)	39J6603	*
HE (models 71G 72G 73G 74G 77G 78G 79G 7AG 7BG 7DG 7EG 7FG 7GG 7HG 7JG 7KG 7LG)	39J6608	*
FI (models 71G 72G 73G 74G 77G 78G 79G 7AG 7BG 7DG 7EG 7FG 7GG 7HG 7JG 7KG 7LG)	39J6605	*

8424 Windows XP Pro Recovery CDs	FRU #	CRU
NO (models 71G 72G 73G 74G 77G 78G 79G 7AG 7BG 7DG 7EG 7FG 7GG 7HG 7JG 7KG 7LG)	39J6606	*
PL (models 71G 72G 73G 74G 77G 78G 79G 7AG 7BG 7DG 7EG 7FG 7GG 7HG 7JG 7KG 7LG)	39J6609	*
PO (models 71G 72G 73G 74G 77G 78G 79G 7AG 7BG 7DG 7EG 7FG 7GG 7HG 7JG 7KG 7LG)	39J6615	*
RU (models 71G 72G 73G 74G 77G 78G 79G 7AG 7BG 7DG 7EG 7FG 7GG 7HG 7JG 7KG 7LG)	41D1198	*
HU (models 71G 72G 73G 74G 77G 78G 79G 7AG 7BG 7DG 7EG 7FG 7GG 7HG 7JG 7KG 7LG)	39J6614	*
CZ (models 71G 72G 73G 74G 77G 78G 79G 7AG 7BG 7DG 7EG 7FG 7GG 7HG 7JG 7KG 7LG)	39J6610	*
TR (models 71G 72G 73G 74G 77G 78G 79G 7AG 7BG 7DG 7EG 7FG 7GG 7HG 7JG 7KG 7LG)	39J6613	*
GK (models 71G 72G 73G 74G 77G 78G 79G 7AG 7BG 7DG 7EG 7FG 7GG 7HG 7JG 7KG 7LG)	39J6616	*
SL (models 71G 72G 73G 74G 77G 78G 79G 7AG 7BG 7DG 7EG 7FG 7GG 7HG 7JG 7KG 7LG)	39J6617	*
JP (models A4J A5J A6J A7J A8J A9J AAJ 12J 13J 14J 15J 16J 3EJ 3FJ)	30R4762	*
Multilingual 1 (models 71G 72G 73G 74G 77G 78G 79G 7AG 7BG 7DG 7EG 7FG 7GG 7HG 7JG 7KG 7LG)	39J6215	*
Multilingual 2 (models 71G 72G 73G 74G 77G 78G 79G 7AG 7BG 7DG 7EG 7FG 7GG 7HG 7JG 7KG 7LG)	39J6216	*

# Machine Type 8425



Item #	8425 FRUs	FRU#	CRU
1	Cover (all models)	26K1217	**
2	Power Supply (225 Watt) (models 21J 22J 23J 32E 32J 33J 34J 71G 72G 31A 31T A1J A2J A3J A4J 11J 12J 13J 14M 24J 35J 73G 37M 19J 1AJ 1BJ CTO A5J A6J A7J A8J A9J AGJ AAJ ABJ ACJ ADJ AEJ AFJ B1J B2J B3J B4J BBJ BCJ B5J B6J B7J B8J B9J BAJ 1CJ 1DJ 1EJ 1GU 1HJ 1JJ 1KJ 1MJ 1NJ 1PJ 27U 28U 29J 2AJ 2BJ 2CJ 2EJ 2FJ 38U 39J 3AJ 3DJ 44J 45J 47U 48J 74U 75U 76U 77U 1RJ 2GJ 2HJ 3EJ 1VJ AHJ AJJ AKJ ALJ AMJ ANJ BDJ BEJ BFJ BGJ BHJ BJJ BKJ BLJ BMJ BNJ BPJ 1SJ 1TJ 1UJ 2JJ 2KJ 2LJ 2MJ 2NU 2NF 2PJ 2QJ 2RU 2RF 2SJ 2TU 2TF 3FU 3FF 3GA 3GT 3HU 3HF 3JJ 3KJ D2J)	24R2567	**
2	Power Supply (China) (225 Watt) (models 31Q 31B 31H 31V 15S 18S 19S 25S 36S CTO-A CTO-L 3CS 49S 3GQ)	24R2570	**
3	CD-ROM Drive 48X - Black w/o jack & vol (models 21J 23J 32E 32J 34J 71G 72G CTO A1J A2J A4J 11J 12J 24J 35J 15S 19S 19J 1AJ A5J A7J A9J AGJ AAJ ACJ ADJ AFJ B1J B3J BBJ BCJ B5J B7J B9J BAJ 1CJ 1DJ 1GU 1HJ 1JJ 1MJ 1NJ 27U 28U 29J 2AJ 2CJ 2EJ 38U 3AJ 3DJ 45J 47U 48J)	71P7371	*
3	CD-ROM Drive 48X - Black w/o jack & vol (models 21J 23J 32E 32J 34J 71G 72G CTO A1J A2J A4J 11J 12J 24J 35J 15S 19S 19J 1AJ A5J A7J A9J AGJ AAJ ACJ ADJ AFJ B1J B3J BBJ BCJ B5J B7J B9J BAJ 1CJ 1DJ 1GU 1HJ 1JJ 1MJ 1NJ 27U 28U 29J 2AJ 2CJ 2EJ 38U 3AJ 3DJ 45J 47U 48J)	71P7375	*

Item #	8425 FRUs	FRU#	CRU
3	CD-ROM Drive 48X - Black w/o jack & vol (models 21J 23J 32E 32J 34J 71G 72G CTO A1J A2J A4J 11J 12J 24J 35J 15S 19S 19J 1AJ A5J A7J A9J AGJ AAJ ACJ ADJ AFJ B1J B3J BBJ BCJ B5J B7J B9J BAJ 1CJ 1DJ 1GU 1HJ 1JJ 1MJ 1NJ 27U 28U 29J 2AJ 2CJ 2EJ 38U 3AJ 3DJ 45J 47U 48J)	71P7377	*
3	CD-ROM Drive 48X - Black w/o jack & vol (models 21J 23J 32E 32J 34J 71G 72G CTO A1J A2J A4J 11J 12J 24J 35J 15S 19S 19J 1AJ A5J A7J A9J AGJ AAJ ACJ ADJ AFJ B1J B3J BBJ BCJ B5J B7J B9J BAJ 1CJ 1DJ 1GU 1HJ 1JJ 1MJ 1NJ 27U 28U 29J 2AJ 2CJ 2EJ 38U 3AJ 3DJ 45J 47U 48J)	71P7385	*
3	CD-ROM Drive 48X - Black w/o jack & vol (models A5J A7J A9J AGJ AAJ ACJ ADJ AFJ B1J B3J BBJ BCJ B5J B7J B9J BAJ 1CJ 1DJ 1GU 1HJ 1JJ 1MJ 1NJ 27U 28U 29J 2AJ 2CJ 2EJ 38U 3AJ 3DJ 45J 47U 48J)	39M3507	*
3	CD-ROM Drive 48X - Black w/o jack & vol (models A5J A7J A9J AGJ AAJ ACJ ADJ AFJ B1J B3J BBJ BCJ B5J B7J B9J BAJ 1CJ 1DJ 1GU 1HJ 1JJ 1MJ 1NJ 27U 28U 29J 2AJ 2CJ 2EJ 38U 3AJ 3DJ 45J 47U 48J)	39M3511	*
3	CD-ROM Drive 48X - Black w/o jack & vol (models A5J A7J A9J AGJ AAJ ACJ ADJ AFJ B1J B3J BBJ BCJ B5J B7J B9J BAJ 1CJ 1DJ 1GU 1HJ 1JJ 1MJ 1NJ 27U 28U 29J 2AJ 2CJ 2EJ 38U 3AJ 3DJ 45J 47U 48J CTO)	26K5445	*
3	CD-ROM Drive 48X - Black w/o jack & vol (models A5J A7J A9J AGJ AAJ ACJ ADJ AFJ B1J B3J BBJ BCJ B5J B7J B9J BAJ 1CJ 1DJ 1GU 1HJ 1JJ 1MJ 1NJ 27U 28U 29J 2AJ 2CJ 2EJ 38U 3AJ 3DJ 45J 47U 48J CTO AHJ AJJ AKJ ALJ BDJ BEJ BFJ BJJ BKJ BLJ BMJ 1SJ 1TJ 2JJ 2KJ 2MJ 2PJ 2QJ 2RU 2RF 2TU 2TF 3HU 3HF 3JJ 3KJ 4AU 4AF ATJ AUJ AXJ AYJ APJ AQJ 1WJ 1XJ 1YJ 1ZJ D2J)	40Y8807	*
3	DVD-ROM 16X/48X - Black (models 71G 72G CTO 73G)	33P3237	*
3	DVD-ROM 16X/48X - Black (models 71G 72G CTO 73G)	71P7357	*
3	DVD-ROM 16X/48X - Black (models 71G 72G CTO 73G)	26K5385	*
3	DVD-ROM 16X/48X - Black (models CTO 73G)	26K5435	*
3	DVD-ROM 16X/48X - Black (models CTO)	40Y8803	*
3	DVD-ROM 16X/48X - Black (models CTO)	40Y8811	*
3	DVD-ROM 16X/48X - Black (models CTO)	40Y8935	*
3	CD-RW Drive (48X/32X/48X) (models CTO 14M 18S 25S 36S 3CS 49S)	71P7347	*
3	CD-RW Drive (48X/32X/48X) (models CTO 14M 18S 25S 36S 3CS 49S)	71P7349	*
3	CD-RW Drive (48X/32X/48X) (models CTO 14M 18S 25S 36S 3CS 49S)	26K5401	*
3	CD-RW Drive (48X/32X/48X) (models CTO 14M 18S 25S 36S 3CS 49S)	40Y8901	*
3	CD-RW Drive (48X/32X/48X) (models CTO 14M 18S 25S 36S 3CS 49S)	40Y8937	*
3	DVD-ROM/CD-RW Combo Drive (48x/32x/48x/16x) (models 22J 33J 31A 31Q 31T 31B 31H 31V CTO A3J 13J 37M 1BJ A6J A8J ABJ AEJ B2J B4J B6J B8J 1EJ 1KJ 1PJ 2BJ 2FJ 39J 44J)	26K5379	*
3	DVD-ROM/CD-RW Combo Drive (48x/32x/48x/16x) (models 22J 33J 31A 31Q 31T 31B 31H 31V CTO A3J 13J 37M 1BJ A6J A8J ABJ AEJ B2J B4J B6J B8J 1EJ 1KJ 1PJ 2BJ 2FJ 39J 44J)	26K5381	*
3	DVD-ROM/CD-RW Combo Drive (48x/32x/48x/16x) (models CTO A3J 13J 37M 1BJ A6J A8J ABJ AEJ B2J B4J B6J B8J 1EJ 1KJ 1PJ 2BJ 2FJ 39J 44J)	26K5429	*
3	DVD-ROM/CD-RW Combo Drive (48x/32x/48x/16x) (models CTO 7DG 7EG 7FG A6J A8J ABJ AEJ B2J B4J B6J B8J 1EJ 1KJ 1PJ 2BJ 2FJ 39J 44J)	39M3539	*
3	DVD-ROM/CD-RW Combo Drive (48x/32x/48x/16x) (models CTO 7DG 7EG 7FG A6J A8J ABJ AEJ B2J B4J B6J B8J 1EJ 1KJ 1PJ 2BJ 2FJ 39J 44J 1VJ AMJ ANJ BGJ BHJ BNJ BPJ 1UJ 2LJ 2NU 2NF 2SJ 3FU 3FF 3GA 3GQ 3GT 3LJ AVJ AWJ AZJ D1J ARJ ASJ 51J 52J 2UJ 2VJ)	40Y8781	*

Item #	8425 FRUs	FRU#	CRU
3	DVD-ROM/CD-RW Combo Drive (48x/32x/48x/16x) (models CTO 7DG 7EG 7FG A6J A8J ABJ AEJ B2J B4J B6J B8J 1EJ 1KJ 1PJ 2BJ 2FJ 39J 44J 1VJ AMJ ANJ BGJ BHJ BNJ BPJ 1UJ 2LJ 2NU 2NF 2SJ 3FU 3FF 3GA 3GQ 3GT 3LJ AVJ AWJ AZJ D1J ARJ ASJ 51J 52J 2UJ 2VJ)	40Y8903	*
3	DVD-ROM/CD-RW Combo Drive (48x/32x/48x/16x) (models CTO 7DG 7EG 7FG A6J A8J ABJ AEJ B2J B4J B6J B8J 1EJ 1KJ 1PJ 2BJ 2FJ 39J 44J 1VJ AMJ ANJ BGJ BHJ BNJ BPJ 1UJ 2LJ 2NU 2NF 2SJ 3FU 3FF 3GA 3GQ 3GT 3LJ AVJ AWJ AZJ D1J ARJ ASJ 51J 52J 2UJ 2VJ)	40Y8919	*
3	Universal Combo Drive (48x/24x/48x/16x) -- optional to 26K5379 and 26K5381 (models 22J 33J 31A 31Q 31T 31B 31H 31V CTO A3J 13J 37M 1BJ)	26K5390	*
3	Multi-Burner Plus (Rambo IV) (models CTO)	26K5383	*
3	Multi-Burner Plus (Rambo VI) (models CTO)	26K5441	*
3	Multi-Burner Plus (Rambo VI) (models CTO)	40Y8799	*
3	Universal Rambo drive (Black) (models CTO)	26K5377	*
4	HDD 40GB 7200rpm Serial ATA (models 21J 22J 23J 71G 72G A1J A2J A3J A4J 11J 12J 13J 14M 73G 19J 1AJ 1BJ CTO A5J A6J A7J A8J A9J AGJ AAJ ABJ ACJ ADJ AEJ AFJ B1J B2J B3J B4J BBJ BCJ B5J B6J B7J B8J B9J BAJ 1CJ 1DJ 1EJ 1GU 1HJ 1JJ 1KJ 28U 2AJ 2BJ 2EJ 38U 47U)	71P7312	*
4	HDD 40GB 7200rpm Serial ATA (models 21J 22J 23J 71G 72G A1J A2J A3J A4J 11J 12J 13J 14M 73G 19J 1AJ 1BJ CTO A5J A6J A7J A8J A9J AGJ AAJ ABJ ACJ ADJ AEJ AFJ B1J B2J B3J B4J BBJ BCJ B5J B6J B7J B8J B9J BAJ 1CJ 1DJ 1EJ 1GU 1HJ 1JJ 1KJ 28U 2AJ 2BJ 2EJ 38U 47U 1RJ 2GJ 1VJ AHJ AJJ AKJ ALJ AMJ ANJ BDJ BEJ BFJ BGJ BHJ BJJ BKJ BLJ BMJ BNJ BPJ 1SJ 1TJ 1UJ 2JJ 2KJ 2LJ 2PJ 2QJ 2RU 2RF 2SJ 3HU 3HF 4AU 4AF ATJ AUJ AVJ AWJ AXJ AYJ AZJ D1J APJ AQJ ARJ ASJ D2J)	40Y8760	*
4	HDD 40GB 7200rpm Serial ATA (models 21J 22J 23J 71G 72G A1J A2J A3J A4J 11J 12J 13J 14M 73G 19J 1AJ 1BJ CTO A5J A6J A7J A8J A9J AGJ AAJ ABJ ACJ ADJ AEJ AFJ B1J B2J B3J B4J BBJ BCJ B5J B6J B7J B8J B9J BAJ 1CJ 1DJ 1EJ 1GU 1HJ 1JJ 1KJ 28U 2AJ 2BJ 2EJ 38U 47U 1RJ 2GJ 1VJ AHJ AJJ AKJ ALJ AMJ ANJ BDJ BEJ BFJ BGJ BHJ BJJ BKJ BLJ BMJ BNJ BPJ 1SJ 1TJ 1UJ 2JJ 2KJ 2LJ 2PJ 2QJ 2RU 2RF 2SJ 3HU 3HF 4AU 4AF ATJ AUJ AVJ AWJ AXJ AYJ AZJ D1J APJ AQJ ARJ ASJ D2J)	40Y9033	*
4	HDD 80GB 7200rpm Serial ATA (models 32E 32J 33J 34J 31A 31Q 31T 31B 31H 31V 24J 35J 15S 18S 19S 25S 36S 37M CTO 1MJ 1NJ 1PJ 27U 29J 2CJ 2FJ 39J 3AJ 3CS 3DJ 44J 45J 48J 49S)	71P7293	*
4	HDD 80GB 7200rpm Serial ATA (models 32E 32J 33J 34J 31A 31Q 31T 31B 31H 31V 24J 35J 15S 18S 19S 25S 36S 37M CTO 1MJ 1NJ 1PJ 27U 29J 2CJ 2FJ 39J 3AJ 3CS 3DJ 44J 45J 48J 49S 2HJ 3EJ 2MJ 2NU 2NF 2TU 2TF 3FU 3FF 3GA 3GQ 3GT 3JJ 3KJ 3LJ 1WJ 1XJ 1YJ 1ZJ 51J 52J 2UJ 2VJ)	40Y8761	*
4	HDD 80GB 7200rpm Serial ATA (models 32E 32J 33J 34J 31A 31Q 31T 31B 31H 31V 24J 35J 15S 18S 19S 25S 36S 37M CTO 1MJ 1NJ 1PJ 27U 29J 2CJ 2FJ 39J 3AJ 3CS 3DJ 44J 45J 48J 49S 2HJ 3EJ 2MJ 2NU 2NF 2TU 2TF 3FU 3FF 3GA 3GQ 3GT 3JJ 3KJ 3LJ 1WJ 1XJ 1YJ 1ZJ 51J 52J 2UJ 2VJ)	40Y9034	*
5	Rotating bay assembly (all models)	03R0285	*
6	Plastic bezel kit (all models)	26K1214	*
7	Diskette drive, Half Inch (slim) 1.44MB 3 Mode (models 21J 22J 23J 32E 32J 33J 34J 71G 72G 31A 31Q 31T 31B 31H 31V A1J A2J A3J A4J 11J 12J 13J 14M 24J 35J 73G 15S 18S 19S 25S 36S 37M 19J 1AJ 1BJ CTO A5J A6J A7J A8J A9J AGJ AAJ ABJ ACJ ADJ AEJ AFJ B1J B2J B3J B4J BBJ BCJ B5J B6J B7J B8J B9J BAJ 1CJ 1DJ 1EJ 1GU 1HJ 1JJ 1KJ 1MJ 1NJ 1PJ 27U 28U 29J 2AJ 2BJ 2CJ 2EJ 2FJ 38U 39J 3AJ 3DJ 44J 45J 47U 48J)	36L8645	*

Item #	8425 FRUs	FRU#	CRU
7	Diskette drive, Half Inch (slim) 1.44MB 3 Mode (models A5J A6J A7J A8J A9J AGJ AAJ ABJ ACJ ADJ AEJ AFJ B1J B2J B3J B4J BBJ BCJ B5J B6J B7J B8J B9J BAJ 1CJ 1DJ 1EJ 1GU 1HJ 1JJ 1KJ 1MJ 1NJ 1PJ 27U 28U 29J 2AJ 2BJ 2CJ 2EJ 2FJ 38U 39J 3AJ 3DJ 44J 45J 47U 48J)	39M0107	*
7	Diskette drive, Half Inch (slim) 1.44MB 3 Mode (models A5J A6J A7J A8J A9J AGJ AAJ ABJ ACJ ADJ AEJ AFJ B1J B2J B3J B4J BBJ BCJ B5J B6J B7J B8J B9J BAJ 1CJ 1DJ 1EJ 1GU 1HJ 1JJ 1KJ 1MJ 1NJ 1PJ 27U 28U 29J 2AJ 2BJ 2CJ 2EJ 2FJ 38U 39J 3AJ 3DJ 44J 45J 47U 48J 1RJ 2GJ 2HJ 3EJ CTO 1VJ AHJ AJJ AKJ ALJ AMJ ANJ BDJ BEJ BFJ BGJ BHJ BJJ BKJ BLJ BMJ BNJ BPJ 1SJ 1TJ 1UJ 2JJ 2KJ 2LJ 2MJ 2NU 2NF 2PJ 2QJ 2RU 2RF 2SJ 2TU 2TF 3FU 3FF 3GA 3GQ 3GT 3HU 3HF 3JJ 3KJ 3LJ 4AU 4AF ATJ AUJ AVJ AWJ AXJ AYJ AZJ D1J APJ AQJ ARJ ASJ 1WJ 1XJ 1YJ 1ZJ 51J 52J 2UJ 2VJ)	40Y9111	*
7	Diskette drive, Half Inch (slim) 1.44MB 3 Mode (models A5J A6J A7J A8J A9J AGJ AAJ ABJ ACJ ADJ AEJ AFJ B1J B2J B3J B4J BBJ BCJ B5J B6J B7J B8J B9J BAJ 1CJ 1DJ 1EJ 1GU 1HJ 1JJ 1KJ 1MJ 1NJ 1PJ 27U 28U 29J 2AJ 2BJ 2CJ 2EJ 2FJ 38U 39J 3AJ 3DJ 44J 45J 47U 48J)	39M0105	*
7	Diskette drive, Half Inch (slim) 1.44MB 3 Mode (models A5J A6J A7J A8J A9J AGJ AAJ ABJ ACJ ADJ AEJ AFJ B1J B2J B3J B4J BBJ BCJ B5J B6J B7J B8J B9J BAJ 1CJ 1DJ 1EJ 1GU 1HJ 1JJ 1KJ 1MJ 1NJ 1PJ 27U 28U 29J 2AJ 2BJ 2CJ 2EJ 2FJ 38U 39J 3AJ 3DJ 44J 45J 47U 48J 1RJ 2GJ 2HJ 3EJ CTO 1VJ AHJ AJJ AKJ ALJ AMJ ANJ BDJ BEJ BFJ BGJ BHJ BJJ BKJ BLJ BMJ BNJ BPJ 1SJ 1TJ 1UJ 2JJ 2KJ 2LJ 2MJ 2NU 2NF 2PJ 2QJ 2RU 2RF 2SJ 2TU 2TF 3FU 3FF 3GA 3GQ 3GT 3HU 3HF 3JJ 3KJ 3LJ 4AU 4AF ATJ AUJ AVJ AWJ AXJ AYJ AZJ D1J APJ AQJ ARJ ASJ 1WJ 1XJ 1YJ 1ZJ 51J 52J 2UJ 2VJ)	40Y9109	*
8	Heat Sink, Side Car, P4 (all models)	26K1207	**
9	2.53 GHZ Celeron Prescott P4 (models CTO A1J A2J A3J A4J)	29R7203	**
9	2.66 GHZ Celeron Prescott P4 (models CTO A5J A6J A7J A8J A9J AGJ)	29R7205	**
9	2.8 GHZ Celeron Prescott P4 (models CTO AAJ ABJ ACJ ADJ AEJ AFJ)	29R7207	**
9	2.93 GHZ Celeron Prescott P4 (models CTO B1J B2J B3J B4J BBJ BCJ)	29R7209	**
9	3.06 GHZ Prescott P4 (models CTO B5J B6J B7J B8J B9J BAJ)	29R8205	**
9	2.66 GHZ Prescott P4 (models CTO)	29R7211	**
9	2.93 GHZ Prescott P4 (models CTO 11J 12J 13J 14M 73G 18S 1GU 1HJ 1JJ 1KJ 1MJ 1NJ 1PJ 74U)	29R7213	**
9	2.66 GHZ Prescott P4 (models CTO)	41D0670	**
9	2.93 GHZ Prescott P4 (models CTO 1WJ 1XJ 1YJ 1ZJ 51J 52J)	41D0671	**
9	3.06 GHZ Prescott P4 (models CTO)	41D0672	**
9	2.53GHZ Celeron Prescott P4 326 (models CTO D2J)	41D0515	**
9	2.66 GHZ Celeron Prescott P4 331 (models CTO ATJ AUJ AVJ AWJ AXJ AYJ AZJ D1J)	41D0517	**
9	2.8 GHZ Celeron Prescott P4 336 (models CTO AHJ AJJ AKJ ALJ AMJ ANJ APJ AQJ ARJ ASJ)	41D0519	**
9	2.93 GHZ Celeron Prescott P4 (341 models CTO BDJ BEJ BFJ BGJ BHJ)	41D0521	**
9	3.06 GHZ Celeron Prescott P4 346 (models CTO BJJ BKJ BLJ BMJ BNJ BPJ)	41D0523	**
9	3.2 GHZ Celeron Prescott P4 351 (models CTO)	41D0525	**
9	2.8 GHZ Prescott P4 (models CTO 18S 1CJ 1DJ 1EJ)	19R0489	**
9	3.0 GHZ Prescott P4 (models 21J 22J 23J 71G CTO 24J 25S 27U 28U 29J 2AJ 2BJ 2CJ 2EJ 2FJ 75U)	19R0490	**



Item #	8425 FRUs	FRU#	CRU
9	3.2 GHZ Prescott P4 (models 32E 32J 33J 34J 72G 31A 31Q 31T 31B 31H 31V CTO 35J 36S 37M 38U 39J 3AJ 3CS 3DJ 76U)	19R0491	**
9	3.4 GHZ Prescott P4 (models CTO 44J 45J 47U 48J 49S 77U)	19R0492	**
9	2.8 GHZ Prescott P4 (models CTO 1SJ 1TJ 1UJ)	41D0708	**
9	3.0GHZ Prescott P4 531 (models CTO 2JJ 2KJ 2LJ 2MJ 2NU 2NF 2PJ 2QJ 2RU 2RF 2SJ 2TU 2TF 78U)	41D0527	**
9	3.2GHZ Prescott P4 541 (models CTO 3FU 3FF 3GA 3GQ 3GT 3HU 3HF 3JJ 3KJ 3LJ 79U)	41D0529	**
9	3.4GHZ Prescott P4 551 (models CTO 4AU 4AF 7AU)	41D0531	**
9	3.0 GHZ Prescott P4 (models CTO 2UJ 2VJ)	39J6583	**
9	3.2 GHZ Prescott P4 (models CTO)	39J6585	**
9	3.4 GHZ Prescott P4 (models CTO)	39J6587	**
10	System Board (Intel 915G) 10/1000 w/POV (models 21J 22J 23J 32E 32J 33J 34J 71G 72G 31A 31T 31B 31H 31V 31Q A1J A2J A3J A4J 11J 12J 13J 14M 24J 35J 73G 15S 18S 19S 25S 36S 37M 19J 1AJ 1BJ CTO A5J A6J A7J A8J A9J AGJ AAJ ABJ ACJ ADJ AEJ AFJ B1J B2J B3J B4J BBJ BCJ B5J B6J B7J B8J B9J BAJ 1CJ 1DJ 1EJ 1GU 1HJ 1JJ 1KJ 1MJ 1NJ 1PJ 28U 29J 2AJ 2BJ 2CJ 2EJ 2FJ 38U 39J 3AJ 3CS 3DJ 44J 45J 47U 48J 49S 74U 75U 76U 77U 1RJ 2GJ 2HJ 3EJ 2JJ 2KJ 2LJ 2MJ 2NU 2NF 3FU 3FF 1VJ)	29R8259	**
10	System Board (Intel 915GV) 10/1000 w/POV (models 27U AHJ AJJ AKJ ALJ AMJ ANJ BDJ BEJ BFJ BGJ BHJ BJJ BKJ BLJ BMJ BNJ BPJ 1SJ 1TJ 1UJ 2PJ 2QJ 2RU 2RF 2SJ 2TU 2TF 3GA 3GQ 3GT 3HU 3HF 3JJ 3KJ 3LJ 4AU 4AF 78U 79U 7AU ATJ AUJ AVJ AWJ AXJ AYJ AZJ D1J APJ AQJ ARJ ASJ 1WJ 1XJ 1YJ 1ZJ 51J 52J 2UJ 2VJ D2J)	39J7583	**
11	256MB PC2 3200 Memory (DDR1) (models 21J 22J 23J 71G 72G 31A 31Q 31T 31B 31H 31V A1J A2J A3J A4J 11J 12J 13J 14M 73G 15S 18S 19S 25S 36S 19J 1AJ 1BJ CTO A5J A6J A7J A8J A9J AGJ AAJ ABJ ACJ ADJ AEJ AFJ B1J B2J B3J B4J BBJ BCJ B5J B6J B7J B8J B9J BAJ 1CJ 1DJ 1EJ 1GU 1HJ 1JJ 1KJ 28U 2AJ 2BJ 2EJ 1RJ 2GJ 1VJ AHJ AJJ AKJ ALJ AMJ ANJ BDJ BEJ BFJ BGJ BHJ BJJ BKJ BLJ BMJ BNJ BPJ 1SJ 1TJ 1UJ 2JJ 2KJ 2LJ 2PJ 2QJ 2RU 2RF 2SJ 3GA 3GQ 3GT ATJ AUJ AVJ AWJ 1WJ 1XJ D2J)	73P2683	*
11	512MB PC2 3200 Memory (DDR1) (models 32E 32J 33J 34J 24J 35J 37M CTO 1MJ 1NJ 1PJ 27U 29J 2CJ 2FJ 38U 39J 3AJ 3CS 3DJ 44J 45J 47U 48J 49S 2HJ 3EJ 2MJ 2NU 2NF 2TU 2TF 3FU 3FF 3HU 3HF 3JJ 3KJ 3LJ 4AU 4AF AWJ AXJ AYJ AZJ D1J APJ AQJ ARJ ASJ 1YJ 1ZJ 51J 52J 2UJ 2VJ)	73P2684	*
12	Riser card assembly (all models)	41A7730	*
13	Speaker assembly (All EXCEPT 18S 25S 36S 3CS 49S 3GA 3GQ 3GT)	03R0294	*
14	Chassis (all models)	26K1218	**

The FRUs listed in the following table are not illustrated.

8425 FRUs	FRU#	CRU
Tool-less hardfile tray (all models)	03R0302	*
Cable, PWR/LED (all models)	03R0283	*
Lock assembly (Random keyed) (models 71G 72G 73G CTO 3CS 49S 3GA 3GQ 3GT)	03R0287	*
Internal plastic kit (all models)	03R0289	*
Cable, optical 1-drop ATA 100 (all models)	03R0291	*
Cable, 2-drop ATA 100 (all models)	03R0292	*
Cable, SATA (all models)	03R0293	*

8425 FRUs	FRU#	CRU
Cable, Diskette drive (all models)	03R0297	*
C2 Cable (Squall) (models 71G 72G 73G 15S 18S 19S 25S 36S CTO 3CS 49S 3GA 3GQ 3GT)	09K9827	*
Shield, 5.25 EMC) (all models)	19K5548	*
Floor stand and vertical deflector (all models)	74P0404	*
Korean Label (all models)	13R9162	*
Fan assembly (all models)	26K1210	*
Lycoming Riser Card Assembly (all models)	26K1209	*
Planar tray, Lycoming (all models)	26K1213	**
Heat Sink Retention Module Asm (all models)	26K1206	**
Battery (all models)	33F8354	*
Universal Adapter Bracket 5.25 to 3.5-inch	32P4743	*
Mouse, PS/2 2-button (Black) (models CTO)	24P0383	*
Mouse, optical wheel (models 71G 72G 31A 31Q 31T 31B 31H 31V 14M 73G 15S 18S 19S 25S 36S 37M CTO 1GU 27U 28U 38U 3CS 44J 45J 47U 48J 49S 2NU 2NF 2RU 2RF 2TU 2TF 3FU 3FF 3GA 3GQ 3GT 3HU 3HF 4AU 4AF)	89P5089	*
Mouse, PS/2 - 3-Button (Ball) Wheel (models 21J 22J 23J 32E 32J 33J 34J A1J A2J A3J A4J 11J 12J 13J 24J 35J 19J 1AJ 1BJ CTO A5J A6J A7J A8J A9J AGJ AAJ ABJ ACJ ADJ AEJ AFJ B1J B2J B3J B4J BBJ BCJ B5J B6J B7J B8J B9J BAJ 1CJ 1DJ 1EJ 1HJ 1JJ 1KJ 1MJ 1NJ 1PJ 29J 2AJ 2BJ 2CJ 2EJ 2FJ 39J 3AJ 3DJ 1RJ 2GJ 2HJ 3EJ 1VJ AHJ AJJ AKJ ALJ AMJ ANJ BDJ BEJ BFJ BGJ BHJ BJJ BKJ BLJ BMJ BNJ BPJ 1SJ 1TJ 1UJ 2JJ 2KJ 2LJ 2MJ 2PJ 2QJ 2SJ 3JJ 3KJ 3LJ ATJ AUJ AVJ AWJ AXJ AYJ AZJ D1J APJ AQJ ARJ ASJ 1WJ 1XJ 1YJ 1ZJ 51J 52J 2UJ 2VJ)	24P0491	*
Mouse, Scrollpoint® Optical, USB 800 DPI (models CTO D2J)	24P0499	*
Mouse, ScrollPoint Pro Optical, USB (models CTO)	24P0505	*
Fan baffle for Prescott processor (all models)	13R9161	*
PCI Modem Card (Soft), ATX V.90 (models 31A 31Q 31T 31B 31H 31V 14M 3GA 3GQ 3GT)	22P7943	*
PCI-E DVI-D Connection Adapter (models CTO A4J 24J 35J)	19R2374	*
Speakers, Jazz Infinity Active T1 (Black) (models 31A 31Q 31T 31B 31H 31V 18S 25S 36S 3CS 49S 3GA 3GQ 3GT)	25P4726	*
Speaker Power brick - US, CE, CF, LA, Taiwan (models 31T 31V 18S 25S 36S 3CS 49S 3GT)	10K2587	*
Speaker Power brick - UK, Hong Kong (3 prong) (models 31B 31H)	25P5703	*
Speaker Power brick (newer 2 prong) - China, Thailand, Phillipines (models 31B 31H)	10K2597	*
Speaker Power brick - ANZ (models 31A 3GA)	25P5705	*
Speaker Power brick - India, South Africa (models 31Q 3GQ)	32P3181	*
Speaker Power brick - Argentina (models 18S 25S 36S 3CS 49S)	01R2253	*
RJ11 connector adapter (Spain, Ireland) (All 'G' models)	60H6043	*
RJ11 connector adapter (Austria) (All 'G' models)	60H6045	*
RJ11 connector adapter (Belgium) (All 'G' models)	60H6046	*
RJ11 connector adapter (Denmark) (All 'G' models)	60H6047	*
RJ11 connector adapter (Norway, Finland) (All 'G' models)	60H6048	*
RJ11 connector adapter (France) (All 'G' models)	60H6049	*
RJ11 connector adapter (Germany) (All 'G' models)	60H6050	*
RJ11 connector adapter (UK, NZ, HK) (All 'G', 'M', 'B', 'H' models)	60H6051	*
RJ11 connector adapter (Italy) (All 'G' models)	60H6052	*

8425 FRUs	FRU#	CRU
RJ11 connector adapter (Netherlands) (All 'G' models)	60H6053	*
RJ11 connector adapter (Sweden) (All 'G' models)	60H6054	*
RJ11 connector adapter (Switzerland) (All 'G' models)	60H6055	*

8425 Keyboards (Preferred Pro Fullsize)	FRU#	CRU
US English (models 32E 71G 72G 14M 73G 37M CTO 1GU 27U 28U 38U 47U 2NU 2RU 2TU 3FU 3HU 4AU)	89P8300	*
Arabic (models 71G 72G 73G CTO-G)	89P8301	*
Belgian/French (models 71G 72G 73G CTO-G)	89P8302	*
Belgian/UK (models 71G 72G 73G CTO-G)	89P8303	*
Bulgarian (models 71G 72G 73G CTO-G)	89P8305	*
Czech (models 71G 72G 73G CTO-G)	89P8307	*
Danish (models 71G 72G 73G CTO-G)	89P8308	*
Dutch (models 71G 72G 73G CTO-G)	89P8309	*
French (models 71G 72G 73G CTO-G)	89P8310	*
French Canadian 445 (models 2NF 2RF 2TF 3FF 3HF 4AF)	89P8311	*
French Canadian 58 (models 2NF 2RF 2TF 3FF 3HF 4AF)	89P8312	*
German (models 71G 72G 73G CTO-G)	89P8313	*
Greek (models 71G 72G 73G CTO-G)	89P8314	*
Hebrew (models 71G 72G 73G CTO-G)	89P8315	*
Hungarian (models 71G 72G 73G CTO-G)	89P8316	*
Iceland (models 71G 72G 73G CTO-G)	89P8317	*
Italian 141 (models 71G 72G 73G CTO-G)	89P8318	*
Italian 142 (models 71G 72G 73G CTO-G)	89P8319	*
Japan (models 21J 22J 23J 32J 33J 34J A1J A2J A3J A4J 11J 12J 13J 24J 35J 19J 1AJ 1BJ A5J A6J A9J AAJ ABJ ADJ B1J B2J BBJ B5J B6J B9J 1HJ 1JJ 1KJ 1MJ 1NJ 1PJ 1RJ 1VJ AKJ ALJ ANJ BEJ BFJ BHJ BLJ BMJ BPJ 2JJ 2KJ 2LJ 2MJ ATJ AUJ AVJ AWJ AXJ AYJ AZJ D1J APJ AQJ ARJ ASJ 1WJ 1XJ 1YJ 1ZJ 51J 52J 2UJ 2VJ D2J)	89P8320	*
LA Spanish (models 15S 18S 19S 25S 36S CTO-L 3CS 49S)	89P8322	*
Norwegian (models 71G 72G 73G CTO-G)	89P8323	*
Polish (models 71G 72G 73G CTO-G)	89P8324	*
Portuguese (models 71G 72G 73G CTO-G)	89P8325	*
Romanian (models 71G 72G 73G CTO-G)	89P8326	*
Russian (models 71G 72G 73G CTO-G)	89P8327	*
Russian/Cyrillic (models 71G 72G 73G CTO-G)	89P8328	*
Serbian/Cyrillic (models 71G 72G 73G CTO-G)	89P8329	*
Slovak (models 71G 72G 73G CTO-G)	89P8330	*
Spanish (models 71G 72G 73G CTO-G)	89P8331	*
Swedish/Finn (models 71G 72G 73G CTO-G)	89P8332	*
Swiss F/G (models 71G 72G 73G CTO-G)	89P8333	*
Turkish 440 (models 71G 72G 73G CTO-G)	89P8335	*
Turkish 179 (models 71G 72G 73G CTO-G)	89P8336	*

8425 Keyboards (Preferred Pro Fullsize)	FRU#	CRU
UK English (models 71G 72G 73G CTO-G)	89P8337	*
US Euro (models CTO-G 27G 71G 72G 73G CTO-G)	89P8338	*
Yugoslav/Latin (models 71G 72G 73G CTO-G)	89P8339	*

8425 Keyboards (Productivity USB)	FRU#	CRU
US English (models 31A 31Q 31H CTO 3GA 3GQ)	89P8800	*
Chinese/US (models 31B 31V CTO-A)	89P8807	*
Taiwan (models 31T CTO-A 3GT)	89P8834	*

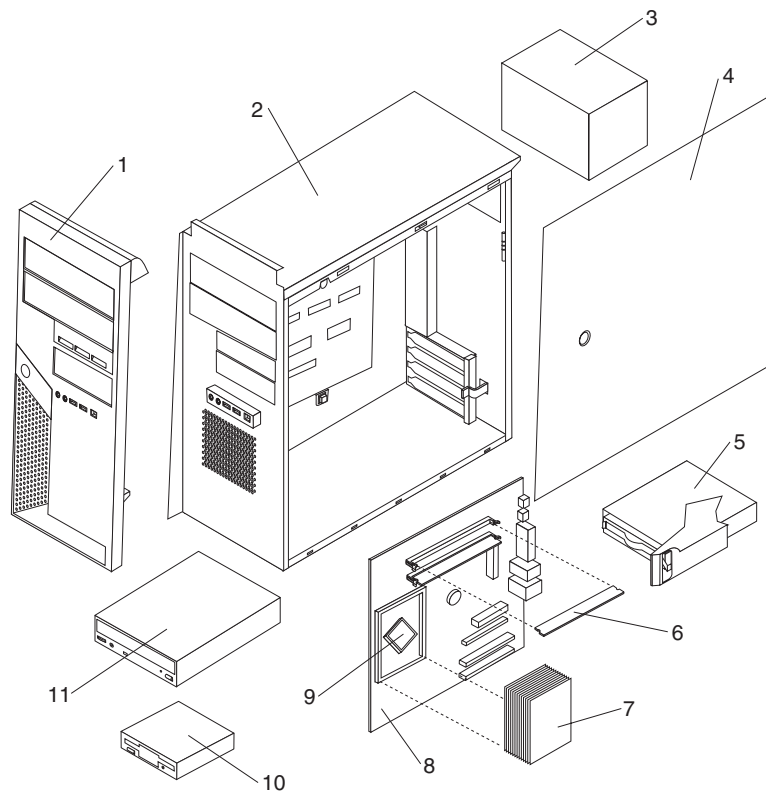
8425 Fingerprint Keyboards	FRU#	CRU
Japanese (models A7J A8J AGJ ACJ AEJ AFJ B3J B4J BCJ B7J B8J BAJ 1CJ 1DJ 1EJ 29J 2AJ 2BJ 2CJ 2EJ 2FJ 39J 3AJ 3DJ 44J 45J 48J 2GJ 2HJ 3EJ AHJ AJJ AMJ BDJ BGJ BJJ BKJ BNJ 1SJ 1TJ 1UJ 2PJ 2QJ 2SJ 3JJ 3KJ 3LJ)	89P9020	*

8425 Power Cords	FRU#	CRU
Power cord (models 71G 72G 31A 31T 31V 73G 15S 18S 19S 25S 36S 1GU 27U 28U 38U 3CS 47U 49S 74U 75U 76U 77U 2NU 2NF 2RU 2RF 2TU 2TF 3FU 3FF 3GA 3GT 3HU 3HF 4AU 4AF 78U 79U 7AU)	6952301	*
Power cord (ANZ) (models 14M 37M)	13F9939	*
Power cord (EMEA, ANZ, ASEAN Eng, Korea) (models 71G 72G 73G)	13F9978	*
Power cord (EMEA, ANZ, ASEAN Eng, HK Eng) (models 71G 72G 31H 73G)	14F0032	*
Power cord (EMEA) (models 71G 72G 73G)	13F9996	*
Power cord (EMEA, LA) (models 71G 72G 73G 15S 18S 19S 25S 36S 3CS 49S)	14F0068	*
Power cord (Japan) (models 21J 22J 23J 32E 32J 33J 34J A1J A2J A3J A4J 11J 12J 13J 24J 35J 19J 1AJ 1BJ)	1838576	*
Power cord (Japan) (models A5J A6J A7J A8J A9J AGJ AAJ ABJ ACJ ADJ AEJ AFJ B1J B2J B3J B4J BBJ BCJ B5J B6J B7J B8J B9J BAJ 1CJ 1DJ 1EJ 1HJ 1JJ 1KJ 1MJ 1NJ 1PJ 29J 2AJ 2BJ 2CJ 2EJ 2FJ 39J 3AJ 3DJ 44J 45J 48J 1RJ 2GJ 2HJ 3EJ 1VJ AHJ AJJ AKJ ALJ AMJ ANJ BDJ BEJ BFJ BGJ BHJ BJJ BKJ BLJ BMJ BNJ BPJ 1SJ 1TJ 1UJ 2JJ 2KJ 2LJ 2MJ 2PJ 2QJ 2SJ 3JJ 3KJ 3LJ ATJ AUJ AVJ AWJ AXJ AYJ AZJ D1J APJ AQJ ARJ ASJ 1WJ 1XJ 1YJ 1ZJ 51J 52J 2UJ 2VJ D2J)	05K2876	*
Power cord (China, HK) (models 31B 31H)	02K0545	*
Power cord (EMEA) (models 71G 72G 73G)	14F0086	*
Power cord (EMEA, ANZ, ASEAN Eng) (models 71G 72G 73G)	14F0014	*
Power cord (EMEA) (models 71G 72G 73G)	14F0050	*
Power cord (India) (models 31Q A1J A2J A3J A4J 11J 12J 13J 24J 35J 19J 1AJ 1BJ 3GQ)	49P2078	*

8425 Windows XP Home Recovery CDs	FRU #	CRU
US/UK/AP/TH (models 31A 31Q 31T 31H 14M 37M 3GA 3GQ 3GT)	39J6765	*
SP/LA (models 18S 25S 36S 3CS 49S)	39J6768	*
Hong Kong (models 31B)	27K6766	*
Taiwan (models 31V)	27K6758	*

8425 Windows XP Pro Recovery CDs	FRU #	CRU
US (models 32E 71G 72G 73G 1GU 27U 28U 38U 47U 2NU 2RU 2TU 3FU 3HU 4AU 78U 79U 7AU)	39J6597	*
FR (models 71G 72G 73G 2NF 2RF 2TF 3FF 3HF 4AF)	39J6598	*
GR (models 71G 72G 73G)	39J6599	*
IT (models 71G 72G 73G)	39J6601	*
SP (models 71G 72G 73G 15S 19S)	39J6600	*
DK (models 71G 72G 73G)	39J6604	*
NL (models 71G 72G 73G)	39J6607	*
AE (models 71G 72G 73G)	39J6611	*
SV (models 71G 72G 73G)	39J6603	*
HE (models 71G 72G 73G)	39J6608	*
FI (models 71G 72G 73G)	39J6605	*
NO (models 71G 72G 73G)	39J6606	*
PL (models 71G 72G 73G)	39J6609	*
PO (models 71G 72G 73G)	39J6615	*
RU (models 71G 72G 73G)	41D1198	*
HU (models 71G 72G 73G)	39J6614	*
CZ (models 71G 72G 73G)	39J6610	*
TR (models 71G 72G 73G)	39J6613	*
GK (models 71G 72G 73G)	39J6616	*
SL (models 71G 72G 73G)	39J6617	*
Japan (models 21J 22J 23J 32J 33J 34J A1J A2J A3J A4J 11J 12J 13J 24J 35J 19J 1AJ 1BJ A5J A6J A7J A8J A9J AGJ AAJ ABJ ACJ ADJ AEJ AFJ B1J B2J B3J B4J BBJ BCJ B5J B6J B7J B8J B9J BAJ 1CJ 1DJ 1EJ 1HJ 1JJ 1KJ 1MJ 1NJ 1PJ 29J 2AJ 2BJ 2CJ 2EJ 2FJ 39J 3AJ 3DJ 44J 45J 48J 1RJ 2GJ 2HJ 3EJ 1VJ AHJ AJJ AKJ ALJ AMJ ANJ BDJ BEJ BFJ BGJ BHJ BJJ BKJ BLJ BMJ BNJ BPJ 1SJ 1TJ 1UJ 2JJ 2KJ 2LJ 2MJ 2PJ 2QJ 2SJ 3JJ 3KJ 3LJ ATJ AUJ AVJ AWJ AXJ AYJ AZJ D1J APJ AQJ ARJ ASJ 1WJ 1XJ 1YJ 1ZJ 51J 52J 2UJ 2VJ D2J)	30R4762	*
Multilingual 1 (models 71G 72G 73G)	39J6215	*
Multilingual 2 (models 71G 72G 73G)	39J6216	*

## Machine Type 8427



Item #	8427 FRUs	FRU#	CRU
1	Bezel (all models)	26K1116	*
2	Chassis Asm (subd from 26K1113) (all models)	26K1160	**
3	Power Supply 310 Watt (models 12U 21U 22U 22F 31U 31F CBU CCU CDU CEU CGU 23G 71G 72G 73G 74G 75G 76G 13U 13F 32U 32F 33U 41U 77G CHU CJU 14U 14F 24U 24F CKU 15U CTO 16U 16F 17U 17F 18U 18F)	24R2574	**
3	Power Supply (China) 310 Watt (models 14S CTO-A CTO-L)	24R2578	**
4	Cover Asm (all models)	26K1115	**
5	HDD 40GB 7200 rpm Serial ATA (models 12U 21U 23G 71G 74G 13U 13F 32U 32F 77G 14U 14F 14S 24U 24F 15U CTO)	71P7312	*
5	HDD 40GB 7200 rpm Serial ATA (models 12U 21U 23G 71G 74G 13U 13F 32U 32F 77G 14U 14F 14S 24U 24F 15U CTO)	40Y8760	*
5	HDD 40GB 7200 rpm Serial ATA (models 12U 21U 23G 71G 74G 13U 13F 32U 32F 77G 14U 14F 14S 24U 24F 15U CTO)	40Y9033	*
5	HDD 80GB 7200 rpm Serial ATA (models 22U 22F 31U 31F 72G 75G 33U 41U CTO 16U 16F 17U 17F 18U 18F)	71P7293	*
5	HDD 80GB 7200 rpm Serial ATA (models 22U 22F 31U 31F 72G 75G 33U 41U CTO 16U 16F 17U 17F 18U 18F)	40Y8761	*
5	HDD 80GB 7200 rpm Serial ATA (models 22U 22F 31U 31F 72G 75G 33U 41U CTO 16U 16F 17U 17F 18U 18F)	40Y9034	*
5	HDD 160GB 7200 rpm Serial ATA (models 73G 76G CTO)	71P7297	*
5	HDD 160GB 7200 rpm Serial ATA (models 73G 76G CTO)	40Y8762	*
5	HDD 160GB 7200 rpm Serial ATA (models 73G 76G CTO)	40Y9035	*

Item #	8427 FRUs	FRU#	CRU
6	256MB PC2 3200 Memory (400mhz DDR2) (models 12U 21U 22U 22F 31U 31F 23G 71G 72G 73G 74G 75G 76G 13U 13F 32U 32F 33U 41U 77G 14U 14F 14S 24U 24F 15U CTO 16U 16F)	73P3220	*
6	512MB PC2 3200 Memory (400mhz DDR2) (models CTO 17U 17F 18U 18F)	73P3222	*
6	1024MB PC2 3200 Memory (400mhz DDR2) (models CTO)	73P3224	*
7	Heat sink (models 12U CBU 21U 22U 22F CCU 31U 31F CDU CEU CGU 23G 71G 72G 73G 74G 75G 76G 13U 13F 77G CHU 32U 32F 33U 41U CJU 14U 14F 14S CKU 24U 24F 15U CTO 16U 16F 17U 17F 18U 18F)	89P6729	**
8	System board 10/1000 w/ POV (models 12U 21U 22U 22F 31U 31F CBU CCU CDU CEU CGU 23G 71G 72G 73G 74G 75G 76G 13U 13F 32U 32F 33U 41U 77G CHU CJU 14U 14F 14S 24U 24F CKU 15U CTO 16U 16F 17U 17F 18U 18F)	29R8261	**
9	2.53 GHZ Celeron Prescott P4 (models CTO)	29R7215	**
9	2.66 GHZ Celeron Prescott P4 (models CTO)	29R7217	**
9	2.8 GHZ Celeron Prescott P4 (models CTO)	29R7219	**
9	2.93 GHZ Celeron Prescott P4 (models CTO)	29R7221	**
9	3.06GHZ Celeron Prescott P4 (models CTO)	29R8208	**
9	2.53GHZ Celeron Prescott P4 326 (models CTO)	39J9397	**
9	2.66 GHZ Celeron Prescott P4 331 (models CTO)	39J9399	**
9	2.8 GHZ Celeron Prescott P4 336 (models CTO)	39J9401	**
9	2.93 GHZ Celeron Prescott P4 341 (models CTO)	39J9403	**
9	3.06 GHZ Celeron Prescott P4 346 (models CTO)	39J9405	**
9	3.2 GHZ Celeron Prescott P4 351 (models CTO)	41D0533	**
9	2.66 GHZ Prescott P4 (models CTO 14U 14F 14S CKU 15U)	29R7223	**
9	2.8 GHZ Prescott P4 (models CTO)	29R8209	**
9	2.93GHZ Prescott P4 (models CTO 13U 13F 77G CHU 16U 16F)	29R7225	**
9	2.66GHZ Celeron Prescott P4 346 (models CTO)	41D0676	**
9	2.93GHZ Celeron Prescott P4 351 (models CTO)	41D0677	**
9	3.06GHZ Celeron Prescott P4 (models CTO)	41D0678	**
9	2.8GHZ Prescott P4 (models 12U CBU CTO)	19R0495	**
9	3.0GHZ Prescott P4 (models 21U 22U 22F CCU 23G 71G 72G 73G CTO 24U 24F 17U 17F)	19R0496	**
9	3.2GHZ Prescott P4 (models 31U 31F CDU 74G 75G 76G CTO 32U 32F 33U 18U 18F)	19R0497	**
9	3.4GHZ Prescott P4 (models CEU CTO 41U)	19R0498	**
9	3.4GHZ Prescott P4 (low-power) (models CTO)	19R3011	**
9	3.6GHZ Prescott P4 (models CGU CTO)	19R0499	**
9	3.8GHZ Prescott P4 (models CTO CJU)	29R8211	**
9	3.0GHZ Prescott P4 531 (models CTO)	39J9409	**
9	3.2GHZ Prescott P4 541 (models CTO)	39J9411	**
9	3.4GHZ Prescott P4 551 (models CTO)	39J9413	**
9	3.6GHZ Prescott P4 561 (models CTO)	41D0535	**
9	3.8GHZ Prescott P4 571 (models CTO)	41D0537	**
9	3.8GHZ Prescott P4 670 (models CTO)	41D0539	**

Item #	8427 FRUs	FRU#	CRU
9	3.0GHZ Prescott P4 (models CTO)	39J6589	**
9	3.2GHZ Prescott P4 (models CTOG)	39J6591	**
9	3.4GHZ Prescott P4 (models CTO)	39J6593	**
9	3.6GHZ Prescott P4 (models CTO)	39J6595	**
10	3.5" 1.44MB 2-MODE Diskette drive (wo/Bezel (models 12U 21U 22U 22F 31U 31F 23G 71G 72G 73G 74G 75G 76G 13U 13F 32U 32F 33U 41U 77G 14U 14F 14S 24U 24F 15U CTO 16U 16F 17U 17F 18U 18F)	76H4091	*
10	3.5" 1.44MB 2 Mode Diskette drive (w/Bezel) (models 16U 16F 17U 17F 18U 18F)	40Y9107	*
10	3.5" 1.44MB 2 Mode Diskette drive (w/bezel) (models 16U 16F 17U 17F 18U 18F)	24P3889	*
10	3.5" 1.44MB 2 Mode Diskette drive (w/bezel) (models 16U 16F 17U 17F 18U 18F)	40Y9105	*
10	3.5" 1.44MB 2 Mode Diskette drive (w/bezel) (models 16U 16F 17U 17F 18U 18F)	39M0101	*
10	3.5" 1.44MB 2 Mode Diskette drive (w/bezel) (models 16U 16F 17U 17F 18U 18F)	40Y9113	*
11	CD-ROM Drive 48X - Black w/o jack & vol (models 23G CTO 13U 13F 14U 14F 14S 15U)	71P7371	*
11	CD-ROM Drive 48X - Black w/o jack & vol (models 23G CTO 13U 13F 14U 14F 14S 15U)	71P7375	*
11	CD-ROM Drive 48X - Black w/o jack & vol (models 23G CTO 13U 13F 14U 14F 14S 15U)	71P7385	*
11	CD-ROM Drive 48X - Black w/o jack & vol (models 23G CTO 13U 13F 14U 14F 14S 15U)	71P7377	*
11	CD-ROM Drive 48X - Black w/o jack & vol (models CTO)	39M3511	*
11	CD-ROM Drive 48X - Black w/o jack & vol (models CTO)	26K5445	*
11	CD-ROM Drive 48X - Black w/o jack & vol (models CTO)	40Y8807	*
11	DVD-ROM 16X/48X - Black (models 71G 74G CTO 77G)	33P3237	*
11	DVD-ROM 16X/48X - Black (models 71G 74G CTO 77G)	71P7357	*
11	DVD-ROM 16X/48X - Black (models 71G 74G CTO 77G)	26K5385	*
11	DVD-ROM 16X/48X - Black (models CTO 77G)	26K5435	*
11	DVD-ROM 16X/48X - Black (models CTO)	39M3513	*
11	DVD-ROM 16X/48X - Black (models CTO)	39M3515	*
11	DVD-ROM 16X/48X - Black (models CTO)	39M3517	*
11	DVD-ROM 16X/48X - Black (models CTO)	40Y8933	*
11	DVD-ROM 16X/48X - Black (models CTO)	40Y8935	*
11	CD-RW Drive (48X/32X/48X) (models 12U 21U CTO 32U 32F 24U 24F 16U 16F)	71P7347	*
11	CD-RW Drive (48X/32X/48X) (models 12U 21U CTO 32U 32F 24U 24F 16U 16F)	71P7349	*
11	CD-RW Drive (48X/32X/48X) (models 12U 21U CTO 32U 32F 24U 24F 16U 16F)	26K5401	*
11	CD-RW Drive (48X/32X/48X) (models CTO)	40Y8901	*
11	CD-RW Drive (48X/32X/48X) (models CTO)	40Y8937	*
11	DVD-ROM/CD-RW Combo Drive (48x/32x/48x/16x) (models 22U 22F 31U 31F 72G 75G CTO 33U 41U 17U 17F 18U 18F)	26K5379	*
11	DVD-ROM/CD-RW Combo Drive (48x/32x/48x/16x) (models 22U 22F 31U 31F 72G 75G CTO 33U 41U 17U 17F 18U 18F)	26K5381	*
11	DVD-ROM/CD-RW Combo Drive (48x/32x/48x/16x) (models CTO 33U 41U 17U 17F 18U 18F)	26K5429	*



Item #	8427 FRUs	FRU#	CRU
11	DVD-ROM/CD-RW Combo Drive (48x/32x/48x/16x) (models CTO 17U 17F 18U 18F)	39M3539	*
11	DVD-ROM/CD-RW Combo Drive (48x/32x/48x/16x) (models CTO)	40Y8781	*
11	DVD-ROM/CD-RW Combo Drive (48x/32x/48x/16x) (models CTO)	40Y8903	*
11	DVD-ROM/CD-RW Combo Drive (48x/32x/48x/16x) (models CTO)	40Y8919	*
11	Universal Combo Drive (48x/24x/48x/16x) -- optional to 26K5379 and 26K5381 (models 22U 22F 31U 31F 72G 75G CTO 33U 41U)	26K5390	*
11	Universal Rambo drive (Black) (models 73G 76G CTO)	26K5377	*
11	Multi-Burner Plus (Rambo IV) (models 73G 76G CTO)	26K5383	*
11	Multi-Burner Plus (Rambo VI) (models CTO)	26K5441	*
11	Multi-Burner Plus (Rambo VI) (models CTO)	39M3519	*
11	Multi-Burner Plus (Rambo VI) (models CTO)	40Y8799	*
11	Multi-Burner Plus (Rambo VI) (models CTO)	40Y8909	*

The FRUs listed in the following table are not illustrated.

8427 FRUs	FRU#	CRU
HDD Mounting Brkt Asm (all models)	88P5916	*
Speaker Asm, internal (all models)	00N5151	*
C2 Cable Assembly (models CTO)	09K9827	*
Cable, Second Serial Port (all models)	49P4530	*
Retention module (all models)	89P6725	*
Front panel card (all models)	26K1125	*
Device Retaining Clips (all models)	13N2449	*
Fan Duct Asm (all models)	26K1167	*
System board shield (all models)	89P6727	*
Cable, SATA (all models)	88P5927	*
Cable, Optical IDE (all models)	89P6734	*
Cable, Diskette drive (all models)	26K1128	*
cable, front panel USB Audio (all models)	26K1129	*
Shield, 5.25 Blank EMC (all models)	19K5548	*
Shield, Blank Diskette drive (all models)	26K1155	**
Miscellaneous Hardware kit (all models)	89P6737	*
Cable, 1394 Front (all models)	89P6738	*
Power Switch/LED (used with chassis PN 26K1113) (all models)	26K1119	*
Power Switch/LED (used with chassis PN 26K1160) (all models)	26K1161	*
Battery, 3.0V (all models)	33F8354	*
Universal Adapter Bracket 5.25 to 3.5-inch	32P4743	*
Mouse, PS/2 - 2-button (Black) (models CTO)	24P0383	*
Mouse, PS/2 - 3- Button (Ball) Wheel (models CTO)	24P0491	*

8427 FRUs	FRU#	CRU
Mouse, Optical Wheelmouse, USB 400 DPI (models 12U 21U 22U 22F 31U 31F 23G 71G 72G 73G 74G 75G 76G 13U 13F 32U 32F 33U 41U 77G 14U 14F 14S 24U 24F 15U CTO 16U 16F 17U 17F 18U 18F)	89P5089	*
PCI Modem Card (Soft), ATX V.90 (models 73G 76G)	22P7943	*
64MB PCIe Adapter Dual VGA, DVI-I, TV out (models 22U 22F 31U 31F)	19R0847	*
128MB PCIe Adapter Dual VGA, DVI-I, TV out (Spiderman) (models 73G 76G)	19R1452	*
1394 Firewire PCI LP (ATX) (models 73G 76G)	73P2608	*
1394 - 2 audio/USB/1394 (models 73G 76G)	49P1752	*
PCI-E DVI-D Connection Adapter (models CTO)	19R2374	*
Speakers, Jazz Infinity Active T1 (Black) (models 73G 76G)	25P4726	*
Speaker Power brick - UK, Hong Kong (3 prong) (models 73G 76G)	25P5703	*
Speaker Power brick - Europe (non-UK) (models 73G 76G)	25P5704	*
RJ11 Connector adapter (Spain, Ireland) (all 'G' models)	60H6043	*
RJ11 Connector adapter (Austria) (all 'G' models)	60H6045	*
RJ11 Connector adapter (Belgium) (all 'G' models)	60H6046	*
RJ11 Connector adapter (Denmark) (all 'G' models)	60H6047	*
RJ11 Connector adapter (Norway/Finland) (all 'G' models)	60H6048	*
RJ11 Connector adapter (France) (all 'G' models)	60H6049	*
RJ11 Connector adapter (Germany) (all 'G' models)	60H6050	*
RJ11 Connector adapter (UK,NZ, HK) (all 'G' models)	60H6051	*
RJ11 Connector adapter (Italy) (all 'G' models)	60H6052	*
RJ11 Connector adapter (Netherlands) (all 'G' models)	60H6053	*
RJ11 Connector adapter (Sweden) (all 'G' models)	60H6054	*
RJ11 Connector adapter (Switzerland) (all 'G' models)	60H6055	*

8427 Keyboards (Preferred Pro Fullsize)	FRU#	CRU
US English (models 12U 21U 22U 31U 23G 71G 72G 74G 75G 13U 32U 33U 41U 77G 14U 24U 15U CTO 16U 17U 18U)	89P8300	*
Arabic (models 23G 71G 72G 74G 75G 77G CTO-G)	89P8301	*
Belgian/French (models 23G 71G 72G 74G 75G 77G CTO-G)	89P8302	*
Belgian/UK (models 23G 71G 72G 74G 75G 77G CTO-G)	89P8303	*
Bulgarian (models 23G 71G 72G 74G 75G 77G CTO-G)	89P8305	*
Czech (models 23G 71G 72G 74G 75G 77G CTO-G)	89P8307	*
Danish (models 23G 71G 72G 74G 75G 77G CTO-G)	89P8308	*
Dutch (models 23G 71G 72G 74G 75G 77G CTO-G)	89P8309	*
French (models 23G 71G 72G 74G 75G 77G CTO-G)	89P8310	*
French Canadian 445 (models 22F 31F 13F 32F 14F 24F CTO-U 16F 17F 18F)	89P8311	*
French Canadian 58 (models 22F 31F 13F 32F 14F 24F CTO-U 16F 17F 18F)	89P8312	*
German (models 23G 71G 72G 74G 75G 77G CTO-G)	89P8313	*
Greek (models 23G 71G 72G 74G 75G 77G CTO-G)	89P8314	*
Hebrew (models 23G 71G 72G 74G 75G 77G CTO-G)	89P8315	*
Hungarian (models 23G 71G 72G 74G 75G 77G CTO-G)	89P8316	*

8427 Keyboards (Preferred Pro Fullsize)	FRU#	CRU
Iceland (models 23G 71G 72G 74G 75G 77G CTO-G)	89P8317	*
Italian 141 (models 23G 71G 72G 74G 75G 77G CTO-G)	89P8318	*
Italian 142 (models 23G 71G 72G 74G 75G 77G CTO-G)	89P8319	*
SP/LA (models 14S CTO-L)	89P8322	*
Norwegian (models 23G 71G 72G 74G 75G 77G CTO-G)	89P8323	*
Polish (models 23G 71G 72G 74G 75G 77G CTO-G)	89P8324	*
Portuguese (models 23G 71G 72G 74G 75G 77G CTO-G)	89P8325	*
Romanian (models 23G 71G 72G 74G 75G 77G CTO-G)	89P8326	*
Russian (models 23G 71G 72G 74G 75G 77G CTO-G)	89P8327	*
Russian/Cyrillic (models 23G 71G 72G 74G 75G 77G CTO-G)	89P8328	*
Serbian/Cyrillic (models 23G 71G 72G 74G 75G 77G CTO-G)	89P8329	*
Slovak (models 23G 71G 72G 74G 75G 77G CTO-G)	89P8330	*
Spanish (models 23G 71G 72G 74G 75G 77G CTO-G)	89P8331	*
Swedish/Finn (models 23G 71G 72G 74G 75G 77G CTO-G)	89P8332	*
Swiss F/G (models 23G 71G 72G 74G 75G 77G CTO-G)	89P8333	*
Turkish 440 (models 23G 71G 72G 74G 75G 77G CTO-G)	89P8335	*
Turkish 179 (models 23G 71G 72G 74G 75G 77G CTO-G)	89P8336	*
UK English (models 23G 71G 72G 74G 75G 77G CTO-G)	89P8337	*
US Euro (models CTO-G 27G 23G 71G 72G 74G 75G 77G CTO-G)	89P8338	*
Yugoslav/Latin (models 23G 71G 72G 74G 75G 77G CTO-G)	89P8339	*

8427 Keyboards (Productivity USB)	FRU#	CRU
US English (models 73G 76G CTO-G)	89P8800	*
Arabic (models 73G 76G CTO-G)	89P8801	*
Arabic/French (models 73G 76G CTO-G)	89P8802	*
Belgian/French (models 73G 76G CTO-G)	89P8803	*
Belgian/UK (models 73G 76G CTO-G)	89P8804	*
Bulgarian (models 73G 76G CTO-G)	89P8806	*
Czech (models 73G 76G CTO-G)	89P8808	*
Danish (models 73G 76G CTO-G)	89P8809	*
Dutch (models 73G 76G CTO-G)	89P8810	*
French (models CTO-U)	89P8811	*
German (models 73G 76G CTO-G)	89P8814	*
Greek (models 73G 76G CTO-G)	89P8815	*
Hebrew (models 73G 76G CTO-G)	89P8816	*
Hungarian (models 73G 76G CTO-G)	89P8817	*
Iceland (models 73G 76G CTO-G)	89P8818	*
Italian 141 (models 73G 76G CTO-G)	89P8819	*
Norwegian (models 73G 76G CTO-G)	89P8823	*
Polish (models 73G 76G CTO-G)	89P8824	*
Portuguese (models 73G 76G CTO-G)	89P8825	*

8427 Keyboards (Productivity USB)	FRU#	CRU
Romanian (models 73G 76G CTO-G)	89P8826	*
Romanian (models 73G 76G CTO-G)	89P8827	*
Russian/Cyrillic (models 73G 76G CTO-G)	89P8828	*
Serbian/Cyrillic (models 73G 76G CTO-G)	89P8829	*
Slovak (models 73G 76G CTO-G)	89P8830	*
Spanish (models 73G 76G CTO-G)	89P8831	*
Swedish/Finn (models 73G 76G CTO-G)	89P8832	*
Swiss F/G (models 73G 76G CTO-G)	89P8833	*
Turkish 440 (models 73G 76G CTO-G)	89P8835	*
Turkish 179 (models 73G 76G CTO-G)	89P8836	*

8427 Power Cords	FRU#	CRU
Power cord (models 12U 21U 22U 22F 31U 31F CBU CCU CDU CEU CGU 23G 71G 72G 73G 74G 75G 76G 13U 13F 32U 32F 33U 41U 77G CHU CJU 14U 14F 14S 24U 24F CKU 15U 16U 16F 17U 17F 18U 18F)	6952301	*
Power cord (EMEA, ANZ, ASEAN Eng, Korea) (models 23G 71G 72G 73G 74G 75G 76G 77G)	13F9978	*
Power cord (EMEA, ANZ, ASEAN Eng, HK Eng) (models 23G 71G 72G 73G 74G 75G 76G 77G)	14F0032	*
Power cord (EMEA) (models 23G 71G 72G 73G 74G 75G 76G 77G)	13F9996	*
Power cord (EMEA, LA) (models 23G 71G 72G 73G 74G 75G 76G 77G 14S)	14F0068	*
Power cord (EMEA) (models 23G 71G 72G 73G 74G 75G 76G 77G)	14F0086	*
Power cord (EMEA, ANZ, ASEAN Eng) (models 23G 71G 72G 73G 74G 75G 76G 77G)	14F0014	*
Power cord (EMEA) (models 23G 71G 72G 73G 74G 75G 76G 77G)	14F0050	*

8427 Windows XP Home Recovery CDs	FRU #	CRU
US (models 73G 76G)	39J6765	*
FR (models 73G 76G)	39J6766	*
GR (models 73G 76G)	39J6767	*
IT (models 73G 76G)	39J6769	*
SP (models 73G 76G)	39J6768	*
DK (models 73G 76G)	39J6772	*
NL (models 73G 76G)	39J6775	*
AE (models 73G 76G)	39J6779	*
SV (models 73G 76G)	19R1994	*
HE (models 73G 76G)	39J6776	*
FI (models 73G 76G)	39J6773	*
NO (models 73G 76G)	39J6774	*
PL (models 73G 76G)	39J6777	*
PO (models 73G 76G)	39J6783	*
RU (models 73G 76G)	41D1204	*
RE (models 73G 76G)	41D1241	*

8427 Windows XP Home Recovery CDs	FRU #	CRU
HU (models 73G 76G)	39J6782	*
CZ (models 73G 76G)	39J6778	*
TR (models 73G 76G)	39J6781	*
GK (models 73G 76G)	39J6784	*
SL (models 73G 76G)	39J6785	*

8427 Windows XP Pro Recovery CDs	FRU #	CRU
US (models 12U 21U 22U 31U 23G 71G 72G 74G 75G 13U 32U 33U 41U 77G 14U 24U 15U 16U 17U 18U)	39J6597	*
FR (models 22F 31F 23G 71G 72G 74G 75G 13F 32F 77G 14F 24F 16F 17F 18F)	39J6598	*
GR (models 23G 71G 72G 74G 75G 77G)	39J6599	*
IT (models 23G 71G 72G 74G 75G 77G)	39J6601	*
SP (models 23G 71G 72G 74G 75G 77G 14S)	39J6600	*
DK (models 23G 71G 72G 74G 75G 77G)	39J6604	*
NL (models 23G 71G 72G 74G 75G 77G)	39J6607	*
AE (models 23G 71G 72G 74G 75G 77G)	39J6611	*
SV (models 23G 71G 72G 74G 75G 77G)	39J6603	*
HE (models 23G 71G 72G 74G 75G 77G)	39J6608	*
FI (models 23G 71G 72G 74G 75G 77G)	39J6605	*
NO (models 23G 71G 72G 74G 75G 77G)	39J6606	*
PL (models 23G 71G 72G 74G 75G 77G)	39J6609	*
PO (models 23G 71G 72G 74G 75G 77G)	39J6615	*
RU (models 23G 71G 72G 74G 75G 77G)	41D1198	*
RE (models 23G 71G 72G 74G 75G 77G)	41D1223	*
HU (models 23G 71G 72G 74G 75G 77G)	39J6614	*
CZ (models 23G 71G 72G 74G 75G 77G)	39J6610	*
TR (models 23G 71G 72G 74G 75G 77G)	39J6613	*
GK (models 23G 71G 72G 74G 75G 77G)	39J6616	*
SL (models 23G 71G 72G 74G 75G 77G)	39J6617	*
Multilingual 1 (models 23G 71G 72G 74G 75G 77G)	39J6215	*
Multilingual 2 (models 23G 71G 72G 74G 75G 77G)	39J6216	*



---

## Chapter 12. Additional Service Information

This chapter provides additional information that the service representative might find helpful.

---

### Security features

Security features in this section include the following:

- Passwords
- Vital Product Data
- Management Information Format (MIF)
- Alert on LAN™

### Hardware controlled Passwords

Hardware controlled passwords are set using the Setup Utility program. For more information about passwords, see “Using passwords” on page 55.

### Operating system password

An operating system password is very similar to a power-on password and denies access to the computer by an unauthorized user when the password is activated. The computer is unusable until the password is entered and recognized by the computer.

### Vital product data

Each computer has a unique Vital Product Data (VPD) code stored in the nonvolatile memory on the system board. After you replace the system board, the VPD must be updated. To update the VPD, see “Flash update procedures” on page 338.

### Management Information Format (MIF)

Management Information Format (MIF) is a file used to maintain a list of the system unit serial number along with all serialized components (for example, system board, riser card, memory, and processor).

At the time of computer manufacture, the EPROM is loaded with the serial numbers of the system and all major components.

A company called Retain-a-Group is a central data warehouse offering serial number data management. Retain-a-Group acts as a focal point to law enforcement. The customer has the option to purchase serial number information and services from Retain-a-Group. It is the customer’s responsibility to maintain the MIF file and to inform Retain-a-Group of any changes to the file.

Some customers might request that their servicers assist them in maintaining the MIF file when serialized components are replaced during hardware service. This assistance is between the customer and the servicer. The servicer can use the DMI MIF Browser to update the MIF information in the EPROM. It is anticipated that some servicers might charge for this service.

To update the EPROM using the DMI MIF Browser, use the following procedure.

1. Click **Start** from the desktop, then **Programs**.
2. Select **SystemView Agent**
3. Select the **Serial Number Information** icon
4. Click the plus sign to expand.
5. Select the component you want to view or edit.
6. Double click on the component you want to change.
7. Enter new data in the *Value* field, then click **Apply**.

---

## BIOS levels

An incorrect level of BIOS can cause false errors and unnecessary FRU replacement. Use the following information to determine the current level of BIOS installed in the computer, the latest BIOS available for the computer, and where to obtain the latest level of BIOS.

- Current Level BIOS information
  - Run the Setup Utility to determine the level of BIOS installed.
- Sources for obtaining the latest level BIOS available
  1. Lenovo support web site:  
<http://www.lenovo.com/think/support/>
  2. Lenovo Customer Support Center
  3. Levels 1 and 2 Support

To update (flash) the BIOS, see “Flash update procedures.”

---

## Flash update procedures

This section details how to flash (update) the BIOS.

### Updating (flashing) BIOS from a diskette or CD-ROM

1. Shut down the operating system and turn off the computer.
2. Insert the flash update diskette or CD-ROM.
3. Turn on the computer. The update begins.
4. When you are prompted to select a language, press the number on your keyboard that corresponds to the language; then press Enter.
5. When prompted to change the serial number, press Y, type the seven character serial number of your computer, and then press Enter.
6. When prompted to change the machine type/model, press Y, type the seven character machine type/model of your computer, and then press Enter.
7. Follow the instructions on the screen to complete the update.

### Updating (flashing) BIOS from your operating system

**Note:** Due to constant improvements being made to the Lenovo Web site, Web page content (including the links referenced in the following procedure) is subject to change.

1. From your browser, type <http://www.lenovo.com/think/support>.
2. In the Use Quick path field, type your 4-digit machine type and click **Go**.
3. Under Browse by product, click **Downloads and drivers**.
4. Scroll down to the BIOS category and click on the **Flash Bios Update**.



5. On the Flash BIOS Update page, scroll down to locate the .txt file for the flash from the operating system version. Click the .txt file.
6. Print these instructions. This is very important because these instructions are not on the screen after the download begins.
7. From the browser, click **Back** to return to the list of files. Carefully follow the printed instructions to download, extract, and install the update.

## Recovering from a POST/BIOS update failure

**Attention:** If an interruption occurs during a POST/BIOS update (flash update), the computer might not restart correctly. If this occurs, perform the following procedure (also known as a Boot-block recovery).

**Note:** If your computer has no internal diskette drive, an optional USB diskette drive must be connected to use the BIOS flash diskette.

1. Open the cover.
2. Remove any parts necessary to gain access to the Clear CMOS/Recovery jumper.
3. Move the Clear CMOS/Recovery jumper from the standard position (pins 1 and 2) to pins 2 and 3.
4. Insert the BIOS flash diskette in the diskette drive.
5. Close the cover and reconnect the computer power cord to the computer and to an electrical outlet. Turn on the computer.
6. The recovery session takes two to three minutes. During this time you will hear a series of beeps. After the update session completes, the series of beeps ends and the computer automatically turns off. There is no video during the recovery session.
7. When the computer turns off, open the cover.
8. Move the Clear CMOS/Recovery jumper back to the original position (pins 1 and 2).
9. Remove the BIOS flash diskette from the diskette drive.
10. Close or install the cover and reconnect all external cables.

---

## Power management

Power management reduces the power consumption of certain components of the computer such as the system power supply, processor, hard disk drives, and some monitors.

### Automatic configuration and power interface (ACPI) BIOS

Being an ACPI BIOS system, the operating system is allowed to control the power management features of the computer and the setting for Advanced Power Management (APM) BIOS mode is ignored. Not all operating systems support ACPI BIOS mode.

### Automatic Power-On features

The Automatic Power-On features within the Power Management menu allow you to enable and disable features that turn on the computer automatically.

- **Serial Port A Ring Detect:** With this feature set to **Enabled** and an external modem connected to serial port (COM1), the computer will turn on automatically when a ring is detected on the modem.
- **PCI Modem Ring Detect:** With this feature set to **Enabled**, the computer will turn on automatically when a ring is detected on the internal modem.
- **PCI Wake Up:** This feature allows PCI cards that support this capability to wake the system.
- **Wake Up on Alarm:** You can specify a date and time at which the computer will be turned on automatically. This can be either a single event or a daily event.
- **Wake on LAN:** If the computer has a properly configured token-ring or Ethernet LAN adapter card that is Wake on LAN-enabled and there is remote network management software, you can use the Wake on LAN feature. When you set Wake on LAN to **Enabled**, the computer will turn on when it receives a specific signal from another computer on the local area network (LAN).

---

## Recovering software using the Rescue and Recovery program

The Rescue and Recovery program provides an environment that runs independently of the Windows operating system and is hidden from the Windows operating system. Because the Rescue and Recovery workspace is hidden, it is immune from most virus attacks and provides a safe place to perform rescue and recovery operations that might not be possible in the Windows environment. The following recovery solutions are provided by the Rescue and Recovery program:

- Create Product Recovery discs.
- Create rescue media.
- Back up your hard disk periodically.
- Create a Recovery Repair diskette.

If a problem with the software is encountered, you can use the recovery tools from either the Windows environment or from the Rescue and Recovery workspace to do one of the two recovery operations:

- Rescue files
- Restore your backups

### Starting the Rescue and Recovery workspace

To start the program:

1. If your computer is already on when you start this procedure, shut down the operating system and turn off the computer.
2. Repeatedly press the F11 key as you turn on the computer.

**Note:** If a user password or an administrator password has been set, the Rescue and Recovery workspace is not displayed until you type the password.

3. The Rescue and Recovery workspace is displayed.

Refer to the *Quick Reference* that comes with the computer and the Rescue and Recovery help system for additional information about using the Rescue and Recovery program.



---

## Appendix. Notices

Lenovo may not offer the products, services, or features discussed in this document in all countries. Consult your local Lenovo representative for information on the products and services currently available in your area. Any reference to a Lenovo product, program, or service is not intended to state or imply that only that Lenovo product, program, or service may be used. Any functionally equivalent product, program, or service that does not infringe any Lenovo intellectual property right may be used instead. However, it is the user's responsibility to evaluate and verify the operation of any other product, program, or service.

Lenovo may have patents or pending patent applications covering subject matter described in this document. The furnishing of this document does not give you any license to these patents. You can send license inquiries, in writing, to:

*Lenovo (United States), Inc.  
500 Park Offices Drive, Hwy. 54  
Research Triangle Park, NC 27709  
U.S.A.  
Attention: Lenovo Director of Licensing*

LENOVO GROUP LTD. PROVIDES THIS PUBLICATION "AS IS" WITHOUT WARRANTY OF ANY KIND, EITHER EXPRESS OR IMPLIED, INCLUDING, BUT NOT LIMITED TO, THE IMPLIED WARRANTIES OF NON-INFRINGEMENT, MERCHANTABILITY OR FITNESS FOR A PARTICULAR PURPOSE. Some jurisdictions do not allow disclaimer of express or implied warranties in certain transactions, therefore, this statement may not apply to you.

This information could include technical inaccuracies or typographical errors. Changes are periodically made to the information herein; these changes will be incorporated in new editions of the publication. Lenovo may make improvements and/or changes in the product(s) and/or the program(s) described in this publication at any time without notice.

The products described in this document are not intended for use in implantation or other life support applications where malfunction may result in injury or death to persons. The information contained in this document does not affect or change Lenovo product specifications or warranties. Nothing in this document shall operate as an express or implied license or indemnity under the intellectual property rights of Lenovo or third parties. All information contained in this document was obtained in specific environments and is presented as an illustration. The result obtained in other operating environments may vary.

Lenovo may use or distribute any of the information you supply in any way it believes appropriate without incurring any obligation to you.

Any references in this publication to non-Lenovo Web sites are provided for convenience only and do not in any manner serve as an endorsement of those Web sites. The materials at those Web sites are not part of the materials for this Lenovo product, and use of those Web sites is at your own risk.

Any performance data contained herein was determined in a controlled environment. Therefore, the result obtained in other operating environments may

vary significantly. Some measurements may have been made on development-level systems and there is no guarantee that these measurements will be the same on generally available systems. Furthermore, some measurements may have been estimated through extrapolation. Actual results may vary. Users of this document should verify the applicable data for their specific environment.

---

## Television output notice

The following notice applies to models that have the factory-installed television-output feature.

This product incorporates copyright protection technology that is protected by method claims of certain U.S. patents and other intellectual property rights owned by Macrovision Corporation and other rights owners. Use of this copyright protection technology must be authorized by Macrovision Corporation, and is intended for home and other limited viewing uses only unless otherwise authorized by Macrovision Corporation. Reverse engineering or disassembly is prohibited.

---

## Trademarks

The following terms are trademarks of Lenovo in the United States, other countries, or both:

- Lenovo
- ThinkCentre
- PS/2
- Rescue and Recovery

The following terms are trademarks of International Business Machines Corporation in the United States, other countries, or both:

- Asset ID
- Alert on LAN
- IBM (used under license)
- Wake on LAN

Intel and Pentium are trademarks of Intel Corporation in the United States, other countries, or both.

Microsoft and Windows are trademarks of Microsoft Corporation in the United States, other countries, or both.

Other company, product, or service names may be trademarks or service marks of others.



**ThinkCentre**<sup>®</sup>

Part Number: 19R0486

Printed in USA

(1P) P/N: 19R0486

