



## Rack Installation Instructions

Review the documentation that comes with your rack for safety and cabling information. When installing your server in a rack, consider the following:

- Two or more people are required to install the device in a rack.
- Ensure the room air temperature is below 35°C (95°F).
- Do not block any air vents, usually 15 cm (6 in.) of air space provides proper airflow.
- Plan the device installation starting from the bottom of the rack.
- Install the heaviest device in the bottom of the rack.
- Do not extend more than one device out of the rack at the same time.
- Remove the rack doors and side panels to provide easier access during installation.



Use safe practices when lifting.



≥18 kg (39.7 lb)



≥32 kg (70.5 lb)



≥55 kg (121.2 lb)

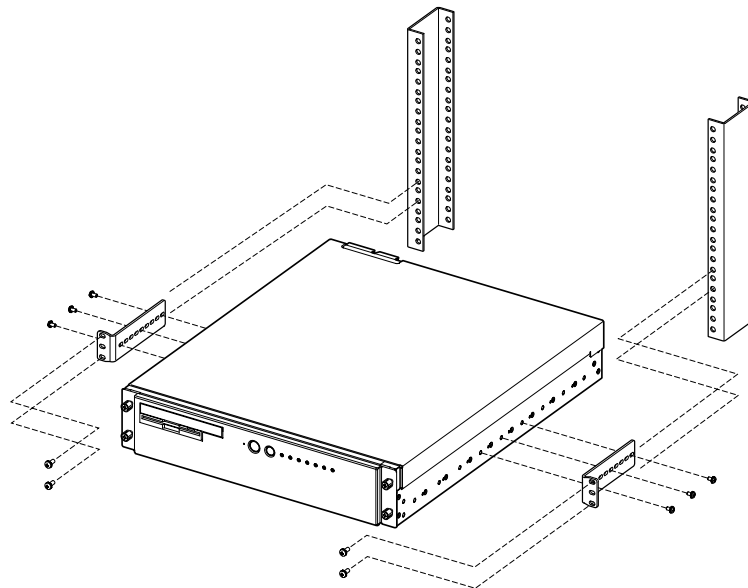


Do not place any object weighing more than 50 kg (110 lb) on top of rack-mounted devices.



>50 kg (110 lb)

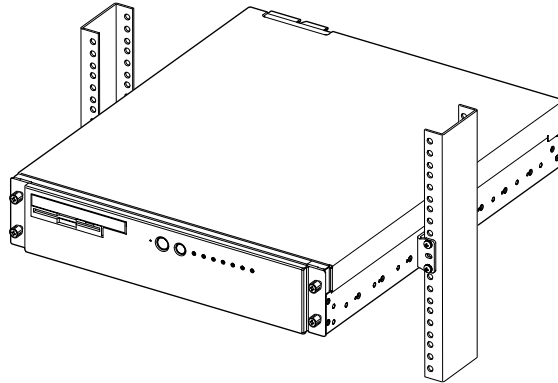
Verify the contents of the rack mount kit and layout the parts as shown below.



Multiple holes in the mounting bracket combined with multiple threaded holes in the chassis allow adjustment of the bracket on approximately 1/2-inch centers up to the practical limits of weight distribution. Attach the mounting brackets to the center three mounting holes (counting from the front or back, holes 4, 5, and 6) in the chassis using at least four of the six screws provided in the kit. Install the chassis in the rack using four rack screws (not provided in the rack mount kit).

 **NOTE**

You will need to provide the four screws required to attach the rack mount kit to the rack since the requirements for these screws vary with the type of rack being used.



Included with system:  
2 mounting brackets  
6 mounting screws

---

IBM is a trademark of the IBM Corporation in the United States, other countries, or both.

© Copyright International Business Machines Corporation 2002. All rights reserved.

Note to U.S. Government Users — Documentation related to restricted rights — Use, duplication or disclosure is subject to restrictions set forth in GSA ADP Schedule Contract with IBM Corp.