

Rack mounting instructions

Review the following guidelines before you install devices in the rack cabinet:

- Review the documentation that comes with your rack enclosure for safety and cabling information.
- Ensure that the room air temperature is below 35°C (95°F).
- Maintain 15 cm (6 in.) of clearance around your server for air circulation.
- Plan the device installation starting from the bottom of the rack.
- Remove the rack doors and side panels to provide easier access during installation, if necessary.
- Connect the server to a properly grounded outlet.
- Do not overload the power outlet when installing multiple devices in the rack.

Caution Statement 4



Use safe practices when lifting.



≥18 kg (39.7 lb)



≥32 kg (70.5 lb)



≥55 kg (121.2 lb)

Caution Statement 10

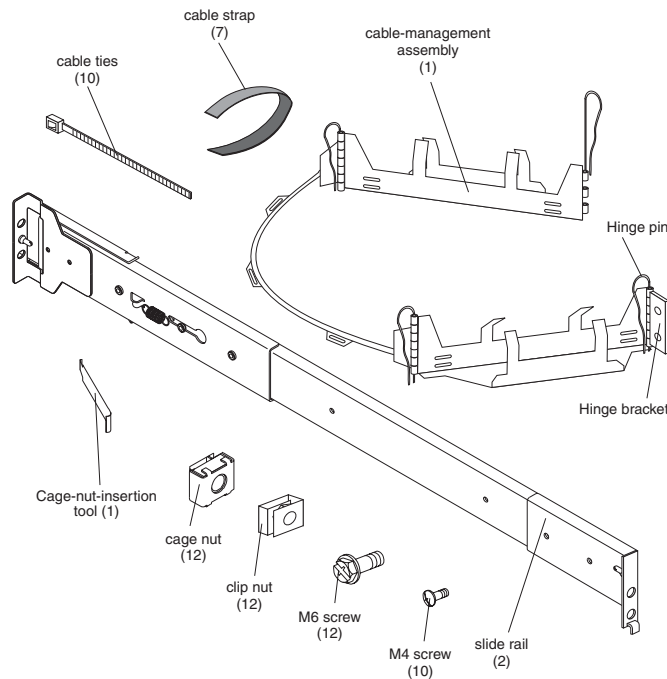


Do not place any object weighing more than 50 kg (110 lbs) on top of rack-mounted devices.

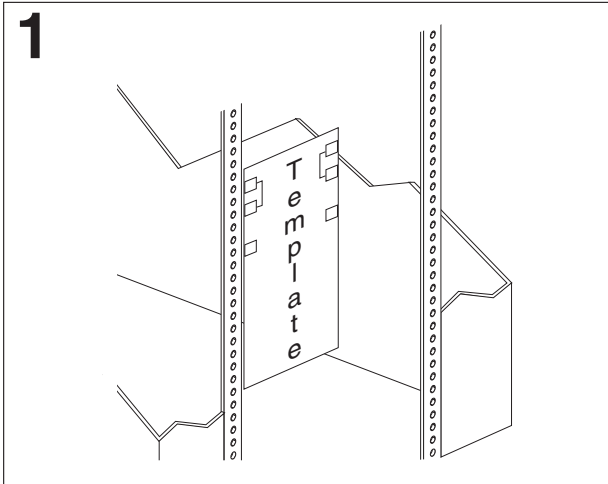


>50 kg (110 lb)

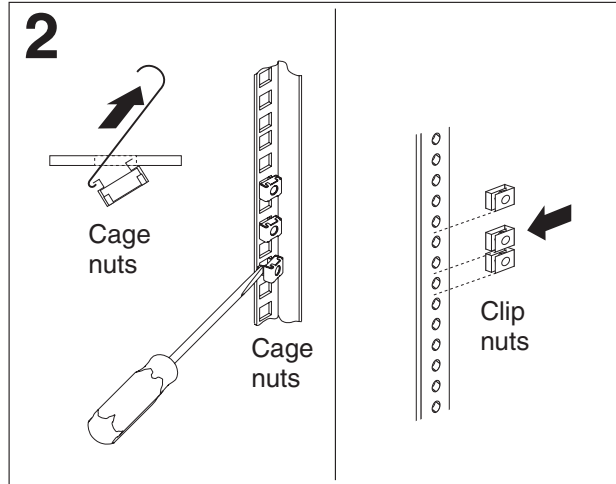
You will need an assortment of small screwdrivers and an 8-inch adjustable wrench or pliers during the installation. The following come with your rack installation kit. If any items are missing or damaged, contact your place of purchase.



© Copyright International Business Machines Corporation 2002. All rights reserved.
 Note to U.S. Government Users — Documentation related to restricted rights — Use, duplication or disclosure is subject to restrictions set forth in GSA ADP Schedule Contract with IBM Corp.

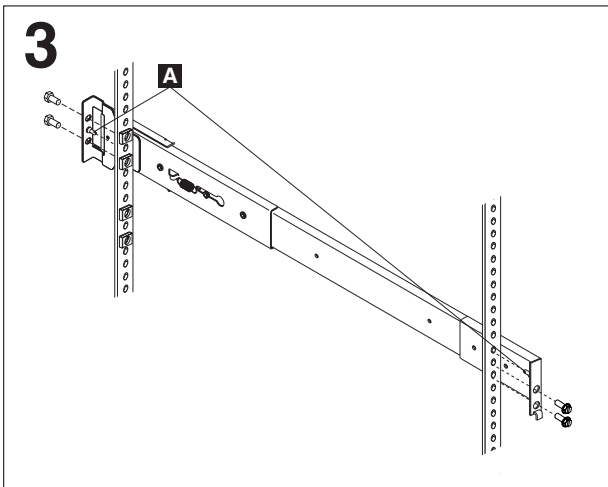


Position the template on the rack so that the edges of the template do not overlap any other devices to be installed. Line up and select the holes on the front and rear of the rack in the locations indicated by the arrows on the attached template.



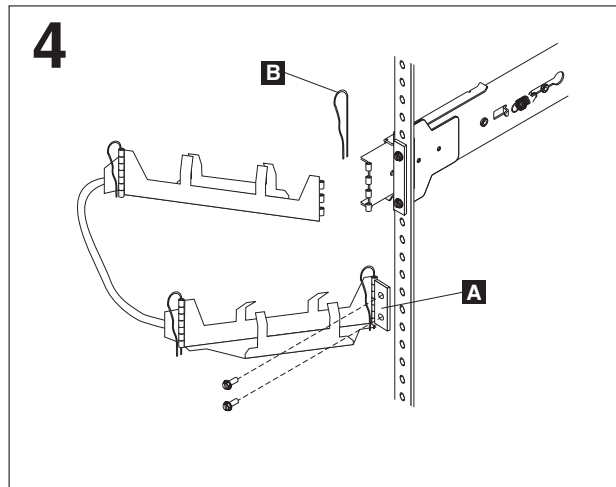
Use the cage-nut-insertion tool or a screwdriver to install the cage nuts, or the clip nuts, as required for your rack, into the selected holes.

Note: For racks with square holes, use the cage nuts. For racks with round holes, use clip nuts.



Use the pins **A** on the slide rail to align the slide rail to the rack. Insert and fully tighten both front M6 screws; then, insert and partially tighten both rear M6 screws.

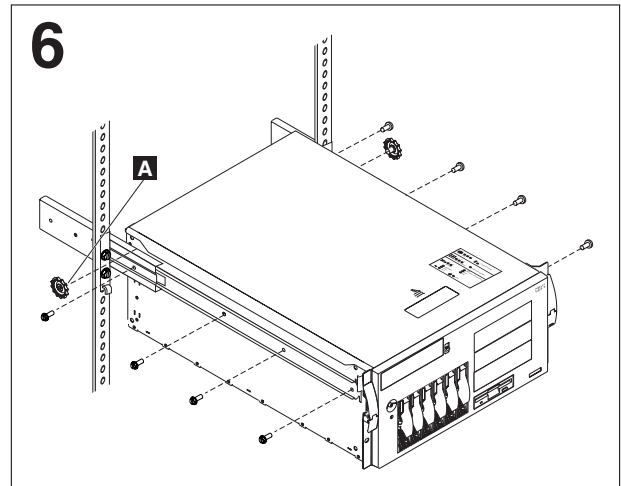
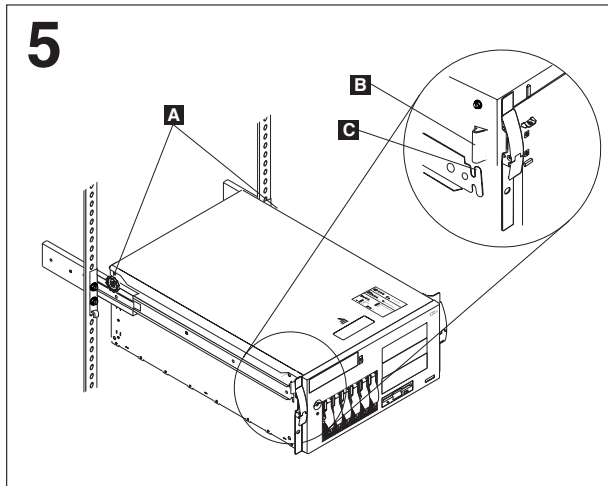
Note: The slide rails are labeled for the left and right.



Use the M6 screws to attach the hinge bracket **A** to the rear of the rack.

Note: Ensure that the location of the hinge bracket **A** does not interfere with access to other rack-mounted devices.

Then, use the hinge pin **B** to attach the cable-management assembly to the slide rail.

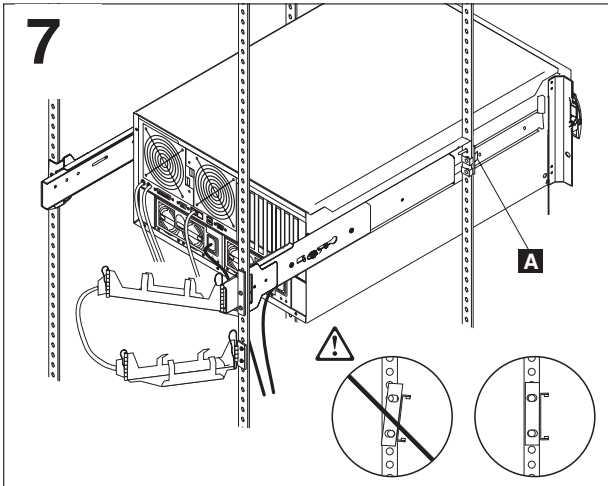


Attention: To avoid injury, do not place your fingers around the blue rack-support wheels **A** when lowering the server onto the rails. (The blue rack-support wheels are used to help align the sever as you install it in the rack. You will be instructed to remove them later.)

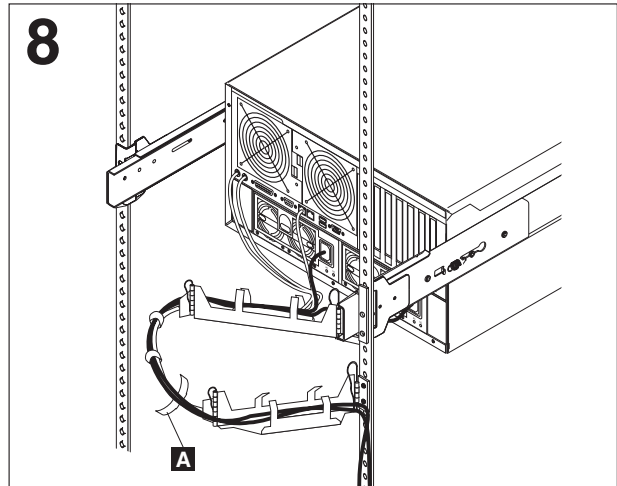
Fully extend the slide rails out of the rack. Lift the server above the rails; then, rest the rack-support wheels **A** on the slide rails. Lower the front of the server onto the slide rails.

Note: Be sure that the bracket notches **B** on the front of the server fit securely on the tabs **C** located on the front of the slide rails.

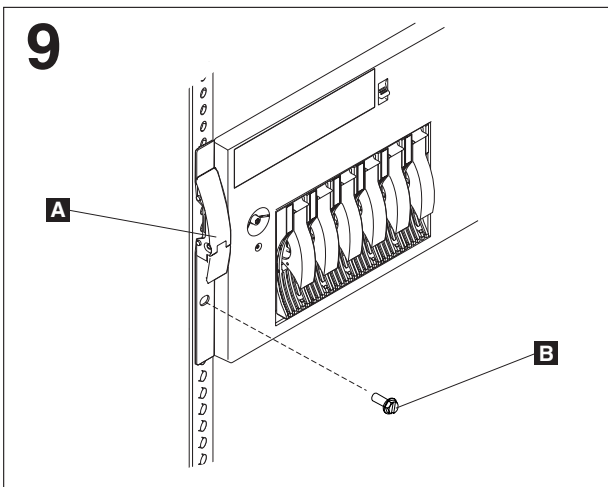
Use the M4 screws to secure the server to the rails. Unscrew the rack-support wheels **A** and store them for potential future use.



Press in on the safety latches **A** and slide the server fully into the rack. Ensure that the rear slide rail brackets are vertically aligned; then, fully tighten the rear M6 screws. Slide the server halfway out of the rack; then, loosen the front M6 screws. While one person supports and slightly lifts the front of the server, ensure that the front brackets are vertically aligned and fully retighten the front M6 screws. Connect all external cables to the server.



Route all the cables through the cable-management assembly as shown. Then, use the cable straps **A** to secure the cables to the cable-management assembly.



Slide the server into the rack until the release latches **A** on the front of the server snap shut. Then, insert the M6 screws **B** through the release-latch-bracket assembly.

Note: Inserting the M6 screws **B** is optional, unless you are moving the rack or the rack is in a vibration-prone area.

See your server documentation to complete the installation.

Store these instructions with the documentation that comes with your server.



IBM is a trademark of IBM Corporation.

Part Number: 33P2572