



System Storage EXP3000 Rack Installation Instructions

Review the documentation that comes with your rack cabinet for safety and cabling information. When you install the IBM® System Storage EXP3000 in a rack cabinet, consider the following information:

- If the EXP3000 is fully configured, two people are required to install the device in a rack cabinet. To reduce the weight of the unit for easier installation in a rack, remove the hard disk drives and power supplies.
- Make sure that the room air temperature is below 35°C (95°F).
- Do not block any air vents; usually, 15 cm (6 in.) of air space provides proper airflow.
- Plan the device installation starting from the bottom of the rack cabinet.
- Install the heaviest device in the bottom of the rack cabinet.
- Do not extend more than one device out of the rack cabinet at the same time.
- Do not leave open spaces above or below devices in a rack cabinet. To help prevent damage to device components, always install a blank filler panel to cover the open space and to help ensure proper air circulation.
- Connect all power cords to properly wired and grounded electrical outlets.
- Do not overload the power outlet when you install multiple devices in the rack.
- Do not set the unit on a flat surface if the chassis bezels are installed.
- Make sure that the rack depth (front to back, measured inside the vertical rails) is 23 - 32.6 in. (584 - 828 mm).
- The EXP3000 requires 2 U of vertical space in the rack cabinet.



Use safe practices when lifting.



≥18 kg (39.7 lb)



≥32 kg (70.5 lb)



≥55 kg (121.2 lb)

DANGER

Rack-mounted devices are not to be used as shelves or work spaces.

(L002)



You will need a 5 mm (3/16-in.) flat-blade screwdriver during the installation. A #2 Phillips screwdriver and an 8 mm wrench are optional.

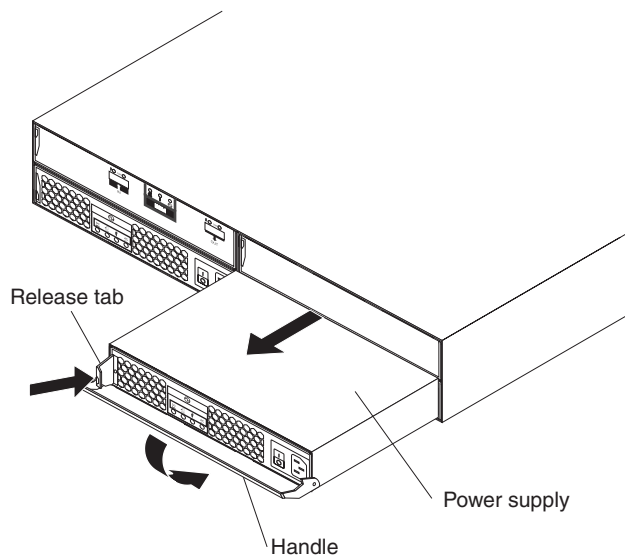
The following is a list of items that you need to install the unit in the rack cabinet. If any items are missing or damaged, contact your place of purchase.

- Rail assembly, right (1)
- Rail assembly, left (1)
- M5 screws (8)
- Small diameter spacers (8) (these come installed, four in each rail)
- Large diameter spacers (8)
- M4 pan-head screws (2)
- 15 mm (0.60 in.) diameter washers (6)

Note: For handling guidelines before removing any static-sensitive devices, see the documentation that comes with the EXP3000.

To install the EXP3000 in a rack cabinet, complete the following steps:

1. Read the safety information that comes with the EXP3000.
2. (Optional) To reduce the weight of the unit for easier installation in the rack cabinet, remove the power supplies. To remove a power supply, complete the following steps:
 - On the left side of a power supply, press the orange release tab to the right just enough to release the handle [no more than 6.4 mm (0.24 in.)] as you rotate the handle downward.

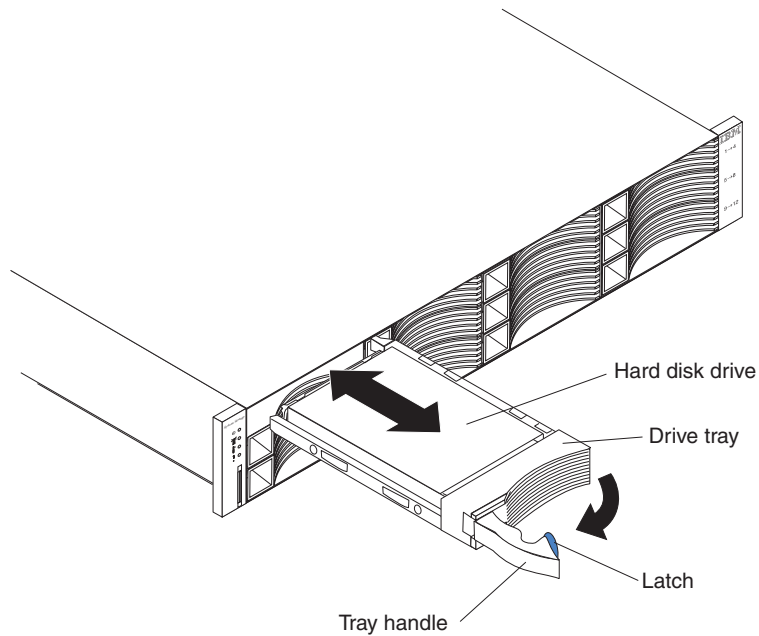


- Carefully slide the power supply out of the unit.
- Repeat this step for the other power supply; then, set both units aside for later installation.

- (Optional) To reduce the weight of the unit for easier installation in the rack cabinet, remove the hard disk drives. To remove a hard disk drive, press the latch and pull out the handle; then, carefully pull the drive from the unit. Repeat this step for all hard disk drives.

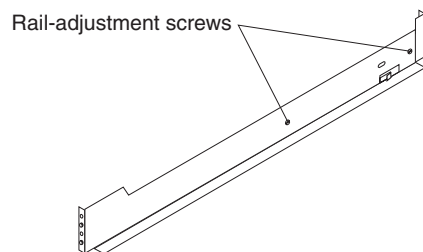
Notes:

- Before you remove any hard disk drives, make sure that you mark their locations so that you can reinstall them in the same locations.
- Handle hard disk drives gently and do not stack them. Follow all precautions for static-sensitive devices.



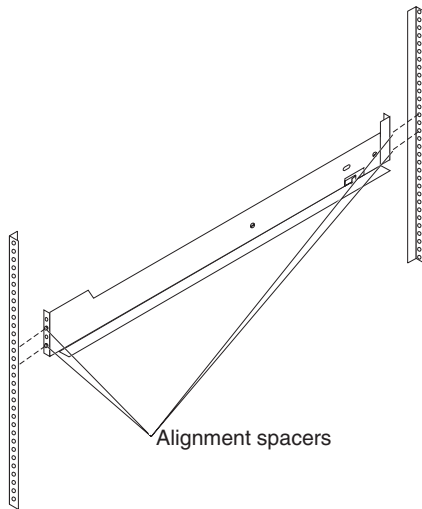
- Loosen the two rail-adjustment screws on one rail just enough to enable the rails to slide.

Note: The rails are marked with an "L" or "R" on the front brackets.

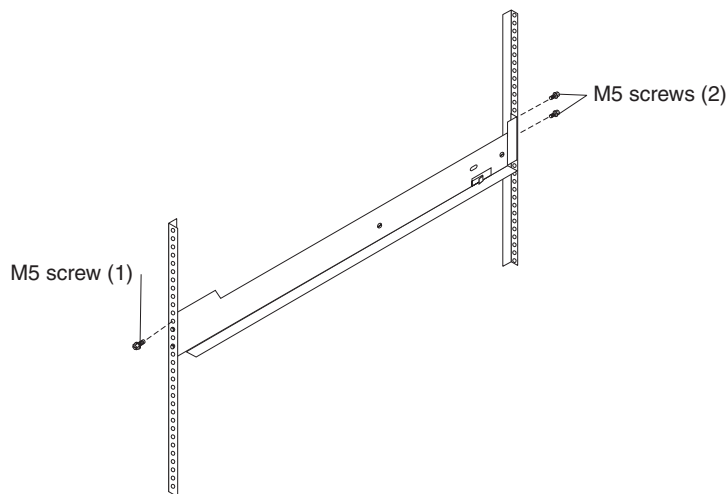


5. Align the rail with the inside of the front and rear of the rack cabinet. The bottom of the rail support ledge should be slightly above the U mark on the rack flange.

The rail comes with two spacers in the front bracket and two spacers in the rear bracket. If the rack has round holes, the spacers on the rail brackets fit into the round holes in the rack flanges. If the rack has square holes, replace the set of small spacers on the front and rear of the rail with the larger spacers that come with the rail kit.

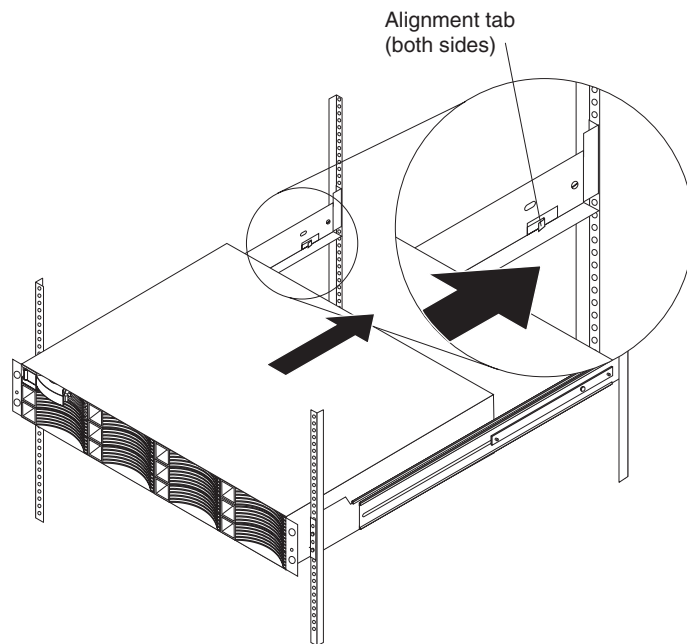


6. Secure the rail to the front of the rack cabinet with one M5 screw in the top hole of the bracket. For racks with square holes, add one washer between the M5 screw and the rail bracket.

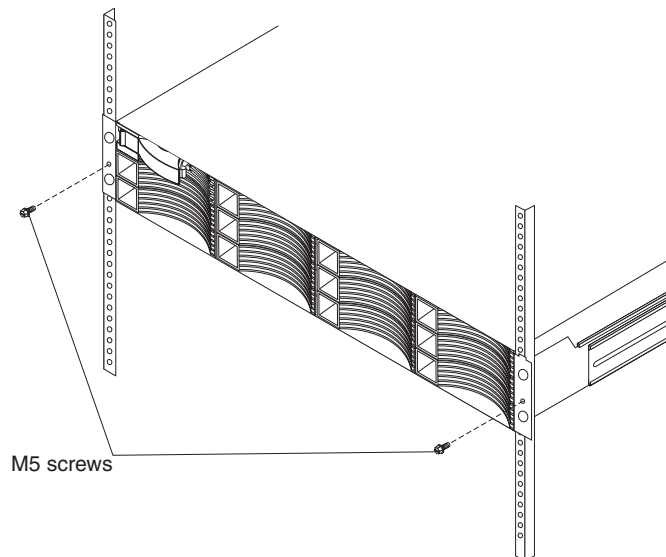


7. Secure the rail to the rear of the rack cabinet with two M5 screws in the top and bottom holes in the rear rail bracket (see the illustration in step 6). For racks with square holes, add one washer between each M5 screw and the rail bracket.
8. Tighten the rail-adjustment screws.
9. Repeat step 4 on page 3 through step 8 for the other rail.

- Slide the unit into the rack cabinet, making sure that it slides into the tabs on the rear of the rail.

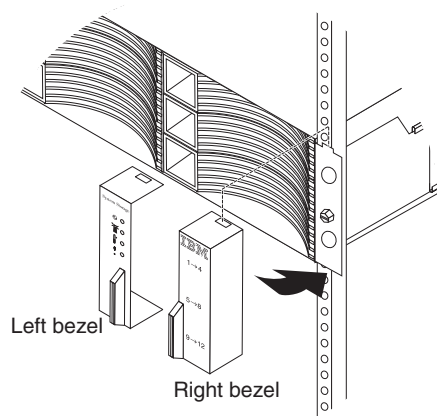


- Secure the front of the unit to the rack cabinet with one M5 screw in the open hole in each bracket (no washer is required).



- Secure the rear of the unit to each rail assembly with one M4 pan-head screw in the slotted hole on the outside of the EXP3000 chassis wall.
- Reverse the procedures in step 2 on page 2 and step 3 on page 3 to reinstall the power supplies and hard disk drives.
- Connect a power cord to each power supply. Use the power-cord guide for strain relief to prevent the power cord from disconnecting accidentally.

15. Install the left bezel (it has the LEDs) and the right bezel. Fit the cutout on the top of the bezel over the tab on the chassis flange and then rotate the bezel down until it snaps into place. Make sure that the inside surface of the bezel is flush with the chassis.



First Edition (August 2006)

IBM is a trademark of the International Business Machines Corporation in the United States, other countries, or both.

© Copyright International Business Machines Corporation 2006. All rights reserved.

US Government Users Restricted Rights – Use, duplication or disclosure restricted by GSA ADP Schedule Contract with IBM Corp.

(1P) P/N: 31R1655

