



Rack Installation Instructions

Review the documentation that comes with your rack cabinet for safety and cabling information. When installing your server in a rack cabinet, consider the following:

- Two or more people are required to install the device in a rack cabinet.
- You must have a NetBAY™ 25, NetBAY42, NetBAY42 Enterprise, NetBAY22 with Rack Extension Kit, Netfinity® 9306 Model 900 with Rack Extension Kit, or similar rack cabinet.
- Ensure the room air temperature is below 35°C (95°F).
- Do not block any air vents, usually 15 cm (6 in.) of air space provides proper airflow.
- Plan the device installation starting from the bottom of the rack cabinet.
- Install the heaviest device in the bottom of the rack cabinet.
- Do not leave open spaces above or below an installed server in a rack cabinet. To help prevent damage to server components, always install a blank filler panel to cover the open space and to help ensure proper air circulation.
- Do not extend more than one device out of the rack cabinet at the same time.
- Connect all power cords to properly wired and grounded electrical outlets.
- Take precaution to prevent overloading the power outlets when you install multiple devices in a rack cabinet.



Use safe practices when lifting.



≥18 kg (39.7 lb)



≥32 kg (70.5 lb)



≥55 kg (121.2 lb)

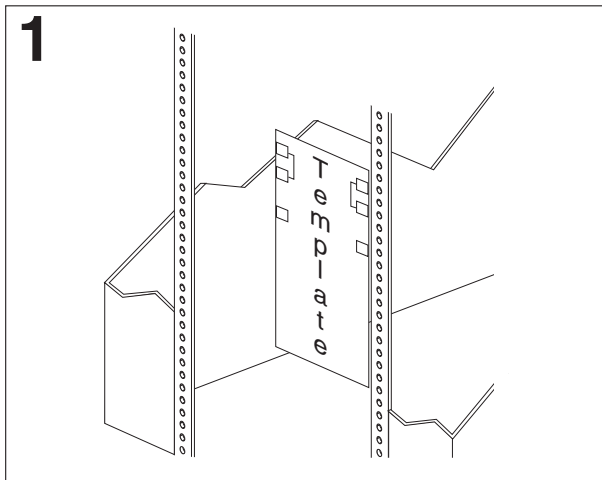
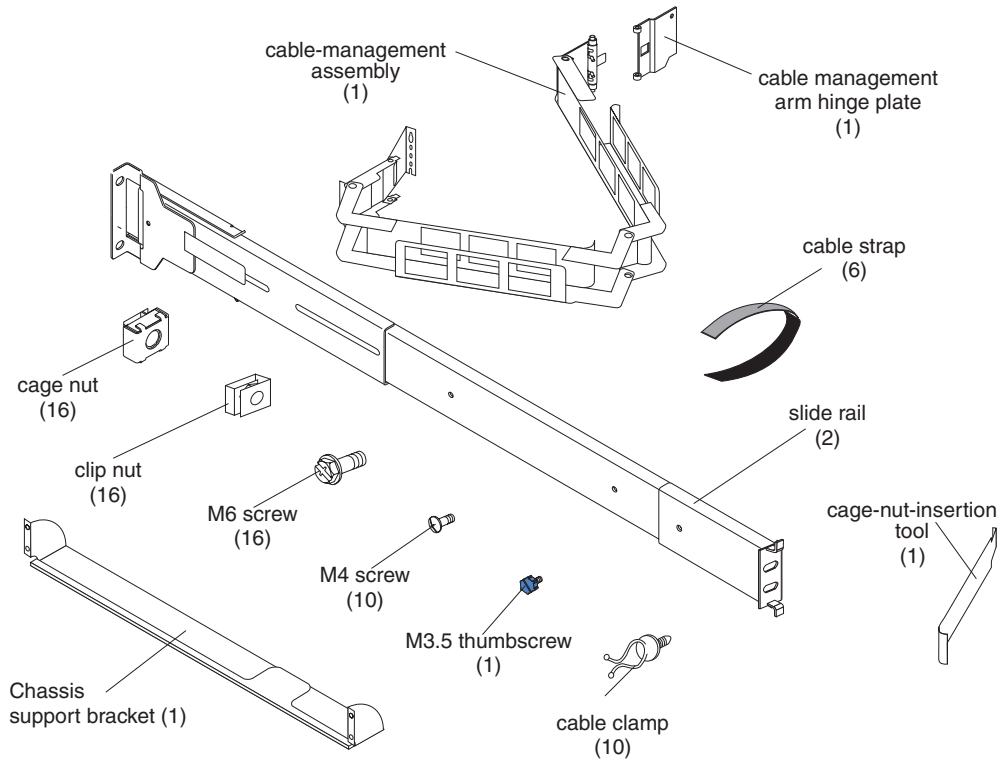


Do not place any object weighing more than 50 kg (110 lb) on top of rack-mounted devices.

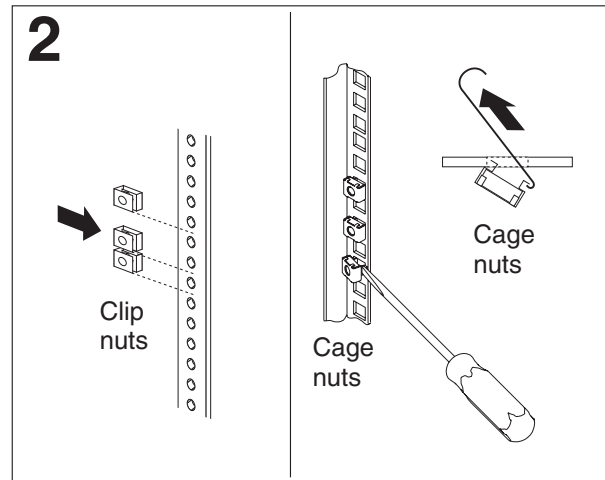


≥50 kg (110 lb)

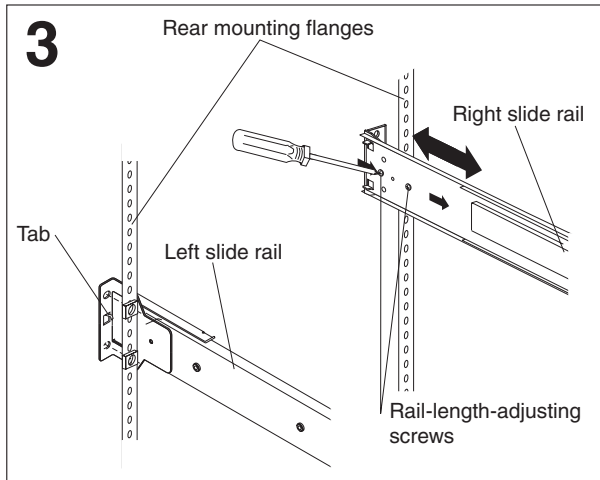
You will need a flat-blade and a Phillips screwdriver during the installation. The following illustration shows the items that you need to install the server in your rack cabinet. If any items are missing or damaged, contact your place of purchase.



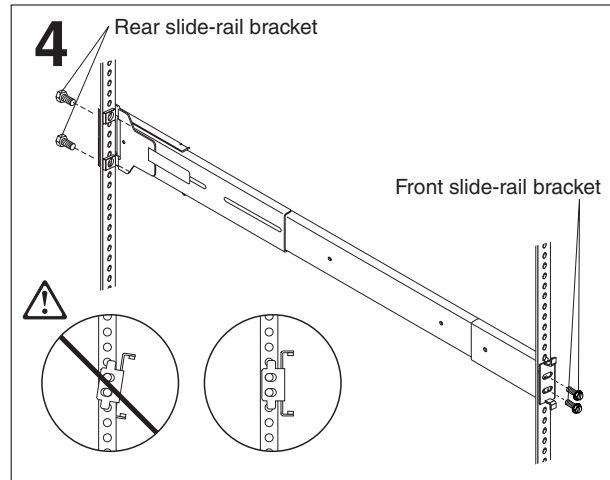
1 Use the attached rack-mounting template to locate the holes on the front and rear rack-mounting flanges.



2 Install cage nuts or clip nuts as required for your rack cabinet. Use the cage-nut-insertion tool or a flat-blade screwdriver to install cage nuts.

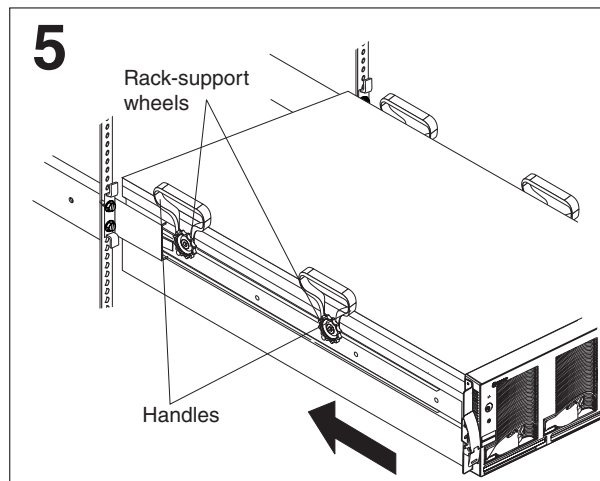


Use the tab on the rear of each slide rail to align the slide rail to the rear mounting flanges. If the front slide rail bracket does not align with the front mounting flange, slightly loosen the rail-length-adjusting screws and adjust the length of the rail.



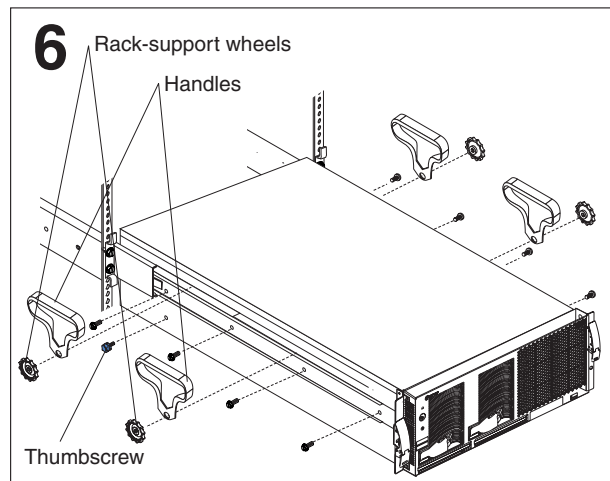
Install the slide rails, ensuring that the front and rear slide rail brackets for both slide rails are vertically aligned. Insert and partially tighten the four rear M6 screws; then, insert and fully tighten the four front M6 screws.

If you loosened the rail-length-adjusting screws, tighten them; then, fully extend the rails out of the rack cabinet until they lock into place.



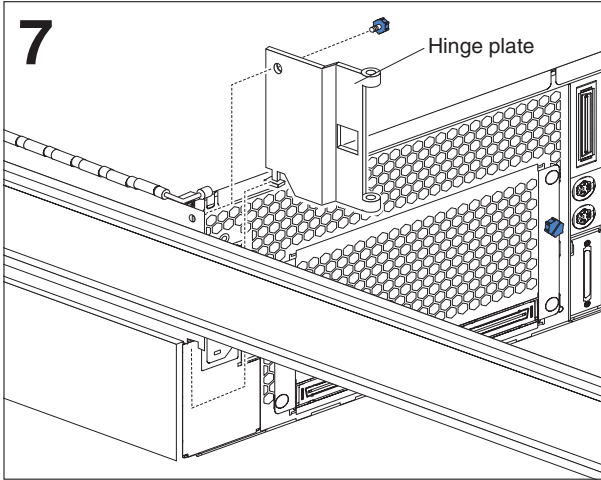
Attention: To avoid injury, do not place your fingers around the rack-support wheels when positioning the server on the rails.

Ensure that the handles are fully upright as shown in the illustration above; then, use the handles to position the server in front of and level with the rails, aligning the channels on the sides of the server with the rails. Slide the server onto the rails, resting the rack-support wheels on the rails, until the release latches contact the rails.

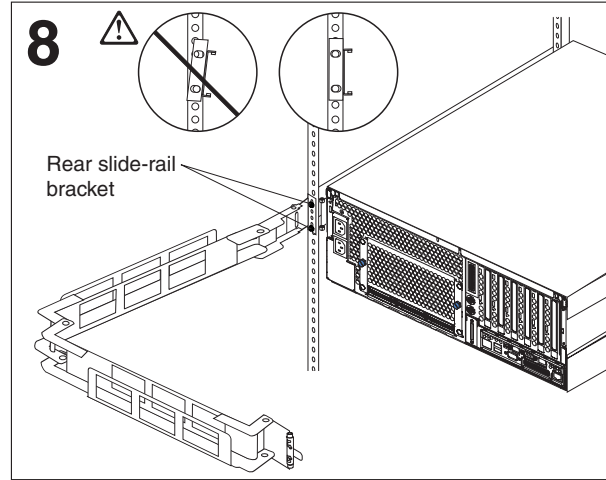


Use four M4 screws per side to secure the server to the rails; then, remove the rack-support wheels and the handles and store them in a safe place. Also remove the blue thumbscrew from the left side of the server and store it in a safe place.

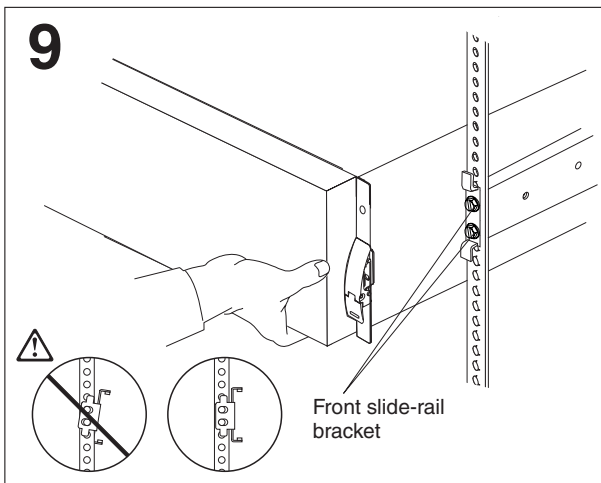
Note: The rack-support wheels and the handles are required if you remove the server from the rack cabinet. You must also install the blue thumbscrew if you intend to remove the server from the rack cabinet and move the server to a new location.



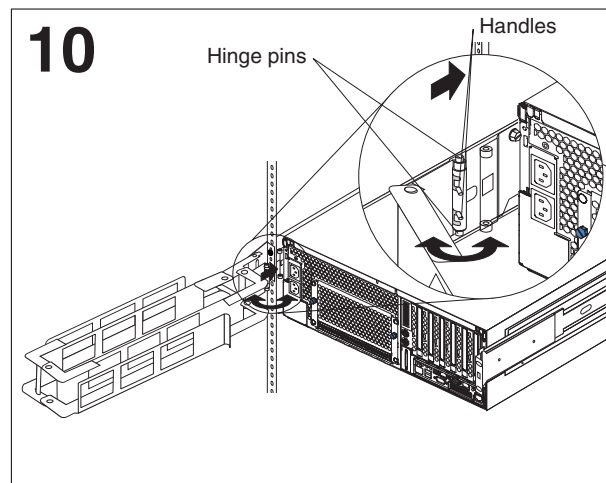
Insert the tab on the bottom edge of the cable-management-arm hinge plate into the slot at the rear-left side of the server; then, attach the plate to the server with the M3.5 thumbscrew.



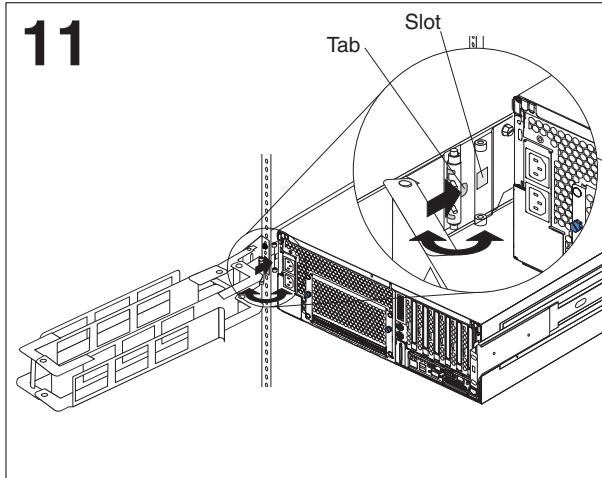
Press in on the slide-rail-locking latches and slide the server fully into the rack cabinet. Slide the cable-management-arm bracket over the right-rear M6 screws. Ensure that both rear slide-rail brackets are vertically aligned; then, fully tighten the four rear M6 screws.



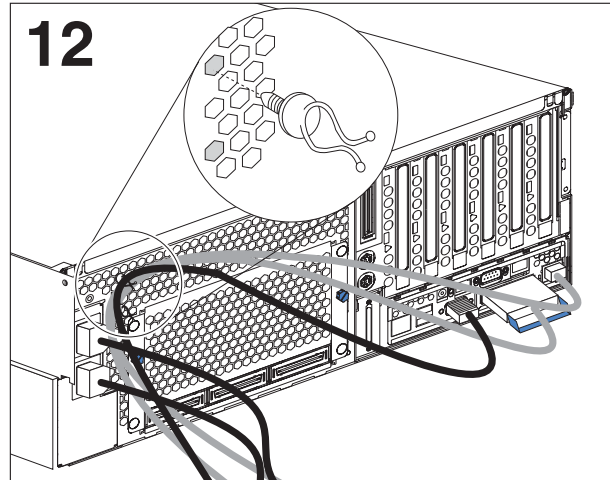
Slide the server halfway out of the rack cabinet; then, loosen but do not remove the four front M6 screws. While one person supports the front of the server by lifting it slightly, ensure that the front slide-rail brackets are vertically aligned; then, fully tighten the four front M6 screws.



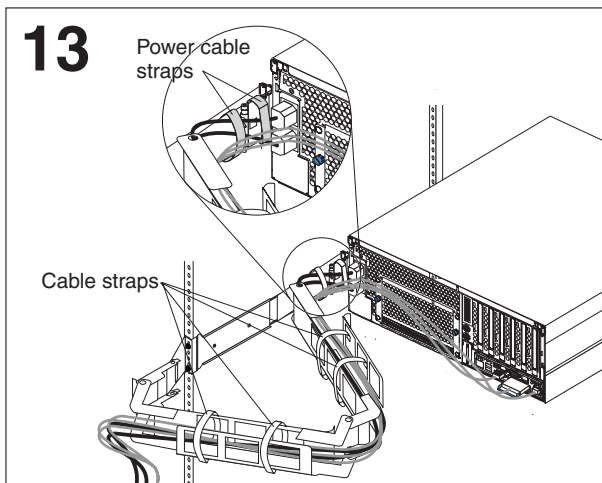
Slide the server fully into the rack cabinet until it locks into place. Using the handles on the free end of the cable-management arm, retract the spring-loaded hinge pins; then, rotate the handles to lock the pins in the retracted position.



Slide the tab on the cable-management arm into the slot in the hinge plate; then, release the hinge pins into the holes in the plate.

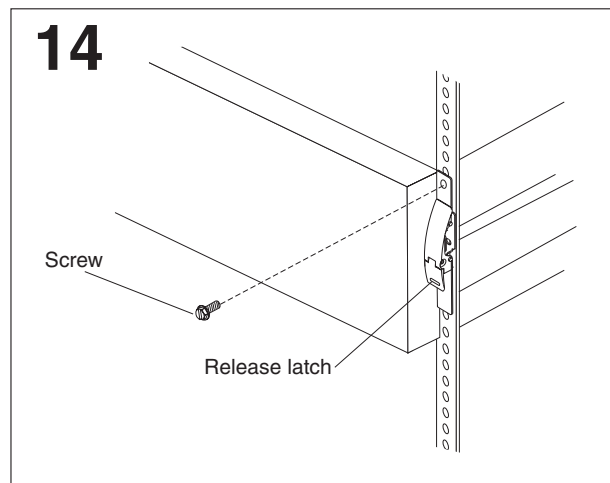


Attach cables to the rear of the server (such as keyboard, mouse, and monitor cables if required). Route the cables toward the left side of the server. Use the cable clamps to secure cables along the way. Insert clamps only in the column of ventilation holes immediately to the right of the ac power connectors. If you insert the clamps in columns elsewhere, they will interfere with the removal of internal components.



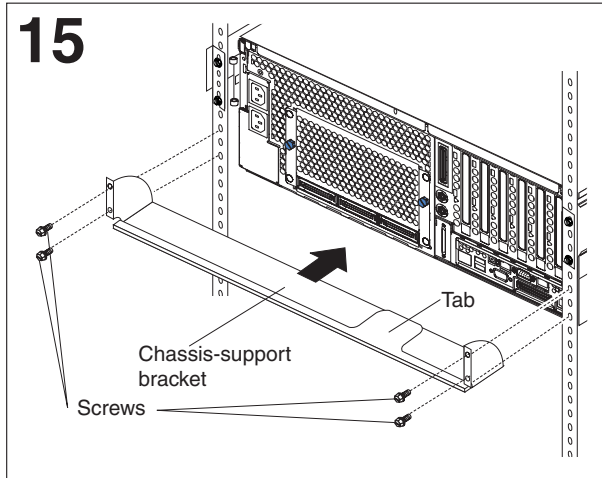
Route the cables through the cable-management arm, securing them with cable straps. Use two cable straps (one on each side of the hinge) to secure the power cords to the hinge plate.

See the documentation that comes with your server and optional devices for complete cabling instructions.



Slide the server into the rack cabinet until the release latches lock into place.

Note: If you move the rack cabinet or install it in a vibration-prone area, insert the M6 screws; then, install the chassis-support bracket (see step 15). If the server comes installed in the rack cabinet, the bracket also comes installed and need not be removed.



Important: The chassis-support bracket must be installed if you move the rack cabinet after you install the server.

Align the bracket so that the tab engages the lower rear of the server. Install cage nuts or clip nuts, depending on your rack cabinet, on the rear mounting flanges in holes that align with the holes in the bracket; then, insert and fully tighten four M6 screws.

Store this information with your server documentation for future use.

First Edition (June 2003)

Printed in the U.S.A.

IBM, NetBAY, and Netfinity are trademarks of the IBM Corporation in the United States, other countries, or both.

© Copyright International Business Machines Corporation 2003. All rights reserved.

US Government Users Restricted Rights – Use, duplication or disclosure restricted by GSA ADP Schedule Contract with IBM Corp.

(1P) P/N: 02R2762

