

Rack mounting instructions

Review the documentation that comes with your rack cabinet for safety and cabling information. When installing your server in a rack, consider the following:

- Ensure the room air temperature is below 35°C (95°F).
- Do not block any air vents, usually 15 cm (6 in.) of air space provides proper airflow.
- Install your server in a rack with perforated doors.
- Plan the device installation starting from the bottom of the rack.
- Install the heaviest device in the bottom of the rack.
- Remove the rack doors and side panels to provide easier access during installation.
- Connect all power cords to properly wired and grounded electrical outlets.
- Take precautions to prevent overloading the power outlets when you install multiple devices in a rack.



Use safe practices when lifting.



≥18 kg (39.7 lbs)



≥32 kg (70.5 lbs)



≥55 kg (121.2 lbs)



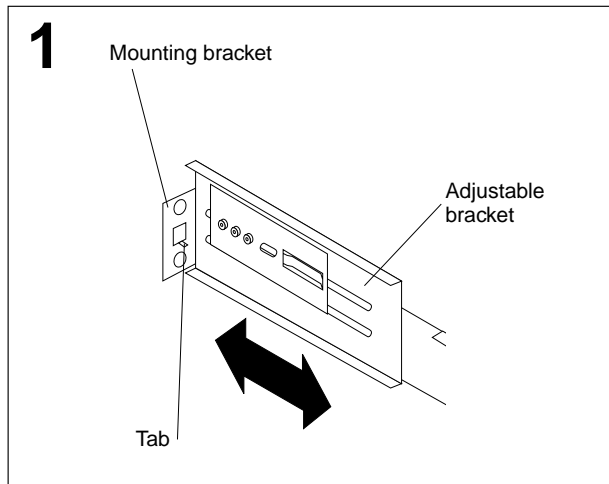
Do not place any object weighing more than 50 kg (110 lbs) on top of rack-mounted devices.



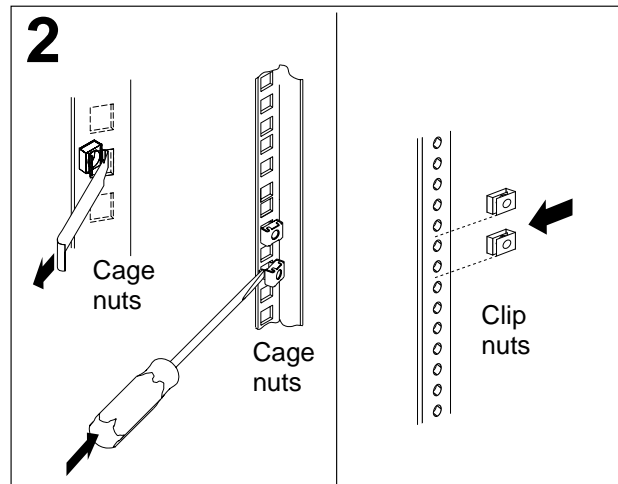
>50 kg (110 lbs)

You will need the following items to complete the server installation:

- Flat-blade screwdriver
- Phillips screwdriver
- Mounting brackets and hardware
- Cage nuts or clip nuts



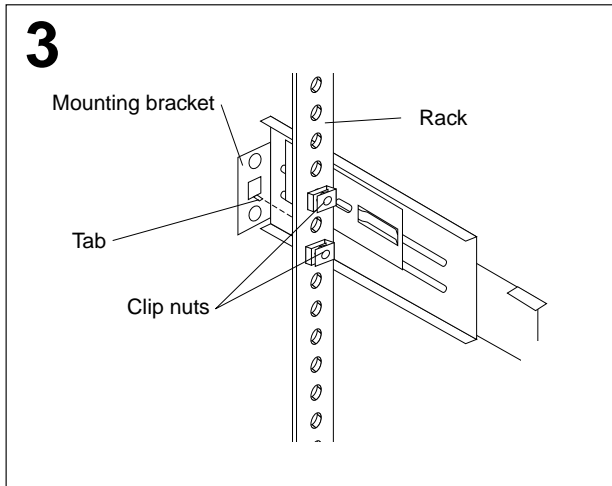
Adjust each rear mounting bracket (by loosening the screws) so that the inside distance between the two ends is equal to the outside dimension of the rack rails.



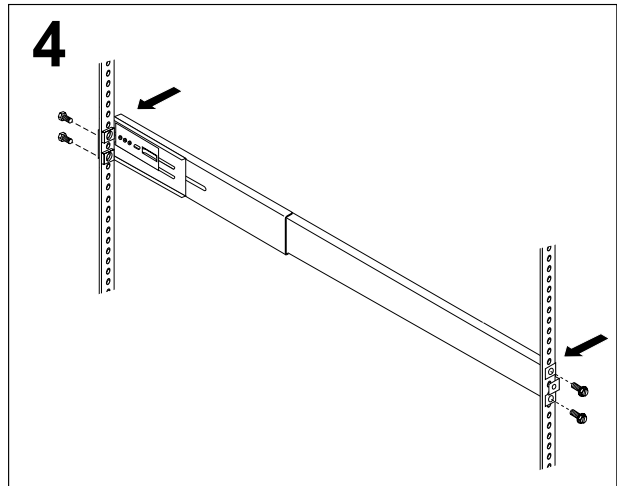
Select a 1 U size location in the rack. Install a cage nut or clip nut in the top and bottom position of the 1 U location you selected (both sides, front and rear of the rack).

© Copyright International Business Machines Corporation 2000. All rights reserved.

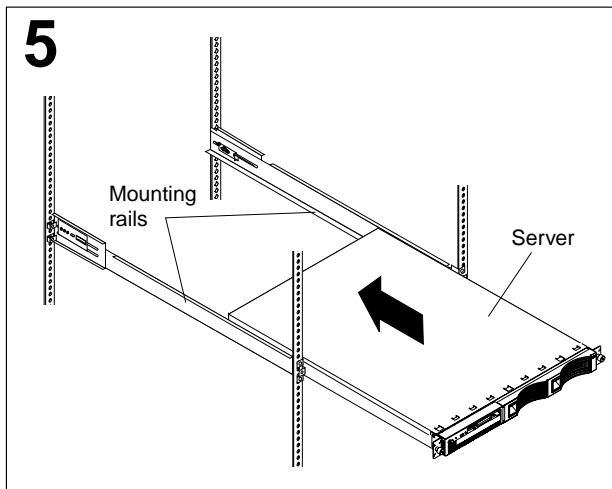
Note to U.S. Government Users — Documentation related to restricted rights — Use, duplication or disclosure is subject to restrictions set forth in GSA ADP Schedule Contract with IBM Corp.



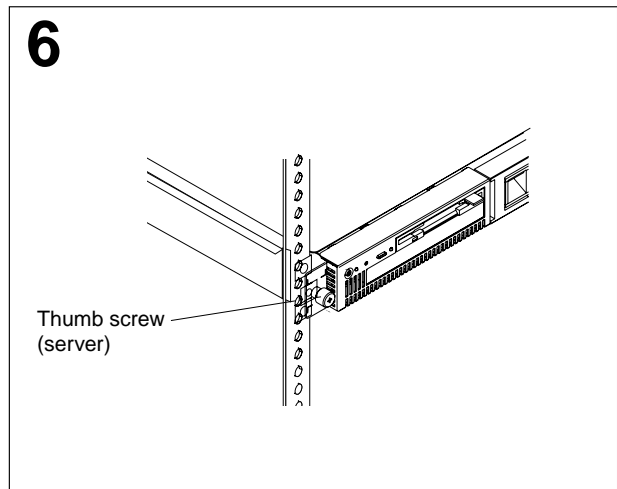
Insert the bracket tab through the center hole between the two clip nuts on the rear rail. (The right and left rails are labeled.)



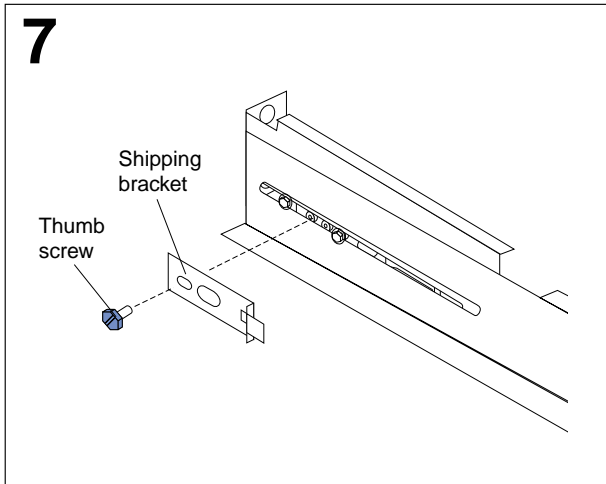
Loosely install two mounting screws through the back end of the bracket. Position the mounting bracket so that it lines up with the clip nuts. Install the remaining mounting screws, then tighten all the screws with a screwdriver. Repeat these steps for each mounting bracket.



Place the server on the mounting brackets and slide it in as far as it will go.



Tighten the thumb screws on the front of the server to secure it to the rack.



If you want to ship your rack with the server installed, you must install the shipping brackets on each side of the server. This is done by inserting the shipping bracket tab into the slot on the back of the server. Then use the blue thumb screw to secure the back of the server and the shipping bracket to the mounting bracket.

Repeat these steps for each server to be installed in the rack. For more information about I/O ports and cabling your server, refer to the *User's Reference* on the *IBM xSeries Documentation CD*.



Part Number: 06P4564
Printed in the USA