

ThinkPad® Advanced Mini Dock  
and  
ThinkPad Essential Port Replicator



# User's Guide

**ATTENTION**

Refer to the documentation that comes with your computer before installing the product.

**Note:**

Before using this information and the product it supports, read the information in Appendix A, "Service and Support," on page A-1, Appendix B, "Warranty information," on page B-1, and Appendix C, "Notices," on page C-1.

**First Edition (June 2005)**

**© Copyright Lenovo 2005.**

**Portions © Copyright International Business Machines Corporation 2005.**

**All rights reserved.**

U.S. GOVERNMENT USERS – RESTRICTED RIGHTS: Our products and/or services are provided with RESTRICTED RIGHTS. Use, duplication or disclosure by the Government is subject to the GSA ADP Schedule contract with Lenovo Group Limited, if any, or the standard terms of this commercial license, or if the agency is unable to accept this Program under these terms, then we provide this Program under the provisions set forth in Commercial Computer Software–Restricted Rights at FAR 52.227-19, when applicable, or under Rights in Data-General, FAR 52.227.14 (Alternate III).

---

# Contents

<b>Safety information</b> . . . . .	<b>v</b>
<b>General safety guidelines</b> . . . . .	<b>vii</b>
Service . . . . .	vii
Power cords and power adapters . . . . .	vii
Extension cords and related devices . . . . .	viii
Plugs and outlets . . . . .	viii
Batteries . . . . .	ix
Heat and product ventilation . . . . .	ix
CD and DVD drive safety . . . . .	x
<b>Additional safety information</b> . . . . .	<b>xi</b>
Laser compliance statement . . . . .	xii
<b>About the ThinkPad Advanced Mini Dock and the ThinkPad Essential Port Replicator.</b> . . . . .	<b>1-1</b>
Product registration . . . . .	1-1
Product description . . . . .	1-1
Using the product . . . . .	1-2
<b>Appendix A. Service and Support.</b> . . . . .	<b>A-1</b>
Online technical support . . . . .	A-1
Telephone technical support . . . . .	A-1
<b>Appendix B. Warranty information</b> . . . . .	<b>B-1</b>
Worldwide telephone list . . . . .	B-15
Guarantee supplement for Mexico . . . . .	B-18
<b>Appendix C. Notices</b> . . . . .	<b>C-1</b>
<b>Appendix D. Electronic Emissions notices.</b> . . . . .	<b>D-1</b>
Federal Communications Commission (FCC) Declaration of Conformity . . . . .	D-1
<b>Appendix E. Trademarks</b> . . . . .	<b>E-1</b>



---

## Safety information

Before installing this product, read the Safety Information.

مج، يجب قراءة دات السلامة

Antes de instalar este produto, leia as Informações de Segurança.

在安装本产品之前，请仔细阅读 **Safety Information** (安全信息)。

Prije instalacije ovog produkta obavezno pročitajte Sigurnosne Upute.

Před instalací tohoto produktu si přečtěte příručku bezpečnostních instrukcí.

Læs sikkerhedsforskrifterne, før du installerer dette produkt.

Ennen kuin asennat tämän tuotteen, lue turvaohjeet kohdasta Safety Information.

Avant d'installer ce produit, lisez les consignes de sécurité.

Vor der Installation dieses Produkts die Sicherheitshinweise lesen.

Πριν εγκαταστήσετε το προϊόν αυτό, διαβάστε τις πληροφορίες ασφάλειας (safety information).

לפני שתתקינו מוצר זה, קראו את הוראות הבטיחות.

A termék telepítése előtt olvassa el a Biztonsági előírásokat!

Prima di installare questo prodotto, leggere le Informazioni sulla Sicurezza.

製品の設置の前に、安全情報をお読みください。

본 제품을 설치하기 전에 안전 정보를 읽으십시오.

Пред да се инсталира овој продукт, прочитајте информацијата за безбедност.

Lees voordat u dit product installeert eerst de veiligheidsvoorschriften.

Les sikkerhetsinformasjonen (Safety Information) før du installerer dette produktet.

Przed zainstalowaniem tego produktu, należy zapoznać się z książką "Informacje dotyczące bezpieczeństwa" (Safety Information).

Antes de instalar este produto, leia as Informações sobre Segurança.

Перед установкой продукта прочтите инструкции по технике безопасности.

Pred inštaláciou tohto produktu si prečítajte bezpečnostné informácie.

Pred namestitvijo tega proizvoda preberite Varnostne informacije.

Antes de instalar este producto lea la información de seguridad.

Läs säkerhetsinformationen innan du installerar den här produkten.

安裝本產品之前，請先閱讀「安全資訊」。

---

## General safety guidelines

Always observe the following precautions to reduce the risk of injury and property damage.

---

### Service

Do not attempt to service a product yourself unless instructed to do so by the Customer Support Center. Use only a service provider who is approved to repair your particular product.

**Note:** Some parts can be upgraded or replaced by the customer. These parts are referred to as Customer Replaceable Units, or CRUs. Lenovo expressly identifies CRUs as such, and provides documentation with instructions when it is appropriate for customers to replace those parts. You must closely follow all instructions when performing such replacements. Always make sure that the power is turned off and that the product is unplugged from any power source before you attempt the replacement. If you have any questions or concerns, contact the Customer Support Center.

---

### Power cords and power adapters

Use only the power cords and power adapters supplied by the product manufacturer.

Never wrap a power cord around the power adapter or other object. Doing so can stress the cord in ways that can cause the cord to fray, crack or crimp. This can present a safety hazard.

Always route power cords so that they will not be walked on, tripped over, or pinched by objects.

Protect the cord and power adapters from liquids. For instance, do not leave your cord or power adapter near sinks, tubs, toilets, or on floors that are cleaned with liquid cleansers. Liquids can cause a short circuit, particularly if the cord or power adapter has been stressed by misuse. Liquids can also cause gradual corrosion of the power cord terminals and/or the connector terminals on the adapter which can eventually result in overheating.

Always connect power cords and signal cables in the correct order and ensure that all power cord connectors are securely and completely plugged into receptacles.

Do not use any power adapter that shows corrosion at the ac input pins and/or shows signs of overheating (such as deformed plastic) at the ac input or anywhere on the power adapter.

Do not use any power cords where the electrical contacts on either end show signs of corrosion or overheating or where the power cord appears to have been damaged in any way.

---

## **Extension cords and related devices**

Ensure that extension cords, surge protectors, uninterruptible power supplies, and power strips that you use are rated to handle the electrical requirements of the product. Never overload these devices. If power strips are used, the load should not exceed the power strip input rating. Consult an electrician for more information if you have questions about power loads, power requirements, and input ratings.

---

## **Plugs and outlets**

If a receptacle (power outlet) that you intend to use with your computer equipment appears to be damaged or corroded, do not use the outlet until it is replaced by a qualified electrician.

Do not bend or modify the plug. If the plug is damaged, contact the manufacturer to obtain a replacement.

Some products are equipped with a three-pronged plug. This plug fits only into a grounded electrical outlet. This is a safety feature. Do not defeat this safety feature by trying to insert it into a non-grounded outlet. If you cannot insert the plug into the outlet, contact an electrician for an approved outlet adapter or to replace the outlet with one that enables this safety feature. Never overload an electrical outlet. The overall system load should not exceed 80 percent of the branch circuit rating. Consult an electrician for more information if you have questions about power loads and branch circuit ratings.

Be sure that the power outlet you are using is properly wired, easily accessible, and located close to the equipment. Do not fully extend power cords in a way that will stress the cords.

Connect and disconnect the equipment from the electrical outlet carefully



---

## Batteries

All personal computers manufactured by Lenovo contain a non-rechargeable coin cell battery to provide power to the system clock. In addition many mobile products such as ThinkPad notebook PCs utilize a rechargeable battery pack to provide system power when in portable mode. Batteries supplied by Lenovo for use with your product have been tested for compatibility and should only be replaced with Lenovo approved parts.

Never attempt to open or service any battery. Do not crush, puncture, or incinerate batteries or short circuit the metal contacts. Do not expose the battery to water or other liquids. Only recharge the battery pack strictly according to instructions included in the product documentation.

Battery abuse or mishandling can cause the battery to overheat, which can cause gasses or flame to “vent” from the battery pack or coin cell. If your battery is damaged, or if you notice any discharge from your battery or the buildup of foreign materials on the battery leads, stop using the battery and obtain a replacement from the battery manufacturer.

Batteries can degrade when they are left unused for long periods of time. For some rechargeable batteries (particularly Lithium Ion batteries), leaving a battery unused in a discharged state could increase the risk of a battery short circuit, which could shorten the life of the battery and can also pose a safety hazard. Do not let rechargeable Lithium-Ion batteries completely discharge or store these batteries in a discharged state.

---

## Heat and product ventilation

Computers generate heat when turned on and when batteries are charging. Notebook PCs can generate a significant amount of heat due to their compact size. Always follow these basic precautions:

- Do not leave the base of your computer in contact with your lap or any part of your body for an extended period when the computer is functioning or when the battery is charging. Your computer produces some heat during normal operation. Extended contact with the body could cause discomfort or, potentially, a skin burn.
- Do not operate your computer or charge the battery near flammable materials or in explosive environments.
- Ventilation slots, fans and/or heat sinks are provided with the product for safety, comfort, and reliable operation. These features might inadvertently become blocked by placing the product on a bed, sofa, carpet, or other flexible surface. Never block, cover or disable these features.

---

## CD and DVD drive safety

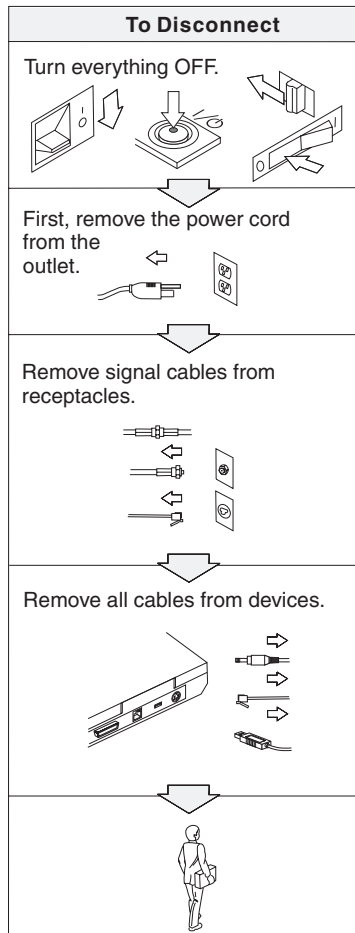
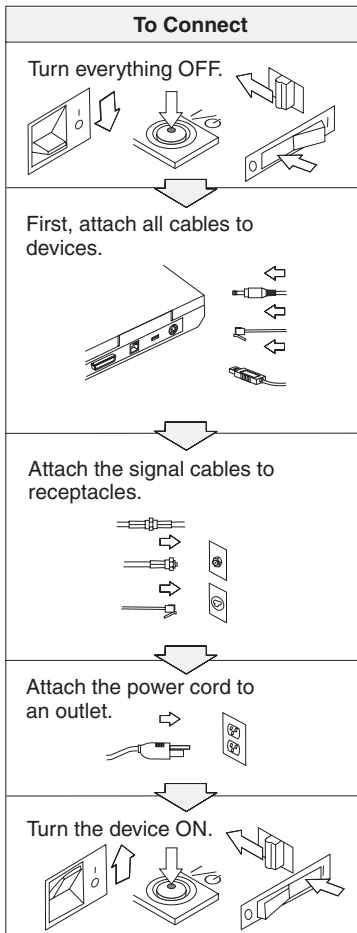
CD and DVD drives spin discs at a high speed. If a CD or DVD is cracked or otherwise physically damaged, it is possible for the disc to break apart or even shatter when the CD drive is in use. To protect against possible injury due to this situation, and to reduce the risk of damage to your machine, do the following:

- Always store CD/DVD discs in their original packaging
- Always store CD/DVD discs out of direct sunlight and away from direct heat sources
- Remove CD/DVD discs from the computer when not in use
- Do not bend or flex CD/DVD discs, or force them into the computer or their packaging
- Check CD/DVD discs for cracks before each use. Do not use cracked or damaged discs

## Additional safety information



Electric current from power, telephone, and communication cables is hazardous. To avoid shock hazard, connect and disconnect cables as shown below when installing, moving, or opening the covers of this product or attached devices. If the 3-pin power cord is provided with this product, it must be used with a properly grounded outlet.





## DANGER

Reduce the risk of fire and electric shock by always following basic safety precautions, including the following:

- Do not use your computer in or near water.
- During electrical storms:
  - Do not use your computer with the telephone cable connection.
  - Do not connect the cable to or disconnect it from the telephone outlet on the wall.



## DANGER

To reduce the risk of fire, electrical shock, or injury when using telephone equipment, always follow basic safety precautions, such as:

- Never install telephone wiring during an electrical storm.
- Never install telephone jacks in wet locations unless the jack is specifically designed for wet locations.
- Never touch uninsulated telephone wires or terminals unless the telephone line has been disconnected at the network interface.
- Use caution when installing or modifying telephone lines.
- Avoid using a telephone (other than a cordless type) during an electrical storm. There may be a remote risk of electric shock from lightning.
- Do not use the telephone to report a gas leak in the vicinity of the leak.
- Use only No. 26 AWG or larger (thicker) telephone cable.

---

## Laser compliance statement

An optical storage drive (device), such as a CD-ROM, CD-RW, DVD-ROM drive and SuperDisk, which can be installed in the ThinkPad computer is a laser product. The drive's classification label (shown below) is on the surface of the drive.

CLASS 1 LASER PRODUCT  
LASER KLASSE 1  
LUOKAN 1 LASERLAITE  
APPAREIL A LASER DE CLASSE 1  
KLASS 1 LASER APPARAT

The drive is certified by the manufacturer to comply with the requirements of the Department of Health and Human Services 21 Code of Federal Regulations (DHHS 21 CFR) Subchapter J for Class I laser products at the date of manufacture.

In other countries, the drive is certified to conform to the requirements of IEC825 and EN60825 for Class 1 laser products.



**DANGER**

**Do not open the optical storage drive unit; no user adjustments or serviceable parts are inside.**

**Use of controls, adjustments, or the performance of procedures other than those specified might result in hazardous radiation exposure.**

Class 1 laser products are not considered hazardous. The design of the laser system and the optical storage drive ensures that there is no exposure to laser radiation above a Class 1 level during normal operation, user maintenance, or servicing.

Some drives contain an embedded Class 3A laser diode. Note this warning:



**DANGER**

**Emits visible and invisible laser radiation when open. Avoid direct eye exposure. Do not stare into the beam or view it directly with optical instruments.**



**DANGER**

**Store packing materials safely out of the reach of children to prevent the risk of suffocation from plastic bags.**

Many PC products and accessories contain cords, cables or wires, such as power cords or cords to connect the accessory to a PC. If this product has such a cord, cable or wire, then the following warning applies:

**WARNING:** Handling the cord on this product or cords associated with accessories sold with this product will expose you to lead, a chemical known to the State of California to cause cancer, and birth defects or other reproductive harm. *Wash hands after handling.*

Save these instructions.

---

## About the ThinkPad Advanced Mini Dock and the ThinkPad Essential Port Replicator

This section provides information on registering and installing the ThinkPad® Advanced Mini Dock and the ThinkPad Essential Port Replicator.

---

### Product registration

Thank you for purchasing this Lenovo™ product. Please take a few moments to register your product and provide us with information that will help Lenovo to better serve you in the future. Your feedback is valuable to us in developing products and services that are important to you, as well as in developing better ways to communicate with you. Register your product on the following Web site:

<http://www.lenovo.com/register/>

Lenovo will send you information and updates on your registered product unless you indicate on the Web site questionnaire that you do not want to receive further information.

---

### Product description

The ThinkPad Advanced Mini Dock and the ThinkPad Essential Port Replicator are options that extend the capabilities of your computer. When attached to the ThinkPad Advanced Mini Dock or the ThinkPad Essential Port Replicator, your computer can emulate a powerful desktop computer in your office or home. For portability, your computer can easily be detached.

The ThinkPad Advanced Mini Dock kit includes:

- ThinkPad Advanced Mini Dock
- System lock keys
- AC adapter
- Power cord
- This user's guide
- Setup Poster
- Safety Information

The ThinkPad Essential Port Replicator kit includes:

- ThinkPad Essential Port Replicator
- This user's guide

- Setup Poster
- Safety Information

---

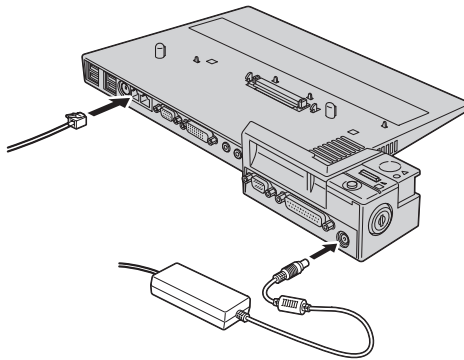
## Using the product

**Note:**

For detailed information about the features and use of this product see the "ThinkPad Essential Port Replicator and ThinkPad Advanced Mini Dock" section of your on-board help system. To find this section, press the ThinkVantage™ button on your ThinkPad keyboard to open the ThinkVantage Productivity Center. From the menu, open Access Help and select the topic in the Index, or enter "port replicator" in the Search keyword field and start the search.

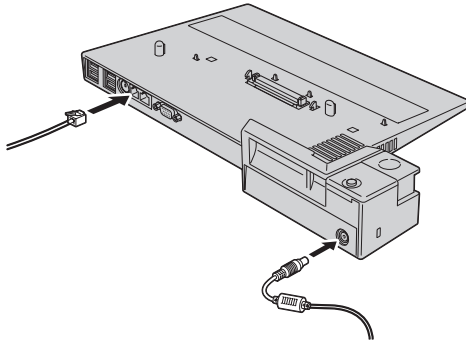
Before attaching your computer to the ThinkPad Advanced Mini Dock or the ThinkPad Essential Port Replicator, connect the AC adapter and the network cable (if you use the network) as shown in the illustrations.

### ThinkPad Advanced Mini Dock





## ThinkPad Essential Port Replicator



**Note:** Be sure to use the AC adapter that comes with your ThinkPad computer.

---

## Mini station d'accueil Advanced et duplicateur de ports Essential pour ThinkPad

La présente section fournit des informations sur l'enregistrement et l'installation de la mini station d'accueil Advanced pour ThinkPad et du duplicateur de ports Essential pour ThinkPad.

---

### Enregistrement du produit

Nous vous remercions pour votre achat d'un produit Lenovo. Prenez quelques instants pour enregistrer votre produit et nous fournir les informations qui permettront à Lenovo de mieux vous servir. Vos commentaires nous sont précieux pour le développement de produits et de services qui sont importants pour vous, ainsi que pour améliorer notre communication avec vous. Enregistrez votre produit sur le site Web suivant :

<http://www.lenovo.com/register/>

Lenovo vous communiquera les informations et les mises à jour concernant votre produit enregistré, à moins que vous ne répondiez au questionnaire fourni sur le site Web que vous ne souhaitez pas recevoir d'informations supplémentaires.

---

### Description du produit

La mini station d'accueil Advanced pour ThinkPad et le duplicateur de ports Essential pour ThinkPad sont des options qui étendent les fonctionnalités de votre ordinateur. Lorsque vous lui connectez la mini station d'accueil Advanced pour ThinkPad ou le duplicateur de ports Essential pour ThinkPad, votre ordinateur peut émuler un ordinateur de bureau puissant, sur votre lieu de travail ou chez vous. Vous pouvez facilement déconnecter votre ordinateur pour plus de portabilité.

Le kit de la mini station d'accueil Advanced pour ThinkPad comprend :

- La mini station d'accueil Advanced pour ThinkPad
- Des clés de verrouillage du système
- Un boîtier d'alimentation
- Un cordon d'alimentation
- Le présent Guide d'utilisation
- Un livret d'installation
- Des consignes de sécurité

Le kit du duplicateur de ports Essential pour ThinkPad comprend :

- Le duplicateur de ports Essential pour ThinkPad
- Le présent Guide d'utilisation
- Un livret d'installation
- Des consignes de sécurité

---

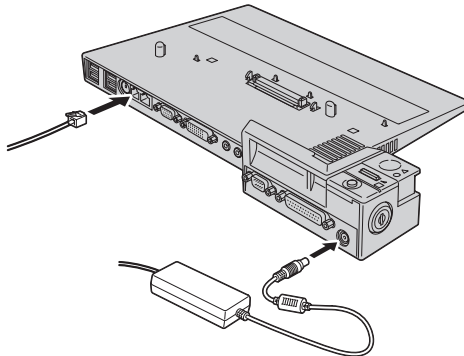
## Utilisation du produit

### Remarque :

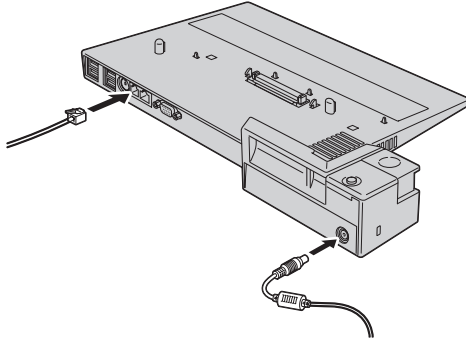
Pour plus de détails sur les fonctions et l'installation du présent produit, consultez les rubriques relatives au duplicateur de ports Essential pour ThinkPad et à la mini station d'accueil Advanced pour ThinkPad dans le système d'aide intégré. Pour ce faire, appuyez sur le bouton ThinkVantage du clavier de votre ThinkPad pour lancer le ThinkVantage Productivity Center. Dans le menu qui s'affiche, ouvrez Access Help et sélectionnez la rubrique correspondante dans l'index ou tapez "duplicateur de ports" dans la zone de recherche par mots clés et lancez la recherche.

Avant de connecter la mini station d'accueil Advanced pour ThinkPad ou le duplicateur de ports Essential pour ThinkPad à votre ordinateur, branchez le boîtier d'alimentation et le câble réseau (si vous travaillez en réseau), comme indiqué dans les illustrations ci-après.

### Mini station d'accueil Advanced pour ThinkPad



## Duplicateur de ports Essential pour ThinkPad



**Remarque :** Utilisez uniquement le boîtier d'alimentation fourni avec votre ThinkPad.

---

## Informationen zur ThinkPad-Miniandockstation und zum ThinkPad-Basisanschlussreplikator

In diesem Abschnitt finden Sie Informationen zur Registrierung und zur Installation der ThinkPad®-Miniandockstation und des ThinkPad-Basisanschlussreplikators.

---

### Produktregistrierung

Vielen Dank, dass Sie sich für dieses Lenovo™ Produkt entschieden habe. Bitte nehmen Sie sich einen Moment Zeit, um Ihr Produkt zu registrieren und uns Informationen zu Verfügung zu stellen, durch die wir Sie in Zukunft noch besser unterstützen können. Ihre Rückmeldung ist für uns sehr wichtig, sowohl zur Entwicklung von Produkten und Services als auch zur Entwicklung besserer Kommunikationsmöglichkeiten zwischen Ihnen und Lenovo. Registrieren Sie Ihre Zusatzeinrichtung auf der folgenden Website:

<http://www.lenovo.com/register/>

Lenovo sendet Ihnen Informationen und Aktualisierungen zu Ihrem registrierten Produkt, falls Sie im Fragebogen auf der Website nicht angegeben haben, dass Sie keine weiteren Informationen erhalten möchten.

---

### Produktbeschreibung

Die ThinkPad-Miniandockstation und der ThinkPad-Basisanschlussreplikator sind Zusatzeinrichtungen, die die Funktionen Ihres Computers erweitern. Wenn Sie Ihren Computer an die ThinkPad-Miniandockstation oder den ThinkPad-Basisanschlussreplikator anschließen, können Sie einen leistungsfähigen Desktop-Computer im Büro oder zu Hause emulieren. Der Computer kann dabei jederzeit problemlos von der Andockstation abgedockt werden.

Der ThinkPad-Miniandockstation-Satz enthält Folgendes:

- ThinkPad-Miniandockstation
- Systemsperrschlüssel
- Netzteil
- Netzkabel
- Das vorliegende Benutzerhandbuch
- Installationsposter
- Sicherheitsinformationen

Der ThinkPad-Basisanschlussreplikator-Satz enthält Folgendes:

- ThinkPad-Basisanschlussreplikator
- Das vorliegende Benutzerhandbuch
- Installationsposter
- Sicherheitsinformationen

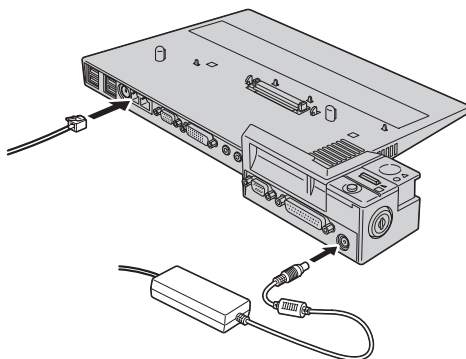
## Produkt verwenden

### Anmerkung:

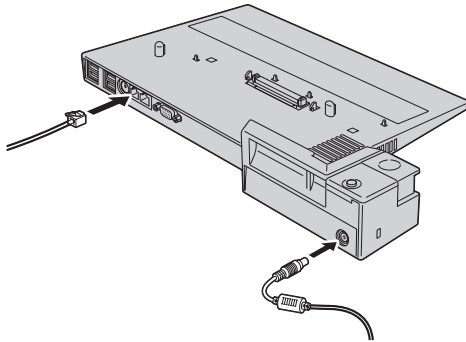
Weitere Informationen zu den Funktionen und zur Verwendung dieses Produkts finden Sie im Abschnitt zum ThinkPad-Basisanschlussreplikator und zur ThinkPad-Miniandockstation in der integrierten Onlinehilfefunktion. Diesen Abschnitt finden Sie, indem Sie die ThinkVantage™-Taste auf der ThinkPad-Tastatur drücken, um das ThinkVantage Productivity Center zu öffnen. Öffnen Sie im Menü den Eintrag "Access Help", und wählen Sie das Stichwort im Index aus, oder geben Sie "Anschlussreplikator" in das Feld für das Suchschlüsselwort ein, und starten Sie die Suche.

Bevor Sie den Computer an die ThinkPad-Miniandockstation oder den ThinkPad-Basisanschlussreplikator anschließen, müssen Sie das Netzteil und das Netzübertragungskabel (wenn Sie das Netzwerk verwenden) wie in den Abbildungen dargestellt anschließen.

### ThinkPad-Miniandockstation



## ThinkPad-Basisanschlussreplikator



**Anmerkung:** Stellen Sie sicher, dass Sie das mit dem ThinkPad mitgelieferte Netzteil verwenden.

---

## Acerca de ThinkPad Advanced Mini Dock y de ThinkPad Essential Port Replicator

En este apartado se proporciona información acerca del registro y la instalación de ThinkPad® Advanced Mini Dock y ThinkPad Essential Port Replicator.

---

### Registro del producto

Gracias por adquirir este producto de Lenovo. Tómese unos minutos para registrar su producto y facilitarnos información que ayudará a Lenovo a servirle mejor en el futuro. Su opinión es de gran utilidad a la hora de desarrollar productos y servicios importantes para que estén a su disposición, así como a la hora de mejorar la comunicación con usted. Registre su producto en el sitio Web siguiente:

<http://www.lenovo.com/register/>

Lenovo le enviará información y actualizaciones de su producto registrado a menos que indique en el cuestionario del sitio Web que no desea recibir más información.

---

### Descripción del producto

La ThinkPad Advanced Mini Dock y el ThinkPad Essential Port Replicator son opciones que amplían las posibilidades del sistema. Cuando se conecta la ThinkPad Advanced Mini Dock o el ThinkPad Essential Port Replicator, el sistema puede emular un sistema de escritorio potente en su oficina o en casa. Por motivos de portabilidad, el sistema se puede desconectar fácilmente.

El kit de ThinkPad Advanced Mini Dock incluye:

- ThinkPad Advanced Mini Dock
- Llaves de bloqueo del sistema
- Adaptador de CA
- Cable de alimentación
- Esta guía del usuario
- Póster de instalación
- Información de seguridad

El kit de ThinkPad Essential Port Replicator incluye:

- ThinkPad Essential Port Replicator
- Esta guía del usuario



- Póster de instalación
- Información de seguridad

---

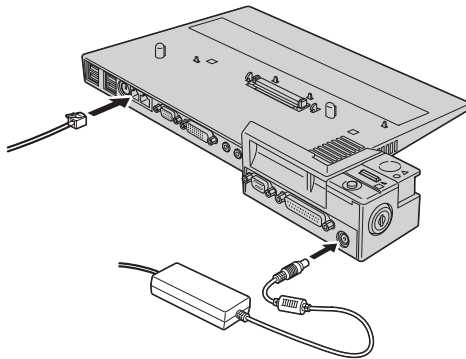
## Utilización del producto

### Nota:

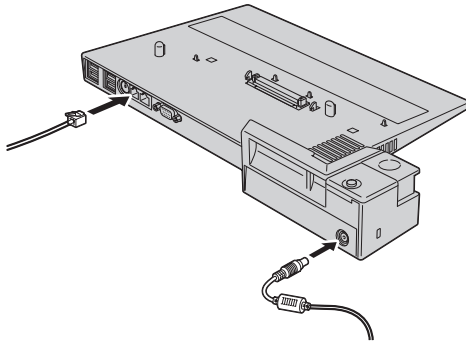
Para obtener información detallada sobre las características y la utilización de este producto, consulte el apartado "ThinkPad Essential Port Replicator y ThinkPad Advanced Mini Dock" del sistema de ayuda incorporada. Para encontrar este apartado, pulse el botón ThinkVantage™ del teclado de ThinkPad para abrir el centro de productividad de ThinkVantage. Desde el menú, abra Ayuda de Access y seleccione el tema en el índice, o escriba "replicador de puerto" en el campo Buscar palabra clave e inicie la búsqueda.

Antes de conectar el sistema a la ThinkPad Advanced Mini Dock o el ThinkPad Essential Port Replicator, conecte el adaptador de CA y el cable de red (si utiliza la red), como se muestra en las ilustraciones.

### ThinkPad Advanced Mini Dock



## ThinkPad Essential Port Replicator



**Nota:** Asegúrese de utilizar el adaptador CA que se suministra con el sistema ThinkPad.

---

## Informazioni su ThinkPad Advanced Mini Dock e ThinkPad Essential Port Replicator

Questa sezione fornisce informazioni sulla registrazione e sull'installazione di ThinkPad® Advanced Mini Dock e ThinkPad Essential Port Replicator.

---

### Registrazione del prodotto

Grazie per aver scelto questo prodotto Lenovo™. Effettuare la registrazione del prodotto e fornire le informazioni per rendere migliore l'assistenza in futuro. La collaborazione è importante per lo sviluppo dei prodotti e dei servizi, oltre allo sviluppo delle comunicazioni. Registrare il prodotto sul seguente sito Web:

<http://www.lenovo.com/register/>

Lenovo invierà le informazioni e gli aggiornamenti relativi al prodotto registrato a meno che non venga indicato nel questionario del sito Web che non si desidera ricevere ulteriori informazioni.

---

### Descrizione del prodotto

ThinkPad Advanced Mini Dock e ThinkPad Essential Port Replicator sono opzioni che estendono le capacità del computer. Quando il computer è collegato a ThinkPad Advanced Mini Dock o ThinkPad Essential Port Replicator, può emulare un potente computer di tipo desktop in ufficio o a casa. Per portabilità il computer può essere facilmente staccato.

Il kit ThinkPad Advanced Mini Dock include:

- ThinkPad Advanced Mini Dock
- Chiavi per il blocco del sistema
- Adattatore AC
- Cavo di alimentazione
- Questa guida per l'utente
- Poster di installazione
- Informazioni sulla sicurezza

Il kit ThinkPad Essential Port Replicator include:

- ThinkPad Essential Port Replicator
- Questa guida per l'utente
- Poster di installazione
- Informazioni sulla sicurezza

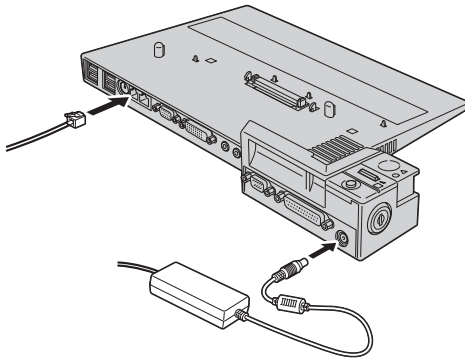
## Utilizzo del prodotto

**Nota:**

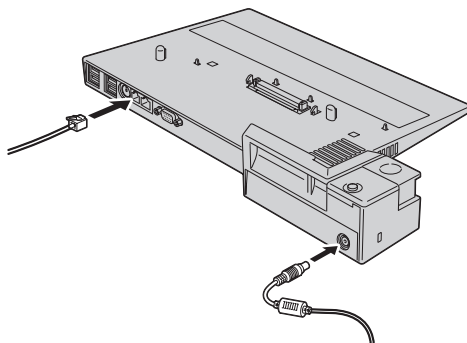
Per informazioni dettagliate sulle funzioni e sull'utilizzo di questo prodotto, consultare la sezione "ThinkPad Essential Port Replicator e ThinkPad Advanced Mini Dock" del sistema di aiuto integrato. Per trovare questa sezione, premere il pulsante ThinkVantage™ sulla tastiera del ThinkPad per aprire ThinkVantage Productivity Center. Dal menu, aprire Access Help e selezionare l'argomento nell'indice oppure immettere "port replicator" nel campo di ricerca e avviare la ricerca.

Prima di collegare il computer a ThinkPad Advanced Mini Dock o a ThinkPad Essential Port Replicator, collegare l'adattatore AC ed il cavo di rete (se si utilizza la rete) come mostrato nelle figure.

### ThinkPad Advanced Mini Dock



## ThinkPad Essential Port Replicator



**Nota:** Assicurarsi di utilizzare l'adattatore AC fornito con il computer ThinkPad.

---

## Sobre o ThinkPad Advanced Mini Dock e o ThinkPad Essential Port Replicator

Esta seção fornece informações sobre como registrar e instalar o ThinkPad® Advanced Mini Dock e o ThinkPad Essential Port Replicator.

---

### Registro do Produto

Obrigado por adquirir este produto Lenovo. Reserve alguns minutos para registrar seu produto e fornecer informações que ajudarão a Lenovo a melhorar seus serviços. É importante que você nos forneça feedback para que possamos desenvolver produtos e serviços úteis a você, melhorando assim a nossa comunicação. Registre seu produto no seguinte Web site:

<http://www.lenovo.com/register/>

A Lenovo enviará informações e atualizações para o produto registrado, a menos que você indique no questionário do Web site que não deseja recebê-las.

---

### Descrição do Produto

O ThinkPad Advanced Mini Dock e o ThinkPad Essential Port Replicator são opcionais que ampliam a capacidade de seu computador. Quando conectado ao ThinkPad Advanced Mini Dock ou ao ThinkPad Essential Port Replicator, o seu computador pode emular um computador desktop poderoso em casa ou no escritório. Para portabilidade, o seu computador pode ser facilmente desconectado.

O kit do ThinkPad Advanced Mini Dock inclui:

- ThinkPad Advanced Mini Dock
- Chaves de trava do sistema
- Adaptador de corrente alternada
- Cabo de alimentação
- Este guia do usuário
- Pôster de configuração
- Informações sobre Segurança

O kit do ThinkPad Essential Port Replicator inclui:

- ThinkPad Essential Port Replicator
- Este guia do usuário
- Pôster de configuração

- Informações sobre Segurança

---

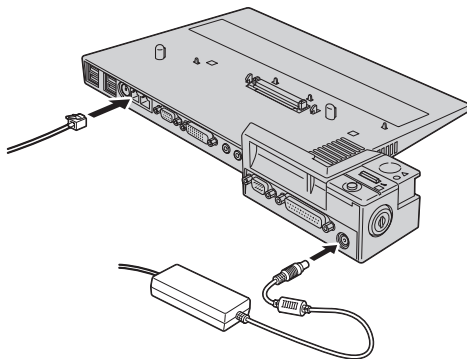
## Utilizando o Produto

### Nota:

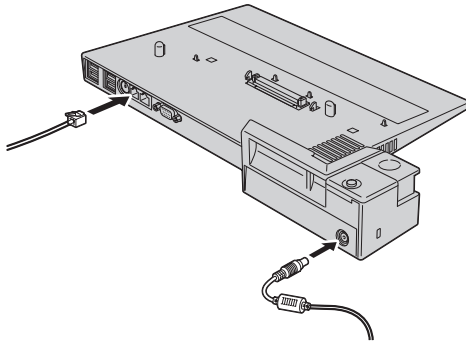
Para obter informações detalhadas sobre os recursos e a utilização deste produto, consulte a seção "ThinkPad Essential Port Replicator e ThinkPad Advanced Mini Dock" do sistema de ajuda integrado. Para localizar essa seção, pressione o botão ThinkVantage™ no teclado do ThinkPad para abrir o ThinkVantage Productivity Center. No menu, abra o Access Help e selecione o tópico no Índice ou digite "replicador de porta" no campo Procurar Palavra-chave e inicie a pesquisa.

Antes de conectar seu computador ao ThinkPad Advanced Mini Dock ou ao ThinkPad Essential Port Replicator, conecte o adaptador de corrente alternada e o cabo de rede (se você utilizar a rede), conforme mostrado nas ilustrações.

### ThinkPad Advanced Mini Dock



## ThinkPad Essential Port Replicator



**Nota:** Certifique-se de utilizar o adaptador de corrente alternada que acompanha o seu computador ThinkPad.



---

## Dok ThinkPad Advanced Mini Dock a replikátor ThinkPad Essential Port Replicator

Tato část obsahuje informace o registraci a instalaci doku ThinkPad® Advanced Mini Dock a replikátoru ThinkPad Essential Port Replicator.

---

### Registrace produktu

Děkujeme vám za zakoupení produktu Lenovo™. Zaregistrujte si prosím zakoupený produkt a poskytněte údaje, díky kterým vám Lenovo bude moci poskytovat lepší služby. Zpětná vazba je důležitá pro vývoj produktů a služeb. Díky ní se nejen dovídáme, jaké produkty a služby očekáváte, ale také nacházíme nové, efektivnější způsoby komunikace. Produkt zaregistrujte na webové stránce:

<http://www.lenovo.com/register/>

Pokud ve formuláři na webové stránce neuvedete, že nechcete dostávat další informace, Lenovo vám bude posílat informace a aktualizace k registrovanému produktu.

---

### Popis produktu

Dok ThinkPad Advanced Mini Dock a replikátor ThinkPad Essential Port Replicator rozšiřují možnosti vašeho počítače. Po připojení doku ThinkPad Advanced Mini Dock nebo replikátoru ThinkPad Essential Port Replicator může váš počítač zastoupit silný stolní počítač v kanceláři nebo doma. Narozdíl od stolního počítače jej však můžete jednoduše přenášet.

V balení spolu s dokem ThinkPad Advanced Mini Dock jste obdrželi:

- ThinkPad Advanced Mini Dock
- klíče pro uzamčení
- adaptér napájení
- napájecí šňůru
- tuto uživatelskou příručku
- návod k instalaci
- bezpečnostní instrukce

V balení spolu s dokem ThinkPad Essential Port Replicator jste obdrželi:

- ThinkPad Essential Port Replicator
- tuto uživatelskou příručku
- návod k instalaci
- bezpečnostní instrukce

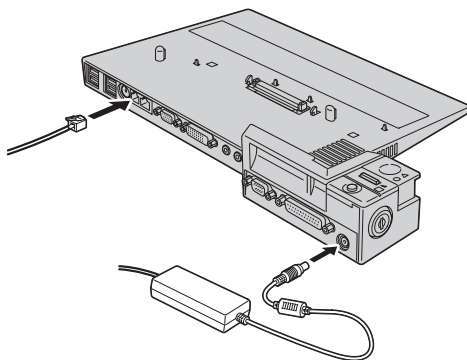
## Používání produktu

### **Poznámka:**

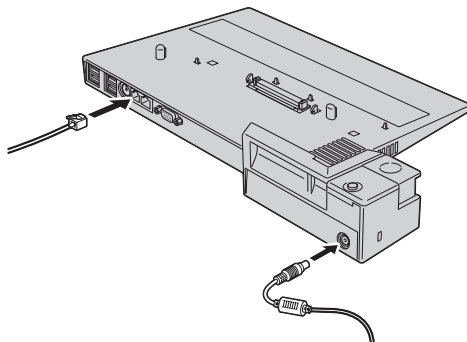
Podrobné informace o vlastnostech těchto produktů a jejich používání naleznete v online systému nápovědy počítače v částech "ThinkPad Essential Port Replicator a ThinkPad Advanced Mini Dock". Tyto informace naleznete tak, že stisknutím tlačítka ThinkVantage™ na klávesnici počítače ThinkPad otevřete ThinkVantage Productivity Center. Z nabídky otevřete Access Help a vyberte téma v rejstříku nebo použijte vyhledání termínu "port replicator".

Před připojením počítače k doku ThinkPad Advanced Mini Dock nebo replikátoru ThinkPad Essential Port Replicator připojte adaptér napájení a síťový kabel (používáte-li síť) podle obrázku.

### **ThinkPad Advanced Mini Dock**



## ThinkPad Essential Port Replicator



**Poznámka:** Použijte napájecí zdroj dodaný s vaším počítačem ThinkPad.

---

# Informácie o ThinkPad Advanced Mini Dock a ThinkPad Essential Port Replicator

Táto časť poskytuje informácie o registrovaní a inštalovaní ThinkPad® Advanced Mini Dock a ThinkPad Essential Port Replicator.

---

## Registrácia produktu

Ďakujeme Vám za nákup tohto produktu spoločnosti Lenovo™. Venujte chvíľu registrácii vášho produktu a poskytnite nám informácie, ktoré pomôžu spoločnosti Lenovo poskytovať v budúcnosti lepšie služby. Vaše odpovede budú nápomocné pri vývoji produktov a služieb, ktoré sú pre vás dôležité, ako aj pri vývoji lepších spôsobov našej komunikácie s vami. Svoj produkt zaregistrujte na nasledujúcej webovej stránke:

<http://www.lenovo.com/register/>

Spoločnosť Lenovo vám bude posilať informácie a novinky o vašom zaregistrovanom produkte, pokiaľ v dotazníku na webovej stránke nevyznačíte, že nechcete dostávať ďalšie informácie.

---

## Opis produktu

ThinkPad Advanced Mini Dock a ThinkPad Essential Port Replicator sú voliteľné komponenty, ktoré rozširujú možnosti vášho počítača. Keď je počítač pripojený k ThinkPad Advanced Mini Dock alebo ThinkPad Essential Port Replicator, môže v kancelárii alebo doma emulovať výkonný stolný počítač. Ak potrebujete počítač preniesť, môžete ho jednoducho odpojiť.

Balenie ThinkPad Advanced Mini Dock obsahuje:

- ThinkPad Advanced Mini Dock
- Kľúče k zámku systému
- Napájací zdroj AC
- Napájací kábel
- Túto užívateľskú príručku
- Leták o nastavení
- Bezpečnostné informácie

Balenie ThinkPad Essential Port Replicator obsahuje:

- ThinkPad Essential Port Replicator
- Túto užívateľskú príručku
- Leták o nastavení

- Bezpečnostné informácie

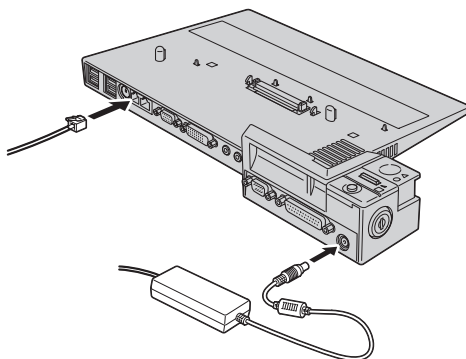
## Používanie produktu

### **Poznámka:**

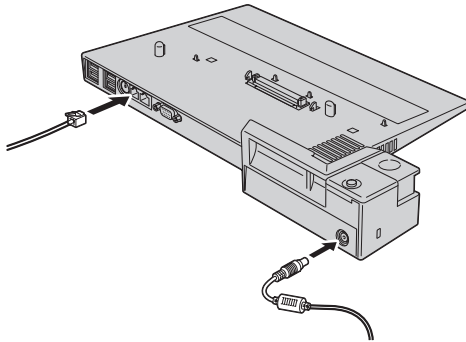
Podrobné informácie o funkciách a používaní tohto produktu nájdete v časti "ThinkPad Essential Port Replicator a ThinkPad Advanced Mini Dock" zabudovaného systému pomoci. Túto časť nájdete stlačením tlačidla ThinkVantage™ na klávesnici počítača ThinkPad, čo otvorí ThinkVantage Productivity Center. Z ponuky otvorte Access Help a vyberte tému v indexe, alebo do poľa vyhľadávania podľa kľúča zadajte "port replicator" a spustíte vyhľadávanie.

Skôr ako pripojíte počítač k ThinkPad Advanced Mini Dock alebo ThinkPad Essential Port Replicator, pripojte napájací zdroj AC a sieťový kábel (ak používate sieť), ako zobrazuje nasledujúci obrázok.

### **ThinkPad Advanced Mini Dock**



## ThinkPad Essential Port Replicator



**Poznámka:** Musíte použiť napájací zdroj AC, ktorý bol dodaný s počítačom ThinkPad.

---

## ThinkPad Advanced Mini Dock ve ThinkPad Essential Port Replicator hakkında

Bu bölümde ThinkPad® Advanced Mini Dock ve ThinkPad Essential Port Replicator ürünlerinin kaydedilmesine ve kurulmasına ilişkin bilgiler bulunur.

---

### Ürünün kaydedilmesi

Bu Lenovo™ ürününü aldığınız için teşekkür ederiz. Lenovo'dan gelecekte daha iyi hizmet alabilmeniz için ürününüzü kaydetmek ve gerekli bilgileri vermek üzere lütfen birkaç dakikanızı ayırın. Görüşleriniz yeni ürünler ve hizmetler geliştirmenin yanı sıra, sizinle daha iyi iletişim kurmamızı sağladığından bizim için değerlidir. Ürününüzü aşağıdaki adreste bulunan Web sitesine kaydedin:

<http://www.lenovo.com/register/>

Web sitesi anketinde ürünle ilgili daha fazla bilgi almak istemediğinizi belirtmediğiniz takdirde, Lenovo size kaydedilen ürününüzle ilgili bilgi ve güncellemeler gönderecektir.

---

### Ürün tanımı

ThinkPad Advanced Mini Dock ve ThinkPad Essential Port Replicator bilgisayarınızın yeteneklerini geliştiren aksamlardır. ThinkPad Advanced Mini Dock ya da ThinkPad Essential Port Replicator'a bağlandığında, bilgisayarınız işyerinizdeki ya da evinizdeki güçlü bir masaüstü bilgisayara öykünme yapabilir. Bilgisayarınız kolay bir şekilde sökülerek taşınabilir.

ThinkPad Advanced Mini Dock takımı aşağıdaki öğeleri içerir:

- ThinkPad Advanced Mini Dock
- Sistem kilidi anahtarları
- AC bağdaştırıcısı
- Güç kablosu
- Bu kullanıcı kılavuzu
- Kuruluş Şeması
- Güvenlik bilgileri

ThinkPad Essential Port Replicator takımı aşağıdaki öğeleri içerir:

- ThinkPad Essential Port Replicator
- Bu kullanıcı kılavuzu
- Kuruluş Şeması
- Güvenlik bilgileri

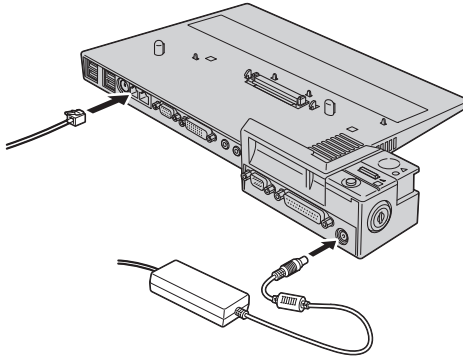
## Ürünün kullanılması

### Not:

Bu ürünün aksamlarına ve kullanılmasına ilişkin ayrıntılı bilgi için yerleşik yardım sisteminizde bulunan "ThinkPad Essential Port Replicator and ThinkPad Advanced Mini Dock" bölümüne bakın. Bu bölümü bulmak için ThinkVantage Productivity Center olanağını açmak üzere ThinkPad klavyenizde bulunan ThinkVantage™ düğmesine basın. Menüden, Access Help'i açıp Index (Dizin) alanından konuyu seçin ya da Search keyword (Anahtar sözcük arama) alanına "port replicator" yazın ve aramayı başlatın.

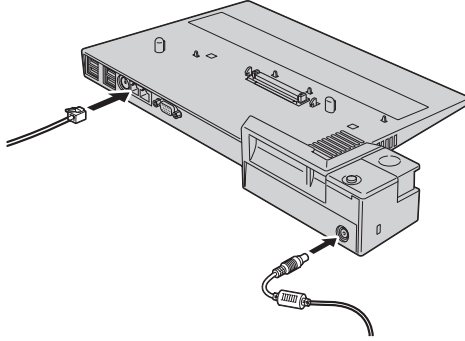
Bilgisayarınızı ThinkPad Advanced Mini Dock ya da ThinkPad Essential Port Replicator ürünlerine bağlamadan önce, AC bağdaştırıcısını ve (ağ kullanıyorsanız) ağ kablosunu resimlerde gösterildiği gibi bağlayın.

### ThinkPad Advanced Mini Dock





## ThinkPad Essential Port Replicator



**Not:** ThinkPad bilgisayarınızla birlikte gönderilen AC bağdaştırıcısını kullandığınızdan emin olun.

---

## Servis İstasyonları

### For Turkey Only (Yalnızca Türkiye İçin)

Garanti süresi içerisinde müşteri arızalı ürünü aşağıda belirtilen merkezlere teslim ederek garanti hizmetinden yararlanır. Ürün yerinde garanti hizmeti içeriyorsa, bu merkezlerden birine telefon edebilirsiniz.

#### Garanti Hizmetinin Alınabileceği Merkezler

##### - ADANA

BSD Bilgisayar San. ve Tic. Ltd. Şti.  
Adres: Cemal Paşa Mah. 7.Sokak No:7  
Mualla Berrin Gökşen Apt. Zemin Kat Seyhan  
Adana  
Web Adresi: <http://www.bsd.com.tr/>  
Telefon: 322 458 25 10 / 322 458 92 80/81  
Faks no: 322 458 47 83

##### - ANKARA

Arion Bilişim Sistemleri Tic. A.Ş.  
Adresi: Hereke Sok. 8/2  
Çankaya Ankara  
Posta Kodu: 06700  
Web Adresi: <http://www.arion.com.tr/>  
Telefon: 312 447 13 95  
Faks no: 312 447 58 36

##### Destek Bilgisayar ve İletişim Hizmetleri Tic. A.Ş.

Adresi: Cinnah Caddesi, No:51/4  
Semt: Çankaya  
Posta kodu: 06680  
Şehir: Ankara  
Web Adresi: <http://www.destek.as/>  
Telefon: 312 442 19 21  
Faks no: 312 441 97 89

##### Probil Bilgi İşlem Destek ve Dan.San. ve Tic. A.Ş.

Adresi: Teknoloji Geliştirme Bölgesi, ODTÜ Ofis Bina, Batı Cephe A-1  
Semt: Odtü  
Posta kodu: 06531  
Şehir: Ankara  
Web Adresi: <http://www.probil.com.tr/>  
Telefon: 312 210 18 08  
Faks no: 312 210 18 05

##### - ANTALYA

Bilsler Bilgi İşlem Tic. Ltd. Şti.

Adresi: Güllük Caddesi, 146.Sokak, Gökhan Apartmanı, No:1/3,6,7

Posta kodu: 07050

Şehir: Antalya

Web Adresi: <http://www.bilsler.net/>

Telefon: 242 247 75 28

Faks no: 242 241 10 68

- BOLU

Ercoskun Bilgisayar Yaz.Don.ve Dan.Hiz. Ltd. Şti.

Adresi: Tabaklar Mahallesi, Cumhuriyet Caddesi, No:35

Posta kodu: 14200

Şehir: Bolu

Web Adresi: <http://www.ercoskun.com.tr/>

Telefon: 374 212 58 46

Faks no: 374 212 70 98

- BURSA

Monitor Digital Bilgisayar Ltd. Şti.

Adresi: Mudanya Yolu, Şehit Mümin Mutlu Sokak, No:2

Posta kodu: 16160

Şehir: Bursa

Web Adresi: <http://www.monitordigital.com/>

Telefon: 224 242 43 10

Faks no: 224 242 40 22

- DENİZLİ

ALM Bilgisayar San. Tic. Ltd. Şti.

Adresi: 2. Ticari Yol, Kazım Kaynak İş Merkezi, No:65 Kat:3

Semt:

Posta kodu: 21100

Şehir: Denizli

Web Adresi: <http://www.bil-san.com.tr/>

Telefon: 258 264 28 55

Faks no: 258 265 74 77

- DİYARBAKIR

Metro Bilgisayar Eğitim Tic. ve San.Ltd. Şti.

Adresi: Ali Emiri 5. Sokak, Kaçmaz Apartmanı, No:4/1

Posta kodu: 21100

Şehir: Diyarbakır

Web Adresi: <http://www.metrobilgisayar.com.tr/>

Telefon: 412 223 94 36

Faks no: 422 224 55 07

- ERZİNCAN

Erzincan Bigisayar

Adresi: Hükümet Caddesi, No:33/1

Şehir: Erzincan

Web Adresi: <http://www.erzincanbilgisayar.com/>  
Telefon: 446 223 89 87  
Faks no: 446 224 24 34

- ERZURUM

Şark Bilgisayar Elektronik San. ve Tic. Ltd.Şti.  
Adresi: Yukarı Mumcu Caddesi, No:9  
Posta kodu: 25100  
Şehir: Erzurum  
Web Adresi: <http://www.sarkbil.com.tr/>  
Telefon: 442 234 21 02 / 04  
Faks no: 442 233 02 79

- ESKİŞEHİR

Eğitim Tanıtım ve Müşavirlik A.Ş. ( ETAM )  
Adresi: Kızılıklı Mahmut Pehlivan Caddesi, Abacı Apartmanı, No:34  
Posta kodu: 26020  
Şehir: Eskişehir  
Web Adresi: <http://www.etamacshop.com/>  
Telefon: 222 221 46 28 / 222 220 50 55  
Faks no: 222 221 69 91

- GAZİANTEP

Kalender Bilgisayar İnşaat Tekstil San. ve Tic. Ltd. Şti.  
Adresi: Karatarla Mahallesi, Yeniçeri Sokak, Sabu Ökkeş Çıkmazı, No:2  
Posta kodu: 27090  
Şehir: Gaziantep  
Web Adresi: <http://www.kalendertr.com/>  
Telefon: 342 215 18 18  
Faks no: 342 215 18 22

- İĞDIR

Ebru Elektronik ve Bilgisayar Sistemleri  
Adresi: Atatürk Caddesi, No:261  
Posta kodu: 76000  
Şehir: Iğdır  
Web Adresi: <http://www.ebruelektronik.com/>  
Telefon: 476 227 76 66 / 476 227 08 43 / 476 227 08 44  
Faks no: 476 227 76 66

- İSTANBUL

Bilgi Birikim Sistemleri Elctr.ve Bilg.Endüstrisi Müh.Hiz.Ltd.Şti.  
Adresi: Kocayol Caddesi, Kozyatağı Sokak, No: 3/B Kat:3  
Semt: Kozyatağı  
Şehir: İstanbul  
Web Adresi: <http://www.bilgibirikim.com/>  
Telefon: 216 373 98 00  
Faks no: 216 373 99 33

Destek Bilgisayar ve İletişim Hizmetleri Tic. A.Ş.

Adresi: Çınar Sokak, No:17

Semt: 4. Levent

Posta kodu: 80620

Şehir: İstanbul

Web Adresi: <http://www.destek.as/>

Telefon: 212 282 44 30

Faks no: 212 264 46 45

Deta Bilgisayar Hizmetleri Ltd. Şti.

Adresi: Vatan Cad. Ortadoğu İş Merkezi 2/1

Semt: Çağlayan

Şehir: İstanbul

Web Adresi: <http://www.deta.com.tr/>

Telefon: 212 296 47 00

Faks no: 212 296 47 06

Netservis Bilgisayar Sistemleri San. ve Tic. Ltd.Şti.

Adresi: İnönü Mahallesi,Alpkaya Caddesi, Ümit İş Merkezi, No:49, Kayışdağı

Semt: Kadıköy

Posta kodu: 34755

Şehir: İstanbul

Web Adresi: <http://netservis.com.tr/>

Telefon: 216 576 82 04

Faks no: 216 576 74 49

Novatek Bilgisayar Sistemleri San.ve Tic.Ltd.Şti.

Adresi: Raşit Rıza Sokak, Yıldırım İş Hanı, No: 1 Kat: 1

Semt: Mecidiyeköy

Posta Kodu: 80300

Şehir: İstanbul

Web Adresi: <http://www.novateknoloji.com/>

Telefon: 212 356 75 77

Faks no: 212 356 75 88

Peritus Bilgisayar Sist. Dış Tic.San.Ltd.Şti.

Adresi: Ziverbey Eğitim Mahallesi, Poyraz Sokak, Sadıkoğlu İş Merkezi 1, D:15

Ziverbey

Semt: Kadıköy

Posta kodu: 81040

Şehir: İstanbul

Web Adresi: <http://www.pbs.biz.tr/>

Telefon: 216 345 08 00

Faks no: 216 349 09 92

Probil Bilgi İşlem Destek ve Dan.San. ve Tic. A.Ş.

Adresi: Eski Büyükdere Caddesi, Dilaver Sokak, No:4 Otosanayi

Semt: 4. Levent

Posta kodu: 80660

Şehir: İstanbul

Web Adresi: <http://www.probil.com.tr/>  
Telefon: 212 317 61 00  
Faks no: 212 325 42 04

Tepum Teknoloji Prog. ve Uygulama Merkezi A.Ş.

Adresi: Emniyet Evleri Mah. Yeniçeri Sok. Emir Han. K:2 No:6  
Semt: 4.Levent  
Posta kodu: 34416  
Şehir: İstanbul  
Web Adresi: <http://www.tepum.com.tr/>  
Telefon: 0 212 324 60 10  
Faks no: 0 212 284 52 40

Turkuaz Bilgisayar Danışmanlık ve Yazılım Ltd. Şti.

Adresi: Doğanbey Caddesi, Çetinkaya Sokak, No:2, Kat:5  
Semt: İçerenköy  
Posta kodu: 81120  
Şehir: İstanbul  
Web Adresi: <http://www.turkuaz.net/>  
Telefon: 216 575 58 32  
Faks no: 216 575 01 08

- İZMİR

Adapa Bilgi Sistemleri A.Ş.

Adresi: Ankara Asfaltı, No:26/3, Rod-Kar 2 İş Merkezi, No: 305-309  
Semt: Bornova  
Posta kodu: 35110  
Şehir: İzmir  
Web Adresi: <http://www.biltas.com.tr/>  
Telefon: 232 462 67 80  
Faks no: 232 462 59 60

Egebimtes Ltd. Şti.

Adresi: 1370 Sokak, No:42, Kat:4, Blok:403, Yalay İş Merkezi  
Semt: Montrö  
Şehir: İzmir  
Web Adresi: <http://www.egebimtes.com.tr/>  
Telefon: 232 489 00 60  
Faks no: 232 489 99 08

Probil Bilgi İşlem Destek ve Dan.San. ve Tic. A.Ş.

Adresi: Şair Eşref Bulvarı, Huzur İşhanı, No:27/2 Kat:2  
Semt: Alsancak  
Posta kodu: 35210  
Şehir: İzmir  
Web Adresi: <http://www.probil.com.tr/>  
Telefon: 232 445 33 33  
Faks no: 232 441 40 40

- KAYSERİ

Netcom Bilişim Hizmetleri ve Tic. Ltd.Şti.

Adresi: Serçeönü Mahallesi Sivas Caddesi Birkan Sokak No:7

Semt: Kocasinan

Şehir: Kayseri

Web Adresi: <http://www.netcom.com.tr/>

Telefon: 352 222 11 43

Faks no: 352 222 07 07

- KONYA

Alamaç Bilgisayar Tic. Ltd. Şti.

Adresi: Babalık Mahallesi, Keyhüsrev Sokak, No:11/B

Posta kodu: 42060

Şehir: Konya

Web Adresi: <http://www.alamac.com.tr/>

Telefon: 332 320 65 20

Faks no: 332 320 65 19

- MALATYA

Probil Bilgi İşlem Destek ve Dan.San. ve Tic. A.Ş.

Adresi: İsmetiye Mahallesi, Yiğitcan İş Merkezi, No:10/6

Posta kodu: 44100

Şehir: Malatya

Web Adresi: <http://www.probil.com.tr/>

Telefon: 422 325 35 07

Faks no: 422 326 27 02

- MUĞLA

Bosis Bilgi ve İletişim Sistemleri Tic. Ltd. Sti.

Adresi: Nafız Özsoy Caddesi, No:8, Bodrum

Şehir: Muğla

Web Adresi: <http://www.bosis.com.tr/>

Telefon: 252 316 05 32

Faks no: 252 313 83 04

- SAMSUN

VIP Bilgi İşlem Ltd. Şti.

Adresi: İstiklal Caddesi, No:159/13

Posta kodu: 55060

Şehir: Samsun

Web Adresi: [http://www.vipbilgiislem.com.tr](http://www.vipbilgiislem.com.tr/)

Telefon: 362 230 88 52

Faks no: 362 234 77 22

- ŞANLIURFA

Bilban Bilgisayar Eğitim Tic. San. Ltd. Şti.

Adresi: Kızılay İşhanı, Kat:1-2

ehir: Şanlıurfa

Web Adresi: <http://www.bilban.com.tr/>

Telefon: 414 215 05 52

Faks no: 414 212 22 15

- TRABZON

Somdata Bilgisayar Paz. ve Tic. Ltd. Şti.

Adresi: Kemer kaya Mahallesi, Gazipaşa Caddesi, 1315 Saruhan İş Merkezi, No:6

Semt:

Posta kodu: 61100

Şehir: Trabzon

Web Adresi: <http://www.somdata.com.tr/>

Telefon: 462 323 15 64 / 84

Faks no: 462 326 56 07



---

## Ek Bilgiler

### For Turkey Only (Yalnızca Türkiye İçin)

#### 1. İmalatçı ya da ithalatçı firmaya ilişkin bilgiler:

Ürünün ithalatçı firması, Lenovo Technology B.V. Merkezi Hollanda Türkiye İstanbul Şubesi'dir. Adresi ve telefonu şöyledir:

Büyükdere Caddesi Yapı Kredi Plaza B Blok

Kat: 15-A, Levent, Beşiktaş

34330, İstanbul, Türkiye

Tel: 90 212 317 15 00

#### 2. Bakım, onarım ve kullanımda uyulması gereken kurallar:

Bu konuyla ilgili öncelikle güvenliğe ilişkin bölümlerin okunmasını tavsiye ederiz. Ürünün kullanılmadan önce kuruluşuna ilişkin bilgiler kitabınızın "ThinkPad Advanced Mini Dock ve ThinkPad Essential Port Replicator hakkında" başlıklı bölümünde verilmiştir. Ürününüzün onarım ya da bakıma gereksinimi olduğunda servis istasyonlarından birine başvurmanızı öneririz. Servis istasyonlarına ilişkin bilgiler ilgili bölümde sağlanmıştır.

#### 3. Taşıma ve nakliye sırasında dikkat edilecek hususlar:

Ürünüze ve bağlı olduğu aygıtı taşıırken ya da nakliye sırasında dikkat etmeniz gereken birkaç nokta vardır. Aygıtı taşımadan önce tüm bağlı ortamların çıkartılmış olması, bağlı aygıtların çözülmesi ve kabloların sökülmüş olması gerekir. Bu aygıtın zarar görmemesi için gereklidir. Ayrıca aygıtınızı taşıırken uygun koruma sağlayan bir taşıma kutusu kullanılmasına dikkat edin.

#### 4. Aygıtı ilişkin bakım, onarım ya da temizliğe ilişkin bilgiler:

Aygıtı ilişkin kullanıcının yapabileceği bir bakım ya da onarım yoktur. Bakım ya da onarıma gereksinim duyarsanız bir Çözüm Ortağı'ndan destek alabilirsiniz. Bakıma ilişkin diğer ek bilgiler için kitabın ilgili bölümünden (eğer sağlanmışsa) yararlanabilirsiniz. Ayrıca servis istasyonlarına ilişkin bilgileri kitabınızın aynı başlıklı bölümünde bulabilirsiniz.

#### 5. Kullanım sırasında insan ya da çevre sağlığına zararlı olabilecek durumlar:

Böylesi bir duruma maruz kalmamak için güvenlik yönergelerinde belirtilen hususları dikkatle okuyun ve uygulayın.

#### 6. Kullanım hatalarına ilişkin bilgiler:

Kullanımla ilgili hatalardan kaçınmak için güvenlik yönergelerini okumanızı tavsiye ederiz.

#### 7. Ürünün özelliklerine ilişkin tanıtıcı ve temel bilgiler:

Ürünüze ilişkin tanıtıcı ve temel bilgileri "Ürün tanımı" başlıklı bölümde bulabilirsiniz.

#### 8. Periyodik bakıma ilişkin bilgiler:

Ürün bir uzmanın yapması gereken periyodik bakımı içermez.

#### 9. Bağlantı ve montaja ilişkin bilgiler:

Aksamınızı çalışır hale getirebilmeniz için gerekli bağlantı ve montaj bilgileri "ThinkPad Advanced Mini Dock ve ThinkPad Essential Port Replicator hakkında" başlıklı bölümde açıklanmıştır. Kuruluş işlemini kendiniz yapmak istemiyorsanız satıcınızdan ya da bir servis istasyonundan ücret karşılığında destek alabilirsiniz.

#### 10. Bakanlıkça tespit ve ilan edilen kullanım ömrü:

Bakanlıkça tespit ve ilan edilen kullanım ömrü 7 yıldır.

#### 11. Varsa standart numarası:

Ürünün standart numarası yoktur.

#### 12. Servis istasyonlarına ilişkin bilgiler:

Bunlar kitabınızın aynı başlıklı bölümünde belirtilmiştir. Herhangi bir onarım ya da yedek parça ihtiyacı durumunda bu istasyonlardan birine başvurabilirsiniz.

#### 13. İthal edilmiş mallarda, yurt dışındaki üretici firmanın unvanı ve açık adresi ile diğer erişim bilgileri (telefon, telefaks ve e-posta vb.):

Ürün şirketimizin dünyadaki değişik üretim tesislerinin herhangi birinde üretilmiş olabilir. Bu kılavuz beraberindeki ürünün menşeyini kutu üzerindeki etiketlerden öğrenmek imkanı bulunmaktadır.

#### 14. "CE" işareti (varsa) ve uygunluk değerlendirme kuruluşunun unvanı ve açık adresi (telefon, telefaks ve e-posta vb.):

Şirketimizin AR-GE ve kalite kontrol laboratuvarları ürettiğimiz ürünlerin CE Uygunluğunu değerlendirmeye yetkilidir.

---

## 关于 ThinkPad Advanced Mini Dock 和 ThinkPad Essential Port Replicator

本节提供有关注册和安装 ThinkPad® Advanced Mini Dock 和 ThinkPad Essential Port Replicator 的信息。

---

### 产品注册

感谢您购买该 Lenovo™ 产品。请花一点时间注册您的产品并向我们提供有助于 Lenovo 将来更好地为您服务的信息。您的反馈对于我们开发对您相当重要的产品和服务，以及寻找更好的方式以便与您沟通方面具有重要价值。请在以下 Web 站点注册您的产品：

<http://www.lenovo.com/register/>

Lenovo 将向您发送有关您所注册的产品信息和更新，除非您在 Web 站点的调查表中表明您不希望接收进一步的信息。

---

### 产品描述

ThinkPad Advanced Mini Dock 和 ThinkPad Essential Port Replicator 是扩展计算机功能的选件。当计算机连接到 ThinkPad Advanced Mini Dock 或 ThinkPad Essential Port Replicator 上时，它可以模拟办公室或家里的功能强大的台式计算机。您的计算机具有便携性，易于拆离。

ThinkPad Advanced Mini Dock 工具箱包括：

- ThinkPad Advanced Mini Dock
- 系统锁钥匙
- 交流电源适配器
- 电源线
- 本《用户指南》
- 安装海报
- 《安全信息》

ThinkPad Essential Port Replicator 工具箱包括：

- ThinkPad Essential Port Replicator
- 本《用户指南》
- 安装海报
- 《安全信息》

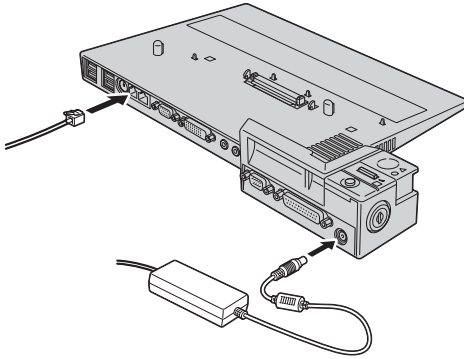
## 使用该产品

### 注:

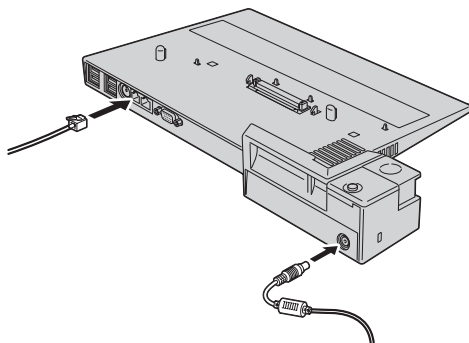
有关使用本产品及其功能特性的详细信息，请参阅联机帮助系统的“ThinkPad Essential Port Replicator 和 ThinkPad Advanced Mini Dock”一节。要查找本节，请按 ThinkPad 键盘上的 ThinkVantage™ 按钮以打开 ThinkVantage Productivity Center。从该菜单中打开“访问帮助”并在“索引”中选择主题，或在“搜索”关键字字段中输入“端口复制器”，然后开始搜索。

在将您的计算机连接到 ThinkPad Advanced Mini Dock 或 ThinkPad Essential Port Replicator 之前，请按下图所示连接交流电源适配器和网络电缆（如果使用了网络）。

### ThinkPad Advanced Mini Dock



## ThinkPad Essential Port Replicator



注：请确保使用 ThinkPad 计算机随附的交流电源适配器。

---

## 關於 ThinkPad Advanced Mini Dock 及 ThinkPad Essential Port Replicator

本章提供註冊及安裝 ThinkPad® Advanced Mini Dock 及 ThinkPad Essential Port Replicator 的相關訊息。

---

### 產品註冊

感謝您購買本 Lenovo™ 產品。請用一點時間註冊您的產品並提供我們資訊，此資訊將有助於 Lenovo 將來為您提供更好的服務。您的寶貴意見對於我們在開發產品和提供與您切身相關的服務，以及發展出更方便與您通訊的方法來說很有價值。請前往下列網站註冊您的產品，網址如下：

<http://www.lenovo.com/register/>

除非您在網站問卷指示不想收到進一步資訊，否則 Lenovo 會提供您所註冊產品的相關資訊和更新版本。

---

### 產品說明

ThinkPad Advanced Mini Dock 及 ThinkPad Essential Port Replicator 都是可以擴充電腦功能的選用設備。接上 ThinkPad Advanced Mini Dock 或 ThinkPad Essential Port Replicator 時，電腦的強大功能將可比擬辦公室或家中的桌上型電腦。在可攜性方面，電腦也能很容易地與基座分離。

ThinkPad Advanced Mini Dock 套件中包含：

- ThinkPad Advanced Mini Dock
- 系統鎖定鍵
- AC 整流器
- 電源線
- 本使用手冊
- 安裝海報
- 安全資訊

ThinkPad Essential Port Replicator 套件中包含：

- ThinkPad Essential Port Replicator
- 本使用手冊
- 安裝海報
- 安全資訊

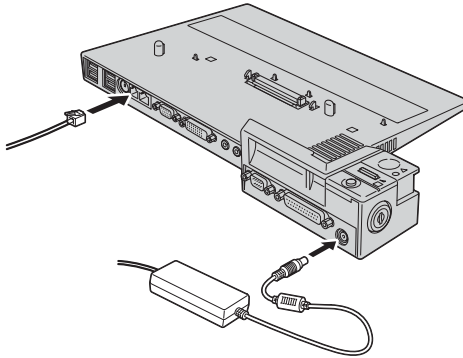
## 使用產品

### 附註：

如需本產品功能及用法的詳細資訊，請參閱電腦內建說明系統中的「ThinkPad Essential Port Replicator 及 ThinkPad Advanced Mini Dock」一節。若要找到此節，請按一下 ThinkPad 鍵盤上的 ThinkVantage™ 按鈕，開啓 ThinkVantage Productivity Center。從功能表開啓 Access Help，然後選取索引中的主題，或在 Search 關鍵字欄位中輸入 "port replicator"，然後開始搜尋。

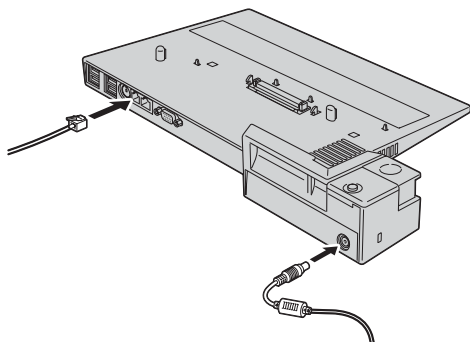
將電腦連接至 ThinkPad Advanced Mini Dock 或 ThinkPad Essential Port Replicator 之前，請先接上 AC 整流器及網路線（如果使用網路的話），如圖所示。

### ThinkPad Advanced Mini Dock





## ThinkPad Essential Port Replicator



註：請務必使用 ThinkPad 電腦隨附的 AC 整流器。

---

## ThinkPad アドバンスド・ミニ・ドックおよび ThinkPad エssenシャル・ポート・リプリケーターについて

このセクションでは、ThinkPad® アドバンスド・ミニ・ドックおよび ThinkPad エssenシャル・ポート・リプリケーターの登録および取り付け方法について説明します。

---

### 製品の登録

本 Lenovo™ 製品をご購入いただきありがとうございます。お手数ですが、購入された製品を登録していただき、弊社が今後よりよいサービスを提供していく上で役立つようなコメントやご意見をお寄せくださいますようお願いいたします。お客様からのフィードバックは、弊社がお客様にとって重要な製品やサービスを開発したり、お客様とのコミュニケーション方法を改善する上で貴重なものです。お客様の製品を次の Web サイトにご登録くださいますようお願いいたします。

<http://www.ibm.com/jp/jpccinfo/ibmjreg/>

ご登録いただいたお客様の製品につきましては、お客様から別途受信のお断りがない限り、弊社より新しい情報や更新情報をお送りさせていただきます。

---

### 製品説明

ThinkPad アドバンスド・ミニ・ドックと ThinkPad エssenシャル・ポート・リプリケーター は、ご使用の ThinkPad の機能を拡張するためのオプションです。ご使用の ThinkPad に ThinkPad アドバンスド・ミニ・ドックまたは ThinkPad エssenシャル・ポート・リプリケーターを接続すると、オフィスやご自宅などでパワフルなデスクトップ・コンピューターをエミュレートできるようになります。また、ThinkPad 本体だけを簡単に取り外して持ち運ぶことが可能になります。

ThinkPad アドバンスド・ミニ・ドックのパッケージには、以下のものが入っています。

- ThinkPad アドバンスド・ミニ・ドック
- システム・ロック・キー
- AC アダプター
- 電源コード
- 当ユーザーズ・ガイド
- セットアップ・ポスター
- 安全に関する冊子

ThinkPad エssenシャル・ポート・リプリケーターのパッケージには、以下のものが入っています。

- ThinkPad エssenシャル・ポート・リプリケーター
- 当ユーザーズ・ガイド
- セットアップ・ポスター
- 安全に関する冊子

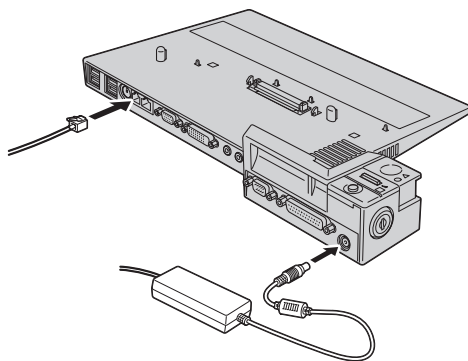
## 製品の使用

### 注:

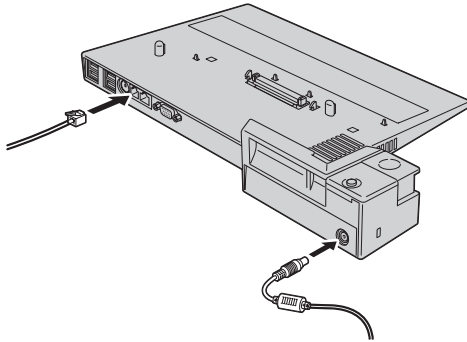
本製品の機能および使用に関して詳しくは、システムのオンライン・ヘルプの「ThinkPad エssenシャル・ポート・リプリケーターおよび ThinkPad アドバンスド・ミニ・ドック」のセクションを参照してください。ご使用の ThinkPad のキーボードで ThinkVantage™ ボタンを押し、「ThinkVantage プロダクティビティー・センター」を開くと、このセクションが見つかります。メニューから、「アクセス・ヘルプ」を開き、「索引」でこのセクションを選択するか、検索キーワード・フィールドに「ポート・リプリケーター」を入力して、検索を開始します。

AC アダプターとネットワーク・ケーブル (ネットワークをお使いの場合) を下図のように接続してから、ご使用の ThinkPad を ThinkPad アドバンスド・ミニ・ドックまたは ThinkPad エssenシャル・ポート・リプリケーターに取り付けます。

### ThinkPad アドバンスド・ミニ・ドック



## ThinkPad エssenシャル・ポート・リプリケーター



注: ThinkPad に付属の AC アダプターを必ずお使いください。

---

## Appendix A. Service and Support

The following information describes the technical support that is available for your product, during the warranty period or throughout the life of the product. Refer to your Lenovo Statement of Limited Warranty for a full explanation of Lenovo warranty terms.

---

### Online technical support

Online technical support is available during the life of your product through the Personal Computing Support Web site at <http://www.lenovo.com/think/support>.

During the warranty period, assistance for replacement or exchange of defective components is available. In addition, if your option is installed in a ThinkPad or ThinkCentre computer, you might be entitled to service at your location. Your technical support representative can help you determine the best alternative.

---

### Telephone technical support

Installation and configuration support through the Customer Support Center will be withdrawn or made available for a fee, at Lenovo's discretion, 90 days after the option has been withdrawn from marketing. Additional support offerings, including step-by-step installation assistance, are available for a nominal fee.

To assist the technical support representative, have available as much of the following information as possible:

- Option name
- Option number
- Proof of purchase
- Computer manufacturer, model, serial number, and manual
- Exact wording of the error message (if any)
- Description of the problem
- Hardware and software configuration information for your system

If possible, be at your computer. Your technical support representative might want to walk you through the problem during the call.

For a list of Service and Support phone numbers, see "Worldwide telephone list" on page B-15. Phone numbers are subject to change without notice. For

the most current phone numbers, go to <http://www.lenovo.com/think/support> and click **Support phone list**. If the number for your country or region is not listed, contact your reseller or Lenovo marketing representative.

---

## Appendix B. Warranty information

### Warranty Information

The complete Statement of Limited Warranty is available in 29 languages and may be viewed online at <http://www.lenovo.com/think/warranty> or can be obtained by calling the phone number for your country in the telephone list below.

Warranty Information applicable to your Machine:

1. Warranty Period: 1 year
2. Type of Warranty Service: Customer Replaceable Unit ("CRU") and Customer Carry-In or Mail-In Service
3. Statement of Limited Warranty Version: LSOLW-00 05/2005

For warranty service consult the telephone list below. For service in countries not yet listed, visit [www.lenovo.com/think/support](http://www.lenovo.com/think/support) and click Support Phone List for a current telephone listing. Phone numbers are subject to change without notice.

### Garantie

La Déclaration de Garantie complète, disponible dans 29 langues, est accessible en ligne, à l'adresse <http://www.lenovo.com/think/warranty> ou peut être obtenue en appelant le numéro de téléphone correspondant à votre pays dans la liste ci-après.

Garantie applicable à votre Machine :

1. Période de garantie : 1 an
2. Type de service de garantie : Unité remplaçable par l'utilisateur et service après-vente en magasin ou par courrier
3. Version de la Déclaration de Garantie : LSOLW-00 05/2005

Pour connaître les services de garantie, consultez la liste de numéros de téléphone ci-après. Pour les services de garantie dans les pays ne figurant pas dans cette liste, reportez-vous au site <http://www.lenovo.com/think/support/> et cliquez sur Support Phone List pour obtenir une liste de numéros de téléphone en cours. Les numéros de téléphone font l'objet de modification sans préavis.

## Información de garantía

El documento completo de Declaración de garantía limitada está disponible en 29 idiomas y se puede consultar en línea desde la dirección <http://www.lenovo.com/think/warranty> o puede conseguirlo llamando al número de teléfono de su país que figura en la lista siguiente.

Información de garantía aplicable a su máquina:

1. Período de garantía: 1 año
2. Tipo de servicio de garantía: Unidad reemplazable por el cliente ("CRU") y servicio de transporte por parte del usuario o correo
3. Versión de la declaración de garantía limitada: LSOLW-00 05/2005.

Si desea información sobre el servicio de garantía, consulte la lista de teléfonos siguiente. Para obtener servicio en los países que no figuran listados, visite [www.lenovo.com/think/support](http://www.lenovo.com/think/support) y pulse Support Phone List para conseguir un listado telefónico actualizado. Los números de teléfono están sujetos a cambio sin previo aviso.

## Gewährleistungsinformationen

Die vollständige Erklärung über begrenzte Gewährleistung steht in 29 Sprachen zur Verfügung und kann online unter <http://www.lenovo.com/think/warranty> angezeigt werden. Sie können die Erklärung auch über die unten angegebene Telefonnummer für Ihr Land anfordern.

Für Ihre Maschine gelten folgende Gewährleistungsinformationen:

1. Gewährleistungszeitraum: 1 Jahr
2. Art des Gewährleistungsservice: "CRU"-Service (Customer Replaceable Unit, durch den Kunden austauschbare Funktionseinheit) und Anlieferung durch den Kunden oder per Versand
3. Version der Erklärung über begrenzte Gewährleistung: LSOLW-00 05/2005

Um Gewährleistungsservice in Anspruch zu nehmen, rufen Sie die entsprechende Telefonnummer aus der folgenden Liste an. Um Service in noch nicht aufgelisteten Ländern anzufordern, rufen Sie die Website unter [www.lenovo.com/think/support](http://www.lenovo.com/think/support) auf, und klicken Sie auf "Support Phone List". Daraufhin wird eine aktuelle Liste mit Telefonnummern angezeigt. Telefonnummern können jederzeit ohne Vorankündigung geändert werden.

## Informazioni sulla garanzia



Le informazioni complete sulle istruzioni di garanzia limitata sono disponibili in 29 lingue può essere visualizzato online nel sito <http://www.lenovo.com/think/warranty> oppure si può ottenere tramite chiamata telefonica al numero telefonico del proprio paese nell'elenco sottostante.

Informazioni di garanzia applicabili alla propria macchina:

1. Periodo di garanzia: 1 anno
2. Tipo del servizio di garanzia: Customer Replaceable Unit ("CRU") e Customer Carry-In o Mail-In Service
3. Dichiarazioni della versione del limite di garanzia: LSOLW-00 05/2005

Per il servizio di garanzia consultare l'elenco telefonico riportato di seguito. Per il servizio nei paesi non in elenco, visitare il sito [www.lenovo.com/think/support](http://www.lenovo.com/think/support) e fare clic su supporto Elenco telefonico per un elenco telefonico corrente. I numeri telefonici sono soggetti a modifiche senza previa notifica.

Informações de Garantia

A Declaração de Garantia Limitada completa está disponível em 29 idiomas e pode ser exibida utilizando-se o CD do produto ou on-line no endereço <http://www.lenovo.com/think/warranty>. Ela também pode ser obtida ligando para o número de telefone de seu país na lista de telefones abaixo.

Informações de garantia aplicáveis ao seu computador:

1. Período de Garantia: 1 ano
2. Tipo de Serviço de Garantia: CRU (Customer Replaceable Unit) e Serviço de Atendimento ou Mala Direta ao Cliente
3. Versão da Declaração de Garantia Limitada: LSOLW-00 05/2005

Para obter o serviço de garantia, consulte a lista telefônica abaixo. Para serviços em países que ainda não estão listados, visite o endereço [www.lenovo.com/think/support](http://www.lenovo.com/think/support) e clique em Support Phone List para obter uma lista atual de telefones. Os números de telefone estão sujeitos a alteração sem aviso prévio.

## Πληροφορίες σχετικά με την Εγγύηση

Το πλήρες κείμενο της Δήλωσης Περιορισμένης Εγγύησης είναι διαθέσιμο σε 29 γλώσσες και μπορεί να εξεταστεί από την ιστοσελίδα <http://www.lenovo.com/think/warranty> ή να παραγγελθεί στον αριθμό τηλεφώνου που αναφέρεται για τη χώρα σας στον παρακάτω τηλεφωνικό κατάλογο.

Πληροφορίες σχετικά με την Εγγύηση που ισχύει για τη Μηχανή σας:

1. Περίοδος Εγγύησης: 1 έτος
2. Είδος Υπηρεσιών Εγγύησης: Υπηρεσία Μονάδων Αντικαθιστώμενων από τον Πελάτη ("CRU") και Υπηρεσίες με Μεταφορά ή Αποστολή από τον Πελάτη
3. Εκδοχή της Δήλωσης Περιορισμένης Εγγύησης: LSOLW-00 05/2005

Για τη λήψη υπηρεσιών εγγύησης, συμβουλευτείτε τον παρακάτω τηλεφωνικό κατάλογο. Για τη λήψη υπηρεσιών εγγύησης σε χώρα που δεν περιλαμβάνεται στον κατάλογο, επισκεφθείτε την ιστοσελίδα [www.lenovo.com/think/support](http://www.lenovo.com/think/support) και επιλέξτε Support Phone List για να πληροφορηθείτε τους τρέχοντες αριθμούς τηλεφώνου. Οι αριθμοί τηλεφώνου υπόκεινται σε αλλαγή χωρίς ειδοποίηση.

### Informatie over de garantie

De volledig Verklaring van beperkte garantie is beschikbaar in 29 talen en kan worden ingezien online op <http://www.lenovo.com/think/warranty> of kan worden verkregen door het telefoonnummer van uw land in de lijst hieronder te bellen.

Garantie-informatie voor uw Machine:

1. Garantieperiode: 1 year
2. Type garantieservice: CRU (Customer Replaceable Unit) en Customer Carry-In of Mail-In Service
3. Versie van Verklaring van beperkte garantie: LSOLW-00 05/2005

Voor garantieservice raadpleegt u de telefoonlijst hieronder. Voor niet genoemde landen gaat u naar [www.lenovo.com/think/support](http://www.lenovo.com/think/support) en klikt u op Support Phone List voor een actuele telefoonlijst. Telefoonnummers kunnen zonder voorafgaand bericht worden gewijzigd.

### Garantioplysninger

Det fulde Servicebevis (Statement of Limited Warranty) er oversat til 29 sprog og kan læses online på adressen <http://www.lenovo.com/think/warranty> eller kan fås ved at ringe til telefonnummeret for Deres land i nedenstående telefonliste.

Garantioplysninger for Deres Maskine:

1. Garantiperiode: 1 år
2. Servicetype i garantiperioden: CRU-service (Customer Replaceable Unit) og indleveringsservice eller indsendelsesservice
3. Version af Servicebevis: LSOLW-00 05/2005

Se nedenstående telefonliste vedr. garantiservice. Lande, som ikke er nævnt i listen, findes på adressen [www.lenovo.com/think/support](http://www.lenovo.com/think/support). Klik på Support Phone List for at få vist en aktuel liste over telefonnumre. Telefonnumre kan ændres uden forudgående varsel.

Takuutiedot

Rajoitetun takuun ehdot sisältävä asiakirja on saatavana 29 eri kielellä, ja sitä voi tarkastella siirtymällä WWW-osoitteeseen <http://www.lenovo.com/think/warranty>, tai sen voi pyytää soittamalla jäljempänä olevassa puhelinnumeroluettelossa olevaan maakohtaiseen numeroon.

Konetta koskevat takuutiedot:

1. Takuuaika: 1 vuosi
2. Takuupalvelun laji: Asiakkaan vaihdettavissa olevia osia (CRU) koskeva palvelu ja asiakkaan toteuttama kuljetus tai postikuljetus
3. Rajoitetun takuun ehtojen versio: LSOLW-00 05/2005

Saat takuupalveluja soittamalla sopivaan alla olevan luettelon puhelinnumeroon. Jos haluamaasi maata ei ole vielä luettelossa, siirry WWW-osoitteeseen [www.lenovo.com/think/support](http://www.lenovo.com/think/support) ja napsauta Support Phone List -linkkiä, jotta näkyviin tulee ajan tasalla oleva maakohtaisten palvelupuhelinnumeroiden luettelo. Puhelinnumerot voivat muuttua ilman ennakoilmoitusta.

Garantibetingelser

De fullstendige garantibetingelsene er tilgjengelige på 29 språk på nettadressen <http://www.lenovo.com/think/warranty> eller kan bestilles ved å ringe telefonnummeret for ditt land på telefonlisten nedenfor.

Garantibetingelser som gjelder for din maskin:

1. Garantiperiode: 1 år
2. Type garantiservice: Customer Replaceable Unit ("CRU") og service med innlevering eller innsending
3. Versjon av garantibetingelser: LSOLW-00 05/2005

For garantiservice, se telefonlisten nedenfor. For service i land som ikke er på listen ennå, gå til [www.lenovo.com/think/support](http://www.lenovo.com/think/support) og klikk på Support Phone List for å få en oppdatert telefonliste. Telefonnumre kan endres uten forhåndsvarsel.

### Garantibetingelser

De fullstendige garantibetingelsene er tilgjengelige på 29 språk på nettadressen <http://www.lenovo.com/think/warranty> eller kan bestilles ved å ringe telefonnummeret for ditt land på telefonlisten nedenfor.

Garantibetingelser som gjelder for din maskin:

1. Garantiperiode: 1 år
2. Type garantiservice: Customer Replaceable Unit ("CRU") og service med innlevering eller innsending
3. Versjon av garantibetingelser: LSOLW-00 05/2005

For garantiservice, se telefonlisten nedenfor. For service i land som ikke er på listen ennå, gå til [www.lenovo.com/think/support](http://www.lenovo.com/think/support) og klikk på Support Phone List for å få en oppdatert telefonliste. Telefonnumre kan endres uten forhåndsvarsel.

## Informacje gwarancyjne

Kompletne Warunki Ograniczonej Gwarancji są dostępne w 29 językach i można się je uzyskać korzystając adresu <http://www.lenovo.com/think/warranty> lub dzwoniąc pod numer telefonu dla danego kraju, znajdujący się na poniższej liście.

Informacje gwarancyjne mające zastosowanie do Maszyny Klienta:

1. Okres gwarancyjny: 1 rok
2. Typ serwisu gwarancyjnego: serwis polegający na dostarczeniu Części Wymienianych przez Klienta (Customer Replaceable Unit - CRU) oraz serwis z wysyłką lub transportem przez Klienta
3. Warunki Ograniczonej Gwarancji, wersja: LSOLW-00 05/2005

Lista telefonów do osób odpowiedzialnych za serwis gwarancyjny znajduje się poniżej. Aktualne numery telefonów do osób odpowiedzialnych za serwis w krajach nieuwzględnionych poniżej można znaleźć pod adresem [www.lenovo.com/think/support](http://www.lenovo.com/think/support), klikając przycisk Support Phone List. Numery telefonów mogą ulec zmianie bez powiadomienia.

## Informações Sobre a Garantia

A Declaração de Garantia Limitada encontra-se disponível em 29 idiomas e pode ser consultada em linha no endereço <http://www.lenovo.com/think/warranty> ou pode ser obtida ligando para o número de telefone do respectivo país disponível na lista de telefones em baixo.

Informação sobre garantia aplicável à Máquina:

1. Período de Garantia: 1 ano
2. Tipo de Serviço de Garantia: Unidade Substituível pelo Cliente ("CRU") e Serviço de Entrega ou Envio
3. Versão da Declaração de Garantia Limitada: LSOLW-00 05/2005

Para obter o número de telefone de contacto do serviço de garantia, consulte a lista de números telefone abaixo apresentada. Para obter o serviço em países que ainda não constam na lista, consulte o Web site [www.lenovo.com/think/support](http://www.lenovo.com/think/support) e faça clique em Support Phone List para obter uma lista telefónica actual. Os números de telefone estão sujeitos a alteração sem aviso prévio.

## Garantiinformation

Den fullständiga Begränsade garantin (Statement of Limited Warranty) finns på 29 språk och kan läsas i sin helhet på webben, adress <http://www.lenovo.com/think/warranty> Du kan också beställa den på ditt lands telefonnummer i listan nedan.

Garantiinformation som gäller den här Maskinen:

1. Garantiid: 1 år
2. Typ av garantiservice: Kunden byter ut delar ("CRU" - Customer Replaceable Unit) och Kunden lämnar in (Customer Carry-In) eller skickar in (Mail-In) Maskinen på service
3. Begränsad garanti, version: LSOLW-00 05/2005

Telefonnummer till ställen där du kan få garantiservice finns i listan nedan.

Länder som ännu inte finns i listan kan du hitta på

<http://www.lenovo.com/think/support/> Klicka på Support Phone List så får du en aktuell telefonlista. Telefonnummer kan komma att ändras utan att du meddelas om detta.

## Záručné informácie

Kompletné Vyhlásenie o obmedzenej záruke je k dispozícii v 29 jazykoch a môžete si ho pozrieť online na <http://www.lenovo.com/think/warranty> alebo ho získate, keď zavoláte na telefónne číslo vašej krajiny, uvedené v telefónnom zozname.

Záručné informácie týkajúce sa vášho Počítača:

1. Záručná doba: 1 rok
2. Typ záručného servisu: Customer Replaceable Unit ("CRU") a Customer Carry-In alebo Mail-In Service
3. Verzia vyhlásenia o obmedzenej záruke: LSOLW-00 05/2005

Záručný servis konzultujte na čísle v dole uvedenom telefónnom zozname. Servis v krajinách, ktoré tu nie sú uvedené, nájdete na [www.lenovo.com/think/support](http://www.lenovo.com/think/support). Po kliknutí na Support Phone List nájdete aktuálny telefónny zoznam. Telefónne čísla sú predmetom zmeny bez upozornenia.

## Garancijske informacije

Celotna izjava o omejeni garanciji je na voljo v 29 jezikih, ogledate si jo lahko naspletni strani <http://www.lenovo.com/think/warranty> oz. jo pridobite tako, da pokličete telefonsko številko za vašo državo s spodnjega seznama telefonskih števil.

Garancijski pogoji, ki veljajo za vaš računalnik:

1. Garancijsko obdobje: 1 leto
2. Vrsta garancijskega servisa: del, ki ga lahko zamenja stranka ("CRU"), in strankina ali poštna dostava na servis
3. Različica izjave o omejeni garanciji: LSOLW-00 05/2005

Za garancijski servis si oglejte spodnji seznam telefonskih števil. Za servis v državah, ki jih seznam še ne vključuje, obiščite [www.lenovo.com/think/support](http://www.lenovo.com/think/support) in za najnovejši seznam telefonskih števil kliknite Support Phone List (Seznam telefonskih števil za podporo). Pridržujemo si pravico do sprememb telefonskih števil brez predhodnega obvestila.

## Гаранционна информация

Пълният текст на Ограничените гаранционни условия е достъпен на 29 езика, и може да бъде прегледан онлайн на <http://www.lenovo.com/think/warranty>, или да бъде придобит чрез обаждане на телефонния номер за вашата страна в списъка с телефони по-долу.

Гаранционна информация, приложима за вашата Машина:

1. Гаранционен период: 1 година
2. Тип гаранционно обслужване: Подменяеми от клиента части ("CRU") и Обслужване с доставка от клиента или по пощата
3. Версия на Ограничените гаранционни условия: LSOLW-00 05/2005

Za гаранционно обслужване вижте списъка с телефони по-долу. Za обслужване в неспоменati засега strani, посетete [www.lenovo.com/think/support](http://www.lenovo.com/think/support), и щракnete на Support Phone List za aktualen spisък на телефоните. Телефонните номера подлежат на промяна без предизvestие.

## Jótállási tájékoztatás

A Korlátozott jótállási nyilatkozat 29 nyelven rendelkezésre áll, és megtekinthető online módon a <http://www.lenovo.com/think/warranty> címen, vagy beszerezhető az országára vonatkozó, alábbi telefonszám felhívásával.

A gépre vonatkozó jótállási feltételek:

1. Jótállási időtartam: 1 év
2. Garanciális szerviz típusa: Felhasználó által cserélhető egység ("CRU") és beszállításos vagy postázásos szerviz
3. Korlátozott jótállási nyilatkozat száma: LSOLW-00 05/2005

A garanciális szervizről az alábbi telefonszámokon érdeklődhet. A fel nem sorolt országokban rendelkezésre álló szervizekről a [www.lenovo.com/think/support](http://www.lenovo.com/think/support) címen tájékozódhat (kattintson a Support Phone List elemre az aktuális telefonszámokért).

A telefonszámok bejelentés nélkül megváltozhatnak.

## Garanti Bilgileri

Sınırlı Garanti Bildirimi'nin tamamı 29 dile çevrilmiştir. Sınırlı Garanti Bildirimi'ni <http://www.lenovo.com/think/warranty> adresinden çevrimiçi olarak görüntüleyebilir ya da aşağıdaki telefon listesinde yer alan ülkenize ilişkin telefon numarasını arayarak edinebilirsiniz.

Makineniz için geçerli Garanti Bilgileri:

1. Garanti Süresi: 2 yıl
2. Garanti Hizmetinin Tipi: Müşteri Yerinde Hizmet ve Müşteri Tarafından Teslim ya da Postayla Teslim Hizmeti
3. Sınırlı Garanti Bildirimi'nin Sürümü: LSOLW-00 05/2005

Garanti hizmeti için aşağıdaki telefon listesine bakın. Listede olmayan ülkelerdeki hizmetler için [www.lenovo.com/think/support](http://www.lenovo.com/think/support) adresine gidip Support Phone List seçeneğini tıklatarak güncel telefon listesine ulaşabilirsiniz. Telefon numaraları bildirilmeden değiştirilebilir.



## Informacije o jamstvu

Potpuna Izjava o ograničenom jamstvu je dostupna na 29 jezika i može se vidjeti online na <http://www.lenovo.com/think/warranty> ili se može dobiti pozivom na telefonski broj za vašu zemlju iz donjeg popisa s brojevima telefona.

Informacije o jamstvu koje se odnose na vaš Stroj:

1. Period jamstva: 1 godina
2. Tip jamstvenog servisa: Korisnički zamjenjiva jedinica ("CRU") i servis s dostavom ili poštanskom otpremom korisnika
3. Izjava o ograničenom jamstvu Verzija: LSOLW-00 05/2005

Radi jamstvenog servisa pogledajte donji popis telefona. Za servis u zemljama koje još nisu na popisu posjetite <http://www.lenovo.com/think/support/> i kliknite Popis telefona za podršku za trenutni popis telefona. Telefonski brojevi se mogu promijeniti bez prethodne obavijesti.

## Informace o záruce

Úplné Prohlášení o omezené záruce je k dispozici v 29 jazycích a můžete si jej prohlédnout webové stránce <http://www.lenovo.com/think/warranty>, nebo si jej můžete telefonicky vyžádat. Čísla pro jednotlivé země jsou uvedena dále.

Informace o záruce vztahující se k vašemu stroji:

1. Záruční doba: 1 rok
2. Typ záručního servisu: CRU (Customer Replaceable Unit, díly vyměnitelné zákazníkem) a servis typu Customer Carry-In nebo Mail-In.
3. Prohlášení o omezené záruce, verze: LSOLW-00 05/2005

Informace o záručním servisu získáte na následujících telefonních číslech. Není-li na seznamu uvedeno číslo země, kterou hledáte, navštivte webové stránky [www.lenovo.com/think/support](http://www.lenovo.com/think/support), klepněte na odkaz Support Phone List (telefonní seznam podpory) a zobrazí se aktuální telefonní seznam. Telefonní čísla se mohou měnit bez předchozího upozornění.

## מידע אחריות

הצהרת האחריות המוגבלת המלאה זמינה ב-29 שפות,  
וניתן למצוא אותה באינטרנט, בכתובת  
<http://www.lenovo.com/think/warranty>

מידע אחריות הישים למחשב שלכם:

1. תקופת אחריות: שנה אחת
2. סוג של שירות אחריות: יחידות להחלפה עצמית ("CRU")  
ושירות נשיאה עצמית של לקוחות או משלוח בדואר
3. גרסת הצהרת האחריות המוגבלת: 05/2005 LSOLW-00

לקבלת שירות אחריות, עיינו ברשימת הטלפונים שלהלן.  
לקבלת שירות במדינות שאינן מפורטות, בקרו באתר  
[www.lenovo.com/think/support](http://www.lenovo.com/think/support), ולחצו על  
Support Phone List לקבלת רשימת טלפונים עדכנית.  
מספרי הטלפון ניתנים לשינוי ללא הודעה מראש.

## Информация о гарантии

Полный текст Заявления об ограниченной гарантии переведен на 29 языков; с ним можно ознакомиться на Web-сайте <http://www.lenovo.com/think/warranty> или позвонив по телефону; номер телефона для вашей страны приведен в нижеследующем списке.

Информация о гарантии для вашего компьютера:

1. Гарантийный срок: 1 год
2. Тип гарантийного обслуживания: Обслуживание при отказе узлов, подлежащих замене силами заказчика (CRU), и обслуживание при доставке или пересылке по почте силами заказчика.
3. Версия Заявления об ограниченной гарантии: LSOLW-00 05/2005

За гарантийным обслуживанием обращайтесь по телефонам, приведенным ниже. Если в списке нет телефона для вашей страны, посетите сайт <http://www.lenovo.com/think/support/> и щелкните по Support Phone List (Список телефонов поддержки), чтобы просмотреть текущий список телефонов. Приведенные здесь номера телефонов могут измениться без дополнительного уведомления.

البيان الكامل للضمان المحدود متاح في ٢٩ لغة ويمكن مشاهدته من خلال القرص المدمج للمنتج أو على الإنترنت بالموقع <http://www.lenovo.com/think/warranty> أو يمكن الحصول عليه بالاتصال برقم تليفون الخاص ببلدك في كشف التليفونات المعروض بأسفل .

معلومات الضمان التي سيتم تطبيقها على الجهاز الخاص بك:

1. فترة الضمان: سنة
2. نوع خدمة الضمان: ("CRU") Customer Replaceable Unit و Customer Carry-In أو Mail-In Service

3. بيان نسخة الضمان المحدود: LSOLW-00 05/2005

بالنسبة لخدمة الضمان، ارجع الى كشف التليفونات الموجود بأسفل. بالنسبة للبلاد التي لا يتم عرضها، ارجع الى الموقع [www.lenovo.com/think/support/](http://www.lenovo.com/think/support/) واضغط على دعم كشف التليفونات لعرض كشف التليفونات الحالي. أرقام التليفون عرضة للتغيير بدون أي إشعار.

## بإصلاح المعلومات

يمكن 29 لغة الحصول على بيان "الضمان المحدود"، كما يمكن من <http://www.lenovo.com/think/warranty> في الموقع على الإنترنت "الضمان المحدود" أو من خلال الاتصال بالرقم التليفوني الخاص ببلدك للحصول على بيان "الضمان المحدود".

معلومات إصلاح الجهاز:

1. مدة الضمان: ١ سنة
2. نوع خدمة الضمان: يمكن استبدال الأجزاء ("CRU") وإرسال الجهاز لإصلاحه أو إرساله بالبريد
3. "الضمان المحدود" إصدار: LSOLW-00 05/2005

الأسفل مذكور أرقام الهاتف الاستشاري لخدمة الضمان. في البلدان التي لم يتم ذكرها، يرجى زيارة [www.lenovo.com/think/support/](http://www.lenovo.com/think/support/) والنقر على Support Phone List للحصول على قائمة أرقام الهاتف. أرقام الهاتف قابلة للتغيير دون إشعار.

## 保固資訊

完整的有限保固聲明共有 29 個語言版本，您可從 <http://www.lenovo.com/think/warranty> 查閱，或撥打下列的本國電話號碼索取。

您的機器的保固資訊如下：

1. 保固期限：1 年
2. 保固服務類型：客戶可更換裝置 ("CRU") 及客戶親自或郵寄送修服務
3. 有限保證聲明版本：LSOLW-00 05/2005

保固維修服務電話清單如下。若找不到某些國家的服務電話，請造訪 [www.lenovo.com/think/support](http://www.lenovo.com/think/support)，然後按一下 Support Phone List 以查閱目前的電話清單。電話號碼若有變更恕不另行通知。

## 보증 정보

완료된 보증 제한 설명서는 29개 언어로 사용 가능하며, <http://www.lenovo.com/think/warranty>에서 온라인으로 볼 수 있고 아래 나열된 전화번호에서 해당 국가의 번호로 전화를 걸어 얻을 수 있습니다.

사용자 시스템에 적용되는 보증 정보:

1. 보증 기간: 1년
2. 보증 서비스 유형: 고객 교체 가능 유닛(CRU) 및 고객 직접 운송 또는 우편 서비스
3. 보증 제한 설명서 버전: LSOLW-00 05/2005

보증 서비스에 대해서는 아래 나열된 전화번호로 문의하십시오. 아직 목록에 반영되지 않은 국가에서의 서비스를 위해 [www.lenovo.com/think/support](http://www.lenovo.com/think/support)를 방문하여 Support Phone List를 누르면 최신 전화번호 목록을 알 수 있습니다. 전화번호는 사전 통고없이 변경될 수 있습니다.

## 保証情報

完全な「保証の内容と制限」は 29 か国語で提供され、Web サイトの <http://www.lenovo.com/think/warranty> でご覧になれます。または、下記の電話番号リストに記載された電話番号におかけいただいても入手することができます。

ご使用のマシンの保証情報は次のとおりです：

1. 保証期間: 1 年
2. 保証サービスの種類: お客様での取り替え可能部品 (CRU) および持ち込みまたは郵送サービス
3. 保証の内容と制限のバージョン: LSOLW-00 05/2005

保証サービスについては、以下リストにある電話番号にお問い合わせください。リストにない国におけるサービスについては、Web サイト <http://www.lenovo.com/think/support> にアクセスして、「Support Phone List」をクリックして最新の電話番号リストをご覧ください。電話番号は、予告なしに変更される場合があります。

---

## Worldwide telephone list

Phone numbers are subject to change without notice. For the most current phone numbers, go to <http://www.lenovo.com/think/support> and click **Support phone list**.

Country or Region	Telephone Number
Africa	Africa: +44 (0)1475 555 055 South Africa: +27 11 3028888 and 0800110756 Central Africa: Contact the nearest IBM Business Partner
Argentina	0800-666-0011 (Spanish)
Australia	131-426 (English)
Austria	01-24592-5901 01-211-454-610 (German)
Belgium	02-210-9820 (Dutch) 02-210-9800 (French) 02-225-3611 (Dutch, French)
Bolivia	0800-0189 (Spanish)

Country or Region	Telephone Number
Brazil	Sao Paulo region: (11) 3889-8986 Toll free outside Sao Paulo region: 0800-7014-815 (Brazilian Portuguese)
Canada	1-800-565-3344 (English, French) In Toronto only call: 416-383-3344
Chile	800-224-488 (Spanish)
China	800 810 1818 (Mandarin)
China (Hong Kong S.A.R.)	Home PC: 852 2825 7799 Commercial PC: 852 8205 0333 ThinkPad and WorkPad: 852 2825 6580 (Cantonese, English, Putonghua)
Colombia	1-800-912-3021 (Spanish)
Costa Rica	284-3911 (Spanish)
Croatia	0800-0426
Cyprus	+357-22-841100
Czech Republic	+420-2-7213-1316
Denmark	4520-8200 7010-5150 (Danish)
Dominican Republic	566-4755 566-5161 ext. 8201 Toll Free within the Dominican Republic: 1-200-1929 (Spanish)
Ecuador	1-800-426911 (Spanish)
El Salvador	250-5696 (Spanish)
Estonia	+386-61-1796-699
Finland	09-459-6960 +358-800-1-4260 (Finnish)
France	0238-557-450 Hardware 0810-631-213 Software 0810-631-020 (French)
Germany	07032-15-49201 01805-25-35-58 (German)
Greece	+30-210-680-1700
Guatemala	335-8490 (Spanish)
Honduras	Tegucigalpa & San Pedro Sula: 232-4222 San Pedro Sula: 552-2234 (Spanish)
Hungary	+36-1-382-5720
India	1600-44-6666 Alternate Toll Free: +91-80-2678-8940 (English)

Country or Region	Telephone Number
Indonesia	800-140-3555 +62-21-251-2955 (Bahasa, Indonesian, English)
Ireland	01-815-9202 01-881-1444 (English)
Italy	02-7031-6101 +39-800-820094 (Italian)
Japan	<p>Desktop: Toll free: 0120-887-870 For International: +81-46-266-4724</p> <p>ThinkPad: Toll free: 0120-887-874 For International: +81-46-266-4724</p> <p>Both of the above numbers will be answered with a Japanese language voice prompt. For telephone support in English, please wait for the Japanese voice prompt to end, and an operator will answer. Please ask for "English support please," and your call will be transferred to an English speaking operator.</p> <p>PC Software: 0120-558-695 Overseas calls: +81-44-200-8666 (Japanese)</p>
Korea	1588-5801 (Korean)
Latvia	+386-61-1796-699
Lithuania	+386-61-1796-699
Luxembourg	+352-298-977-5063 (French)
Malaysia	1800-88-8558 (English)
Malta	+356-23-4175
Mexico	001-866-434-2080 (Spanish)
Middle East	+44 (0)1475-555-055
Netherlands	+31-20-514-5770 (Dutch)
New Zealand	0800-446-149 (English)
Nicaragua	255-6658 (Spanish)
Norway	6681-1100 8152-1550 (Norwegian)
Panama	206-6047 (Spanish)
Peru	0-800-50-866 (Spanish)

Country or Region	Telephone Number
Philippines	1800-1888-1426 (English) +63-2-995-8420 (Philipino)
Poland	+48-22-878-6999
Portugal	+351-21-892-7147 (Portuguese)
Romania	+4-021-224-4015
Russian Federation	+7-095-940-2000 (Russian)
Singapore	1800-3172-888 (English, Bahasa, Melayu)
Slovakia	+421-2-4954-1217
Slovenia	+386-1-4796-699
Spain	91-714-7983 91-397-6503 (Spanish)
Sri Lanka	+94-11-2448-442 (English)
Sweden	08-477-4420 077-117-1040 (Swedish)
Switzerland	058-333-0900 0800-55-54-54 (German, French, Italian)
Taiwan	886-2-8723-9799 (Mandarin)
Thailand	1-800-299-229 (Thai)
Turkey	00800-4463-2041 (Turkish)
United Kingdom	01475-555-055 Hardware 08705-500-900 Software 08457-151-516 (English)
United States	1-800-426-7378 (English)
Uruguay	000-411-005-6649 (Spanish)
Venezuela	0-800-100-2011 (Spanish)
Vietnam	For northern area and Hanoi: 84-4-843-6675 For southern area and Ho Chi Minh City: 84-8-829-5160 (English, Vietnamese)

---

## Guarantee supplement for Mexico

This supplement is considered part of Lenovo's Statement of Limited Warranty and shall be effective solely and exclusively for products distributed and commercialized within Territory of the Mexican United States. In the event of a conflict, the terms of this supplement shall apply.

All software programs pre-loaded in the equipment shall only have a thirty-(30) day guarantee for installation defects from the date of purchase. Lenovo is



not responsible for the information in such software programs and/or any additional software programs installed by you or installed after purchase of the product.

Services not chargeable to the guarantee shall be charged to the final user, prior an authorization.

In the event that warranty repair is required please call the Customer Support Center at 001-866-434-2080, where you will be directed to the nearest Authorized Service Center. Should no Authorized Service Center exist in your city, location or within 70 kilometers of your city or location, the guarantee includes any reasonable delivery charges related to the transportation of the product to our nearest Authorized Service Center. Please call the nearest Authorized Service Center to obtain the necessary approvals or information concerning the shipment of the product and the shipment address.

To obtain a list of Authorized Service Centers, please visit:

<http://www.lenovo.com/think/support/site.wss/document.do?lndocid=MIGR-44986&sitestyle=lenovo>

**Manufactured by:**

**SCI Systems de México, S.A. de C.V.**  
**Av. De la Solidaridad Iberoamericana No. 7020**  
**Col. Club de Golf Atlas**  
**El Salto, Jalisco, México**  
**C.P. 45680,**  
**Tel. 01-800-3676900**

**Marketing by:**

**Lenovo de México, Comercialización y**  
**Servicios, S. A. de C. V.**  
**Alfonso Nápoles Gándara No 3111**  
**Parque Corporativo de Peña Blanca**  
**Delegación Álvaro Obregón**  
**México, D.F., México**  
**C.P. 01210,**  
**Tel. 01-800-00-325-00**



---

## Appendix C. Notices

Lenovo may not offer the products, services, or features discussed in this document in all countries. Consult your local Lenovo representative for information on the products and services currently available in your area. Any reference to a Lenovo product, program, or service is not intended to state or imply that only that Lenovo product, program, or service may be used. Any functionally equivalent product, program, or service that does not infringe any Lenovo intellectual property right may be used instead. However, it is the user's responsibility to evaluate and verify the operation of any other product, program, or service.

Lenovo may have patents or pending patent applications covering subject matter described in this document. The furnishing of this document does not give you any license to these patents. You can send license inquiries, in writing, to:

*Lenovo (United States), Inc.  
500 Park Offices Drive, Hwy. 54  
Research Triangle Park, NC 27709  
U.S.A.  
Attention: Lenovo Director of Licensing*

LENOVO GROUP LTD. PROVIDES THIS PUBLICATION "AS IS" WITHOUT WARRANTY OF ANY KIND, EITHER EXPRESS OR IMPLIED, INCLUDING, BUT NOT LIMITED TO, THE IMPLIED WARRANTIES OF NON-INFRINGEMENT, MERCHANTABILITY OR FITNESS FOR A PARTICULAR PURPOSE. Some jurisdictions do not allow disclaimer of express or implied warranties in certain transactions, therefore, this statement may not apply to you.

This information could include technical inaccuracies or typographical errors. Changes are periodically made to the information herein; these changes will be incorporated in new editions of the publication. Lenovo may make improvements and/or changes in the product(s) and/or the program(s) described in this publication at any time without notice.

The products described in this document are not intended for use in implantation or other life support applications where malfunction may result in injury or death to persons. The information contained in this document does not affect or change Lenovo product specifications or warranties. Nothing in this document shall operate as an express or implied license or indemnity under the intellectual property rights of Lenovo or third parties. All

information contained in this document was obtained in specific environments and is presented as an illustration. The result obtained in other operating environments may vary.

Lenovo may use or distribute any of the information you supply in any way it believes appropriate without incurring any obligation to you.

Any references in this publication to non-Lenovo Web sites are provided for convenience only and do not in any manner serve as an endorsement of those Web sites. The materials at those Web sites are not part of the materials for this Lenovo product, and use of those Web sites is at your own risk.

Any performance data contained herein was determined in a controlled environment. Therefore, the result obtained in other operating environments may vary significantly. Some measurements may have been made on development-level systems and there is no guarantee that these measurements will be the same on generally available systems. Furthermore, some measurements may have been estimated through extrapolation. Actual results may vary. Users of this document should verify the applicable data for their specific environment.

---

## Important information for the European Directive 2002/96/EC



**EU Only**

The WEEE mark applies only to countries within the European Union (EU) and Norway. Appliances are labeled in accordance with European Directive 2002/96/EC concerning waste electrical and electronic equipment (WEEE). The Directive determines the framework for the return and recycling of used appliances as applicable throughout the European Union. This label is applied to various products to indicate that the product is not to be thrown away, but rather reclaimed upon end of life per this Directive. Users of electrical and electronic equipment (EEE) with the WEEE marking per Annex IV of the WEEE Directive must not dispose of end of life EEE as unsorted municipal waste, but use the collection framework available to them for the return, recycle, recovery of WEEE and minimize any potential effects of EEE on the environment and human health due to the presence of hazardous substances. For additional WEEE information go to:  
<http://www.lenovo.com/lenovo/environment>.

Ce marquage s'applique uniquement aux pays de l'Union européenne (EU) et à la Norvège. Les appareils sont marqués conformément à la Directive 2002/96/CE du Conseil Européen relative aux déchets d'équipements électriques et électroniques (DEEE). Cette directive, applicable à l'ensemble des pays de l'Union européenne, concerne la collecte et le recyclage des appareils usagés. Ce marquage est apposé sur différents produits pour indiquer que ces derniers ne doivent pas être jetés, mais récupérés en fin de vie, conformément à cette directive. Les utilisateurs d'équipements électriques et électroniques portant le marquage DEEE, conformément à l'Annexe IV de la Directive DEEE, ne doivent pas mettre au rebut ces équipements comme des déchets municipaux non triés, mais ils doivent utiliser la structure de collecte mise à disposition des clients pour le retour, le recyclage et la récupération des déchets d'équipements électriques et électroniques, afin de réduire tout effet potentiel des équipements électriques et électroniques sur l'environnement et la

santé en raison de la présence possible de substances dangereuses dans ces équipements. Pour plus d'informations sur les équipements électriques et électroniques, consultez le site <http://www.lenovo.com/lenovo/environment>.

Die WEEE-Kennzeichnung gilt nur in Ländern der Europäischen Union und in Norwegen. Geräte werden gemäß der Richtlinie 2002/96/EC der Europäischen Union über Elektro- und Elektronikaltgeräte (WEEE) gekennzeichnet. Die Richtlinie regelt die Rückgabe und Wiederverwertung von Altgeräten innerhalb der Europäischen Union. Mit dieser Kennzeichnung versehene Altgeräte dürfen gemäß dieser Richtlinie nicht weggeworfen werden, sondern müssen zurückgegeben werden. Anwender von Elektro- und Elektronikgeräten mit der WEEE-Kennzeichnung dürfen diese gemäß Annex IV der WEEE-Richtlinie nach ihrem Gebrauch nicht als allgemeinen Hausmüll entsorgen. Stattdessen müssen diese Geräte im verfügbaren Sammelsystem zurückgegeben werden und damit einem Recycling- oder Wiederherstellungsprozess zugeführt werden, bei dem mögliche Auswirkungen der Geräte auf die Umwelt und den menschlichen Organismus aufgrund gefährlicher Substanzen minimiert werden. Weitere Informationen zur Entsorgung von Elektro- und Elektronikaltgeräten finden Sie unter der Adresse: <http://www.lenovo.com/lenovo/environment>.

La marca WEEE se aplica sólo a los países pertenecientes a la Unión Europea (UE) y a Noruega. Los aparatos se etiquetan conforme a la Directiva Europea 2002/96/EC relativa a los residuos de equipos eléctricos y electrónicos (WEEE). La directiva determina el marco para devolver y reciclar los aparatos usados según sea aplicable en toda la Unión Europea. Esta etiqueta se aplica a varios productos para indicar que el producto no se va a desechar, sino que va ser reclamado por esta Directiva, una vez termine su ciclo de vida. Los usuarios de los equipos eléctricos y electrónicos (EEE) con la marca WEEE por el Anexo IV de la Directiva WEEE no deben tratar los EEE como desperdicios municipales no clasificados, una vez terminado su ciclo de vida, sino que deben utilizar el marco de recogida disponible para devolver, reciclar y recuperar los WEEE y minimizar los posibles efectos de los EEE en el medio ambiente y en la salud debidos a la presencia de sustancias peligrosas. Para obtener información adicional acerca de WEEE consulte el sitio: <http://www.lenovo.com/lenovo/environment>.

Le informazioni su WEEE si applicano solo ai paesi dell'Unione Europea (UE) e alla Norvegia. Gli apparecchi vengono etichettati in base alla Direttiva europea 2002/96/EC relativa a WEEE (waste electrical and electronic equipment). La direttiva stabilisce la struttura per la restituzione ed il riciclaggio degli apparecchi utilizzati applicabile in tutte l'Unione Europea. Questa etichetta si applica a diversi prodotti al fine di indicare che tali prodotti non devono essere eliminati ma riciclati al termine del loro ciclo di utilizzo. Gli utenti EEE (electrical and electronic equipment) con contrassegno WEEE per Annex IV della direttiva WEEE non devono smaltire l'EEE come rifiuto municipale non ordinato, ma utilizzare la struttura di raccolta disponibile per

la restituzione, il riciclo ed il recupero di WEEE e ridurre i potenziali effetti dell'EEE sull'ambiente e sulle persone a causa della presenza di sostanze nocive. Per ulteriori informazioni su WEEE, andare all'indirizzo:  
<http://www.lenovo.com/lenovo/environment>.

A marca REEE (Resíduos de Equipamentos Eléctricos e Electrónicos) aplica-se apenas aos Estados-Membros da União Europeia (UE) e à Noruega. Os aparelhos eléctricos deverão ser identificados em conformidade com a Directiva Europeia 2002/96/CE relativa a REEE (Resíduos de Equipamentos Eléctricos e Electrónicos). A Directiva determina o enquadramento normativo relativamente à devolução e reciclagem de aparelhos eléctricos utilizados, conforme aplicável no espaço da União Europeia. Esta etiqueta deverá ser aposta em diversos produtos para indicar que os mesmos não poderão ser deitados fora mas sim recuperados no final da respectiva vida útil, de acordo com a referida Directiva. Os utilizadores de equipamentos eléctricos e electrónicos (EEE) com a marca REEE em conformidade com o Anexo IV da Directiva REEE não poderão deitar fora os EEE no final da respectiva vida útil como lixo municipal não separado, devendo antes utilizar a estrutura de recolha que lhes tenha sido disponibilizada para efeitos de devolução, reciclagem e recuperação de REEE, por forma a minimizar potenciais efeitos dos EEE sobre o ambiente e saúde pública resultantes da presença de substâncias perigosas. Para mais informações sobre REEE (Resíduos de Equipamento Eléctrico e Electrónico), visite:  
<http://www.lenovo.com/lenovo/environment>.

Het WEEE-merkteken geldt alleen voor landen binnen de Europese Unie (EU) en Noorwegen. Apparaten worden van een merkteken voorzien overeenkomstig Europese Richtlijn 2002/96/EC inzake afgedankte elektrische en elektronische apparatuur (waste electrical and electronic equipment, WEEE). Deze richtlijn bepaalt het raamwerk voor het retourneren en recyclen van gebruikte apparatuur, zoals van toepassing binnen de Europese Unie. Dit merkteken wordt aangebracht op diverse producten om aan te geven dat het product in kwestie niet dient te worden weggegooid, maar dat het aan het eind van de levenscyclus krachtens deze Richtlijn dient te worden geretourneerd. Gebruikers van elektrische en elektronische apparaten (EEE) welke zijn voorzien van het WEEE-merkteken zijn gehouden aan Annex IV van de WEEE Richtlijn en mogen gebruikte EEE niet weggooiden als ongesorteerd afval, maar dienen gebruik te maken van het inzamelproces voor het teruggeven, recyclen en terugwinnen van WEEE dat voor hen beschikbaar is, en dienen de mogelijke effecten die EEE ten gevolge van de aanwezigheid van schadelijke stoffen kunnen hebben op het milieu en de volksgezondheid, tot een minimum te beperken. Voor meer informatie over WEEE gaat u naar:  
<http://www.lenovo.com/lenovo/environment>.

WEEE-mærkningen gælder kun for lande i EU samt Norge. Udstyr er mærket i henhold til Direktiv 2002/96/EC om affald af elektrisk og elektronisk udstyr (WEEE). Direktivet regulerer rammerne for returnering og genbrug af brugt

udstyr i EU. Dette mærke sættes på forskellige produkter for at angive, at produktet ifølge direktivet ikke må smides bort, men skal genbruges eller genindvindes. Brugere af elektrisk og elektronisk udstyr (EEE), som er mærket i henhold til Bilag IV i WEEE-direktivet, må ikke bortskaffe EEE sammen med usorteret husholdningsaffald, men benytte de returnerings- og indsamlingsordninger, der står til rådighed for dem med henblik på genbrug, genvinding og andre former for nyttiggørelse samt minimering af de potentielle virkninger for miljøet og menneskers sundhed af tilstedeværelsen af farlige stoffer. Der er flere oplysninger om WEEE på adressen <http://www.lenovo.com/lenovo/environment>.

Sähkö- ja elektroniikkalaiteromu (Waste electrical and electronic equipment, WEEE)-merkintä koskee vain Euroopan unionin (EU) jäsenmaita ja Norjaa. Sähkö- ja elektroniikkalaitteet merkitään Euroopan parlamentin ja neuvoston direktiivin 2002/96/EY mukaisesti. Kyseinen direktiivi määrittää Euroopan Unionin alueella käytössä olevat palautus- ja kierrätyskäytännöt. WEEE-merkintä laitteessa osoittaa, että direktiivin ohjeiden mukaan tuotetta ei tulisi hävittää sen elinkaaren päässä, vaan sen sijaan se on kierrätettävä. Käyttäjien, joiden sähkö- ja elektroniikkalaitteissa on tämä sähkö- ja elektroniikkalaiteromun direktiivin liitteen IV mukainen merkintä, tulee kierrättää kyseiset laitteet käytettävissä olevien resurssien mukaan, varmistaen sen, että niistä tai niissä käytetyistä materiaaleista ei aiheudu haittaa ympäristölle tai ihmisten terveydelle. Sähkö- ja elektroniikkalaitteita ei saa hävittää sekajätteen mukana. Lisätietoa sähkö- ja elektroniikkalaiteromun kierrättämisestä on WWW-sivustossa <http://www.lenovo.com/lenovo/environment>.

WEEE-merket gjelder bare for land i Den europeiske union (EU) og Norge. Utstyr merkes i henhold til EU-direktiv 2002/96/EF om avfall fra elektrisk og elektronisk utstyr (WEEE). Direktivet fastsetter rammene for retur og resirkulering av brukt utstyr innenfor EU. Dette merket benyttes på forskjellige produkter for å angi at produktet ikke må kastes, men må behandles i henhold til dette direktivet ved slutten av produktets levetid. Brukere av elektrisk og elektronisk utstyr (EEE) som er merket med WEEE-merket ifølge vedlegg IV i WEEE-direktivet, må ikke kaste utstyret som usortert husholdningsavfall, men må bruke de tilgjengelige innsamlingssystemene for retur, resirkulering og gjenvinning av kassert elektrisk og elektronisk utstyr for å redusere en eventuell skadelig virkning av elektrisk og elektronisk utstyr på miljø og helse, som skyldes skadelige stoffer. Du finner mer informasjon om WEEE på denne adressen: <http://www.lenovo.com/lenovo/environment>.

WEEE-märkningen är tillämplig enbart i EU-länderna och Norge. Apparater märks i enlighet med EU-direktiv 2002/96/EG om avfall som utgörs av eller innehåller elektriska eller elektroniska produkter (WEEE). I direktivet fastställs det ramverk för återlämnande och materialåtervinning av uttjänta apparater som gäller inom hela Europeiska unionen. Etiketten sätts fast på produkter av olika slag för att ange att produkten inte får kastas, utan måste återtans i slutet



av produktcykeln i enlighet med direktivet. Användare av elektrisk och elektronisk utrustning med WEEE-märkning enligt bilaga IV till WEEE-direktivet får inte kassera sin uttjänta elektriska eller elektroniska utrustning som osorterat kommunalt avfall, utan måste utnyttja det tillgängliga insamlingsnätverket för återlämnande och återvinning av utrustningen och därigenom minimera riskerna för miljö och människans hälsa av utrustningens innehåll av farliga ämnen. Mer WEEE-information finns på adressen: <http://www.lenovo.com/lenovo/environment>.

Značka WEEE se týká pouze země Evropské Unie (EU) a Norska. Zařízení jsou označena v souladu s evropskou směrnicí 2002/96/EC, která se týká likvidace starých elektrických a elektronických zařízení (WEEE). Směrnice určuje pravidla pro vrácení a recyklaci použitých zařízení, která jsou platná v Evropské Unii. Tímto štítkem se označují různá zařízení. Označuje, že produkt nesmí být vyhozen do běžného odpadu, ale po skončení životnosti vrácen podle této směrnice. Uživatelé takovýchto zařízení označených značkou WEEE podle dodatku IV směrnice WEEE nesmí na konci životnosti vyhodit zařízení jako netříděný odpad, ale musí použít dostupnou sběrnou síť, aby bylo zařízení recyklováno a aby byly minimalizovány možné dopady zařízení na prostředí a zdraví lidí (zařízení může obsahovat nebezpečné látky). Další informace o značce WEEE naleznete na webové stránce: <http://www.lenovo.com/lenovo/environment>.

Το σήμα WEEE χρησιμοποιείται μόνο σε χώρες τις Ευρωπαϊκής Ένωσης και στη Νορβηγία. Στις συσκευές τοποθετούνται ετικέτες που αφορούν την απόρριψη ηλεκτρικών και ηλεκτρονικών εξαρτημάτων σύμφωνα με την Ευρωπαϊκή Οδηγία 2002/96/EC. Η Οδηγία αυτή καθορίζει το πλαίσιο για την επιστροφή και την ανακύκλωση χρησιμοποιημένων συσκευών που ισχύει σε όλη την Ευρωπαϊκή Ένωση. Η ετικέτα τοποθετείται σε διάφορα προϊόντα για να υποδείξει ότι μετά το μόνιμο τερματισμό της χρήσης του το προϊόν, σύμφωνα με την Οδηγία, πρέπει να ανακυκλωθεί και όχι να απορριφθεί. Οι χρήστες ηλεκτρικών και ηλεκτρονικών εξαρτημάτων (electrical and electronic equipment - EEE) που φέρουν το σήμα WEEE σύμφωνα με το Παράρτημα IV της εν λόγω Οδηγίας, δεν πρέπει να απορρίπτουν τα εξαρτήματα αλλά να χρησιμοποιούν το διαθέσιμο πλαίσιο συλλογής για την επιστροφή, ανακύκλωση και ανάκτηση των εξαρτημάτων με σκοπό την ελαχιστοποίηση δυνητικών επιρροών στο περιβάλλον και την ανθρωπινή υγεία εξαιτίας της παρουσίας επικίνδυνων ουσιών στα εξαρτήματα αυτά.

Για περισσότερες πληροφορίες σχετικά με τις κατάλληλες ενέργειες συλλογής και κατεργασίας ηλεκτρικών και ηλεκτρονικών συσκευών και εξαρτημάτων, επισκεφθείτε την ιστοσελίδα: <http://www.lenovo.com/lenovo/environment>.

A WEEE jelzés csak az EU tagállamaira és Norvégiára vonatkozik. A berendezések a leselejtezett elektromos és elektronikus berendezésekre (WEEE) vonatkozó 2002/96/EC számú EU direktívának való megfelelést tanúsító címkével vannak ellátva. A direktíva a használt berendezések visszavételének és újrahasznosításának keretrendszerét határozza meg az Európai Unión belül. A különböző termékeken látható címke azt jelenti, hogy a terméket az élettartamának végén nem szabad kidobni, hanem a direktívának megfelelően kell visszanyerni. A WEEE jelzésű elektromos és elektronikai felszerelések (EEE) felhasználóinak, a WEEE direktíva IV. függelékének megfelelően nem szabad vegyes házi szemétként kidobniuk az eszközöket (EEE), hanem a vásárlók számára rendelkezésre álló, meglévő begyűjtési keretrendszer felhasználva kell gondoskodniuk az elektromos hulladék (WEEE) visszajuttatásáról és újrahasznosításáról, valamint minimalizálniuk kell az eszközök (EEE) lehetséges hatásait a környezetre és az emberi egészségre, a veszélyek megelőzése érdekében.

További WEEE információk:  
[Http://www.lenovo.com/lenovo/environment](http://www.lenovo.com/lenovo/environment)

WEEE マークは EU 諸国とノルウェーにのみ適用されます。この機器には、EU 諸国に対する廃電気電子機器指令 2002/96/EC (WEEE) のラベルが貼られています。この指令は、EU 諸国に適用する使用済み機器の回収とリサイクルの骨子を定めています。このラベルは、使用済みになった時に指令に従って適正な処理をする必要があることを知らせるために種々の製品に貼られています。

WEEE 指令の付則 (Annex) IV 規則によりマークされた電気/電子機器 (EEE) の使用者は、使用済みの電気・電子機器を地方自治体の無分別ゴミとして廃棄することは許されず、機器に含まれる有害物質が環境や人体へ与える悪影響を最小に抑えるためにお客様が利用可能な廃電気・電子機器の返却、リサイクル、あるいは再生のための回収方法を利用しなければなりません。WEEE の詳細については、次の Web サイトを参照してください。 [Http://www.lenovo.com/lenovo/environment](http://www.lenovo.com/lenovo/environment)

---

## Appendix D. Electronic Emissions notices

The following information refers to the ThinkPad Advanced Mini Dock and ThinkPad Essential Port Replicator.

---

### Federal Communications Commission (FCC) Declaration of Conformity

This equipment has been tested and found to comply with the limits for a Class B digital device, pursuant to Part 15 of the FCC Rules. These limits are designed to provide reasonable protection against harmful interference in a residential installation. This equipment generates, uses, and can radiate radio frequency energy and, if not installed and used in accordance with the instructions, may cause harmful interference to radio communications. However, there is no guarantee the interference will not occur in a particular installation. If this equipment does cause harmful interference to radio or television reception, which can be determined by turning the equipment off and on, the user is encouraged to try to correct the interference by one or more of the following measures:

- Reorient or relocate the receiving antenna.
- Increase the separation between the equipment and receiver.
- Connect the equipment into an outlet on a circuit different from that to which the receiver is connected.
- Consult an authorized dealer or service representative for help.

Lenovo is not responsible for any radio or television interference caused by using other than recommended cables or connectors or by unauthorized changes or modifications to this equipment. Unauthorized changes or modifications could void the user's authority to operate the equipment.

This device complies with Part 15 of the FCC Rules. Operation is subject to the following two conditions: (1) this device may not cause harmful interference, and (2) this device must accept any interference received, including interference that may cause undesired operation.

Responsible party:

Lenovo (United States) Inc.  
One Manhattanville Road  
Purchase, New York 10577  
Telephone: (919) 254-0532



Tested To Comply  
With FCC Standards

FOR HOME OR OFFICE USE

### **Industry Canada Class B emission compliance statement**

This Class B digital apparatus complies with Canadian ICES-003.

### **Avis de conformité à la réglementation d'Industrie Canada**

Cet appareil numérique de la classe B est conforme à la norme NMB-003 du Canada.

### **EU-EMC Directive (89/336/EG) EN 55022 class B Statement of Compliance**

#### **Deutschsprachiger EU Hinweis:**

**Hinweis für Geräte der Klasse B EU-Richtlinie zur Elektromagnetischen Verträglichkeit** Dieses Produkt entspricht den Schutzanforderungen der EU-Richtlinie 89/336/EWG zur Angleichung der Rechtsvorschriften über die elektromagnetische Verträglichkeit in den EU-Mitgliedsstaaten.

und hält die Grenzwerte der EN 55022 Klasse B ein.

Um dieses sicherzustellen, sind die Geräte wie in den Handbüchern beschrieben zu installieren und zu betreiben. Des Weiteren dürfen auch nur von der Lenovo empfohlene Kabel angeschlossen werden. Lenovo übernimmt keine Verantwortung für die Einhaltung der Schutzanforderungen, wenn das Produkt ohne Zustimmung der Lenovo verändert bzw. wenn Erweiterungskomponenten von Fremdherstellern ohne Empfehlung der Lenovo gesteckt/eingebaut werden.

**Deutschland: Einhaltung des Gesetzes über die elektromagnetische Verträglichkeit von Geräten** Dieses Produkt entspricht dem "Gesetz über die elektromagnetische Verträglichkeit von Geräten (EMVG)". Dies ist die Umsetzung der EU-Richtlinie 89/336/EWG in der Bundesrepublik Deutschland.

**Zulassungsbescheinigung laut dem Deutschen Gesetz über die elektromagnetische Verträglichkeit von Geräten (EMVG) vom 18. September 1998 (bzw. der EMC EG Richtlinie 89/336) für Geräte der Klasse B** Dieses Gerät ist berechtigt, in Übereinstimmung mit dem Deutschen EMVG das EG-Konformitätszeichen - CE - zu führen.

Verantwortlich für die Konformitätserklärung nach Paragraf 5 des EMVG ist die Lenovo (Deutschland) GmbH, Pascalstr. 100, D-70569 Stuttgart. Informationen in Hinsicht EMVG Paragraf 4 Abs. (1) 4:

**Das Gerät erfüllt die Schutzanforderungen nach EN 55024 und EN 55022 Klasse B.)**

### **European Union - Compliance to the Electromagnetic Compatibility Directive**

This product is in conformity with the protection requirements of EU Council Directive 89/336/ECC on the approximation of the laws of the Member States relating to electromagnetic compatibility. Lenovo cannot accept responsibility for any failure to satisfy the protection requirements resulting from a non-recommended modification of the product, including the fitting of non-Lenovo option cards.

This product has been tested and found to comply with the limits for Class B Information Technology Equipment according to European Standard EN 55022. The limits for Class B equipment were derived for typical residential environments to provide reasonable protection against interference with licensed communication devices.

### **Avis de conformité à la directive de l'Union Européenne**

Le présent produit satisfait aux exigences de protection énoncées dans la directive 89/336/CEE du Conseil concernant le rapprochement des législations des Etats membres relatives à la compatibilité électromagnétique. Lenovo décline toute responsabilité en cas de non-respect de cette directive résultant d'une modification non recommandée du produit, y compris l'ajout de cartes en option non Lenovo.

Ce produit respecte les limites des caractéristiques d'immunité des appareils de traitement de l'information définies par la classe B de la norme européenne EN 55022 (CISPR 22). La conformité aux spécifications de la classe B offre une garantie acceptable contre les perturbations avec les appareils de communication agréés, dans les zones résidentielles.

### **Unione Europea - Directiva EMC (Conformidad electromagnética)**

Este producto satisface los requisitos de protección del Consejo de la UE, Directiva 89/336/CEE en lo que a la legislatura de los Estados Miembros sobre compatibilidad electromagnética se refiere.

Lenovo no puede aceptar responsabilidad alguna si este producto deja de satisfacer dichos requisitos de protección como resultado de una modificación no recomendada del producto, incluyendo el ajuste de tarjetas de opción que no sean Lenovo.

Este producto ha sido probado y satisface los límites para Equipos Informáticos Clase B de conformidad con el Estándar Europeo EN 55022. Los límites para los equipos de Clase B se han establecido para entornos residenciales típicos a fin de proporcionar una protección razonable contra las interferencias con dispositivos de comunicación licenciados.

### **Union Europea - Normativa EMC**

Questo prodotto è conforme alle normative di protezione ai sensi della Direttiva del Consiglio dell'Unione Europea 89/336/CEE sull'armonizzazione legislativa degli stati membri in materia di compatibilità elettromagnetica.

Lenovo non accetta responsabilità alcuna per la mancata conformità alle normative di protezione dovuta a modifiche non consigliate al prodotto, compresa l'installazione di schede e componenti di marca diversa da Lenovo.

Le prove effettuate sul presente prodotto hanno accertato che esso rientra nei limiti stabiliti per le apparecchiature di informatica Classe B ai sensi della Norma Europea EN 55022. I limiti delle apparecchiature della Classe B sono stati stabiliti al fine di fornire ragionevole protezione da interferenze mediante dispositivi di comunicazione in concessione in ambienti residenziali tipici.

### **Korea Class B Compliance**

이 기기는 가정용으로 전자파 적합등록을 한 기기로서  
주거지역에서는 물론 모든 지역에서 사용할 수 있습니다.

### **Japan VCCI Class B Compliance**

この装置は、情報処理装置等電波障害自主規制協議会（VCCI）の基準に基づきクラスB情報技術装置です。この装置は、家庭環境で使用することを目的としていますが、この装置がラジオやテレビジョン受信機に近接して使用されると、受信障害を引き起こすことがあります。  
取扱説明書に従って正しい取り扱いをして下さい。

Japanese statement of compliance for products less than or equal to 20 A per phase

## 高調波ガイドライン適合品





---

## Appendix E. Trademarks

The following terms are trademarks of Lenovo in the United States, other countries, or both:

- Lenovo
- ThinkCentre
- ThinkPad
- ThinkVantage
- Ultrabay

IBM is a trademark of International Business Machines Corporation in the United States, other countries, or both, and is used under license.

Other company, product, or service names may be trademarks or service marks of others.





# ThinkPad

Part Number: 39T2395

Printed in China

(1P) P/N: 39T2395

