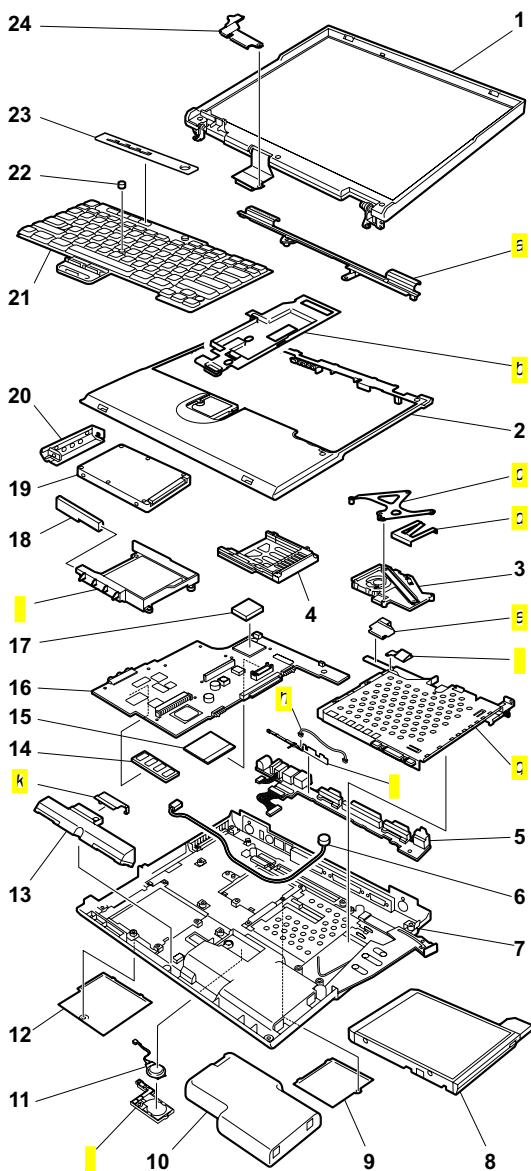


Overall

For T20, T21 and T22



- Each FRU is available for all types or models, unless specific types or models are given.
- The FRUs marked with one asterisk are CRU (customer replaceable unit).
- The FRUs marked with **OP** are also available as optional FRU.

| No. | FRU | P/N |
|----------|--|---------|
| ⌘ | See "Miscellaneous parts" on page 161. | |
| 1 | LCD unit (see "LCD FRUs" on page 154) | |
| 2 | Keyboard bezel for T20 | 08K6088 |
| | for Korea | 08K6765 |
| | Keyboard bezel for T21 | 04P3451 |
| | for Korea | 04P3694 |
| | Keyboard bezel for T22 | 26P9265 |
| | for Korea | 26P9311 |
| 3 | Fan assembly for T20 | 08K6396 |
| | Fan assembly for T21 | 04P3448 |
| | Fan assembly for T22 G | 08K7268 |
| | Fan assembly for T22 H, I | 26P9317 |
| 4 | PC Card slots for T20 | 08K6083 |
| | PC Card slots for T21, T22 | 08K7064 |
| 5 | I/O card | 26P8023 |
| 6 | Microphone cable assembly | 27L0520 |
| 7 | Base cover for A, B | 08K6079 |
| | for T-China | 08K6346 |
| | for Korea | 08K6350 |
| | Base cover for C | 08K6369 |
| | for T-China | 08K6370 |
| | for Korea | 08K6372 |
| | Base cover for D, E | 04P3444 |
| | for Korea | 04P3446 |
| | Base cover for F | 04P3445 |
| | for Korea | 04P3447 |
| | Base cover for G | 26P9291 |
| | for Korea | 26P9309 |
| | Base cover for H | 08K7362 |
| | for Korea | 26P9174 |

(continued)

| No. | FRU | P/N |
|-----|--|---------|
| 7 | Base cover for / | 26P9173 |
| | for Korea | 26P9175 |
| 8 | Ultrabay 2000 diskette drive (TEAC)* OP | 08K9606 |
| | Ultrabay 2000 diskette drive (SONY)* OP | 08K9607 |
| | Ultrabay 2000 CD-ROM drive (LG) * for T20 series OP | 05K9159 |
| | Ultrabay 2000 DVD drive 6x (MKE)* for T20 series OP | 05K9188 |
| | Ultrabay 2000 CD-ROM drive (LG) * for T21 series OP | 08K9579 |
| | Ultrabay 2000 DVD drive 8x (MKE)* for T21, T22 series OP | 27L3447 |
| | Ultrabay 2000 CD-ROM drive (LG) (low power)* for T22 series OP | 08K9545 |
| | for other optional Ultrabay 2000 devices, see "Optional FRUs" on page 167. | |
| 9 | Cover, DIMM slot* | 08K6090 |
| 10 | Battery pack, Panasonic OP | 02K6626 |
| | Battery pack, SANYO OP | 02K6627 |
| 11 | Backup battery | 02K6572 |
| 12 | Cover, Mini PCI adapter slot* | 08K6091 |
| 13 | Speaker assembly | 08K6089 |
| 14 | 64-MB SDRAM SO DIMM (PC100) OP | 20L0264 |
| | 128-MB SDRAM SO DIMM (PC100) OP | 20L0265 |
| | for other optional DIMM, see "Optional FRUs" on page 167. | |
| 15 | Mini PCI modem card for T20 series* OP | 08K3429 |
| | Mini PCI modem card (Ambit) for T20, T21 series* OP | 08K3252 |
| | Mini PCI modem card (Hoshi CR) for T21 series* | 08K3338 |
| | Mini PCI modem card (Ambit) for T22 series* | 08K4853 |
| | Mini PCI combo card for T20, T21 series* OP | 08K3125 |
| | Mini PCI combo card (3Com) for T20 series* OP | 00N8117 |
| | Mini PCI combo card (Intel CR) for T21 series* OP | 06P3829 |
| | Mini PCI combo card (Intel) for T21 series* OP | 19K5888 |
| | Mini PCI combo card (Intel) for T22 series* OP | 06P3809 |

(continued)

| No. | FRU | P/N |
|-----|---|---------|
| 15 | Mini PCI combo card (3Com) for T22 series* OP | 22P6753 |
| | Mini PCI Ethernet card for T20 series* OP | 10L1423 |
| 16 | System board | |
| | for A, C | 12P3360 |
| | for B | 12P3363 |
| | for D, F | 12P3366 |
| | for E | 12P3369 |
| | for G | 26P8096 |
| | for H, I | 26P8098 |
| 17 | CPU, Pentium III 650 MHz | 10L1405 |
| | CPU, Pentium III 700 MHz | 10L1417 |
| | CPU, Pentium III 750 MHz | 08K3191 |
| | CPU, Pentium III 800 MHz | 08K3246 |
| | CPU, Pentium III 850 MHz | 08K3248 |
| | CPU, Pentium III 900 MHz | 08K3346 |
| | CPU, Pentium III 1 GHz | 08K3392 |
| 18 | Asset ID RF adapter (see "Optional FRUs" on page 167) | |
| 19 | Hard-disk drive (6.0 GB), STD OP | 05K9227 |
| | Hard-disk drive (6.0 GB), Hitachi OP | 05K9228 |
| | Hard-disk drive (10.0 GB), STD OP | 08K9508 |
| | Hard-disk drive (10.0 GB), Hitachi OP | 08K9531 |
| | Hard-disk drive (12.0 GB), STD OP | 05K9229 |
| | Hard-disk drive (12.0 GB), Hitachi OP | 05K9230 |
| | Hard-disk drive (18.0 GB), STD OP | 05K9231 |
| | Hard-disk drive (20.0 GB), STD OP | 27L4075 |
| | Hard-disk drive (20.0 GB), Hitachi OP | 08K9533 |
| | Hard-disk drive (32.0 GB), STD OP | 08K9509 |
| 20 | Cover, hard-disk drive* for T20 | 08K6092 |
| | Cover, hard-disk drive* for T21, T22 | 04P3496 |
| 21 | Keyboard* (see "Keyboard" on page 156) | |
| 22 | Pointing stick cap* | 84G6536 |
| 23 | Easy button cover for T22 | 26P9183 |
| 24 | Bracket, LCD FPC | 26P9178 |

(continued)

| No. | FRU | P/N |
|-----|---|---------|
| — | AC adapter (72W), 2-pin (ASTEC) OP | 02K6753 |
| | AC adapter (72W), 2-pin (DELTA) OP | 02K6756 |
| | AC adapter (72W), 2-pin (SANKEN) | 02K6757 |
| | AC adapter (72W), 3-pin (ASTEC) OP | 02K6751 |
| | AC adapter (72W), 3-pin (DELTA) OP | 02K6754 |
| — | Telephone cable (San Tai) | 27L0603 |
| — | Recovery CD for T22 series (see “Recovery CDs for T22 series” on page 157.) | |

- Each FRU is available for all types or models, unless specific types or models are given.
- The FRUs marked with one asterisk are CRU (customer replaceable unit).
- The FRUs marked with **OP** are also available as optional FRU.

| No. | FRU | P/N |
|-----|--|---------|
| a-k | See "Miscellaneous parts" on page 161. | |
| 1 | LCD unit (see "LCD FRUs" on page 154) | |
| 2 | Keyboard bezel for T23 | 08K7414 |
| | for Korea | 08K7415 |
| 3 | Fan assembly for T23 | 26P9166 |
| 4 | PC Card slots for T23 | 26P9165 |
| 5 | I/O card assembly for T23 | 26P8006 |
| 6 | Microphone cable assembly | 27L0520 |
| 7 | Base cover for J, K | 26P9158 |
| | for S-China | 26P9162 |
| | for Korea | 26P9160 |
| | Base cover for L | 26P9610 |
| | for Korea | 26P9611 |
| 8 | Ultrabay 2000 CD-ROM drive (LG) (low power)* OP | 08K9545 |
| | Ultrabay 2000 CD-ROM drive (TEAC)* OP | 27L3436 |
| | Ultrabay 2000 DVD-ROM drive 8x (MKE)* OP | 27L3447 |
| | Ultrabay 2000 DVD-ROM drive 8x (Hitachi)* OP | 27L4167 |
| | for other optional Ultrabay 2000 devices, see "Optional FRUs" on page 167. | |
| 9 | Cover, DIMM slot* for T23 | 26P9421 |
| 10 | Battery pack, Panasonic OP | 02K6626 |
| | for Japan OP | 02K6857 |
| | Battery pack, SANYO OP | 02K6627 |
| | for Japan OP | 02K6859 |
| | Battery pack, Panasonic 2.0 Ah (for L) OP | 02K7026 |
| | for Japan OP | 02K7030 |
| | Battery pack, SANYO 2.0 Ah (for L) OP | 02K7028 |
| | for Japan OP | 02K7032 |
| 11 | Backup battery | 02K6572 |
| 12 | Cover, Mini PCI adapter slot* | 08K7416 |
| 13 | Speaker assembly | 08K6089 |

(continued)

| No. | FRU | P/N |
|-----|---|---------|
| 14 | 128-MB SDRAM SO DIMM (PC133) OP | 19K4653 |
| | for other optional DIMM, see "Optional FRUs" on page 167. | |
| 15 | Mini PCI modem card (Ambit)* | 08K4853 |
| | Mini PCI 802.11b/v.90 modem card* OP | 26P8092 |
| 16 | System board | 26P7997 |
| 17 | CPU assembly, mobile Intel® Pentium® III processor 866 MHz-M | 26P7999 |
| | CPU assembly, mobile Intel® Pentium® III processor 1.13 GHz-M | 26P8082 |
| 18 | Asset ID RF adapter (see "Optional FRUs" on page 167) | |
| 19 | Hard-disk drive (15.0 GB), Hitachi OP | 08K9587 |
| | Hard-disk drive (15.0 GB), STD OP | 08K9585 |
| | Hard-disk drive (48.0 GB), STD | 08K9599 |
| 20 | Cover, hard-disk drive* for T23 | 26P9543 |
| 21 | Keyboard* (see "Keyboard" on page 156.) | |
| 22 | Pointing stick cap* | 84G6536 |
| 23 | Easy button cover | 26P9536 |
| 24 | Ethernet daughter card (Ambit) OP | 26P8069 |
| 25 | Secure chip OP | 26P8084 |
| — | AC adapter (72W), 2-pin (ASTEC) OP | 02K6753 |
| | AC adapter (72W), 2-pin (DELTA) OP | 02K6756 |
| | AC adapter (72W), 2-pin (SANKEN) | 02K6757 |
| | AC adapter (72W), 3-pin (ASTEC) OP | 02K6751 |
| | AC adapter (72W), 3-pin (DELTA) OP | 02K6754 |
| — | Telephone cable (San Tai) | 27L0603 |
| — | Recovery CD (see "Recovery CDs for T23 series" on page 159.) | |

Miscellaneous parts

| FRU | P/N |
|--|---------|
| Screw kit for T20, T21, T22 and T23 series | |
| Screw kit (including nylon-coated screws): <ul style="list-style-type: none"> • M2.5 x 14 mm, bind head (15) • M2.5 x 11.5 mm, flat head (5) • M2.5 x 4.8 mm, flat head (20) • M2.5 x 3.5 mm, flat head (10) • M2.0 x 13.5 mm, pan head (15) • M2.0 x 4.0 mm, small head (10) • Hex stud D-sub (10) • Coin screw (1) • Security screw (1) • Blank cap, enhanced port (5) • Screw caps, rear (5) • Screw caps (5) • Screw caps (painted) (10) • Screw caps (not painted, thin) (10) • Screw caps (not painted) (5) | 26P9654 |
| Common miscellaneous parts for T20, T21 and T22 series | |
| System board miscellaneous parts: <ul style="list-style-type: none"> • System board stud • Insulator, PC card • Insulator, battery latch • Keyboard connector guide • Shock rubber • Insulator, docking connector • Insulator, fan connector • Insulator, Ultrabay 2000 connector • Insulator, I/O connector • Shield, Mini PCI • Insulator, hard-disk drive • Screw caps • Screw caps, rear | 08K7099 |
| I/O card miscellaneous parts: <ul style="list-style-type: none"> • DC jack connector • Cable RJ11/45 to mini PCI • Insulator, modular jack • Insulation tape • Screw caps • Screw caps, rear | 08K6683 |

(continued)

| FRU | P/N |
|--|---------|
| Miscellaneous parts for T20 series | |
| Base miscellaneous parts: <ul style="list-style-type: none"> • I/O plate • Cover, RF ID • Spring, battery lock • Lid, docking FR • Lid, docking RR • Spring, lid docking • Spring, lid PC card • Lid, PC card • ESD plate, audio • Insulator for base cover • Eject lever • Spring lever • Puller bay • Label danger, backup battery • Rubber foot • Sponge • Knob, battery lock • Latch, battery lock • Screw caps • Screw caps, rear | 08K6081 |
| System miscellaneous parts: <ul style="list-style-type: none"> • a Hinge cover assembly • (23) Easy button cover • i I/O card spacer • h Cable RJ11 to system board docking • j Holder, backup battery • g Ultrabay 2000 guide rail • l Hard-disk bay guide rail • b Insulator, keyboard CRU • Mini PCI guide • Screw caps • Screw caps, rear <p>Note: 08K6085 does not contain <i>c, d, e, f</i> and <i>k</i>.</p> | 08K6085 |

(continued)

| FRU | P/N |
|--|---------|
| Miscellaneous parts for T21 series | |
| Base miscellaneous parts: <ul style="list-style-type: none"> • I/O plate • Cover, RF ID • Spring, battery lock • Lid, docking FR • Lid, docking RR • Spring, lid docking • Spring, lid PC card • Lid, PC card • ESD plate, audio • Insulator for base cover • Eject lever • Spring lever • Puller bay • Label danger, backup battery • Rubber foot • Sponge • Knob, battery lock • Latch, battery lock • Screw caps • Screw caps, rear | 08K6081 |
| System miscellaneous parts: <ul style="list-style-type: none"> • a Hinge cover assembly • (23) Easy button cover • i I/O card spacer • h Cable RJ11 to system board docking • j Holder, backup battery • q Ultrabay 2000 guide rail • l Hard-disk bay guide rail • b Insulator, keyboard CRU • c ESD fan cover • d ESD plate spring CSB • e ESD bracket, FPC • f Keyboard support • (24) Bracket, LCD FRC • Mini PCI guide • Grease • Screw caps • Screw caps, rear <p>Note: 04P3449 does not contain k.</p> | 04P3449 |

(continued)

| FRU | P/N |
|--|---------|
| Miscellaneous parts for T22 series | |
| Base miscellaneous parts: <ul style="list-style-type: none"> • Cover, RF ID • Spring, battery lock • Lid, docking FR • Lid, docking RR • Spring, lid docking • Spring, lid PC card • Lid, PC card • ESD plate, audio • Insulator for base cover • Eject lever • Spring lever • Puller bay • Label danger, backup battery • Rubber foot, low height (2) • Rubber foot, high (1) • Sponge • Knob, battery lock • Latch, battery lock • Screw caps • Screw caps, rear | 26P9285 |
| System miscellaneous parts: <ul style="list-style-type: none"> • a Hinge cover assembly • (23) Easy button cover • i I/O card spacer • h Cable RJ11 to system board docking • j Holder, backup battery • g Ultrabay 2000 guide rail • l Hard-disk bay guide rail • b Insulator, keyboard CRU • c ESD fan cover • d ESD plate spring CSB • e ESD bracket, FPC • f Keyboard support • (24) ESD bracket, LCD FPC • k Speaker RF bracket • Mini PCI guide • Grease • Screw caps • Screw caps, rear | 04P3980 |

(continued)

| FRU | P/N |
|---|---------|
| Miscellaneous parts for T23 series | |
| Base miscellaneous parts: <ul style="list-style-type: none"> • I/O plate • Cover, RF ID • Spring, battery lock • Lid, docking FR • Lid, docking RR • Spring, lid docking • Spring, lid PC card • Lid, PC card • ESD plate, audio • Insulator for base cover • Eject lever • Spring lever • Puller bay • Label danger, backup battery • Rubber foot • Sponge • Knob, battery lock • Latch, battery lock • Screw caps • Screw caps, rear | 08K6081 |
| System miscellaneous parts: <ul style="list-style-type: none"> • a Hinge cover assembly • (23) Easy button cover T23 • a I/O card spacer • f Cable RJ11 to system board docking • h Holder, backup battery • e Ultrabay 2000 guide rail • i Hard-disk bay guide rail • b Insulator, keyboard CRU • k ESD bracket, FPC • d ESD bracket, LCD FPC • c EMI finger PCMCIA • j Bracket EMI speaker • Mini PCI guide • Grease • Screw caps • Screw caps, rear | 26P9167 |

(continued)

| FRU | P/N |
|---|---------|
| Miscellaneous parts for T23 series | |
| System board miscellaneous parts: <ul style="list-style-type: none"> • System board stud • System board stud (long) • System board stud (back) • Insulator, PC card • Insulator, battery latch • Keyboard connector guide • Shock rubber • Insulator, docking connector • Insulator, Ultrabay 2000 bay connector • Insulator, I/O connector • Insulator, hard-disk drive • Screw caps • Screw caps, rear | 26P9164 |
| I/O card miscellaneous part: <ul style="list-style-type: none"> • DC jack connector • Cable RJ11/45 to Mini PCI/EDC • Insulator, modular jack • Insulator for system board • Insulation tape • Screw caps • Screw caps, rear | 26P9422 |