

Intel® SPSH4 Server Platform Quick Start User's Guide



Build Value with Intel

Server Products, Programs and Support
Get the high-value server solutions you need by taking advantage of the outstanding value Intel provides to system integrators:

- High-quality server building blocks
- Extensive breadth of server building blocks
- Solutions and tools to enable e-Business
- Comprehensive training services*
- Worldwide 24x7 technical support [AT&T Country Code + 866-655-6565]*
- World-class service, including a three-year warranty and Advanced Warranty Replacement*

For more information on Intel's added-value server offerings, visit the Intel® Server Builder website at: <http://www.intel.com/go/serverbuilder>

*Available only to Intel® Channel Program Members, part of Intel® e-Business Network.

Start Here

Thank you for buying an Intel® Server. The following information will help you set up your server.

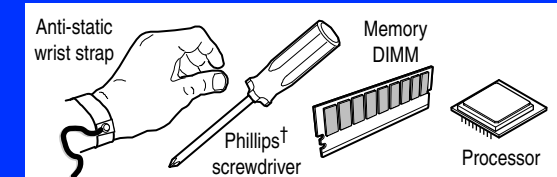
This Guide is for technically qualified persons. Expanded installation instructions and complete product information are available in the *SPSH4 Server Platform Product Guide* located on the system resource CD.

Minimum Hardware Requirements:

- Processor: Minimum of one Intel® Xeon™ processor.
- Memory: Four PC-200 DDR DIMMs, minimum 128 MB each.

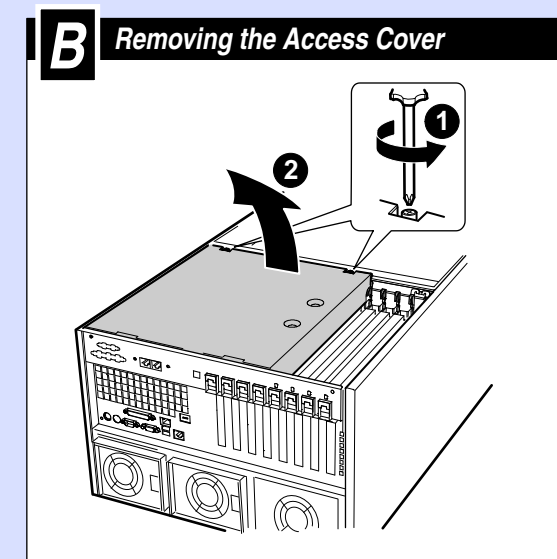
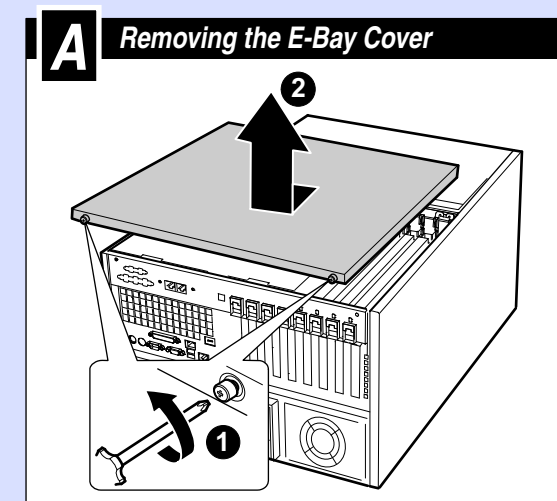
For technical information, including qualified memory and processors, see: <http://support.intel.com/support/motherboards/server/ssh4/spsh4/>

Before you begin:
You will need the following tools and equipment ...

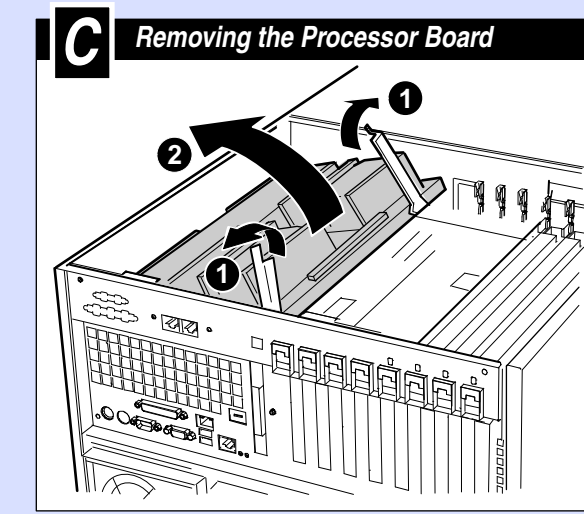
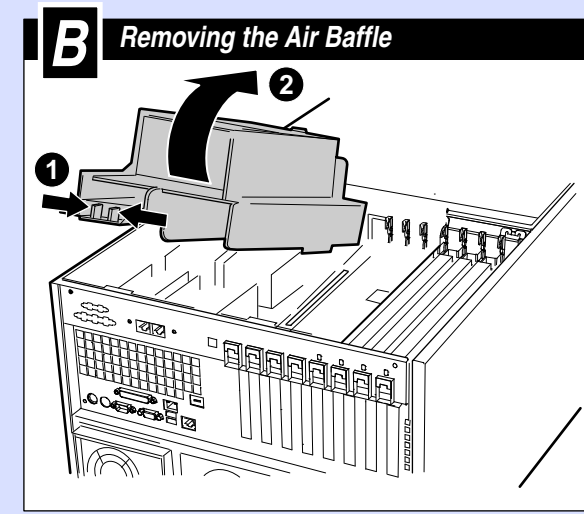
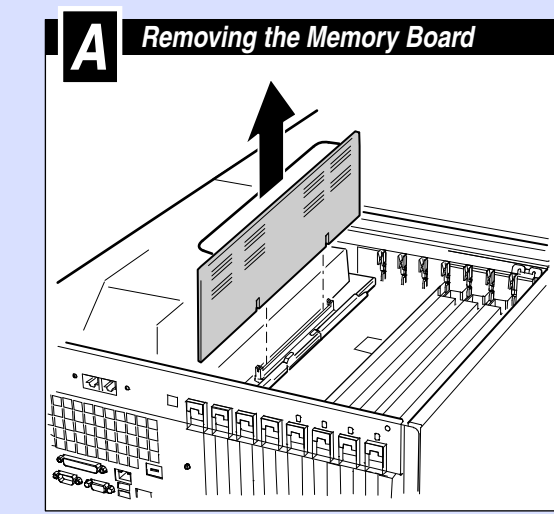


- ⚠ See the *SPSH4 Server Platform Product Guide* for product Safety and EMC regulatory compliance information.
- ⚠ If you are not familiar with ESD (Electrostatic Discharge) procedures to be used during system assembly, complete ESD procedures are described in the *SPSH4 Server Platform Product Guide*.

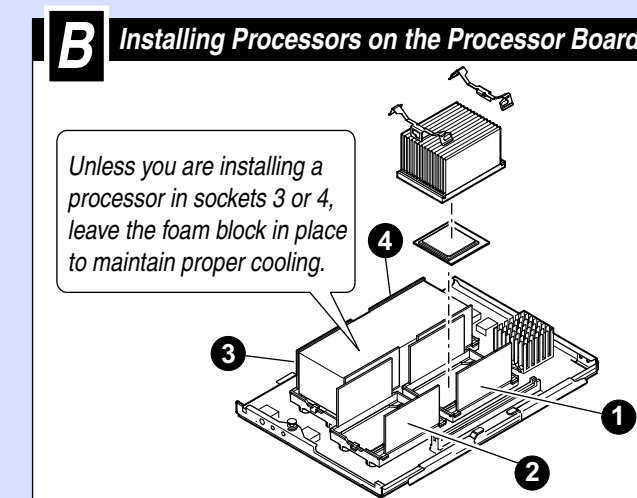
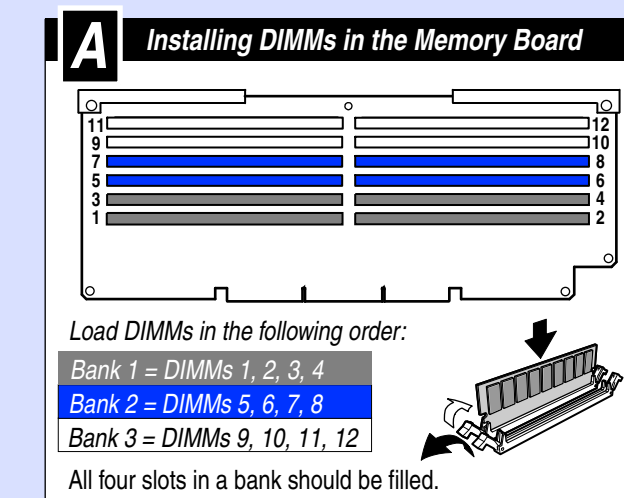
1 Removing Covers



2 Removing the Memory and Processor Boards



3 Installing Memory and Processors

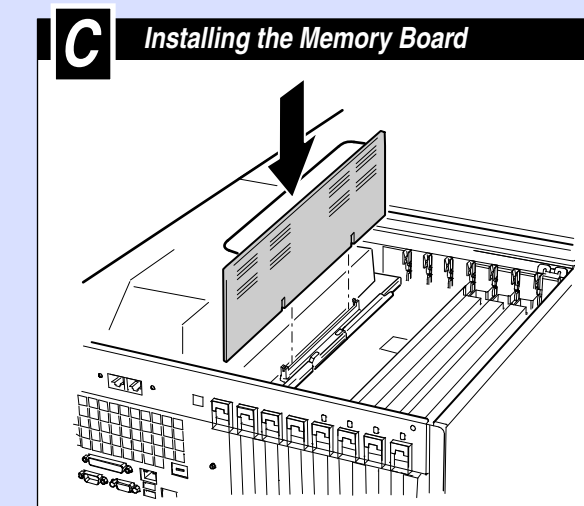
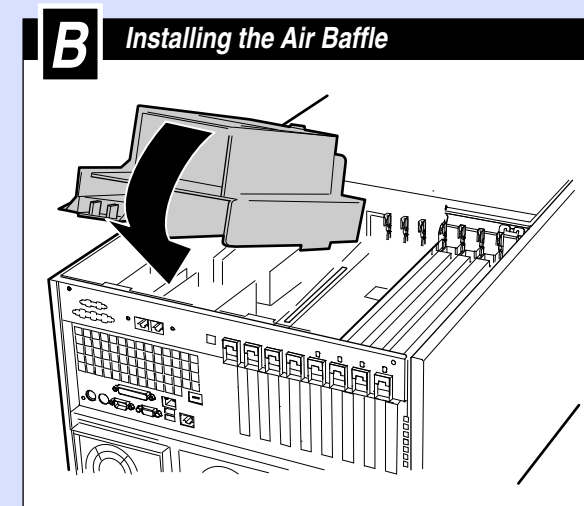
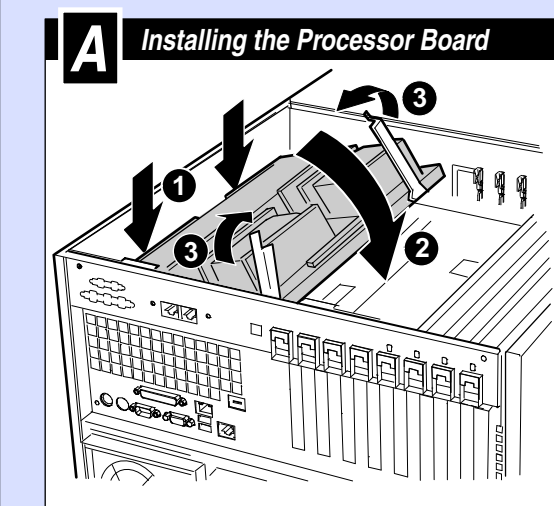


4 If you are installing ...

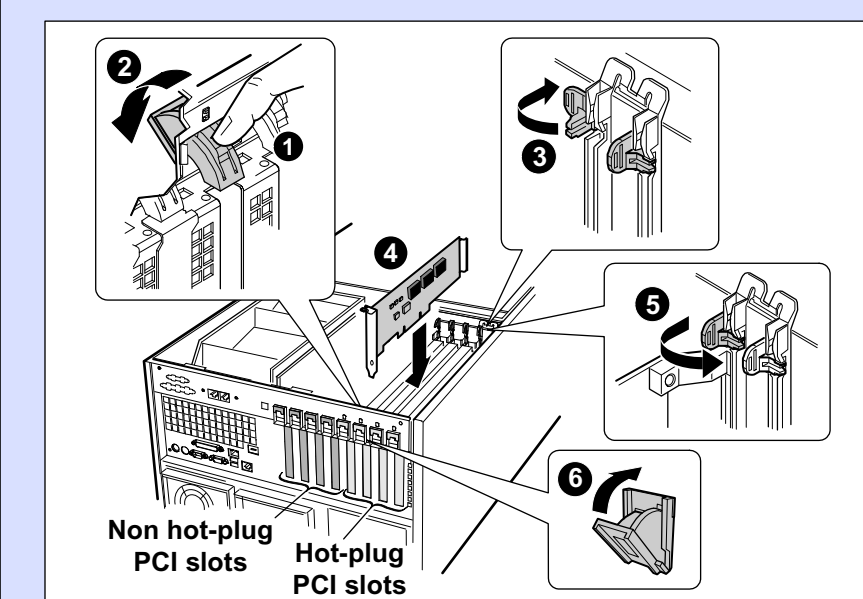
... an ICMB board,
do that now.

For more information,
see the SPSH4
Server Platform
Product Guide.

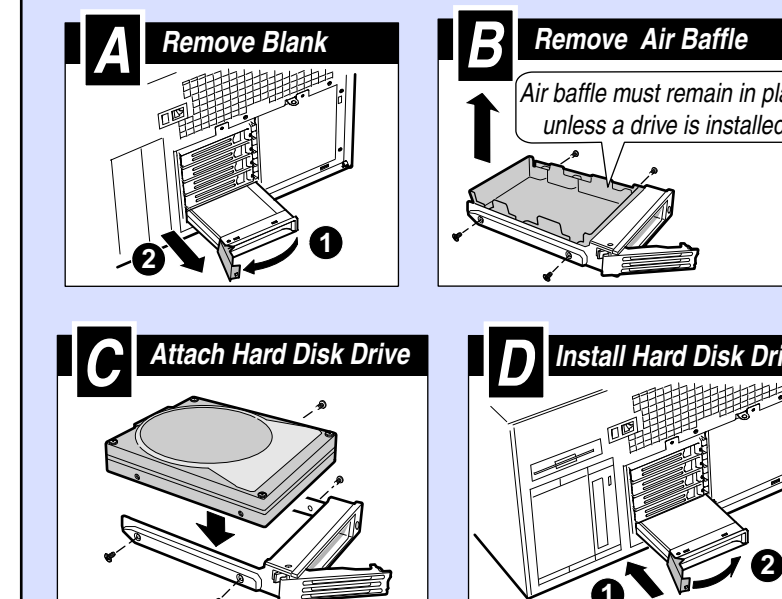
5 Installing the Processor and Memory Boards



6 Installing PCI Adapter Cards



7 Installing Hard Disk Drives

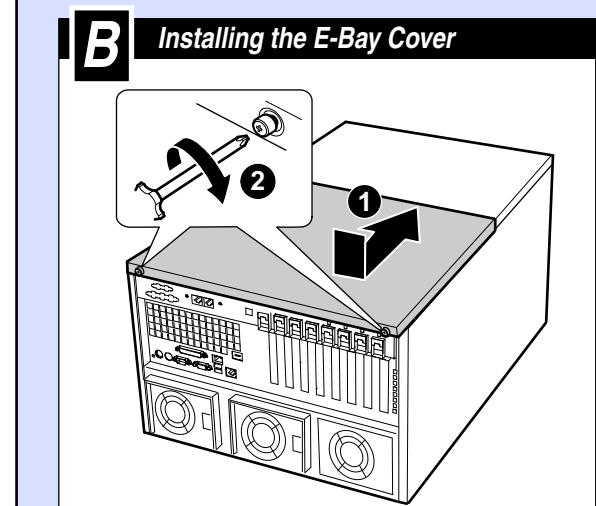
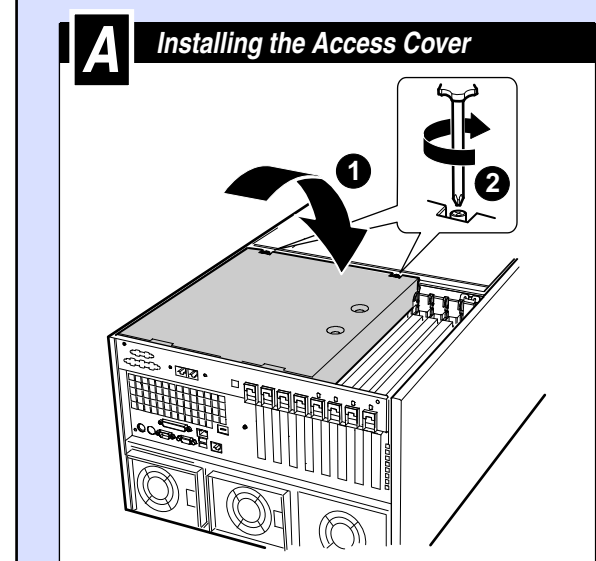


8 If you are installing ...

... an additional power supply or
additional peripherals, do that now.

For more information, see the
SPSH4 Server Platform Product Guide.

9 Installing Covers

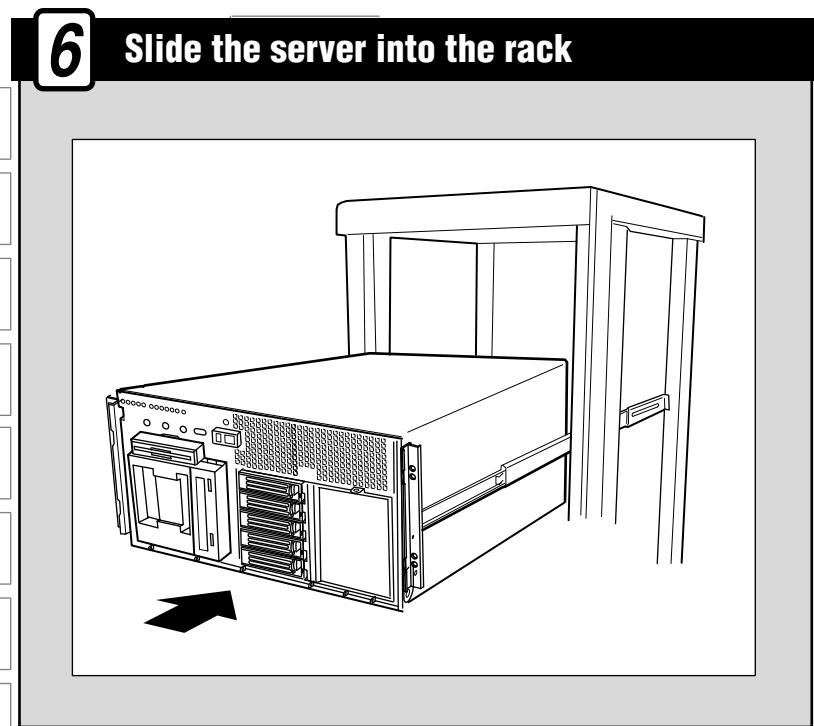
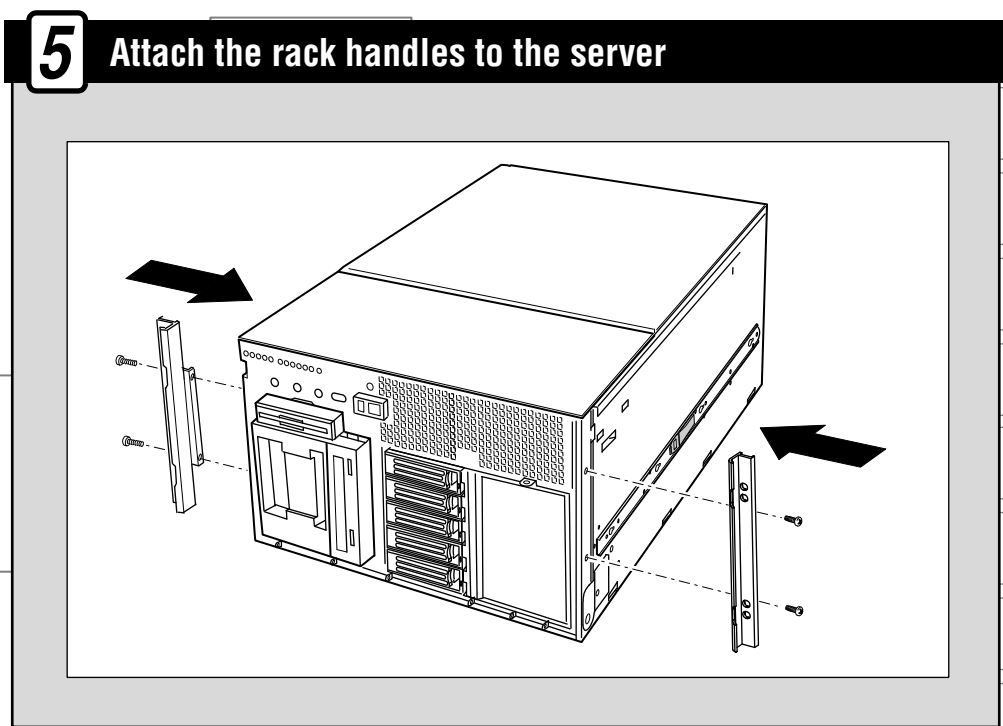
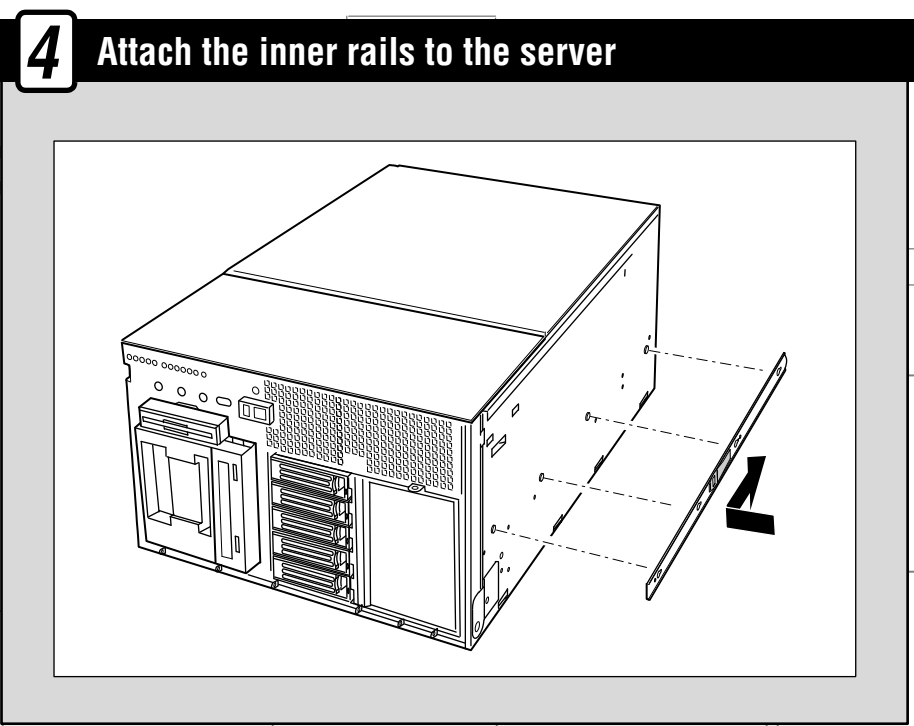
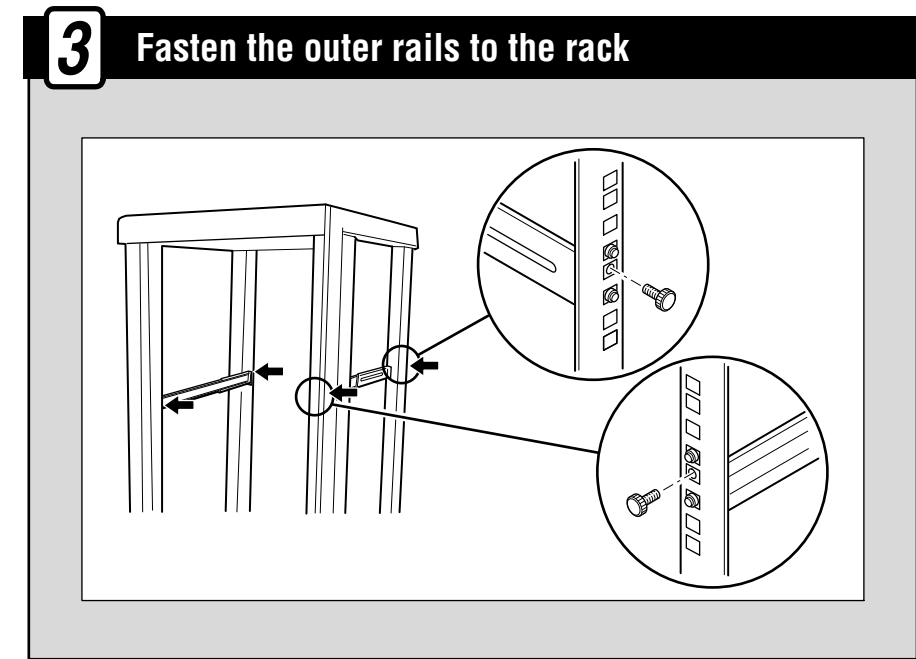
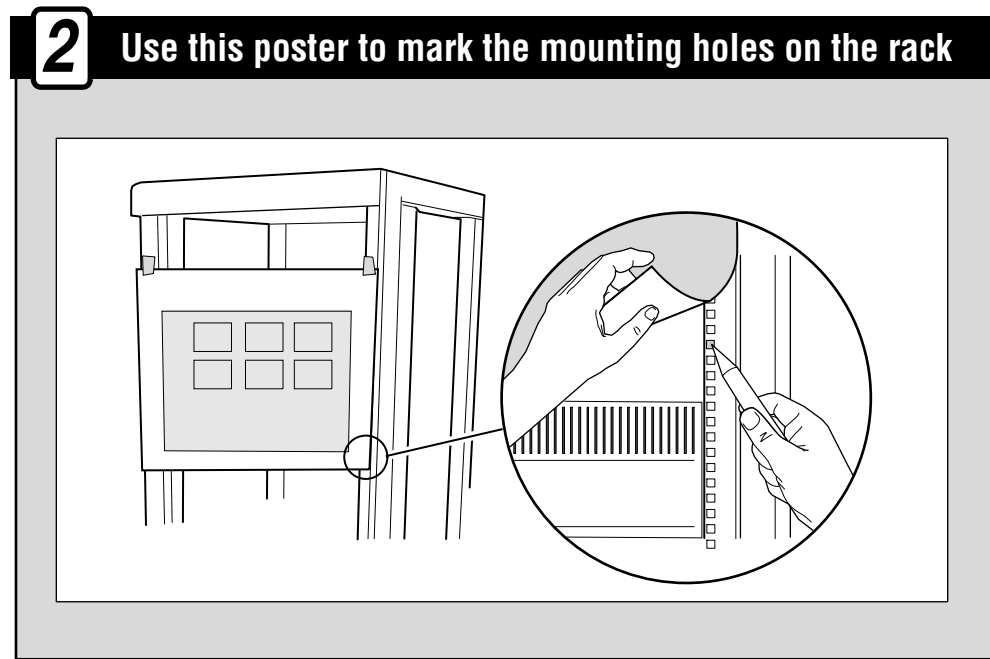
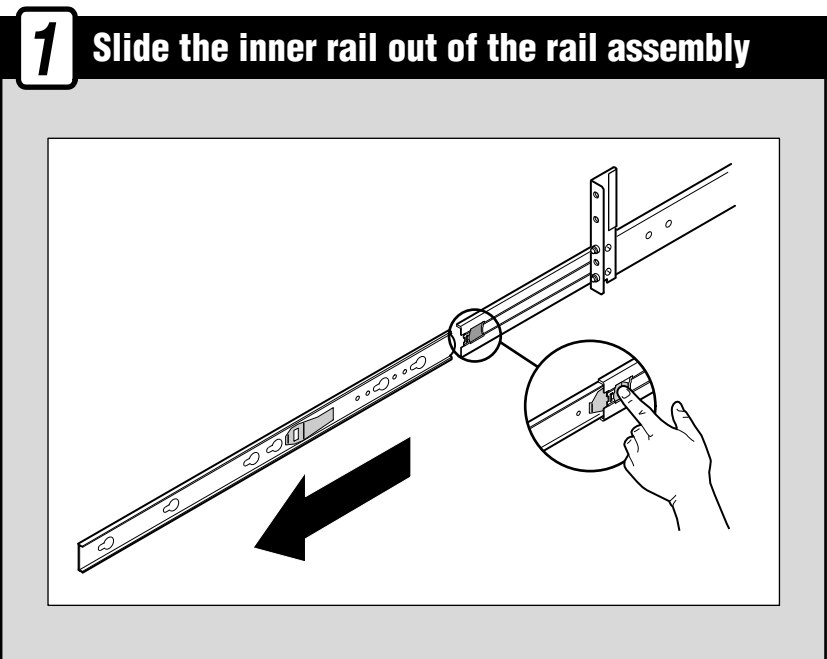


10 Configuring your System

1. Recommended: Update BMC, FRU/SDR, HSC, and BIOS with the latest versions from: <http://support.intel.com/support/motherboards/server/ssh4/spsh4/>
 2. Required: Boot from the System Resource CD.
 3. Required: Run FRU/SDR to recognize and configure installed hardware.
 4. Recommended: Create a service partition.
- For more information, see the SPSH4 Server Platform Product Guide.

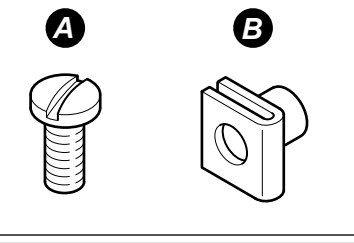
For rack mounting instructions,
see side 2





Avoid injury: To avoid personal injury when unpacking the server, use only a mechanical assist unit to lift it off the shipping pallet. Do not attempt to lift or move the server by the handles on the power supplies. Use only a hand-truck or other mechanical assist unit to move the server from one location to another.

Fastener Identification Guide



Mark these holes for mounting the rails, see Step 2.

