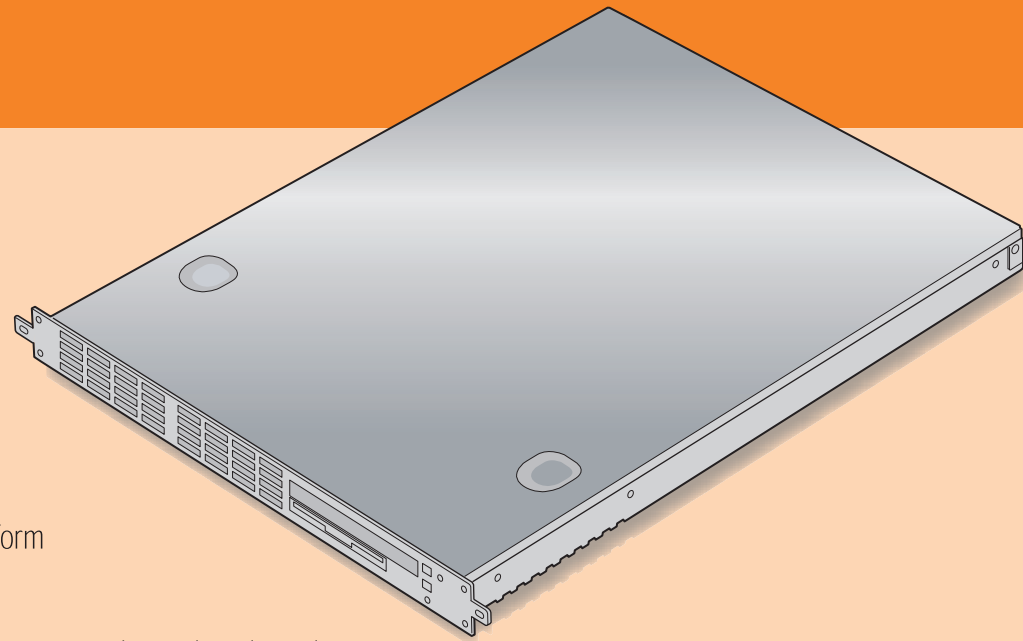




Intel® Server Platform SR1325TP1-E Quick Start User's Guide

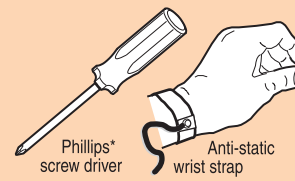


Thank you for buying an Intel® Server Platform. The following information will help you assemble your Intel® Server Platform and install components.

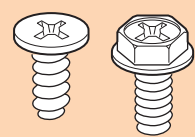
This guide and other supporting documents are located on the web at <http://support.intel.com/support/motherboards/server/SR1325TP1-E>. You can also find the guides on the CD that accompanied the Intel® Server Platform SR1325TP1-E.

If you are not familiar with ESD [Electrostatic Discharge] procedures used during system integration, complete ESD procedures are described in your User Guide. For more details on Intel® Server Platforms, please see: www.intel.com/go/serverbuilder.

Tools Required



Fastener Identification Guide



Warning

Installation and service of this product to be performed only by qualified service personnel to avoid risk of injury from electrical shock or energy hazard.

Note

See your Intel® Server Platform SR1325TP1-E User Guide for detailed service descriptions and procedures.

Building Value With Intel Server Products, Programs and Support

Get the high-value server solutions you need by taking advantage of the outstanding value Intel provides to system integrators:

- High-quality server building blocks
- Extensive breadth of server building blocks
- Solutions and tools to enable e-Business
- Intel® Server Management
- Comprehensive training services
- Worldwide 24x7 technical support [AT&T Country Code + 866-655-6565]¹
- World-class service, including a three-year limited warranty and Advanced Warranty Replacement¹

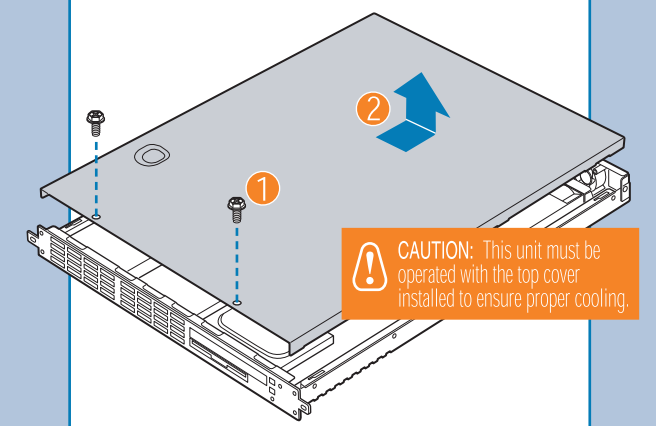
For more information on Intel's added-value server offerings, visit the Intel® ServerBuilder website at: www.intel.com/go/serverbuilder

Intel® ServerBuilder is your one-stop shop for information about all of Intel's Server Building Blocks such as:

- Product information, including product briefs and technical product specifications
- Sales tools, such as videos and presentations
- Training information, such as the Intel® Online Learning Center
- Support Information and much more

¹Available only to Intel® Channel Program Members, part of the Intel® e-Business Network.

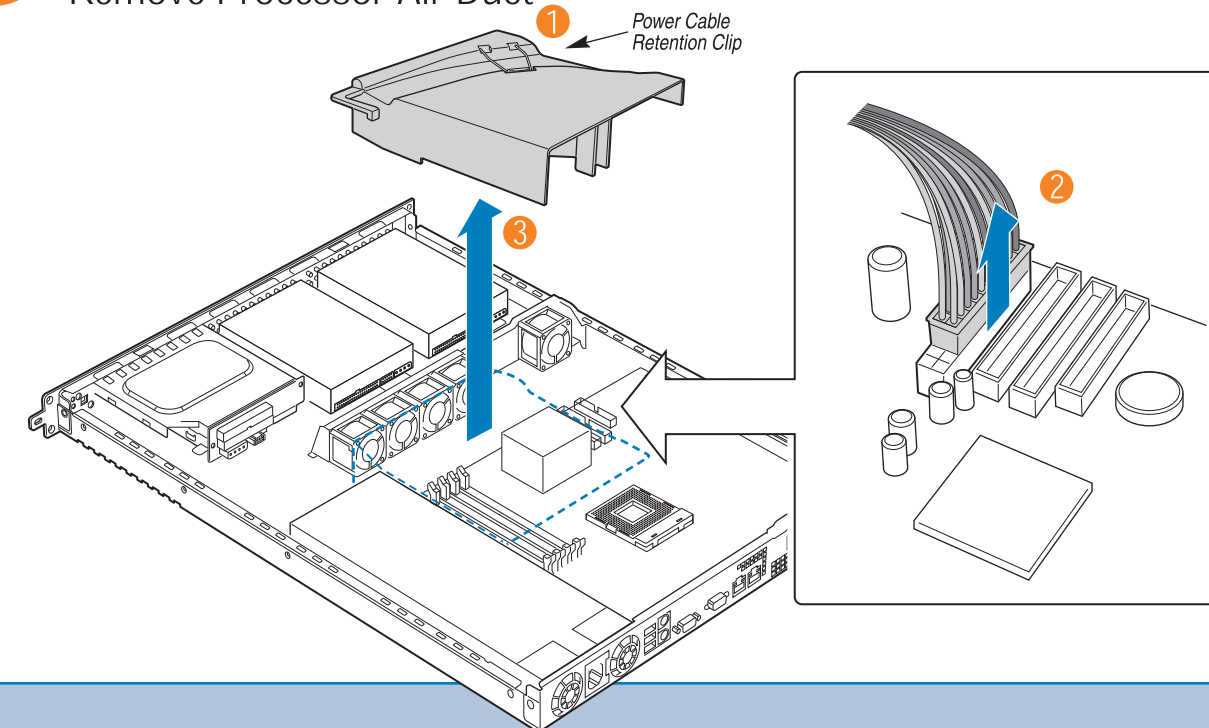
1 Remove the Top Cover



CAUTION: This unit must be operated with the top cover installed to ensure proper cooling.

- To remove the system top cover:
- 1 Remove two screws.
 - 2 Slide toward rear and lift upward.

2 Remove Processor Air Duct



The air duct comes installed with the main power cabling connected to the server board.

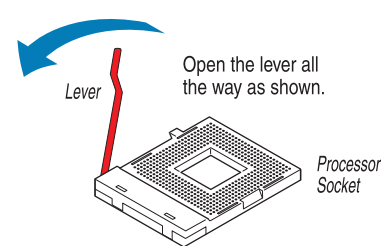
- To remove the air duct:
- 1 Open the cable retention clip on top of the air duct.
 - 2 Unplug the main power connector from the server board and remove the wiring bundle from the top of the air duct.
 - 3 Lift the air duct straight up to remove it.

3 Install the Processor

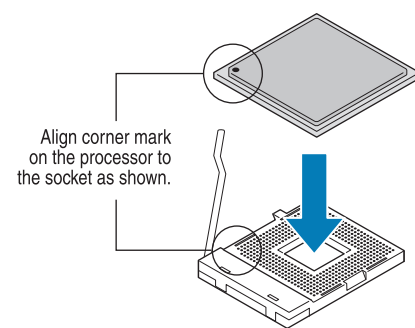
Notes and Cautions

1. When unpacking a processor, hold only by the edges to avoid touching the pins.
2. This server board has a "zero-insertion force" socket. If processor does not drop easily into socket holes, make sure lever is in the full-open position and the processor is oriented properly.

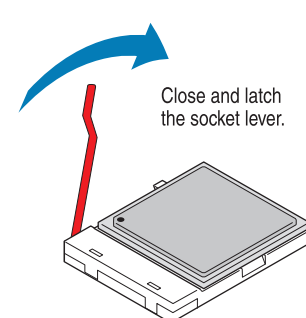
A. Open the Socket Lever



B. Install the Processor



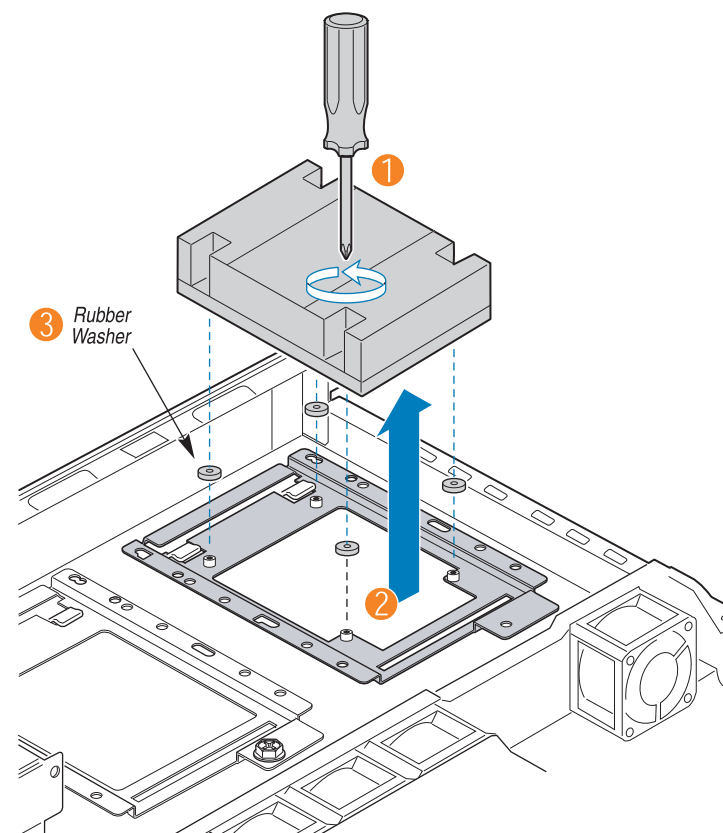
C. Close the Socket Lever



4 Remove Heat Sink from Chassis Shipping Location

The processor heat sink is secured to a hard drive bracket at the front of the chassis during shipping. It must be removed from this location and installed over the processor.

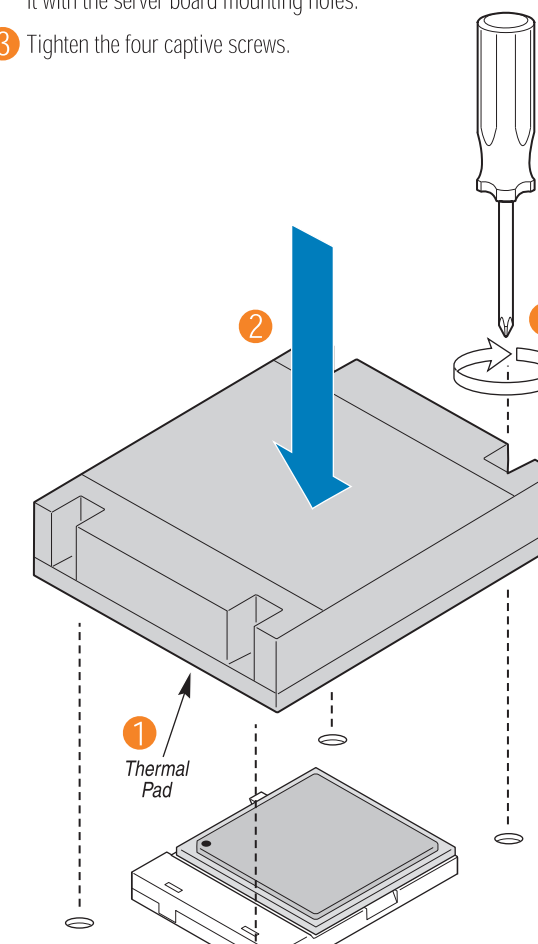
- 1 Loosen the four captive screws securing the heat sink to the hard disk drive mounting bracket.
- 2 Lift heat sink straight up and remove. Place upside down to avoid damaging the thermal interface material located on the bottom side.
- 3 Remove and discard the rubber shipping washers from the bottom of the heat sink.



5 Install the Heat Sink

The processor heat sink has four spring-loaded captive screws.

- 1 The heat sink has a pad of thermal interface material (TIM) on the underside that contacts the top of the processor. Remove the peel-off protective paper from the TIM.
- 2 Place the heatsink on the processor and align it with the server board mounting holes.
- 3 Tighten the four captive screws.



6 Install Memory

DIMM Memory Modules

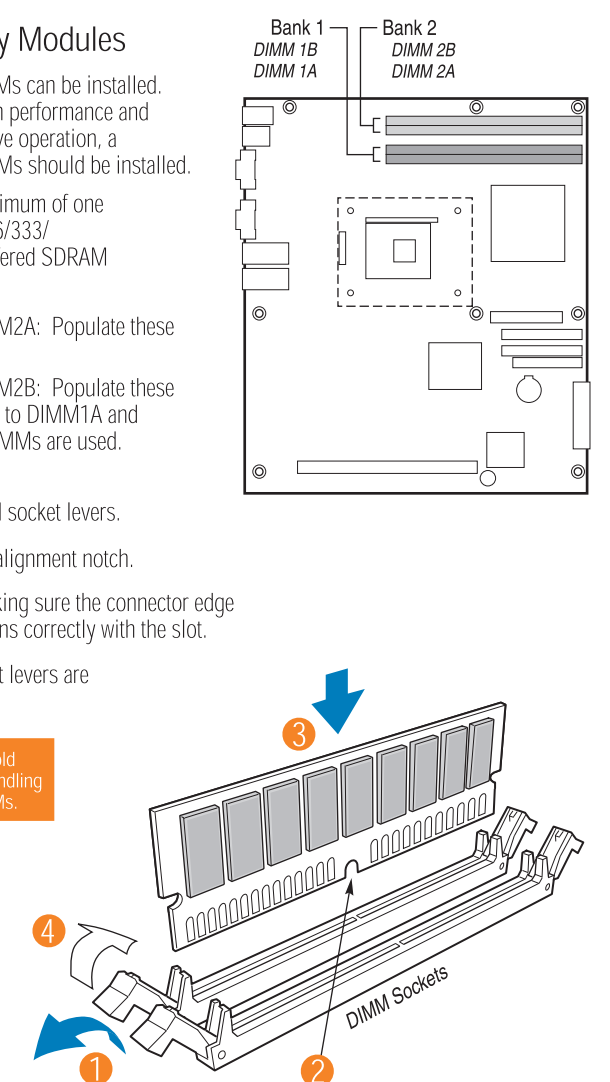
One, two or four DIMMs can be installed. However, for optimum performance and dual-channel interleave operation, a minimum of two DIMMs should be installed.

Memory Type: Minimum of one 128MB ECC, DDR266/333/400-compliant unbuffered SDRAM 184-pin gold DIMM.

- DIMM1A and DIMM2A: Populate these two sockets first.
- DIMM1B and DIMM2B: Populate these sockets in addition to DIMM1A and DIMM2A if four DIMMs are used.

- 1 Open both DIMM socket levers.
- 2 Note location of alignment notch.
- 3 Insert DIMM making sure the connector edge of the DIMM aligns correctly with the slot.
- 4 Check that socket levers are securely latched.

CAUTION: Avoid touching gold contacts when handling or installing DIMMs.



C61605-002

