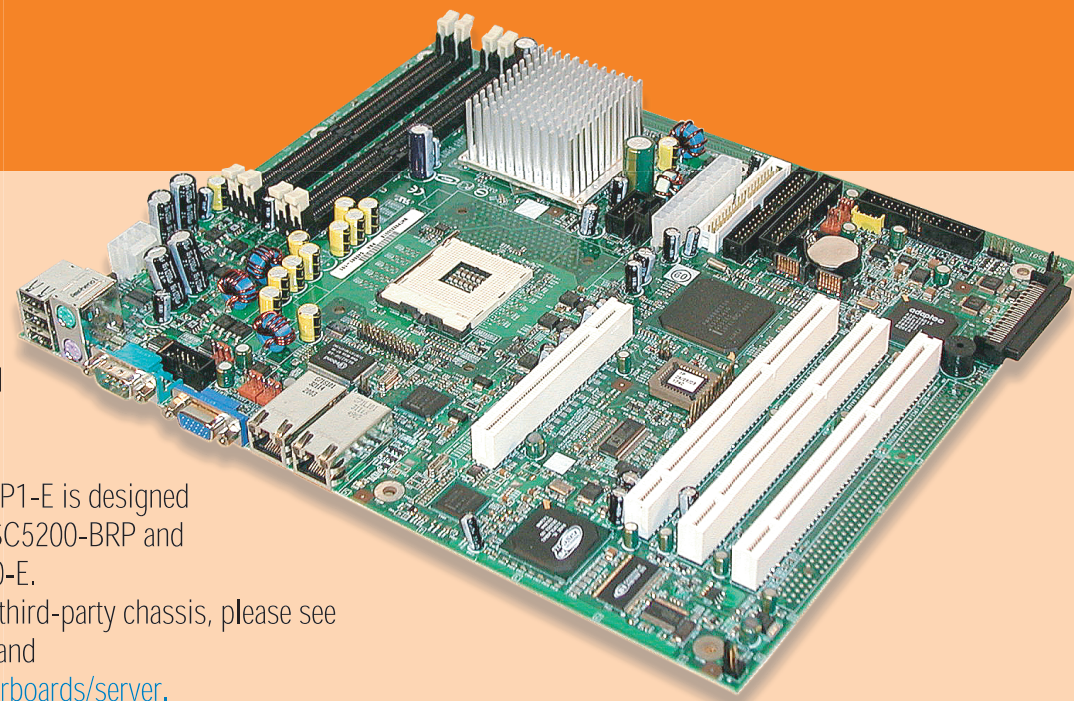




# Intel® Entry Server Board SE7210TP1-E Quick Start User's Guide

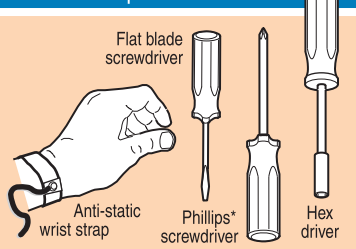


Thank you for buying an Intel® Server Board. The following information will help you to integrate your Intel® Entry Server Board SE7210TP1-E into a server chassis.

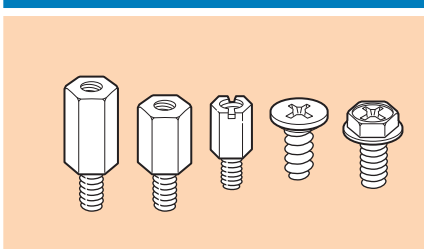
The Intel® Entry Server Board SE7210TP1-E is designed for use with the Intel® Server Chassis SC5200-BRP and the Intel® Entry Server Chassis SC5250-E. For details on these products or tested third-party chassis, please see <http://www.intel.com/go/serverbuilder> and <http://support.intel.com/support/motherboards/server>. User Guides are also available on the CD that accompanied your Intel® Entry Server Board SE7210TP1-E.

If you are not familiar with ESD (Electrostatic Discharge) procedures used during system integration, please see the Intel® Entry Server Board SE7210TP1-E User Guide, available on the CD or at <http://support.intel.com/support/motherboards/server/se7210tp1-e-manual.htm>.

### Tools Required



### Fastener Identification Guide



### Minimum Hardware Requirements

To avoid integration difficulties and possible board damage, your system must meet the following minimum requirements:

- Processor: One Intel® Pentium® 4 processor, Minimum 2.0 GHz.
- Memory: Minimum of one 128 MB, DDR266/333/400-compliant unbuffered SDRAM 184-pin gold DIMM.
- Power: Minimum of 300W with 1.2A of standby current.

## Building Value With Intel

### Server Products, Programs and Support

Get the high-value server solutions you need by taking advantage of the outstanding value Intel provides to system integrators:

- High-quality server building blocks
- Extensive breadth of server building blocks
- Solutions and tools to enable e-Business
- Intel® Server Management
- Comprehensive training services
- Worldwide 24x7 technical support [AT&T Country Code + 866-655-6565]<sup>1</sup>
- World-class service, including a three-year limited warranty and Advanced Warranty Replacement<sup>1</sup>

For more information on Intel's added-value server offerings, visit the Intel® ServerBuilder website at: [www.intel.com/go/serverbuilder](http://www.intel.com/go/serverbuilder)

Intel® ServerBuilder is your one-stop shop for information about all of Intel's Server Building Blocks such as:

- Product information, including product briefs and technical product specifications
- Sales tools, such as videos and presentations
- Training information, such as the Intel® Online Learning Center
- Support Information and much more

<sup>1</sup>Available only to Intel® Channel Program Members, part of the Intel® e-Business Network.

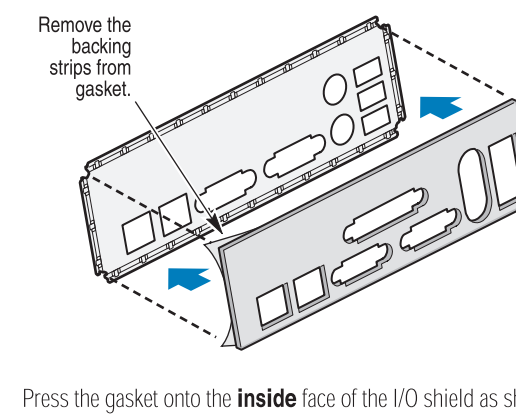
**WARNING:** Installation and service of this product to be performed only by qualified service personnel to avoid risk of injury from electrical shock or energy hazard.

## 1 Preparing the Chassis

When using an Intel® Server Chassis, begin with the Quick Start User's Guide that came with your chassis. Return to this document when directed by the server chassis Quick Start User's Guide. If using a non-Intel server chassis, refer to the documentation that came with your chassis for preparatory steps.

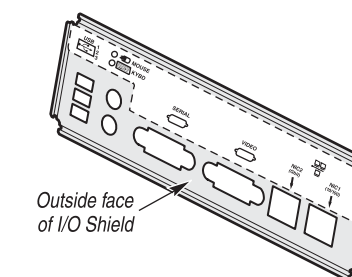
## 2 Installing the I/O Shield and Gasket

### A. Attach the Gasket to the I/O Shield



Press the gasket onto the **inside** face of the I/O shield as shown.

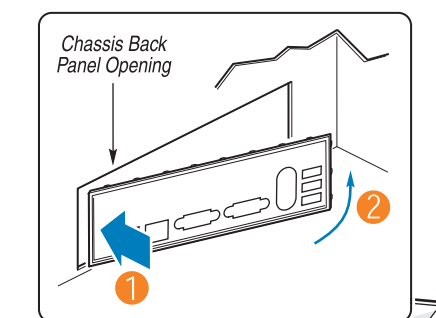
### B. Attach the Label to the I/O Shield



Remove the backing from the label included with your server board. Press the label onto the outside face of the I/O shield.

### C. Install the I/O Shield

Shield installs from **inside** of chassis. The label should be visible from the outside of the chassis.



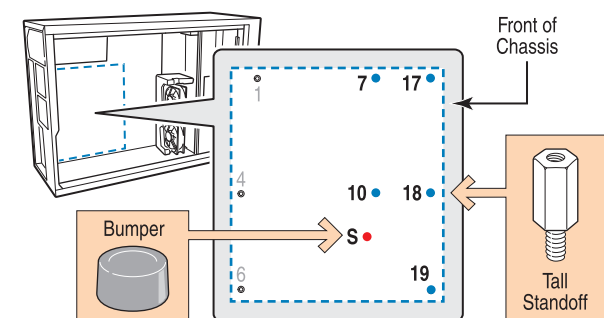
- 1 Insert one side edge of shield as shown.
- 2 Push shield firmly into chassis opening until it clicks into place.

## 3 Install the Chassis Standoffs and Bumper

Use the standoffs that are included with your chassis.

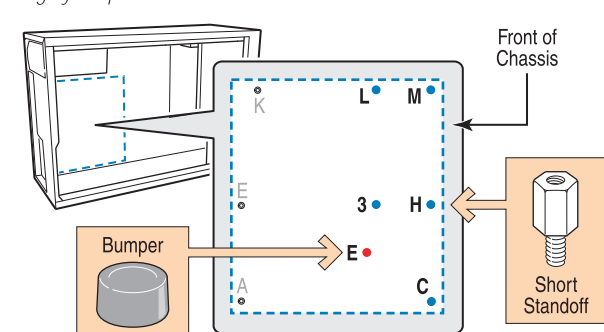
**DO NOT** install standoffs at any position not indicated in this diagram.

**For the Intel® Server Chassis SC5200-BRP:** Install standoffs in positions **7, 10, 17, 18** and **19**. Standoff positions shown in gray are pre-installed.



A self-adhesive rubber bumper is included with your chassis. Remove the backing paper and place the bumper directly over the chassis hole marked "S".

**For the Intel® Entry Server Chassis SC5250-E:** Install standoffs in positions **3, C, H, L** and **M**. Standoff positions shown in gray are pre-installed.

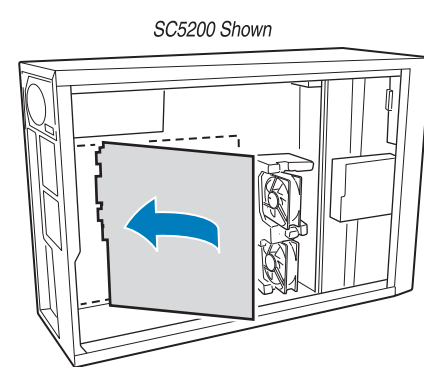


A self-adhesive rubber bumper is included with your chassis. Remove the backing paper and place the bumper directly over the chassis hole marked "E". Note: This chassis includes TWO locations identified as letter "E". Refer to the diagram above for the correct bumper location.

## 4 Install the Server Board

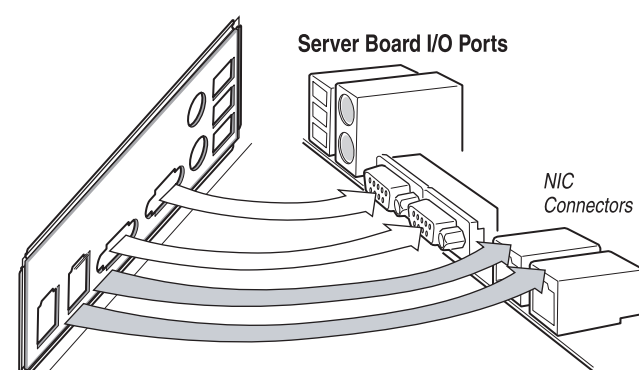
### A. Insert the Server Board

Place the board into the chassis, making sure that back panel I/O shield openings and chassis standoffs align correctly. Insert the I/O connector side [back] of the board first.



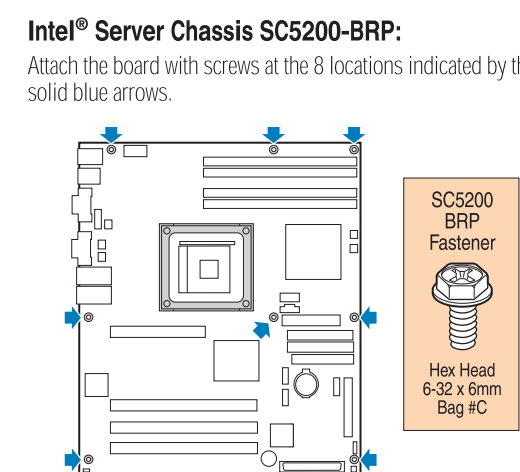
### B. Align Server Board I/O Ports with Shield

Line up the board in the chassis, making sure the I/O connectors fit through the openings in the I/O shield at the rear of the chassis.



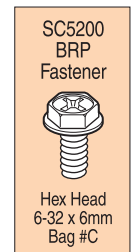
### C. Attach the Server Board

Note: The Intel® Server Chassis SC5200-BRP and the Intel® Entry Server Chassis SC5250-E use different fasteners to attach the server board to the chassis. Use the fastener indicated for your chassis.



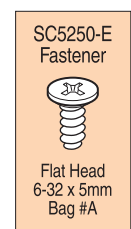
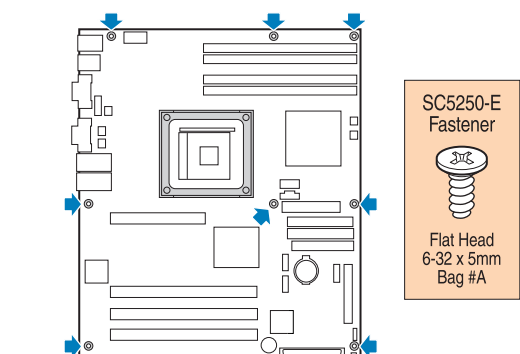
#### Intel® Server Chassis SC5200-BRP:

Attach the board with screws at the 8 locations indicated by the solid blue arrows.



#### Intel® Entry Server Chassis SC5250-E:

Attach the board with screws at the 8 locations indicated by the solid blue arrows.



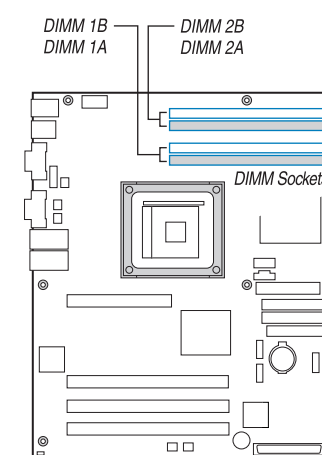
## 5 Install Memory

### DIMM Memory Modules

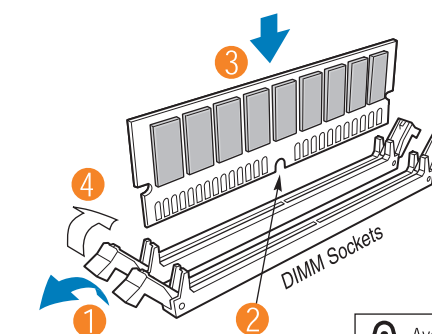
One, two or four DIMMs can be installed. However, for optimum performance and dual-channel interleave operation, a minimum of two DIMMs should be installed.

Memory Type: Minimum of one 128MB ECC, DDR266/333/400-compliant unbuffered SDRAM 184-pin gold DIMM.

- DIMM1A and DIMM2A: Populate these two sockets first.
- DIMM1B and DIMM2B: Populate these sockets in addition to DIMM1A and DIMM2A if four DIMMs are used.



- 1 Open both DIMM socket levers.
- 2 Note location of alignment notch.
- 3 Insert DIMM making sure the connector edge of the DIMM aligns correctly with the slot.
- 4 Check that socket levers are securely latched.



Avoid touching gold contacts when handling or installing DIMMs.

C48682-001

