

# Quick Start User Guide

Intel® Server  
Chassis SC5200  
Hot-Swap,  
Redundant Power

## Start Here

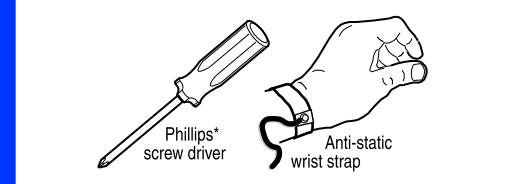
Thank you for buying an Intel® Server Chassis. The following information will help you prepare your server chassis for integration with your selected server board.

This Guide is for technically qualified persons. Expanded installation instructions and complete product information are available in the *Product Guide* on the Chassis Documentation CD. Spanish and Simplified Chinese translations of the *Product Guide* are also available on the Documentation CD.

For more information on using the hot-swap features of your server chassis, see the Configuration Quick Reference Label inside the chassis cover and your Product Guide.

### Before you begin

You will need the following tools and equipment:



See your *Product Guide* for product Safety and EMC regulatory compliance information.

If you are not familiar with ESD (Electro-Static Discharge) Procedures to be used during system assembly, complete ESD Procedures are described in your *Product Guide*.

Additional resources and support for your server chassis can be found at:

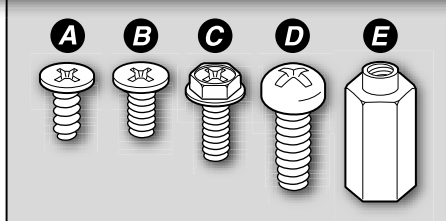
<http://support.intel.com/support/motherboards/server/chassis/SC5200>

### Accessories and Order Codes

Hot-Swap Drive Bay Upgrade Kit	AXX2HSDRVUG
Y-Cable for SCSI Backplane [Permits cabling two backplanes to one SCSI/RAID channel]	AHD3HSBPYCBL
Hot-Swap Fan Spare Kit [Two 80 mm fans and one 92 mm fan with carriers and connectors]	FHD3HSFANS
DLT Tape Drive and Slim Line CDROM Mounting Brackets	FHD2DLTBRK
ICMB Board Assembly Kit	AXX2ICMBKIT
External SCSI Adapter Cable	AXXEXTSCSICBL
350W Power Module	AXX2PSMODL350

A complete list of accessories and spares can be found at:  
[www.intel.com/go/serverbuilder](http://www.intel.com/go/serverbuilder)

### Fastener Identification Guide



## Build Value with Intel

**Server Products, Programs and Support**  
Get the high-value server solutions you need by taking advantage of the outstanding value Intel provides to system integrators:

- High-quality server building blocks
- Extensive breadth of server building blocks
- Solutions and tools to enable e-Business
- Intel® Server Management
- Comprehensive training services†
- Worldwide 24x7 technical support (AT&T Country Code + 866-655-6565)†
- World-class service, including a three-year limited warranty and Advanced Warranty Replacement†

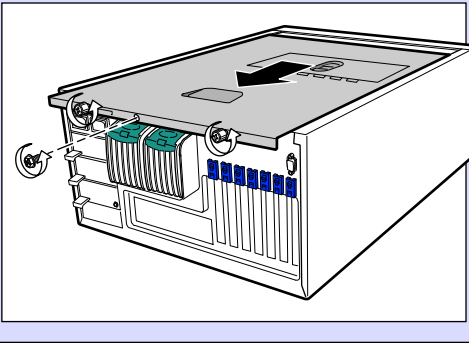
For more information on Intel's added-value server offerings, visit the Intel® ServerBuilder website at:  
[www.intel.com/go/serverbuilder](http://www.intel.com/go/serverbuilder)

Intel ServerBuilder is your one-stop shop for information about all of Intel's Server Building Blocks such as:

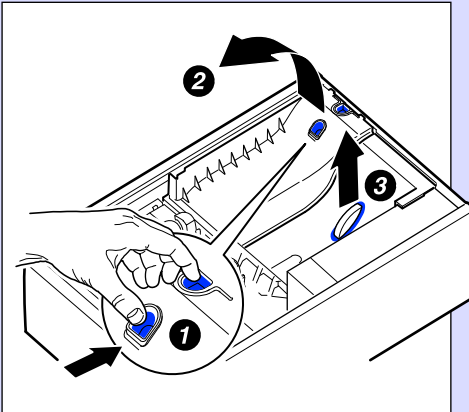
- Product information including product briefs and technical product specifications
- Sales tools such as videos and presentations
- Configurator Tools to help you build complete solutions
- Training information such as the Intel® Online Learning Center
- Support Information and much more

†Available only to Intel® Channel Program Members, part of Intel® e-Business Network.

## 1 Removing the Top Cover

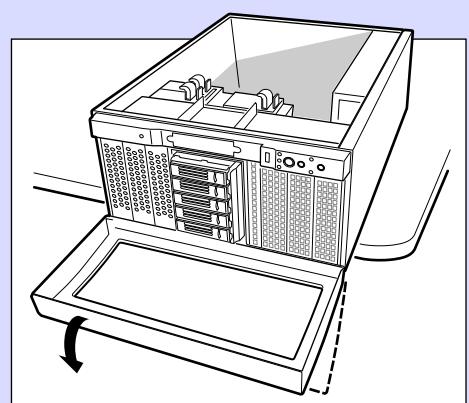


## 2 Removing Ducts



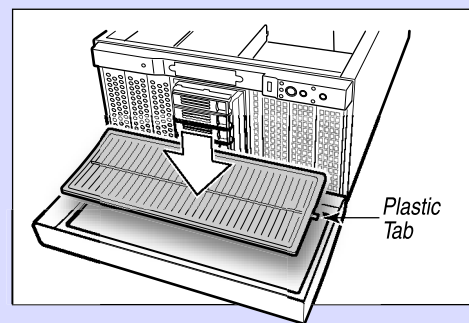
1. Squeeze the blue latch on the duct covering the PCI expansion slots.
2. Lift the duct and pull it out of the hinge in the hot swap fan holder.
3. Grip the blue tab on the duct covering the system processor(s) and lift the duct. Pull the duct toward the rear of the chassis to disengage it from the hinge in the hot-swap fan holder and remove it.

## 3 System Placement-pedestal



Position the front of the chassis over the edge of your work space so that the door can swing open as shown.

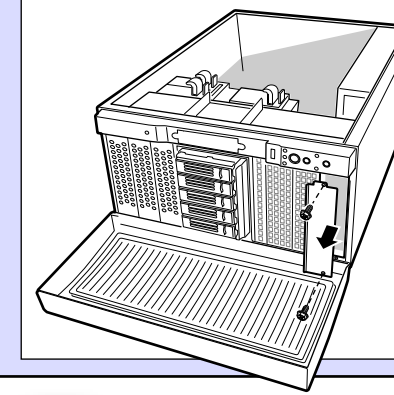
## 4 Grill Install-pedestal only



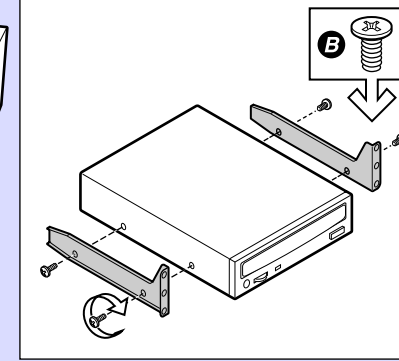
1. Position Grill with plastic tab toward the right side of the door as shown.
2. Push over tabs on door until grill snaps in place.

## 5 Installing the CD-ROM Drive - pedestal mount system

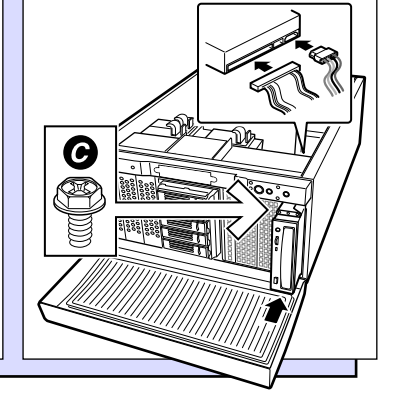
### A Remove the Filler Panel



### B Attach Side Rails

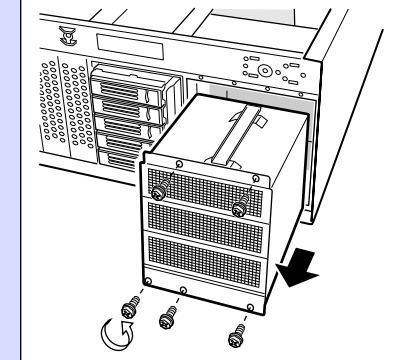


### C Install CD-ROM Drive



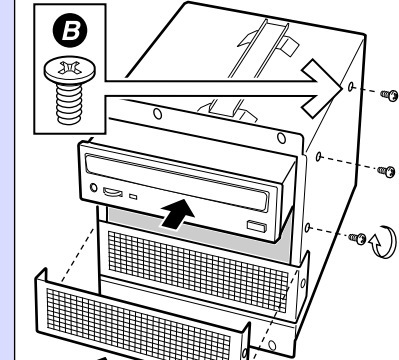
## 6 Installing the CD-ROM Drive - rack mount system

### A Remove the Device Cage



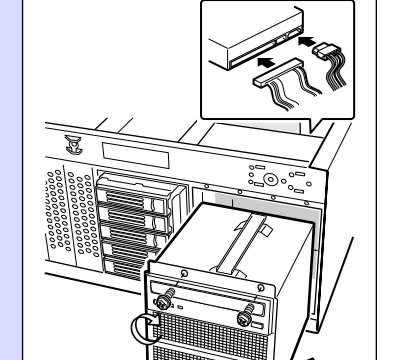
Remove five screws and slide cage out of chassis as shown.

### B Install Drive into Top Bay

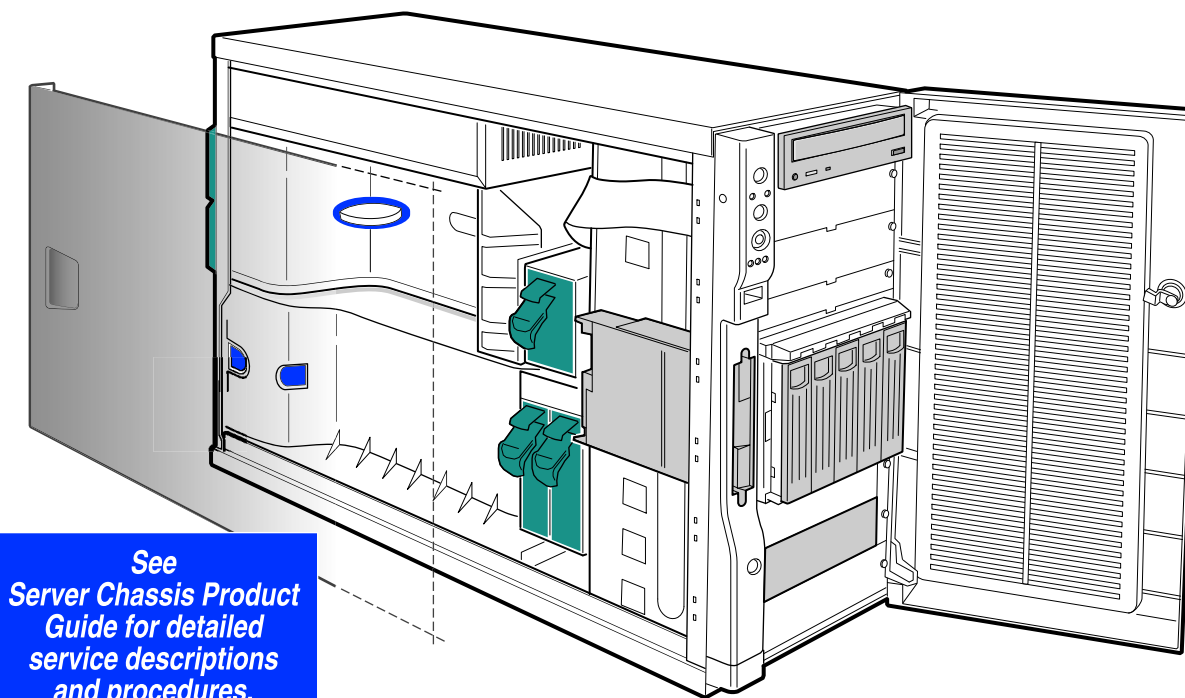


1. Remove the EMI shield at the position you have selected for the CD-ROM drive.
2. Replace EMI shields at positions not containing devices.

### C Install CD-ROM Drive



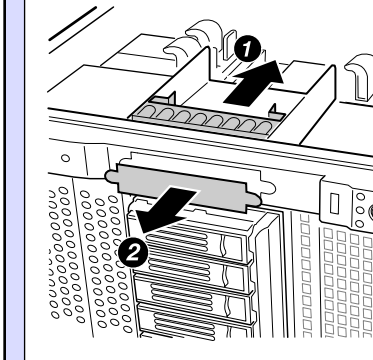
Install device cage using five screws removed in step A.



See  
Server Chassis Product  
Guide for detailed  
service descriptions  
and procedures.

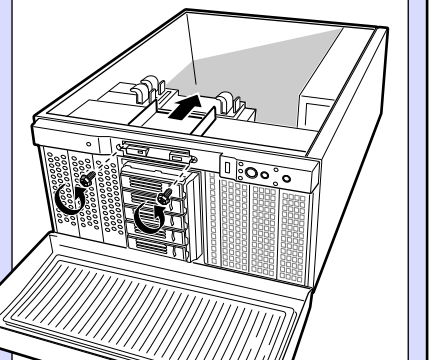
## 7 Installing a Floppy Drive

### A Remove Shield and Cover



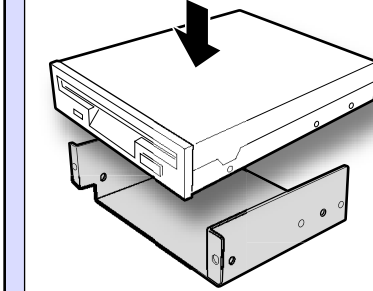
1. Remove the EMI Shield.
2. Remove the Filler Panel.

### B Remove Drive Carrier

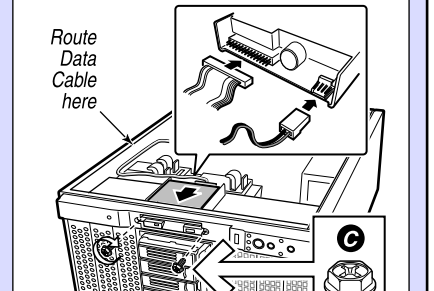


Remove two screws and slide carrier out as shown.

### C Install Drive into Carrier



### D Install Drive/Carrier Assembly

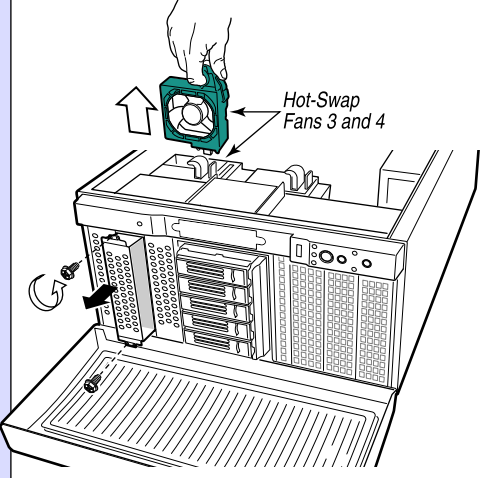


1. Connect the drive cables.
2. Install the carrier.
3. Route the data cable as shown.

Go to SIDE 2

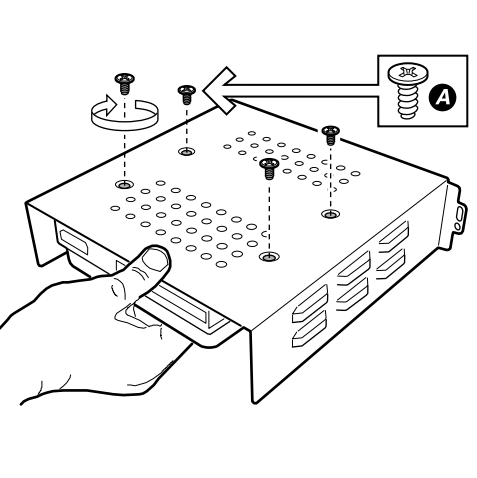
## 9 Installing Fixed Hard Drive

### A Remove 5.25 inch Drive Bay

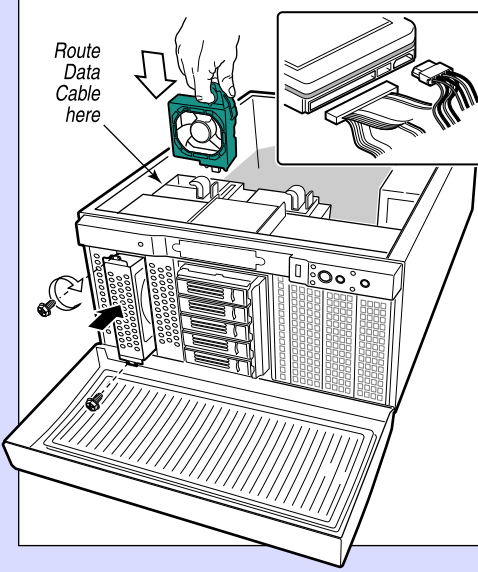


1. Remove hot-swap fans 3 and 4.
2. Remove the drive bay screws.

### B Install Drive into Drive Bay



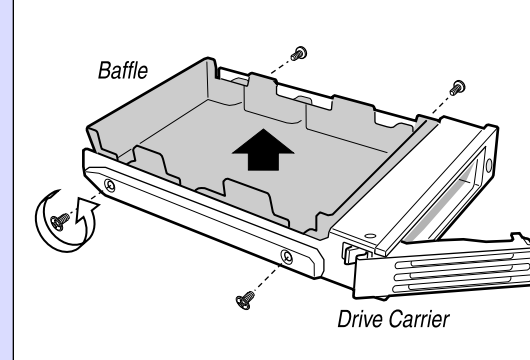
### C Install Drive Bay/Fans/Attach Cables



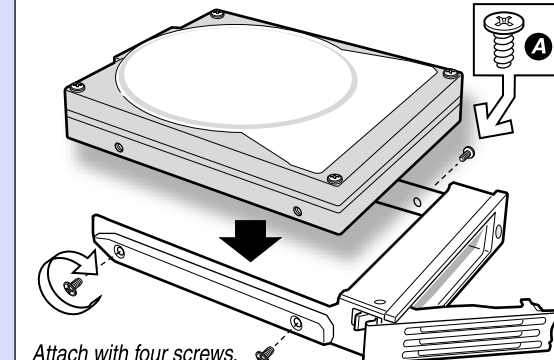
1. Install drive bay and connect drive cables.
2. Route data cable between the plastic fan carrier and the chassis as shown.
3. Replace fans 3 and 4.

## 8 Installing Hot-Swap SCSI Hard Disk Drive[s]

### A Remove the Plastic Air Baffle

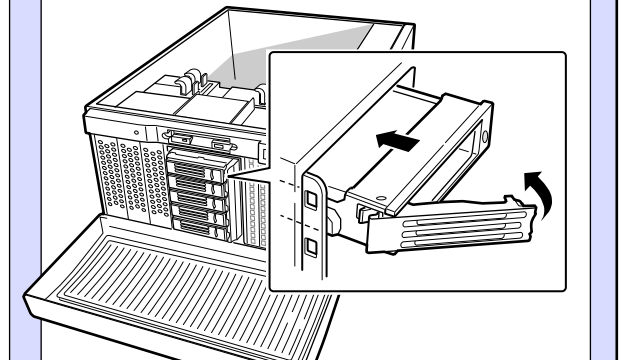


### B Install SCSI Drive into Carrier



Attach with four screws.

### C Install Into Drive Bay



intel®