

Compaq ProLiant[®] DL360 Server Overview

Description

This new ProLiant DL360 expandable server features an Intel Pentium III 1.0-gigahertz (GHz) processor and can be upgraded to dual processing. New features of this server include the latest 1-GHz processor, an integrated dual channel Wide Ultra3 SCSI controller, additional 64-bit PCI slots and support for USB ports. The server also has a new system board, new fan assembly with new motor, new heat sinks for 1.0-GHZ processors, and new EMI gaskets.

New Models

The following table provides the part number and configuration information for the updated ProLiant DL360.

Specification	Description
Model	DL360R01 P1000-256KB
Form Factor	Rack (1U, 1.75-inch, 4.45 centimeters)
Processor Speed	1-GHz
Option Part Number	210640-001

New Features

This model brings the following changes to the ProLiant DL360 Pentium III line:

- Intel Pentium III 1.0-GHz Processor
- 256-KB Level 2 error checking and correcting (ECC) cache
- 128 MB of PC133-MHz registered ECC SDRAM, expandable to 4 GB
- Two embedded Compaq NC3163 Fast Ethernet network interface controllers (NICs) with 10/100 Wake On LAN (WOL)
- Integrated Smart Array Controller and internal hot-plug hard drive capacity up to 72.8 GB
- 24X CD-ROM/diskette drive assembly containing one low-profile CD-ROM drive and one low-profile 3.5-inch, 1.44-MB diskette drive
- Multiple deployment options including Compaq, third party, telco racks as well as a desktop stackable chassis

Upgrade Options

Table 2 lists unique option kits that are compatible for the ProLiant DL360s.

Table 2—Unique Options Kits	
Description	Part Number
Pentium III P1000-256KB Processor Option Kit <i>Note: When upgrading 550 MHz, 800 MHz, 866 MHz, 933 MHz models to a 1.0- GHz model, the Compaq ProLiant DL360 P1000 Upgrade Kit (225352-B21 is required)</i>	210642-B21
P933 Pentium III 256KB Processor Option Kit <i>Note: When upgrading 550 MHz or 800 MHz, to 866 MHz or 933 MHz models to a 1.0-GHz model, the Compaq ProLiant DL360 Upgrade Kit (217222-B21 is required)</i>	210647-B21
P866 Pentium III 256KB Processor Option Kit <i>Note: When upgrading 550 MHz or 800 MHz, to 866 MHz or 933 MHz models to a 1.0-GHz model, the Compaq ProLiant DL360 Upgrade Kit (217222-B21 is required)</i>	202897-B21
P800 Pentium III 256K Processor Option Kit	175342-B21
Compaq ProLiant DL360 P1000 Upgrade Kit <i>Note: When upgrading 550 MHz, 800 MHz, 866 MHz, 933 MHz models to a 1.0- GHz model, the Compaq ProLiant DL360 P1000 Upgrade Kit (225352-B21 is required)</i>	225352-B21
Compaq ProLiant DL360 Upgrade Kit <i>Note: When upgrading 550 MHz or 800 MHz, to 866 MHz or 933 MHz models to a 1.0-GHz model, the Compaq ProLiant DL360 Upgrade Kit (217222-B21 is required)</i>	217222-B21

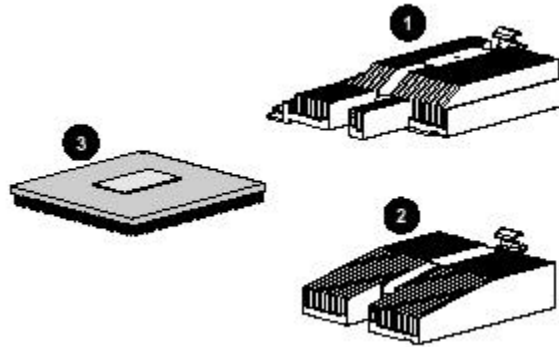
Spare Parts

Table 3 lists the unique spare parts for this new model of the ProLiant DL360 server.

Table 2—Spare Parts for the New Model of the ProLiant DL360 Server	
Description	Spare Part Number
Heatsink set, 1-GHz	230270-001
Processor, 1-GHz with heatsink	224927-001
System I/O board, 1-GHz	224928-001

ProLiant DL360 Pentium III 1.0-GHz Processor Installation Procedures

Kit Contents



- Heat sink for processor socket 1 with integrated thermal pad and heat sink clip.
- Heat sink for processor socket 2 with integrated thermal pad and heat sink clip.
- Pentium III processor.

Warnings and Cautions

Warning

- ▲ Always remove all power from your system before installing any hardware option to your server.
-

Warning

- ▲ To reduce the risk of personal injury from hot surfaces, allow the internal system components to cool before touching
-

Caution

- ▲ Setting your Power On/Standby switch to the standby position removes power from most areas of the server; this process may take 30 seconds. Portions of the power supply and some internal circuitry remain active until the AC power cord is removed.
-

Caution

- ▲ Ensure that you have installed the 1.0-GHz System Upgrade Kit (P/N 000000-001) before installing Pentium III 1-GHz processors. Failure to install the upgrade kit can result in damage to the processors and the system.
-

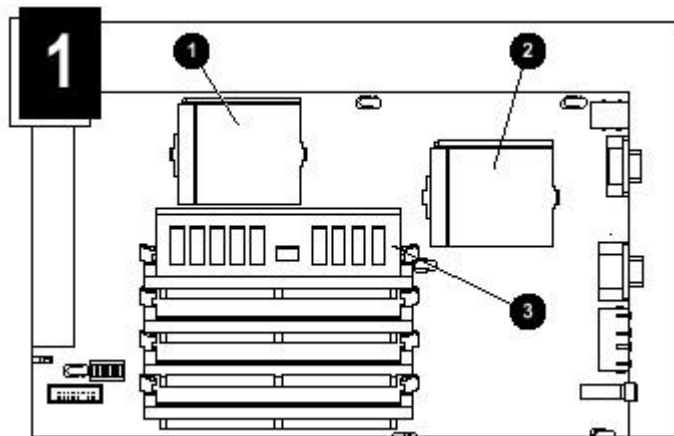
Important

- ▲ Always set the server Power On/Standby switch to the standby position and remove the power cord before installing options, upgrades, or replacements.
-

Preparing the Server for Installation

1. Back up your server data.
2. Flash the ROM with the most recent ROMPaq. For the most recent ROMPaq, visit the Compaq website:
<http://www.compaq.com/support/files>
3. Shut down the operating system as directed in your operating system instructions.
4. Put the server in standby mode by pressing the Power On/Standby switch.
5. Disconnect the power cord and peripheral cables.
6. Remove the server from the rack. Refer to the *Compaq ProLiant DL360 Setup and Installation Guide* or the documentation that shipped with your rack deployment option.
7. Place the server on a flat, level workspace.
8. Remove the access panel.

Installing the Processor



- Processor socket 1
- Processor socket 2
- DIMM socket 1



Important

If you are only installing a processor in processor socket 2, you can skip step 2

2

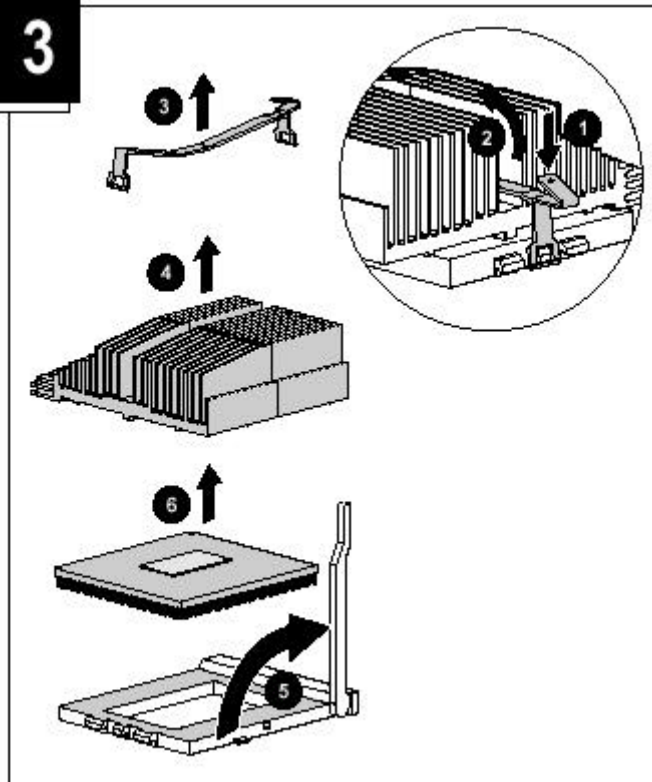
Remove the DIMM in DIMM socket 1.

Caution

Never reuse or reinstall a used heat sink after removal. The thermal material on the bottom of the heat sink is for one-time use only. Used heat sinks do not provide proper heat dissipation and can cause System failure.

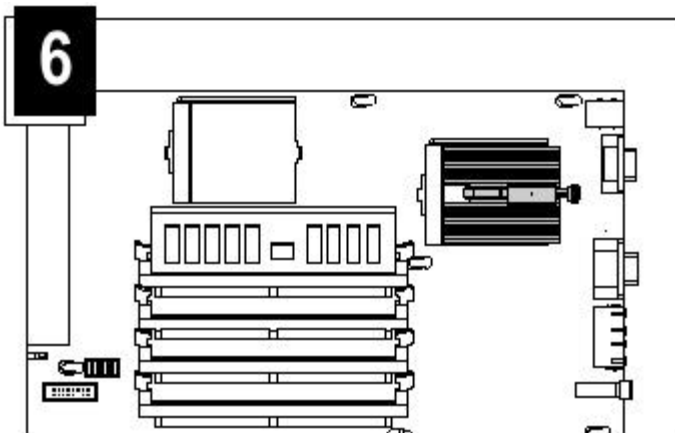
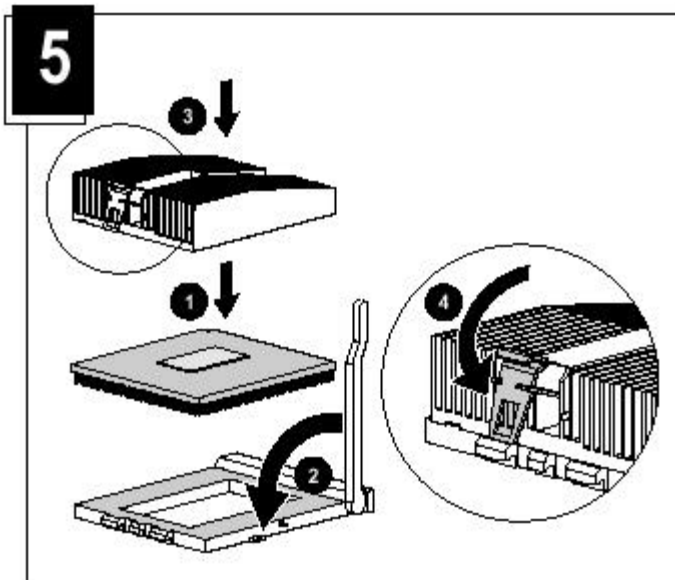
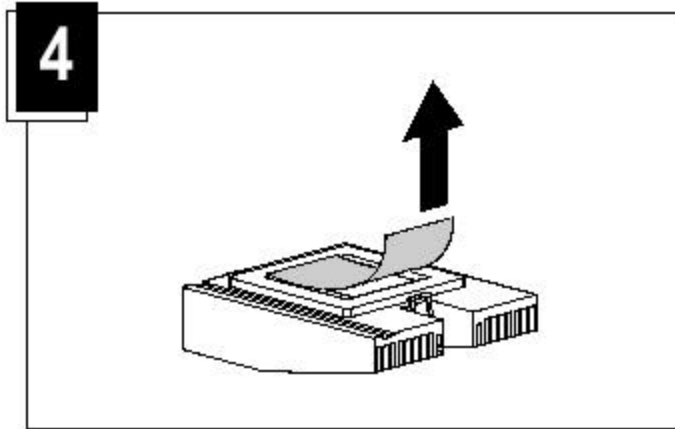
Note

Step 3 applies only to existing 550, 800, 866, and 933-MHz processors

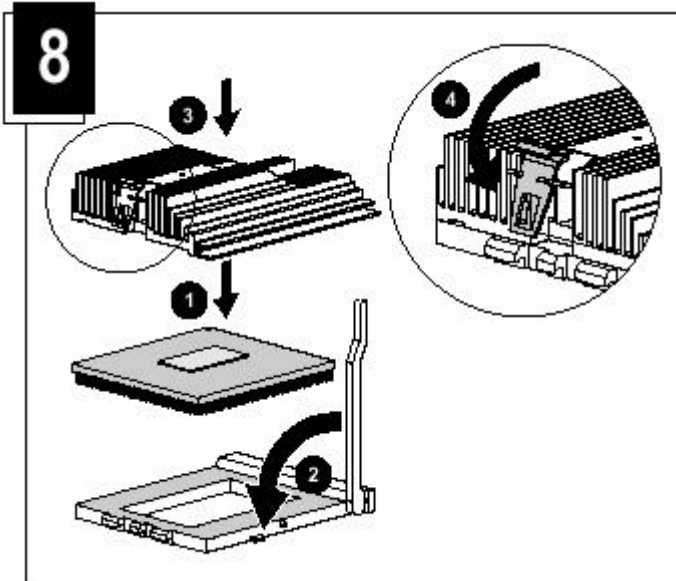
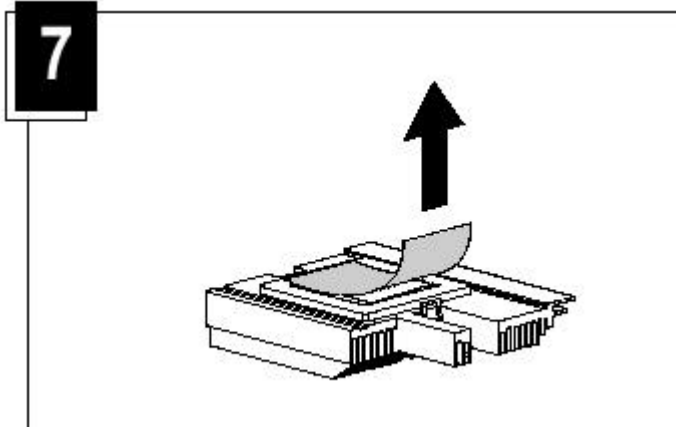
3

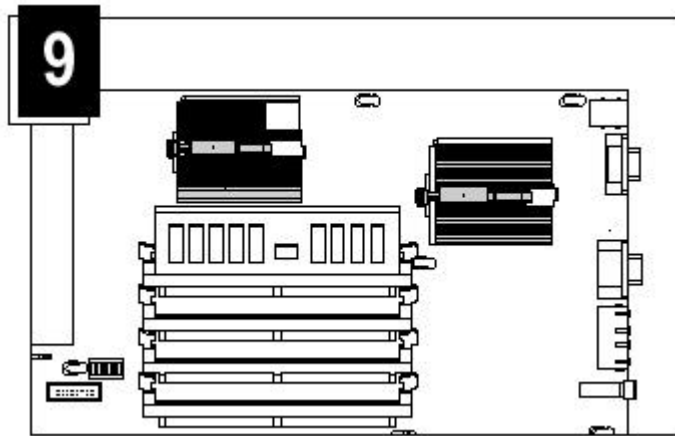
Important

Discard the used heat sink.



Note
▲ If you are only installing a processor for socket 2, you can skip steps 7 through 10.





Caution

- ▲ Processor socket 1 must always be populated to ensure proper system operation.
-

Caution

- ▲ Do not reuse heat sinks. Always install a new heat sink on the processor to ensure proper thermal dissipation.
-

Note

- ▲ The system automatically detects and configures processor settings.
-



Install DIMM in DIMM socket 1.

Preparing the Server for Operation

1. Install the access panel.
2. Install the server in the rack. Refer to the *Compaq ProLiant DL360 Setup and Installation Guide* or the documentation that shipped with your rack deployment option.
3. Connect the power cord and peripheral cables.
4. Press the **Power On/Standby** switch to power up the server.
5. Installation is complete.

Troubleshooting

If you receive the following error message, you did not follow the directions for flashing the ROM:

“Error XXXX: ROM is corrupt”

You must now enable the server’s disaster recovery mode, and attempt to regain system functionality.

▲ Important

Before performing this operation, refer to the *Compaq Servers Troubleshooting Guide* for complete instructions on disaster recovery.

To enable disaster mode, set configuration switches 1, 4, 5, and 6 on the system configuration switch to **on**.

