

# Compaq Evo D300v

## Illustrated Parts Map

Compaq Evo Desktop Family of Personal Computers  
Microtower Models, Pentium 4 Processor



© 2002 Compaq Information Technologies Group, L.P.

Compaq, the Compaq logo, and Evo are trademarks of Compaq Information Technologies Group, L.P.

Intel, Pentium, and Celeron are trademarks of Intel Corporation in the United States and other countries.

All other product names mentioned herein may be trademarks of their respective companies.

Compaq shall not be liable for technical or editorial errors or omissions contained herein. The information in this document is provided "as is" without warranty of any kind and is subject to change without notice. The warranties for Compaq products are set forth in the express limited warranty statements accompanying such products. **Nothing herein should be construed as constituting an additional warranty.**

April 2002

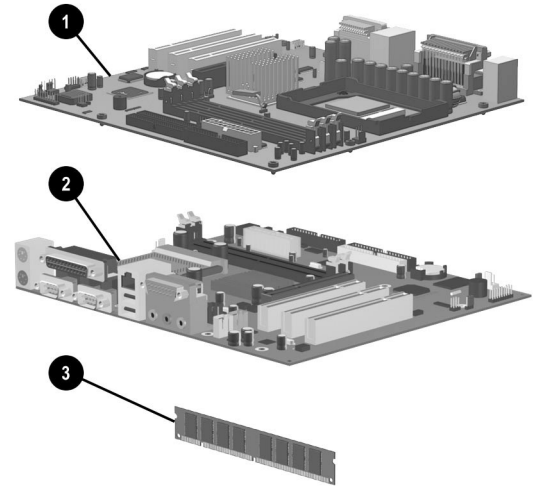
Document Part Number 268196-002



Spare Part Number 268318-001



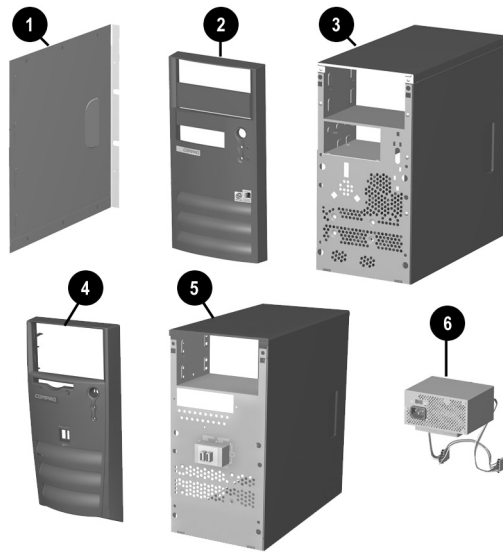
# COMPAQ



### Standard and Optional Boards

|   |   |            |
|---|---|------------|
| 1   | System board, Type 1, with alcohol pad and thermal grease | 263997-001 |
| 2   | System board, Type 2, with alcohol pad and thermal grease | 280318-001 |
| 3   | Memory module, 128 MB                                     | 170081-001 |
| Intel Pentium 4 Processor with alcohol pad and thermal grease |   |            |
| *   | 1.6 GHz   | 255434-001 |
| *   | 1.7 GHz   | 252919-001 |
| *   | 1.8 GHz   | 255435-001 |
| Other Cards   |   |            |
| *   | Modem, V.90   | 166358-002 |

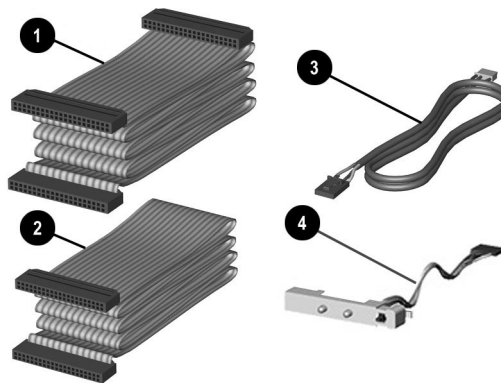
\* Not shown



### System Unit

|   |                                      |            |
|---|--------------------------------------|------------|
| * | Access Panel, Type 1 chassis         | Not spared |
| 1 | Access Panel, Type 2 chassis         | 257659-001 |
| 2 | Front bezel with bezel blank, Type 1 | 251617-001 |
| 3 | Chassis assembly, Type 1             | Not spared |
| 4 | Front bezel with bezel blank, Type 2 | 280560-001 |
| 5 | Chassis assembly, Type 2             | Not spared |
| 6 | Power supply, PFC, 250W              | 263999-001 |
| * | Power supply, 250W                   | 263998-001 |

\* Not shown



### Cables

|   |  |            |
|---|--|------------|
| 1 | Diskette drive cable, Type 1                 | 271723-001 |
| * | Diskette drive cable, Type 2 (90110126)      | 253110-001 |
| 2 | Hard drive data cable, Type 1                | 271721-001 |
| * | CD-ROM cable, Type 1                         | 271722-001 |
| * | Hard drive & CD-ROM cable, Type 2 (90110127) | 253111-001 |
| 3 | Audio cable, Type 1                          | 271720-001 |
| * | Audio cable, Type 2 (90110125)               | 251621-001 |
| * | AC Power cord - U.S.                         | 142766-001 |
| * | AC Power cord - People's Republic of China   | 292657-AA1 |
| * | AC Power cord - U.K.                         | 121259-001 |
| * | AC Power cord - Brazil/Argentina             | 158878-201 |
| 4 | LED power switch assembly                    | 251620-001 |

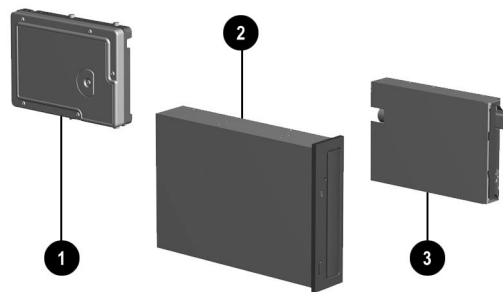
\* Not shown

### Miscellaneous Screws, Types 1 & 2 (not illustrated)

|                                      |            |
|--------------------------------------|------------|
| Miscellaneous screw kit, includes:   | 253112-001 |
| #6-32 x 1/4" long hex head (4 ea)    |            |
| #6-32 x 3/16" long round head (3 ea) |            |
| M3 x 6 mm long hex head (14 ea)      |            |

### Miscellaneous Screws, Type 3 (not illustrated)

|   |            |
|---|------------|
| Miscellaneous screw kit, includes:                      | 280561-001 |
| T15 Torx slotted #6-32 x 0.236" long hex head (4 ea)    |            |
| T15 Torx, slotted #6-32 x 0.157" long round head (4 ea) |            |
| T15 Torx slotted M3 x 6 mm long hex head (14 ea)        |            |

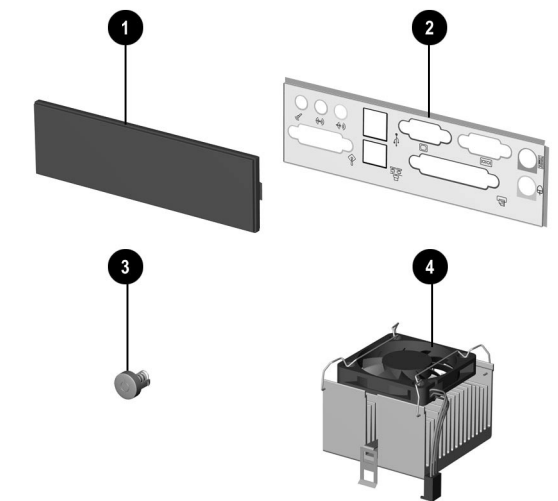


### Mass Storage Devices

|   |                            |            |
|---|----------------------------|------------|
| 1 | 20-GB hard drive, 5400 RPM | 197799-001 |
| 2 | 48X CD-ROM drive           | 253105-001 |
| 3 | Diskette drive, 3.5-inch   | 251629-001 |

### Documentation and Packaging (not illustrated)

|                             |            |
|-----------------------------|------------|
| Service Reference Guide     | 259968-001 |
| Quick Troubleshooting Guide | 153837-001 |
| Illustrated Parts Map       | 268318-001 |
| Return kit                  | 207742-001 |



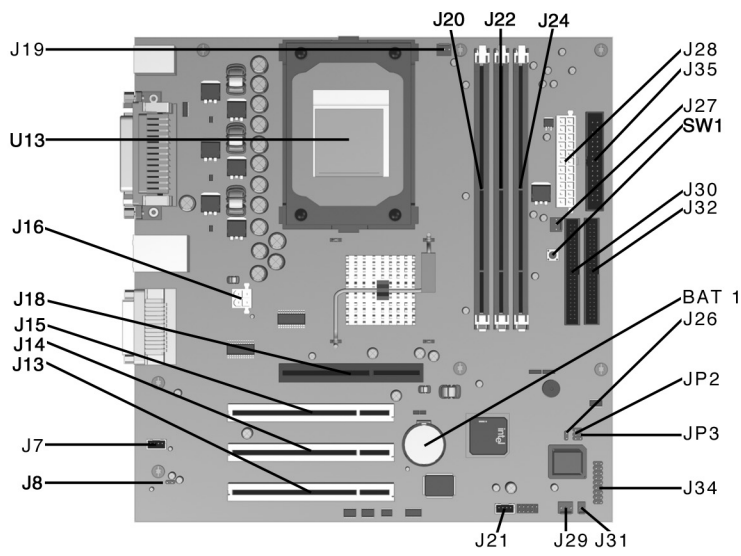
### Miscellaneous Parts

|   |                                  |            |
|---|----------------------------------|------------|
| 1 | Bezel blank                      | 251618-001 |
| 2 | I/O panel                        | 273442-001 |
| 3 | Power button with spring         | 251619-001 |
| 4 | Heatsink, up to 2.4 GHz          | 268155-001 |
| * | Battery, real-time-clock         | 153099-001 |
| * | Mouse, 2-button, with shield CBI | 237241-001 |

\* Not shown

### Keyboards (not illustrated)

|                            |            |
|----------------------------|------------|
| United States              | 251623-001 |
| Canadian French            | 251623-121 |
| Latin American Spanish     | 251623-161 |
| Japanese (Kanji)           | 251623-291 |
| People's Republic of China | 251623-AA1 |
| Taiwan                     | 251623-AB1 |



#### System Board Connectors and Jumpers, Type 1 Chassis

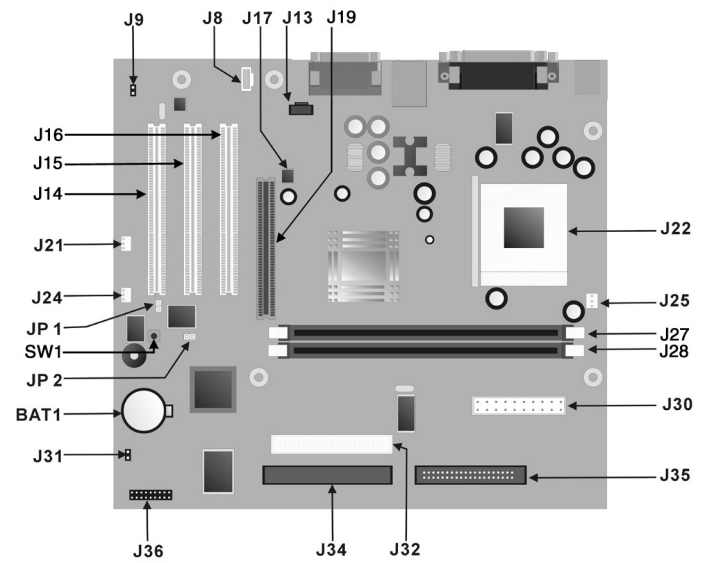
|             |  |       |                                   |
|-------------|--|-------|-----------------------------------|
| BAT1        | External battery                       | J28   | Main power connector              |
| J7          | Aux audio in connector                 | J29   | Chassis fan                       |
| J8          | Mono audio out                         | J30   | Secondary IDE connector           |
| J12         | CD audio in connector                  | J31   | SCSI LED connector                |
| J13, 14, 15 | PCI card sockets                       | J32   | Primary IDE connector             |
| J16         | ATX 12V                                | J34   | Power-On switch and LED connector |
| J18         | AGP card socket                        | J35   | Diskette drive connector          |
| J19         | Processor (CPU) fan                    | JP2*  | ROM BIOS lock                     |
| J20, 22, 24 | Memory slots                           | JP3** | Safe mode                         |
| J21         | Wake on LAN connector                  | SW1   | CMOS button                       |
| J26         | Chassis intrusion connector (not used) | U13   | Processor                         |
| J27         | System fan (power supply)              |       |                                   |

\*Default shipping configuration is with Pins 2 & 3 jumpered.  
\*\*Default shipping configuration is with Pins 1 & 2 jumpered.

#### Interrupts, Type 1

| IRQ | System Resource   | IRQ | System Resource  |
|-----|---|-----|--|
| NMI | I/O channel check   | 8   | Real-time Clock  |
| 0   | Reserved, interval timer                                    | 9   | Reserved for ICH2 system management bus                  |
| 1   | Reserved, keyboard buffer full                              | 10  | User available   |
| 2   | Reserved, cascade interrupt from slave PIC                  | 11  | User available   |
| 3   | Serial Port* (COM 2)(user available if COM2 is not present) | 12  | Onboard mouse port (user available if not present)       |
| 4   | Serial Port* (COM 1)  | 13  | Reserved, math coprocessor                               |
| 5   | LPT2 (Plug and Play option)/audio /user available           | 14  | Primary IDE controller (user available if not present)   |
| 6   | Diskette drive controller                                   | 15  | Secondary IDE controller (user available if not present) |
| 7   | Parallel Port* (LPT 1)                                      |     |  |

\*Default, but can be changed to another IRQ.



#### System Board Connectors and Jumpers, Type 2 Chassis

|             |  |       |                                   |
|-------------|--|-------|-----------------------------------|
| BAT1        | External battery                       | J28   | Main power connector              |
| J7          | Aux audio in connector                 | J29   | Chassis fan                       |
| J8          | Mono audio out                         | J30   | Secondary IDE connector           |
| J12         | CD audio in connector                  | J31   | SCSI LED connector                |
| J13, 14, 15 | PCI card sockets                       | J32   | Primary IDE connector             |
| J16         | ATX 12V                                | J34   | Power-On switch and LED connector |
| J18         | AGP card socket                        | J35   | Diskette drive connector          |
| J19         | Processor (CPU) fan                    | JP2*  | ROM BIOS lock                     |
| J20, 22, 24 | Memory slots                           | JP3** | Safe mode                         |
| J21         | Wake on LAN connector                  | SW1   | CMOS button                       |
| J26         | Chassis intrusion connector (not used) | U13   | Processor                         |
| J27         | System fan (power supply)              |       |                                   |

\*Default shipping configuration is with Pins 2 & 3 jumpered.  
\*\*Default shipping configuration is with Pins 1 & 2 jumpered.

#### Interrupts, Type 2

| IRQ | System Resource   | IRQ | System Resource  |
|-----|---|-----|--|
| NMI | I/O channel check   | 8   | Real-time Clock  |
| 0   | Reserved, interval timer                                    | 9   | Reserved for ICH2 system management bus                  |
| 1   | Reserved, keyboard buffer full                              | 10  | User available   |
| 2   | Reserved, cascade interrupt from slave PIC                  | 11  | User available   |
| 3   | Serial Port* (COM 2)(user available if COM2 is not present) | 12  | Onboard mouse port (user available if not present)       |
| 4   | Serial Port* (COM 1)  | 13  | Reserved, math coprocessor                               |
| 5   | LPT2 (Plug and Play option)/audio /user available           | 14  | Primary IDE controller (user available if not present)   |
| 6   | Diskette drive controller                                   | 15  | Secondary IDE controller (user available if not present) |
| 7   | Parallel Port* (LPT 1)                                      |     |  |

\*Default, but can be changed to another IRQ.

#### Clearing CMOS and Passwords

The computer's configuration (CMOS) may occasionally be corrupted. If it is, it is necessary to clear the CMOS memory using switch SW1.

To clear and reset the configuration, perform the following procedure:

1. Prepare the computer for disassembly.

2. Remove the access panel.
3. Press the CMOS button located on the system board and keep it depressed for 5 seconds.
4. Replace the access panel.
5. Turn the computer on.
6. Run Computer Setup (delete-utility) to reconfigure the system.

\*When the CMOS button is pushed both the power-on password and the setup password become invalid because both are stored in the configuration memory. You will need to reset the passwords.

#### Setting the Supervisor and Power-On Passwords

A. Setting the Supervisor Password provides access protection for the Computer Setup utility.

1. Turn off the computer, restart, then hold down the DEL key until the Computer Setup utility begins.
2. Select "Set Supervisor Password," press enter, and follow the screen instructions.
3. The password will be enabled after saving settings and exiting the utility.

B. Setting a Power-On Password.

NOTE: A Supervisor Password must have been previously set. That same password will be used for the Power-On Password.

1. Turn on the computer, then hold down the DEL key until the Computer Setup utility begins.
2. Select Advanced CMOS Setup--> Password Check.
3. Select "Always" from the Available Options list.
4. The password will be enabled after saving settings and exiting the utility.

NOTE: Clearing passwords clears both the Supervisor and Power-On Passwords, but does not clear the "Always" option. To reset only the Supervisor Password, change "Always" to "Setup" on the available Options list.

NOTE: Clearing CMOS clears the Power-On Password. It does NOT clear the Supervisor Password.