

Compaq Evo Desktop D300 and D500 Desktop Models

Illustrated Parts Map

© 2001 Compaq Computer Corporation.

Compaq, the Compaq logo, and Evo are trademarks of Compaq Information Technologies Group, L.P. All other product names mentioned herein may be trademarks of their respective companies.

Intel, Pentium, and Celeron are trademarks of Intel Corporation in the United States and other countries.

Compaq shall not be liable for technical or editorial errors or omissions contained herein. The information in this document is provided "as is" without warranty of any kind and is subject to change without notice. The warranties for Compaq products are set forth in the express limited warranty statements accompanying such products. Nothing herein should be construed as constituting an additional warranty.

November 2001

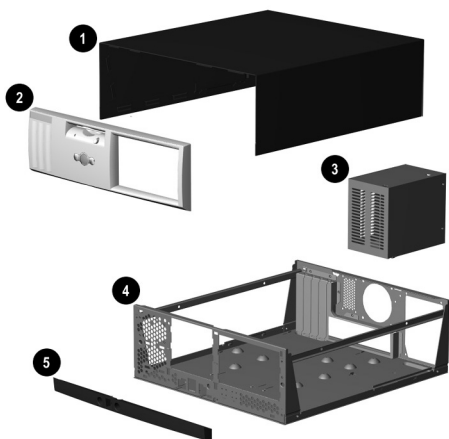
Document Part Number 265763-002



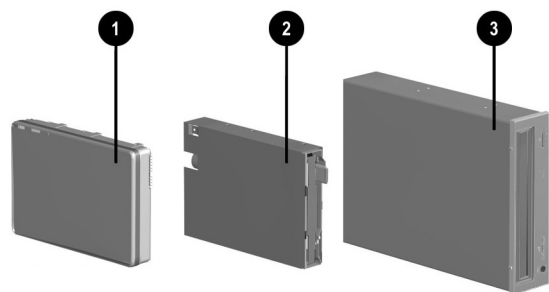
Spare Part Number 265814-001



COMPAQ



System Unit		
1	Computer cover	Not spared
2	Front bezel assembly	257401-001
3	Power supply, PFC, dual voltage	244166-001
4	Chassis/basepan	Not spared
5	Front panel I/O accent	254288-001

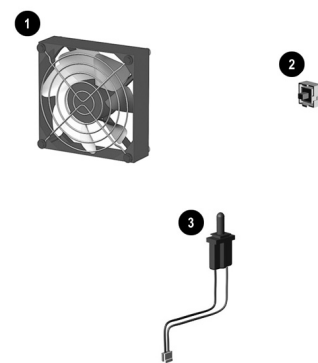


Mass Storage Devices		
1	20 GB, UATA, (100/5400) Quiet hard drive	254451-001
*	20 GB, UATA, (100/7200) Quiet hard drive	180476-001
	20 GB, UATA, (100/7200) Quiet hard drive	260671-001
*	40 GB, UATA, (100/5400) Hard drive	236921-001
*	40 GB, UATA, (100/7200) Hard drive	202904-001
*	40 GB, UATA, (100/7200) Hard drive	260672-001
*	60 GB, UATA, (100/7200) Hard drive	232022-001
*	60 GB, UATA, (100/7200) hard drive	260673-001
*	36 GB U3 SCSI (10K) hard drive	192197-001
2	Diskette drive w/o button, carbon	237180-001
3	48X CD-ROM drive, carbon	232320-001
*	10/10/40X CD-RW drive, carbon	246691-001
*	16X DVD-ROM drive, carbon	232319-001
*	Zip 250 drive, carbon	232317-001

*Not shown

Documentation and Software (not illustrated)

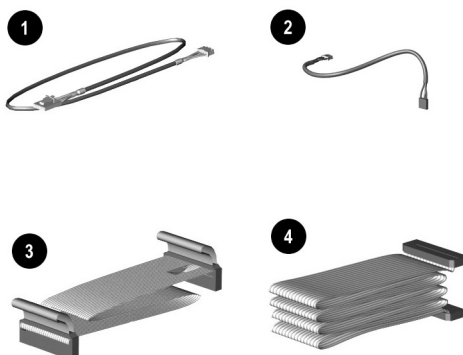
Illustrated Parts Map	265814-001
Service Reference Guide	259968-001
Quick Troubleshooting Guide	153837-001



Miscellaneous Parts

1	Fan, chassis	265953-001
2	Power switch holder	224849-001
*	Battery	153099-001
*	Speaker	192518-001
*	Mouse, 2-button carbon	237241-001
*	Solenoid	201485-001
3*	Hood intrusion sensor (140466-004)	267529-001
*	Rubber foot (4 ea)	266051-001
*	Front panel I/O accent	254288-001
	Air baffle (249633-001)	266194-001
*	Heatsink with fan, retaining clip, and alcohol pad	254285-001
*	Return Kit with buns (U.S.)	265808-001
	Miscellaneous plastics kit, includes:	257051-001
*	Bezel blank (166775-002)	
*	LED holder (1 ea) (112589-001)	
*	Power switch spring (1 ea) (166837-002)(not used this product)	
*	Power supply cable clip (1 ea) (172948-001)	

*Not shown



Cables

1	Audio cable (use with 256210-001)	255440-001
2	USB cable (use with 256210-001)	255439-001
3	Diskette drive cable	257309-001
4	UATA hard drive cable, 10" (108950-037)	257047-001
*	UATA hard drive cable, 14" (108950-038)	257048-001
*	Power switch cable with switch and LEDs	257049-001
*	Solenoid cable Assy (244168-001)	255438-001
*	SCSI LED cable	247485-001
*	SCSI data cable	158277-001

*Not shown

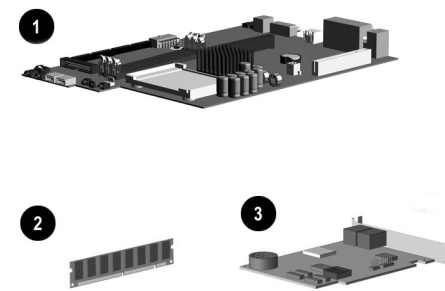
Keyboards (not illustrated)

Internet		164996-xxx	
Basic Smart Card		240441-xxx	
Arabic	-171	International	**
Belgian	-181	Latin American Spanish	-161
Brazilian Portuguese	-201	Norwegian	-191
BHCSY*	-B41	Polish	**
Czech	-221	Portuguese	-131
Danish	-081	Russian	-251
Dutch/Netherlands	**	Slovakian	-231
Finnish	-351	Spanish	-071
French	-051	Swedish	-101
French-Canadian	-121	Swiss	-111
German	-041	Taiwanese	-AB1
Greek	-151	Thai	-281
Hungarian	-211	Turkish	-141
Italian	-061	United Kingdom	-031
Japanese	-191	U.S.	-001
Korean (Hangul)	-AD1		

*Bosnia-Herzegovina, Croatia, Slovenia, and Yugoslavia
**Use -B31 for 240441-xxx, use -002 for 164996-xxx

Miscellaneous Screw Kit (not illustrated)

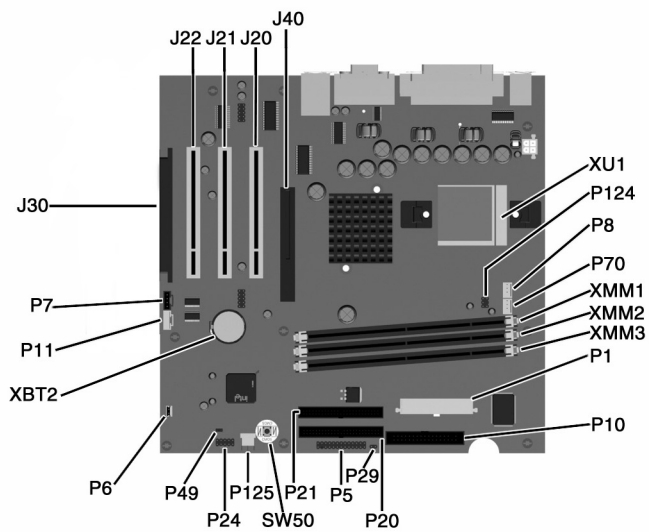
Miscellaneous Screw Kit, includes:	257050-001
6-32 x 1/4 hi-top, thread-forming screw with serrations (5 ea.) (192308-001)	
6-19 x 5/16 hi-top, taptite screw with captive washer (1 ea.) (114399-069)	
6-32 x 3/16 hi-top, thread-forming screw with serrations (4 ea.) (192308-003)	
6-32 x 3/16 button head tamper-resistant, taptite screw with serrations (1 ea.) (296769-002)	
.197 dia x 17 TPI x 0.5 lg, plastite flathead, Phillips (4 ea) (247481-001)	
M3 x 5 mm hi-top, taptite screw with serrations (4 ea) (247348-001)	



Standard and Optional Boards

1	System board	252608-001
Graphics Controllers		
*	nVIDIA GeForce 2 MX graphics card, 16 MB memory	253127-001
*	nVIDIA GeForce 2 MX graphics card, 32 MB memory	251291-001
*	Vanta 16 MB graphics card, AGP, LP	253126-001
*	Matrox G200 MMS graphics card	171975-001
*	Matrox G450 graphics card	203626-001
Memory Module 133MHz		
2	SDIMM, 64 MB	170080-001
*	SDIMM, 128 MB	170081-001
*	SDIMM, 256MB	192014-001
*	SDIMM, 512 MB	254283-001
Intel Pentium 4 Processor		
*	1.5 GHz	252918-001
*	1.6 GHz	255434-001
*	1.7 GHz	252919-001
*	1.8 GHz	255435-001
*	1.9 GHz	255436-001
*	2.0 GHz	252920-001
Other boards		
*	U3 SCSI controller	158364-001
*	Modem, PCI, Lucent v90	239411-001
3	NIC, 3COM	253951-001
	Front USB board	252610-001

*Not shown



System Board Connectors and Jumpers

J20-22	PCI slots	P21	Secondary IDE connector
J30	PCI Extension socket	P24	USB header
J40	AGP/AIMM connector	P29	SCSI LED connector
P1	Power supply connector	P49	Password jumper (Installed = Enabled, Removed = Cleared)
P5	Power button, Power LED, and HD LED connector	P70	CPU fan connector
P6	Speaker connector	P124	Hood lock solenoid connector
P7	CD-ROM audio connector	P125	Hood intrusion sensor
P8	Chassis fan connector	SW50	Clear CMOS button
P10	Diskette drive connector	XBT2	Battery
P11	Aux audio connector	XMM1-3	Memory sockets
P20	Primary IDE connector	XU1	Processor socket

System Hardware Interrupts

IRQ	System Function	IRQ	System Function
0	Timer Interrupt	8	Real-Time Clock
1	Keyboard	9	Available for PCI
2	Interrupt Controller Cascade	10	Available for PCI
3	Serial Port (COM B)	11	Available for PCI
4	Serial Port (COM A)	12	Mouse
5	Available for PCI	13	Coprocessor
6	Diskette Drive	14	Primary IDE Controller
7	Parallel Port (LPT 1)	15	Secondary IDE Controller

System Hardware DMA

DMA	System Function	DMA	System Function
0	Unused	4	DMA Controller Cascading
1	Unused	5	Unused
2	Diskette Drive	6	Unused
3	ECP Parallel Port LPT1 (Default; Alternate = DMA 0)	7	Unused

ICH Fixed I/O Registers

Port	Register Name
00h, 02h, 04h, 06h	Channel 0, 1, 2, 3 DMA Base & Current Address Register
C0h, C4h, C8h, CCh	Channel 4, 5, 6, 7 DMA Base & Current Address Register
01h, 03h, 05h, 07h	Channel 0, 1, 2, 3 DMA Base & Current Count Register
C2h, C6h, CAh, CEh	Channel 4, 5, 6, 7 DMA Base & Current Count Register
10h-1Fh	Aliased at 00h-0Fh
20h	Master PIC ICW1 Init. Cmd Word 1 Register Master PIC OCW2 Op Ctrl Word 2 Register Master PIC OCW3 Op Ctrl Word 3 Register
21h	Master PIC ICW2 Init. Cmd Word 1 Register Master PIC ICW3 Init. Cmd Word 1 Register Master PIC ICW4 Init. Cmd Word 1 Register Master PIC OCW1 Op Ctrl Word 3 Register
24h-25h, 28-29h, 2Ch-2Dh, 30h-31h, 34h-35h, 38h-39h, 3Ch-3Dh	Aliased at 20h-21h
40h	Counter 0 Interval Time Status Byte Format Counter 0 Counter Access Port Register
41h	Counter 1 Interval Time Status Byte Format Counter 1 Counter Access Port Register
42h	Counter 2 Interval Time Status Byte Format Counter 2 Counter Access Port Register
43h	Timer Control Word Register Timer Control Word Register Read Back Counter Latch Command
50h-53h	Aliased at 40h-43h
61h	NMI Status and Control Register
70h	NMI Enable Register Real-Time Clock (Standard RAM) Index Register
71h	Real-Time Clock (Standard RAM) Target Register
72h	Extended RAM Index Register
73h	Extended RAM Target Register
74h-75h	Aliased at 70h-71h
76h-77h	Aliased at 72h-73h or 70h-71h
80h, 84h-86h, 88h	Reserved Page Registers
81h, 82h, 83h	Channel 2, 3, 1 DMA Memory Low Page Register
89h, 8Ah, 8Bh	Channel 6, 7, 5 DMA Memory Low Page Register
8Ch-8Eh	Reserved Page Registers
8Fh	Refresh Low Page Register
91h-9Fh (except 92h)	Aliased at 81h-8Fh
92h	Fast A20 and INIT Register
A0h	Slave PIC ICW1 Init. Cmd Word 1 Register Slave PIC OCW2 Op Ctrl Word 2 Register Slave PIC OCW3 Op Ctrl Word 3 Register

ICH Fixed I/O Registers (Continued)

Port	Register Name
A1	Slave PIC ICW2 Init. Cmd Word 2 Register Slave PIC ICW3 Init. Cmd Word 3 Register Slave PIC ICW4 Init. Cmd Word 4 Register Slave PIC OCW1 Op Ctrl Word 1 Register
A4h-A5h, A8h-A8h, ACh-ADh, B0h-B1h, B4h-B5h, B8h-B9h, BCh-BDh	Aliased at A0h-A1h
B2h	Advanced Power Management Control Port Register
B3h	Advanced Power Management Status Port Register
C0h, C4h, C8h, CCh	Channel 4, 5, 6, 7 DMA Base and Current Address Register
C1h	Aliased at C0h
C5h	Aliased at C4h
C9h	Aliased at C8h
CDh	Aliased at CCh
C2h, C6h, CAh, CEh	Channel 4, 5, 6, 7 DMA Base and Current Count Register
C3h	Aliased at C2h
C7h	Aliased at C6h
CBh	Aliased at CAh
CFh	Aliased at Ceh
D0h	Channel 4-7 DMA Command Register Channel 4-7 DMA Status Register
D1h	Aliased at D0h
D4h	Channel 4-7 DMA Write Single Mask Register
D5h	Aliased at D4h
D6h	Channel 4-7 DMA Channel Mode Register
D7h	Aliased at D6h
D8h	Channel 4-7 DMA Clear Byte Pointer Register
D9h	Aliased at D8h
DAh	Channel 4-7 DMA Master Clear Register
DBh	Aliased at DAh
DCh	Channel 4-7 DMA Clear Mask Register
DEh	Aliased at DCh
DEh	Channel 4-7 DMA Write All Mask Register
DFh	Aliased at DEh
F0h	Coprocessor Error Register
170h-177h	PIO Mode Command Block Offset for Secondary Drive
1F0h-1F7h	PIO Mode Command Block Offset for Primary Drive
376h	PIO Mode Control Block Offset for Secondary Drive
3F6h	PIO Mode Control Block Offset for Primary Drive
4D0h	Master PIC Edge/Level Triggered Register
3F6h	PIO Mode Control Block Offset for Primary Drive
4D0h	Master PIC Edge/Level Triggered Register
4D1h	Slave PIC Edge/Level Triggered Register
400-47F	Super I/O
CF9h	Reset Control Register
F800-F87F	Reserved (power management)
FA00-FA3F	Reserved (GPIO management)
FC00-FC0F	Reserved (SMBUS controller)

Note: When the POS_DEC_EN bit is set, additional I/O ports get positively decoded by the ICH

System Memory Map

Size	Memory Address	System Function
512 KB	FFFFFFFFh to FFF80000	System ROM
2030 MB	FEDFFFFFFh to 80000000h	PCI Memory Expansion
2047 MB	7FFFFFFFh to 00100000h	HOST or PCI Memory Expansion
128KB	000FFFFFFh to 000E0000h	System ROM
128 KB	000DFFFFFFh to 000C0000h	PCI Option ROMs
128 KB	000BFFFFFFh to 000A0000h	Video RAM
640 KB	0009FFFFFFh to 00000000h	Base Memory

Clearing CMOS*

The computer's configuration (CMOS) may occasionally be corrupted. If it is, it is necessary to clear the CMOS memory using jumper SW50

To clear and reset the configuration, perform the following procedure:

1. Prepare the computer for disassembly.

CAUTION: The power cord must be disconnected from the power source before pushing the Clear CMOS Button (NOTE: All LEDs on the board should be OFF). Failure to do so may damage the system board

2. Remove the access panel.
3. Press the CMOS button located on the system board and keep it depressed for 5 seconds.
4. Replace the access panel.
5. Turn the computer on.
6. Run F10 Computer Setup (delete-utility) to reconfigure the system.

*When the CMOS button is pushed or the jumper is removed, both the power-on password and the setup password become invalid because both are stored in the configuration memory. You will need to reset the passwords.

Disabling or Clearing the Power-On and Setup Passwords*

1. Turn off the computer and any external devices, and disconnect the power cord from the power outlet.
2. Remove the access panel.
3. Locate the header and jumper labeled E49.
4. Remove the jumper from pins 1 and 2. Place the jumper over pin 2 only, in order to avoid losing it.
5. Replace the access panel.
6. Plug in the computer and turn on power to all equipment. Allow the operating system to start. (Placing the jumper on pin 2 clears the current passwords and disables the password features.)
7. To re-enable the password features, repeat steps 1-3, then replace the jumper on pins 1 and 2.
8. Repeat steps 5-6, then establish new passwords.

Refer to the Computer Setup (F10 Setup) instructions to establish new passwords.

*When the CMOS button is pushed or the jumper is removed, both the power-on password and the setup password become invalid because both are stored in the configuration memory. You will need to reset the passwords