

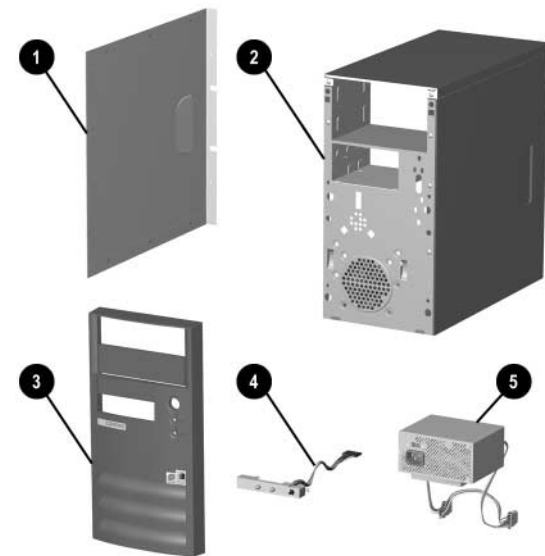
# Compaq Evo D300v

Illustrated Parts Map

Compaq Evo Desktop Family of Personal Computers  
Microtower Models



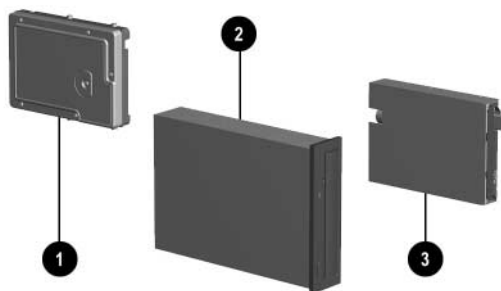
**COMPAQ**



### System Unit

1	Access Panel	Not spared
2	Chassis assembly	Not spared
3	Front bezel with bezel blank	251617-001
4	LED power switch assembly	251620-001
5	Power supply, PFC, 145W	251625-001
*	Power supply, 145W	251626-001

\* Not shown



### Mass Storage Devices (not illustrated)

1	20-GB Hard drive	253106-001
2	Diskette drive, 3.5-inch	251629-001
3	48X CD-ROM drive	253105-001

### Documentation and Packaging (not illustrated)

Service Reference Guide	259968-001
Quick Troubleshooting Guide	153837-001
Illustrated Parts Map	260444-001
Return kit	207742-001

© 2001 Compaq Computer Corporation.

Compaq, the Compaq logo, and Evo are trademarks of Compaq Information Technologies Group, L.P.

Intel, Pentium, and Celeron are trademarks of Intel Corporation in the United States and other countries.

All other product names mentioned herein may be trademarks of their respective companies.

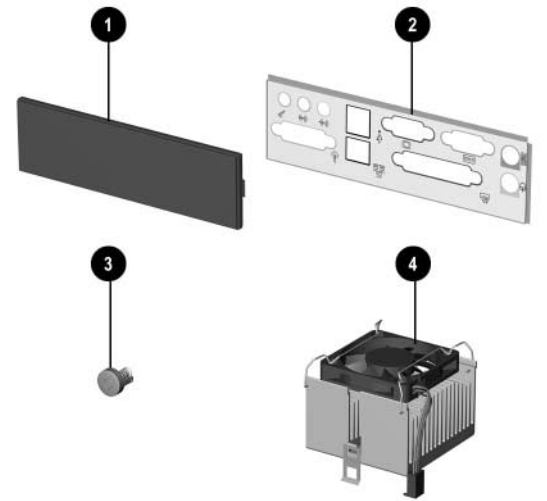
Compaq shall not be liable for technical or editorial errors or omissions contained herein. The information in this document is provided "as is" without warranty of any kind and is subject to change without notice. The warranties for Compaq products are set forth in the express limited warranty statements accompanying such products. **Nothing herein should be construed as constituting an additional warranty.**

September 2001

Part Number 234803-001



Spare Part Number 260444-001



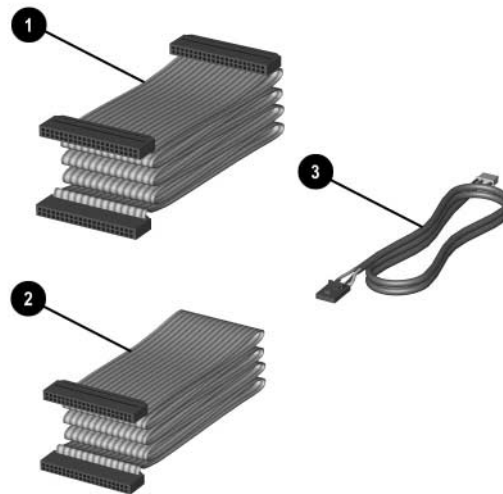
### Miscellaneous Parts

1	Bezel blank	251618-001
2	I/O panel	251615-001
3	Power button with spring	251619-001
4	Heatsink, below 933 MHz	251627-001
*	Heatsink, 933 MHz and above	251628-001
*	Heatsink thermal pad	251616-001
*	Battery, real-time-clock	153099-001
*	Mouse	253113-001

\*Not shown

### Keyboards (not illustrated)

United States	251623-001
Canadian French	251623-121
Japanese (Kanji)	251623-291
Latin American Spanish	251623-161

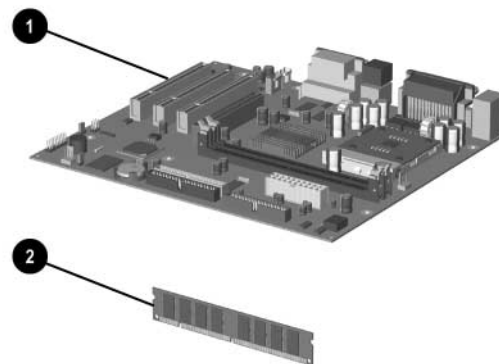


### Cables

1	Diskette drive cable (143218-0002)	253110-001
2	CD-ROM/hard drive data cable	253111-001
3	Audio cable	251621-001

### Miscellaneous Screws (not illustrated)

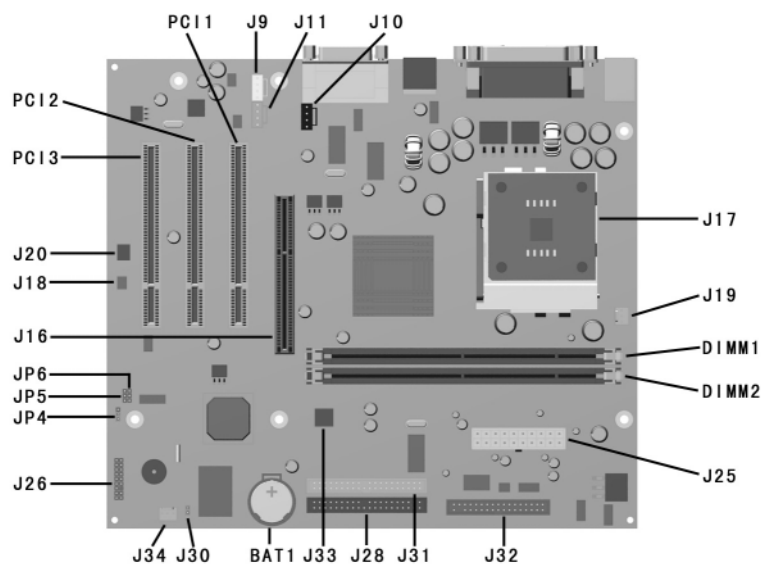
Miscellaneous screw kit, includes:	253112-001
#6-32 x 1/4" long, hex head (4 ea)	
#6-32 x 3/16" long, round head (3 ea)	
M3 x 6 mm long, hex head (14 ea)	



### Standard and Optional Boards

1	System board	251614-001
2	Memory module, 64 MB	253108-001
Intel Processor		
*	Celeron, 800 MHz, with heatsink	231853-001
*	Pentium III, 933 MHz, with heatsink	192010-001
*	Pentium III, 1.0 GHz, with heatsink	180738-001
*	Modem, V.90	166358-002

\* Not shown



### System Board Connectors and Jumpers

BAT1	External battery	J26	Power-On switch and LED connector
DIMM 1-2	Memory slots	J28	Primary IDE connector
J9	Aux audio in connector	J30	Chassis intrusion connector
J10	CD audio in connector	J31	Secondary IDE connector
J11	Modem in (audio) connector	J32	Diskette drive connector
J16	AGP card socket	J33	Chassis fan
J17	Processor	J34	System fan (power supply)
J18	Wake on Ring	JP4	ROM BIOS lock
J19	Processor (CPU) fan	JP5	Safe mode
J20	Wake on LAN connector	JP6	Clear CMOS jumper
J25	Main power connector	PC11-3	PCI card sockets

\*Default shipping configuration is with Pins 2 & 3 jumpered.  
 \*\*JP3 and JP4 settings should never be altered.

### Interrupts

IRQ	System Resource	IRQ	System Resource
NMI	I/O channel check	8	Real-time Clock
0	Reserved, interval timer	9	User available
1	Reserved, keyboard buffer full	10	User available
2	Reserved, cascade interrupt from slave PIC	11	User available
3	Serial Port* (COM 2)(user available if COM2 is not present)	12	Onboard mouse port (user available if not present)
4	Serial Port* (COM 1)	13	Reserved, math coprocessor
5	LPT2 (Plug and Play option)/audio /user available	14	Primary IDE controller (user available if not present)
6	Diskette drive controller	15	Secondary IDE controller (user available if not present)
7	Parallel Port* (LPT 1)		

\*Default, but can be changed to another IRQ.

### DMA Channel

Channel Number	Data Width	System Resource
0	8- or 16-bits	Audio
1	8- or 16-bits	Audio/parallel port
2	8- or 16-bits	Diskette drive
3	8- or 16-bits	Parallel port (for ECP or EPP)/audio
4		DMA controller
5	16-bits	Open
6	16-bits	Open
7	16-bits	Open

### System Memory Map

Decimal Address Range	Hex Address Range	Size	Description
1024K-524288K	100000-1FFFFFFF	511 MB	Extended memory
960K-1024K	F0000-FFFFF	64KB	Runtime BIOS
896K-960K	E0000-EFFFF	64KB	Reserved
800K-896K	C8000-DFFFF	96KB	Available high DOS memory (open to PCI bus)
640K-800K	A0000-C7FFF	160KB	Video memory and BIOS
639K-640K	9FC00-9FBFF	1KB	Extended BIOS data (moveable by memory manager software)
512K-639K	80000-9FBFF	127KB	Extended conventional memory
0K-512K	0000-7FFFF	512KB	Conventional memory

### I/O Map

Address (hex)	Size	Description
0000-000F	16 bytes	DMA controller
0020-0021	2 bytes	Programmable Interrupt Control (PIC)
0040-0043	4 bytes	System timer
0060	1 byte	Keyboard controller byte-reset IRQ
0061	1 byte	System speaker
0064	1 byte	Keyboard controller, CMD/STAT byte
0070-0071	2 bytes	System CMOS/real-time clock
0072-0073	2 bytes	System CMOS
0080-008F	16 bytes	DMA controller
0092	1 byte	Fast A20 and PIC
00A0-00A1	2 bytes	PIC
00B2-00B3	2 bytes	APM control
00C0-00D0	32 bytes	DMA
00F0	1 byte	Numeric data processor

### I/O Map (continued)

Address (hex)	Size	Description
0170-0177	8 bytes	Secondary IDE channel
01F0-01F7	8 bytes	Primary IDE channel
One of these ranges: 0200-0207 0208-020F 0210-0217 0218-021F	Can vary from 1 byte to 8 bytes	Audio/game port
One of these ranges: 0220-022F 0240-024F	16 bytes 16 bytes	Audio (SoundBlaster Pro+ compatible)
0228-022F*	8 bytes	LPT3
0278-027F*	8 bytes	LPT2
02E8-02EF*	8 bytes	COM4/video (8514A)
02F8-02FF*	8 bytes	COM2
One of these ranges: 0320-0327 0330-0337 0340-0347 0350-0357	8 bytes	MPU-401 (MIDI)
0376	1 byte	Secondary IDE channel command port
0377, bit 6:0	7 bits	Secondary IDE channel status port
0378-037F	8 bytes	LPT1
0388-038B	6 bytes	AdLib+ (FM synthesizer)
03B0-03BB	12 bytes	Intel 82815 Graphics/Memory Controller Hub (GMCH)
03C0-03DF	32 bytes	Intel 82815 Graphics/Memory Controller Hub (GMCH)
03E8-03EF	8 bytes	COM3
03F0-03F5	6 bytes	Diskette channel 1
03F6	1 byte	Primary IDE channel command port
03F8-03FF	8 bytes	COM1
04D0-04D1	2 bytes	Edge/level triggered PIC
One of these ranges: 0530-0537 0E80-0E87 0F40-0F47	8 bytes	Windows Sound System
LPTn+400h	8 bytes	ECP port, LPTn base address+400h
0CF8-0CFB**	4 bytes	PCI configuration address register
0CF9***	1 byte	Turbo and reset control register
0CFC-0CFF	4 bytes	PCI configuration data register
FFA0-FFA7	8 bytes	Primary bus master IDE registers
FFA8-FFAF	8 bytes	Secondary bus master IDE registers

\*Default, but can be changed to another address range.

\*\*Dword access only

\*\*\*Byte access only

NOTE: Some additional I/O addresses are not available due to ICH addresses aliasing.

### I/O Map Size and Address

I/O Map Size and Address	Description
96 contiguous bytes starting on a 128-byte divisible boundary	ICH (ACPI+TCO)
64 contiguous bytes starting on a 64-byte divisible boundary	Motherboard resource
64 contiguous bytes starting on a 64-byte divisible boundary	Onboard audio controller
32 contiguous bytes starting on a 32-byte divisible boundary	ICH2 (USB)
16 contiguous bytes starting on a 16-byte divisible boundary	ICH2 (SMB)
4096 contiguous bytes starting on a 4096-byte divisible boundary	Intel 82801BA PCI bridge
32 contiguous bytes starting on a 32-byte divisible boundary	Intel 82562ET LAN controller

### Clearing CMOS and Passwords

Passwords may need to be changed, or the computer's configuration (CMOS) may occasionally be corrupted. Both can be cleared using jumper JP6.

- Turn off the computer and any external devices, then disconnect the power cord from the power outlet.
- Remove the access panel on the left side of the computer.
- Locate the header labeled JP6. Place a jumper across pins 1&2 on JP6.
- Connect the power cord to the power outlet.
- Turn on the computer.
- The password reset screen automatically displays. Choose either:  
F1 to reset CMOS  
F4 to reset passwords  
The computer executes the choice and automatically shuts down.
- Disconnect the power cord from the power outlet.
- Remove the jumper from JP6 pins 1 & 2 and place it on pins 2 & 3 (safe position).
- Replace the access panel.
- Reconnect the power cord to the power outlet and turn the computer on.  
If F1 was selected in step 6, the CMOS defaults are reset when the computer starts.  
If F4 was selected, all passwords are cleared when the computer starts.

NOTE: Clearing CMOS clears the Power-On Password. It does NOT clear the Supervisor Password.

### Setting the Supervisor and Power-On Passwords

A. Setting the Supervisor Password provides access protection for the Computer Setup utility.

- Turn off the computer, then hold down the DEL key until the Computer Setup utility begins.
- Select "Change Supervisor Password" and follow the screen instructions.
- The password will be enabled after saving settings and exiting the utility

B. Setting a Power-On Password.

NOTE: A Supervisor Password must have been previously set. That same password will be used for the Power-On Password.

- Turn on the computer, then hold down the DEL key until the Computer Setup utility begins.
- Select Advanced CMOS Setup--> Password Check.
- Select "Always" from the Available Options list.
- The password will be enabled after saving settings and exiting the utility.

NOTE: Clearing passwords clears both the Supervisor and Power-On Passwords, but does not clear the "Always" option. To reset only the Supervisor Password, change "Always" to "Setup" on the available Options list.

NOTE: Clearing CMOS clears the Power-On Password. It does NOT clear the Supervisor Password..