

**COMPAQ**

# Fan (110V/220V) Rack Option Kit

## Installation Instructions



[View Guide](#)

## NOTICE

The information in this publication is subject to change without notice.

COMPAQ COMPUTER CORPORATION SHALL NOT BE LIABLE FOR TECHNICAL OR EDITORIAL ERRORS OR OMISSIONS CONTAINED HEREIN, NOR FOR INCIDENTAL OR CONSEQUENTIAL DAMAGES RESULTING FROM THE FURNISHING, PERFORMANCE, OR USE OF THIS MATERIAL. THIS INFORMATION IS PROVIDED "AS IS" AND COMPAQ COMPUTER CORPORATION DISCLAIMS ANY WARRANTIES, EXPRESS, IMPLIED OR STATUTORY AND EXPRESSLY DISCLAIMS THE IMPLIED WARRANTIES OF MERCHANTABILITY, FITNESS FOR PARTICULAR PURPOSE, GOOD TITLE AND AGAINST INFRINGEMENT.

This publication contains information protected by copyright. No part of this publication may be photocopied or reproduced in any form without prior written consent from Compaq Computer Corporation.

© 2000 Compaq Computer Corporation  
All rights reserved. Printed in the U.S.A.

Compaq, Registered U.S. Patent and Trademark Office.

Compaq Fan (110V/220V) Rack Option Kit

Second Edition (October 2000)  
Part Number 142562-002

**Compaq Computer Corporation**

## About This Device

This option is for use with all Compaq 9000 Series racks to enhance natural convection cooling by increasing the airflow in the rack.

## Kit Contents

Below are the items and quantities required for assembly:

- Fan assembly (1)
- Power cord (2)
- Cable fastener (4)

This kit may contain extra pieces of hardware for your convenience.

## Additional Equipment

You will also need a T-25 torx screwdriver.

## Rack Considerations

Before beginning these procedures, make sure you understand and follow these precautions:



**WARNING:** To reduce the risk of personal injury or damage to the equipment, be sure that:

The leveling jacks are extended to the floor.

The full weight of the rack rests on the leveling jacks.

The stabilizing feet are attached to the rack, if it is a single-rack installation.

The racks are coupled in multiple-rack installations.

Only one component is extended at a time. (A rack may become unstable if more than one component is extended for any reason.)

---



**WARNING:** To reduce the risk of electric shock or damage to your equipment:

Do not disable the power cord grounding plug. The grounding plug is an important safety feature.

Plug the power cord into a grounded (earthed) outlet that is easily accessible at all times.

Disconnect the power from the unit by unplugging the power cord from either the electrical outlet or the unit.

---



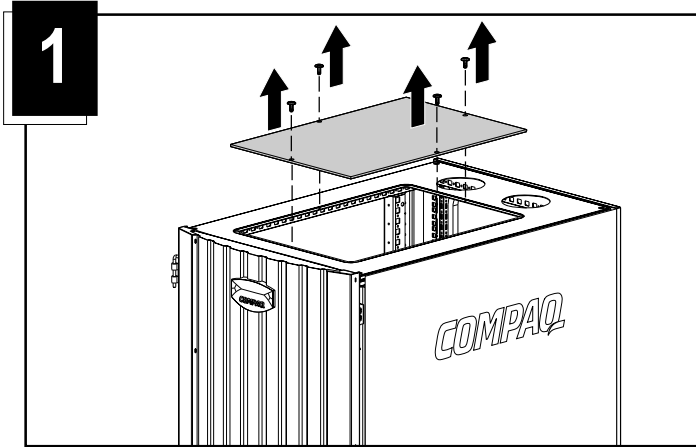
142562-002

### Step 1

Remove the four T-25 torx-head screws securing the top cover to the rack, then remove the top cover. Retain the screws for use in step 2.

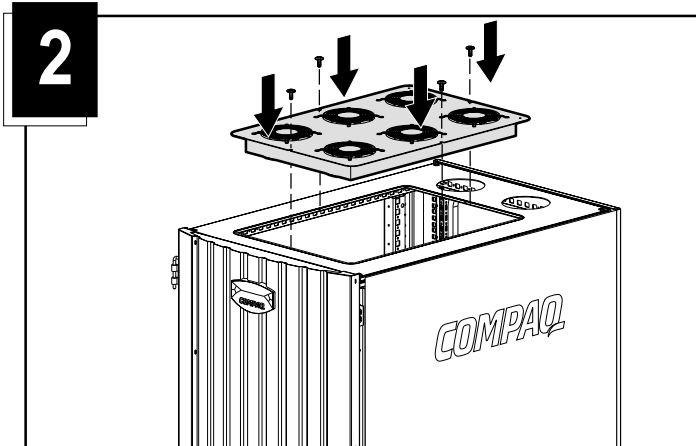


**WARNING:** To reduce the risk of personal injury or damage to your equipment, do not use the rack or any of its components to gain access to the top of the rack.



### Step 2

Insert the fan assembly into the top of the rack with the power plug facing the rear of the rack. Secure using the four screws retained from step 1.

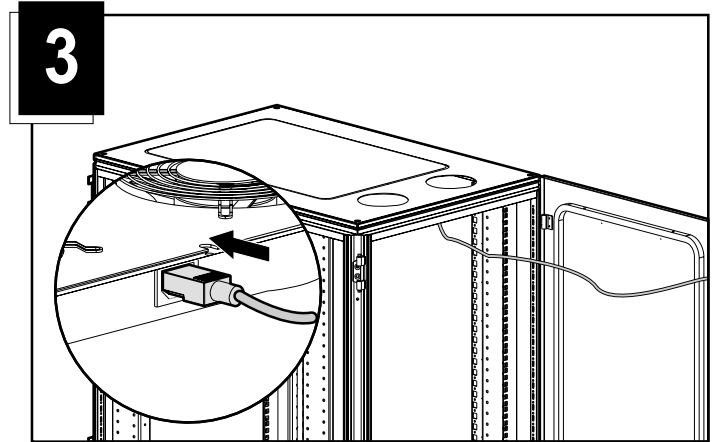


### Step 3

Attach the power cord to the fan assembly.

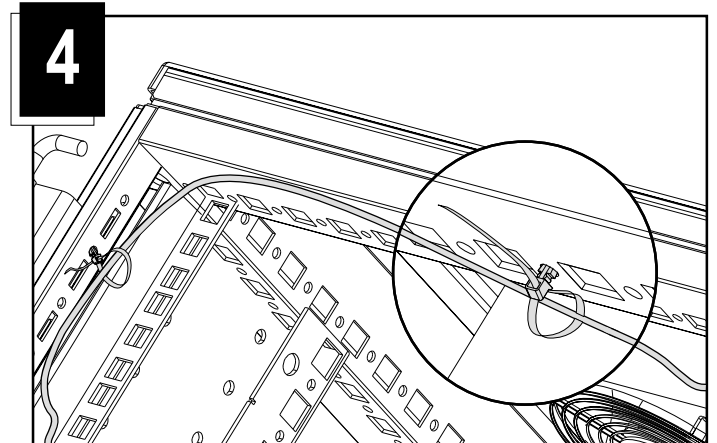


**WARNING:** To reduce the risk of personal injury or damage to your equipment, be sure that you are using the proper power cord.



### Step 4

1. Insert the notched end of the tie wrap into a small hole in the rack rail and push in to lock in place.
2. Encircle the power cord with the tie wrap, then insert the free end into the hole on the other end of the tie wrap and pull tight.
3. Cut off excess length of the tie wrap.



**Installation is complete.**