

There are two procedures in this installation guide. The first procedure, Cable Distribution Unit (CDU) Replacement, describes how to remove and replace a faulty CDU. The second procedure, Dual Power Option Installation, describes how to install a second CDU into a cabinet that contains only one CDU.

## CDU Replacement

The following procedure describes how to install a replacement CDU.

1. Verify the contents of the field-replaceable unit (FRU) kit against the parts list shown in Table 1.

**Table 1 Cable Distribution Unit FRU Kit Parts List**

Description	Qty
Distribution unit, cable, 120/208V, 60 Hz or Distribution unit, cable, 380/415V, 50 Hz	1
Screw, SEMS 10–32 Pan, .625 inch	4
U-nut, 10–32	4
Label, CDU/ID/Caution, power cable	2
Tie, cable	4

2. Remove the new CDU from the packing material.
3. Check the CDU for the proper frequency and voltage.
4. Spin down all disk drives and halt all tape drives in the cabinet.

**WARNING**

Hazardous voltage exists within the cabinet. Use extreme caution to avoid shock and/or personal injury.

5. The CDU replacement requires free access to the front, side, and rear of the cabinet. If necessary, separate the cabinet from adjacent ones.
6. Remove the cabinet side panel (CDU side) Refer to StorageWorks Solutions SW800-Series Data Center Cabinet Installation and Users Guide (EK–SW800–IG).

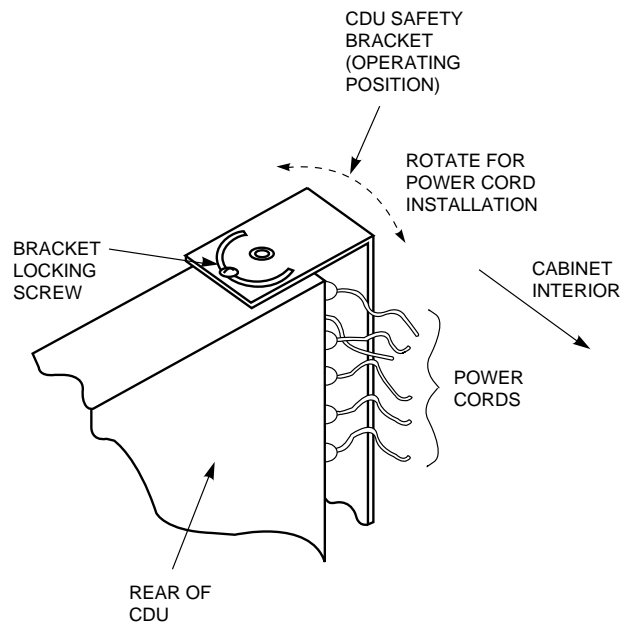
7. Open the rear cabinet door to access CDU A and the CDU B power cable. Open the front cabinet door to access CDU B.
8. Switch the CDU front panel circuit breaker to **OFF**.
9. Disconnect the CDU power cable from the power source.
10. Loosen the CDU safety bracket locking screw and rotate the safety bracket to one side (see Figure 1).

**WARNING**

Cabinet rail edges may be sharp and can slice or abrade skin and cable insulation.

11. Disconnect the ac power cords from the CDU rear panel. The power cords do not require labels.

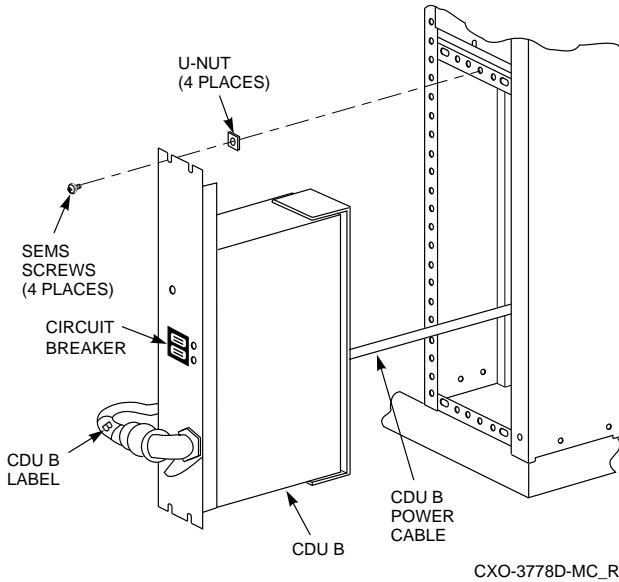
**Figure 1 CDU Safety Bracket**



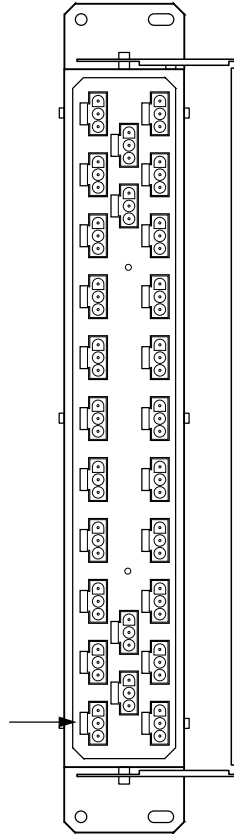
12. Hold the CDU in place while you remove and retain the four CDU mounting screws (see Figure 2).
13. Remove the CDU from the cabinet, carefully guiding the attached power cable through the cabinet openings.

14. Slide the replacement CDU into the cabinet while guiding the attached power cable back through the same cabinet openings (see Figure 2).
15. Mount the CDU using the screws retained in step 12.
16. Loosen the bracket locking screw on the CDU and rotate the safety bracket to one side (see Figure 2).

**Figure 2 CDU Replacement**



**Figure 3 CDU Rear Panel**



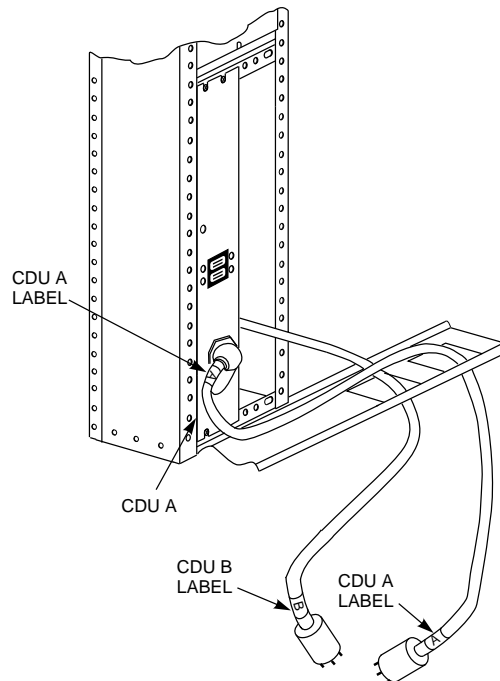
CXO-4671A-MC

**Note**

Make sure you chose the power cord length that connects easily to the selected connector.

17. Connect the power cords to the connectors on the rear panel of the CDU. Start at the lower left and move left to right. Continue upward until all cables are connected. (see Figure 3).
18. Rotate the safety bracket back over the rear panel of the CDU and tighten the bracket locking screw.
19. Install the cabinet side panel.
20. Remove two of the yellow labels (A or B) in the kit from the backing paper, and wrap one around each end of the CDU power cable (see Figure 4).
21. Connect the CDU power cable to the power source.
22. Switch the CDU front-panel circuit breaker to **ON**.
23. Close and secure the cabinet door. Reposition the cabinet if required.
24. Restart all disk and tape drives and check them for proper operation.

**Figure 4 CDU Cable Labels**



CXO-3818C-MC

## Dual Power Option Installation

The following procedure describes how to install the dual power option kit in cabinets with only one CDU and two sets of power cables (black and gray).

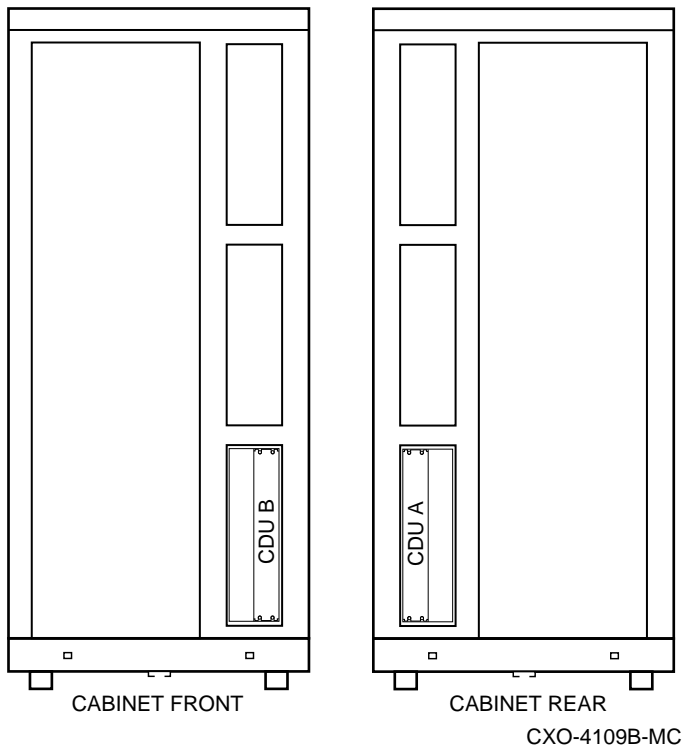
1. Verify that the contents of the dual power option kit match the parts list shown in Table 2.

**Table 2 Dual Power Option Kit Parts List**

Description	Qty
Distribution unit, cable, 120/208V, 60 Hz or Distribution unit, cable, 380/415V, 50 Hz	1
Screw, SEMS 10–32 Pan, .625 inch	4
U-nut, 10–32	4
Label, CDU/ID/Caution, power cable	2
Tie, cable	4

2. See Figure 5 to identify and locate CDU A and identify the location for the installation of CDU B.

**Figure 5 CDU Locations**



3. Remove the new CDU (to be installed as CDU B) from the packing material.

4. Check the CDU for proper frequency and voltage.
5. Spin down all disk drives and halt all tape drives in the cabinet.
6. The CDU B installation requires free access to the front, side, and rear of the cabinet. If necessary, separate the cabinet from adjacent ones.
7. Remove the cabinet side panel (CDU side) Refer to StorageWorks Solutions SW800-Series Data Center Cabinet Installation and Users Guide (EK–SW800–IG).
8. Open the front and rear cabinet doors.
9. Switch the CDU A front panel circuit breaker  $\circ$  OFF.
10. Disconnect the CDU A power cable from the power source.
11. Disconnect the host computer to isolate the cabinet electrically.

**WARNING**

Cabinet rail edges may be sharp and can slice or abrade skin and cable insulation.

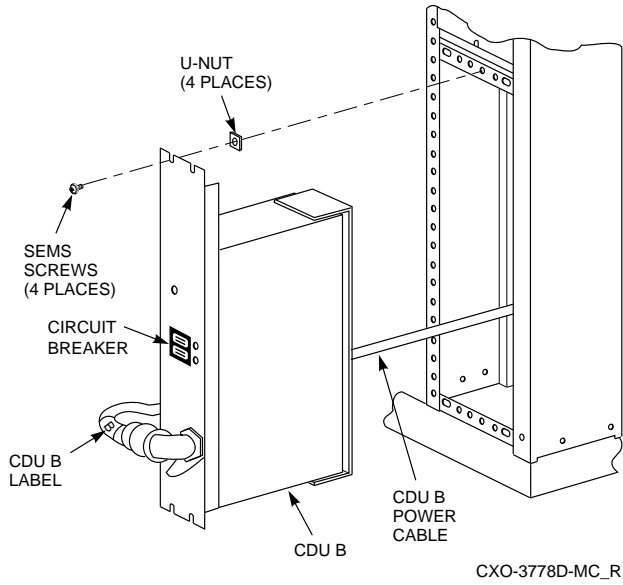
12. Slide the CDU (to be installed as CDU B) into the cabinet while guiding the attached power cable through the cabinet openings (see Figure 6 and Figure 7).
13. Use the hardware provided in the kit to mount CDU B to the cabinet chassis rails (see Figure 6).

**Note**

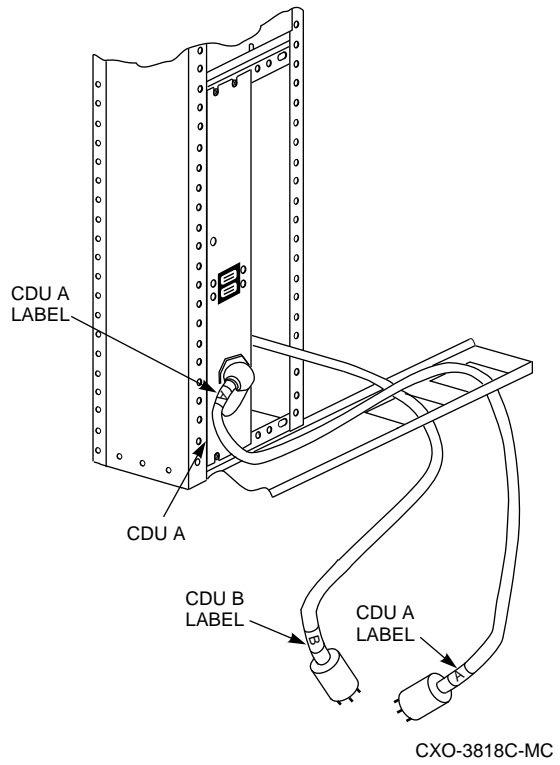
To prevent CDU power cable confusion, apply safety labels to CDU A and CDU B power cables. Install the safety labels as described in steps 14 and 15.

14. Remove two of the yellow A labels in the kit from the backing paper and wrap one around each end of the CDU A power cable (see Figure 6 and Figure 7).
15. Remove two of the yellow B labels in the kit from the backing paper and wrap one around each end of the CDU B power cable (see Figure 6 and Figure 7).
16. Remove the two yellow CAUTION labels from the backing paper and place them at eye level on the inside of each door as shown in Figure 8.

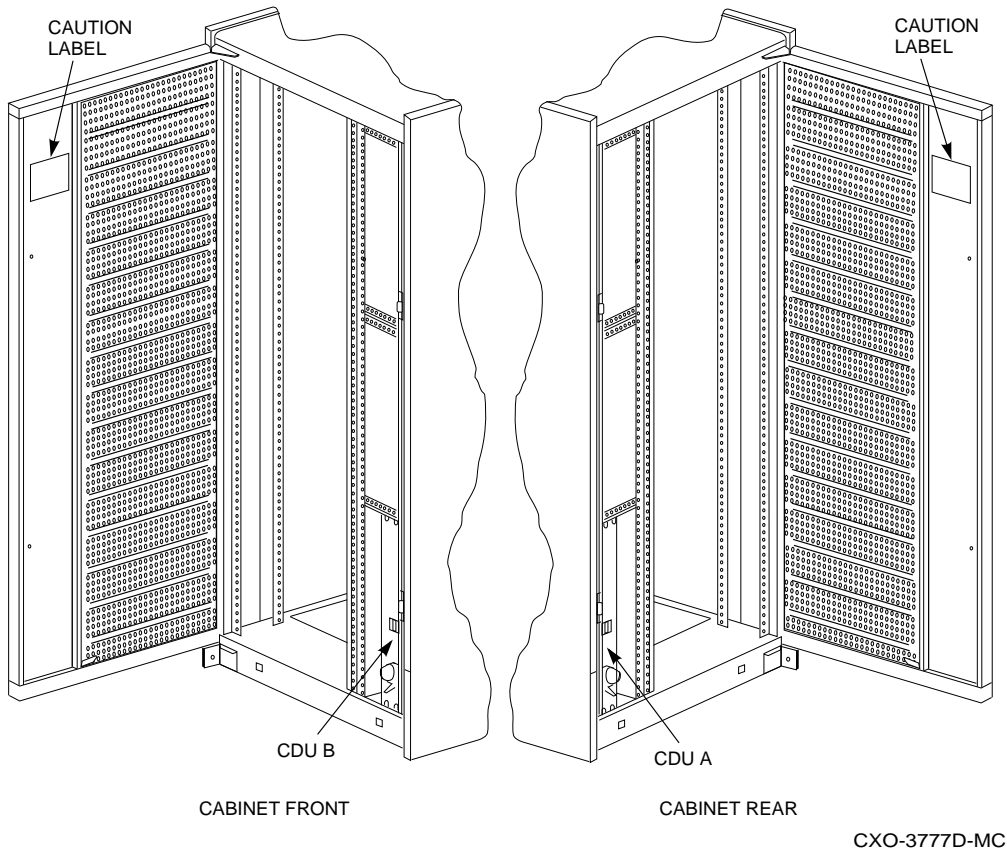
**Figure 6 CDU B Installation**



**Figure 7 Rear Power Cable Installation**

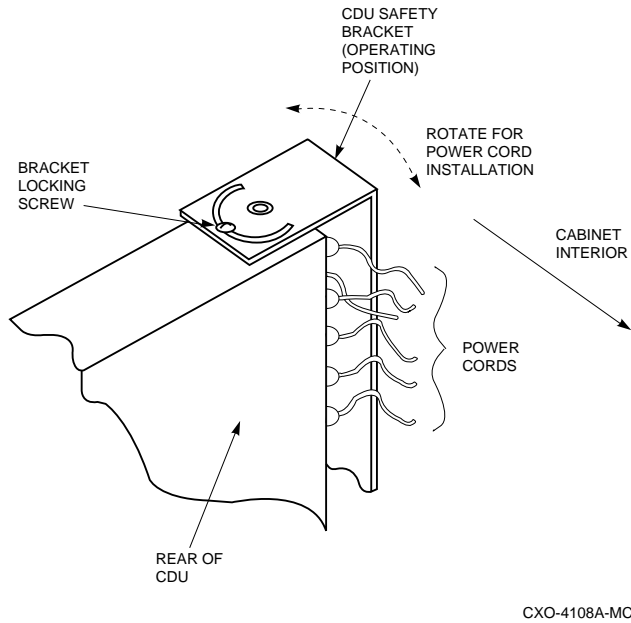


**Figure 8 Safety Label Locations**



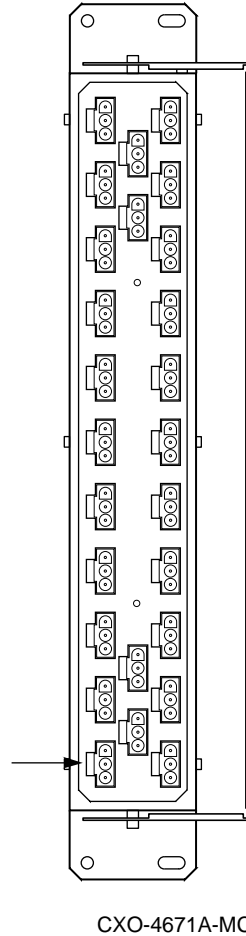
17. Plug the gray power cord into the second ac power supply in each shelf.
18. Loosen the CDU B safety bracket locking screw and rotate the safety bracket to one side (see Figure 9).

**Figure 9 CDU Safety Bracket**



19. Connect the gray power cords to the connectors on the rear panel of CDU B. Start at the lower left and move left to right. Continue upward until all cables are connected (see Figure 10).
20. Locate the gray fan power cord on CDU A
21. Loosen the bracket locking screw on the CDU A safety bracket and rotate the safety bracket to one side.
22. Unplug the gray fan power cord from CDU A rear panel, and plug it into CDU B rear panel.
23. Rotate the safety brackets back over the rear panel of CDU A and CDU B. Tighten the bracket locking screws.
24. Reconnect the host computer.
25. Install the cabinet side panel.

**Figure 10 CDU Rear Panel**



26. Connect the power cable from CDU A to the primary power source.
27. Connect the power cable from CDU B to the auxiliary power source.
28. Switch the circuit breaker on CDU A to | ON.
29. Switch the circuit breaker on CDU B to | ON.
30. Close and secure the cabinet doors. Reposition the cabinet if required.
31. Restart all disk and tape drives and check them for proper operation.