

# SIX PORT CARD OPTION KIT

## Installation Instructions

*Read Instructions Completely Before  
Beginning Installation Procedures*



Printed on recycled paper

## NOTICE

© 2001 Compaq Computer Corporation

Compaq, the Compaq logo, and Compaq Insight Manager are trademarks of Compaq Information Technologies Group, L.P.

Microsoft, MS-DOS, Windows, and Windows NT are trademarks of Microsoft Corporation.

**The Open Group and UNIX are trademarks of The Open Group.**

Compaq shall not be liable for technical or editorial errors or omissions contained herein. The information in this document is provided as is without warranty of any kind and is subject to change without notice. The warranties for Compaq products are set forth in the express limited warranty statements accompanying such products. Nothing herein should be construed as constituting an additional warranty.



## About This Kit

This document serves as an outline to assist qualified personnel with the installation of the Compaq Six Port Card option kit for all Compaq Uninterruptible Power System (UPS) XR models.

The Six Port Card expands the communications capability of the UPS so that a single UPS can exchange data with up to three host computers when the power management software is installed (CD supplied with the UPS installation kit).

**NOTE:** This option is compatible only with Compaq UPS XR models.

## Read Before Installing Product

Read the *Important Safety Information* guide (included with this kit) before installing this product.



**WARNING:** There is a risk of personal injury from electrical shock and hazardous energy levels. The installation of options and routine maintenance and service of this product must be performed by individuals who are knowledgeable about the procedures, precautions, and hazards associated with AC power products.

Follow the instructions in this document during installation of the Six Port Card option kit.

## Operating System Compatibility

The Six Port Card can be used with these operating systems:

- UnixWare 7.x
- Microsoft Windows 95, 98, 2000
- Microsoft Windows NT 4.x
- Novell NetWare 3.x, 4.x, 5.x
- SCO 5.x

## Compaq Power Management Software

Compaq power management software requires *Compaq Insight Manager™* 3.1 or later. Compaq power management software is an intelligent management utility that is integrated with Compaq Insight Manager. Compaq power management software is a versatile, fully configurable alert response utility that can:

- Configure shutdown timing to ensure a prioritized shutdown in the event of a power failure.
- Independently control load segments that manage and control critical equipment.
- Shut down and reboot supported Compaq UPS and attached equipment, as needed, or based on a user-specified schedule.



**WARNING:** To reduce the risk of personal injury from electrical shock, disconnect all loads from the UPS receptacles before unplugging the UPS. Avoid operating the UPS while it is disconnected from the source of electrical power.



**WARNING:** To reduce the risk of electric shock, the combined Earth (ground) conductor leakage current from all connected devices must not exceed 3.5 mA.

## Kit Contents

Contents of the Six Port Card option kit (part number 192185-B21) are:

- Six Port Card
- Serial interface cables, 12 ft. (4)



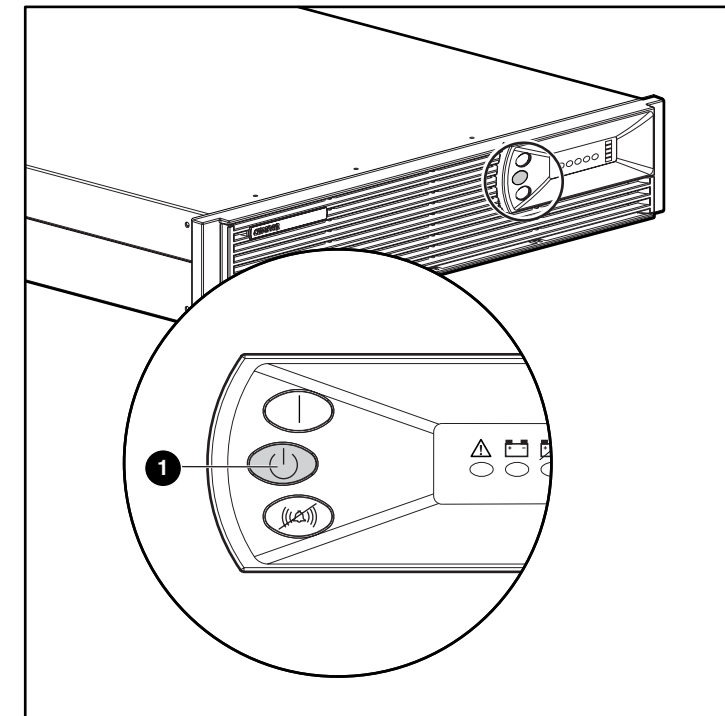
## 1 Installing Compaq Power Management Software

Before the Six Port Card can be recognized by Compaq Insight Manager, Compaq power management software must be installed. If Compaq power management software is already installed, go to step 2, "Powering Down Devices."

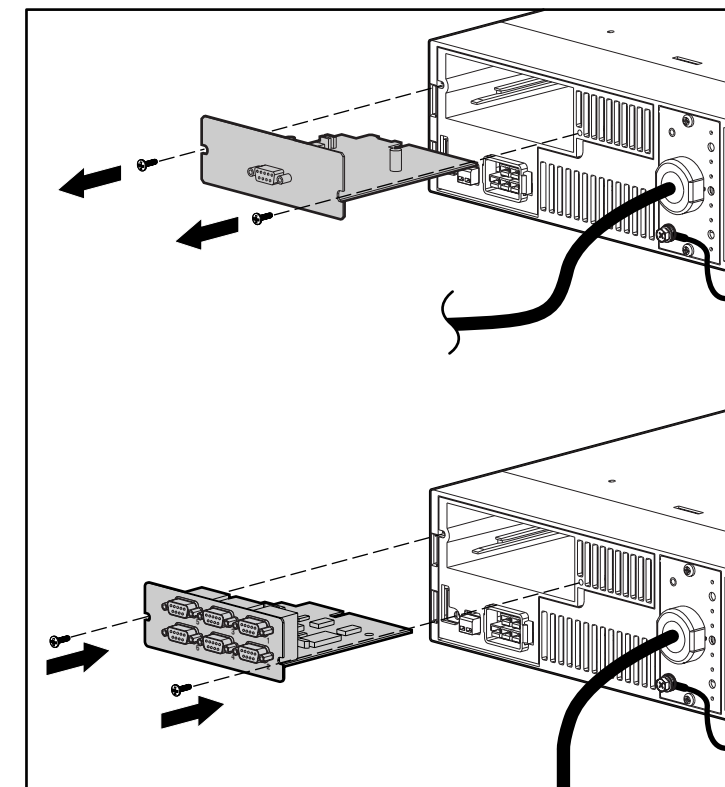
Installation of the software consists of installing the Agent on network servers, and installing the console into Compaq Insight Manager on the system administrator's Windows 95, 98, 2000, or Windows NT workstation.

## 2 Powering Down Devices

1. Perform a normal system shutdown on all servers and devices connected to the UPS.
2. Power down the UPS by pressing and holding the STANDBY button (1). For specific UPS XR model instructions, please refer to the Power Products Documentation CD (supplied with the UPS kit).
3. Unplug all devices connected to the UPS.



## 3 Installing the Six Port Card



## 4 Connecting the Six Port Card

The Six Port Card supports up to three servers on ports 2, 4, and 6.

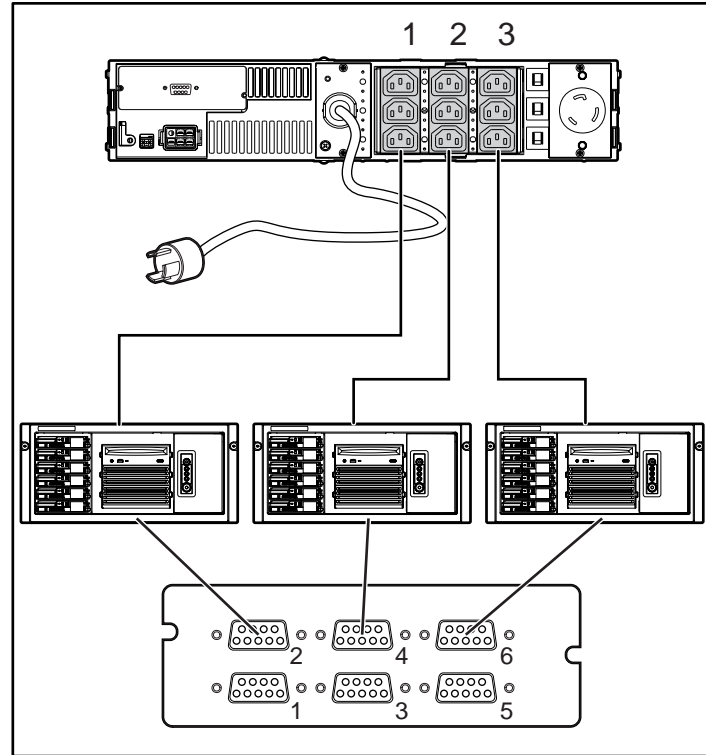
Connect the servers to the load segments on the UPS and to the ports on the Six Port Card in the order shown below. Servers must be connected to the load segments in order-1st server to load segment 1, 2nd server to load segment 2, and the 3rd server to load segment 3.

---

**IMPORTANT:** The number of servers connected must not exceed the number of load segments on the UPS.

---

Port 1 is the configuration port and is also used to update the firmware. Ports 3 and 5 are for future use.



**Installation is complete.**