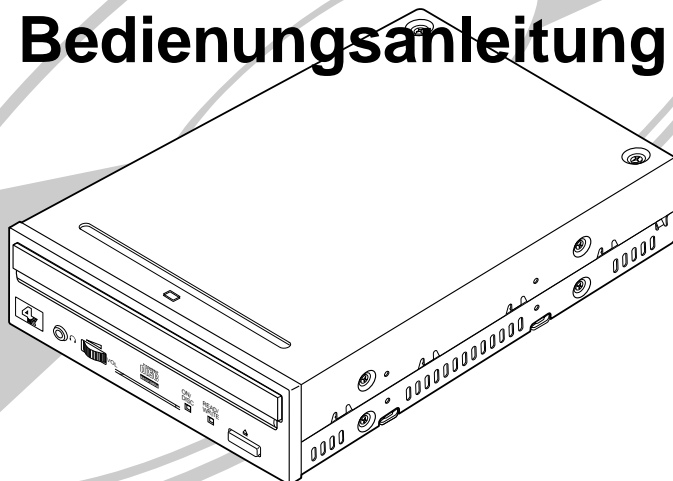


YAMAHA

CDR400t

SERIES

User Guide
Guide de l'utilisateur
Bedienungsanleitung



YAMAHA

Chapter 1 - System Configuration

In order to use the CDR400t, you will require the following.

For an IBM-PC computer with DOS or Windows

The following operating environment is required:

- An IBM/AT or compatible PC with a 486/33MHz or better CPU
- A vacant slot in which to install a SCSI card or a pre-installed SCSI card
- A vacant half-height bay
- Windows 3.1 or later, or Windows 95
- Sufficient hard disk space

Note: *You will need about twice as much space on your hard disk as that required by the data you wish to write to CD-ROM.*

SCSI card and software

This is required in order to connect a SCSI device (the Yamaha CDR400t) to your computer.

We recommend the following:

Adaptec SCSI cards: AHA-2940 (PCI), AHA-284x (VL), AHA-2740 (EISA), AHA-154x (ISA), etc.

Yamaha CDR400t is a “SCSI” device. You will need to install a SCSI card and some mastering (writing) software in your host computer to connect the CDR400t.

For a Macintosh computer

The following operating environment is required:

- A Macintosh computer that is equipped with a CPU of 68040 or higher

About Discs



CD-R Discs

On the CDR400t, you can use conventional CD-R discs that conform to the Recordable Compact Disc Systems Part II (Orange Book).

Yamaha recommends the following Yamaha CD-R discs:

- > CDM12Y63 (ϕ 120mm, 63 minutes)
- > CDM12Y74 (ϕ 120mm, 74 minutes)
- > CDM12Y74M (ϕ 120mm, 74 minutes)
- > CDM12Y74T (ϕ 120mm, 74 minutes)

Read-only Discs

You can use discs with the  logo which conform to the Compact Disc Read Only Memory standard (CD-ROM standard, Yellow Book). If you wish to use the audio functions, use discs with the  logo, which conforms to the Compact Disc Digital Audio standard (Red Book).

Chapter 2 - Installing the Yamaha CDR400t Drive

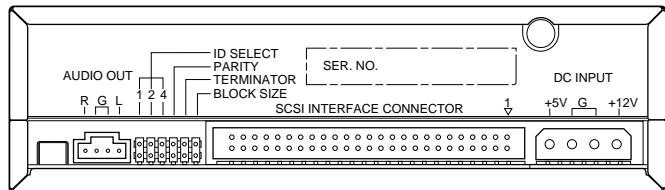
CDR400t drive settings

Before installing the CDR drive into your computer, you will need to set the following jumpers. You set these jumpers by inserting jumper connectors into the jumper switch located on the rear panel of the CDR drive switch.

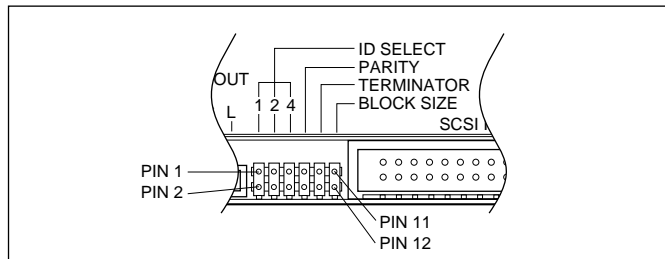
- ◆ SCSI ID settings
- ◆ Parity setting
- ◆ Terminator setting
- ◆ Block size setting

Important: Use long-nose pliers to remove or insert jumper connectors.

Rear Panel



Jumper Switch

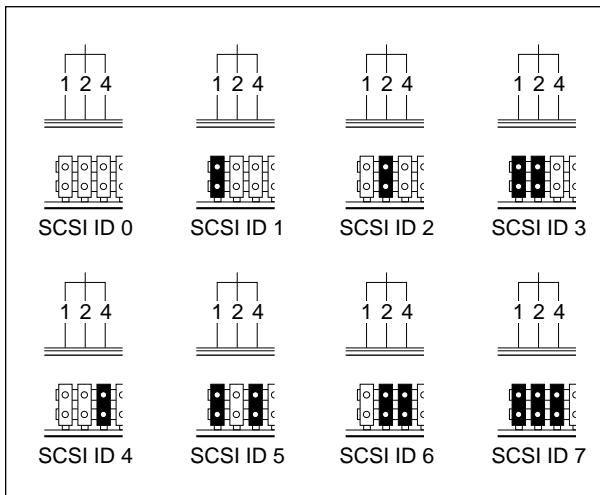


◆ SCSI ID settings

The SCSI ID number is used so that the computer will recognize a connected SCSI device. You can assign 0 through 7 as the SCSI ID number. Usually, “7” is reserved for the SCSI card ID number, and “0” is reserved for the first SCSI device in the chain. Use a number between 1 and 6 for the CDR400t. Refer to the diagram below for more information on setting the SCSI ID number. The factory set ID number is “3”.

Important: *If you are using other SCSI devices, be sure to use a unique ID number for each device.*

Note: *When you are using Windows 95, and if the SCSI ID setting on the rear panel is the same as the number assigned to another SCSI device, the Plug and Play component of Windows 95 will automatically assign an unused number to the CDR400t (SCAM protocol level 1).*



SCSI ID Setting

SCSI ID	ID 1	ID 2	ID 4
0	0 (OPEN)	0 (OPEN)	0 (OPEN)
1	1 (SHORT)	0 (OPEN)	0 (OPEN)
2	0 (OPEN)	1 (SHORT)	0 (OPEN)
3	1 (SHORT)	1 (SHORT)	0 (OPEN)
4	0 (OPEN)	0 (OPEN)	1 (SHORT)
5	1 (SHORT)	0 (OPEN)	1 (SHORT)
6	0 (OPEN)	1 (SHORT)	1 (SHORT)
7	1 (SHORT)	1 (SHORT)	1 (SHORT)

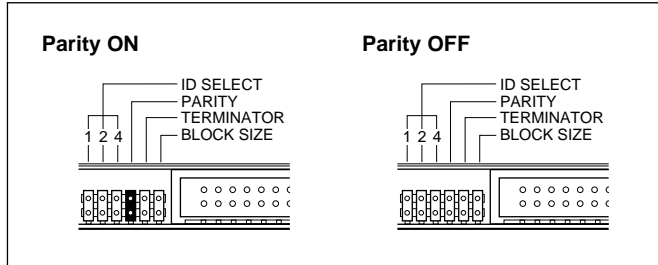
◆ Parity setting

Parity ON (with a jumper)

— Parity Check will be performed. **Normally, use this setting.**

Parity OFF (without a jumper)

— Parity Check will not be performed.



◆ Terminator setting

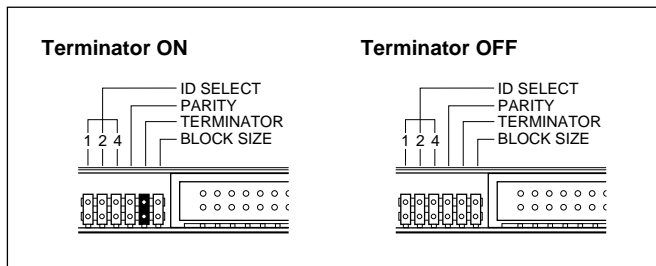
The terminator setting indicates whether or not this device is the last connected SCSI device.

Terminator ON (with a jumper)

— Use this setting if the CDR400t is the last device in the internal SCSI daisy-chain.

Terminator OFF (without a jumper)

— Use this setting if devices other than the CDR400t are in the internal SCSI daisy-chain and the CDR400t is not the last device.



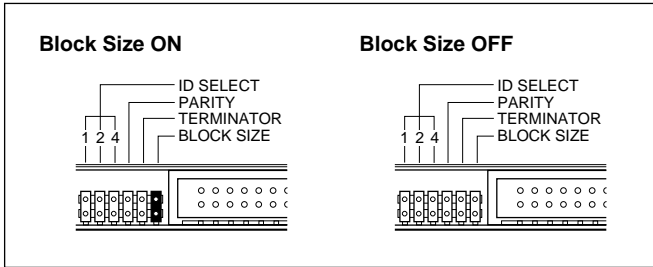
◆ Block size setting

Block size ON (with a jumper)

- Block Size is set to 512Byte/sector. This function is valid only for workstations, such as those that run UNIX.

Block size OFF (without a jumper)

- **Normally, use this setting.**

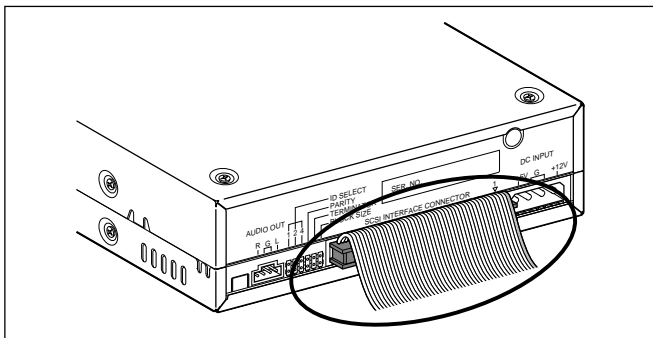


Cable Connection

SCSI cable

Connect a SCSI cable to the SCSI INTERFACE CONNECTOR on the rear panel of the CDR400t.

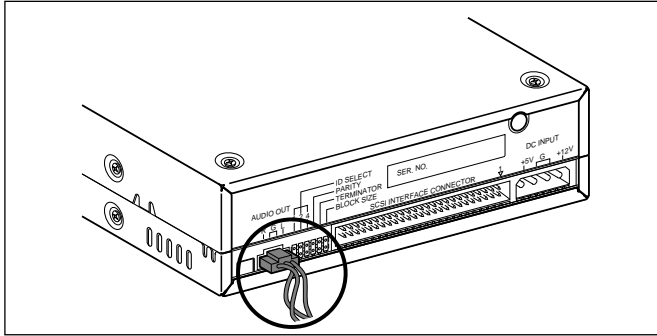
At this time, make sure that figure "1" on upper right corner of the connector will match the red line on the SCSI cable.



Audio output cable

Connect an audio output cable to the AUDIO OUT connector in the lower left corner of the rear panel.

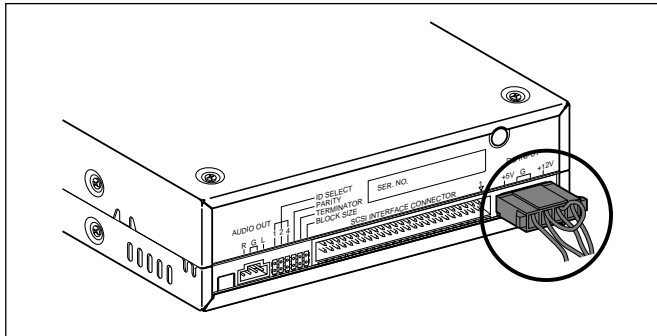
Make sure that the projection of the connector is facing upward.



DC power cable

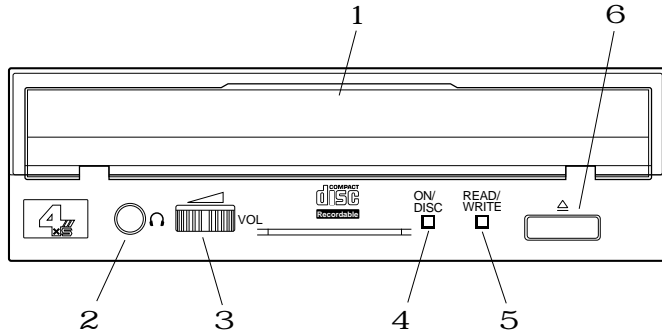
Connect a DC power cable to the DC INPUT connector on the lower right corner of the rear panel.

Make sure that the notch on the connector is facing upward.



Chapter 3 - Operation

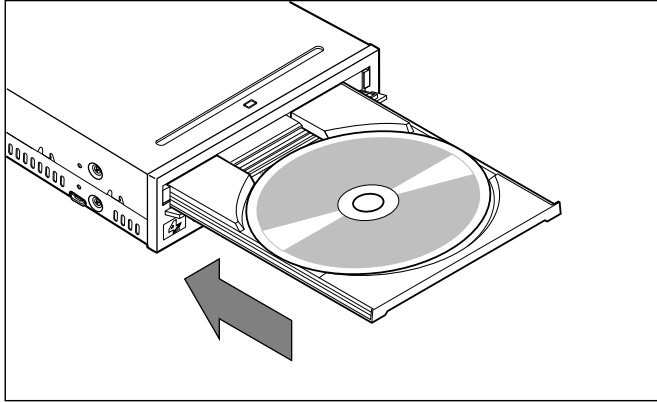
Front Panel



- 1 Disc tray**
The disc is inserted and ejected here. Pressing the eject button will open the tray.
- 2 Headphone jack**
This stereo mini jack allows you to connect headphones and listen to audio.
- 3 Headphone volume control**
This control adjusts the volume level of the headphone output. Rotating the control clockwise will increase the volume level.
- 4 ON/DISC LED**
This indicator lights up in orange when the CDR400t is powered on, and lights up in green when the CDR400t contains a disc.
- 5 READ/WRITE LED**
This indicator lights up in green when data is being read, and flashes when data is being accessed. It also lights up in orange when data is being recorded on a disc.
- 6 Eject button**
This button is used to open or close the tray.

Loading a Disc

1. Press the eject button to open the tray.
2. Carefully place the disc, label-side up, on the disc tray.
3. Press the disc tray softly or press the eject button again to close the disc tray.



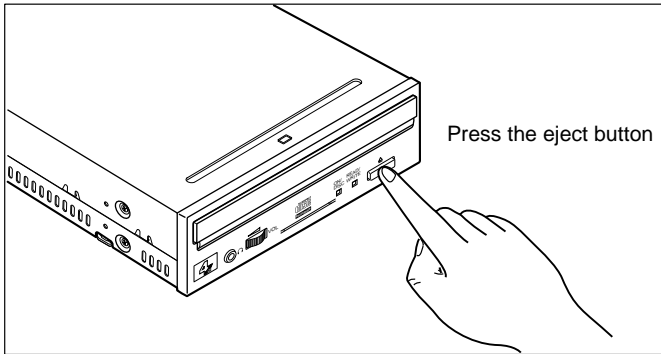
Ejecting the Disc

If the CDR400t is powered on:

Press the eject button to eject the disc.

Note: *You cannot eject the disc if the SCSI command prohibits the eject operation while the CDR400t is reading data.*

Caution: *Be sure to remove the disc after it is completely ejected. (Trying to remove the disc before it is completely ejected may cause the drive to malfunction.)*



If the CDR400t is not powered on:

Pressing the eject button will not eject the disc.

YAMAHA