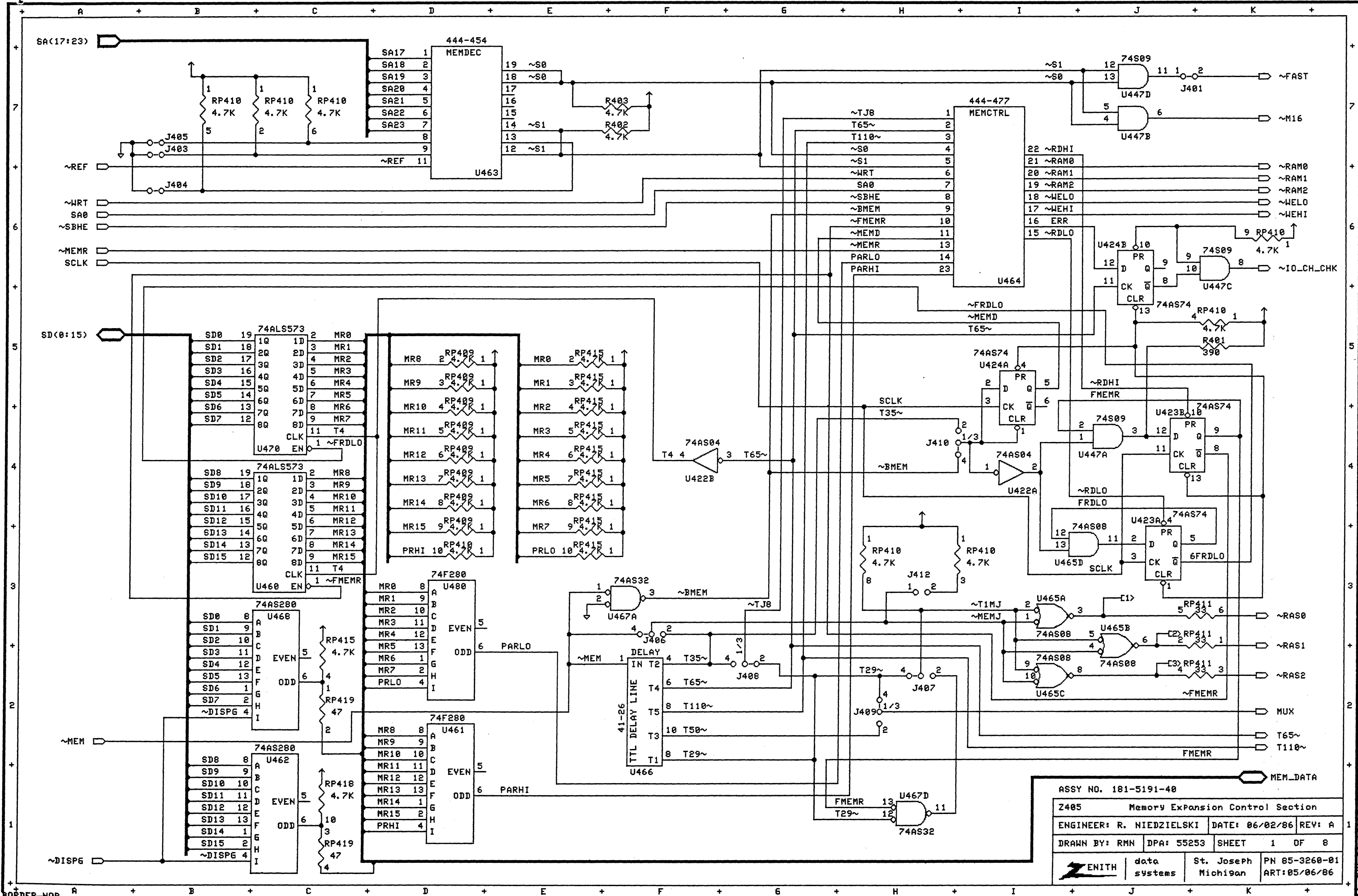
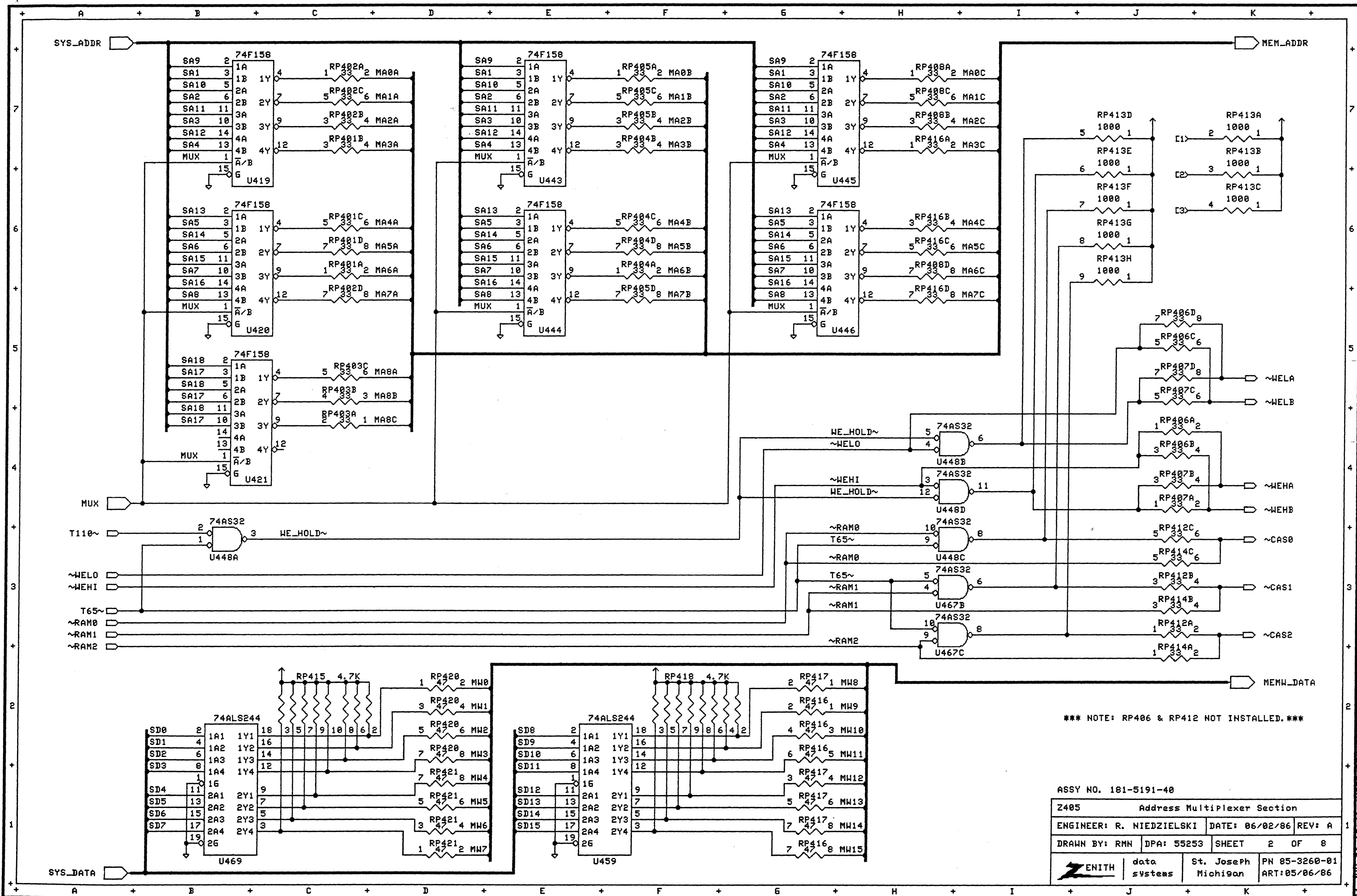


# 2241 MEMORY EXPANSION



ASSY NO. 181-5191-40			
2405 Memory Expansion Control Section			
ENGINEER: R. NIEDZIELSKI	DATE: 06/02/86	REV: A	
DRAWN BY: RMN	DPA: 55253	SHEET 1 OF 8	
ENITH	data systems	St. Joseph Michigan	PN 85-3260-01 ART:05/06/86

84 JUN 86 13:17 USER7RMN/MEMEXP 1.DRAW

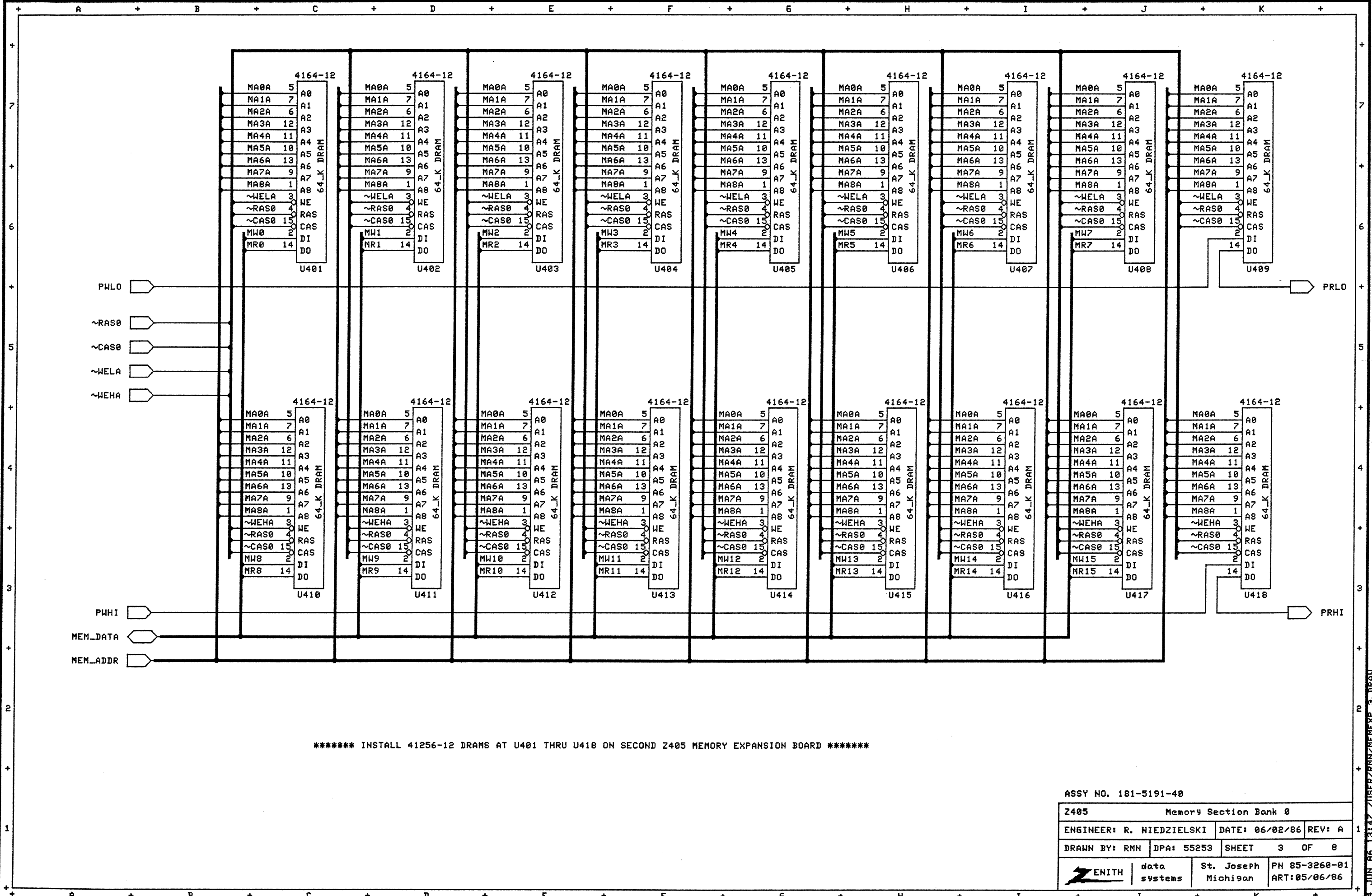


\*\*\* NOTE: RP406 & RP412 NOT INSTALLED. \*\*\*

ASSY NO. 181-5191-40

Z405		Address Multiplexer Section	
ENGINEER: R. NIEDZIELSKI	DATE: 06/02/86	REV: A	
DRAWN BY: RMN	DPA: 55253	SHEET	2 OF 8
ZENITH	data systems	St. Joseph Michigan	PN 85-3260-01 ART:05/06/86

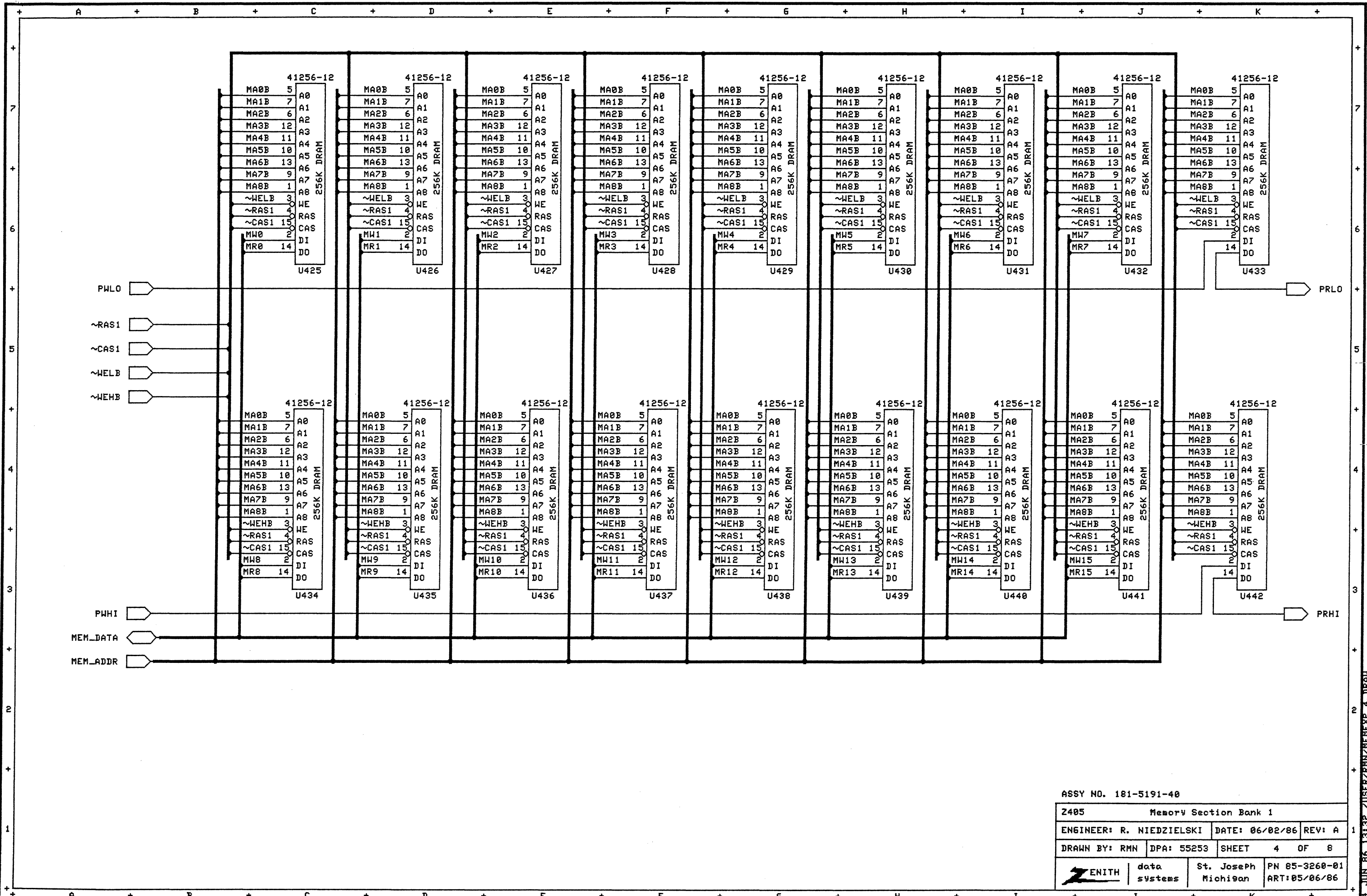
84 JUN 86 13:41 70SER/RMN/MENEXP 2.DRN



\*\*\*\*\* INSTALL 41256-12 DRAMS AT U401 THRU U418 ON SECOND Z405 MEMORY EXPANSION BOARD \*\*\*\*\*

ASSY NO. 181-5191-40			
Z405 Memory Section Bank 0			
ENGINEER: R. NIEDZIELSKI	DATE: 06/02/86	REV: A	
DRAWN BY: RMN	DPA: 55253	SHEET 3	OF 8
ZENITH	data systems	St. Joseph Michigan	PN 85-3260-01 ART:05/06/86

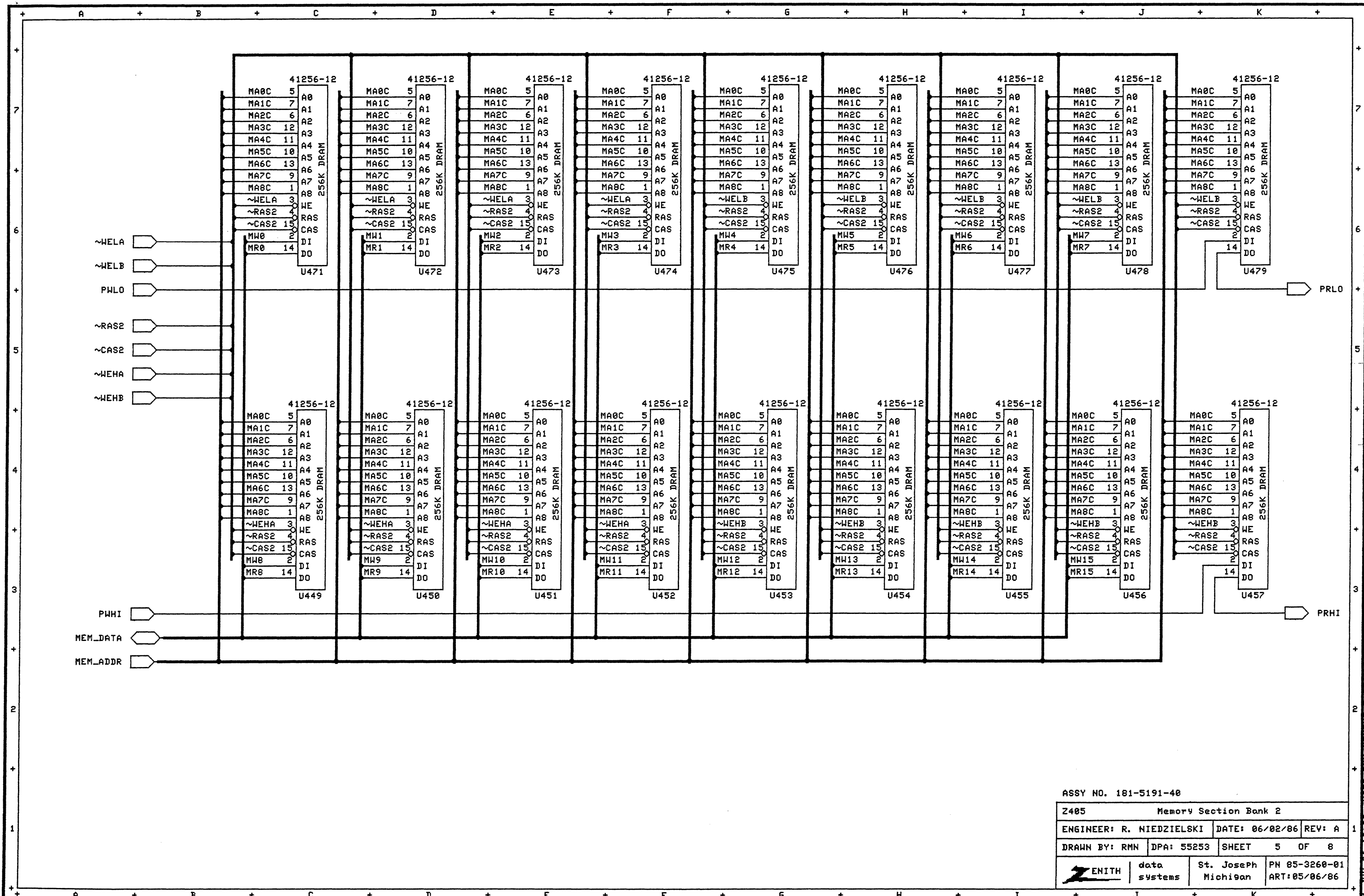
84 JUN 86 13:47 USER/RMN/NEWEXP 3. DRAM



ASSY NO. 181-5191-40

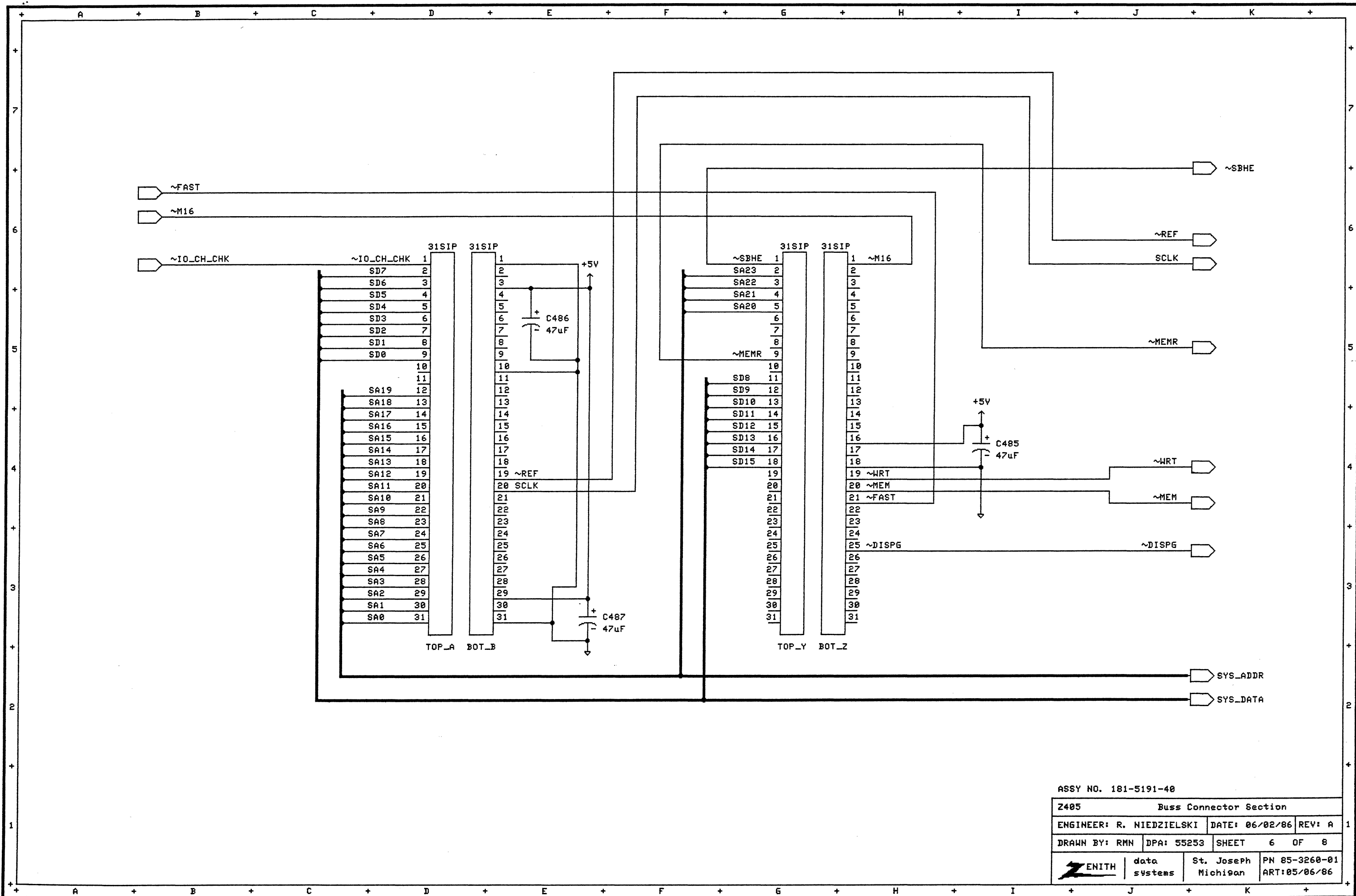
2485 Memory Section Bank 1			
ENGINEER: R. NIEDZIELSKI	DATE: 06/02/86	REV: A	
DRAWN BY: RMN	DPA: 55253	SHEET 4	OF 8
ZENITH	data systems	St. Joseph Michigan	PN 85-3260-01 ART: 05/06/86

84 JUN 86 13:32 USER:RNN/MEEXP 4. DRAM



ASSY NO. 181-5191-40			
Z485		Memory Section Bank 2	
ENGINEER: R. NIEDZIELSKI	DATE: 06/02/86	REV: A	
DRAWN BY: RMN	DPA: 55253	SHEET	5 OF 8
		St. Joseph Michigan	PN 85-3260-01 ART:05/06/86

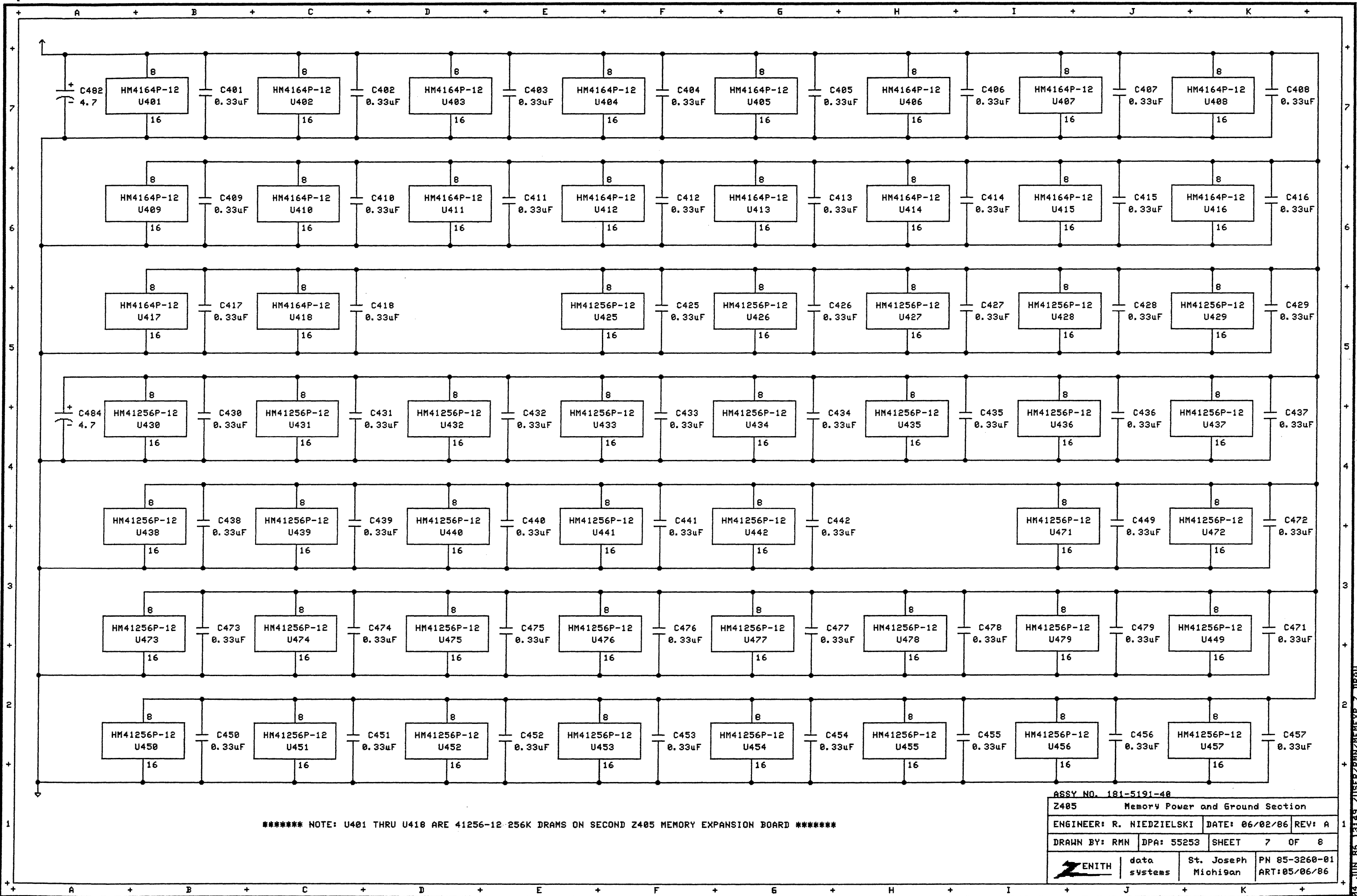
04 JUN 86 13133 7USER7RIN7MEMEXP 5. DRAM



ASSY NO. 181-5191-40

Z405 Buss Connector Section			
ENGINEER: R. NIEDZIELSKI	DATE: 06/02/86	REV: A	
DRAWN BY: RMN	DPA: 55253	SHEET 6	OF 8
ZENITH data systems	St. Joseph Michigan	PN 85-3260-01 ART:05/06/86	

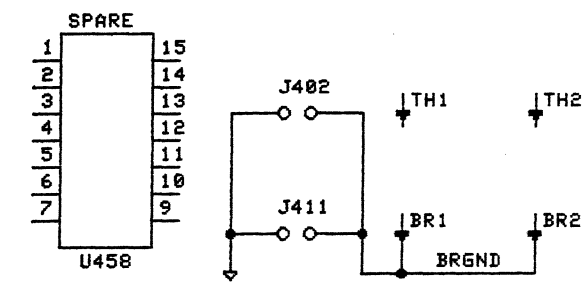
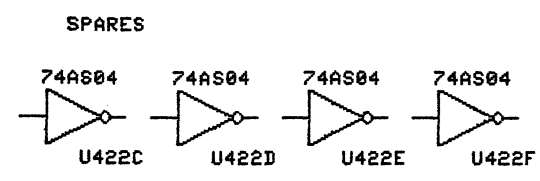
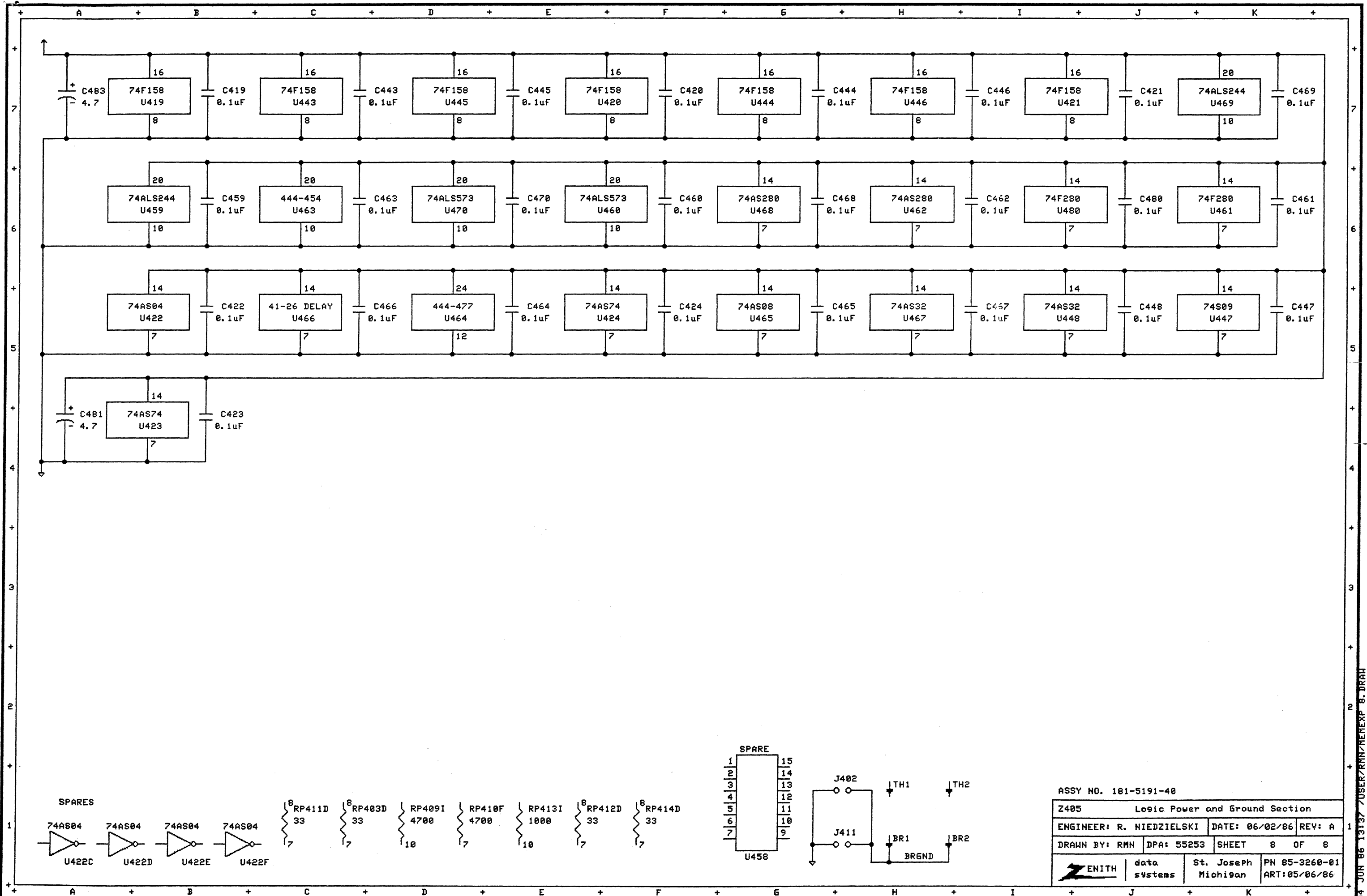
04 JUN 86 13:34 70SER/RMN/MENEXP 6. DRAN



\*\*\*\*\* NOTE: U401 THRU U418 ARE 41256-12 256K DRAMS ON SECOND Z405 MEMORY EXPANSION BOARD \*\*\*\*\*

ASSY NO. 181-5191-40			
Z485 Memory Power and Ground Section			
ENGINEER: R. NIEDZIELSKI	DATE: 06/02/86	REV: A	
DRAWN BY: RMN	DPA: 55253	SHEET 7	OF 8
ZENITH data systems		St. Joseph Michigan	PN 85-3260-01 ART:05/06/86

84 JUN 86 13:49 USER:RMN/MEEXP 7.DRAW



ASSY NO. 181-5191-40

Z405	Logic Power and Ground Section		
ENGINEER: R. NIEDZIELSKI	DATE: 06/02/86	REV: A	
DRAWN BY: RMN	DPA: 55253	SHEET	8 OF 8
ENITH	data systems	St. Joseph Michigan	PN 85-3260-01 ART:05/06/86

04 JUN 86 13137 ZUSER/RMN/HEMEXP 8. DRAM