

| | | | | | |
|-----------|-----|---------------|--------|----------|----------|
| Revisions | | | 217222 | A | |
| LAL | Rev | Description | Chk | Date | Approved |
| | A | ENGRG RELEASE | BN | 10-12-78 | |

**ENGINEERING
RELEASE**

NTMD1-PWASSY.SIL

(PNTMD-PWASSY.DM)

Dist Code **SPG**

| | | | | | |
|---|---|----------------------------|--|---------------------------|---------------------------|
| These drawings and specifications and the data contained therein, are the exclusive property of Xerox Corporation and/or Rank Xerox, Ltd. Issued in strict confidence and shall not, without the prior written permission of Xerox Corporation or Rank Xerox, Ltd. be reproduced, copied or used for any purpose whatsoever except the manufacture of articles for Xerox Corporation or Rank Xerox. | Notes Unless Specified | Drawn NISHIMURA | Xerox Corporation El Segundo, California | | |
| | 1. Tolerances .xx $\pm .03$ Angular .xxx $\pm .010$ $\pm 1/2^{\circ}$ | Check | XEROX ASSEMBLY, PRINTED WIRING- MEMORY DATA (NOTETAKER) | | |
| | 2. Break All Sharp Edges .010 Approx 3. Mach. Surfaces ✓ 4. All Dim. In Inches | Appr. | | | |
| | | Material | | | |
| Model No. NOTETAKER First Use | Finish | Code Ident 18338 | Size A | Dwg. No. 217222 | Change Letter A |
| Next Assy. First Use 217684 | | Scale NONE | Do Not Scale Drawing | | Sheet 1 OF 4 |

NOTES; UNLESS OTHERWISE SPECIFIED

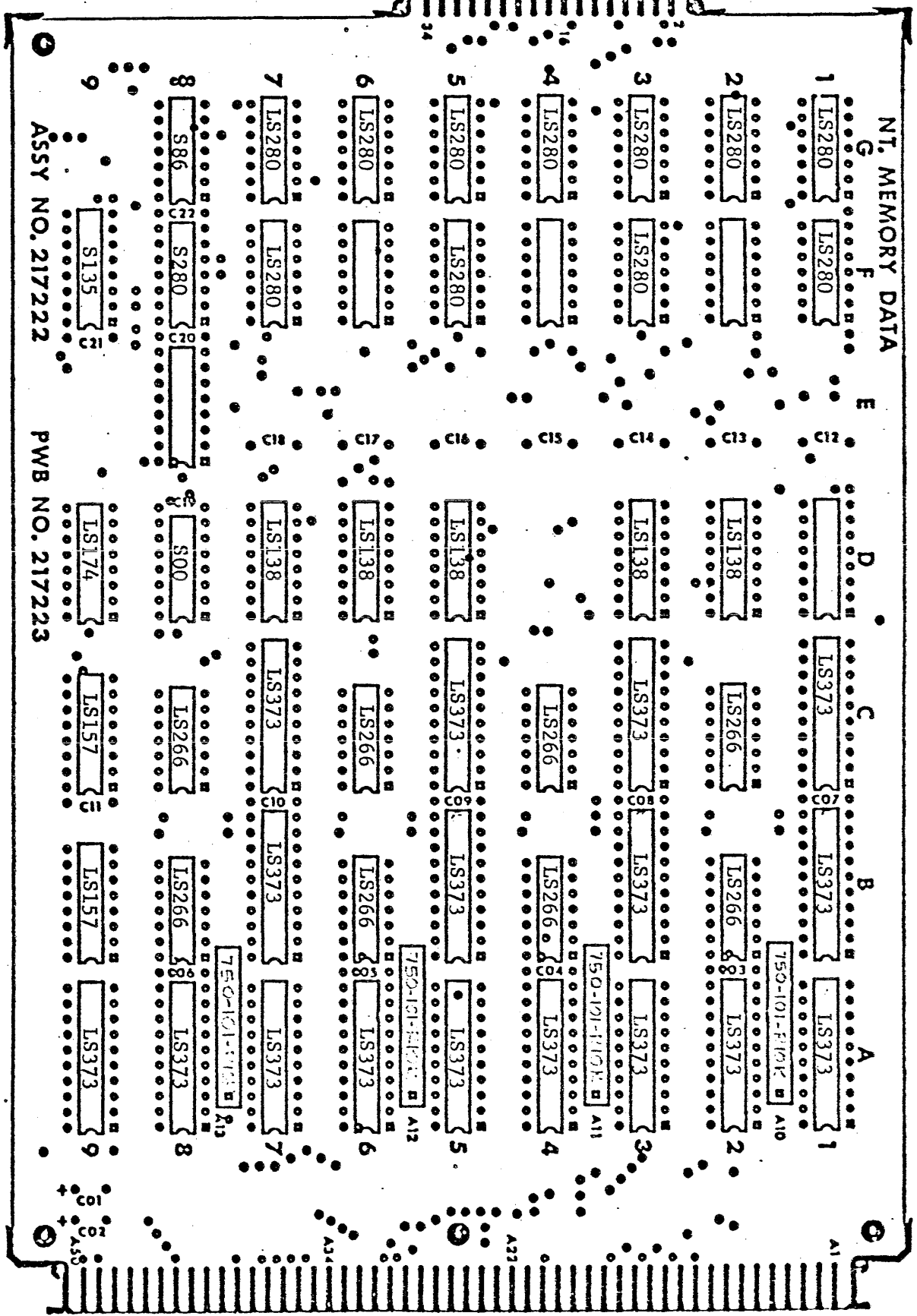
- 1. ASSEMBLE PER MODULE ASSEMBLY SPEC, DWG NO. 216207.**
- 2. DO NOT INSTALL I.C. SOCKETS IN UNLABELED LOCATIONS.**

NTMD2-PWASSY.SIL

These drawings and specifications, and the data contained therein, are the exclusive property of Xerox Corporation and or Rank Xerox, Ltd. Issued in strict confidence and shall not, without the prior written permission of Xerox Corporation Rank Xerox, Ltd., be reproduced, copied or used for any purpose whatsoever, except the manufacture of articles for Xerox Corporation or Rank Xerox, Ltd.

Title
**ASSY, PRINTED WIRING-
MEMOR DATA
(NOTETAKER)**

| | | | |
|---|---|--------------|---|
| Xerox Corporation El Segundo, California | | XEROX | |
| 217222 | | A | |
| Sheet | 2 | of | 4 |



ASSY NO. 217222

PWB NO. 217223

NT. MEMORY DATA

These drawings and specifications, and the data contained therein, are the exclusive property of Xerox Corporation and/or Rank Xerox, Ltd. issued in strict confidence and shall not, without the prior written permission of Xerox Corporation or Rank Xerox, Ltd., be reproduced, copied or used for any purpose whatsoever, except the manufacture of articles for Xerox Corporation or Rank Xerox, Ltd.

Title
 ASSY, PRINTED WIRING-
 MEMORY DATA
 (NOTETAKER)

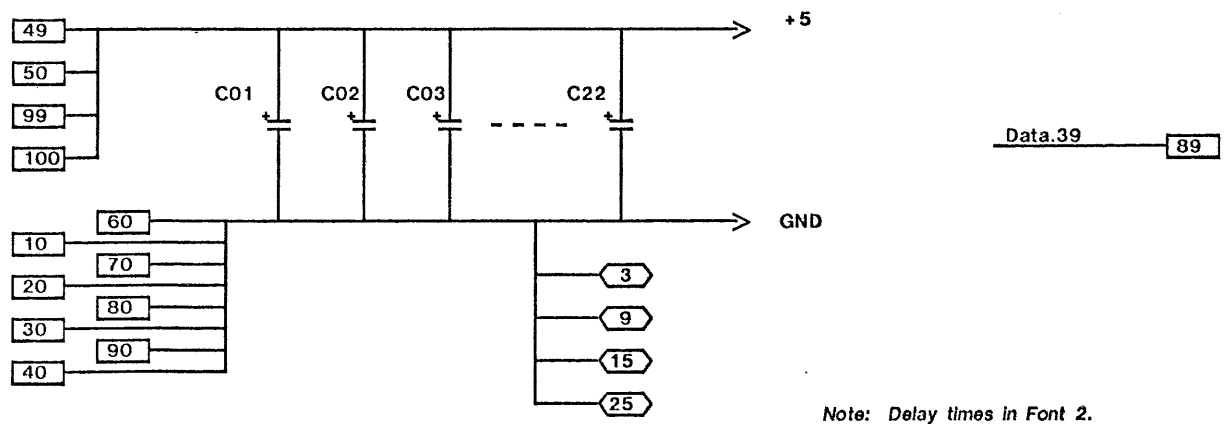
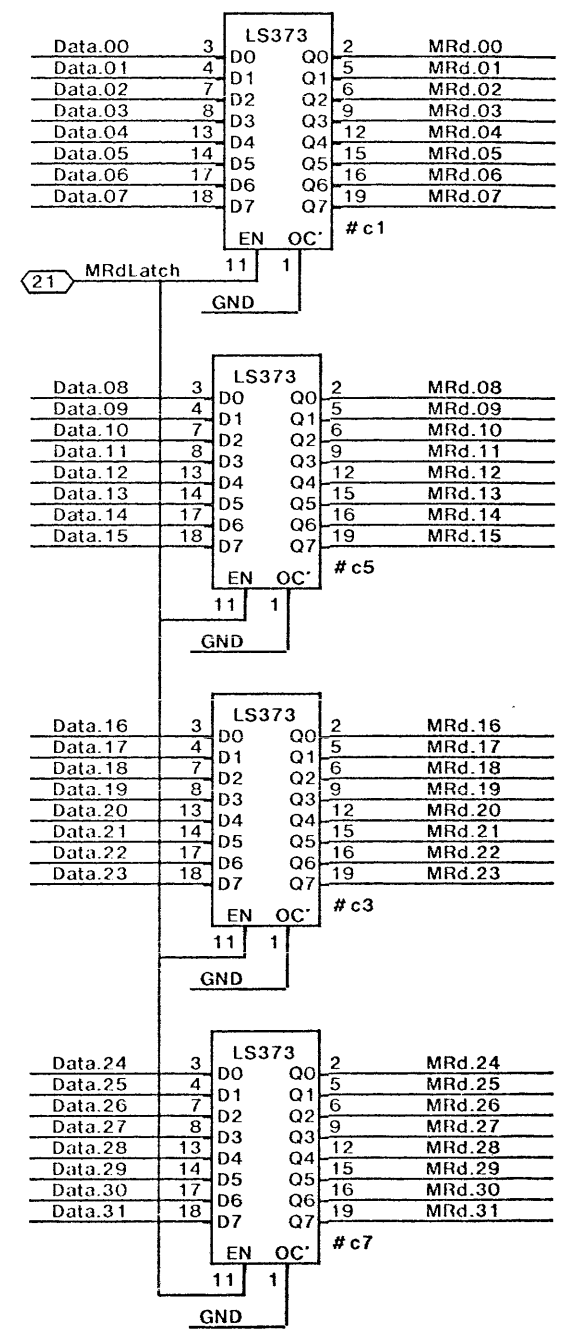
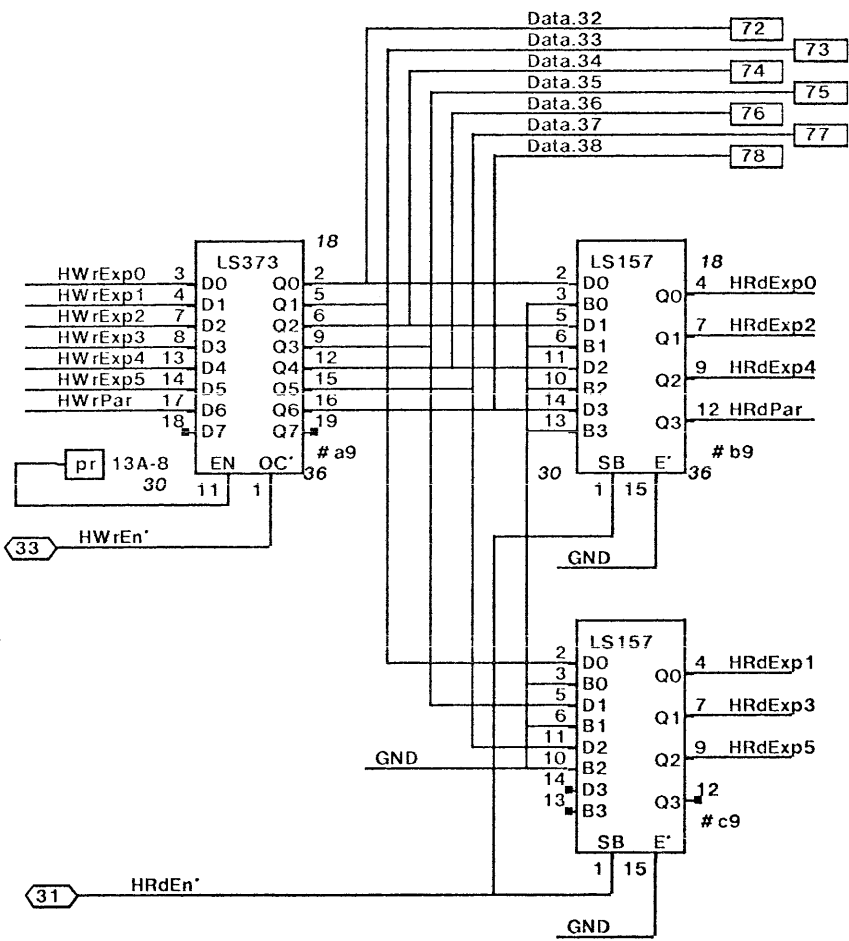
| | | | |
|---|--------|--------|---|
| Xerox Corporation El Segundo, California | | 217222 | A |
| Sheet | 3 of 4 | | |

XEROX

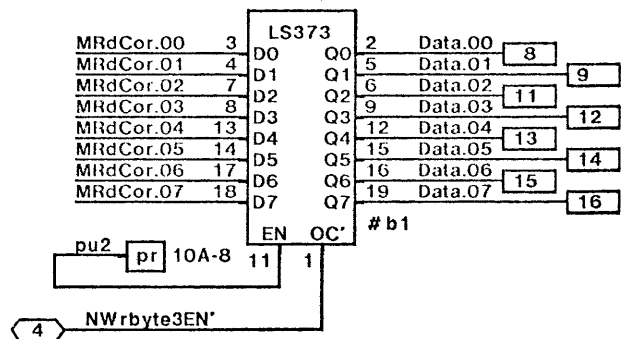
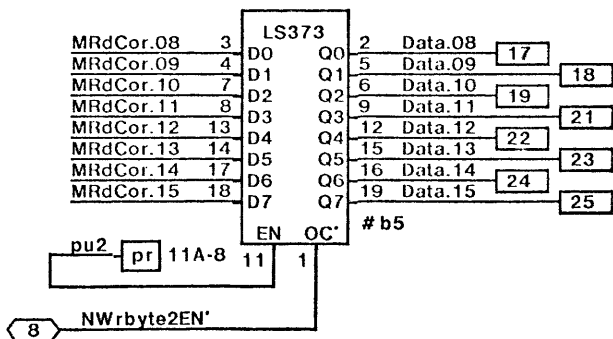
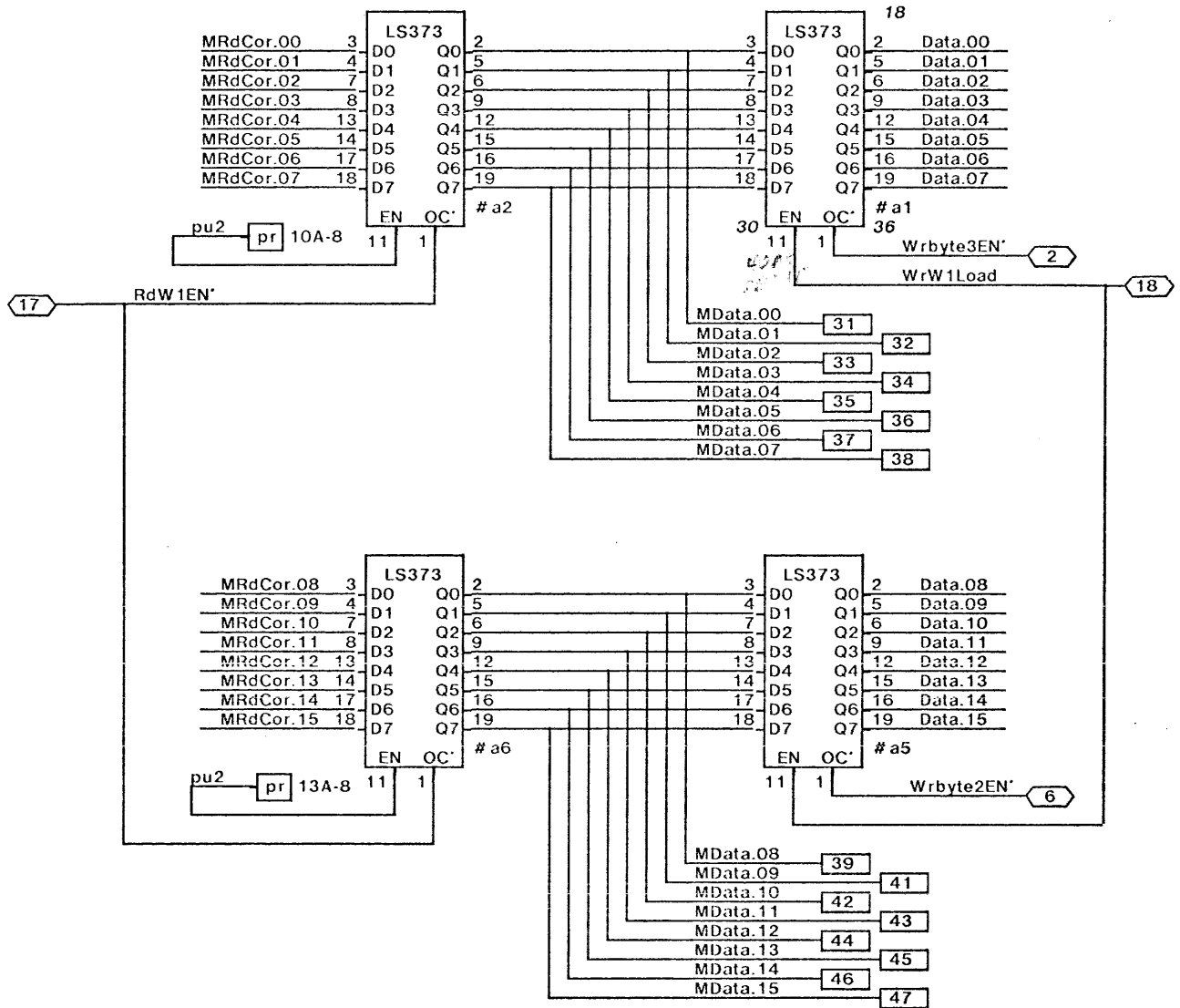
MATERIAL LIST

| | | |
|----|-----------------------|-----------|
| ML | Drawing No. 217222 | Rev. A |
|----|-----------------------|-----------|

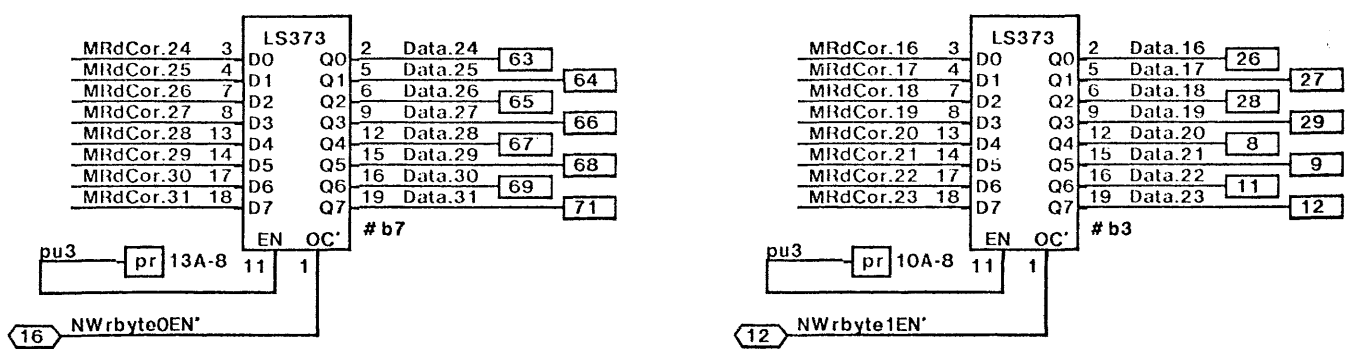
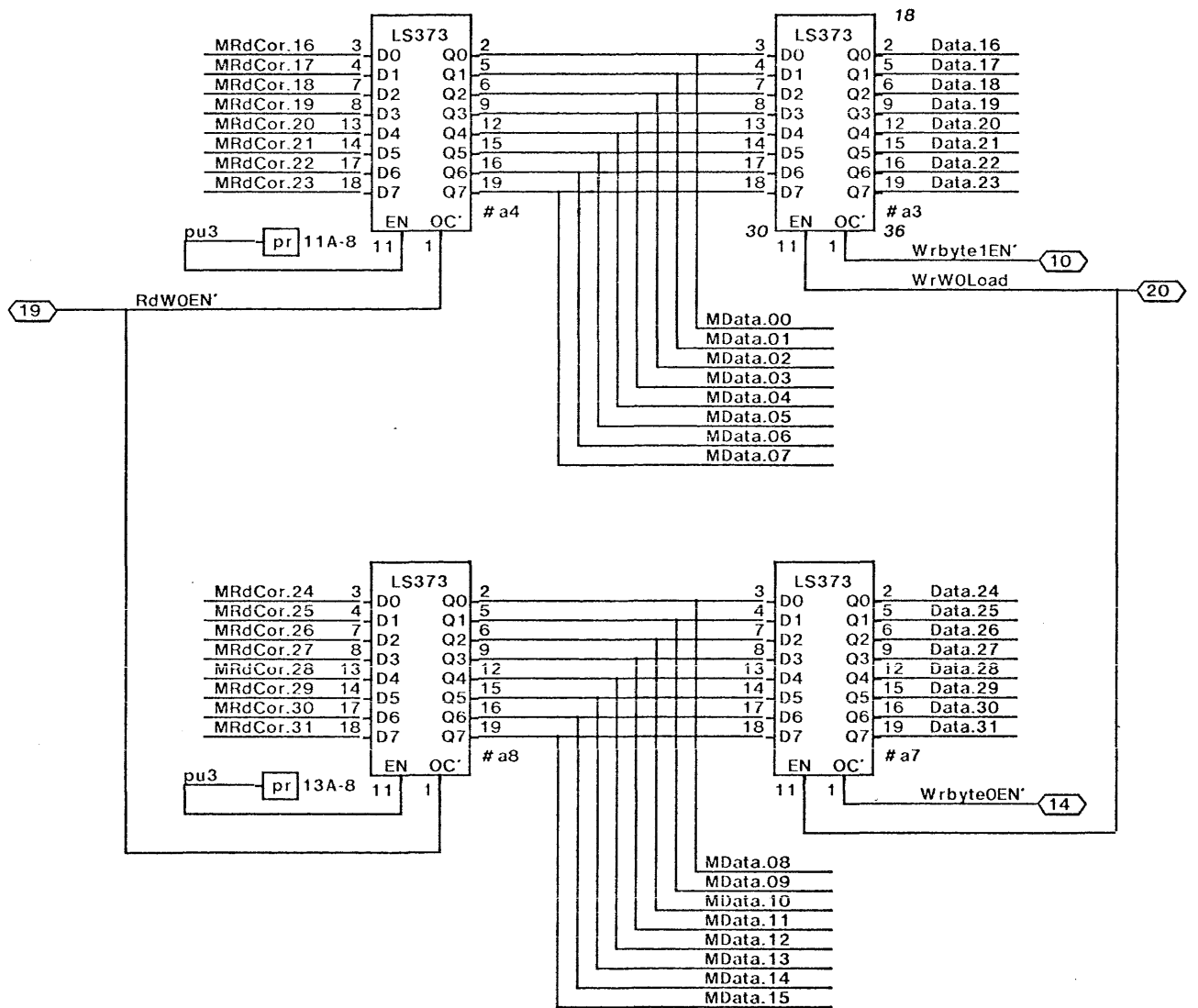
| Rev. | Drawing Title | These drawings and specifications, and the data contained therein, are the exclusive property of Xerox Corporation and or Rank Xerox, Ltd. Issued in strict confidence and shall not, without the prior written permission of Xerox Corporation Rank Xerox, Ltd., be reproduced, copied or used for any purpose whatsoever, except the manufacture of articles for Xerox Corporation or Rank Xerox, Ltd. | | |
|----------|---|--|------------------|-------------------------------|
| 2 | ASSEMBLY, PRINTED WIRING- MEMORY DATA (NOTETAKER) | Model No. NOTETAKER | Date 10-12-78 | Sheet 4 Of 4 |
| 1 | NTMD3-PWASSY.SIL | | | |
| 7 | | | | |
| 2 | | | | |
| 2 | | | | |
| 2 | | | | |
| ML | | | | |
| Item No. | Drawing Title | Drawing No. | No. Req. | Remarks |
| 1 | BOARD, PW- MEMORY DATA | 217223 | 1 | |
| 2 | | | | |
| 3 | MICROCIRCUIT 74LS138 | | 5 | D2,D3,D5,D6,D7 |
| 4 | 74LS157 | | 2 | B9,C9 |
| 5 | 74LS174 | | 1 | D9 |
| 6 | 74LS280 | | 11 | F1,F3,F5,F7,F8,G1-G7 |
| 7 | 74LS373 | | 17 | A1-A9,B1,B3,B5,B7,C1,C3,C5,C7 |
| 8 | 74S00 | | 1 | D8 |
| 9 | 74S135 | | 1 | F9 |
| 10 | 74S280 | | 1 | F8 |
| 11 | 74LS266 | | 8 | B2,B4,B6,B8,C2,C4,C6,C8 |
| 12 | MICROCIRCUIT 74S86 | | 1 | G8 |
| 13 | | | | |
| 14 | | | | |
| 15 | RESISTOR SIP CTS # 750-101-R10K | | 4 | A10,A11,A12,A13 |
| 16 | | | | |
| 17 | CAPACITOR, TANT 22uF 15V | 114491-226 | 2 | C01,C02 |
| 18 | CAPACITOR, CER .05uF AVX # DG015C563M | | 20 | C03-C22 |
| 19 | | | | |
| 20 | | | | |
| 21 | SOCKET, I.C. 14 PIN AUGAT # 514-AG11D | | 22 | |
| 22 | SOCKET, I.C. 16 PIN AUGAT # 516-AG11D | | 8 | |
| 23 | SOCKET, I.C. 20 PIN AUGAT # 520-AG11D | | 17 | |
| 24 | | | | |
| 25 | | | | |
| 26 | | | | |
| 27 | | | | |
| 28 | | | | |
| 29 | | | | |
| 30 | | | | |



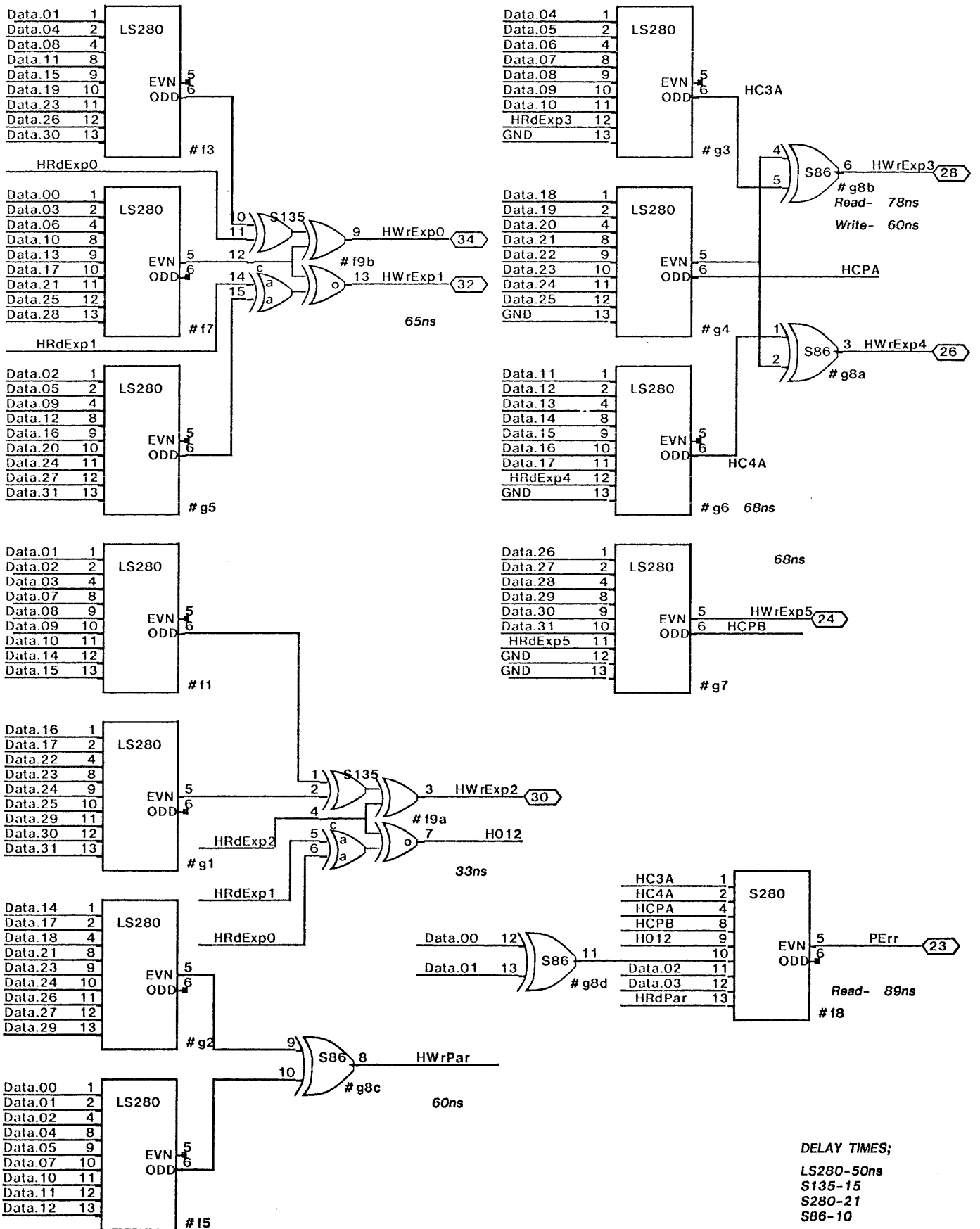
Note: Delay times in Font 2.

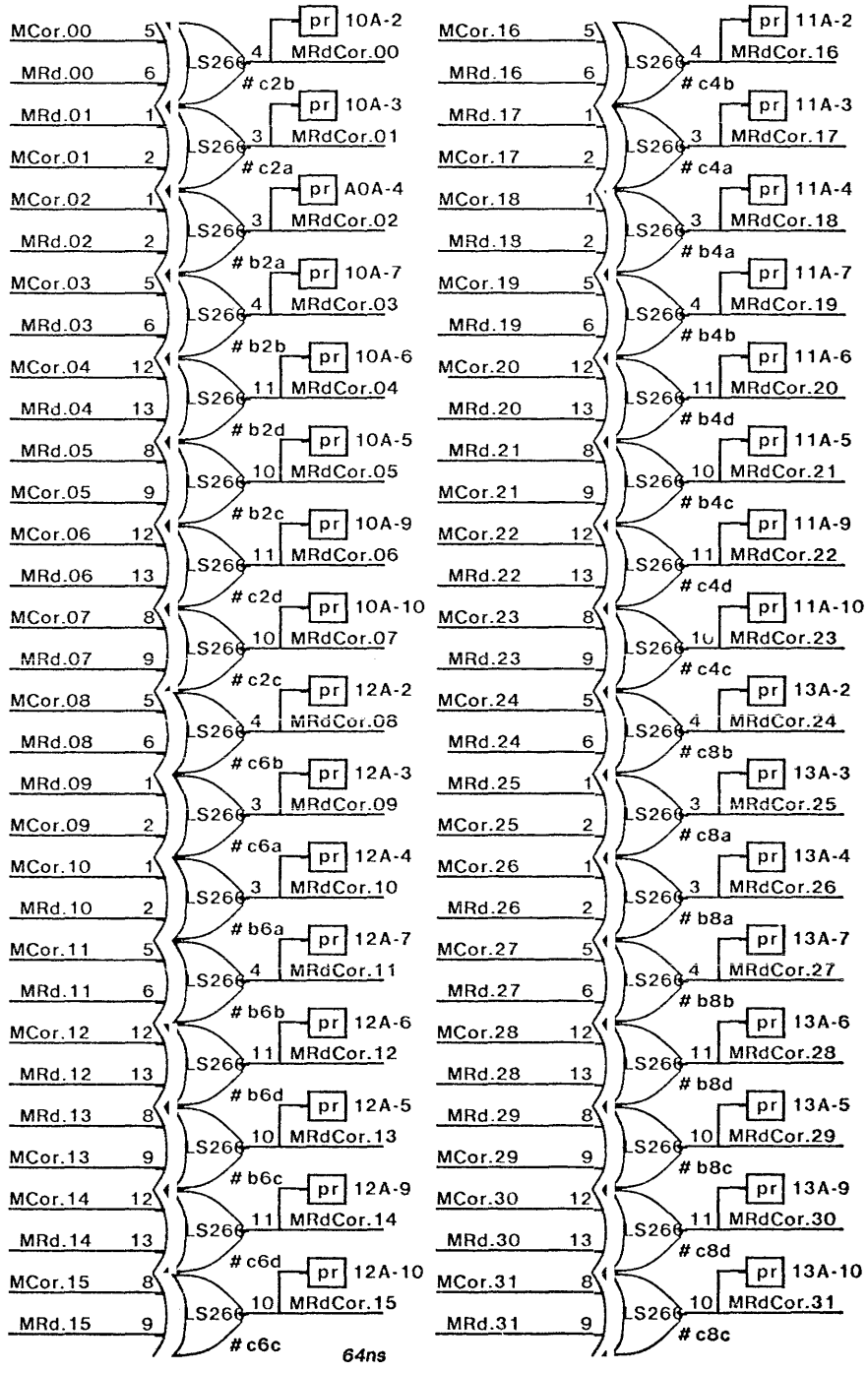
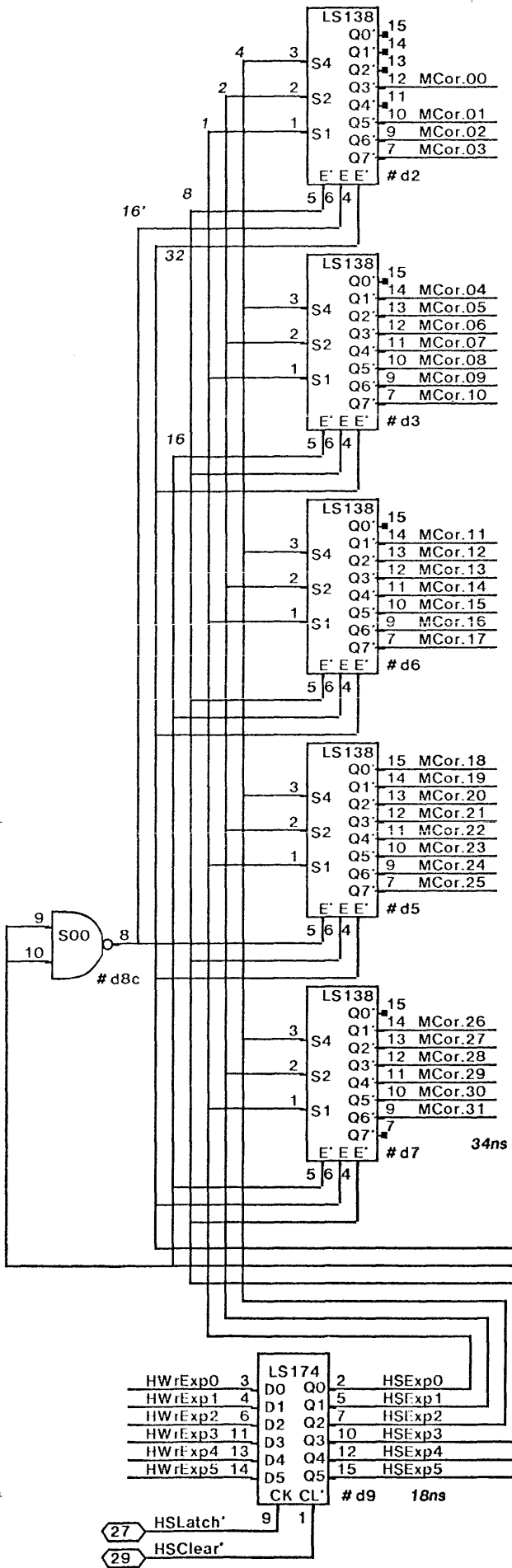


Note: Delay times in Font 2.



Note: Delay times in Font 2.





Delay Times:
 S138-12ns
 LS138-41
 LS86-30
 S174-17
 S00-5
 LS373-18, EN'30, OC'36