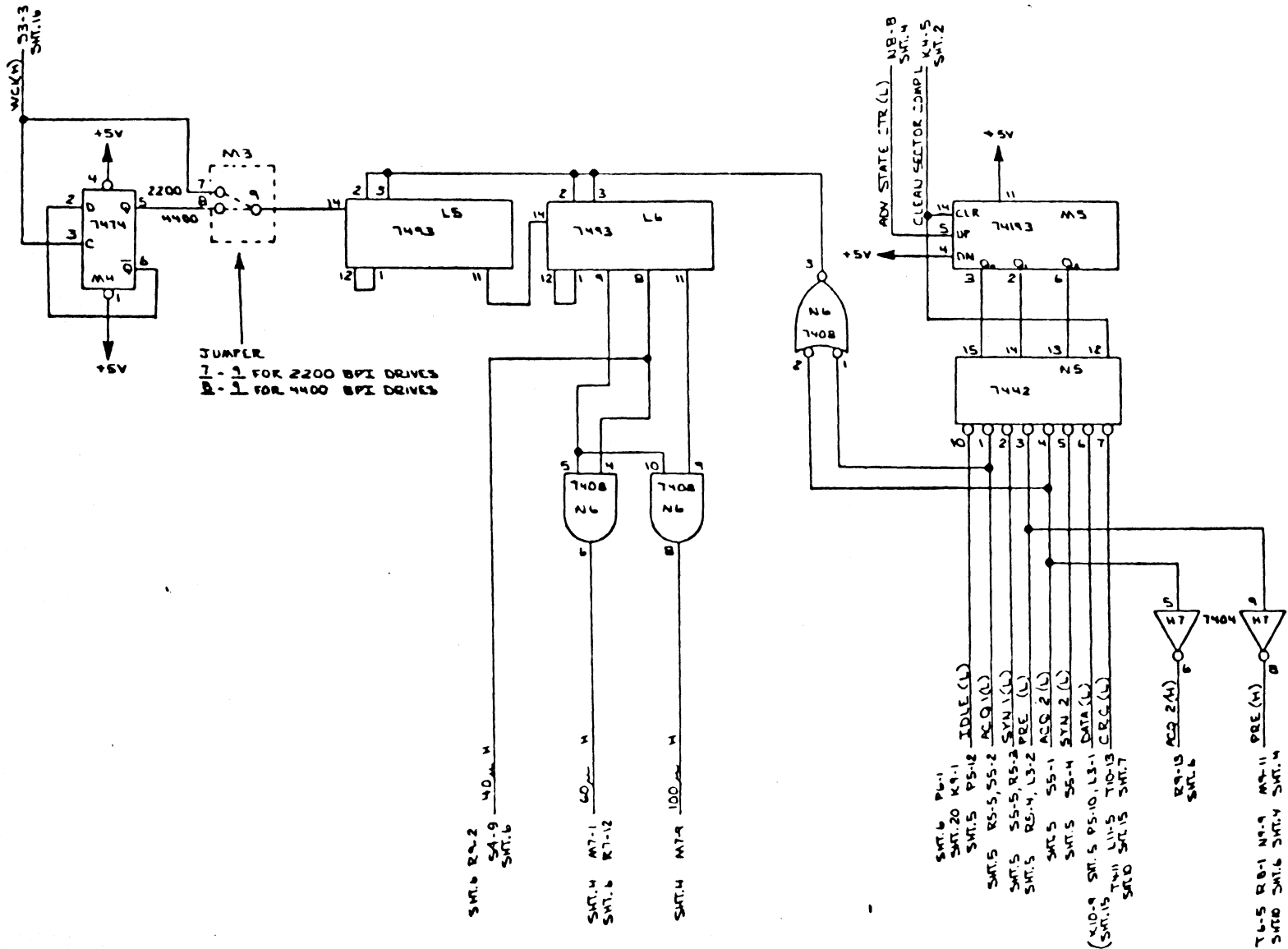
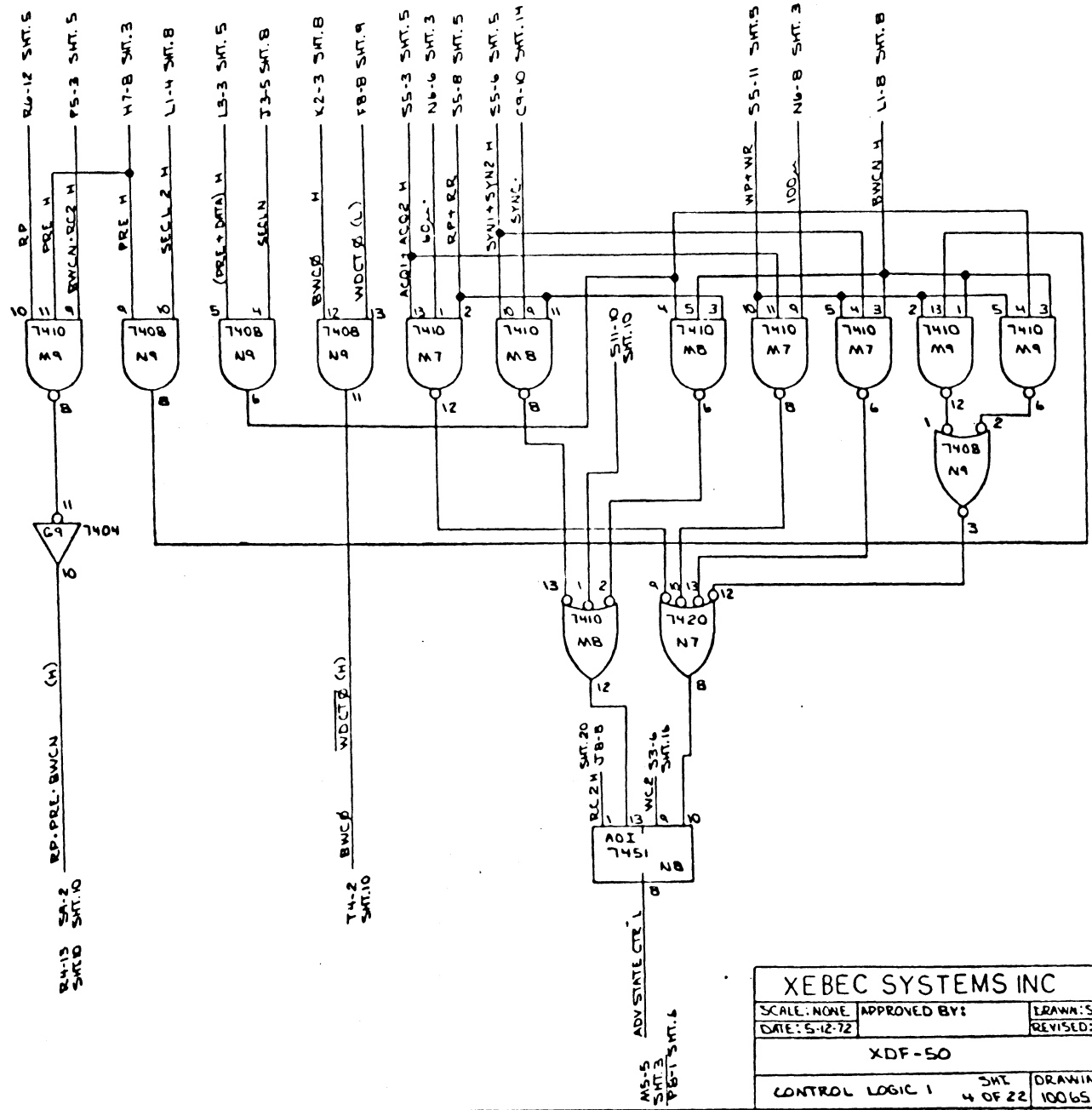


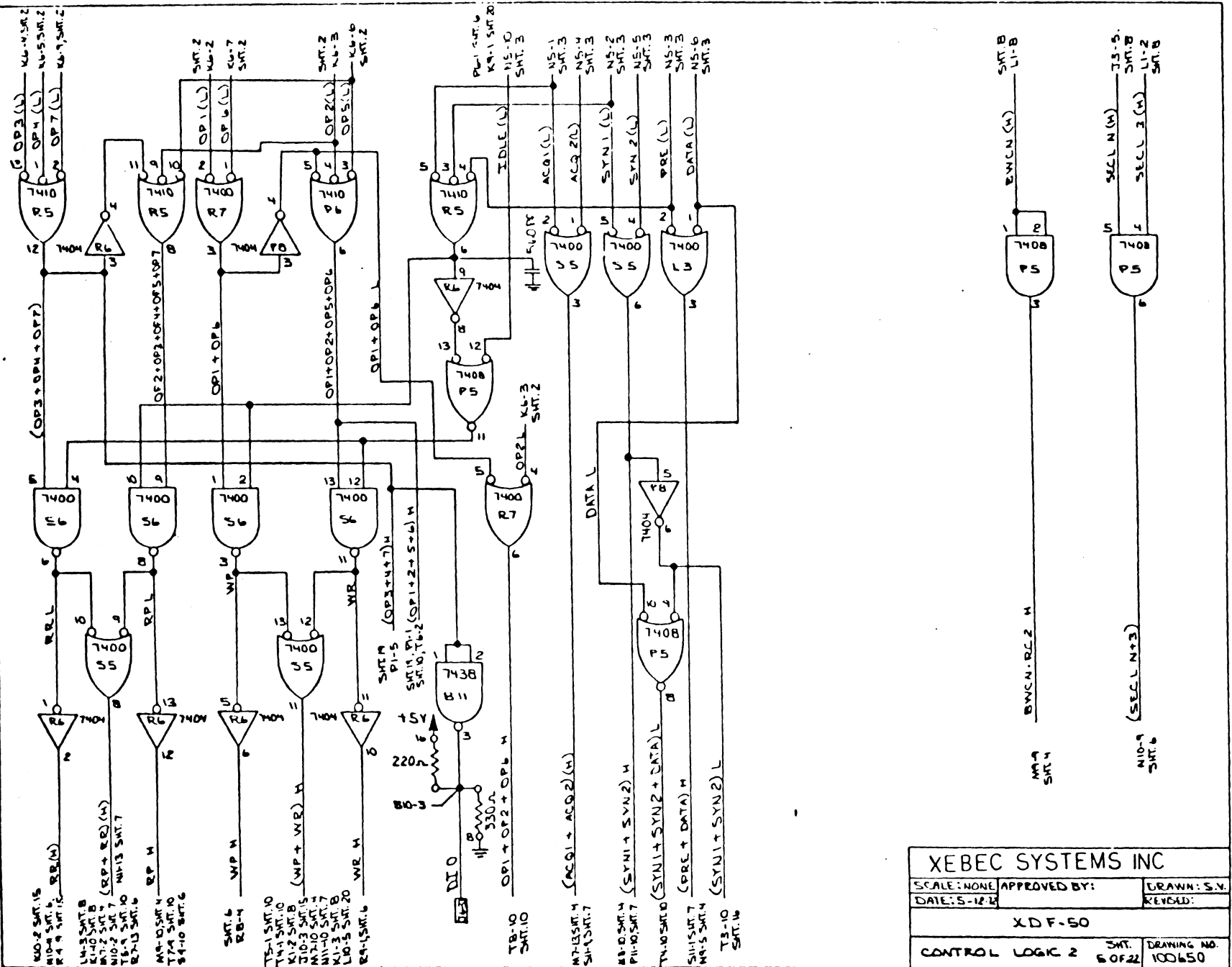
XEBEC SYSTEMS INC		
SCALE: NONE	APPROVED BY:	DRAWN: S.V.
DATE: 5-28-72		REVISED:
XDF-50		
COMMAND REG & DECODE	SMT.	DRAWING NO.
UNIT SELECT	2 OF 22	100650-



<b>XEBEC SYSTEMS INC</b>		
DATE: 6-15-72	APPROVED BY:	DRAWN: SV
SCALE: NONE		REVISED:
<b>XDF-50</b>		
SMT.	DRAWING NO.	
3 OF 22	100650	



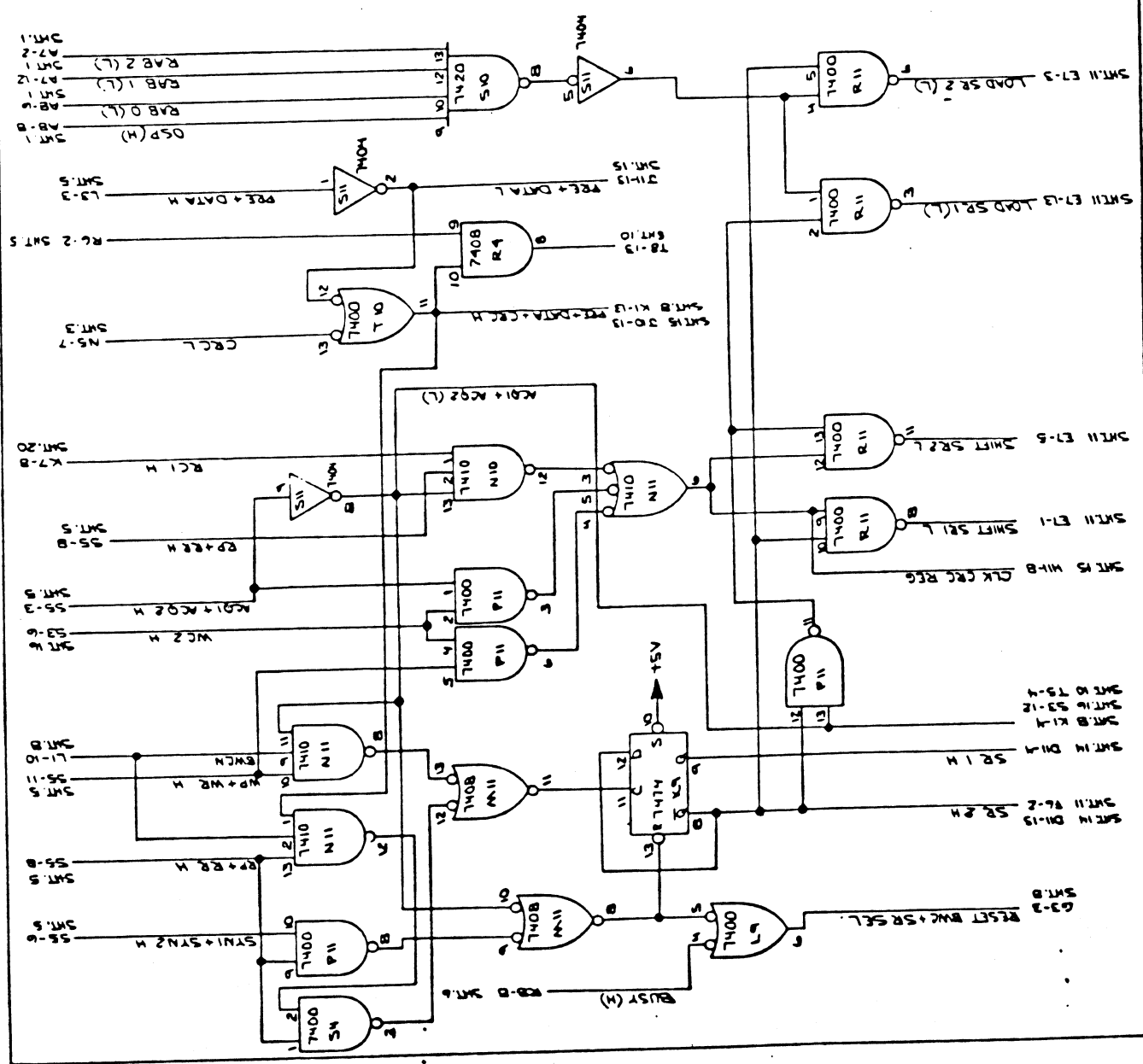
<b>XBEC SYSTEMS INC</b>		
SCALE: NONE	APPROVED BY:	DRAWN: S.V.
DATE: 5-12-72		REVISED:
XDF-50		
CONTROL LOGIC 1	SMT. 4 OF 22	DRAWING NO. 100650



<b>XEBEC SYSTEMS INC</b>		
SCALE: NONE	APPROVED BY:	DRAWN: S.V.
DATE: 5-12-68		REVISED:
XDF-50		
CONTROL LOGIC 2	SMT. 5 OF 22	DRAWING NO. 100650

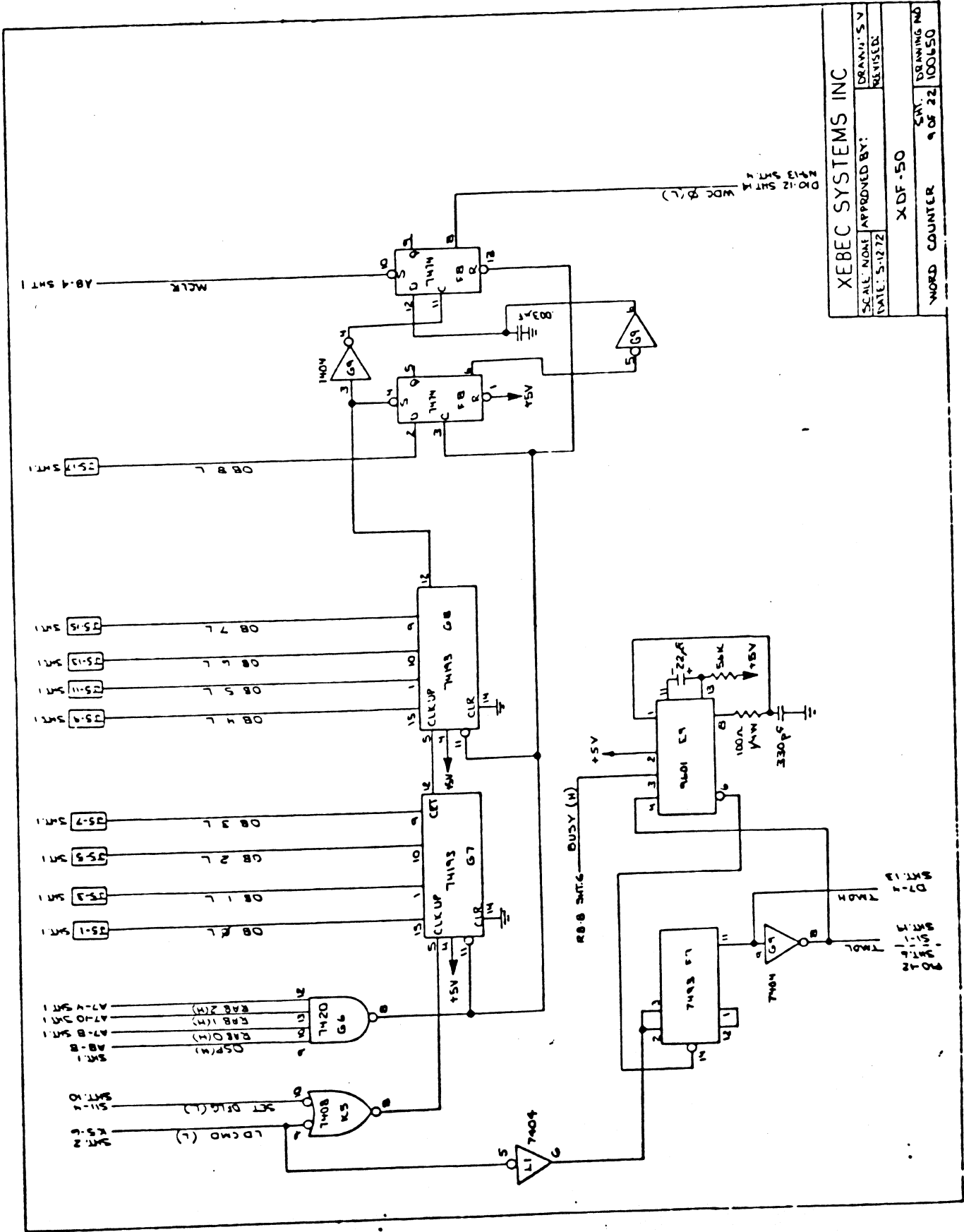


XEBEC SYSTEMS INC	
SCALE: NONE	APPROVED BY:
DATE: 5-12-72	REVISED:
XDF-50	
SWFT REG. CONTROL	SWFT DRAWING NO. 7 OF 22 000450





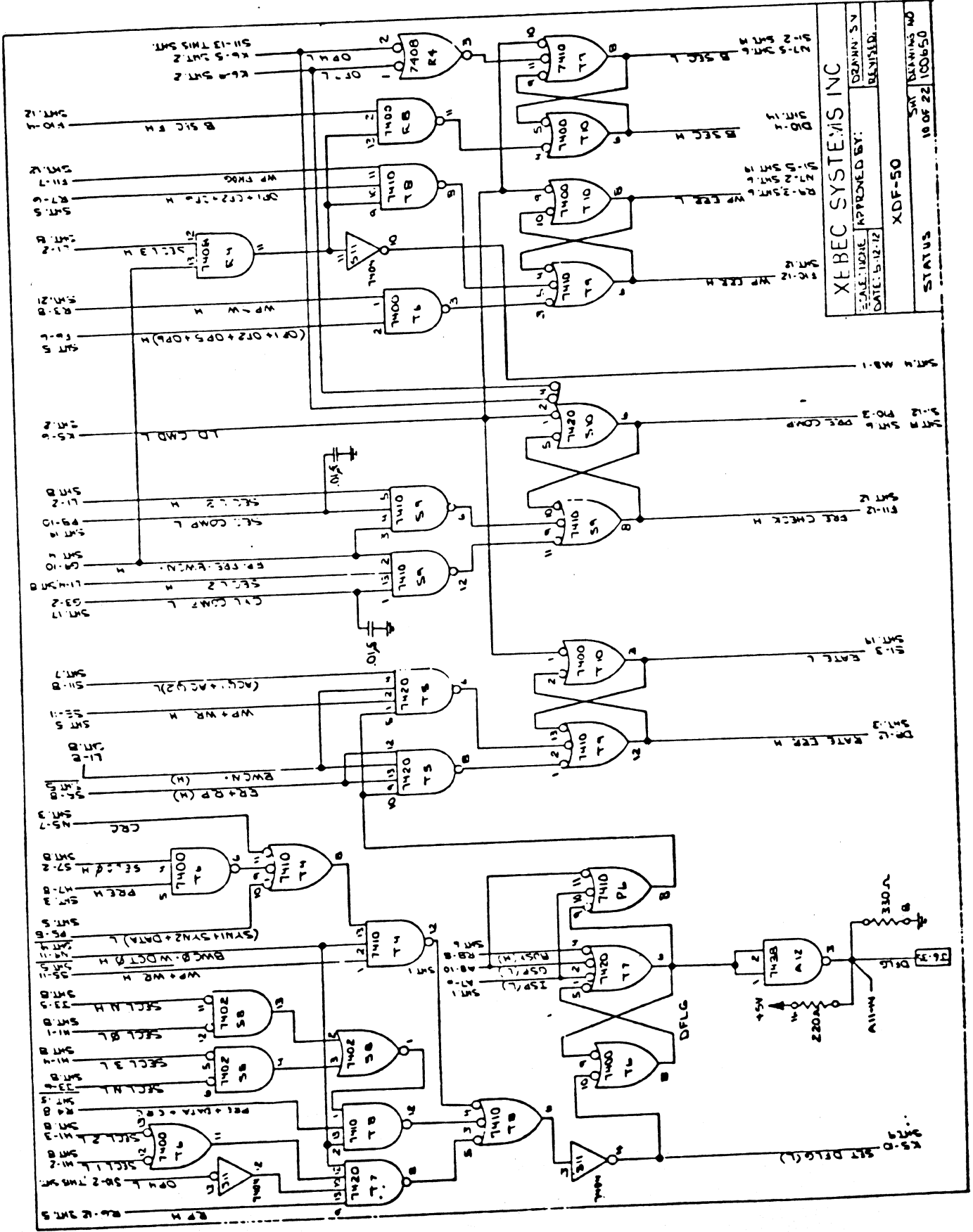




**XEBEC SYSTEMS INC**

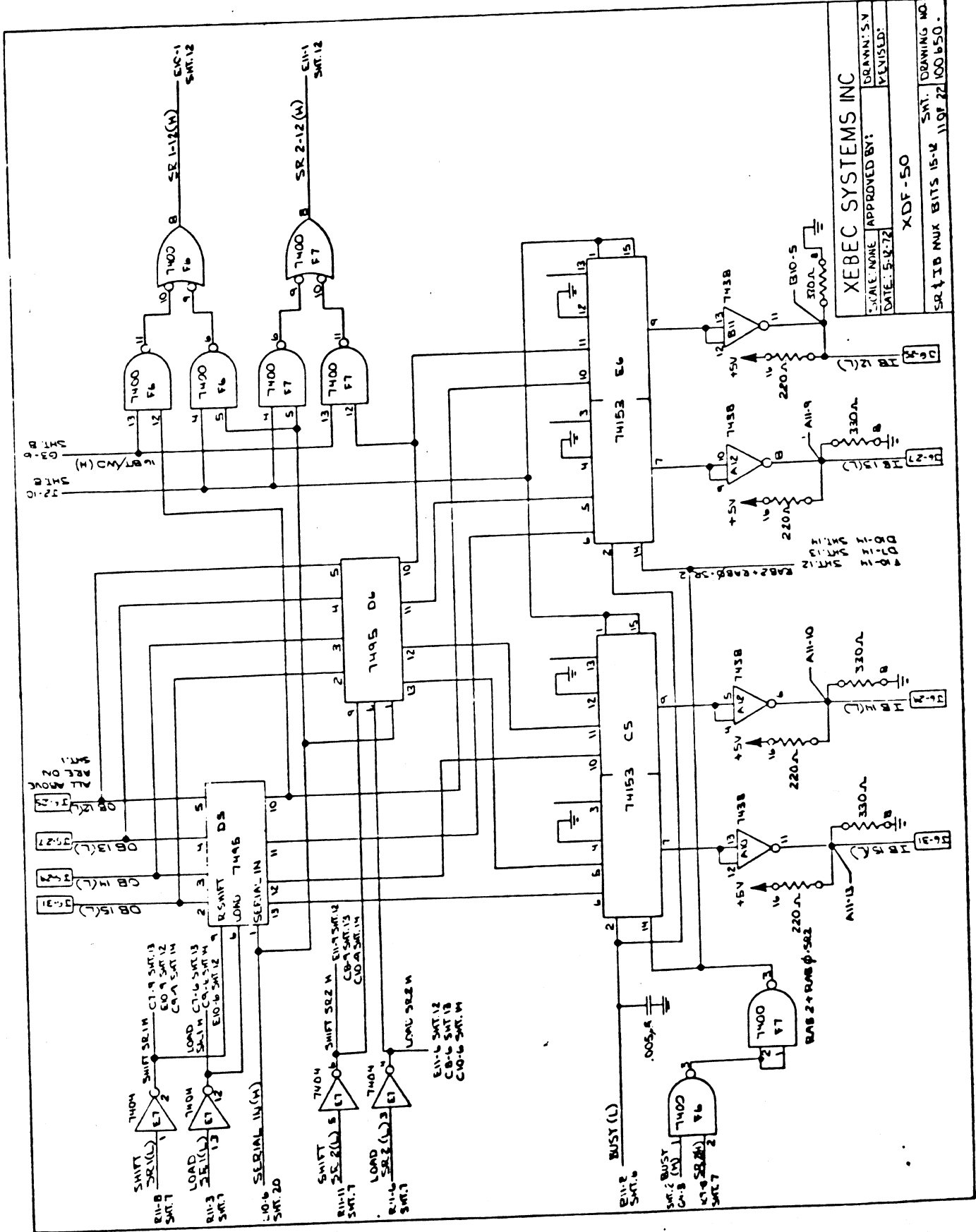
SCALE: NONE	APPROVED BY: DRAMAS V
DATE: 5-12-72	REVISED:
<b>XDF-50</b>	
WORD COUNTER	SHEET DRAWING NO 9 OF 22 100150

00 12 511  
 00 13 511  
 WDC 8(L)

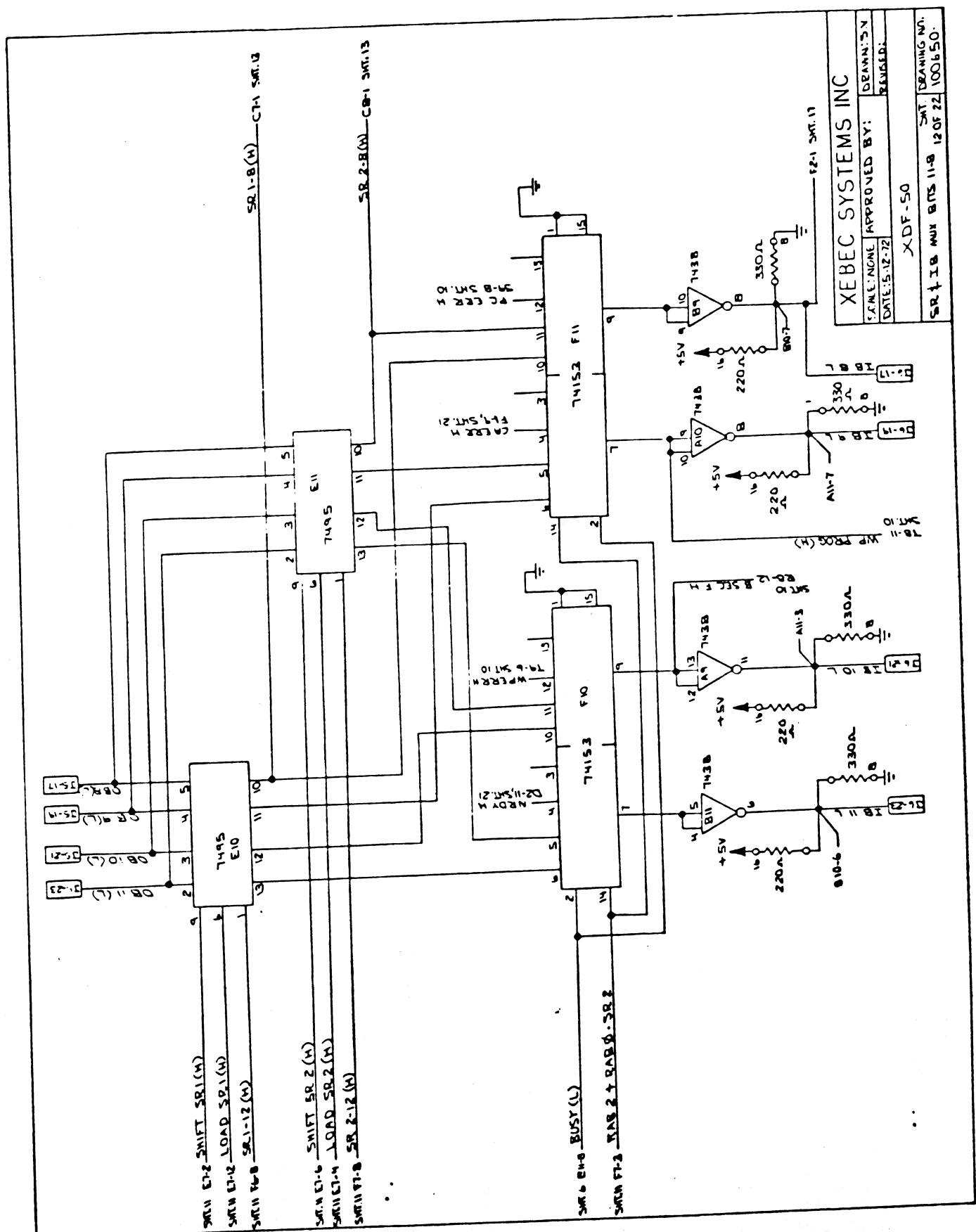


**XEBEC SYSTEMS INC**

DESIGNED BY: DZANNUN, SN  
 CHECKED BY: DESIGNED BY:  
 DATE: 5-12-72  
 XDF-50  
 STATUS: SMT DRAWING NO 10 OF 22 100650

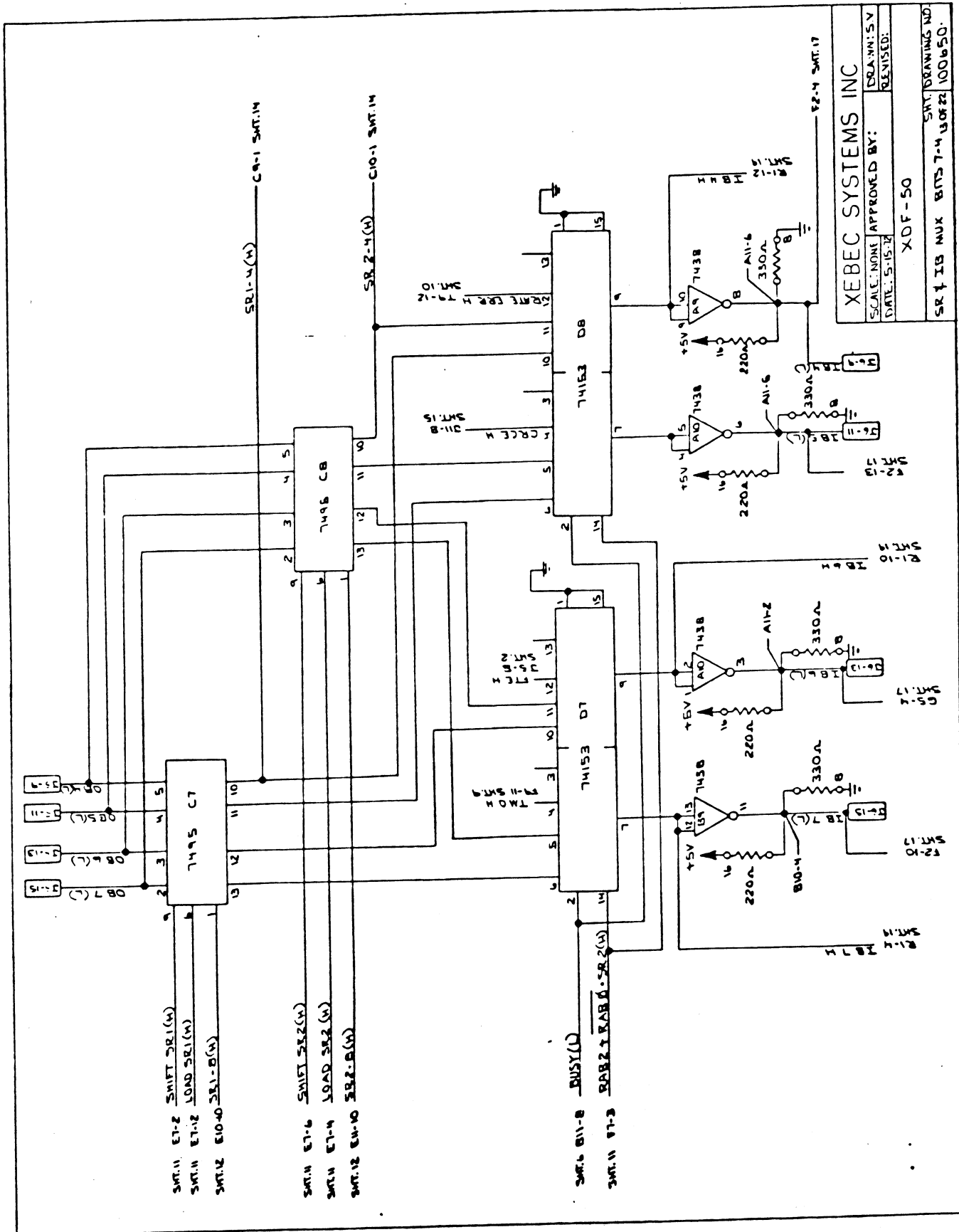


XEBEC SYSTEMS INC  
 SCALE NAME APPROVED BY: [ ] DRAWN: S.V.  
 DATE: 5-12-72 REVISED: [ ]  
 XDF-50  
 SR-13B MUX BITS 15-12 SWT. DRAWING NO.  
 1197 72 100650.



SR1-B(M) - C7A SMT.13  
 SR2-B(M) - C8-1 SMT.13  
 SR1-L - SR1-12(M)  
 SR2-L - SR2-12(M)  
 SR1-R - SR1-12(M)  
 SR2-R - SR2-12(M)

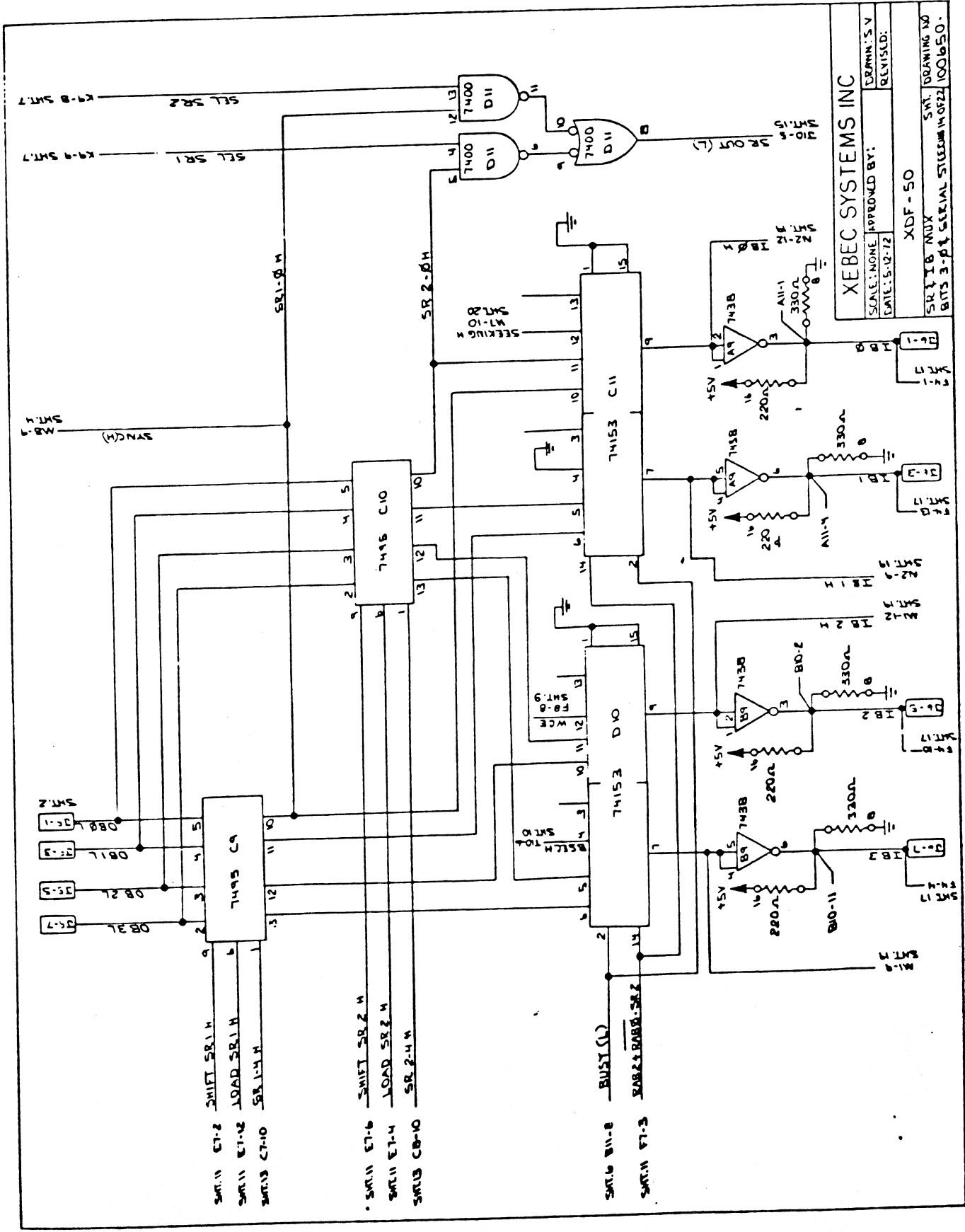
XEBEC SYSTEMS INC	
SCALE: NONE	APPROVED BY: DEANALYN
DATE: 5-12-72	REVISION:
XDF-50	
SR 1-B MUX BITS 11-8	SMT DRAWING NO. 12 OF 22 100650-



- SMT.11 E7-2 SHIFT SR1(N)
- SMT.11 E7-2 LOAD SR1(N)
- SMT.12 E10-0 SR1-B(N)
- SMT.14 E7-6 SHIFT SR2(N)
- SMT.14 E7-4 LOAD SR2(N)
- SMT.12 E4-10 SR2-B(N)

- SMT.6 B11-8 BUSTY(D)
- SMT.11 E7-3 SR2-B(B)

<b>XEBEC SYSTEMS INC</b>	
SCALE: NONE	APPROVED BY: [Signature]
DATE: 5-15-82	REVISION: [Blank]
XDF-50	
SMT. DRAWING NO. SR 1 IS MUX BMS 7-4 130E2 100650.	



XEBEC SYSTEMS INC

SCALE: NONE APPROVED BY: [Signature] DRAWN: S.V

DATE: 5-12-72 REVISED:

XDF-50

SR1-B NUX SMT DRAWING NO

SR13 3-8 SERIAL SYSTEM M022 100650-

SR1-SR4

SR5-SR10

SR11-SR14

SR1-SR5

SR6-SR10

SR11-SR14

SR1-SR5

SR6-SR10

SR11-SR14

SR1-SR5

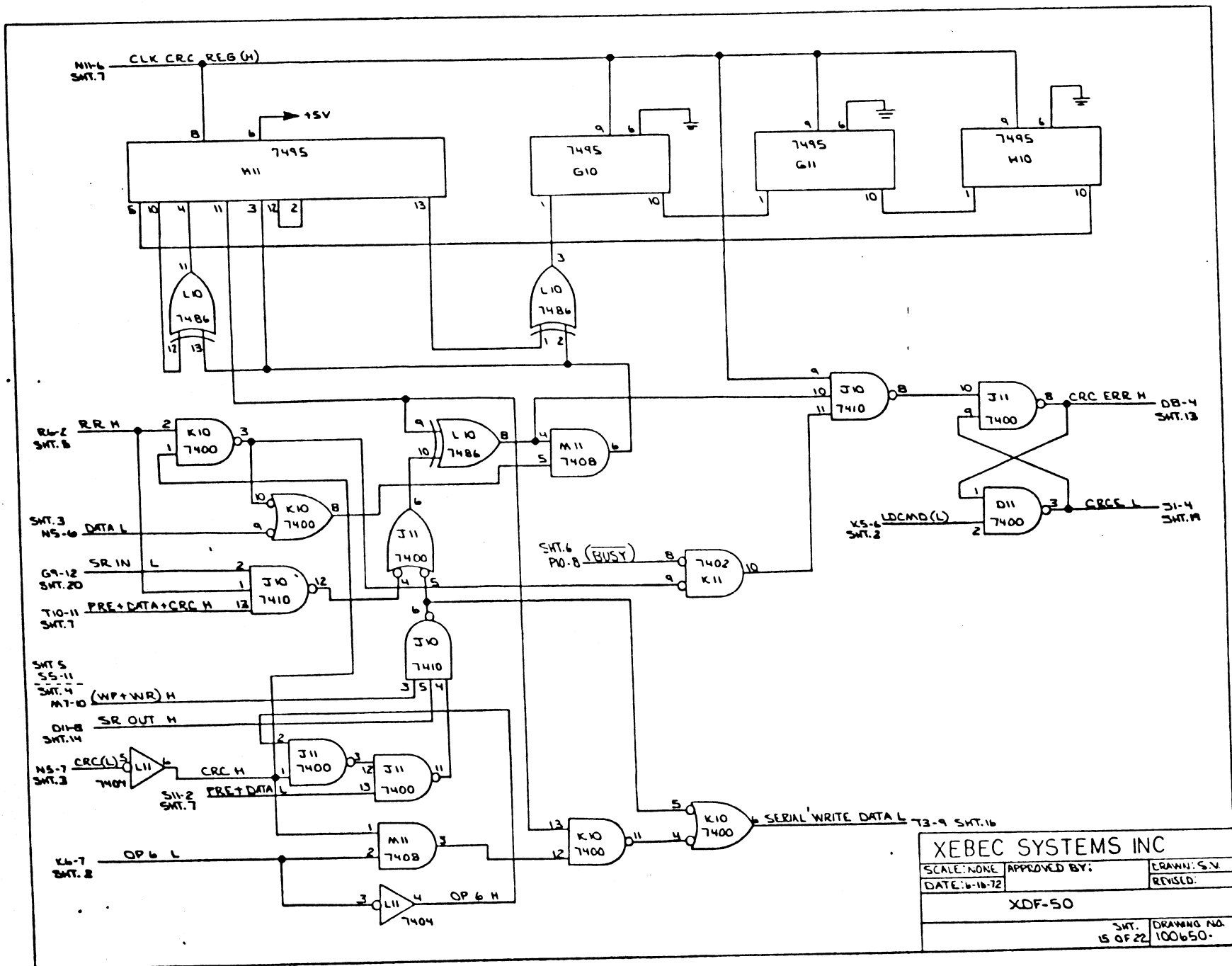
SR6-SR10

SR11-SR14

SR1-SR5

SR6-SR10

SR11-SR14

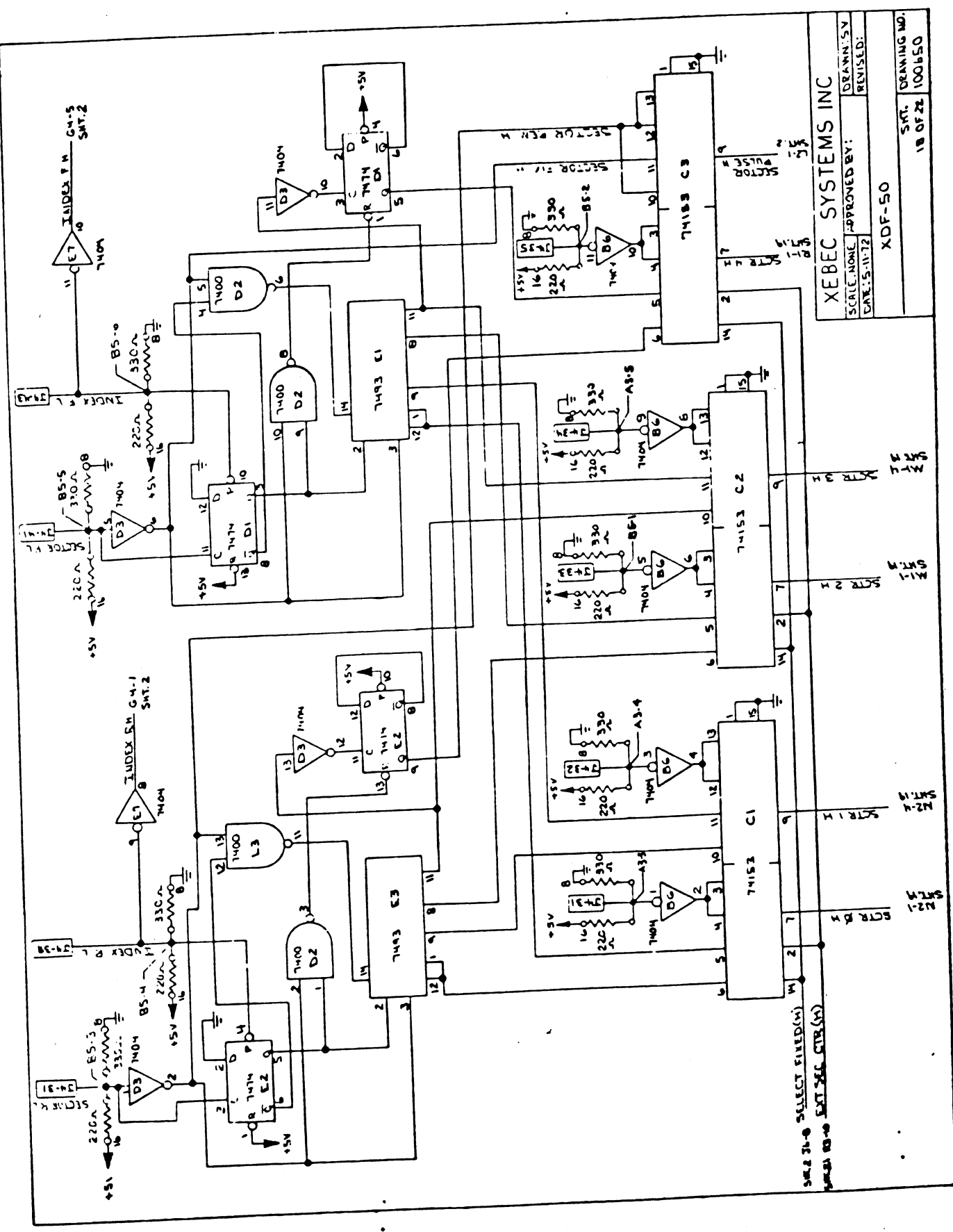


<b>XEBEC SYSTEMS INC</b>		
SCALE: NONE	APPROVED BY:	DRAWN: S.V.
DATE: 6-11-72		REVISED:
XDF-50		
SMT.		DRAWING NO.
15 OF 22		100650-





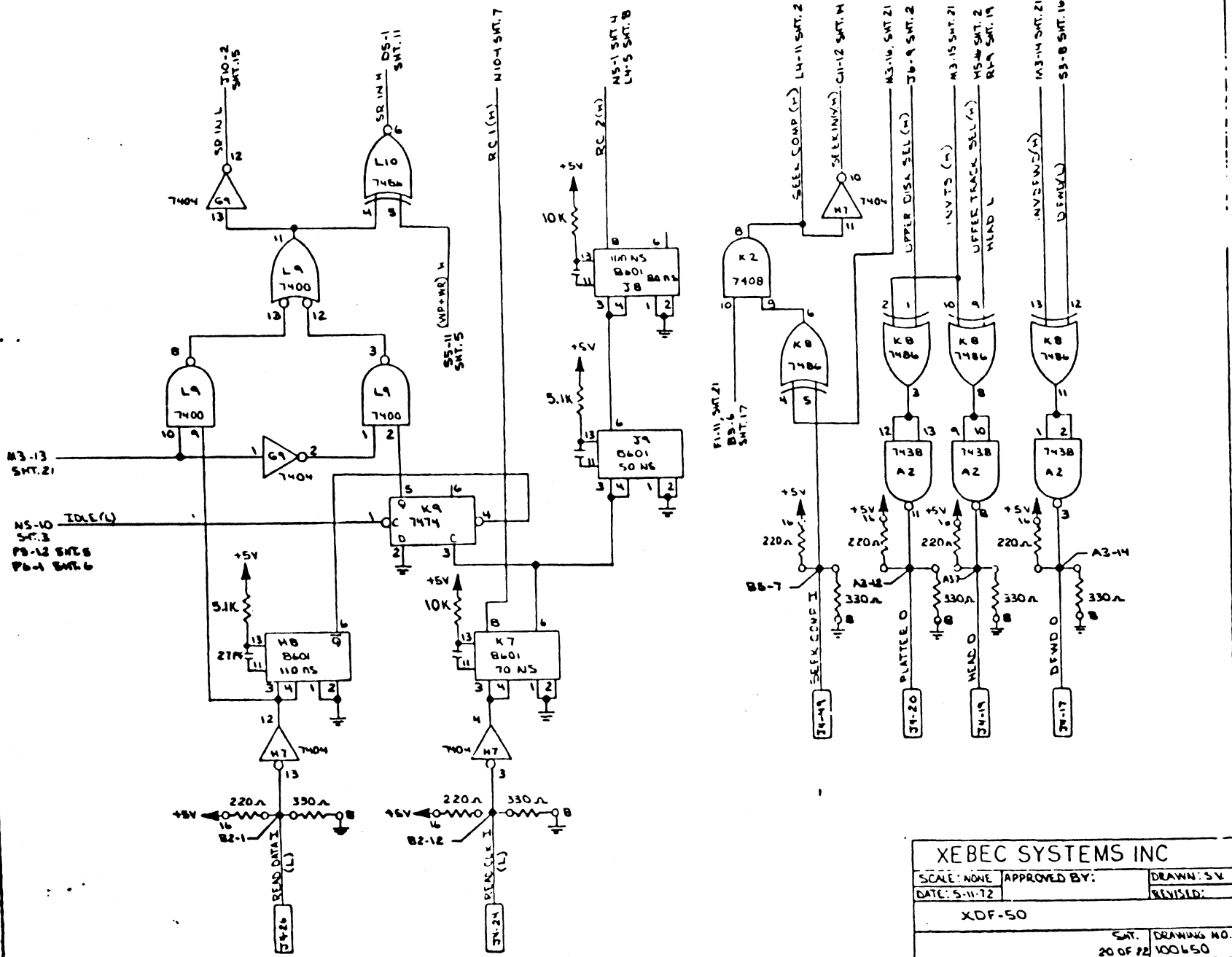




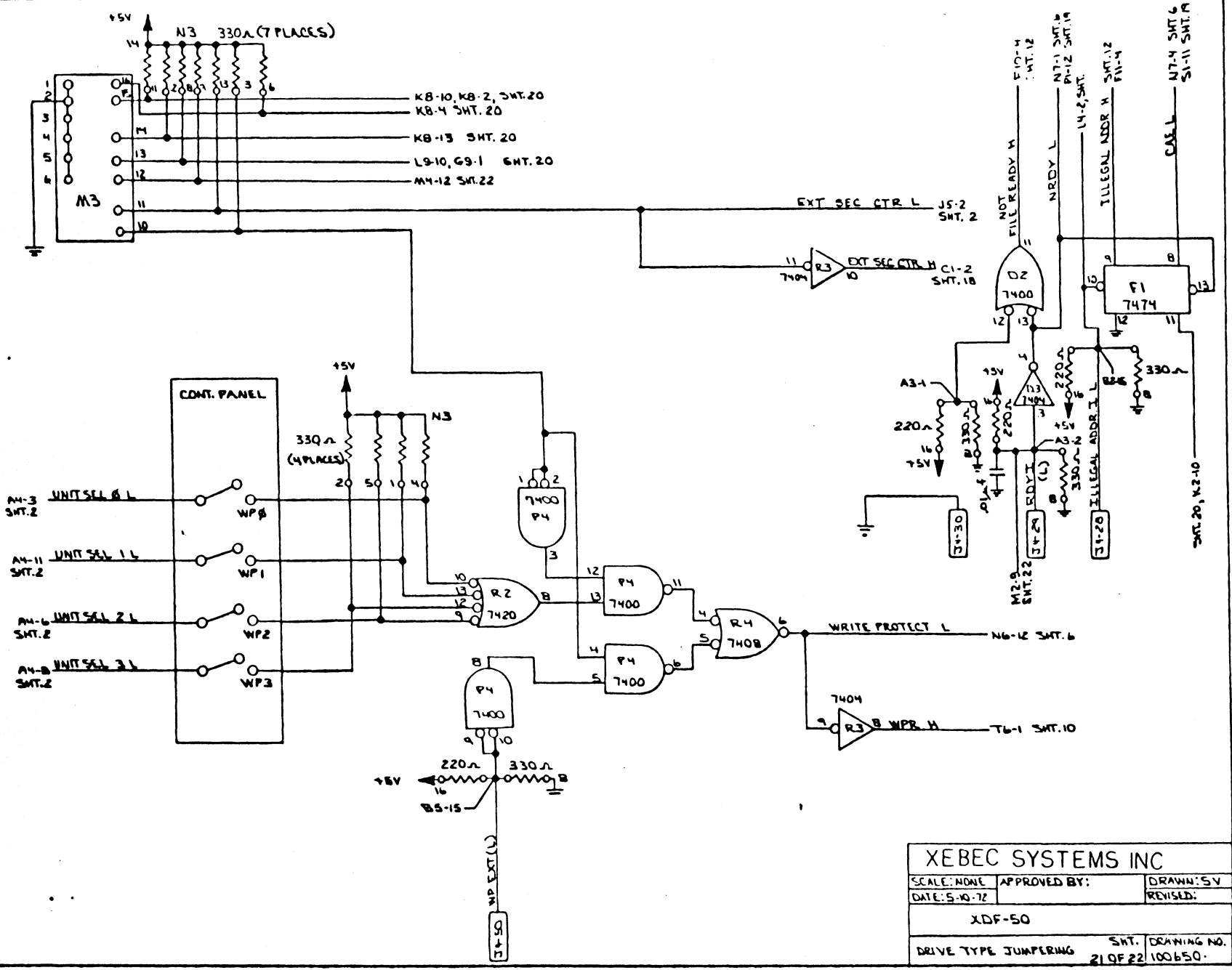
XEBEC SYSTEMS INC  
 SCALE NONE APPROVED BY: \_\_\_\_\_  
 DATE: 5-11-72 REVISED: \_\_\_\_\_  
 XDF-50  
 SMT. DRAWING NO. 18 OF 28 100650

SMT 31-0 SELECT 3-BIT(S) (M)  
 SMT 32-0 EXT 3-BIT(S) (M)  
 SMT 33-0 EXT 3-BIT(S) (M)  
 SMT 34-0 EXT 3-BIT(S) (M)





<b>XEBEC SYSTEMS INC</b>		
SCALE: NONE	APPROVED BY:	DRAWN: SV
DATE: 5-11-72		REVISED:
XDF-50		
		SMT. DRAWING NO.
		20 OF 22 100650



<b>XEBEC SYSTEMS INC</b>		
SCALE: NONE	APPROVED BY:	DRAWN: SV
DATE: 5-10-72		REVISED:
<b>XDF-50</b>		
DRIVE TYPE JUMPERING	SMT. 21 OF 22	DRAWING NO. 100650

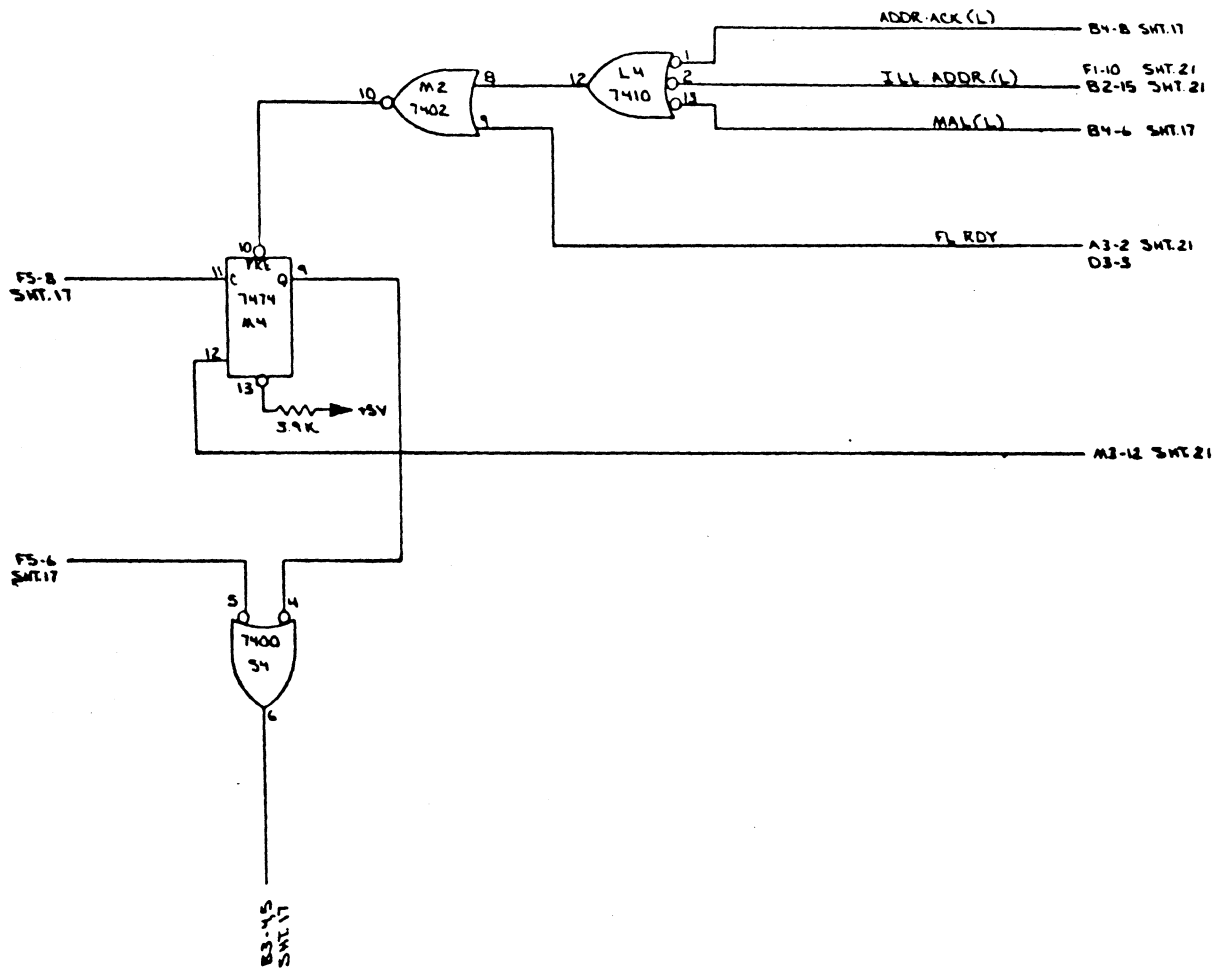
1

2

3

4

REVISIONS			
LTN	DESCRIPTION	DATE	APPROVE



<small>           NOT FINISHED UNLESS            OTHERWISE SPECIFIED            DIM. IN INCHES            UNLESS OTHERWISE SPECIFIED         </small>				
<small>           DESIGNED BY            DRAWN BY            CHECKED BY            APPROVED BY         </small>	<small>           DATE            DATE            DATE            DATE         </small>			<small>           TITLE         </small>
<small>           APPROVALS            DRAWN            CHECKED            APP         </small>	<small>           DATE            4-26-72         </small>	<small>           SCALE            NONE         </small>	<small>           DATE            C         </small>	<small>           DRAWING NO.            100650         </small>
<small>DO NOT SCALE DRAWING</small>				
<small>SHEET 22 OF 22</small>				