

TELECOMMUNICATION CONTROLLERS

LVP/MVP Models:

2228D-4E, 2228D-4A, 2228D-4X
2228D-8E, 2228D-8A, 2228D-8X

SVP Models:

OP28D-4E, OP28D-4A, OP28D-4X
OP28D-8E, OP28D-8A, OP28D-8X

PREFACE

This document is the Standard Maintenance (STD) Manual for the models of the Wang 2228D Telecommunications Controller listed in Chapter 1. It is organized in accordance with the approved STD outline established at the Field/Home Office Publications meetings conducted on September 14th and 15th, 1982. The scope of this manual reflects the type of maintenance philosophy selected for this product (swap unit, printed circuit assembly, chip level or any combination thereof).

The purpose of this manual is to provide the Wang-trained Customer Engineer (CE) with instructions to operate, troubleshoot and repair the above mentioned models of the 2228D. It will be updated on a regular schedule.

Second Edition (January, 1984)

This edition of the Telecommunications Controller STD manual obsoletes document no. 729-1305. The material in this document may only be used for the purpose stated in the Preface. Updates and/or changes to this document will be published as Product Service Notices (PSN's) or subsequent editions.

This document is the property of Wang Laboratories, Inc. All information contained herein is considered company proprietary, and its use is restricted solely for the purpose of assisting the Wang-trained CE in servicing this Wang product. Reproduction of all or any part of this document is prohibited without the prior consent of Wang Laboratories, Inc.

© Copyright WANG Labs., Inc. 1983, 1984

TABLE OF CONTENTS

Chapter		Page
	LIST OF ILLUSTRATIONS	vi
	LIST OF TABLES	vi
1	INTRODUCTION	1-1
	1.1 Scope & Purpose	1-1
	1.2 General Description	1-2
	1.3 Controller Option	1-2
2	THEORY OF OPERATION	
	2.1 Introduction	2-1
	2.2 Z80A CPU	2-1
	2.3 The 2200 Interface	2-3
	2.3.1 2200 I/O Bus Signals	2-4
	2.3.2 Addressing the 2228D Controller	2-5
	2.3.3 Resetting the 2228D by the 2200	2-5
	2.3.4 2200 Request Status Register	2-5
	2.3.5 Parallel Input/Output (PIO) Chip	2-6
	2.4 Serial Input/Output (SIO/2) Chip and Modem Interface	2-6
	2.4.1 Clock Mode Register and Internal/External Timing	2-7
	2.4.2 Synchronous Input/Output (SIO) Chip and Modem RS-449 Interface	2-8
	2.4.3 NRZ/NRZI Mode	2-8
	2.4.4 Character Recognition	2-8
	2.5 9517-1 - DMA Chip	2-9
	2.5.1 DMA Multiple EOP/CBS Latch Circuit	2-10
	2.5.2 DMA Channel 0 and 1 Requests Latch	2-10
	2.6 Counter Timer Chip (CTC)	2-10
	2.7 Automatic Calling Unit (ACU)	2-12
	2.7.1 Functional Description of ACU Signals	2-12
	2.8 Synchronous Input/Output (SIO) Chip and X.21 Interface	2-14
	2.9 Memory Organization	2-15
	2.9.1 Multiplexed Memory Addressing	2-15
	2.9.2 Multiplexed Timing Considerations	2-15
	2.10 Write Bad Parity (OUT '71')	2-16
	2.11 LED Status Display (IN '70')	2-16

TABLE OF CONTENTS (continued)

Chapter		Page
3	OPERATION	3-1
	3.1 Controls and Indicators	3-1
	3.1.1 LED Indications	3-3
4	INSTALLATION	4-1
	4.1 Parts Required	4-1
	4.2 PROM and RAM Check	4-1
	4.3 Switch Settings	4-1
	4.4 External Loopback Test (Power-Up)	4-3
	4.5 2228D-(All) Diagnostics/Tests	4-4
	4.5.1 Power-Up Diagnostics (Description)	4-4
	4.5.2 Power-Up Error Code Interpreter	4-4
	4.5.2.1 Introduction	4-4
	4.5.2.2 Program Description	4-5
	4.5.2.3 Operation	4-5
	4.5.3 Field Level Diagnostics	4-5
	4.5.3.1 Configuration Requirements	4-5
	4.5.3.1.1 Hardware	4-5
	4.5.3.1.2 Software	4-6
	4.5.3.1.3 Program Description	4-6
	4.5.3.1.4 Load Procedure	4-7
	4.5.3.1.5 Revision History	4-7
	4.5.3.1.6 Loopback Connector Part Numbers	4-7
	4.6 Interconnection With Modems	4-8
	4.6.1 Optional Cables	4-8
5	MAINTENANCE	5-1
6	SCHEMATICS	6-1
7	ILLUSTRATED PARTS BREAKDOWN	7-1

TABLE OF CONTENTS (continued)

Chapter		Page
8	TROUBLESHOOTING	8-1
	8.1 Introduction	8-1
	8.2 Troubleshooting Flow Charts	8-2
	8.2.1 External/Internal Loop Test	8-2
	8.2.2 Field Level Tests	8-3
Appendix		Page
A	DIAGNOSTIC PART NUMBERS	A-1
B	MODEM INTERFACE SIGNALS	B-1
C	FIELD LEVEL DIAGNOSTIC ERROR CODES	C-1
D	RAM CHIP LAYOUTS	D-1
E	EIA INTERFACE TEST SET AND BREAKOUT BOXES	E-1
F	LOOPBACK CONNECTOR DIAGRAMS	F-1

LIST OF ILLUSTRATIONS

Number	Title	Page
2-1	Block Diagram of 2228D TC Controller	2-2
3-1	2228D-4E/8E Controller Assembly	3-1
3-2	2228D-4E/8E Mounting Panel	3-2
3-3	210-7858-A Motherboard	3-2
3-4	210-7855-A Daughterboard	3-3
4-1	Controller Switch Settings	4-2
F-1	RS-232 Loopback Connector (WLI #420-1040)	F-1
F-2	RS-232-366 Loopback Connector (WLI #420-1041)	F-2
F-3	RS-366/ACU Loopback Connector (WLI #420-1104)	F-3
F-4	RS-449 Loopback Connector (WLI #270-3193)	F-4
F-5	X.21 Loopback Connector (WLI #421-0010)	F-5

LIST OF TABLES

1-1	Latest 2228D Products	1-4
-----	-----------------------	-----

CHAPTER

1

**INTRO-
DUCTION**

CHAPTER 1
INTRODUCTION

1.1 SCOPE & PURPOSE

This manual contains information necessary to install and maintain the models of the Wang 2228D Telecommunications Controller listed below. Included are installation and operation instructions, a functional block level theory of operation, maintenance information, schematic diagrams, troubleshooting information and appropriate appendices. With the aid of this manual the Wang Customer Engineer will be able to make all necessary cable connections, perform initial turn-on and system checkout, analyze failures and troubleshoot faults down to the major component and board level and remove and replace major components.

The models covered in this manual are:

2228D-4E	OP28D-4E
2228D-8E	OP28D-8E
2228D-4A	OP28D-4A
2228D-8A	OP28D-8A
2228D-4X	OP28D-4X
2228D-8X	OP28D-8X

When reference is made in this manual to all of the above models as a group, the designation 2228D (ALL) will be used.

NOTE

Previously released engineering hardware and software documents may refer to the 2228E and the 2228F controllers. The 2228E refers to the 2228D-4E/4A/4X while the 2228F refers to the 2228D-8E/8A/X.

This document does not cover the older 2228D-4 RS-232/RS-449 model (210-7658/210-7659).

1.2 GENERAL DESCRIPTION

The 2228D-(All) Telecommunications Controllers are microprocessor based and capable of supporting a variety of protocols over an asynchronous/synchronous data link. The controllers are a motherboard/daughterboard combination. The 64K version consists of the 210-7857-A, 210-7858-A or 210-7859-A motherboard and 210-7659-C daughterboard. The 128K version includes the same motherboards but with 210-7855-A daughterboard. These controllers will support X.21 connections in addition to all RS232 and RS449 connections currently supported by the older 2228D-4 controllers.

The 2228D-(128K) TC Controller daughterboard (210-7855-A) is an expanded memory option of the previous 2228D-(64K) daughterboard (210-7659). The 2228D-(64K) daughterboard has a 64K x 9 memory structure and the 2228D-(128K) daughterboard has a 128K x 9 memory structure. Refer to paragraph 1.3 for complete part number matrix for the motherboard and daughterboard combinations.

Transmission speed at the modem side will support rates up to and including 9600 BAUD. In addition, full duplex capability and support of HDLC/SDLC protocols is possible.

The previous 2228D-4 and OP28D-4 controllers are combined RS-232/RS-449 (210-7658) switch selection connection controllers and were designed to support the IBM 3271 BSC Emulation (195-2159). All orders for the IBM 3271 BSC Emulation still require this version of the controller. Therefore, the 2228D-4 and OP28D-4 controllers have been put back into the pricing manual. It should be noted that this controller does not support auto-dial and that only the RS-232 interface is implemented with the IBM 3271 BSC Emulation.

1.3 CONTROLLER OPTIONS

A summary of the 2228D and OP28D controller revisions follows:

- All 32K TC Controllers (2228D-2 and OP28D-2) are being discontinued. All software products that were announced to operate on a 32K controller now require a minimum of a 64K controller.
- The two RS-449/RS-336 connection controllers (2228D-4A and OP28D-4A) will only be available on special request.

The actions taken in replacing the various controller versions is shown below:

<u>----- Old Controllers -----</u>				<u>----- Current Controllers-----</u>		
<u>LVP/MVP</u>	<u>SVP</u>	<u>Description</u>	<u>Action</u>	<u>LVP/MVP</u>	<u>SVP</u>	<u>Description</u>
2228D-2	OP28D-2	32K,RS-232/449	Replaced by	2228D-4E	OP28D-4E	64K,RS-232/366
2228D-2A	OP28D-2A	32K,RS-449/366	Replaced by	2228D-4A	OP28D-4A	64K,RS-449/366
2228D-2X	OP28D-2X	32K,X.21	Replaced by	2228D-4X	OP28D-4X	64K,X.21
2228D-4	OP28S-4	64K,RS-232/449		Same (see NOTE)		
None	None		New	2228D-4E	OP28D-4E	64K,RS-232/366
2228D-4X	OP28D-4X	64K,X.21		Same		
None	None		New	2228D-8E	OP28D-8E	128K,RS-232/366
None	None		New	2228D-8X	OP28D-8X	128K,X.21

Table 1-1 (next page) lists the latest product structure for all models of the 2228D. The LVP/MVP boards are electrically identical to the SVP boards but there are mechanical differences. Reference to 2228D models also implies reference to OP28D models.

NOTE

The existing 2228D-4 64K TC Controller will remain in the price book to support IBM 3271 protocol.

An extension cable assembly is required with controllers used on the SVP system. Cable requirements are listed below:

<u>Controller Model</u>	<u>Cable/Plate part no.</u>
OP28D-4E/8E	270-0881 (Plate) 220-3109 (Cable)
OP28D-4X/8X	Not available
OP28D-4A/8A	Not available

Table 1-1 Latest 2228D Products

LVP/MVP Systems

<u>Model #</u>	<u>Features</u>	<u>CEI #</u>	<u>Contr. #s</u>	<u>M.B. #</u>	<u>D.B. #</u>	<u>Cable #</u>
2228D-4E	232,ACU&64K	177-2228-DE	212-2228-DE	210-7858-A	210-7659-3C	220-0332
2228D-4A	449,ACU&64K	177-2228-DF	212-2228-DF	210-7857-A	210-7659-3C	220-0248
2228D-4X	X.21 & 64K	177-2228-DG	212-2228-DG	210-7859-A	210-7659-3C	220-0274
2228D-8E	232,ACU&128K	117-2228-DH	212-2228-DH	210-7858-A	210-7855-A	220-0332
2228D-8A	449,ACU&128K	177-2228-DJ	212-2228-DJ	210-7857-A	210-7855-A	220-0248
2228D-8X	X.21 & 128K	177-2228-DK	212-2228-DK	210-7859-A	210-7855-A	220-0274

SVP Systems

OP28D-4E	232,ACU, 64K&SVP	177-2228-SE	212-2228-DE	210-7858-A =232/ACU SVP Ext.	210-7659-3C	220-0332 220-3109
OP28D-4A	449,ACU, 64K&SVP	177-2228-SF	212-2228-DF	210-7857-A =449/ACU SVP Ext.	210-7659-3C	220-0248
OP28D-4X	X.21,64K&SVP	177-2228-SG	212-2228-DG	210-7859-A =X.21 SVP Ext.	210-7659-3C	220-0274
OP28D-8E	232,ACU, 128K&SVP	177-2228-SH	212-2228-DH	210-7858-A =232/ACU SVP Ext.	210-7855-A	220-0332 220-3109
OP28D-8A	449,ACU, 128K&SVP	177-2228-SJ	212-2228-DJ	210-7857-A =449/ACU SVP Ext.	210-7855-A	220-0248
OP28D-8X	X.21, 128K&SVP	177-2228-SK	212-2228-DK	210-7859-A =X.21 SVP Ext.	210-7855-A	220-0274

NOTE

Models 2228D-4A, 2228D-8A, OP28D-4A and OP28D-8A are available on special order only.

Models 2228D-4X, 2228D-8X, OP28D-4X and OP28D-8X are not released at this time.

CEI = Customer End Item
 Contr. = Control Number
 M. B. = Motherboard
 D. B. = Daughterboard

CHAPTER

2

THEORY

OF

OPERA-

TION

CHAPTER 2

THEORY OF OPERATION

2.1 INTRODUCTION

This chapter describes the new 2228D TC Controllers on a functional block level (see Figure 2-1). The information included will provide the CE with an overall understanding of circuit functions and how they interrelate.

There are three new motherboard hardware configurations (see Table 1-1). The 210-7857-A supports the RS-449 interface which includes the RS-422 differential or balanced line driver and receiver interface from the Z80A-SIO chip to a 37-pin male connector. It also supports the RS-366 ACU which is connected to a female 25-pin connector. The 210-7858-A supports the ACU and the RS-232 interfaces. The 210-7859-A will interface only with a 15-pin male connector for networks using X.21 communication protocol.

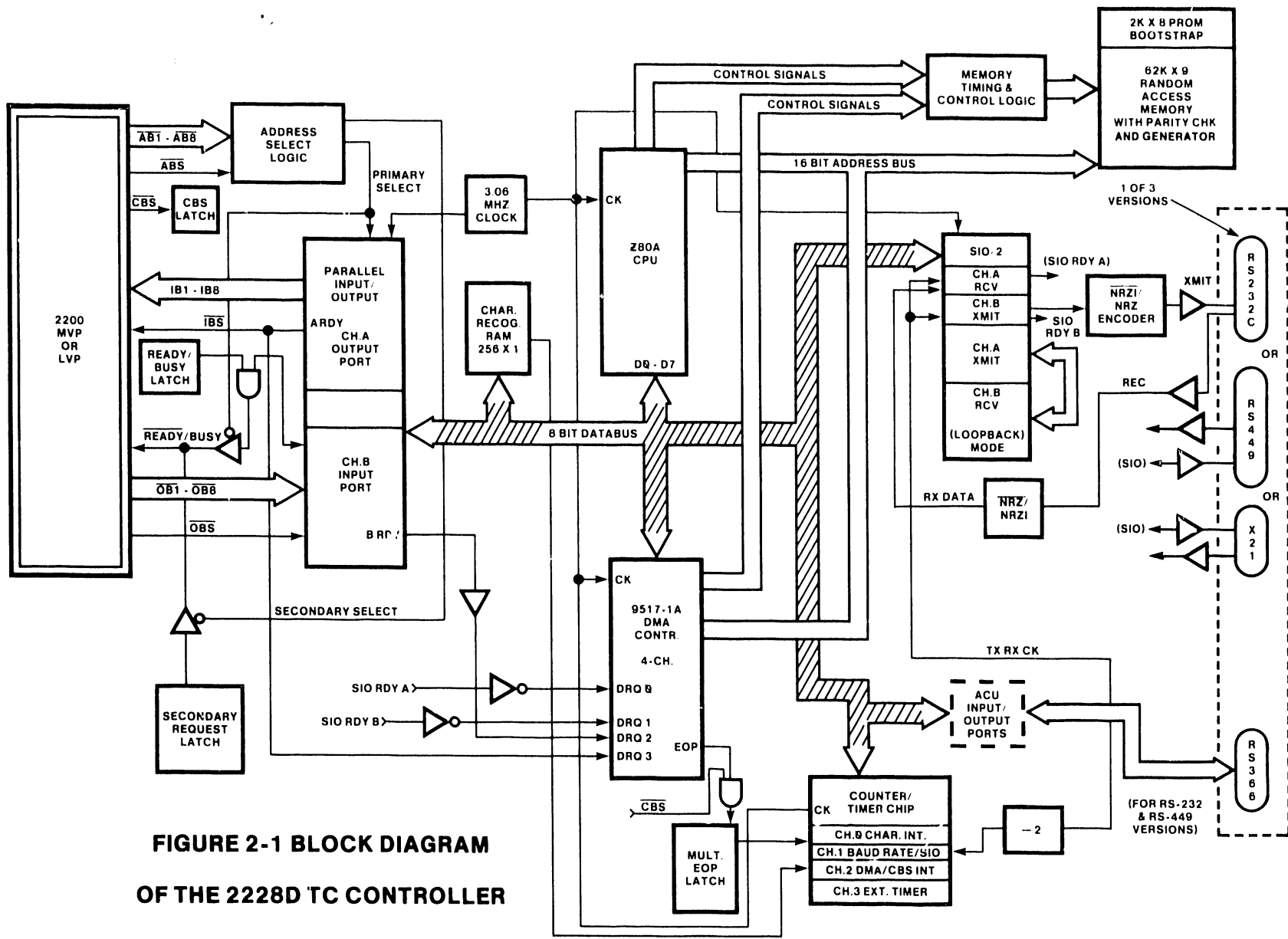
The 2228D contains four LSI chips - the Z80A CPU, the SIO/2-A, the 9517-1 Multi-Mode DMA Controller and the PIO-A. These chips, along with memory, input/output architecture, 2200 interface, and the RS-232C, X.21 and RS449 option interfaces form the basic hardware configuration.

2.2 Z80A CPU

The Z80A CPU chip governs all controller functions. The chip uses a 16-bit address bus and an 8-bit data bus for bi-directional data flow. A reset line initializes the chip and six major status output lines. These lines are M1, MREQ, IORQ, RD, WR, and RFSH, which collectively inform the associated circuitry what function the CPU is to perform. The M1 signal is active during the first cycle (the fetch cycle) of each instruction and also during a special interrupt-acknowledge cycle. The MREQ (Memory ReQuest) signal is active when memory is being accessed to fetch either an instruction or data. The IORQ (Input/Output ReQuest) signal goes active to indicate an input or output to a peripheral device or during the same previously mentioned interrupt acknowledge cycle. The RD (Read) signal indicates that the CPU will input data while performing a memory access or I/O instruction, while the WR (Write) signal indicates the CPU will output data. During an M1 (Memory period #1) fetch cycle, the CPU will output an address for memory refresh. The RFSH (ReFreSH) signal confirms the active presence of that address.

In addition, the Z80A CPU receives a BUSRQ (BUS-ReQuest) input, which requests the CPU to switch its address, data, and status bus lines to the high impedance state so that an outside device may use these buses. An associated BUSAK (BUS-AKnowledge) output goes active when the CPU has complied with this request. Another WAIT input requests the CPU to extend the current memory access or I/O cycle as long as it is active. Finally, the Z80A CPU uses two interrupt inputs, INT (INTerrupt) and NMI (Non-Maskable Interrupt). The non-maskable NMI input signals the DLP when a parity error occurs. The maskable INT signal serves as the interrupt input for all other interrupt-causing devices in the system and is under software control.

2-2



**FIGURE 2-1 BLOCK DIAGRAM
OF THE 2228D TC CONTROLLER**

The Z-80A non-maskable interrupt is used for parity error reporting. Z-80A vectored interrupts, in order of decreasing priority, are generated by:

- 1) SIO Channel A receiver
- 2) SIO Channel A transmitter (used only by loopback diagnostic)
- 3) SIO Channel A status (not used by bisync support)
- 4) SIO channel B receiver (used only by loopback diagnostic)
- 5) SIO channel B transmitter
- 6) SIO channel B status (not used by bisync support)
- 7) CTC channel 0 software timer
- 8) CTC channel 1 used for internal clocking to the SIO for asynchronous mode and clocking for secondary request to send during synchronous mode.
- 9) CTC channel 2 (interrupt vector source for all DMA channels)
- 10) CTC channel 3 (interrupt vector source for Ring Indicator/Incoming Call Signal).
- 11) PIO channel A
- 12) PIO channel B

2.3 THE 2200 INTERFACE

The major features of the 2228D interface to the 2200 are:

- 1) The 2200 can do a software reset to the 2228D.
- 2) The 2228D can interrupt the 2200 under microcode control.
- 3) Data transfers between the 2228D and 2200 can use hardware DMA to the 2228D memory, providing speed, and efficiency for both processors.
- 4) Data transfers are buffered by Zilog PIO chip which provides most of the signal synchronization. All handshaking signals between the 2228D and the 2200 operate in the active low condition.
- 5) CBS strobe along with OB8 not on will force a BUSY on the Read/Busy line to the 2200.
- 6) EOP from the DMA will force a Busy on the Read/Busy line to the 2200 for both DMA to PIO Read/Write channels.

- 7) Upon power-on reset, the Read/Busy latch is in the Ready condition. This output is combined with the ready signal from the B Input channel of the PIO to produce a Ready condition on the Ready/Busy line to the 2200.
- 8) An OUT '48' with D2 set to a logic 1 will set Ready Condition on the Ready/Busy latch.

2.3.1 2200 I/O BUS SIGNALS

The 2200 I/O bus signals are described in this section to make the following sections describing 2228D specifics more understandable.

Address Lines and ABS Strobe

The 2200 selects a controller with which it wishes to communicate by setting the 8-bit address on the address lines and pulsing the ABS-Strobe signal line. A controller may respond to one or more addresses.

Reset-Strobe

The 2200 pulses the Reset-Strobe signal line whenever the reset key on the keyboard is depressed. The 2228D ignores this signal.

Data Input Lines, ENDI-Signal, CPB-Signal, and IBS-Strobe

The 2200 sets CPB-signal off (CPB = logic 1) whenever it will accept data from the controller, and sets CPB-signal on whenever it will not accept data from the controller. With CPB signal off (CPB = logic 1) and ARDY from channel A (output channel) from the PIO is active high, the controller is ready to transfer data to the 2200. The data input lines are set to the value of the data byte along with the ENDI-signal. The IBS strobe is immediately generated by the ARDY signal becoming active from the PIO along with the CPB signal in the inactive state. An OUT '54' instruction by the Z80A CPU will set the ENDI-signal (IB9) to the active state. This bit remains latched in its last state until it is cleared at the end of IBS strobe.

Data Output Lines, (READY)/(BUSY) Signal, OBS-Strobe, and CBS-Strobe

The controller sets Ready signal (READY/BUSY) active low ON whenever it will accept data from the 2200, and off BUSY whenever it will not accept data from the 2200. When READY is on and the 2200 wishes to send a byte of data to the controller, it sets the data-output lines to the value of the data byte and pulses either CBS-strobe or OBS-strobe. The 2228D uses only OBS-strobe as a data strobe. A few enhancements have been designed into the 2228D for the CBS strobe signal. With OB8 not on, the CBS strobe will force a BUSY condition on the READY/BUSY Latch to the 2200. At the same time, CBS strobe is latched by the CBS Latch circuit.

To detect whether a CBS strobe has been sent by the 2200 computer, an IN '44' instruction will read the status of the CBS Latch on data bit D1. To clear the CBS latch, an OUT '44' must be executed. Otherwise, the last state of CBS latch will be read by the Z80A CPU when executing an IN '44'. After the occurrence of a CBS strobe and completion of the IN '44' instruction, an interrupt vector will be generated by CTC channel 2. The CBS strobe, along with OB8 on, will generate a hardware reset to the 2228D from the 2200.

The option to abort a data byte transfer is possible since a CBS strobe can generate a BUSY condition, thus forcing the 2228D not to accept data from the 2200. Also, the 2228D can go into an interrupt handling routine upon receiving a CBS strobe via the GIO commands. DMA single-byte transfer can also be halted in mid-stream by receiving a CBS strobe which may signal a special character byte that has been previously transferred from the 2200.

2.3.2 ADDRESSING THE 2228D CONTROLLER

Like other 2200 system telecommunications controllers, the 2228D contains a set of 8 device address switches. The value set into these switches defines the primary device address used by all 2200 I/O statements which interchange data with the controller. A secondary device address, equal to the primary device address with the high order bit (AB8) inverted, is used by the 2200 to test a request status bit set by the 2228D microcode.

When the 2200 I/O bus issues an ABS strobe, the contents of the address bus are compared with the primary device address. If they are equal, the controller is selected as the currently active device and dialog may proceed between the 2200 and the controller.

When the 2200 I/O bus issues an ABS strobe, the contents of the address bus are also compared with the secondary device address. If they are equal, the 2200 I/O bus "ready" signal is set equal to the request status bit.

2.3.3 RESETTING THE 2228D BY THE 2200

The 2228D is not reset by the 2200 reset-strobe signal. It is reset under program control by the 2200 when a byte having the high-order bit (OB8) set to 1 is outputted with a CBS strobe. This reset operation causes the Z-80A and all resettable hardware to be reset. The Z-80A starts executing at address 0, causing it to initialize all programmable parts of the controller hardware.

2.3.4 2200 REQUEST STATUS REGISTER

The Request Status Register contains one bit, D7, which determines the value of the 2200 (READY/BUSY) signal when the secondary address is selected via an OUT "60" command. The request status bit (RQB) may be tested by an \$IF ON statement or used as an interrupt request condition. The interrupt request is set when the request status register is a logic 0. Conversely, the interrupt request bit is not set when the request status register is a logic 1.

2.3.5 PARALLEL INPUT/OUTPUT (PIO) CHIP

Data transfer between the 2228D and the 2200 is through the two channel PIO chip. Channel A is configured in the output mode to transfer data (IB1-IB9) from the 2228D to the input bus of the 2200. Channel B is configured in the input mode to transfer data (OB1-OB8) from the 2200 output bus to the 2228D. Signals are routed among the PIO channels and the 2200 input/output bus as shown below:

2228D Source Signal	Ready/	Busy
PIO CH.B READY Active High, and Primary Address Select is on.	Active Low	-
Secondary Address Select Is ON and OUT '60' Status Request Latch Is Set.	Active Low	-
Secondary Address Is On and OUT '60' Status Request Latch is Not Set	-	Act. High

Source Signal	Resultant Signals
2200 OBS Strobe and Primary Address Select Is On.	PIO CH.B STROBE
2200 CPB Signal is Off (Logic 1) and Primary Address Select Is On and PIO CH.A Is Ready Active High.	PIO CH.A STROBE Also, 2200 IBS Strobe
PIO CH.B READY	2200 READY/BUSY

2.4 SERIAL INPUT/OUTPUT (SIO/2) CHIP AND MODEM INTERFACE

The SIO/2 chip is the focal point where all serial data communication protocols originate from. Its basic function is a serial-to-parallel and parallel-to-serial converter/controller. Within that role, it can be configured by software to satisfy asynchronous and synchronous byte-oriented protocols such as IBM Bisync, and synchronous bit-oriented protocols such as HDLC and IBM SDLC along with CRC check codes.

The SIO/2 contains 2 independent, full-duplex channels. The T.C. controller configures one set of channels for loopback to provide diagnostic software testability. Channel A is set up as the transmit channel. It is then connected back to Channel B which is configured as the receive channel. A Ring indicator signal is routed to the Clear to Send input of channel A for external status interrupt for the RS-232C version.

The other Channel A is used as the receive channel and is routed to either the RS-232C and RS-449, or the X.21 interfaces. Similarly, channel B is set up as the transmit side and is routed to the other interface configurations.

High speed single byte data transfers between the SIO/2 and memory are accomplished through the 9517-1 DMA controller. The SIO receive Channel A is routed through DMA channel 0 during a DMA write cycle. The SIO transmit channel B is connected to DMA channel 1 during DMA read cycle. Full duplex operation can be supported through the modem.

2.4.1 CLOCK MODE REGISTER AND INTERNAL/EXTERNAL TIMING

After power-on reset has been initiated, the clock mode register is preset to a logic 1, thus enabling synchronous clock transmission to the SIO's transmitter and receiver clocks via the modem's synchronous clocks.

When an OUT 40 instruction from the Z80A CPU has been executed along with the value of D0, the clock mode register is then selected for a specific data transmission operation. When D0 is a logic 1, the internal clock from the CTC channel 1 is routed to the SIO transmitter and receiver clocks. Also, at this time the modem control signal secondary Request to Send is set to a MARK condition when D4 is equal to a logic 0. Conversely, a logic 1 on D4 will set the signal to a SPACE condition. This allows for secondary channel break transmission using half duplex 1200 bps modem. Asynchronous transmission can be programmed at this time via the SIO/2 when interfacing with asynchronous modems.

Conversely, with the data bit D0 set to a logic 0, the SIO transmit and receive channels will derive their clock sources from the external synchronous modems. At this time, the CTC channel 1 clock source will provide timing to the dedicated loopback channels of the SIO/2.

If external modems are used, which requires an active Secondary Request to Send signal other than a secondary channel break transmission, a two position header shunting cap can be removed on the 2228D board. This allows pin 19 to be disconnected from the board and thus be used exclusively for normal Secondary Request to Send.

Note that the above discussion of using an OUT 40 with data bit D0 set to a logic (0/1) condition pertains only to situations where a RS-232C or RS-449 modem or null modems are connected.

When an external loopback connector for both RS-232C or RS-449 is plugged into the 2228D board, asynchronous or synchronous data transmission can be implemented without the necessity of an OUT 40 command. This is useful for diagnostic checkout for the various protocols provided by the SIO/2.

2.4.2 SYNCHRONOUS INPUT/OUTPUT (SIO) CHIP AND MODEM RS-449 INTERFACE

Beside interfacing to a RS-232C connector, the 2228D will also provide a RS-449 interface via a 37-pin male connector. The RS-449 interface provides a functional interface between the data terminal equipment and the data communication equipment for use with the electrical characteristics specified in the EIA standards RS-422 and RS-423. The 2228D will support directly the RS-422 specification which provides a differential or balanced voltage digital line driver and line receiver interface. The RS-442 interface provides for longer cable lengths and faster baud rates than the RS-232C connection. Depending upon the data modulation rate, a maximum of 4,000 feet of cable length between the data terminal equipment and the data communication equipment can be used.

2.4.3 NRZ/NRZI MODE

Upon power-up, the NRZ/NRZI mode register will select the NRZ mode. The SIO will then transmit the data in the non-return-to-zero (NRZ) format.

When D1 is executed with an OUT 40 instruction, the NRZ/NRZI mode register will be enabled. A logic 0 on D1 will select a NRZ code while a logic 1 on D1 will enable the NRZI code format. Unlike the NRZ format, the NRZI code is an invert-on-zero transmission coding. To send a binary 1, the controller will hold the signal condition in the same state, whereas to send a binary 0, the controller will change the signal condition to the opposite state. The 2228D is provided with the option of transmitting and receiving digital data in the NRZI code when D1 is set to a logic 1 in the NRZ/NRZI mode register.

2.4.4 CHARACTER RECOGNITION

By using a 1K x 1 static RAM (2102A-2) and control logic for the DMA controller, up to 256 character patterns can be used for recognition to signal a character interrupt during synchronous operation of the SIO/2-A on the receiver channel. The databus will provide the RAM chip address. Address bit A0 from the Z80A is wired to the data input of the static RAM. This bit will distinguish the two OUT commands from the Z80A.

An OUT "31" instruction will execute incremental data from the Z80A accumulator of HEX "00" through HEX "FF" during a write cycle to the static RAM. This procedure initializes the RAM chip so that no interrupt will take place during SIO RCV DMA mode. The value of A0 will be a logic 1 at that time.

An OUT "30" instruction with the value of A0 equal to a logic 0 and the correct interrupt character code from the databus will be loaded into the static RAM. Thereafter, a read cycle into the static RAM and the correct interrupt code will cause the RAM to output an active low signal. This signal is then clocked by the DMA output signals to trigger channel 0 of the CTC. The CTC, in turn, will generate an 8 bit interrupt vector on the databus during maskable interrupt mode 2. This character recognition is useful during Bi-sync operation via the DMA chip.

2.5 9517 - 1 DMA CHIP

To relieve the CPU's overhead during high speed data transfers between peripheral devices and system's memory, the AMD 9517 - 1 DMA controller will solely provide high-speed single byte transfer modes:

- 1) From the controller's memory through the Z80A - SIO/2 chip to the RS-232 connector's Transmit Data signal or the RS-449 connector's Send Data or the X.21's transmit signal;
- 2) From the RS-232, the RS-449 or the X.21 connector Receive Data signal through the Z80A - SIO/2 chip to the controller's memory;
- 3) From the controller's memory through the Z80A - PIO chip to the controllers memory; and
- 4) From the 2200 I/O bus through the Z80A - PIO chip to the controller's memory.

The DMA request input lines are programmed for active high. The DMA acknowledge outputs are programmed for the active low state. The Z80A-CTC channel 2 will provide a DMA completion interrupt to the Z80A CPU for all four DMA channels. The connections of the DMA chip are outlined as follows:

DMA REQUEST	DMA CHANNEL	DATA SOURCE	DATA DESTINATION	DMA CYCLE
SIO CH.A READY	0	SIO RCV. CH.A	MEMORY	WRITE
SIO CH.B READY	1	MEMORY	SIO XMIT CH.B	READ
PIO CH.A READY	2	PIO CH.B INPUT	MEMORY	WRITE
PIO CH.B READY	3	MEMORY	PIO. CH.A OUTPUT	READ

By executing an IN "18" instruction, the DMA status register output can be read by the Z80A. The status register contains information on which channels have reached a terminal count and which channels have pending DMA requests. Bits 0-3 are set everytime terminal count is reached by that channel. Hence, an IN "18" instruction will distinguish which channels have triggered an interrupt vector via the CTC. By examining the status register contents, the programmer will know when the first interrupt service routine has been completed prior to receiving another interrupt request during any successive terminal counts or pending DMA requests.

2.5.1 DMA MULTIPLE EOP/CBS LATCH CIRCUIT

Since the Z80A-CTC does not have internal latch circuitry to handle successive EOP signals from the DMA chip during its interrupt handling routine, an EOP/CBS latch was designed into the board. This circuit eliminates the problem of missing a second EOP or CBS pulse when the Z80A CTC is processing the initial interrupt routine during interrupt mode 2 upon reception of the first EOP or CBS pulse. The circuit will also allow for DMA to SIO interleaving processing when the SIO is used for full duplex capability such as Bisync protocol operation. The time constant data word must be programmed to a single one count for the CTC Counter Mode in order to permit the CTC to handle one interrupt routine at a time. To accomplish this, the programmer must execute an IN "18" instruction to the DMA chip. The Z80A CPU will then be able to read the DMA status register output. The status register contains information on which channels have reached a terminal count and which channels having pending DMA requests. In addition, the IN"18" instruction will be decoded by the hardware circuitry to strobe a previous latched EOP signal over to the CTC channel. The CTC in turn will trigger a DMA completion interrupt to the Z80A CPU for any of the four DMA channels. The additional hardware will save the programmer from latching and masking off the EOP signals via a register.

The CBS strobe will also cause an interrupt on CTC channel 2 since it is hardwired to the same DMA Multiple Latch Circuit which triggers the CTC. By executing an IN'44', the programmer can read whether the CBS strobe has occurred on D1. Concurrently, an IN'44' instruction is decoded to determine the presence of a CBS strobe (logic 1) and, if present, triggers channel 2 of the CTC. The electronic mechanism is similar to detecting the EOP signals whereby successive CBS strobes can be handled in a similar fashion.

2.5.2 DMA CHANNEL 0 AND 1 REQUESTS LATCH

By latching the SIO WAIT/READY signals to the DMA, the DMA request signals will be guaranteed to be a logic 1 for at least four T-states or more. This will eliminate any truncated pulses that may arise due to the SIO's WAIT open drain outputs which can become active for either SIO Receive or Transmit channels when the opposite channel is addressed during full duplex operation.

2.6 COUNTER TIMER CHIP (CTC)

The Z80A - CTC will provide the following features:

- 1) A source of interrupts for the DMA to SIO interface on both the SIO Received Channel A and the SIO Transmit Channel B;
- 2) A source of interrupts for the DMA to PIO interface on both the PIO Output Channel A and PIO Input Channel B;
- 3) A counter for character interrupts on SIO Receive Channel A;
- 4) A dedicated software timer on channel 3 and an extended software timer feature that starts on channel 2 connected in series with channel 3;

- 5) An internal clock for diagnostic loopback test on the SIO, CRC check on the SIO Receive Channel A, and null modem application;
- 6) A programmable baud rate clock generator; and
- 7) A source of interrupts upon the detection of CBS strobe without OB8 on.

All input channels of the CTC should be programmed to receive active low trigger inputs in the counter mode.

The overall operation of the CTC is diagrammed as shown below:

CTC Channel	Operating Mode	Signal Input	Clock Output
0	Counter Timer	Character Interrupt Signal (Bisync operation of SIO) None	None
1	Timer	None	SIO CH.A. RCV CLK & SIO CH.B XMIT CLK
			Internal Clock* for SIO Loopback Test on SIO XMIT CH.A & SIO RCV. CH.B to RS232 Pins 19 & 11; Internal Clock* for CRC characters & null modem application.
Counter		Transmit Clock From Either RS-232 or RS-449.	SIO SMIT CH.B Clock for Checking SDLC/HDLC Flag Characters.
2	Counter must be Set To a 1	EOP or CBS strobe from the DMA Multiple Latch Circuit	None
3	Timer	None	None

* Enabled by clock mode register with value of D0 = logic 1.

2.7 AUTOMATIC CALLING UNIT (ACU)

The purpose of the ACU is to automatically establish a call for the purpose of information exchange over the communication channel under control of the 2200 CPU. Automation of the data transmission in a telephone network will be conducted by the 2200 via the 2228D-449 and the 2228D-366 interface standards (i.e. RS-232C type line drivers/receivers) which are connected to a 25-pin female connector.

Signals to the RS-366 interface are defined below. Output port (OUT '4C') from Z80A databus to the ACU interface:

			<u>Pin #</u>
D0	Digit Bit 0	NB1	14
D1	Digit Bit 1	NB2	15
D2	Digit Bit 2	NB4	16
D3	Digit Bit 3	NB8	17
D4	Digit Present	DPR	2
D5	Digit Request	CRQ	4

Input port (IN '4C') from the ACU interface to the Z80A databus:

			<u>Pin #</u>
D0	Abandon Call and Retry	ACR	3
D1	Present Next Digit	PND	5
D2	Power Indication	PWI	6
D3	Call Origination Status	COS*	13
D4	Data Line Occupied	DLO	22

* Formerly DSS from earlier RS-366 document. Signals on this circuit indicates whether a connection has been established to a remote workstation or to indicate the status of the automatic call origination procedures. However, this signal should not be interpreted to convey information regarding the operational status or preparedness of the associated data set.

EON (End Of Number) will be sent by the 2200 computer after the last digit of the number to be called has been transmitted. In response to EON, and ACU transfers the communication channel to the data set immediately without waiting for an answer signal from the called data set. The SEP signal or the separation control character is used to indicate a pause between successive digits. For example, in response to SEP, the ACU may again wait for a dial tone before turning ON circuit PND.

2.7.1 FUNCTIONAL DESCRIPTION OF ACU SIGNALS

Digital Signal Circuits (to ACU)

These signals defined as NB1, NB2, NB4, and NB8 are transmitted as digits of the called number. Its other function is to indicate a pause between successive digits by sending a SEP pattern.

Digit Present (to ACU)

This signal indicates that the ACU may read the 4 bit code combination presented on the Digit Signal Circuits - NB1, NB2, NB4, and NB8. The states of the Digit Signal Circuits must not change when the Digit Present signal is in the ON condition.

Call Request (to ACU)

When this signal is ON, the 2200 is requesting the ACU to originate a call. This signal must be ON in order to hold the communication channel (remain "OFF HOOK"). The call is aborted if CRQ is turned off prior to turning ON Call Origination Status (COS) or Distant Station Connected (DSC).

Abandon Call and Retry (From ACU)

When this signal is ON, it will indicate whether a preset time has elapsed between successive events in the calling procedure. It also points out that the call should be abandoned. Action is required by the 2200 to abandon the call.

Present Next Digit (From ACU)

when this signal is ON, the ACU is ready to accept the next digit indicated by the 4-bit word from the 2200. The OFF condition indicates that the 2200 should also turn OFF the Digit Present (DPR) signal and set the states of the Digit Signal Circuits for the next digit.

Power Indication (From ACU)

This signal monitors the power available within the ACU. The ON condition indicates that the ACU is powered-ON.

Distant Station Connected (From ACU)

This signal monitors whether a connection has been established to a remote data station. The ON condition indicates the reception of the signal from the 2200 confirming that a connection to that equipment has been established and the control of the communication channel has been transferred to the 2200 interface via the ACI Interface Board.

Data Line Occupied (From ACU)

This signal is used to indicate whether the communication channel or a group of communication channels are in use when they are controlled by any equipment other than the ACU originating the call. The ON to OFF transition of signal DLO shall not occur until all of the other interchange circuits from the ACU are returned to their proper idle condition.

2.8 SYNCHRONOUS INPUT/OUTPUT (SIO) CHIP AND X.21 INTERFACE

In the X.21 interface, the DTE and DCE control signals are sent by a combination of steady state binary signals and coded character strings on the receive and transmit circuits. Before they are connected to the SIO, these signals are level converted by the RS-422 balanced differential line drivers and receivers. The X.21 is another communication protocol that is used between terminals and the new, synchronous public data networks that provide circuit switched and leased-circuit services for data communication. In the circuit switched network environment, the user interacts with four interface phases. They are the quiescent, call establishment, data transfer, and clearing phases. User interaction with leased-circuit networks consists of two phases - the quiescent phase and the data transfer phase. These interface phases are analagous to a conventional switched telephone network operation. The SIO chip will again provide the X.21 protocol setup. The interface signals are routed through a 15-pin male connector. They are summarized below.

Destination Signal	Source Signal
SIO Channel A Receive Clock SIO Channel B Transmit Clock	Signal Element Timing Pins 6 and 13
SIO Channel A Receive Data	Receive on pins 4 and 11
SIO Channel B Carrier Detect	Indication on pins 5 and 12
SIO Channel B Clear To Send	Byte Timing on Pins 7 and 14 ANDed with SIO Ch.B Request to Send
Transmit on pins 2 and 9	SIO Channel B Transmit Data
Control on pins 3 and 10	SIO Channel B Data Terminal Ready
SIO Channel A Clear to Send (CTSA)	OUT '4C' with D7 = 1 allows Receive Data to CTSA

The CTSA input of the SIO is used primarily as a monitor line during the call establishment phase of the X.21 protocol. The DCE will issue a string of zeroes during the Clear Indication procedure which will ask for 16 contiguous bit times along with the Indicator circuit in the OFF state. The software engineer can read into Read Register "0" (RRO) to check whether it has received a clear signal in the active low state. After detecting a clearing signal, the 2228D should send the DTE CLEAR CONFIRMATION.

2.9 MEMORY ORGANIZATION

Memory consists of a 2K PROM, for bootstrap loading and power-up diagnostics, along with 62K of available RAM. The RAMs are MOS 16Kx1-bit, dynamic memory circuits, having a chip access time of 150 nanoseconds and a read/modify-write cycle time of 320 nanoseconds. The PROM occupies address space 0 through 2K, while the RAM occupies address space 2K + 1 through 64K. Parity checking of RAM is supported. A parity error should trigger the Z80A non-maskable interrupt, and initiate an interrupt to the 2200.

2.9.1 MULTIPLEXED MEMORY ADDRESSING

Each MOS memory chip is physically arranged as a two-dimensional array of cells. Certain address inputs are used for row selection and the remaining address inputs are used for column selection. Row selection is required before the sense amplifiers can begin their slow detection process. However, column selection is not required until the outputs of the sense amplifiers become valid because its function is to gate data from the selected sense amplifier to the data output circuitry. Since the column selection information is not used internally until well after the row selection information is required, only the row addresses need to be available to the chip at the start of a cycle. Thus, the column address can be determined later with no penalty of access time. The multiplexed memory address technique takes advantage of this delayed need for a column address. Rather than using 13 address lines to select one of 16,384 memory cells, the memory first uses seven address lines to select one of 128 rows and then subsequently uses those same seven lines to select one of 128 columns in that selected row.

2.9.2 MULTIPLEX TIMING CONSIDERATIONS

Although address multiplexing provides some very substantial system benefits, it complicates system timing. The multiplexing technique requires that both row and column addresses get into the chip within a short time, using the same address pins. The requirement establishes a rather tight timing window during which the individual events must occur. The sequence of events required to address any given memory chip location is as follows:

- 1) Establish a 7-bit row address to specify one of 128 rows of storage cells in the chip.
- 2) Bring the RAS (Row Address Strobe) signal low to start the row selection process by the chip's sense amplifiers.

- 3) Maintain that same row address valid for some minimum hold time to allow the chip's sense amplifiers to complete the detection process.
- 4) Establish a 7-bit column address (on the same address lines) to specify one of 128 columns in the selected row of memory storage cells.
- 5) Bring the CAS (Column Address Strobe) signal low to confirm the stabilized column address.
- 6) Hold that same column address valid for some minimum hold time to allow the chip's sense amplifiers to complete the column-address detection process (and to allow the associated read/write operation for the resultant location).

To achieve the specified access time from RAS, CAS must be brought low within some specified maximum delay after RAS goes low.

To summarize; the functions of RAS are to initiate a cycle, to strobe or latch the row address, to enable the selected row of memory cells, to sense and restore the data in that row of memory cells, and to maintain the sensed data from the entire row of addressed memory cells in their respective sense amplifiers. The sense amplifiers maintain this data as long as RAS remains active. At the end of a cycle, when RAS is taken high, the selected row is immediately turned off, isolating the correct data in the cells. After the row is off, the half-digit lines are prepared for a new cycle.

CAS, on the other hand, controls column selection circuitry and the transfer of data from the selected sense amplifier to the output circuitry. After RAS strobes the row address information from the multiplexed address input pins, CAS strobes the column address from the same pins. When CAS goes active (low), the column address is strobed or latched into the circuit. This address is then decoded to select the proper column. Data from the selected sense amplifier is then transferred to the output buffer, completing the read-access operation.

2.10 WRITE BAD PARITY (OUT '71')

Additional circuitry has been added to allow writing bad parity to the data bus. An OUT '71' instruction executed by the Z80A will force a one on the 9th bit of an even number of ones pattern, thus causing a parity error for even parity. The parity error will then trigger the Z80A non-maskable interrupt to location 0066. This feature will verify the performance of the parity check circuit.

2.11 LED STATUS DISPLAY (IN '70')

To make room for the OUT '71' instruction for writing bad parity, an IN '70' instruction will be used by the Z80A to extinguish the LED, thus indicating that the system diagnostic software is running. The LED will still be initially illuminated upon power-up, indicating that the system is ON.

CHAPTER

3

OPERA-

TION

CHAPTER 3

OPERATION

3.1 CONTROLS AND INDICATORS

The controls and indicators of the 2228D-4E/8E (64K/128K) Controller boards are shown in Figures 3-1, 3-2, 3-3 and 3-4, including the locations of the External/Internal Test Option Switch (SW1), the Device Address Switch (SW2), the power-up diagnostic PROM (L37 on 210-7855-A or L44 on 210-7659-3C) and the diagnostic LED. (The 2228D-4X/8X and the 2228D/4A/8A units were not available at the time of this document release.)

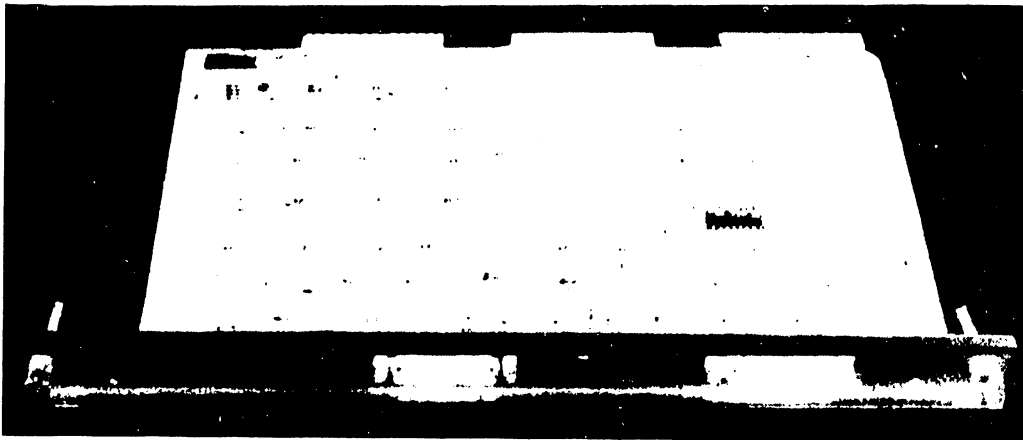


Figure 3-1 2228D-4E/8E Controller Assembly

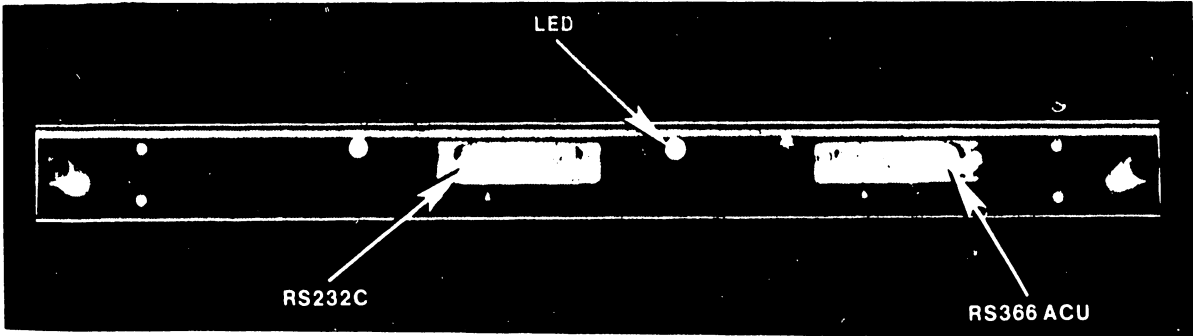


Figure 3-2 2228D-4E/8E Mounting Panel

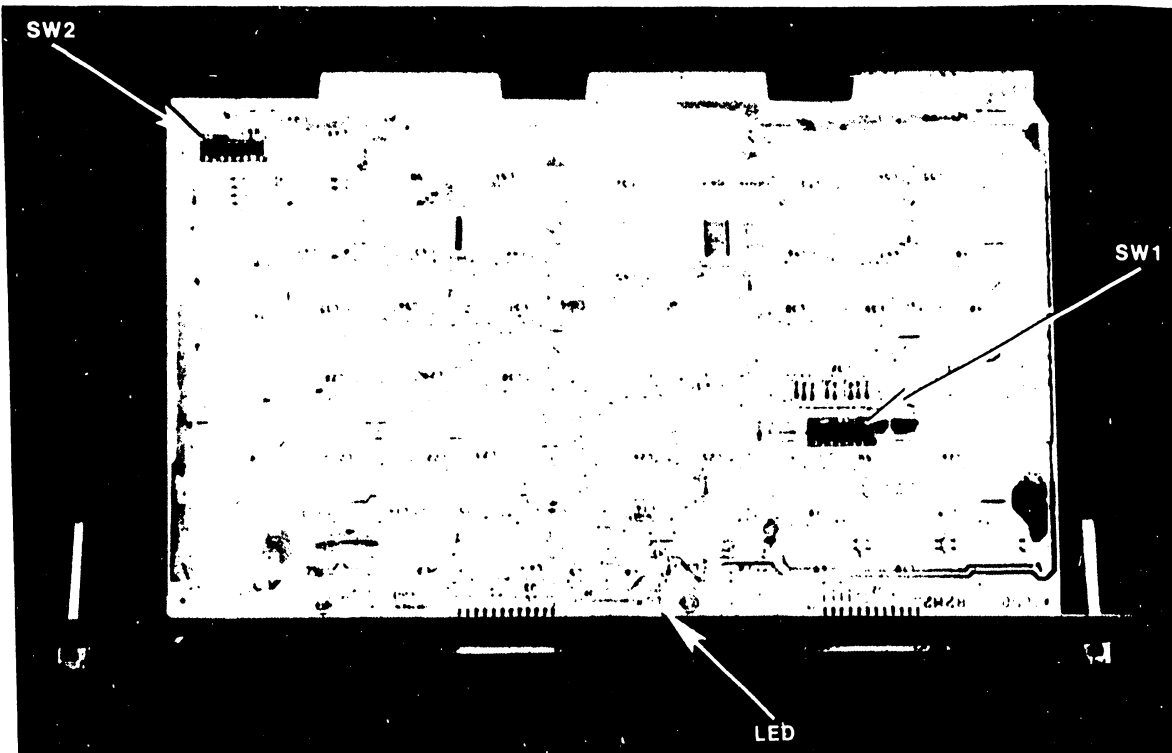


Figure 3-3 210-7858-A Motherboard

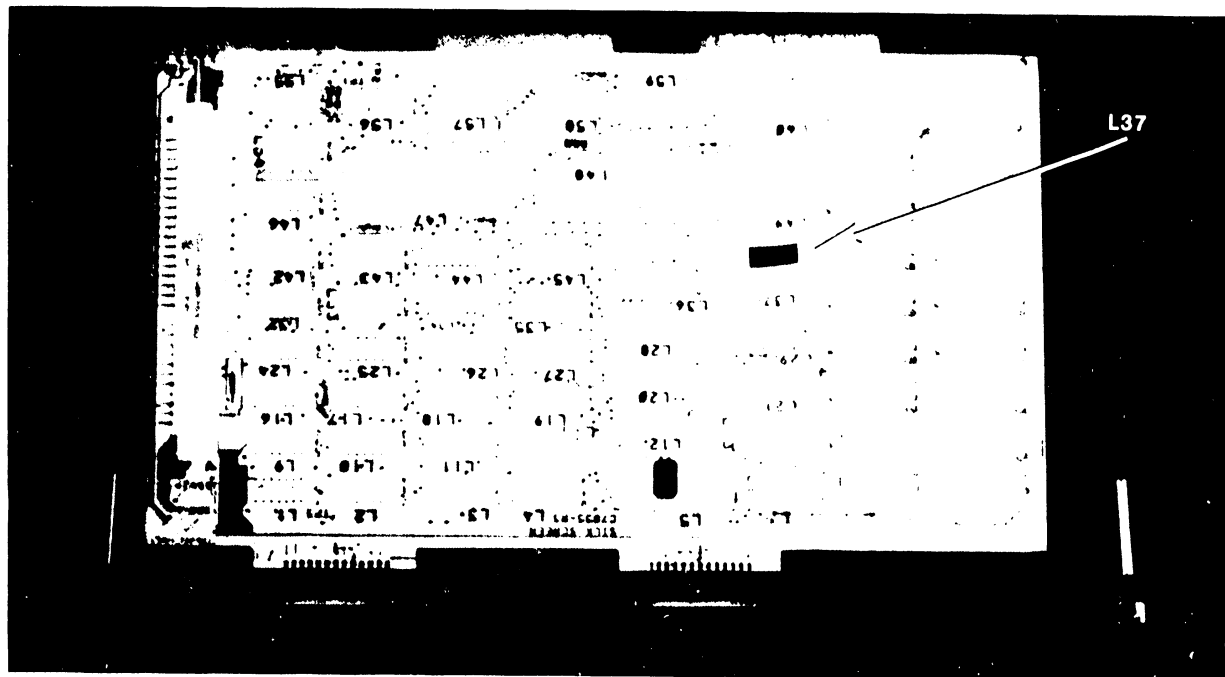


Figure 3-4 210-7855-A Daughterboard

3.1.1 LED INDICATIONS

Follow the procedures outlined in Chapter 4 to set switches, install the mother/daughterboard assembly in the 2200 mainframe and power-up the system.

Within 10 to 15 seconds after power-up, the LED (see Figure 3-2) will give one of the following three indications.

a. LED goes off

This indicates that all TC controller power-up tests have passed and the program enters the 2228D-4E/8E bootstrap firmware.

b. LED remains on

The LED remaining on indicates a catastrophic failure. The controller board should be replaced.

c. LED flashes

A flashing LED indicates a reportable failure. Go to section 4.5.2. (Use Power-up Error Code Interpreter software).

CHAPTER

4

INSTAL-

LATION

CHAPTER 4
INSTALLATION

4.1 PARTS REQUIRED

The only parts required for installation are the 2228D-(All) TC Controller Assembly and the appropriate modem interface cable (see paragraph 4.6). Controllers used on the SVP system will also require an extension cable (see paragraph 1.3).

4.2 PROM AND RAM CHECK

The controller power-up diagnostic is factory loaded into a 2K power-up PROM. The PROM locations (L44 on 210-7659-3C or L37 on 210-7855-A) are shown in Figure 4-1. The correct PROM and RAM numbers are as follows:

<u>Model</u>	<u>Motherboard</u>	<u>Memory</u>	<u>Daughterboard</u>	<u>PROM</u>	<u>PROM WLI#</u>	<u>RAM WLI#</u>
2228D-4E	210-7858-A	64K	210-7659-3C	L44	378-4390	377-0345-M
2228D-4A	210-7857-A			Same		
2228D-4X	210-7859-A			Same		
2228D-8E	210-7858-A	128K	210-7855-A	L37	378-5145-R1	377-0645
2228D-8A	210-7857-A			Same		
2228D-8X	210-7859-A			Same		

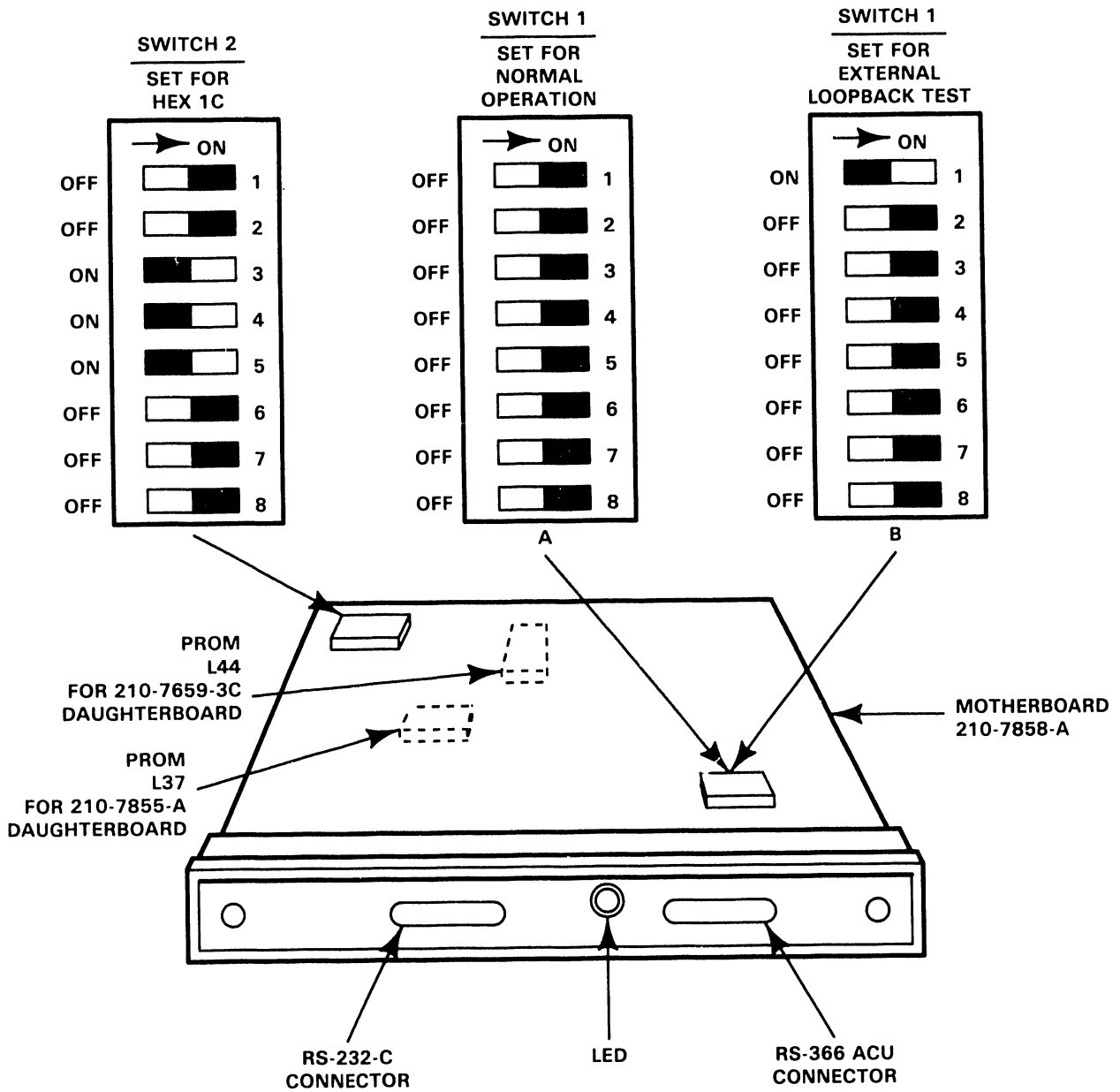
4.3 SWITCH SETTINGS

The option switches are used to set the site address of a multipoint secondary station and to set any other user options. Figure 4-1 shows the settings for the switch banks that are located on the motherboard. Switch SW2 is the device address switch. It must be set for HEX 1C (switches 3,4 and 5 ON and all others OFF).

NOTE

If a 2228B or 2228D TC Controller board is presently installed and will remain installed in the 2200 CPU, ensure that its device address switch is set for HEX 1C. The 2228D-(All) device address should then be set to 1F (slide switches 1, 2, 3, 4 and 5 ON and 6, 7 and 8 OFF).

Switch SW1 is the test option switch. It has two settings, one for normal operation and the other for diagnostic external loopback test. The loopback test must be made during initial installation. Therefore, SW1 must be set for this test before installing the mother/daughterboard assembly. The setting for the loopback test is HEX 01 (slide switch 1 ON and all others OFF). When the switch is in this position, the power-up diagnostic will run a self test routine called "S10 Bisync External Test" in addition to the Internal Loopback Test.



NOTE: Model 2228D-4E/8E is illustrated above. Models 2228D-4A/8A and 2228D-4X/8X are not yet available.

Figure 4-1 Controller Switch Settings

4.4 EXTERNAL LOOPBACK TEST (POWER-UP)

In order to run the external loopback test, the test option switch must be set to HEX 01 as stated on the previous page and the appropriate loopback connector must be installed on the interface connector. Refer to Appendix F for the proper loopback connector part numbers. Note that the 366 connector is not required during power-up tests. The wiring diagrams for the loopback connectors are also shown in Appendix F. After installing the loopback connector, the controller assembly may be installed in the 2200 master. Board placement references are given below.

<u>Document No.</u>	<u>Manual/Category</u>	<u>Figure No.</u>	<u>Page No.</u>
729-0602	LVP/4103	8-2	8-4
729-0583	VP/4103	3-1	3-4
729-0584	MVP/4103	1-8	1-9
729-0935	SVP/4103	8-7	8-9

CAUTION

The 2228D-(All) controller is slightly larger than other 2200 system controllers and may contact the fan if mounted next to it. Therefore, it should be mounted in a slot away from the fan.

The power to the 2200 CPU may be turned on after installing the controller. The supply voltages for the controller boards should then be checked at the 2200 power supply. Power supply reference material is listed in below.

<u>Document No.</u>	<u>Manual/Category</u>	<u>Section No.</u>	<u>Page No.</u>
729-0602	LVP/4103	11.2	11-2
729-0583	VP/4103	3.3.2	3-12
729-0584	MVP/4103	7.3.2	7-5
729-0935	SVP/4103	11.2	11-1

The loopback tests will start to run automatically when ac power to the 2200 CPU is turned on. The tests take 10 to 15 seconds. The diagnostic LED on the panel of the controller assembly will come on during the tests and will go off at the conclusion of the tests if all tests pass. Test failure is indicated by the LED either remaining on or flashing. If the LED remains on steady, a catastrophic failure is indicated and the controller assembly should be replaced. A blinking LED indicates a reportable failure. If this condition is observed, go to section 4.5.2 for a description of the power-up error code interpreter program.

After the external loopback tests are complete, turn off the power to the 2200 CPU and remove the controller assembly. Next, set the test option switch (SW1) to HEX 00 (all switches off) and remove the loopback connector. Now reinstall the controller in the 2200 CPU and turn on the ac power. The power-up diagnostic will then run the internal loopback test only.

Upon successful completion of the Power-Up Diagnostic the Field Level diagnostics should be executed (see paragraph 4.5.3).

4.5 2228D-(All) DIAGNOSTICS/TESTS

4.5.1 POWER-UP DIAGNOSTICS (Description)

Upon powering-up, the 2228D-(All) microprocessor will run the 2228D-(All) TC Controller Power-Up Diagnostics resident in the 2228D-(All) PROM. This takes 10 to 15 seconds. After this time the LED located on the mounting bracket will give an ON, OFF or FLASHING indication (refer to section 3.1.1 for an explanation of these indications).

The following is a list of the tests that are performed by the Controller during the Power-Up Diagnostics.

POWER-UP TESTS

1. Z80 Power Up
2. Prom Checksum Test
3. PIO Power UP
4. Write Bad Parity/Parity Generator Test
5. Bank Decoder Test
6. 62K Ram Marching AA and 55 Test
7. DMA 9517 Power Up
8. DMA 9517 Current and Word Count
9. CTC Power Up
10. CTC Channel Interrupt Test
11. SIO Bisync Internal Test

4.5.2 POWER-UP ERROR CODE INTERPRETER

4.5.2.1 Introduction

The 2228D-(All) Power-Up Error Code Interpreter (software) will interpret the error codes supplied by the 2228D-(All) TC Controller Power-Up Diagnostic Program (firmware). The Power-Up Diagnostic program is resident in the 378-4390 PROM, located in position L44, on 64K daughterboard (210-7659) or in the 378-5145 PROM, located in position L37 on the 128K daughter board (210-7855).

NOTE

The Power-Up Error Code Interpreter program is used only if the LED is FLASHING (reportable failure)

4.5.2.2 Program Description

The Power-Up Error Code Interpreter program is designed to test the LSI circuitry needed for overall TC board operation. It will also aid in troubleshooting hardware faults. The following routines are performed by this program:

1. Request device address for 2228D-(All) TC Controller.
2. Request error code from 2228D-(All) TC Controller.
3. Interpret error code and display appropriate information.

Refer to paragraph A.2 for software part numbers pertaining to the Power-up Error Code Interpreter.

4.5.2.3 Operation

To run the 2228D-(All) Power-Up Error Code Interpreter Program, perform the following Program Loading Procedure in sequential order.

- a. Load diskette (#702-0182).
- b. Select that disk drive with SELECT DISK statement.
- c. Press 'LOAD'.
- d. Press 'RUN'.
- e. Press 'T' and enter the name "28DEIRO".
- f. Follow screen instructions.

4.5.3 FIELD LEVEL DIAGNOSTICS

4.5.3.1 Configuration Requirements

4.5.3.1.1 Hardware

2200 MVP/LVP/SVP/VP
2228D-(All) TC Controller
Appropriate loopback connector for RS-232, X.21 or RS449 Controller
RS 366 ACU loopback connector
Requires 56K Bytes of memory

4.5.3.1.2 Software

<u>Software Part No.</u>	<u>Comments</u>
702-0183 Rev 11C0 (2228D-4E only)	Used only with 2228D-4E (64K) presently in the field. Loopback connectors are 420-1040 or the RS-232 portion of the 420-1041 only (do not use the 366/ACU portion. Use the 420-1104 connector for the 366/ACU.
702-0240 Rev 1340	
2228D-4E or 2228D-8E	Use the RS-232 (420-1041) and 366(420-1104) loopback connectors.
2228D-4X or 2228D-8X	Use the 421-0010 loopback connector for X.21.
2228D-4A or 2228D-8A	Use the 270-3193 loopback connector for 449 and use the 420-1104 for the ACU connector.

Refer to Appendix F for loopback connector wiring diagrams.
Refer to Appendix A for a complete list of diagnostic part numbers.

Diskette containing MVP BASIC 2 Rev. 2.1 or VP Basic 2 Rev.2.3 and up.
MVP Basic is used to configure the 2200 CPU for the Field Level Diagnostic.

When using the MVP software, the Device Table must have the Secondary Address of the TC Controller defined as follows:

<u>Primary Address</u>	<u>Secondary Address</u>
019	099
01A	09A
01B	09B
01C	09C
01D	09D
01E	09E
01F	09F

4.5.3.1.3 Program Description

The 2228D-(All) Field Level Diagnostic is controlled by a Monitor program in the 2200 CPU. The Monitor downline loads a microcode file to the 2228D-(All) RAM. The Monitor program is menu driven. A test is selected from the menu by keying the appropriate S.F. key. The test is run and any error is reported to the 2200, where it is interpreted by the Monitor program. Upon successful completion of a test, the Monitor program again displays the menu.

4.5.3.1.4 Load Procedures

- a. Load MVP Basic
- b. Respond to the queries displayed on the Monitor, such as selecting the correct 2200 Peripheral Device Address, partition size, etc.
- c. Software #702-0183 - The operator must key LOAD RUN "file name" RETURN.

Software #702-0240 - Insert the program disk into the selected disk drive. Press the LOAD, RUN, "28EFSR1", and RETURN Keys.

NOTE

If your floppy had the START File, and it is set up to load "28EFSR1", you need only press the LOAD, RUN, and RETURN Keys. The "28EFSR1" Program will be loaded and executed.

- d. Install the appropriate loopback connector on the motherboard. See paragraph 4.5.3.1.6 below for correct part numbers. Appendix F contains wiring diagrams of the loopback connectors.
- e. When a menu of the available tests is displayed, select the test that you wish to run by pressing the appropriate S.F. Key.

Refer to Appendix C for a complete list of error codes and descriptions. Appendix D contains RAM chip locations and bit assignments.

4.5.3.1.5 Revision History

Software part no. 702-0240 Rev. 1340 -- First Release

4.5.3.1.6 Loopback Connector Part Numbers

<u>Software part no.</u>	<u>Loopback connector part no.</u>
702-0183	420-1040 for RS-232 or 420-1041 for RS-232 and 420-1104 for 366/ACU
702-0240	420-1040 for RS-232 or 420-1041 for RS-232 and 420-1104 for 366/ACU
	270-3193 for 449
	421-0010 for X.21

4.6 INTERCONNECTION WITH MODEMS

Standard modem interface cables are provided to connect the controller assembly to the modem. The part numbers and lengths of these cables are as follows:

<u>Modem Cable</u>	<u>Part Number</u>	<u>Length</u>
RS-232-C	220-0332	12 feet
RS-449	220-0248	20 feet
X.21	220-0274	12 feet

Connect the cable from the appropriate connector on the controller panel to the connector on the modem (on most Bell modems this connector will be labeled "CUST EQUIP"). If required, refer to Appendix B for interface pin assignments and descriptions.

4.6.1 OPTIONAL CABLES

For modem cable lengths longer than those specified in paragraph 4.6, the following optional cables are available.

<u>Length</u>	<u>Wang Part Number</u>		
	<u>RS-449-C</u>	<u>RS-232-C</u>	<u>X.21</u>
25 ft	120-2325-01	220-0333	120-2326-01
50 ft	120-2325-02	220-0334	120-2326-02
100 ft	120-2325-03	N/A	120-2326-03
350 ft	120-2325-04	N/A	120-2326-04
500 ft	120-2325-05	N/A	120-2326-05
750 ft	120-2325-06	N/A	120-2326-06
1000 ft	120-2325-07	N/A	120-2326-07

CHAPTER

5

**MAINT-
ENANCE**

CHAPTER 5

MAINTENANCE

The 2228D-(A11) Controller boards are not to be repaired in the field and there are no parts requiring preventative or corrective maintenance. The only replaceable parts are the RAMS (WLI #377-0345-M or #377-0645) located on the daughterboard (210-7659-3C or 210-7855-A). Appendix D contains RAM chip locations and bit assignments. Refer to paragraph 4.4 for board placement reference manuals.

CHAPTER

6

SCHE-

MATICS

THE SCHEMATICS, WHEN AVAILABLE, ARE ON THE LAST FICHE IN THIS SET.

CHAPTER

7

ILLUSTRATED

PARTS

BREAKDOWN

CHAPTER 7

ILLUSTRATED PARTS BREAKDOWN

The 2228D-(All) Controller assembly is not to be repaired in the field except for RAM failures. When a controller develops trouble in a user's system it will be replaced as a unit (see Chapter 1 for part numbers). Therefore, no internal parts breakdown is required.

CHAPTER

8

**TROUBLE-
SHOOTING**

CHAPTER 8

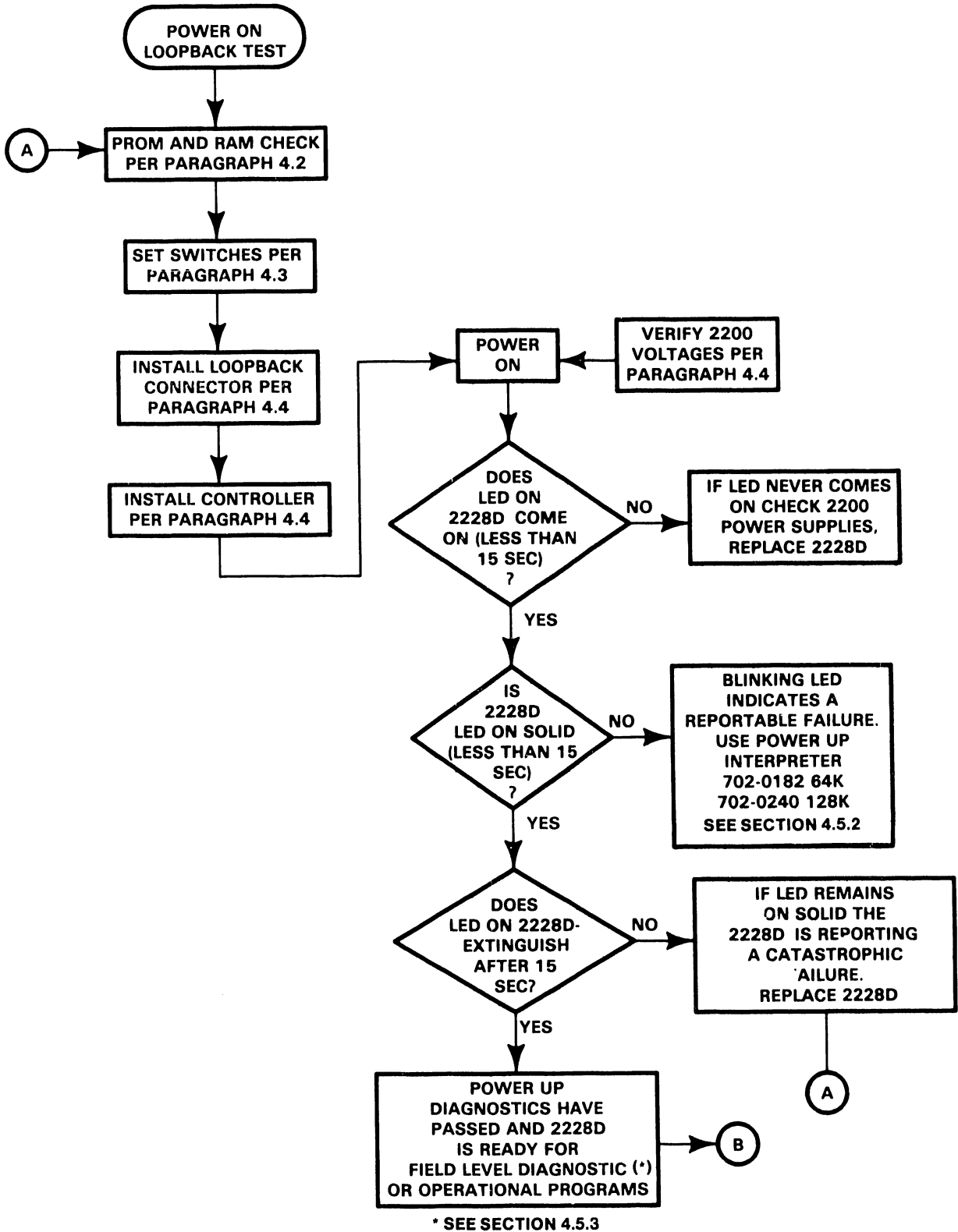
TROUBLESHOOTING FLOW CHARTS

8.1 INTRODUCTION

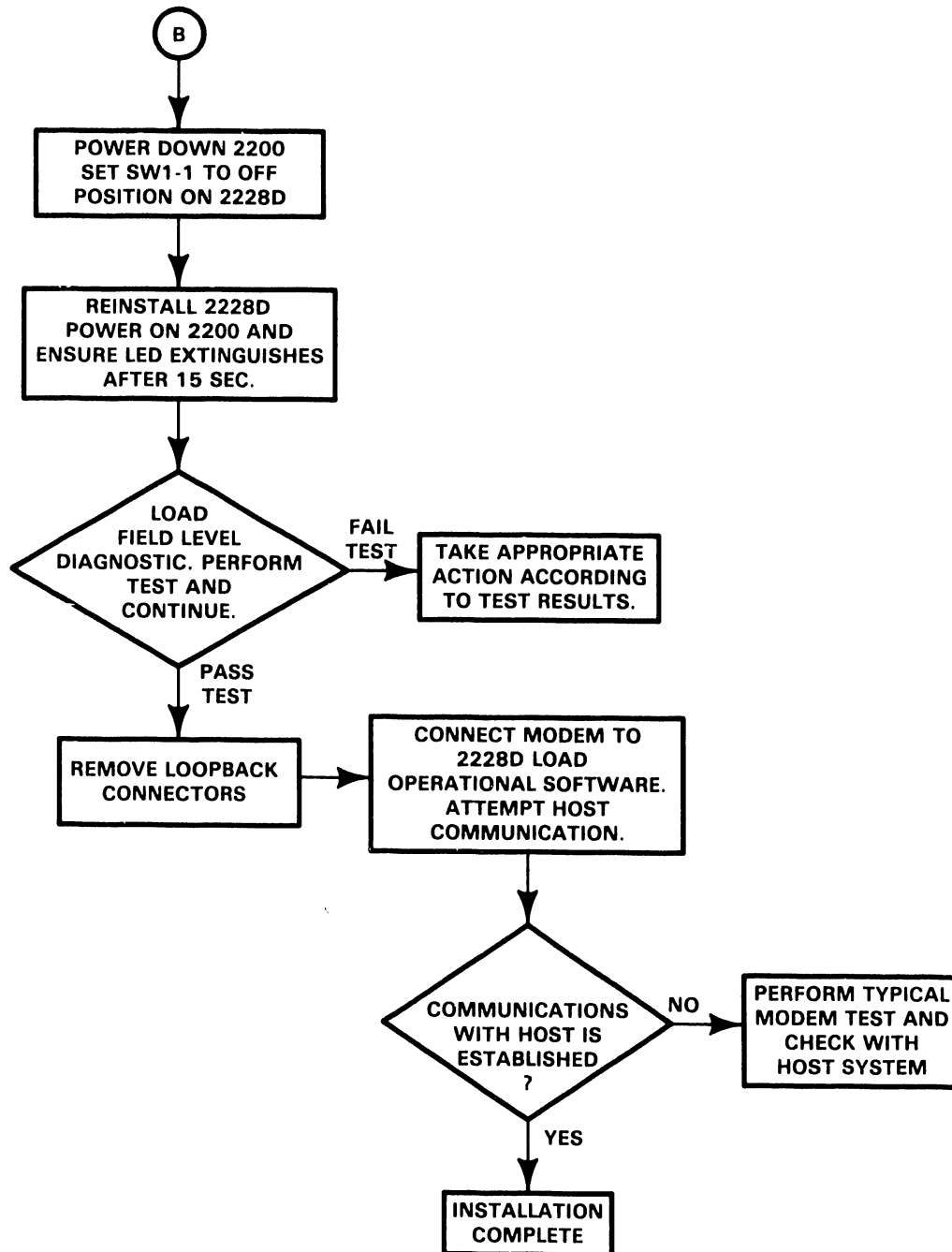
Troubleshooting any telecommunications system can be a complex task. There may be many components involved, such as telephone lines, modems and host computers, and any one of these can cause a problem. When a problem is encountered in the telecommunications, system refer to the troubleshooting flow charts which follow. These flow charts are designed to assist the Customer Engineer in locating and repairing faults.

8.2 TROUBLESHOOTING FLOW CHARTS

8.2.1 EXTERNAL/INTERNAL LOOP TEST



8.2.2 FIELD LEVEL TESTS



APPENDIX

A

**DIAG-
NOSTIC**

PART

NUM-

BERS

APPENDIX A

DIAGNOSTIC PART NUMBERS

A.1 POWER-UP SELF TEST

<u>Description</u>	<u>For 2228D-4E</u>	<u>For 2228D-8E/8A/8X</u>
Package part no.		195-2609-3
Documentation part no.		760-1123
PROM File Diskette SSSD part no.	702-0186	702-0242
PROM part no.	378-4390	378-5145

A.2 POWER-UP ERROR INTERPRETER

<u>Description</u>	<u>For 2228D-4E</u>	<u>For 2228D-(All)</u>
Package part no.		195-2607-3
Documentation part no.		760-1121
Program Diskette SSSD part no.	702-0182	702-0240

A.3 FIELD SERVICE DIAGNOSTIC

<u>Description</u>	<u>For 2228D-4E</u>	<u>For 2228D-(All)</u>
Package part no.		195-2607-3
Documentation part no.		760-1122
Program Diskette SSSD part no.	702-0183	702-0240

NOTE

Documentation and Program Diskette are included under the Package part number.

APPENDIX

B

MODEM

INTER-

FACE

SIGNALS

APPENDIX B

MODEM INTERFACE SIGNALS

EIA RS 232-C

RS 232-C provides an interface between the data terminal equipment (DTE) - and the data communications equipment (DCE)- typically a modem, employing serial binary data interchange. The following paragraphs describe the RS 232-C modem interface signals. The modem must be in the data mode when checking the control signals.

Table B-1
Summary of RS 232-C Interface Signals

Pin	Circuit	Circuit Name	Function	Source
1	---		Protective Ground	
2	BA	TXD	Transmitted Data	DTE
3	BB	RXD	Received Data	DCE
4	CA	RTS	Request To Send	DTE
5	CB	CTS	Clear To-Send	DCE
6	CC	DSR	Data Set Ready	DCE
8	CF	RLSD	Received Line Signal Detector	DCE
15	DB	TC	Transmitter Signal Element Timing	DCE
17	DD	RC	Receiver Signal Element Timing	DCE
20	CD	DTR	Data Terminal Ready	DTE

NOTE: The ON condition=(+3 to +25V), the OFF condition=(-3 to -25V).

Pins 1 and 7 are electrically bonded to the chassis and reference ground.

Transmitted Data - Signals on this circuit are generated by data terminal equipment and are transferred to the local transmitting signal converter for transmission of data to remote data terminal equipment. The data terminal equipment will not transmit unless an On condition is present on all of the following circuits:

Circuit CA (Request to Send)

Circuit CC (Data Set Ready)

Circuit CB (Clear-To-Send)

Circuit CD (Data Terminal Ready)

Circuit CF (Received Line Signal Detector) Note: May be required by some modems before transmitting data.

Received Data - Signals on this circuit are generated by the receiving signal converter in response to data signals received from remote data terminal equipment via the remote transmitting signal converter.

Request to send - Data terminal presents ON signal on this circuit when terminal intends to transmit data. Once this signal is present, data terminal must wait for clear-to-send signal before starting data transmission.

Clear To-Send - Signal on this circuit are generated by the data set to indicate whether or not the data set is ready to transmit data. The ON condition together with the ON condition on Circuits CA and CC (Request to Send and Data Set Ready) and if implemented Circuit CD (Carrier Detect), indicates that signals present on circuit Transmitted Data will be transmitted to the communication channel. The off condition is an indication to the DTE that it should not transfer data across the interface to Circuit BA (Transmitted Data).

Data Set Ready - Signals on this circuit are used to indicate the status of the local data set. The on condition on this circuit indicates that the local data communication equipment is connected to a communication channel ("OFF hook" in switched service) and the local data communication equipment is not in test (local or remote), or dial mode. The On condition also indicates that any timing functions required by the switching system to complete a call has completed.

Received Line Signal Detector (carrier) - The ON condition on this circuit indicates the data communications equipment is receiving a signal which meets the criteria established by the DCE manufacturer. The off condition indicates that no signal is being received or that the recieved signal is unsuitable for demodulation.

Transmitter Signal Element Timing - Signals on this circuit are used to provide the DTE with signal element timing information. The DTE will provide a data signal on Circuit BA (Transmitted Data) in which the transitions between signal element timing nominally occurs at the time of the transitions from off to on of this circuit.

Receiver Signal Element Timing - Signals on this circuit are used to provide the DTE with received signal element timing information. The transition from ON to OFF will nominally indicate the center of each signal element on Circuit BB (Received Data). Timing information on this circuit will be provided at all times when Circuit CF (Received Line Signal Detector) is in the On condition.

Data Terminal Ready - Signals on this circuit are used to control switching of the DCE to the communications channel. The ON condition prepares the DCE to be connected to the communications channel and maintains the connection established (e.g. manual call origination, manual answering or automatic call origination).

RS 366 Interface

RS 366 provides an interface between data terminal equipment (DTE) and Automatic Calling Equipment (ACE) for data communication. The following paragraphs define the signal characteristics of RS 366. RS 366 is enabled through 25 position connector.

Table B-2 RS 366 Interface Summary

Pin	Circuit Mnemonic	Circuit Function	Source
7	SG	Signal Ground	
18	RC	Receive Common	
19	SC	Send Common	
4	CRQ	Call Request	DTE
6	PWI	Power Indication	ACE
22	DLO	Data Line Occupied	ACE
13	DSC	Distant Station Connected	ACE
3	ACR	Abandon Call & Retry	ACE
5	PND	Present Next Digit	ACE
2	DPR	Digit Present	DTE
14	NB1	Digital Signal Circuit 1	DTE
15	NB2	Digital Signal Circuit 1	DTE
16	NB4	Digital Signal Circuit 1	DTE
17	NB8	Digital Signal Circuit 1	DTE

Signal Ground - This conductor directly connects the DTE circuit ground to the ACE circuit ground to provide a conductive path between the DTE and ACE signal commons.

Send Common - This conductor is connected to the DTE circuit ground and is used at the ACE as a reference potential for the interchange circuit receivers.

Call Request - Signals on this circuit are generated by the DTE to request the ACE to originate a call. The OFF condition indicates that the DTE is not using or has completed use of the ACE.

Power Indication - Signals on this circuit indicate whether power is available within the ACE.

Data Line Occupied - Signals on this circuit are used to indicate when the associated modem is Off Hook or the associated telephone is in use. The OFF condition indicates that the DTE may originate a call provided that Circuit PWI is ON.

Distant Station Connected - Signals on this circuit indicate whether a connection has been established to a remote data station.

Abandon Call and Retry - Signals on this circuit are used to indicate whether a preset time has elapsed between successive events in the calling procedure. The ON condition indicates that the call should be abandoned.

Present Next Digit - Signals on this circuit are generated by the ACE to control the presentation of digits on Circuits NBV1, NB2, NB4, and NB8 (digits of a called number) (digits used for control purposes).

Digit Present - Signals on this circuit are generated by the DTE to indicate that the ACE may read the code combination presented on Circuits NB1, NB2, NB4, and NB8.

Digit Signals Circuits (NB1-NB8) - Parallel binary signals generated by the DTE that represents the digits of a dialed number or parallel binary signals that are used locally for control purposes.

X.21 Interface

X.21 is a general purpose interface between the data terminal equipment (DTE) and data communication equipment (DCE) for synchronous operation on public data networks. Signals that specify the DTE/DCE interface that are supported by X.21 are enabled through a 15 pin connector of which eight pins are used as specified below.

Table B-3
Summary of X.21 Interface Signals

Pin	Circuit Name	Circuit	Source
1	Protective Gnd	G	
8	DTE ground rtn	Ga	DTE
2,9	Transmit	T	DTE
4,11	Receive	R	DCE
3,10	Control	C	DTE
5,12	Indication	I	DCE
6,13	Signal Element Timing	S	DCE
7,14	Byte Timing	B	DCE

- Transmit - Signals on this circuit are generated by the DTE. As well as being used for the transmission of data or selection sequences to the DCE, this circuit may be held in a steady logic state of 0 or 1 together with on or off conditions of the control circuit (C) to signal DTE conditions or states.
- Receive - Signals on this circuit are generated by the DCE. The signals may be generated in response to signals received from a remote data set, generated locally by the DCE as response or control information to the DTE or held in a steady logic state of 0 or 1 together with on or off condition of the indication circuit (I) to signal DCE conditions or states.
- Control - Signals on this circuit are generated by the DTE. The on or off conditions of this circuit are used together with steady logic states (0 or 1) on the Transmit circuit to signal DTE conditions.

Indication -	Signals on this circuit are generated by the DCE. The on or off conditions of this circuit are used together with steady logic states (0 or 1) on the Receive circuit to signal DCE conditions.
Signal Element Timing	Signals on this Circuit are generated by the DCE. The signals are used for bit rate timing for the DTE.
Byte Timing -	Signals on this circuit are generated by the DCE and are optional. The signal provides byte boundaries for call control character alignment.
Signal Ground	
DTE Common GD.	

Unlike RS232 or RS449, where a DTE's or DCE's condition or state is signaled via a unique control line (ie Request To Send), X.21; uses the T, R, C and I lines to signal encoded state conditions. This is accomplished by the DTE or DCE sending steady logic conditions 0 or 1 on circuits T or R, together with associated conditions (ON or OFF) on circuits C or I, for a period of at least 24 bit intervals. Table B-4 lists X.21 signaling conditions and associated states:

Table B-4
X.21 Signaling Conditions and States

State	Circuit				Description
	T	R	C	I	
	1		Off		DTE Ready
	0		Off		DTE Uncontrolled Not Ready
	0		Off		DTE Controlled Not Ready (a 0/1 pattern is transmitted on T circuit)
		1		Off	DCE Ready
		0		Off	DCE Not Ready
1	1	1	Off	Off	Ready (DTE and DCE are Ready)
2	0		On		Call Request
3		X		Off	Proceed to Select (X = DCE transmits contiguous "+" characters preceded by 2 or more SYN characters)
4	X		On		Selection Signal Sequence (X = DTE transmits selection sequence preceded by 2 or more SYN characters)
5	1		On		DTE Waiting
6		X		Off	DCE Waiting (X = DCE transmits 2 or more SYN characters)
7		X		Off	Call progress signal sequence (x = DCE transmits 1 or more call progress blocks)
8		X		Off	Incoming Call (X = DCE transmits continuous BEL character preceded by 2 or more SYN characters)
9	1		On		Call accepted (DTE accepts incoming call)
10		X		Off	DCE provided information sequence (X = DCE transmits 1 or more DCE provided information blocks)
11		1		Off	Connector in progress (DCE Ready - entered when connection is in progress)

Table B-4 (cont'd)
X.21 Signaling Conditions and States

State	Circuit				Description
	T	R	C	I	
12		1		On	Ready for Data (DCE signals that connection is available for data transfer)
13	X	X	On	On	Data Transfer (X = data transfer on circuits T and R.)
14	0	1	Off	Off	Quiescent State - DTE signals controlled not ready and DCE signals ready, simultaneously
15	0	X	On	Off	Call collision - DTE detects incoming call in response to call request
16	0		Off		DTE Clear Request to DCE
17		0		Off	DCE clear confirmation (DCE response to state 16)
18	1	0	Off	Off	Quiescent State - DTE signals ready and DCE signals not ready, simultaneously
19		0		Off	Clear Indication - DCE indicates clearing to the DTE
20	0		Off		DTE clear confirmation - response to state 19
21		1		Off	DCE ready - response to state 17 or 20.

RS-449-C Interface

RS-449 is a general purpose 37-position and 9 position interface for data terminal equipment (DTE), circuit equipment and data communications equipment (DCE), employing serial binary data interchange. The following paragraphs define the electrical signal characteristics of RS 449.

Table B-5 RS 449 Interface Summary

Pin	Circuit Mnemonic	Circuit Name	Source
19,37	Sg	Signal Ground	---
37	SC	Send Common	DTE
20	RC	Receive Common	DCE
28	IS	Terminal In Service	DTE
15	IC	Incoming Call	DCE
12,30	TR	Terminal Ready	DCE
11,29	DM	Data Mode	DCE
4,22	SD	Send Data	DCE
6,24	RD	Receive Data	DCE
17,35	TT	Terminal Timing	DCE
5,23	ST	Send Timing	DCE
8,26	RT	Receive Timing	DCE
7,25	RS	Request To Send	DCE
9,27	CS	Clear To Send	DCE
13,31	RR	Receiver Ready	DCE
33	SQ	Signal Quality	DCE
34	NS	New Signal	DCE
16	SF	Select Frequency	DCE
16	SR	Signaling Rate Selector	DCE
2	SI	Signaling Rate Indicator	DCE
10	LL	Local Loopback	DCE
14	RL	Remote Loopback	DCE
18	TM	Test Mode	DCE
32	SS	Select Standby	DCE
36	SB	Standby Indicator	DCE

Send Common - This conductor is connected to the DTE circuit ground.

Receive Common - This conductor is connected to the DCE circuit ground.

Terminal In Service - The ON condition indicates that the DTE is in service and, in switched network applications that employ line polling, allows incoming calls to be connected to the DCE. The OFF condition signals that the DCE is not available for service. This may be caused by a DTE test condition.

Incoming Call - The ON condition indicates that an incoming call is being received by the DCE. The OFF condition is maintained during the OFF segment of the ringing cycle.

Terminal Ready - Signals on this circuit are used to control switching of the DCE to and from the communications channel.

Data Mode - The ON condition of this circuit indicates that the DCE is transmitting. The OFF condition is an indication that the DTE is to disregard signals appearing on all other interchange circuits with the exception of Circuit IC (Incoming Call), Circuit TM (Test Mode) and Circuit SB (Standby Indicator).

Send Data - The data signal originated by the DTE to be transmitted via the data channel to one or more remote data stations are transferred on this circuit to the DCE.

Receive Data - The data signals generated by the DCE in response to data channel line signals received from a remote data station are transferred on this circuit to the DTE.

Terminal Timing - Signals on this circuit provide the DCE with transmit signal element timing information.

Send Timing - Signals on this circuit provide the DTE with transmit signal element information.

Receive Timing - Signals on this circuit provide the DTE with receive element timing information.

Request to Send - Signals on this circuit control the data channel transmit function of the local DCE and, on a half duplex channel, control the direction of data transmission of the local DCE.

Clear To Send - Signals on this circuit indicate the transmit enable state on the data channel.

Receiver Ready - Signals on this circuit indicate that the DCE receiver may or may not be conditioned to receive data signals from the communication channel.

Signal Quality - Not supported

New Signal - Not supported

Select Frequency - Signals on this circuit are used to select the transmit and receive frequency bands of a DCE.

Signaling Rate Detector - Signals on this circuit are used to select one of the two data signaling rates of a dual rate synchronous DCE or to select one of the two ranges of data signaling rates of a dual range non-synchronous DCE.

Signaling Rate Indicator - Not supported.

Secondary Send Data (To DCE) - Not supported.

Secondary Receive Data (From DCE) - Not supported.

Secondary Request To Send (To DCE) - Not supported.

Secondary Clear To Send (From DCE) - Not supported.

Secondary Receiver Ready (From DCE) - Not supported.

Local Loopback (To DCE) - Not Supported.

Remote Loopback - Not supported.

Test Mode - Not supported.

Select Standby - Not supported.

APPENDIX

C

**FIELD LEVEL
DIAGNOSTIC
ERROR CODES**

APPENDIX C

FIELD LEVEL DIAGNOSTIC ERROR CODES

(702-0183) or (702-0240)

<u>TEST NO.</u>	<u>TEST NAME</u>	<u>ERROR CODE</u>	<u>FAILING MODULE or DESCRIPTION</u>
1	DMA/PIO	NONE	Screen display of the expected data and actual data.
2	DMA	NONE MULTIPLEXER TEST	Screen display of the failing address, expected data and actual data.
3	MOVING INVERSIONS	NONE	Screen display of the failing address, expected data and actual data.
4	SIO EXTERNAL LOOP	F0	Receiver failed to enter hunt mode in either Bisync or SDLC mode of testing. Display will give mode of testing.
		F1	Transmitter failing to send sync or flag characters during Bisync or SDLC mode of testing. Display will give mode of testing.
		F2	Receiver failed to receive sync or flag character and exit hunt mode. Display will give mode of testing.
		F3	Transmitter failing to transmit data characters. Display will give mode of testing.
		F4	Receiver failed to receive transmitted character. Display will give mode of testing.
		F5	Data error between transmitted and received character. Display will give mode of testing, expected and actual character.
		F6	Transmit interrupt failed to occur during Bisync mode of testing.

<u>TEST NO.</u>	<u>TEST NAME</u>	<u>ERROR CODE</u>	<u>FAILING MODULE or DESCRIPTION</u>
		F7	Receive interrupt failed to occur during Bisync mode of testing.
		F8	Overrun interrupt failed to occur during Bisync mode of testing.
		F9	CTS interrupt failed to occur during Bisync mode of testing.
		FA	DCD interrupt failed to occur during Bisync mode of testing.
		FB	DCD interrupt occurred when DCD was supposed to be turned off during Bisync mode of testing.
5	SIO/DMA	FC	SIO failed to enter hunt mode after initialization.
		F1	SIO failed to transmit sync characters after transmitter initialization.
		F2	SIO failed to receive sync characters and exit hunt mode.
		F3	Timed out waiting for transfer complete on channels 0 and 1 of the DMA chip.
		F4	CTC channel 2 downcounter failed to decrement as a result of EOP from the DMA.
		F5	Data error between transmitted and received data. Expected and actual data are displayed.
		F6	Parity error occurred during DMA transfer.
6	CC RAM	F0	Character was recognized during non-recognition test. The character that caused the failure which equivocates to the RAM address is displayed.

<u>TEST NO.</u>	<u>TEST NAME</u>	<u>ERROR CODE</u>	<u>FAILING MODULE or DESCRIPTION</u>
		F1	Character failed to be recognized during recognition test. The character that caused the failure which equivocates to the RAM address is displayed.
7	PRIORITY	F0	CTC interrupt failed to occur in allotted time.
		F1	SIO interrupt failed to occur after CTC interrupt had occurred and before a return from interrupt was executed.
		F2	PIO interrupt occurred before completion of service to the CTC interrupt (i.e., a return from interrupt has not been executed).
		F3	PIO interrupt failed to occur within the allotted time.
8	ACU LOOP BACK TEST	F0	The all 00's test failed.
		F1	The sliding bit test failed.

APPENDIX

D

RAM

CHIP

LAY-

OUTS

APPENDIX D

RAM CHIP LAYOUTS

RAM chip layout for the 210-7659-3C (64K) daughterboard is shown below.
The RAM (WLI #377-0345-M) is 16K x 1 bit format.

Bank #	Bit Weight								
	80	40	20	10	8	4	2	1	P
1 (0000 to 3FFF)	L13	L12	L11	L10	L9	L8	L7	L6	L5
3 (8000 to BFFF)	L26	L25	L24	L23	L22	L21	L20	L19	L18
2 (4000 to 7FFF)	L39	L38	L37	L36	L35	L34	L33	L32	L31
4 (C000 to FFFF)	L53	L52	L51	L50	L49	L48	L47	L46	L45

RAM chip layout for the 210-7855-A (128K) daughterboard is shown below.
The RAM (WLI #377-0645) is 64K x 1 bit format.

Bank #	Bit Weight								
	80	40	20	10	8	4	2	1	P
1 (0000 to FFFF)	L7	L14	L22	L30	L38	L40	L50	L52	L61
2 (10000 to 1FFFF)	L8	L15	L23	L31	L39	L41	L51	L53	L62

APPENDIX

E

EIA INTERFACE

TEST SET AND

BREAKOUT BOXES

APPENDIX E

EIA INTERFACE TEST SET AND BREAKOUT BOXES

An EIA Interface Test Set or "Breakout Box" is a self-contained pocket size test set that can be inserted between the Data Communication Equipment (DCE) or modem and Data Terminal Equipment (DTE). Breakout Boxes allow the user to monitor the interface signals and to isolate and identify sources of trouble.

A Breakout Box contains indicators which continuously monitor the level of the EIA sensing circuits which drive LEDs to indicate the ON or OFF levels of the following EIA signals - transmitted data, received data, request to send, clear to send, data set ready, received carrier detect, data terminal ready, signal quality detect and ring indicator.

Two indicators also monitor the transmit and receive clock signals. Two additional uncommitted indicators are available for monitoring either positive or negative levels on any of the interface lines.

Breakout Boxes also contain 24 switches which allow any of the interface signals except line one (Frame Ground) to be interrupted. These switches are physically located in the center of the front panel and functionally divide the test set into two halves. One half contains a cable and connector for connecting the test set to the DCE (data communications equipment) or modem. The other half of the Test Set contains a connector to which the DTE (Terminal or CPU) can be connected .

Twenty five pins are located on both sides of the switches. These pins permit monitoring of any of the interface lines with either or both of the positive and negative test indicators with jumpers supplied or by probing with an external meter or oscilloscope.

To operate a test set, the EIA RS-232 interface cable from the modem is unplugged and plugged into the Test Set 25-pin female connector labeled "To DCE" (data communications equipment). The Test Set male connector, labeled "To DCE" is then connected directly to the modem.

APPENDIX

F

LOOP-

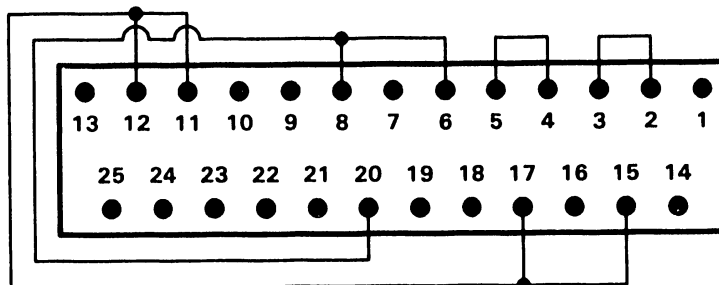
BACK

CONNEC-

TOR

DIAGRAMS

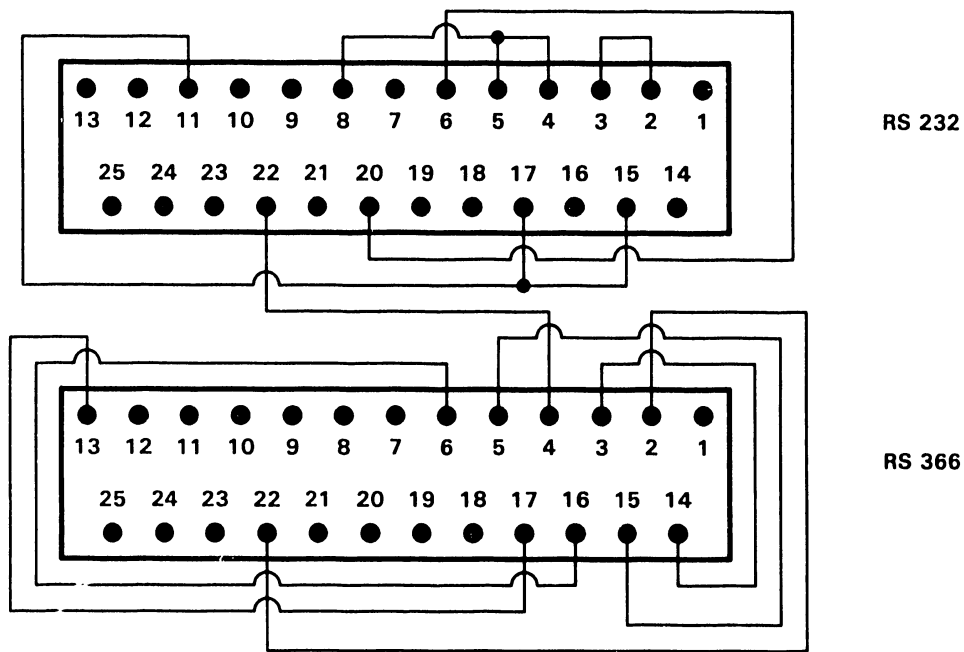
APPENDIX F
 LOOPBACK CONNECTOR DIAGRAMS



350-1030 DB-25P CH Connector 6000 Series

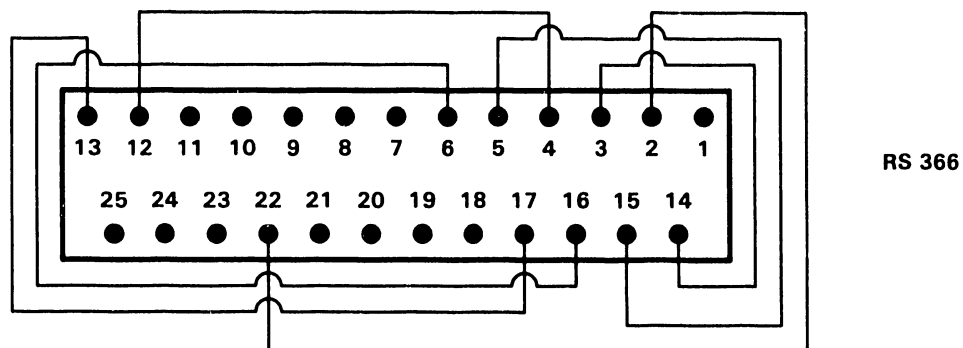
Pins	Description	Jumper Pin Location	
		From	To
2	Transmit Data	2	3
3	Receive Data	4	5
4	Request to Send	6	8
5	Clear to Send	8	20
6	Data Set Ready	11	12
8	Receive Line Sig Detector	12	15
11	Secondary Req to Send	15	17
12	Secondary Rec'd Line Sig Det		
15	Receiver Sig Element Tim		
17	Receiver Sig Element Tim		
20	Data Terminal Ready		

Figure F-1 RS-232 Loopback Connector (WLI #420-1040)



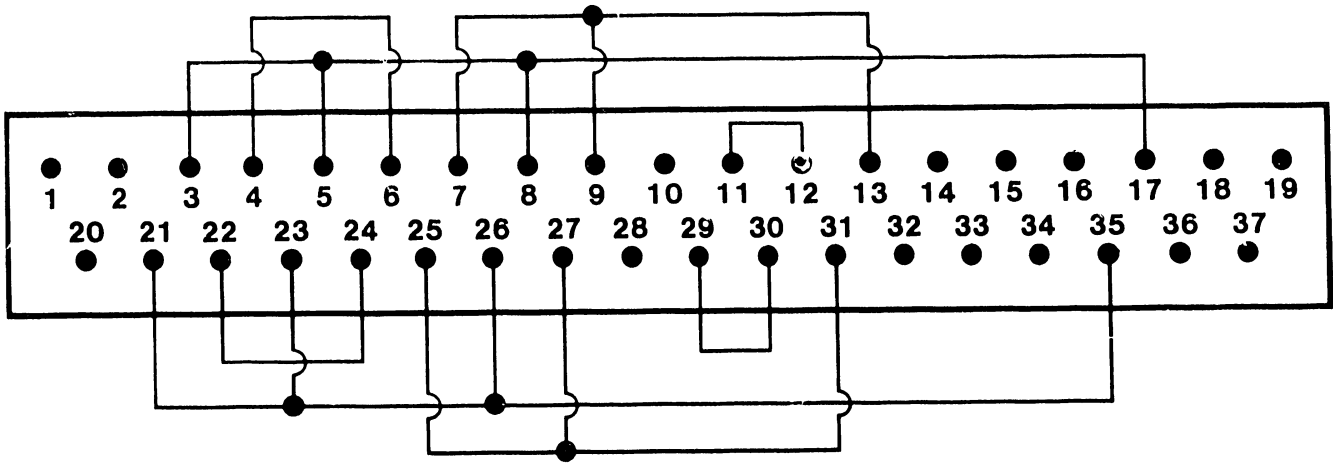
Pins	Description	Jumper Pin Location	
		From	To
RS-232	2 Transmit Data	2	3
	3 Receive Data	4	5
	4 Request to Send	5	8
	5 Clear to Send	6	20
	6 Data Set Ready	11	15
	8 Receive Line Sig Detector	15	17
	11 Secondary Req to Send		22--
	12 Secondary Rec'd Line Sig Det		
	15 Receiver Sig Element Tim	RS-366	
	17 Receiver Sig Element Tim		
	20 Data Terminal Ready		
	22 Ring Indicator		4--
RS-366	2 Digit Present	2	22
	3 Abandon Call and Retry	3	14
	4 Call Request	5	15
	5 Present Next Digit	6	16
	6 Power Indication	13	17
	13 Data Set Status		
	14 Digit Bit 0 (LSB)		
	15 Digit Bit 1		
	16 Digit Bit 2		
	17 Digit Bit 3		
	22 Data Line Occupied		

Figure F-2 RS-232-366 Loopback Connector (WLI #420-1041)



<u>Pins</u>	<u>Description</u>	<u>Jumper Pin Location</u>	
		From	To
2	Digit Present		
3	Abandon Call and Retry	2	22
4	Call Request	3	14
5	Present Next Digit	4	12
6	Power Indication	5	15
12	Secondary Carrier Detect	6	16
13	Data Set Status	13	17
14	Digit Bit 0 (LSB)		
15	Digit Bit 1		
16	Digit Bit 2		
17	Digit Bit 3		
22	Data Line Occupied		

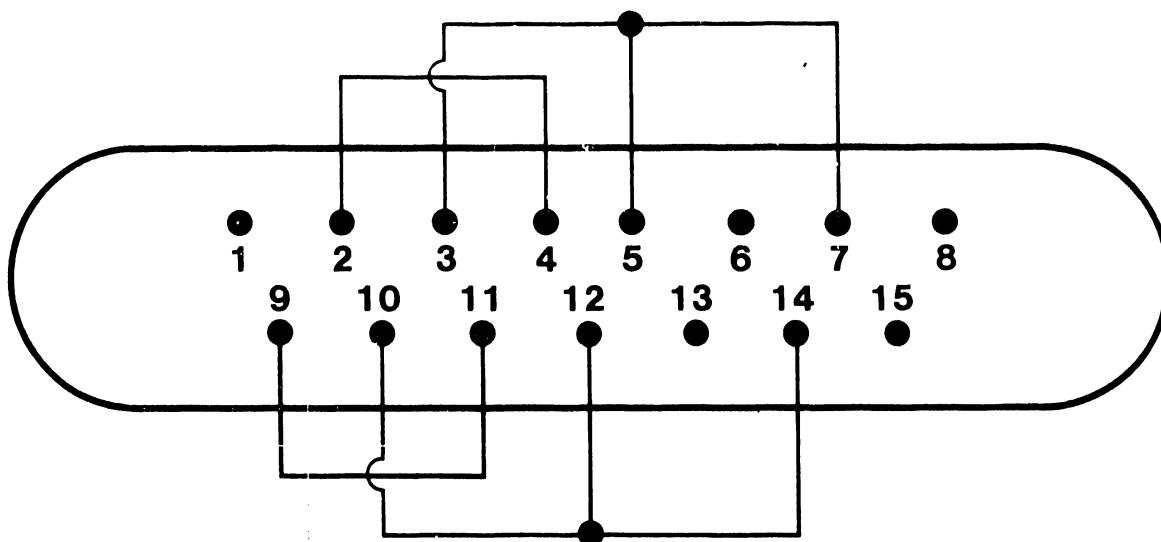
Figure F-3 RS-366/ACU Loopback Connector (WLI #420-1104)



DC-37S Connector 6000 Series WLI #350-1033

Pins	Description	Jumper Pin Location	
		From	To
3	Spare		
21	Spare	3	5
4	Send Data (+)	4	6
22	Send Data (-)	5	8
5	Send Timing (+)	7	9
23	Send Timing (-)	8	17
6	Receive Data (+)	9	13
24	Receive Data (-)	11	12
7	Request to send (+)	21	23
25	Request to send (-)	22	24
8	Receive Timing (+)	23	26
26	Receive Timing (-)	25	27
9	Clear to Send (+)	26	35
27	Clear to Send (-)	27	31
11	Data Mode (+)	29	30
29	Data Mode (-)		
12	Terminal Ready (+)		
30	Terminal Ready (-)		
13	Receive Ready (+)		
31	Receive Ready (-)		
17	Terminal Timing (+)		
35	Terminal Timing (-)		

Figure F-4 RS-449 Loopback Connector (WLI #270-3193)



Female Connector 15 Pos. D Series WLI #350-1068

Pins	Description		Jumper Pin Location	
			From	To
2	Transmit	(+)		
9	Transmit	(-)	2	4
4	Receive	(+)	3	5
11	Receive	(-)	5	7
5	Indication	(+)	9	11
12	Indication	(-)	10	12
3	Control	(+)	12	14
10	Control	(-)		
7	Byte Timing	(+)		
14	Byte Timing	(-)		

Figure F-5 X.21 Loopback Connector (WLI # 421-0010)

CHAPTER

6

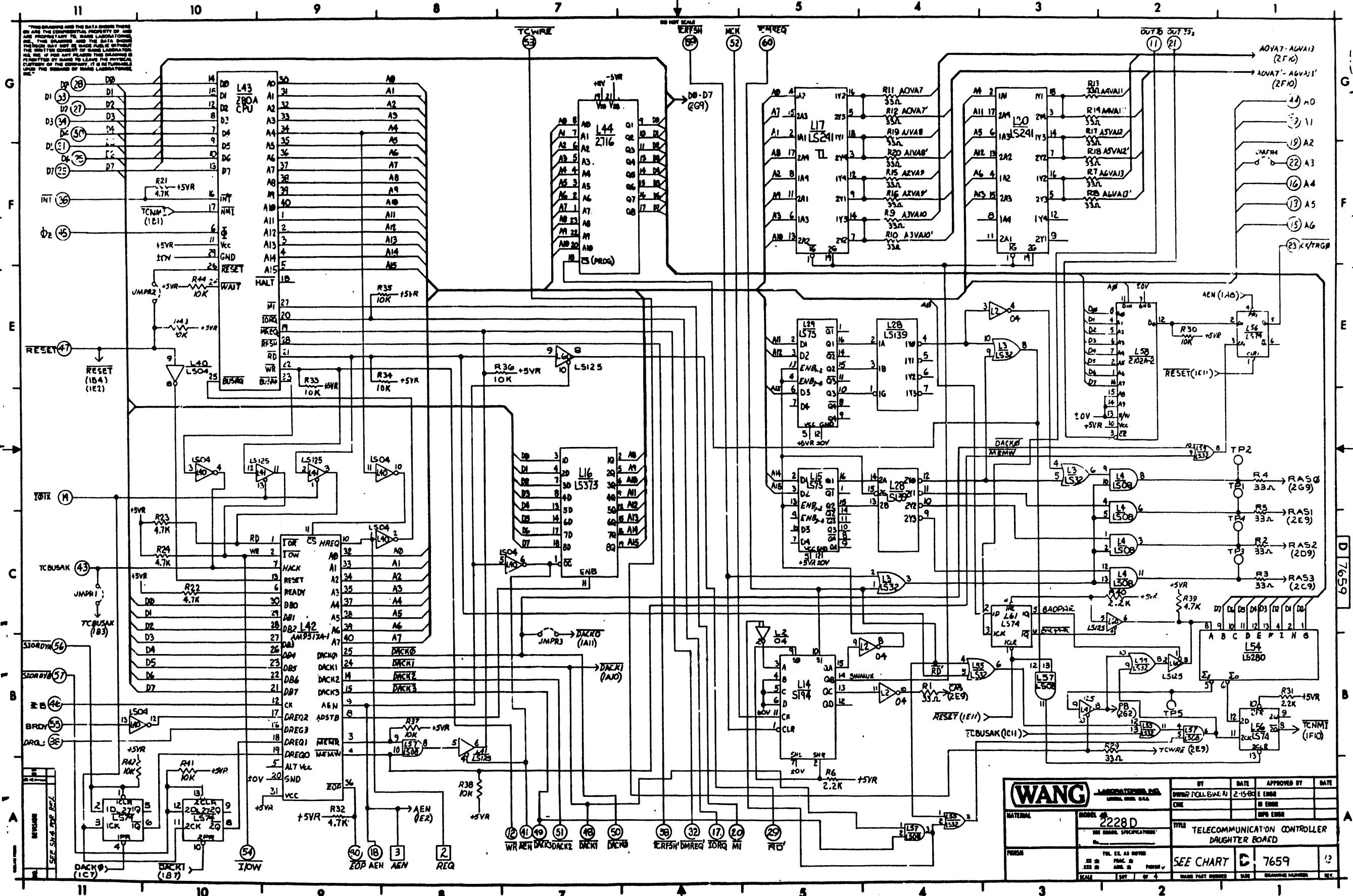
SCHE-

MATICS

CHAPTER 6
SCHEMATICS

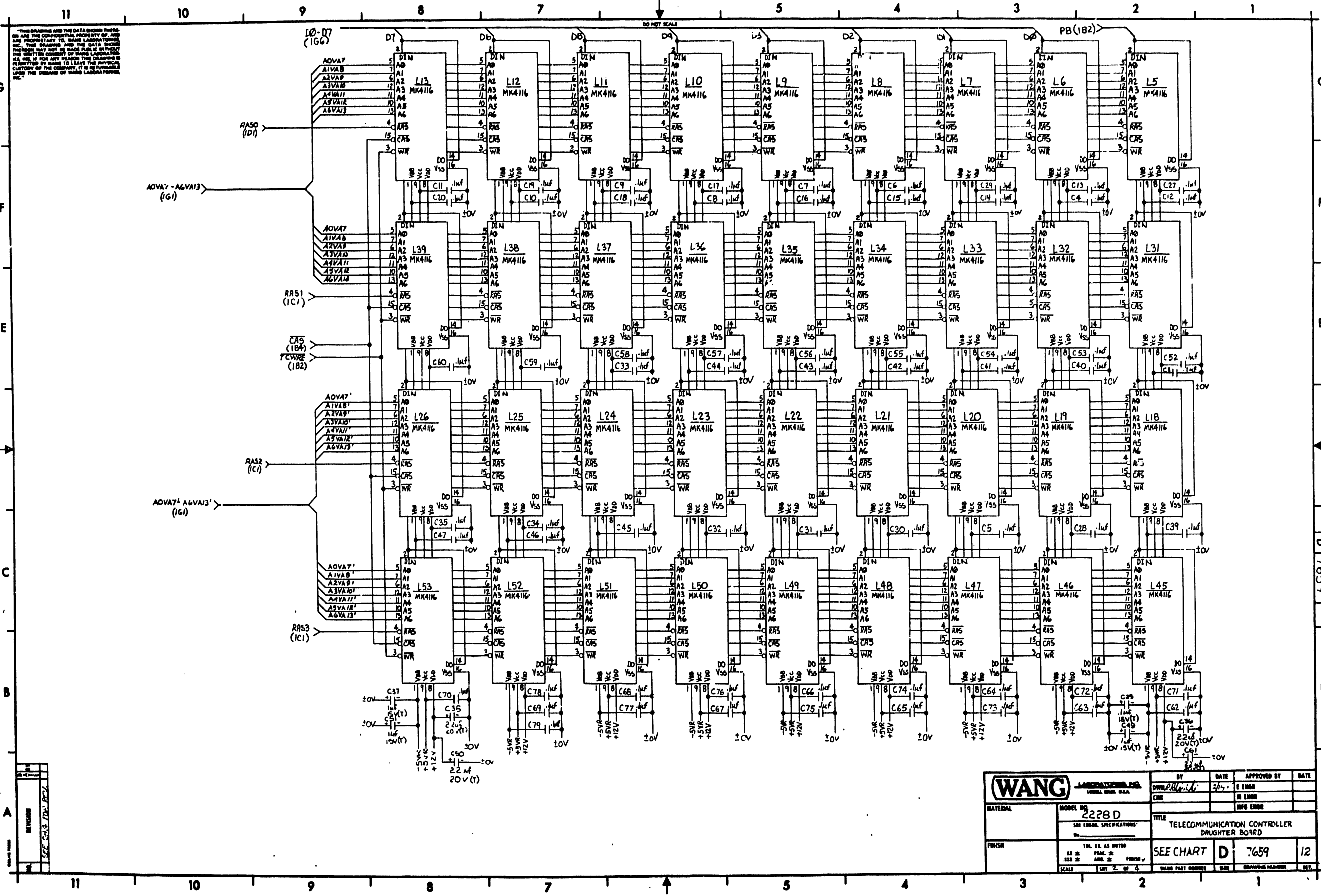
This chapter contains the following schematic drawings:

<u>Part No.</u>	<u>Sheets</u>	<u>Title</u>
210-7659	4	TC Controller, Daughterboard (64K)
210-7855	5	TC Controller, Daughterboard (128K)
210-7857	5	TC Controller, Motherboard (RS-449)
210-7858	6	TC Controller, Motherboard (RS-232)
210-7859	5	TC Controller, Motherboard (X.21)



THIS DRAWING AND THE DATA THEREON ARE THE PROPERTY OF WANG LABORATORIES, INC. AND ARE TO BE KEPT IN CONFIDENTIALITY. THE DRAWING AND THE DATA THEREON ARE TO BE KEPT IN CONFIDENTIALITY AND NOT TO BE REPRODUCED OR TRANSMITTED IN ANY FORM OR BY ANY MEANS, ELECTRONIC OR MECHANICAL, INCLUDING PHOTOCOPYING, RECORDING, OR BY ANY INFORMATION STORAGE AND RETRIEVAL SYSTEM. THE DRAWING AND THE DATA THEREON ARE TO BE KEPT IN CONFIDENTIALITY AND NOT TO BE REPRODUCED OR TRANSMITTED IN ANY FORM OR BY ANY MEANS, ELECTRONIC OR MECHANICAL, INCLUDING PHOTOCOPYING, RECORDING, OR BY ANY INFORMATION STORAGE AND RETRIEVAL SYSTEM.

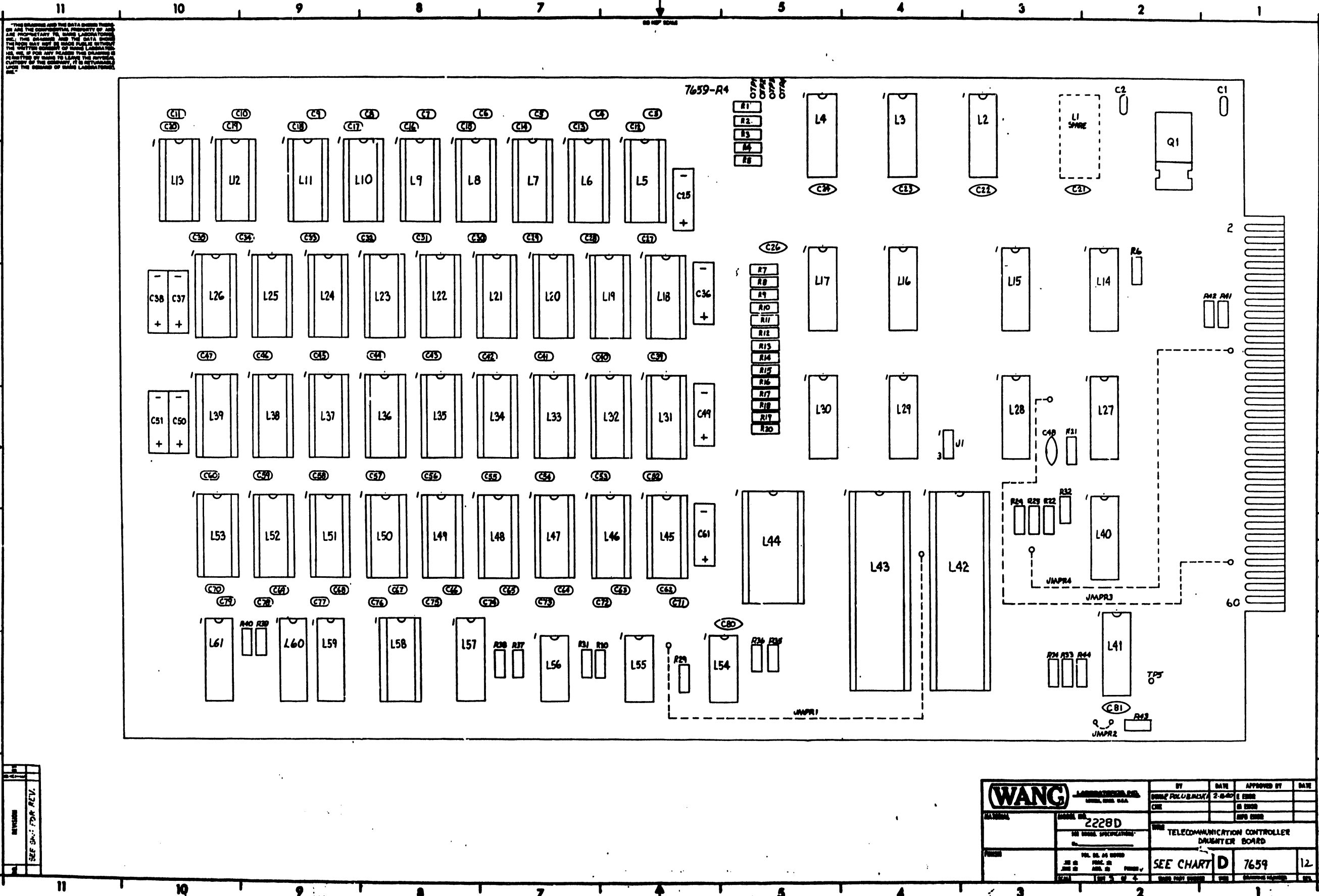
WANG LABORATORIES, INC. MODEL 2228 D		DATE	APPROVED BY	DATE
TITLE TELECOMMUNICATION CONTROLLER DAUGHTER BOARD		DATE	APPROVED BY	DATE
PART NO. 7659		DATE	APPROVED BY	DATE
REV. 1.0		DATE	APPROVED BY	DATE
DRAWN BY		DATE	APPROVED BY	DATE
CHECKED BY		DATE	APPROVED BY	DATE
DESIGNED BY		DATE	APPROVED BY	DATE
TESTED BY		DATE	APPROVED BY	DATE
ASSEMBLED BY		DATE	APPROVED BY	DATE
INSPECTED BY		DATE	APPROVED BY	DATE



THIS DRAWING AND THE DATA SHOWN THEREON ARE THE CONFIDENTIAL PROPERTY OF WANG LABORATORIES, INC. AND THE INFORMATION CONTAINED HEREIN IS UNCLASSIFIED. THIS DRAWING AND THE DATA SHOWN THEREON MAY NOT BE REPRODUCED OR TRANSMITTED IN ANY FORM OR BY ANY MEANS, ELECTRONIC OR MECHANICAL, INCLUDING PHOTOCOPYING, RECORDING, OR BY ANY INFORMATION STORAGE AND RETRIEVAL SYSTEM, WITHOUT THE WRITTEN PERMISSION OF WANG LABORATORIES, INC. IF YOU ARE A CONTRACTOR OF WANG LABORATORIES, INC., YOU SHALL NOT DISCLOSE THE CONTENTS OF THIS DRAWING TO ANY OTHER PERSON OR ENTITY WITHOUT THE WRITTEN PERMISSION OF WANG LABORATORIES, INC.

REVISION	DATE	BY
1	10-23-72	WJL

WANG LABORATORIES, INC. WANG LAB. BLDG. MA		BY DWM/PLH/SL	DATE 3/77	APPROVED BY E EMBR	DATE
MATERIAL	MODEL NO. 2228D	TITLE TELECOMMUNICATION CONTROLLER DAUGHTER BOARD			
FINISH	10L, 1K, AS, 0100 PAC. 2 ANG. 2 SCALE	SEE CHART	D	7659	12



THIS DRAWING AND THE DATA HEREON ARE THE PROPERTY OF WANG LABORATORIES, INC. THE DRAWING AND THE DATA HEREON MAY NOT BE REPRODUCED OR TRANSMITTED IN ANY FORM OR BY ANY MEANS, ELECTRONIC OR MECHANICAL, INCLUDING PHOTOCOPYING, RECORDING, OR BY ANY INFORMATION STORAGE AND RETRIEVAL SYSTEM, WITHOUT THE WRITTEN PERMISSION OF WANG LABORATORIES, INC. IN ANY CASE, THE USER SHALL BE RESPONSIBLE FOR OBTAINING THE NECESSARY PERMISSIONS FROM THE APPROPRIATE AGENCIES FOR THE REPRODUCTION OF THIS DRAWING AND THE DATA HEREON.

REVISION
 SEE CHART FOR REV.

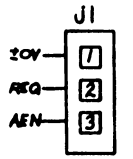
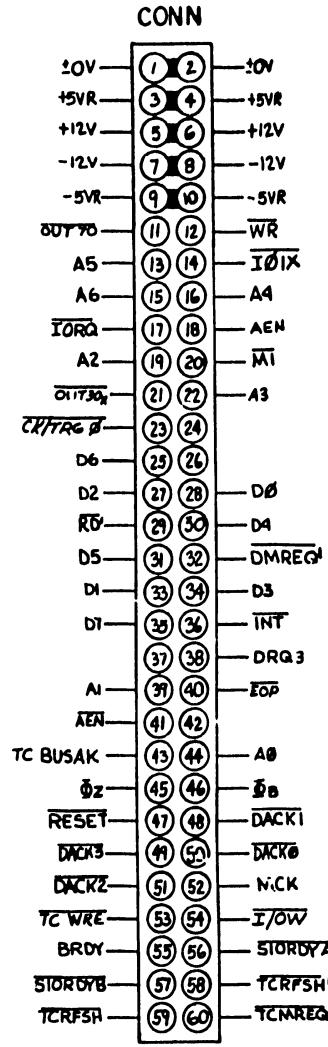
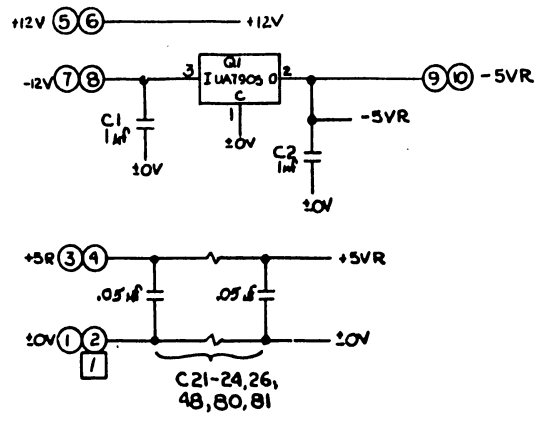
(WANG) LABORATORIES, INC. COMM. DIV. 228D		BY CIR	DATE 2-8-60	APPROVED BY E EBB	DATE
228D TELECOMMUNICATION CONTROLLER DAUGHTER BOARD		SEE CHART D 7659 12			

THIS DRAWING AND THE DATA SHOWN THEREON ARE THE CONFIDENTIAL PROPERTY OF AND ARE PROPRIETARY TO BANG LABORATORIES, INC. THE DRAWING AND THE DATA SHOWN THEREON MAY NOT BE MADE PUBLIC WITHOUT THE WRITTEN CONSENT OF BANG LABORATORIES, INC. IF FOR ANY REASON THIS DRAWING IS PERMITTED BY BANG TO LEAVE THE PHYSICAL CUSTODY OF THE COMPANY, IT IS RETURNABLE UPON THE DEMAND OF BANG LABORATORIES, INC.

COMPONENT	TYPE	W.L. PART NO.
Q1	UA7905	374-0002
R1-5, 7-20, 29	33Ω, 1/4W, 10%	330-1033
R6, 51, 40	2.2K, 1/4W, 10%	330-3022
R21-24, 32, 39	4.7K, 1/4W, 10%	330-3047
R30, 33-38, 41-44	10K, 1/4W, 10%	330-4010
C1, 2	1μF, 50V	300-1931
C3-20, 27-35, 39-47, 52-60, 62-79	.1μF, 50V	300-1930
C21-24, 26, 48, 80, 81	.05μF, 12V	300-1900
C25, 31, 49, 51	1μF, 15V(T)	300-405b
C36, 38, 50, 61	2.2μF 20V(T)	300-90M
J1	3 POS. HEADER	654-0104

IC LOCATION	W.L. PART NO.	TYPE
L1		SPARE
L2	376-0010	7404
L3, 55, 59	376-0211	74LS32
L4, 37	376-0153	74LS08
L5-13, 18-26, 31-39, 45-53	SEE CHART	MK4116
L14	376-0221	74S194
L15, 29	376-0312	74LS75
L16	376-0310	74LS373
L17, 30	376-0284	74LS241
L20	376-0226	74LS139
L41, 60	376-0486	74LS125
L42	SEE CHART	AM9817A-1
L43	SEE CHART	Z80A CPU
L44	SEE CHART	TMS 2716
L54	376-0242	74LS280
L56, 27, 61	376-0155	74LS74
L40	376-0180	74LS04
L58	SEE CHART	Z80A-2
L5-13, 18-26, 31-39, 45-53	SKT, 16 PIN	376-9002
L42, 43	SKT, 40 PIN	376-9011
L44	SKT, 24	376-9003

IC TYPE	LOCATION	SPARES
7404	L2	2
74LS32	L3	1
74LS74	L61	1
74LS125	L60	1



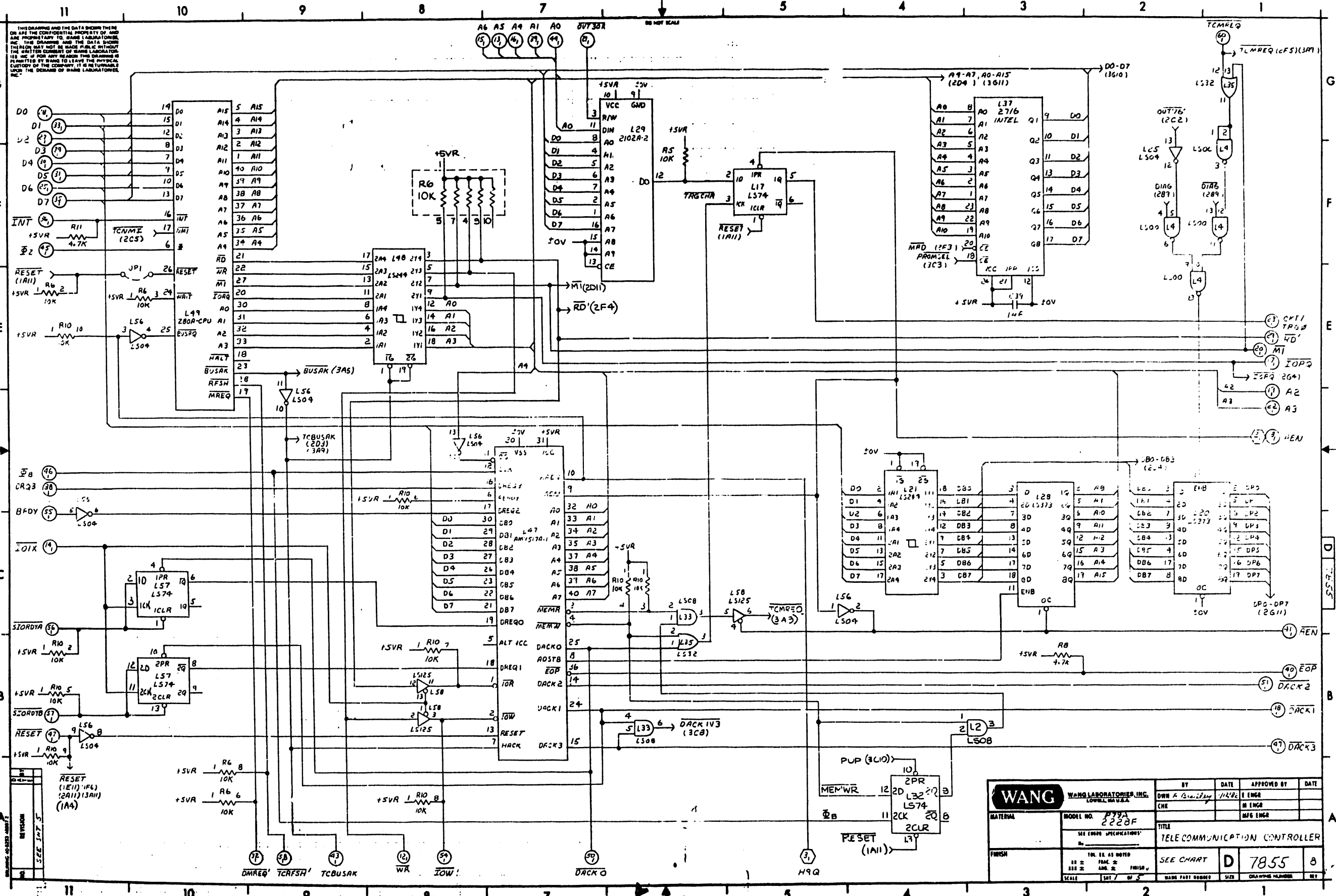
MNEMONIC	COORD.
AD-A6	1G1
AEN	1A7
AEN	1A9
BRDY	1B11
DB-D7	1G11
CR/TRG	1F1
DACK0-DACK3	1A7
DMREQ	1A6
DRQ3	1B11
I/OX	1D11
ΦB	1B11
ΦZ	1F11
INT	1F11
I/OA	1A6
REQ	1G6
M1	1A6
RD	1A5
RESET	1E11
STORDYA	1B11
STORDYB	1B11
TC	1A9
TCBUSAK	1C11
TCMREQ	1G5
TCRFSH	1G6
TCRFSH	1A6
TCWRE	1G7
WR	1A7
OUT 30r	1G2
OUT 70	1G2
30W	1A10
EOP	1A9
REQ	1A8

210 = 209 + 377 OR 378								
210	209	L5-13, 31-39	L18-26	L42	L43	L44	L45-53	L50
7659-1A	7659-1	377-0345		377-0388	377-0368	378-4379-41		377-0363
7659-2A	7659-2	377-0345	377-0345	377-0388	377-0368	378-4380-44		377-0363
7659-3A	7659-3	377-0345	377-0345	377-0388	377-0368	378-4381-41	377-0345	377-0363
7659-1B	7659-1	377-0345		377-0388	377-0368	378-4235-45		377-0363
7659-2B	7659-2	377-0345	377-0345	377-0388	377-0368	378-4235-45		377-0363
7659-3B	7659-3	377-0345	377-0345	377-0388	377-0368	378-4235-45	377-0345	377-0363
7659-1C	7659-1	377-0345		377-0388	377-0368	378-4388		377-0363
7659-2C	7659-2	377-0345	377-0345	377-0388	377-0368	378-4389		377-0363
7659-3C	7659-3	377-0345	377-0345	377-0388	377-0368	378-4390	377-0345	377-0363
7659-1D	7659-1	377-0345		377-0388	377-0368	378-4391		377-0363
7659-2D	7659-2	377-0345	377-0345	377-0388	377-0368	378-4391		377-0363
7659-3D	7659-3	377-0345	377-0345	377-0388	377-0368	378-4391	377-0345	377-0363

REV	DATE	BY	APP'D	DESCRIPTION
1	10-27-80	J.E.R.	J.E.R.	REVISED PER ECO # 18391
2	10-27-80	J.E.R.	J.E.R.	REVISED PER ECO # 18391
3	10-27-80	J.E.R.	J.E.R.	REVISED PER ECO # 18391
4	10-27-80	J.E.R.	J.E.R.	REVISED PER ECO # 18391
5	10-27-80	J.E.R.	J.E.R.	REVISED PER ECO # 18391
6	10-27-80	J.E.R.	J.E.R.	REVISED PER ECO # 18391
7	10-27-80	J.E.R.	J.E.R.	REVISED PER ECO # 18391
8	10-27-80	J.E.R.	J.E.R.	REVISED PER ECO # 18391
9	10-27-80	J.E.R.	J.E.R.	REVISED PER ECO # 18391
10	10-27-80	J.E.R.	J.E.R.	REVISED PER ECO # 18391
11	10-27-80	J.E.R.	J.E.R.	REVISED PER ECO # 18391
12	10-27-80	J.E.R.	J.E.R.	REVISED PER ECO # 18391
13	10-27-80	J.E.R.	J.E.R.	REVISED PER ECO # 18391
14	10-27-80	J.E.R.	J.E.R.	REVISED PER ECO # 18391
15	10-27-80	J.E.R.	J.E.R.	REVISED PER ECO # 18391
16	10-27-80	J.E.R.	J.E.R.	REVISED PER ECO # 18391
17	10-27-80	J.E.R.	J.E.R.	REVISED PER ECO # 18391
18	10-27-80	J.E.R.	J.E.R.	REVISED PER ECO # 18391
19	10-27-80	J.E.R.	J.E.R.	REVISED PER ECO # 18391
20	10-27-80	J.E.R.	J.E.R.	REVISED PER ECO # 18391

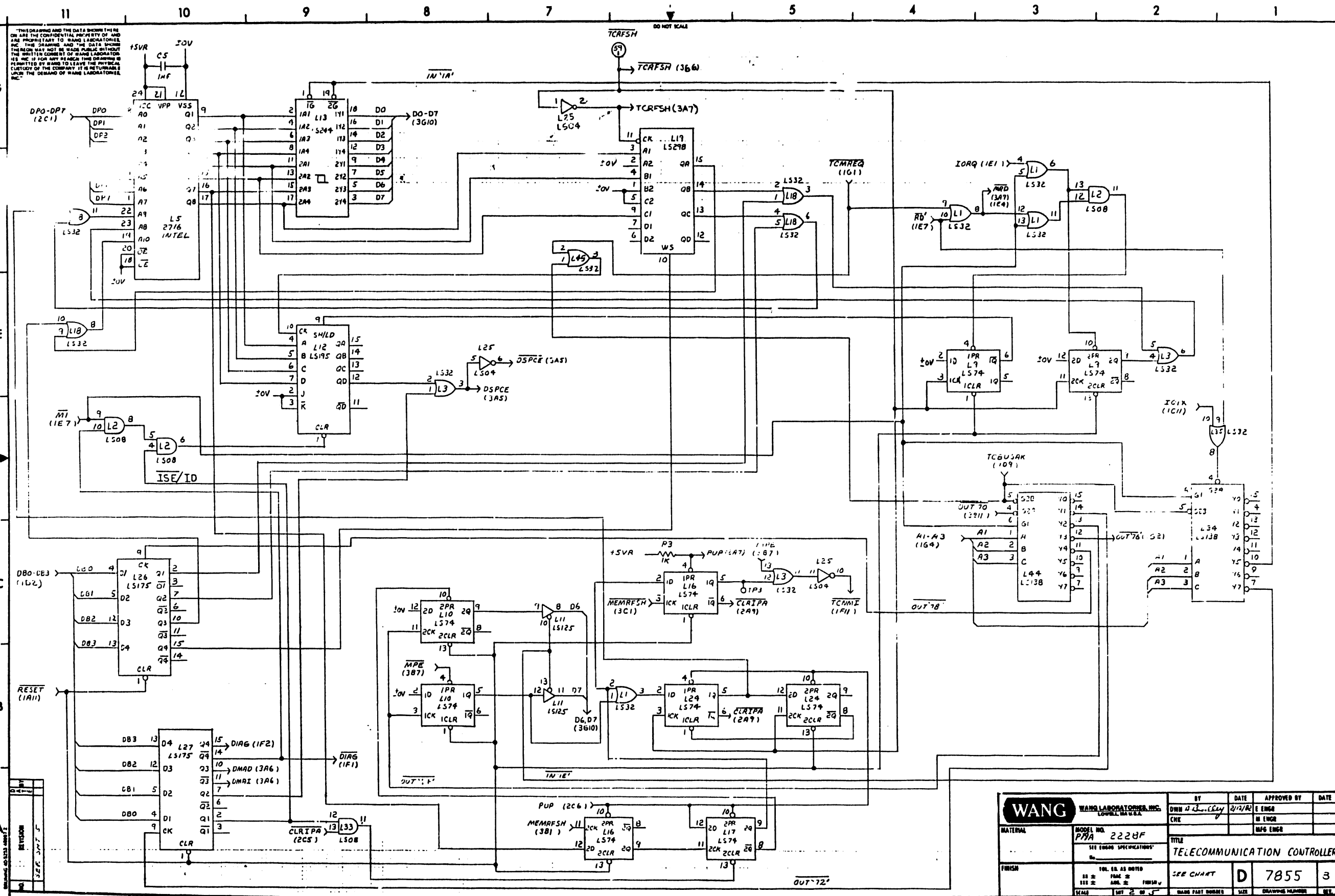
E-REV
2 0 0 0
7659 7659-1 7659-2 7659-3

WANG		BY	DATE	APPROVED BY	DATE
MODEL NO. 2228D		DATE	2-15-80	DATE	1/6/80
TELECOMMUNICATION CONTROLLER DAUGHTER BOARD		DATE	1/6/80	DATE	1/6/80
SEE CHART D		7659			



THIS DRAWING AND THE DATA SHOWN THERE ON ARE THE CONFIDENTIAL PROPERTY OF WANG AND PROPERTY OF WANG LABORATORIES INC. THE DRAWING AND THE DATA SHOWN THEREON MAY NOT BE MADE PUBLIC WITHOUT THE WRITTEN CONSENT OF WANG LABORATORIES INC. IF FOR ANY REASON THIS DRAWING IS PLACED IN THE PUBLIC DOMAIN BY WANG LABORATORIES BY WANG TO LEAVE THE PHYSICAL PROPERTY OF THE COMPANY, IT IS HEREBY RELEASED TO THE PUBLIC DOMAIN OF WANG LABORATORIES INC.

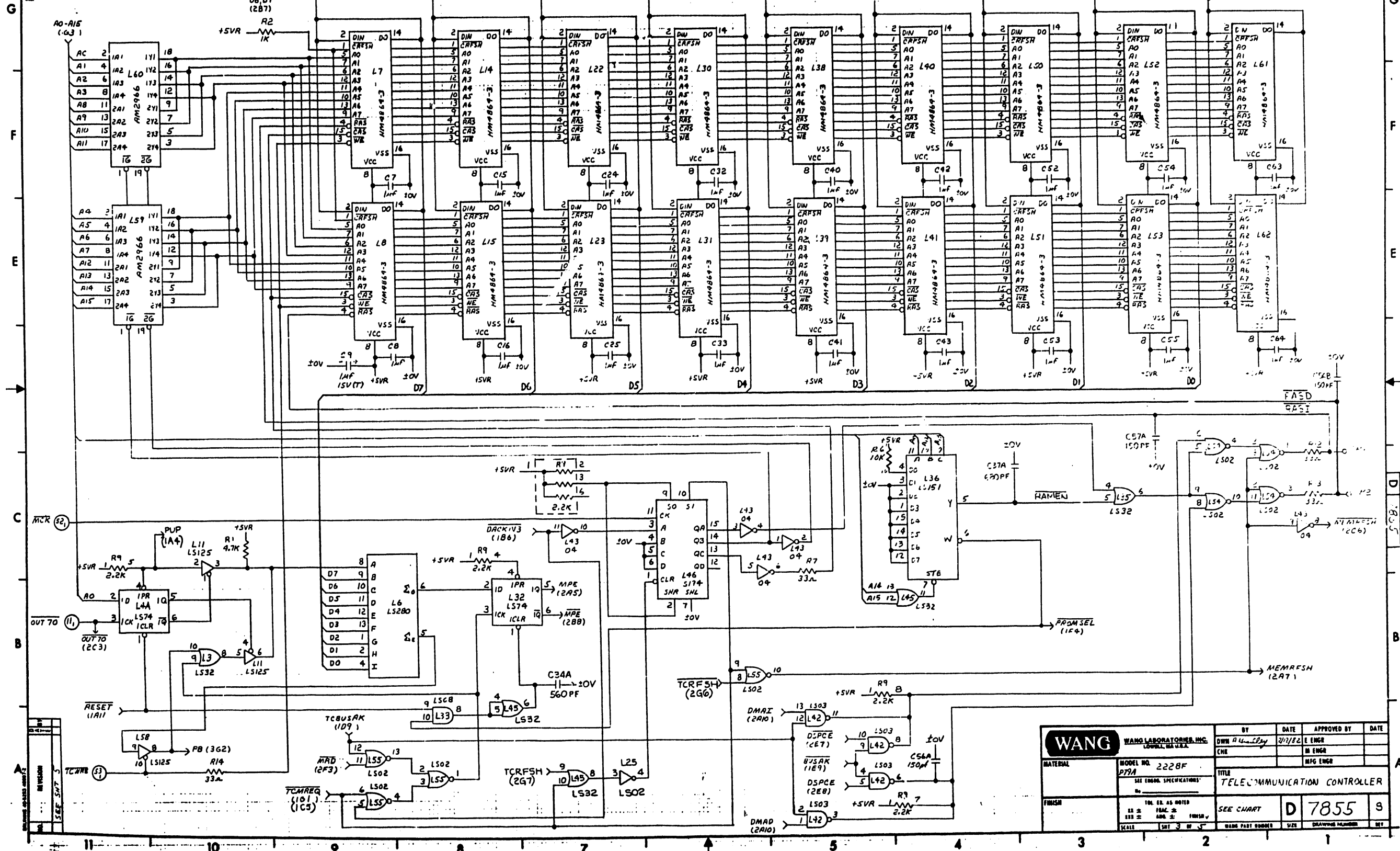
WANG		WANG LABORATORIES INC. LOWELL, MASS.		BY	DATE	APPROVED BY	DATE
MATERIAL	MODEL NO. P99A 2228F	CHE		DWN A Gentry	7/28/81	E ENGR	
TITLE TELECOMMUNICATION CONTROLLER		SEE CHART		D 7855		B	
FINISH		SCALE		DRAWING NUMBER		REV	



THIS DRAWING AND THE DATA HEREON THEREIN ARE THE CONFIDENTIAL PROPERTY OF WANG LABORATORIES, INC. THIS DRAWING AND THE DATA HEREON MAY NOT BE MADE PUBLIC WITHOUT THE WRITTEN CONSENT OF WANG LABORATORIES, INC. IF FOR ANY REASON THE DRAWING IS REPRODUCED BY ANY MEANS THE PHYSICAL CUSTODY OF THE COMPANY IS RETURNABLE UPON THE DEMAND OF WANG LABORATORIES, INC.

WANG WANG LABORATORIES, INC. Lowell, MA, U.S.A.		BY	DATE	APPROVED BY	DATE
MATERIAL	MODEL NO. 2228F PFA SEE BOARD SPECIFICATIONS	DWH	2/13/74	E ENGR	
FINISH	TITLE TELECOMMUNICATION CONTROLLER	CHE		M ENGR	
	SEE CHART			MFG ENGR	
	D 7855 3				

THE DRAWING AND THE DATA SHOWN THEREIN ARE THE CONFIDENTIAL PROPERTY OF, AND ARE PROPRIETARY TO, WANG LABORATORIES, INC. THE DRAWING AND THE DATA SHOWN THEREIN MAY NOT BE MADE PUBLIC WITHOUT THE WRITTEN CONSENT OF WANG LABORATORIES, INC. IF FOR ANY REASON THIS DRAWING IS PERMITTED BY WANG TO LEAVE THE PHYSICAL CUSTODY OF THE COMPANY, IT IS TO REMAIN UNAVAILABLE TO THE PUBLIC UPON THE DEMAND OF WANG LABORATORIES, INC.

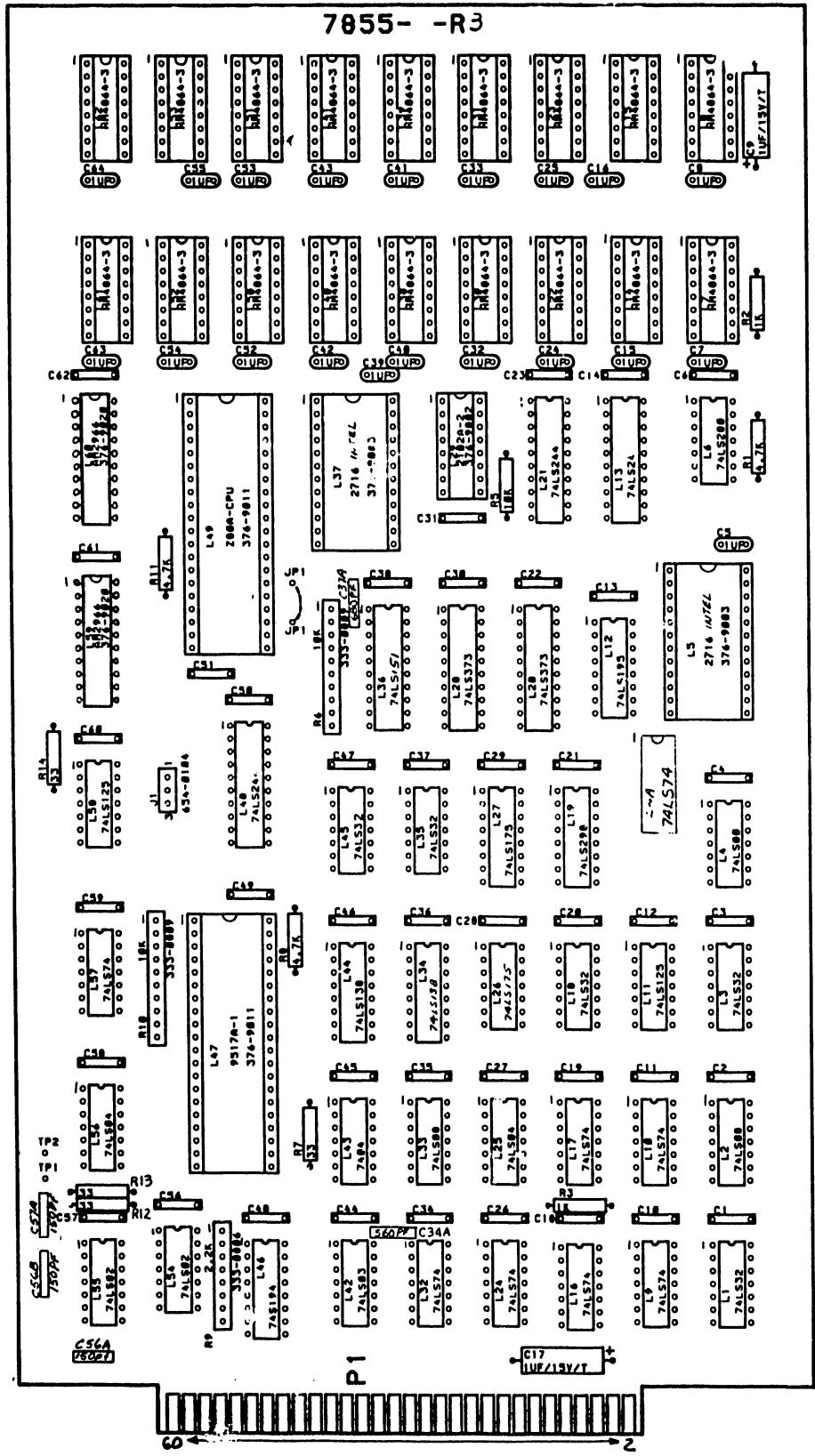


WANG WANG LABORATORIES, INC. LOWELL, MA U.S.A.		BY	DATE	APPROVED BY	DATE
MATERIAL	MODEL NO. 2228F P79A SEE ENGR. SPECIFICATIONS	OWN R. L. 28/82	3/2/82	E ENGR	
FINISH	TITLE TELECOMMUNICATION CONTROLLER	ENR		MFG ENGR	
	SEE CHART	D 7855	9		

THIS DRAWING AND THE DATA SHOWN THERE ON ARE THE CONFIDENTIAL PROPERTY OF AND ARE PROPRIETARY TO WANG LABORATORIES, INC. THE DRAWING AND THE DATA SHOWN THEREON MAY NOT BE MADE PUBLIC WITHOUT THE WRITTEN CONSENT OF WANG LABORATORIES, INC. IF FOR ANY REASON THIS DRAWING IS PERMITTED BY WANG TO LEAVE THE PHYSICAL POSSESSION OF THE COMPANY, IT IS HEREBY RETURNED TO THE DEMAND OF WANG LABORATORIES.

DO NOT SCALE

7855- -R3



WANG LABORATORIES, INC. LONDON, ENGLAND U.S.A.		BY DWN A Bentley	DATE 11/1/72	APPROVED BY	DATE
MATERIAL		MODEL NO. P17A 2228F	TITLE TELECOMMUNICATION CONTROLLER		
FINISH		SEE CHART	D	7855	8
SCALE		1:1	DRAWING NUMBER		

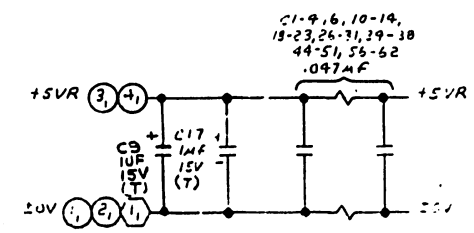
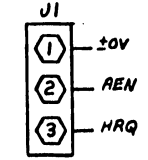
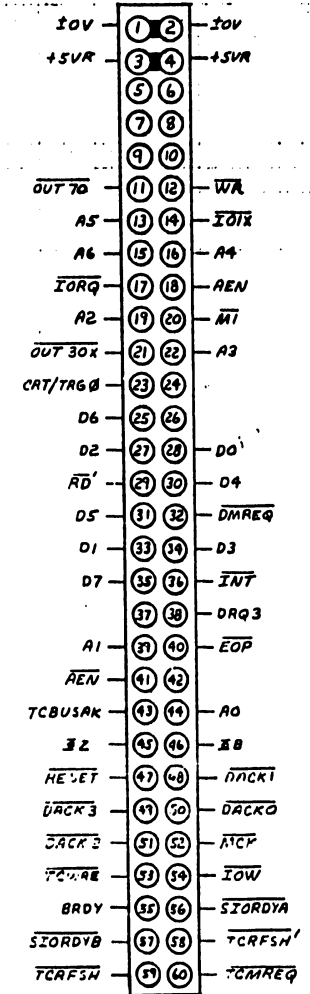
THIS DRAWING AND THE DATA SHOWN THEREON ARE THE CONFIDENTIAL PROPERTY OF WANG LABORATORIES, INC. THIS DRAWING AND THE DATA SHOWN THEREON MAY NOT BE MADE PUBLIC WITHOUT THE WRITTEN CONSENT OF WANG LABORATORIES, INC. IF FOR ANY REASON THIS DRAWING IS PERMITTED BY WANG TO LEAVE THE PHYSICAL CUSTODY OF THE COMPANY, IT IS RETURNABLE UPON THE DEMAND OF WANG LABORATORIES, INC.

I.C. LOCATION	TYPE	W/L PART NO.
L1,3,18,35,45	74LS32	376-0211
L2,33	74LS08	376-0153
L4	74LS00	376-0277
L5,37	2716	SEE CHART
L6	74LS280	376-0242
L7,14,15,22,23,30,31,38-41,50-53,61,62	HM4864-3	SEE CHART
L9,10,16,17,24,32,57,4A	74LS74	376-0155
L11,5B	74LS125	376-0486
L12	74LS195	376-0248
L13,21,4B	74LS244	376-0288
L19	74LS298	376-0232
L20,28	74LS373	376-0310
L25,56	74LS04	376-0180
L26,27	74LS175	376-0160
L29	2102A-2	SEE CHART
L34,44	74LS138	376-0294
L36	74LS151	376-0274
L40	74LS03	376-0224
L43	7407	376-0010
L46	74LS174	376-0221
L47	AM5517A-1	SEE CHART
L49	Z80A-CPU	SEE CHART
L54,55	74LS02	376-0208
L59,60	AM2966	SEE CHART
L5,37	24 PIN SKT	376-7003
L7,8,14,15,22,23,29-31,38-41,50-53,61,62	16 PIN SKT	376-7002
L9,149	40 PIN SKT	376-7011

COMPONENT	TYPE	W/L PART NO.	MNEMONICS	COORD
R1,8,11	4.7K 1/4W 5%	330-3098	AO,A1	1B7
R2,3	1K 1/4W 5%	330-3011	A2,A3	1D1
R5	10K 1/4W 5%	330-4011	A4-A6	1B7
R6,10	10K SIP	333-0809	AEN	1D1
R7,12,13,14	33Ω 1/4W 5%	330-1034	AEN	1C1
R9	2.2K SIP	333-0806	BRDY	1C11
C34A	560PF 50V	370-1562	CAT/TRGB	1E1
C1-4,6,10-14,18-23,26-31,34-38,44-51,56-62	.047µF 50V	300-1966	DACK0	1A7
C5,7,8,15,16,24,25,32,33,39-43,52-55,63,64	1µF 50V	300-1931	DACK1-DACK3	1B1
C9,17	1µF 15V (T)	300-4056	DO-D7	1G11
C56A,56B,57A	150µF 50V	300-1150	DMREQ	1A7
C37A	680PF 50V	300-1682	DRQ3	1D11
U1	3POS PIN HDR	654-0104	EOP	1B1
			HRQ	1A5
			IB	1D11
			IB	1F11
			INT	1F11
			IOIX	1C11
			IOW	1AB
			IORQ	1E1
			MT	1E1
			MCR	3C11
			OUT30X	1B7
			JTT70	3B1
			RESET	1B11
			RD	1E1
			SIORDYA	1C11
			SIORDYB	1B11
			TCBUSAK	1A9
			TCMREQ	1G1
			TCRFSH	1A9
			TCRFSH	2C6
			TCWRE	3A11
			JTR	1A8

I.C. TYPE	LOCATION	SPARES
7404	L43	1
74LS74	L4A	1

210 = 209 + 377 OR 378							
210	209	L37	L7,8,14,15,22,23,30,31,38-41,50-53,61,62	L29	L47	L49	L5
7855A	7855	378-5145	377-0465	377-0343	377-0388	377-0368	378-5137

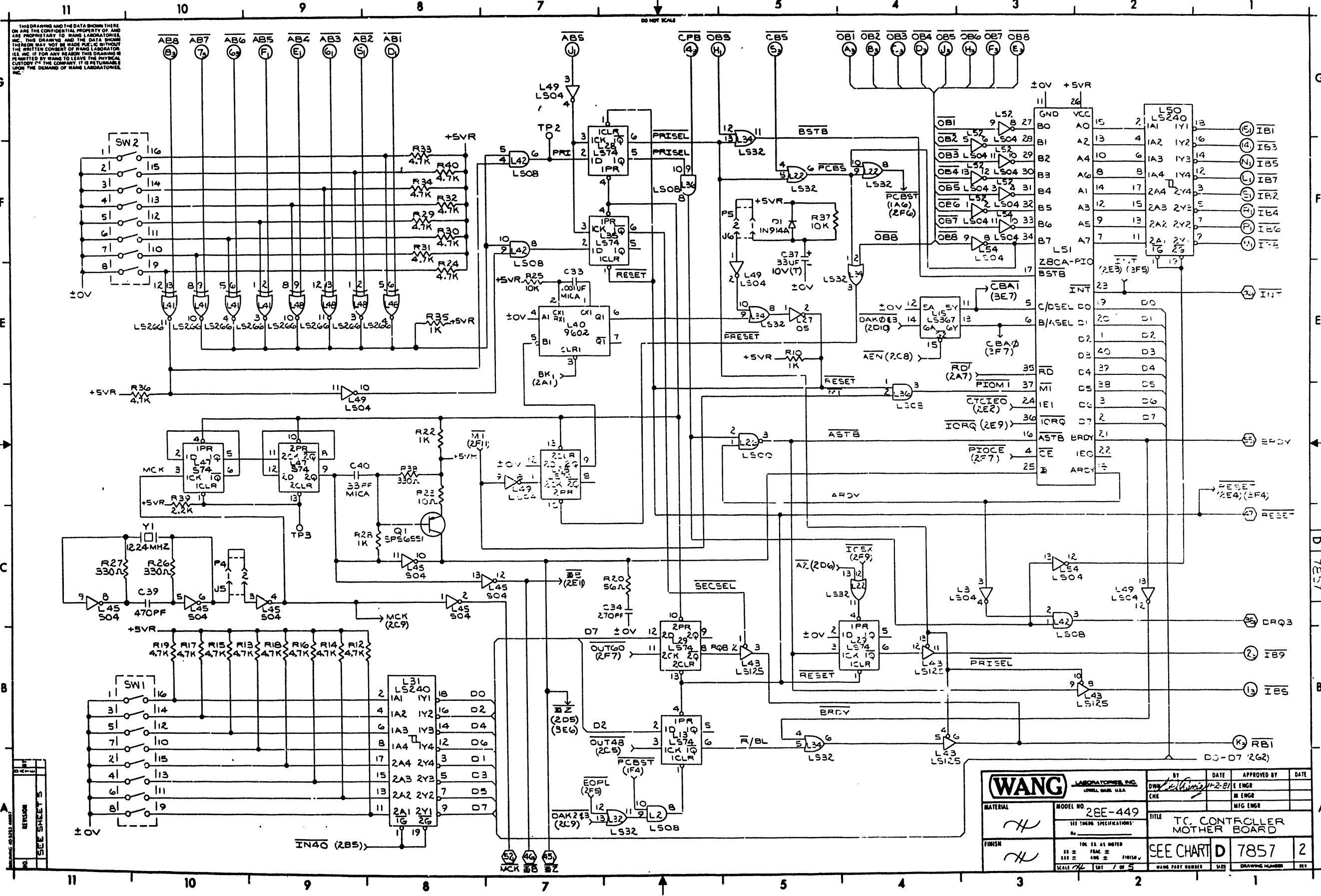


REV	BY	DATE	DESCRIPTION
1	JEP	12-22	ORIGINAL
2	JEP	1-82	REVISED PER ECO # 2288
3	JEP	6-82	REVISED PER ECO # 2303
4	JEP	8-82	REVISED PER ECO # 2303
5	JEP	12-22	REVISED PER ECO # 2303
6	JEP	2-83	REVISED PER ECO # 2303
7	JEP	2-83	REVISED PER ECO # 2303
8	JEP	2-83	REVISED PER ECO # 2303
9	JEP	2-83	REVISED PER ECO # 2303
10	JEP	2-83	REVISED PER ECO # 2303

NOTE:
1. ALL RES. ARE 1/4W 5% UNLESS OTHERWISE SPECIFIED.

WANG WANG LABORATORIES, INC. 1000 WASHINGTON BLVD. BOSTON, MASSACHUSETTS 02114		BY D.W. A. BULLOCK	DATE 2-12-82	APPROVED BY E. ENGR. J. STEINBERG	DATE 2-12-82
MATERIAL	MODEL NO. 2228F	TITLE TELECOMMUNICATION CONTROLLER			
FINISH	REV. NO. 1	SCALE	SIZE D	QUANTITY 8	DATE 8

E-REV
1

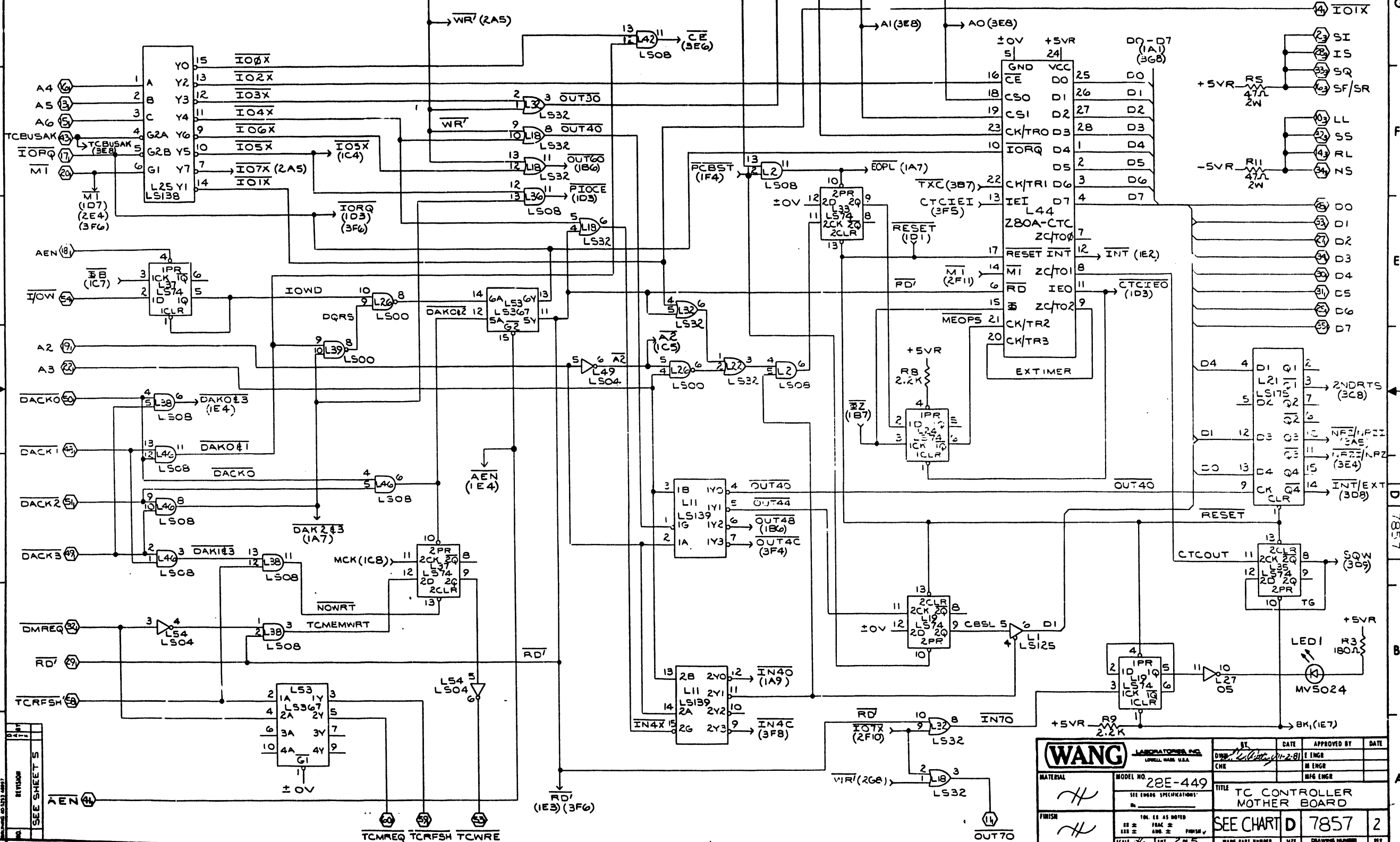


THIS DRAWING AND THE DATA SHOWN THERE ON ARE THE CONFIDENTIAL PROPERTY OF AND ARE PROPRIETARY TO WANG LABORATORIES, INC. THIS DRAWING AND THE DATA SHOWN THEREON MAY NOT BE MADE PUBLIC WITHOUT THE WRITTEN CONSENT OF WANG LABORATORIES, INC. IF FOR ANY REASON THIS DRAWING IS PERMITTED BY WANG TO LEAVE THE PHYSICAL CUSTODY OF THE COMPANY, IT IS RETURNABLE UPON THE DEMAND OF WANG LABORATORIES, INC.

REVISION	DATE	BY	APPROVED BY	DATE

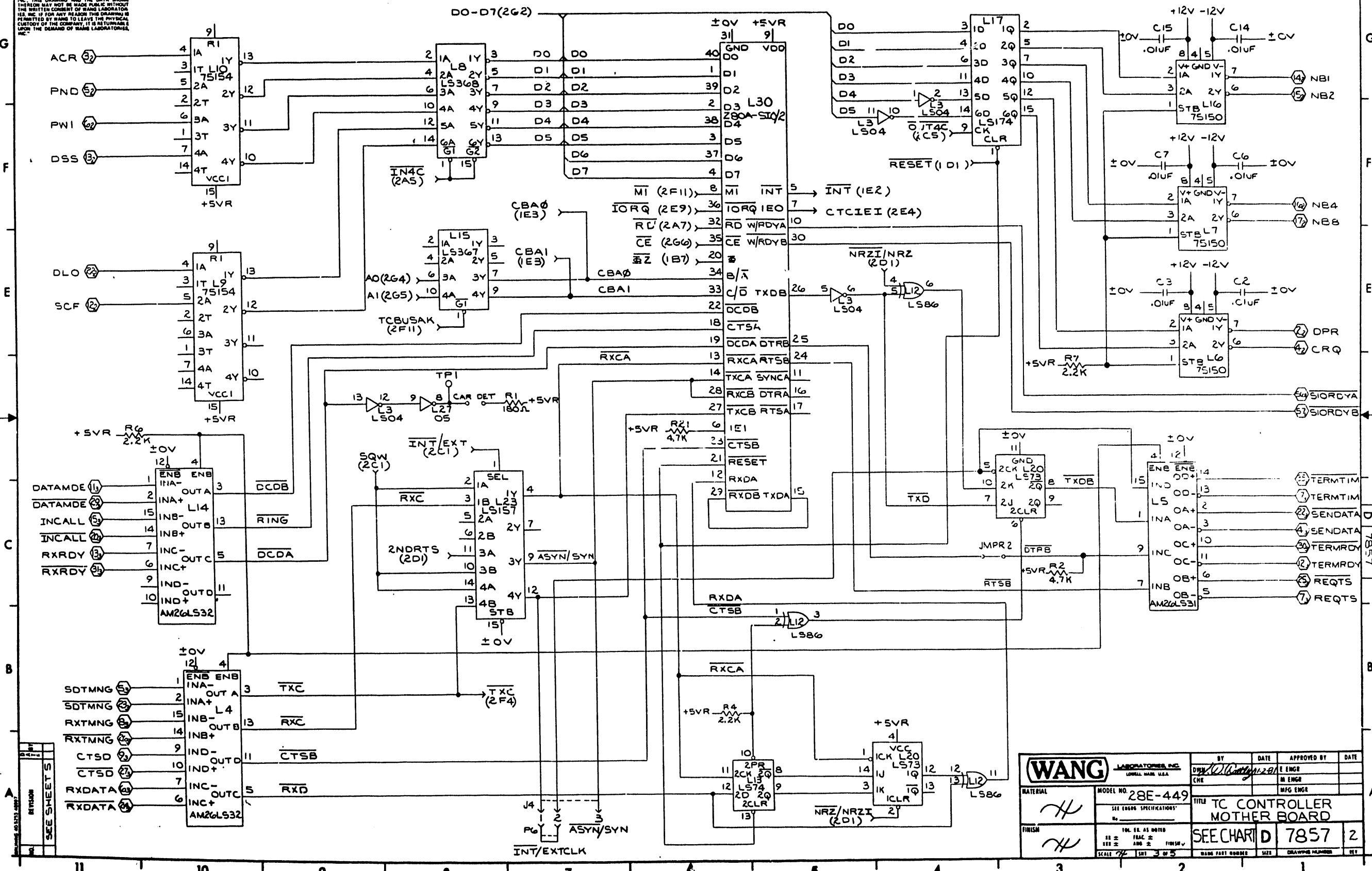
WANG LABORATORIES, INC. LIVELY BARR, U.S.A.		BY	DATE	APPROVED BY	DATE
MATERIAL	MODEL NO. 28E-449	DWA	11-2-81	E ENGR	
	SEE TRANS SPECIFICATIONS	CHE		M ENGR	
				MFG ENGR	
FINISH	10K 1% AS NOTED	TITLE		TC CONTROLLER MOTHER BOARD	
	11 ± 1% 1% AC ± 1%	SEE CHART D		7857	2
	SCALE 1/8" = 1" 1ST / OF 5	DRAWN PART NUMBER		528	DRAWING NUMBER

THIS DRAWING AND THE DATA SHOWN THEREON ARE THE CONFIDENTIAL PROPERTY OF AND ARE PROPRIETARY TO WANG LABORATORIES, INC. THIS DRAWING AND THE DATA SHOWN THEREON MAY NOT BE MADE PUBLIC WITHOUT THE WRITTEN CONSENT OF WANG LABORATORIES, INC. IF FOR ANY REASON THIS DRAWING IS PERMITTED BY WANG TO LEAVE THE PHYSICAL CUSTODY OF THE COMPANY, IT IS RETURNABLE UPON THE DEMAND OF WANG LABORATORIES, INC.



WANG LABORATORIES, INC. LITTLE FALLS, N.J. U.S.A.		BY DWM	DATE 10-2-81	APPROVED BY E ENGR	DATE
MATERIAL	MODEL NO. 28E-449	CHK		M ENGR	
SEE ENG'G SPECIFICATIONS		TITLE TC CONTROLLER MOTHER BOARD		MFG ENGR	
FINISH		SEE CHART D 7857			
TOL. AS NOTED		WANG PART NUMBER		SIZE	DRAWING NUMBER
FRAC. AS NOTED		7857		2	
DATE 2/85		DATE 2/85		DATE	

THIS DRAWING AND THE DATA SHOWN THEREON ARE THE CONFIDENTIAL PROPERTY OF WANG AND ARE PROPRIETARY TO WANG LABORATORIES, INC. THIS DRAWING AND THE DATA SHOWN THEREON MAY NOT BE MADE PUBLIC WITHOUT THE WRITTEN CONSENT OF WANG LABORATORIES, INC. IF FOR ANY REASON THIS DRAWING IS PERMITTED BY WANG TO LEAVE THE PHYSICAL CUSTODY OF THE COMPANY, IT IS RETURNED UPON THE DEMAND OF WANG LABORATORIES, INC.



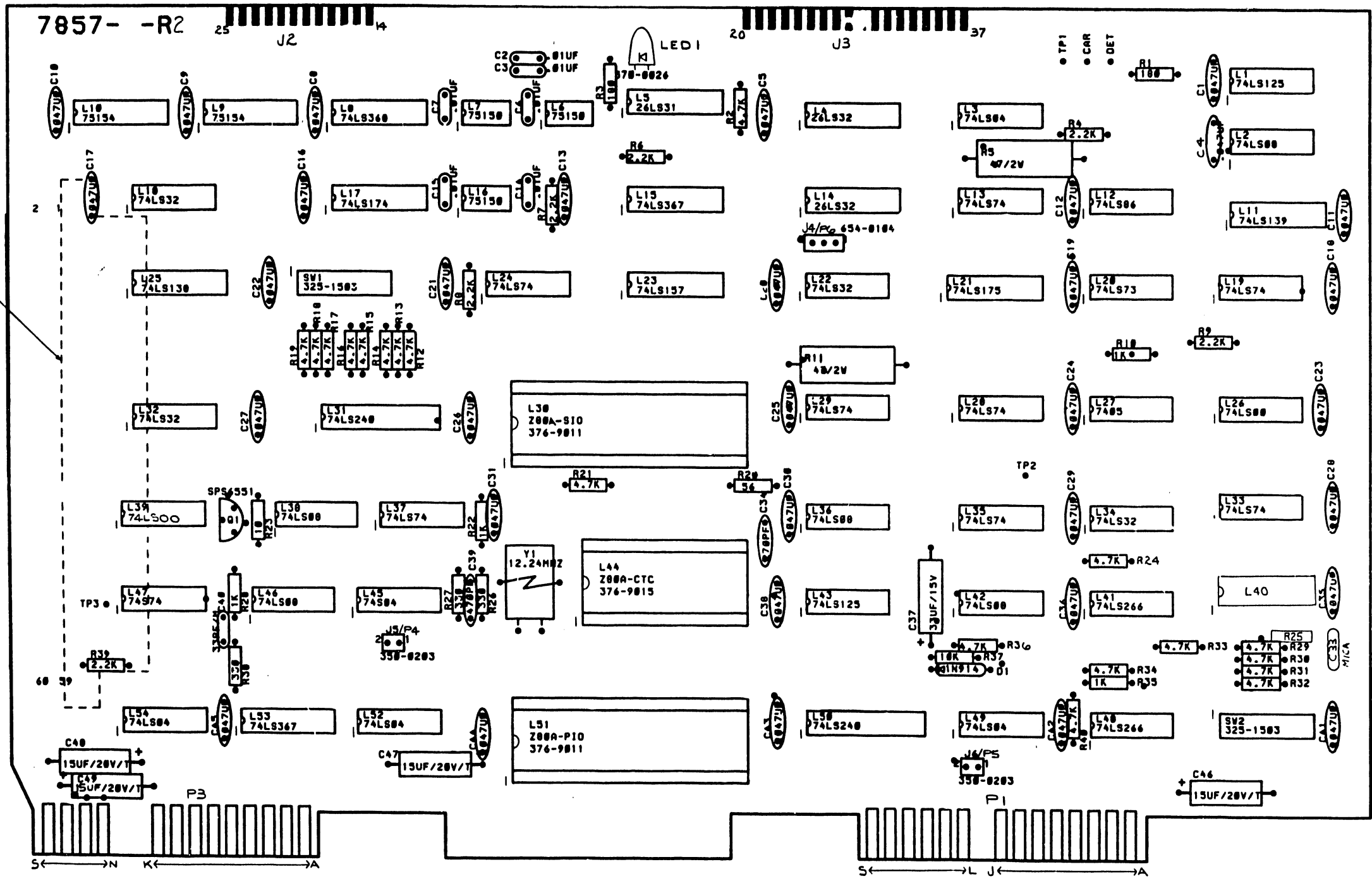
REVISION	DATE

SEE SHEETS

WANG LABORATORIES, INC. LOWELL, MASS. U.S.A.		BY D. J. [Signature]	DATE 2/28/77	APPROVED BY E. ENGR.	DATE
MATERIAL	MODEL NO. 28E-449	TITLE TC CONTROLLER MOTHER BOARD			
FINISH	SEE ENGR. SPECIFICATIONS	SEE CHART D 7857 2			
100% IN. AS NOTED		SCALE 7/8" = 1" (1 OF 5)			
100% TESTED		DRAWING NUMBER			

THIS DRAWING AND THE DATA SHOWN THEREON ARE THE CONFIDENTIAL PROPERTY OF WANG LABORATORIES, INC. AND PROPRIETARY TO WANG LABORATORIES, INC. THE DRAWING AND THE DATA SHOWN THEREON MAY NOT BE MADE PUBLIC WITHOUT THE WRITTEN CONSENT OF WANG LABORATORIES, INC. IF FOR ANY REASON THIS DRAWING IS PERMITTED BY WANG TO LEAVE THE PHYSICAL CUSTODY OF THE COMPANY, IT IS RETURNABLE UPON THE DEMAND OF WANG LABORATORIES, INC.

DO NOT SCALE



SEE SHEET 5

WANG LABORATORIES, INC. LIMEX, MASS. U.S.A.		BY D. J. [Signature]	DATE 2-8-78	APPROVED BY E. ENGR	DATE
MATERIAL H	MODEL NO. 28E-449 SEE ENGR SPECIFICATIONS	CHK [Signature]		M. ENGR	
FINISH H	TOL. IS AS NOTED ± 0.005 ± 0.0025 ± 0.0015 SCALE 7/8"	TITLE TC CONTROLLER MOTHER BOARD		MPS ENGR	
		SEE CHART	D 7857		2
		SCALE 7/8"	DATE PART NUMBER	SIZE	DRAWING NUMBER

THIS DRAWING AND THE DATA SHOWN THERE ON ARE THE CONFIDENTIAL PROPERTY OF, AND ARE PROPRIETARY TO, WANG LABORATORIES, INC. THIS DRAWING AND THE DATA SHOWN THEREON MAY NOT BE MADE PUBLIC WITHOUT THE WRITTEN CONSENT OF WANG LABORATORIES, INC. IF FOR ANY REASON THIS DRAWING IS FURNISHED BY WANG TO AN INDIVIDUAL OR ENTITY OTHER THAN THE PHYSICAL CUSTODY OF THE COMPANY IT IS RETURNABLE UPON THE DEMAND OF WANG LABORATORIES, INC.

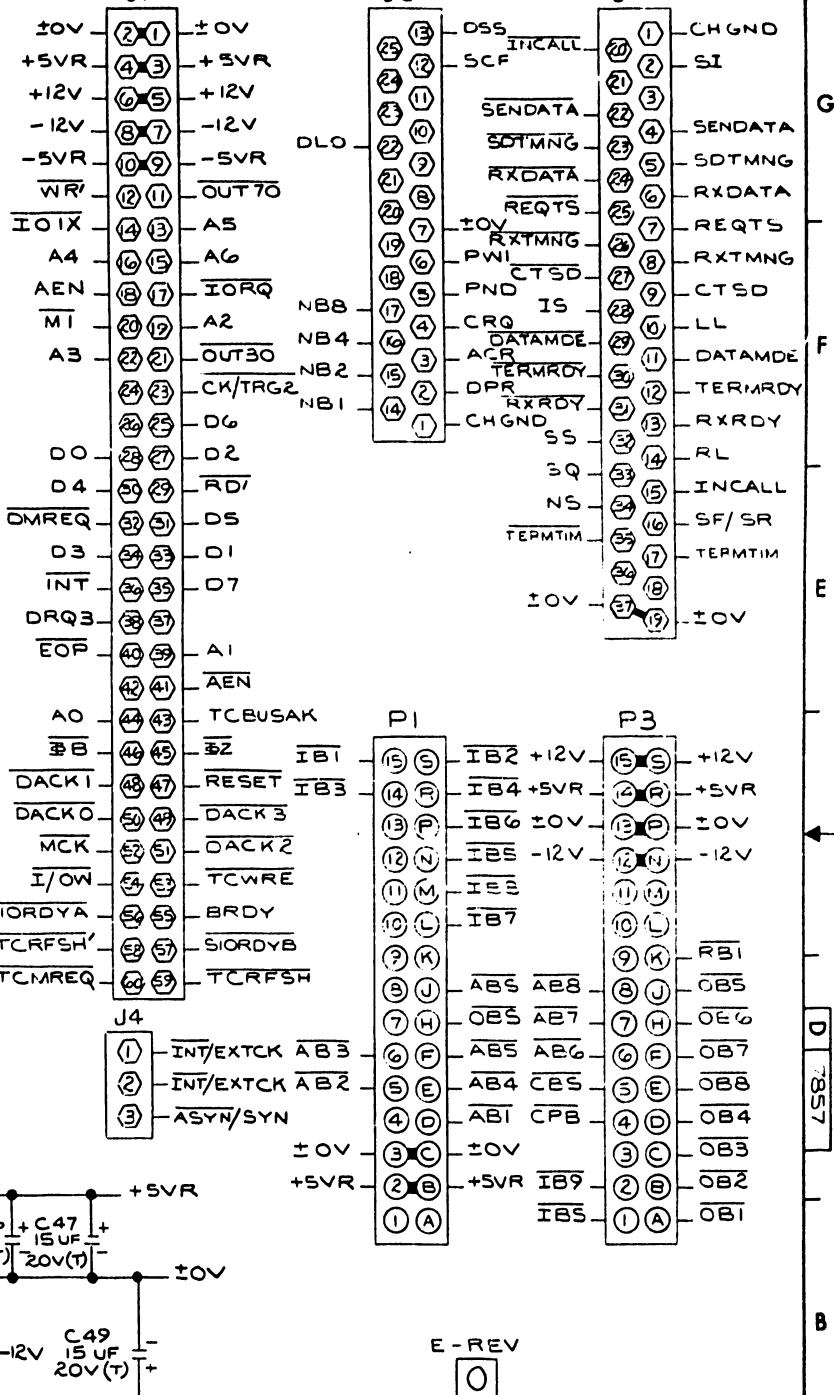
COMPONENT	TYPE	W.L. PART NO.
R1,3	180Ω 1/4W 10%	330-2018
R2,12-19,21,24,29-34,36,40	4.7K 1/4W 10%	330-3047
R4,6-9,39	2.2K 1/4W 10%	330-3022
R5,11	47Ω 2W 10%	337-1047
R10,22,28,35	1K 1/4W 10%	330-3010
R20	56Ω 1/4W 10%	330-1056
R23	10Ω 1/4W 10%	330-1010
R25,37	10K 1/4W 10%	330-4010
R26,27,38	330Ω 1/4W 10%	330-2033
C1,4,5,8-13,16-31,35,36,38,41-45	.047UF 50V	37-1966
C2,3,6,7,14,15	.01UF 25V	300-1903
C33	.001UF 100V(MICA)	300-5006
C39	470PF 500V	370-1470
C37	33UF 10V(T)	300-4024
C40	33PF 500V(MICA)	300-5016
C46-49	15UF 20V(T)	300-4022
C34	270PF 500V	300-1270
LED1	MV5024	370-0026
DI	IN914A	380-1012
Y1	12.24 MHZ	321-0019
Q1	SPS-6551	375-1050
J1	60 PIN CONN	350-0051
J2	25 PIN CONN	350-1051
J3	37 PIN CONN	350-1066
J4	3 POS HEADER	654-0104
J5,6	2 POS HEADER	350-0203
P4,5,6	2 POS SHUNT	350-4506
SW1,2	SPST 8 POS	325-1503

I.C. LOCATION	TYPE	W.L. PART NO.
L1,43	74LS125	376-0486
L2,36,38,42,46	74LS08	376-0153
L3,49,52,54	74LS04	376-0180
L4,14	AM26LS32	376-0471
L5	AM26LS31	376-0470
L6,7,16	75150	376-0076
L8	74LS368	376-0193
L9,10	75154	376-0077
L11	74LS139	376-0226
L12	74LS86	376-0231
L13,19,24,28,29,33,35,37	74LS74	376-0155
L15,53	74LS367	376-0192
L17	74LS174	376-0159
L18,22,32,34	74LS32	376-0211
L20	74LS73	376-0304
L21	74LS175	376-0160
L23	74LS157	376-0216
L25	74LS138	376-0294
L26,39	74LS00	376-0207
L27	7405	376-0029
L30	Z80A-S10/2	SEE CHART
L31,50	74LS240	376-0297
L40	9602	376-0104
L41,48	74LS266	376-0148
L44	Z80A-CTC	SEE CHART
L47	74S74	376-0202
L51	Z80A-PIO	SEE CHART
L45	74S04	376-0197
L30,51	40 PIN SOCKET	376-9011
L44	28 PIN SOCKET	376-9015

TYPE	I.C. LOCATION	SPARE
74LS00	L26	1
74LS04	L3	1
	L54	1
7405	L27	3
74LS08	L2	1
	L36	1
	L38	1
74LS74	L24	1
	L33	1
74LS00	L39	3
74LS86	L12	1
74LS125	L1	3
9602	L40	1

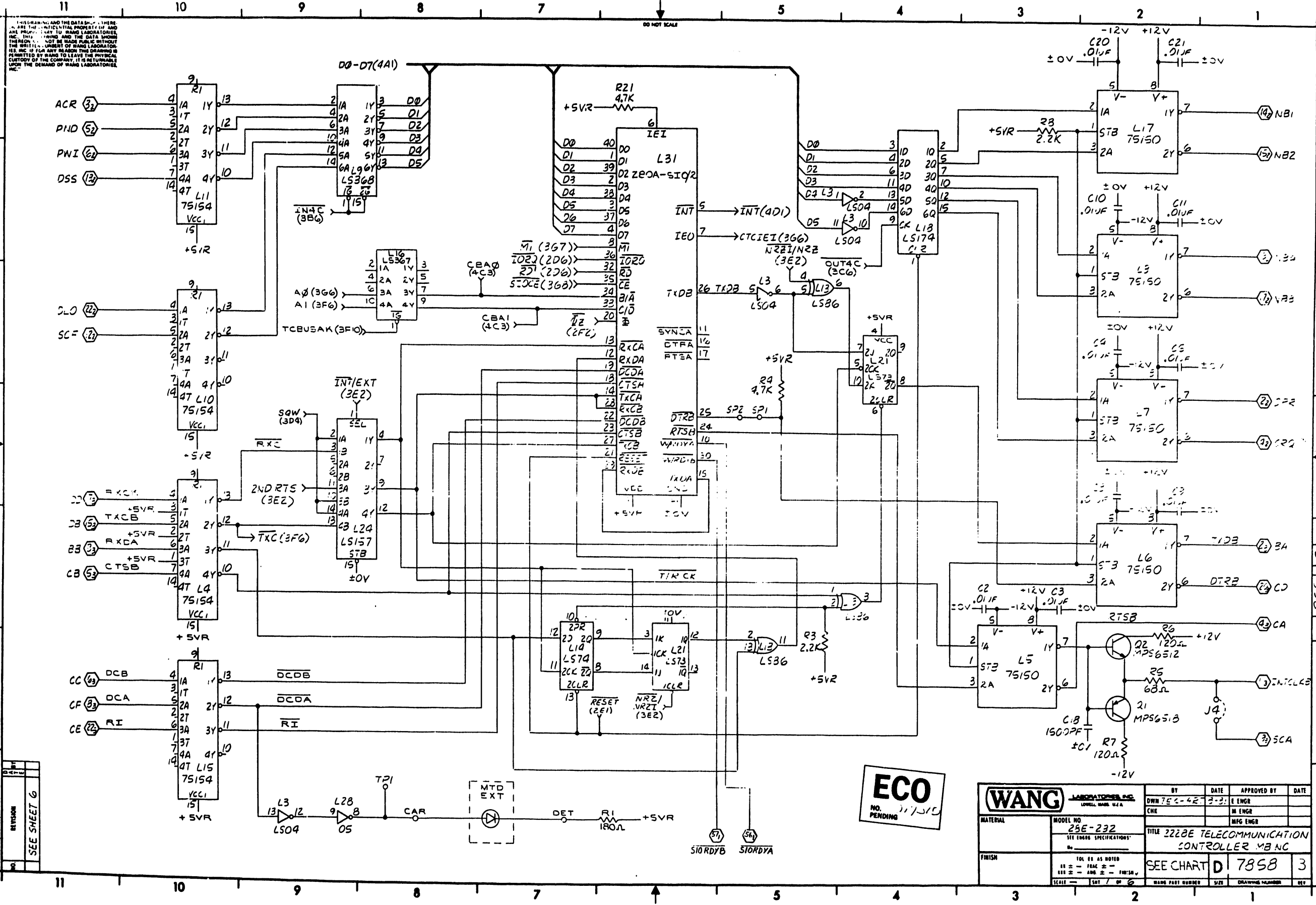
210 = 209 + 377 OR 378				
210	209	L30	L44	L51
7857-A	7857	377-0393	377-0371	377-0373

MNEMONICS	COORD
AB1-AB8	1G9
ABS	1G7
ACR	3G11
AEN	2E11
AEN	2A11
ASYN/SYN	3A7
AO	2G4
A1	2G5
A2,A3	2D11
A4-A6	2F11
BRDY	1D1
CBS	1G5
CK/TRG0	2G5
CPB	1G6
CRQ	3E1
CTSD	3A11
CTSD	3A11
DACK0	2D11
DACK1	2D11
DACK2	2C11
DACK3	2C11
DATAMDE	3C11
DATAMDE	3C11
DATAMDE	3C11
DATAMDE	3C11
DPR	3E1
DRQ3	1C1
DSS	3F11
DO-D7	2E1
EOP	2G6
IB	1A7
IB1-IB8	1F1
IB9	1B1
IBS	1B1
INCALL	3C11
INCALL	3C11
INT	1E1
INT/EXTCK	3A7
IOIX	2G1
I/OW	2E11
IORQ	2F11
IBZ	1A7
IS	2G1
MCK	1A7
MI	2F11
LL	2F1
NB1,NB2	3G1
NB4,NB8	3F1
NS	2F1



REV	DATE	BY	REASON
1	11-2-81	WJ	DESIGN
2	12-7-81	WJ	REVISED PER ECO#21236
3	12-20-81	WJ	REVISED PER ECO#22245

WANG LABORATORIES, INC. LOWELL, MASS. U.S.A.		BY: <i>[Signature]</i>	DATE: 11-21-81	APPROVED BY: <i>[Signature]</i>	DATE: 11-21-81
MATERIAL: <i>[Signature]</i>	MODEL NO. 28E-449	TITLE: TC CONTROLLER MOTHER BOARD			
FINISH: <i>[Signature]</i>	FOR: 11 AS NOTED	SEE CHART D	7857	2	



DESIGN AND THE DATA THEREIN ARE THE CONFIDENTIAL PROPERTY OF WANG LABORATORIES, INC. AND THE DATA SHOULD NOT BE MADE PUBLIC WITHOUT THE WRITTEN CONSENT OF WANG LABORATORIES, INC. IF FOR ANY REASON THIS DRAWING IS PERMITTED BY WANG TO LEAVE THE PHYSICAL CUSTODY OF THE COMPANY, IT IS RETURNABLE UPON THE DEMAND OF WANG LABORATORIES, INC.

DO NOT SCALE

REV	DATE	BY

REVISION
SEE SHEET 6

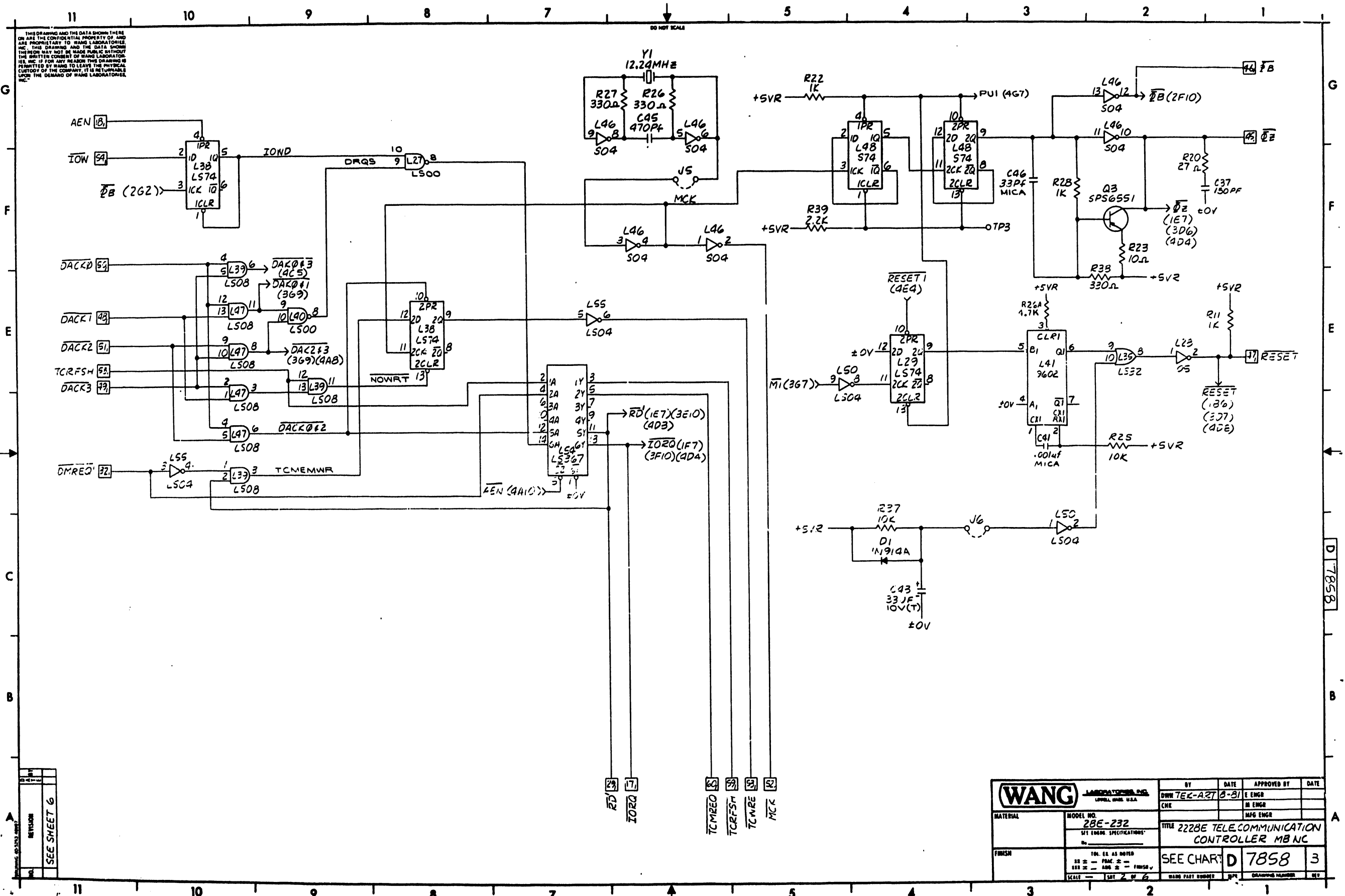
ECO
NO. PENDING
11/15

WANG LABORATORIES, INC. LOWELL, MASS. U.S.A.		BY	DATE	APPROVED BY	DATE
		DWN 756-42	2-3	E ENGR	
MODEL NO. 22E-232 SEE ENGINE SPECIFICATIONS		TITLE 2228E TELECOMMUNICATION CONTROLLER MB NC			
FINISH				MFG ENGR	
SCALE = 1:1		TOL AS NOTED			

D 7858

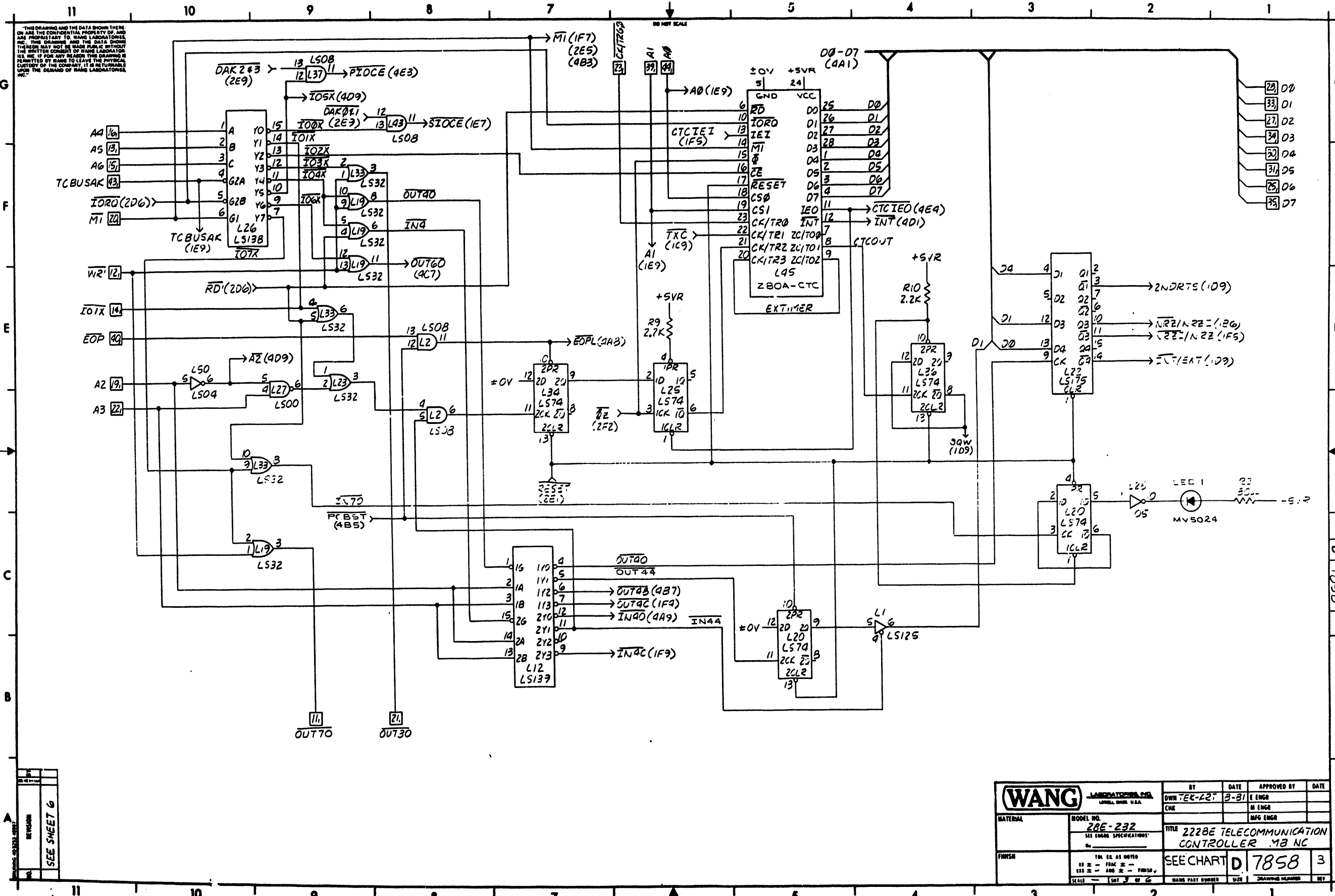
A

THIS DRAWING AND THE DATA SHOWN THERE ON ARE THE CONFIDENTIAL PROPERTY OF AND ARE PROPRIETARY TO WANG LABORATORIES, INC. THIS DRAWING AND THE DATA SHOWN THEREON MAY NOT BE MADE PUBLIC WITHOUT THE WRITTEN CONSENT OF WANG LABORATORIES, INC. IF FOR ANY REASON THIS DRAWING IS FURNISHED BY WANG TO LEAVE THE PHYSICAL CUSTODY OF THE COMPANY, IT IS RETURNABLE UPON THE DEMAND OF WANG LABORATORIES, INC.



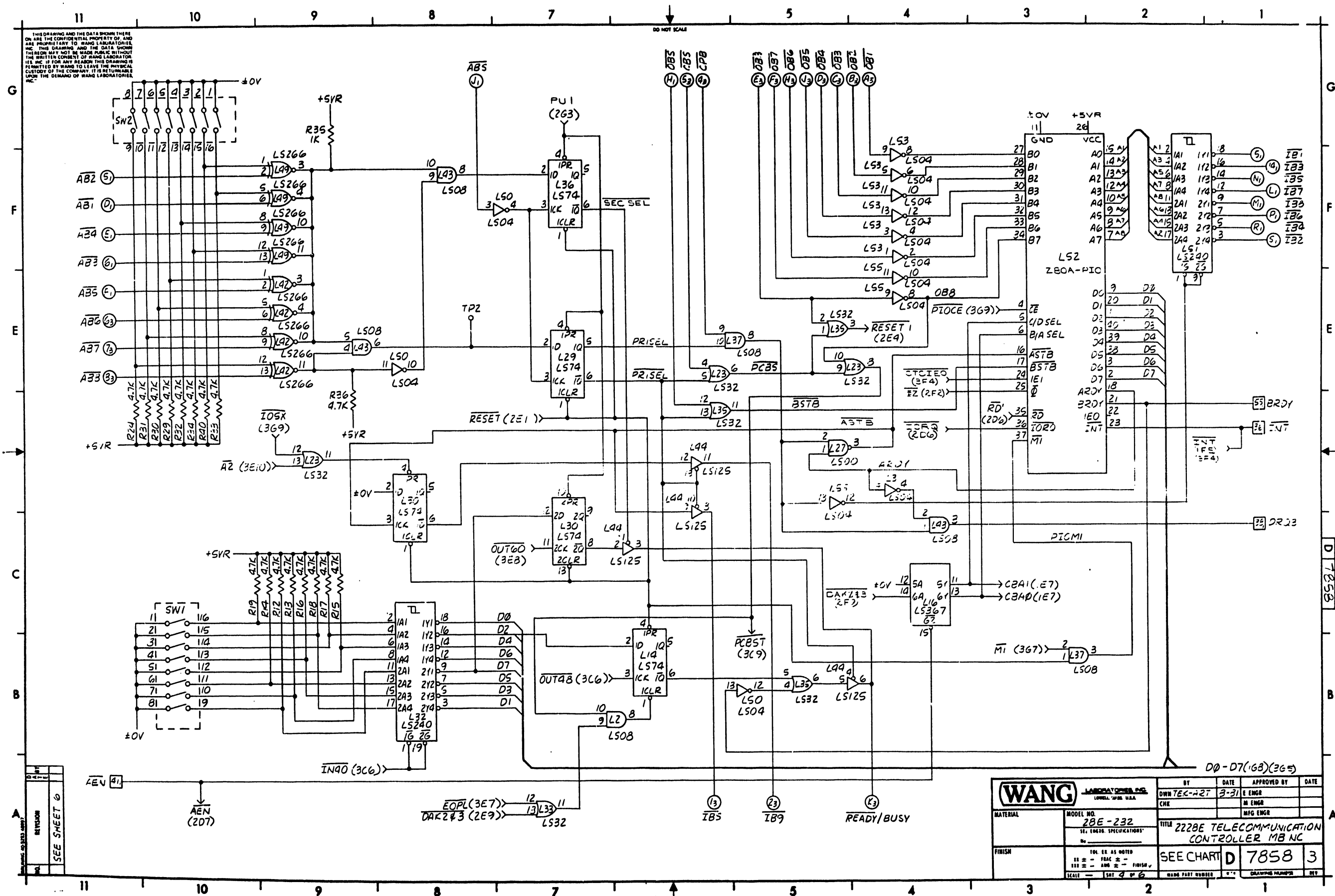
SEE SHEET 6

WANG LABORATORIES, INC. LONDON, MASS. U.S.A.		BY DWH TEK-ART	DATE 8-81	APPROVED BY E ENGR	DATE
MATERIAL	MODEL NO. 22E-232	CHE		MFG ENGR	
TITLE 2228E TELECOMMUNICATION CONTROLLER MBNC		SEE CHART	D 7858	3	
FINISH 100% AS SHOWN 110% - 110% 110% - 110% SCALE - 1:1		DRAWN PART NUMBER		DATE	REV



WANG LABORATORIES, INC. LITTLE ROCK, ARK. U.S.A.		BY DWN TEE-227 CHK	DATE 5-31	APPROVED BY E ENGR M ENGR MFG ENGR	DATE
MATERIAL	MODEL NO. 2228E-232 SEE ENG'G SPECIFICATIONS	TITLE 2228E TELECOMMUNICATION CONTROLLER MB NC			
FINISH	FINISH FINISH	SEE CHART D 7858	3		
SCALE 1/8" = 1"		DRWG PART NUMBER	SIZE	DRAWING NUMBER	REV

THIS DRAWING AND THE DATA SHOWN THERE ON ARE THE CONFIDENTIAL PROPERTY OF, AND ARE PROPRIETARY TO WANG LABORATORIES, INC. THIS DRAWING AND THE DATA SHOWN THEREON MAY NOT BE MADE PUBLIC WITHOUT THE WRITTEN CONSENT OF WANG LABORATORIES, INC. IN NO EVENT SHALL THIS DRAWING BE REPRODUCED OR FOR ANY REASON THIS DRAWING IS LOANED TO ANY OTHER PARTY, IT IS RETURNABLE UPON THE DEMAND OF WANG LABORATORIES, INC.



REV	DESCRIPTION
1	SEE SHEET 6

WANG LABORATORIES, INC. LOWELL, MASS. U.S.A.		BY OWN TEC-221	DATE 3-31	APPROVED BY E ENGR	DATE
MODEL NO. 28E-232		TITLE 2228E TELECOMMUNICATION CONTROLLER MB NC			
SER. ENGR. SPECIFICATIONS		MFG ENGR			
FINISH		SEE CHART D 7858 3			
SCALE 1:1		WANG PART NUMBER		DRAWING NUMBER	

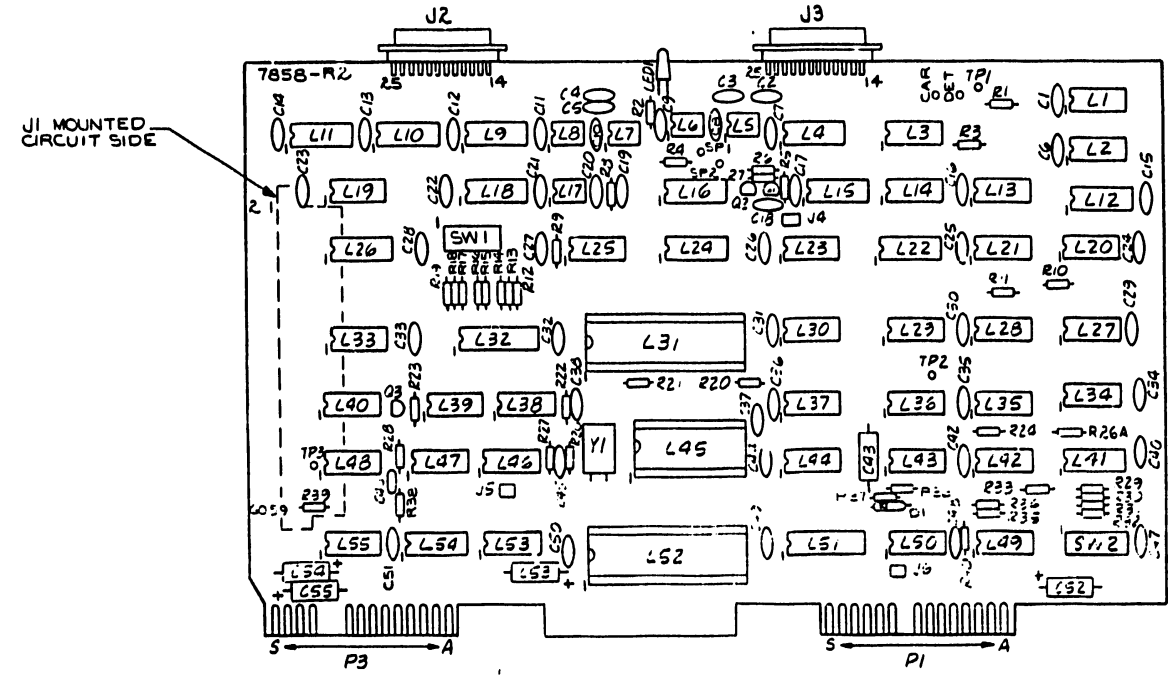
11 10 9 8 7 6 5 4 3 2 1

THIS DRAWING AND THE DATA SHOWN THERE ON ARE THE CONFIDENTIAL PROPERTY OF AND ARE PROPRIETARY TO WANG LABORATORIES, INC. THIS DRAWING AND THE DATA SHOWN THEREON MAY NOT BE MADE PUBLIC WITHOUT THE WRITTEN CONSENT OF WANG LABORATORIES, INC. IF FOR ANY REASON THIS DRAWING IS PERMITTED BY WANG TO LEAVE THE PHYSICAL CUSTODY OF THE COMPANY, IT IS HEREBY UNDERSTOOD THAT THE OBLIGATION OF WANG LABORATORIES, INC. SHALL REMAIN IN FULL FORCE AND EFFECT.

DO NOT SCALE

G
F
E
C
B
A

G
F
E
D
C
B
A



REV	BY	DATE

REVISION
SEE SHEET 6

WANG LABORATORIES, INC. LOCAL MADE U.S.A.		BY DWN TEK-ART	DATE 8-81	APPROVED BY E ENGR	DATE
MATERIAL	MODEL NO. 28E-232 SEE ENGR SPECIFICATIONS	CHK		MFG ENGR	
FINISH	TOL. SEE AS NOTED SEE ENGR SPECIFICATIONS	SCALE 1:1	TITLE 2228E TELECOMMUNICATION CONTROLLER MB NC	SEECHART D 7858	3
			WANG PART NUMBER	SIZE	DRAWING NUMBER

11 10 9 8 7 6 5 4 3 2 1

THIS DRAWING AND THE DATA SHOWN THERE ON ARE THE CONFIDENTIAL PROPERTY OF, AND ARE PROPRIETARY TO, WANG LABORATORIES, INC. THE DRAWING AND THE DATA SHOWN THEREON MAY NOT BE MADE PUBLIC WITHOUT THE WRITTEN CONSENT OF WANG LABORATORIES, INC. IF FOR ANY REASON THIS DRAWING IS PERMITTED BY WANG TO LEAVE THE PHYSICAL CUSTODY OF THE COMPANY, IT IS RETURNABLE UPON THE DEMAND OF WANG LABORATORIES, INC.

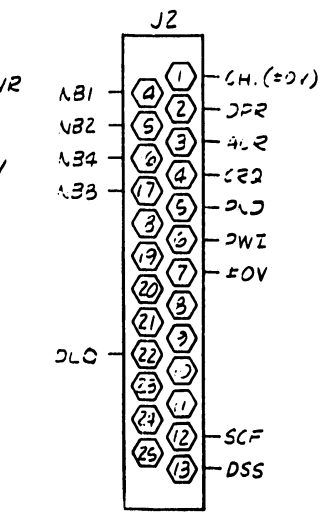
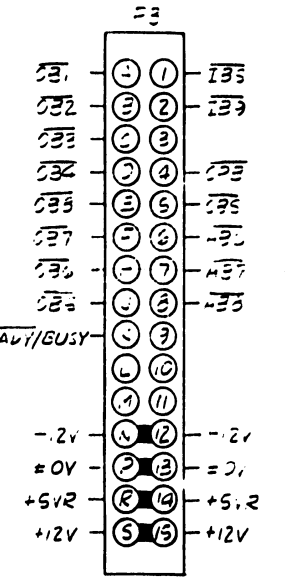
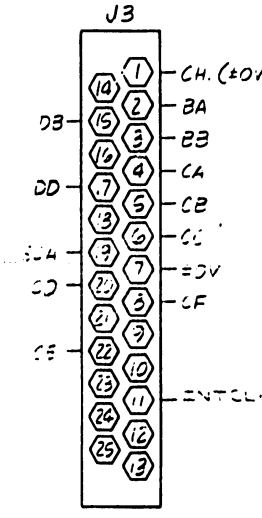
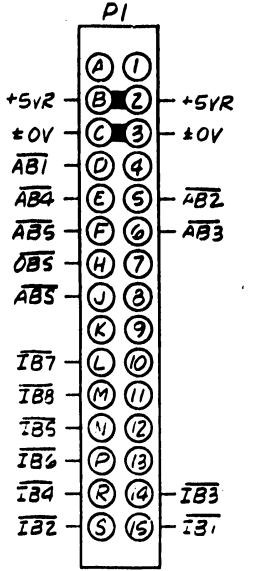
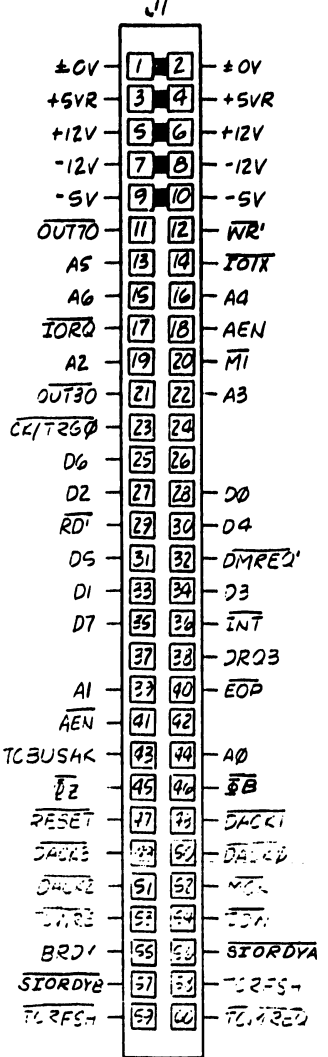
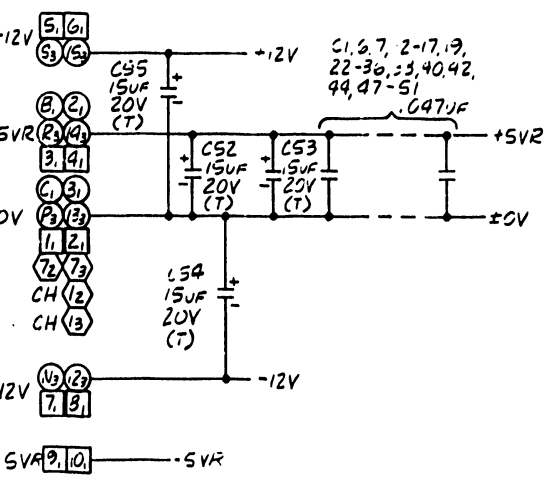
I.C. LOCATION	TYPE	W.L. PART NO.
L1,44	74LS125	376-0186
L2,37,39,43,47	74LS08	376-0153
L3,50,53,55	74LS04	376-0187
L4,10,11,15	75154	376-0077
L5-8,17	75150	376-0076
L9	74LS368	376-0193
L12	74LS139	376-0226
L13	74LS86	376-0231
L17,20,25,29,30,34,35,39	74LS74	376-0155
L16,54	74LS367	376-0192
L18	74LS174	376-0159
L19,23,33,35	74LS32	376-0211
L21	74LS73	376-0304
L22	74LS175	376-0160
L24	74LS157	376-0216
L26	74LS138	376-0294
L27,40	74LS00	376-0207
L23	7405	376-0029
L31	Z80A-SIO	SEE CHART
L32,51	74LS240	376-0297
L41	9602	376-0104
L42,49	74LS266	376-0199
L45	Z80A-CTC	SEE CHART
L46	74LS04	376-0197
L48	74LS74	376-0202
L52	Z80A-PIO	SEE CHART
L41,52	SOCKET, 40 PIN	376-9011
L45	SOCKET, 28 PIN	376-9015

COMPONENT	TYPE	W.L. PART NO.
C1,6,7,12-17,19,22-36,38,40,42,44,47-51	.047UF 50V	300-1966
C2-5,8-11,20,21	.01UF 25V	300-1903
C18	1500PF 200V	300-1964
C37	150PF 100V	300-1150
C41	.001UF 3% MICA	300-5006
C43	33UF 10V(T)	300-4024
C45	470PF 500V	300-1470
C46	33PF 500V MICA	300-5016
C52-55	15UF 20V (T)	300-4022

COMPONENT	TYPE	W.L. PART NO.
R1,2	180Ω 1/4W 10%	330-2018
R3,8,9,10,39	2.2K 1/4W 10%	330-3022
R4,12-19,21,24,29-34,36,40,44	4.7K 1/4W 10%	330-3047
R5	68Ω 1/4W 10%	330-1068
R6,7	120Ω 1/4W 10%	330-2012
R11,22,23,35	1K 1/4W 10%	330-3010
R20	27Ω 1/4W 10%	330-1027
R23	10Ω 1/4W 10%	330-1010
R26,27,38	330Ω 1/4W 10%	330-2033
R37,25	10K 1/4W 10%	330-4010

COMPONENT	TYPE	W.L. PART NO.
Q1	MPS6513	375-1014
Q2	MPS6512	375-1012
Q3	MPS6551	375-1050
Y1	12.24 MHZ	321-0019
SW1,2	SPST, 8 PCS	325-1503
DI	IN914A	380-1012
LED1	MV5024, RED	370-0026
J1	CONN., 90° 60 PIN	350-0051
J2,3	CONN., 25 PIN	350-1051
J4,5,6	SHUNT	350-4906
J4,5,6	CONN. 2 PIN	350-0203

MNEMONIC	COORD	MNEMONIC	COORD
A0	366	DSS	1F11
A1	366	EOP	3E11
A2	3E11	I81-I88	4F11
A3	3D11	I89	4A5
A4	3G11	I85	4A4
A5	3F11	INT	4D1
A6	3F11	INTCLKB	1B1
ABI-AB8	4F11	IOR0	2A6
ABS	4G ²	IOW	2F11
ACR	1G11	MCR	2A5
AEN	2G11	MI	3F11
AEN	4A11	NB1	1G1
BA	1C1	NB2	1F1
BB	1C11	NB4	1F1
BRDY	4D1	NB8	1E1
CA	1C1	O81-O88	4E5
CB	1C11	O85	4G6
CBS	4G6	OUT30	3B8
CC	1B11	OUT70	3B9
CD	1C1	PE	2G1
CE	1B11	PND	1G11
CF	1B11	PWI	1F11
		READY/BUSY	4A4
CK1-TRG0	366	RD	2A6
CPB	4G6	RESET	2E1
CRQ	1D1	SCA	1B1
DD-D7	3G1	SCF	1E11
DAC20-DAC23	2E11	TCBUSAK	3F11
DD	1C11	TCRFSH	4E11
DD	1D11	TCRFSH	2A5
DD	1E11	TCRFSH	2A6
DD	2D11	TCRFSH	2A5
DD	1D1	NR	3E11
DD	2C1	STORDYA	1A5
DD	2G1	STORDYB	1A5
DD	3E11		
DD	3E11		

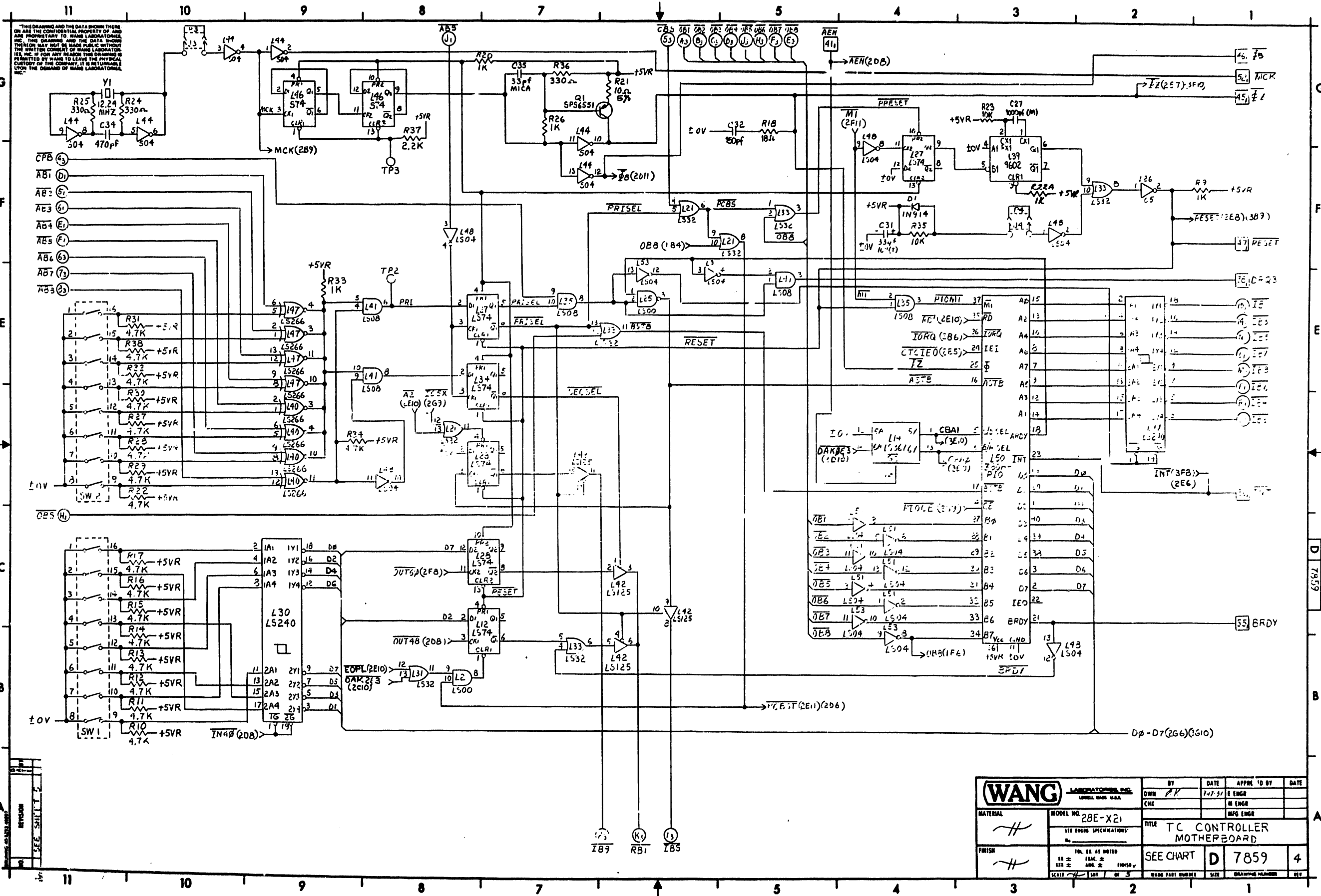


TYPE	I.C. LOCATION	SPARES
74LS00	L27	1
74LS00	L40	3
74LS04	L3	1
74LS04	L55	1
7405	L28	3
74LS08	L2	1
74LS08	L37	1
74LS08	L39	1
74LS74	L25	1
74LS74	L34	1
74LS86	L13	1
74LS125	L1	3
9602	L41	1

210 = 209 + 377 OR 378				
210	209	L31	L45	L52
785B-A	785B	377-0393	377-0371	377-0373

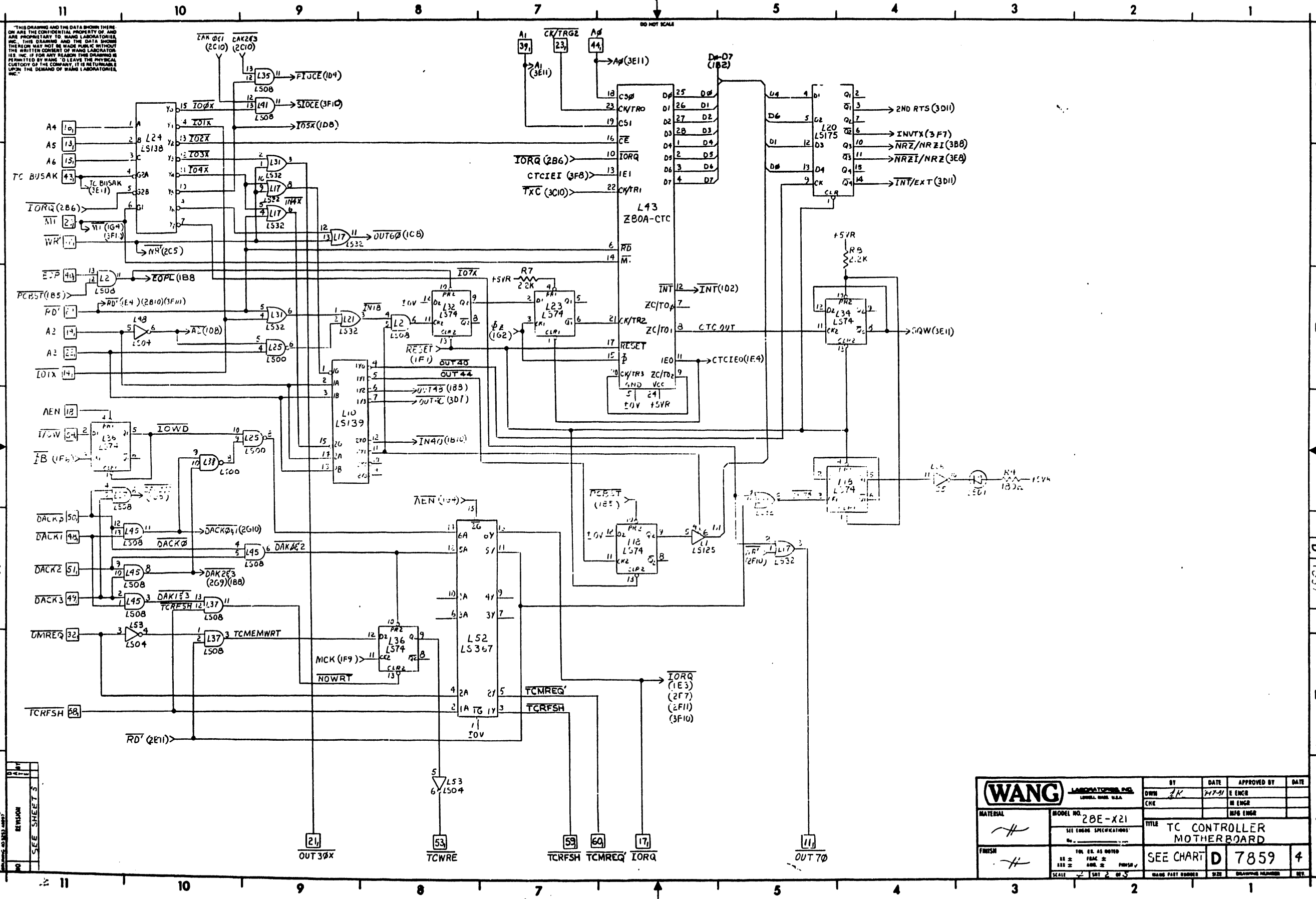
REV	DATE	BY	APP'D	CHK'D	DESCRIPTION
1	10-22-77	WJD	WJD	WJD	ORIGINATED PER DWG E1258 APP'D: WJD
2	10-27-77	WJD	WJD	WJD	REVISED PER ECO #21574 APP'D: DTC
3	11-15-77	WJD	WJD	WJD	REVISED PER ECO #21748 APP'D: DTC
4	1-4-82	WJD	WJD	WJD	REVISED PER ECO #21748 APP'D: DTC

WANG LABORATORIES, INC. LOCAL MADE U.S.A.	BY	DATE	APPROVED BY	DATE
	DWN TEC-M2T	8-31	E ENGR	7-15-81
MATERIAL	MODEL NO.	TITLE		
	28E-232	2228E TELECOMMUNICATION CONTROLLER MB NC		
FINISH	SCALE	SEE CHART	D 785B	3



THIS DRAWING AND THE DATA SHOWN THERE ON ARE THE CONFIDENTIAL PROPERTY OF AND ARE PROPRIETARY TO WANG LABORATORIES, INC. THE DRAWING AND THE DATA SHOWN THEREIN MAY NOT BE MADE PUBLIC WITHOUT THE WRITTEN CONSENT OF WANG LABORATORIES, INC. IF FOR ANY REASON THIS DRAWING IS PERMITTED BY WANG TO LEAVE THE PHYSICAL CUSTODY OF THE COMPANY, IT IS RETURNABLE UPON THE DEMAND OF WANG LABORATORIES, INC.

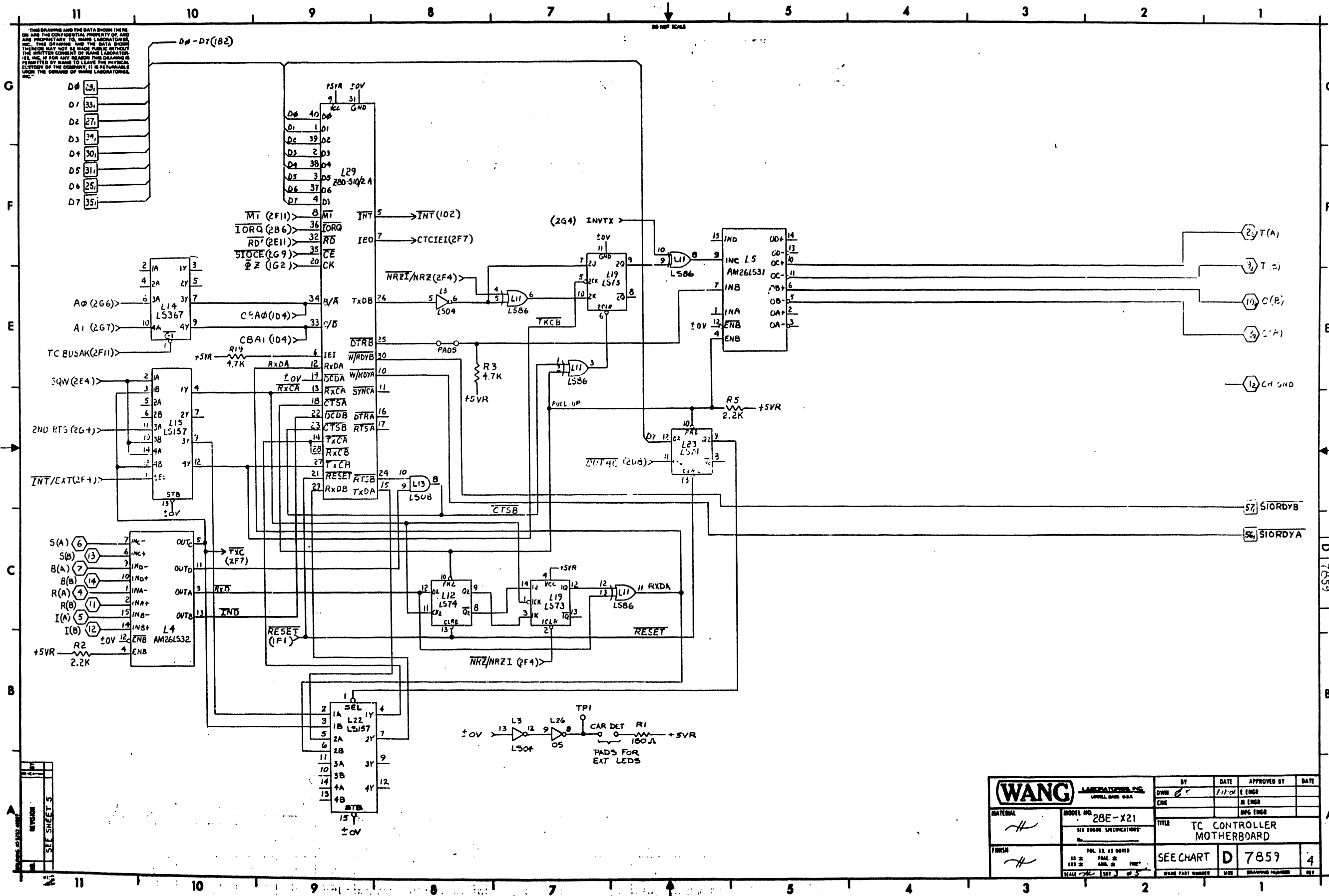
WANG LABORATORIES, INC. LOWELL, MASS. U.S.A.		BY	DATE	APPR'D BY	DATE
		DWN	7-7-77	E ENGR	
MATERIAL		CHK		M ENGR	
				MFG ENGR	
MODEL NO. 28E-X21		TITLE TC CONTROLLER MOTHERBOARD			
FINISH		SEE CHART	D	7859	4
SCALE 1/8" = 1"		DRAWING NUMBER		SIZE	DRAWING NUMBER



THIS DRAWING AND THE DATA SHOWN THEREON ARE THE CONFIDENTIAL PROPERTY OF, AND ARE PROPRIETARY TO WANG LABORATORIES, INC. THIS DRAWING AND THE DATA SHOWN HEREON MAY NOT BE MADE PUBLIC WITHOUT THE WRITTEN CONSENT OF WANG LABORATORIES, INC. IF FOR ANY REASON THIS DRAWING IS PERMITTED BY WANG TO LEAVE THE PHYSICAL POSSESSION OF THE COMPANY, IT IS RETURNABLE UPON THE DEMAND OF WANG LABORATORIES, INC.

NO.	REV.	DATE	BY

WANG LABORATORIES, INC. LOCAL, MADE U.S.A.		BY	DATE	APPROVED BY	DATE
MATERIAL		OWN	CHK	ENGR	
MODEL NO. 2BE-X21		TITLE TC CONTROLLER MOTHERBOARD			
FINISH		SEE CHART D 7859		4	
SCALE 1:1		DRAWING NUMBER			

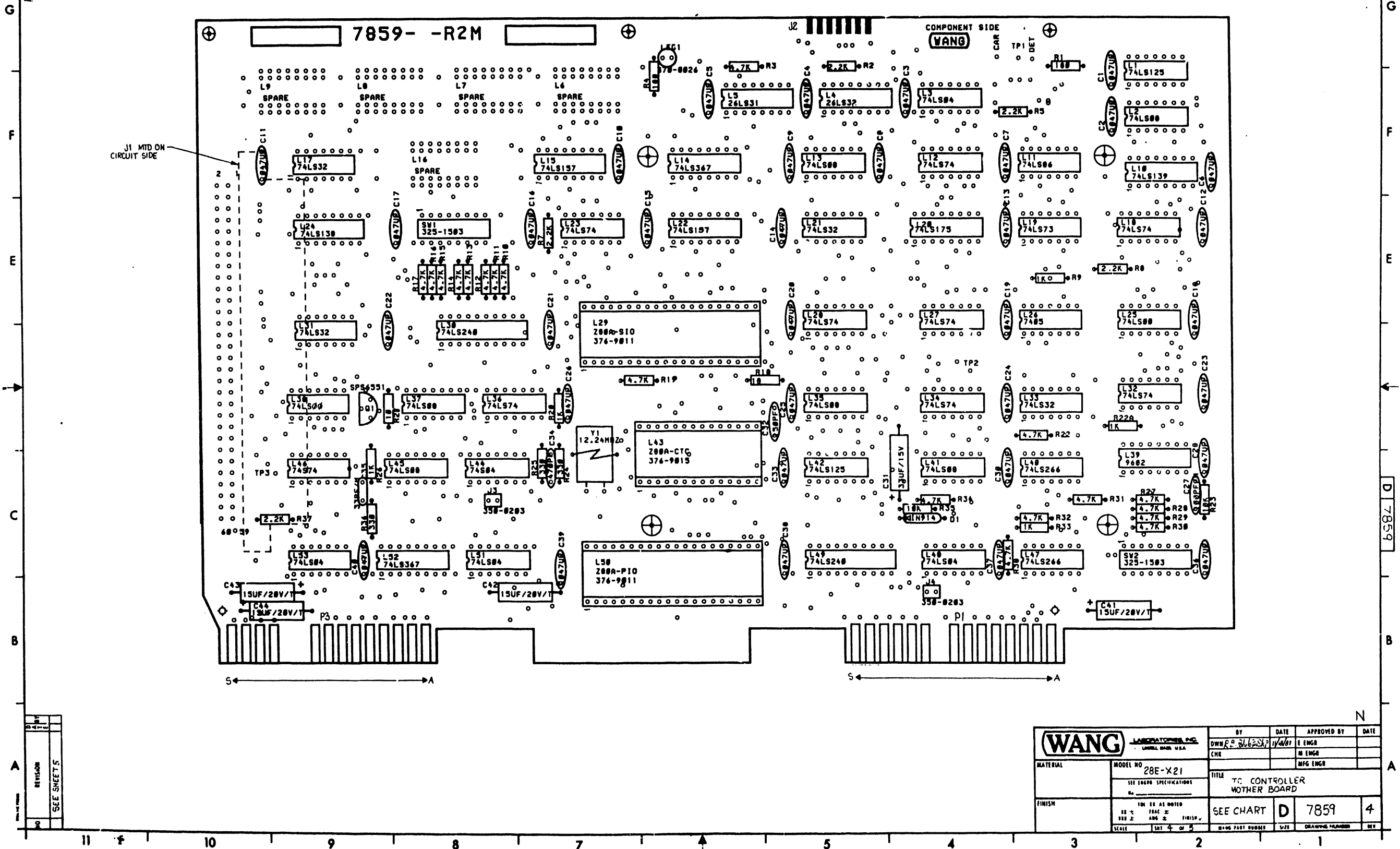


REV	DESCRIPTION	DATE
1	ISSUE SHEET 5	

WANG LABORATORIES, INC. LITTLE ROCK, ARK. U.S.A.		BY	DATE	APPROVED BY	DATE
		DWH	11/27	E ENGR	
MATERIAL # MODEL NO. 28E-X21 SEE ENGINE SPECIFICATIONS		TITLE			
		TC CONTROLLER MOTHERBOARD			
FINISH #		SEE CHART		D	7859
		DRAWN PART NUMBER		SIZE	DRAWING NUMBER

THIS DRAWING AND THE DATA SHOWN THEREON ARE THE CONFIDENTIAL PROPERTY OF AND ARE PROPRIETARY TO WANG LABORATORIES, INC. THIS DRAWING AND THE DATA THEREON MAY NOT BE MADE PUBLIC WITHOUT THE WRITTEN CONSENT OF WANG LABORATORIES, INC. IF FOR ANY REASON THIS DRAWING IS PERMITTED BY WANG TO LEAVE THE PHYSICAL CUSTODY OF THE COMPANY, IT IS HEREBY GRANTED TO THE DEMAND OF WANG LABORATORIES, INC.

DO NOT SCALE



REV	DATE	BY	APP'D

REVISION
SEE SHEETS 5

WANG LABORATORIES, INC. LABEL MADE IN U.S.A.		BY DWN R. P. 11/4/68	DATE 11/4/68	APPROVED BY E ENGR	DATE
MATERIAL	MODEL NO 28E-X21	CHE		M ENGR	
SEE ENGR SPECIFICATIONS		TITLE TC CONTROLLER MOTHER BOARD			
FINISH	TON IS AS NOTED FRAC ± ANG ±	SEE CHART	D	7859	4
SCALE 1:1		SHEET 4 OF 5		DRWG PART NUMBER	REV

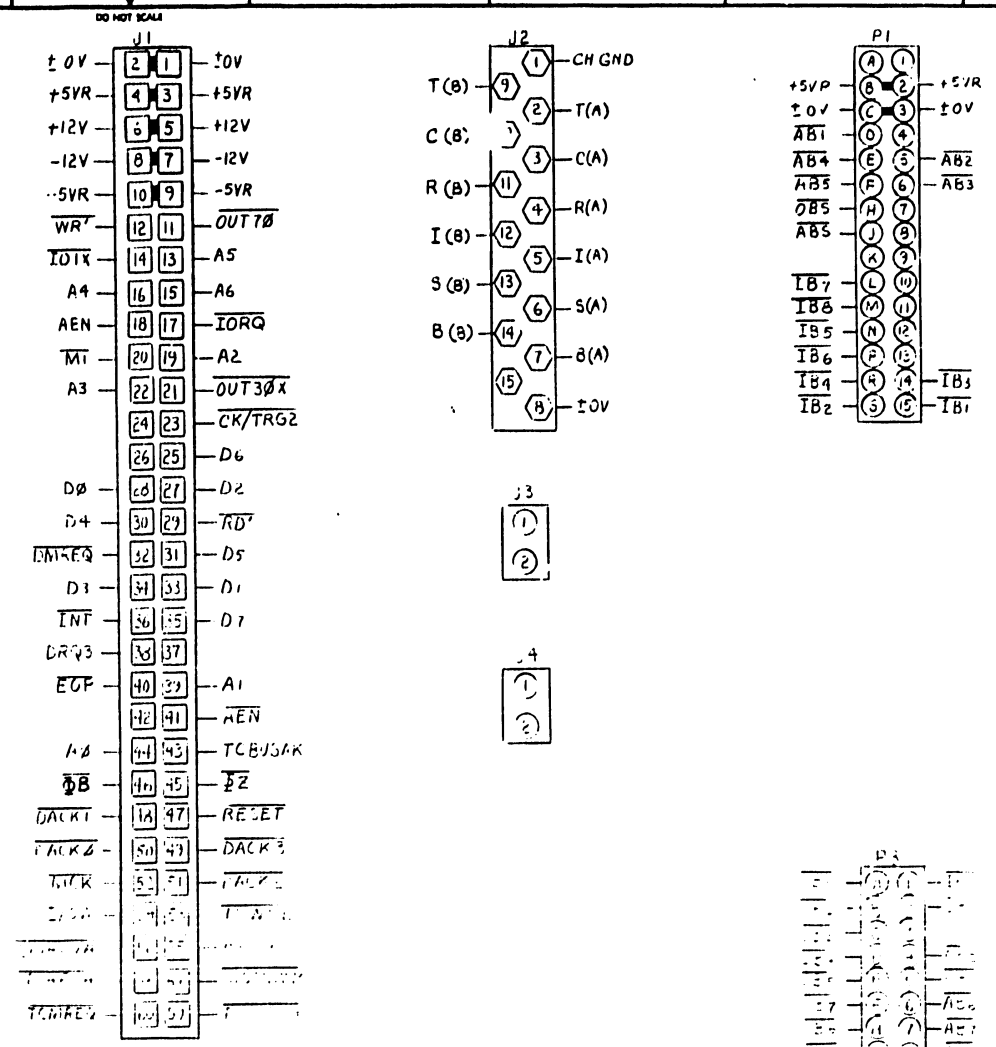
THIS DRAWING AND THE DATA SHOWN THERE ON ARE THE CONFIDENTIAL PROPERTY OF AND ARE PROPRIETARY TO WANG LABORATORIES, INC. THIS DRAWING AND THE DATA SHOWN THEREON MAY NOT BE MADE PUBLIC WITHOUT THE WRITTEN CONSENT OF WANG LABORATORIES, INC. IF FOR ANY REASON THIS DRAWING IS FURNISHED BY WANG TO LEASEE, THE PHYSICAL CUSTODY OF THE COMPANY, IT IS RETURNABLE UPON THE DEMAND OF WANG LABORATORIES, INC.

LOCATION	TYPE	WL PART NO.
L1,42	74LS125	376-0486
L25,38	74LS00	376-0207
L3,48,51,53	74LS04	376-0180
L4	26LS32	376-0471
L5	26LS31	376-0470
L6,7,8,9,16	SPARE	
L10	74LS139	376-0226
L11	74LS86	376-0231
L12,19,23,27,28,32,34,36	74LS74	376-0155
L2,12,15,17,41,45	74LS08	376-0153
L14,35	74LS267	376-0192
L15,22	74LS157	376-0216
L17,21,31,33	74LS32	376-0211
L17	74LS73	376-0304
L29	74LS175	376-0160
L24	74LS133	376-0294
L25	7405	376-0029
L27	Z80A-SIO/2	SEE CHART
L39,47	74LS240	376-0297
L37	7402	376-0104
L40,47	74LS266	376-0148
L43	Z80A-CTC	SEE CHART
L44	74LS04	376-0197
L46	74LS74	376-0202
L45	Z80A-MIO	SEE CHART
L23,50	40 PIN SKT	376-9011
L43	33 PIN SKT	376-7613

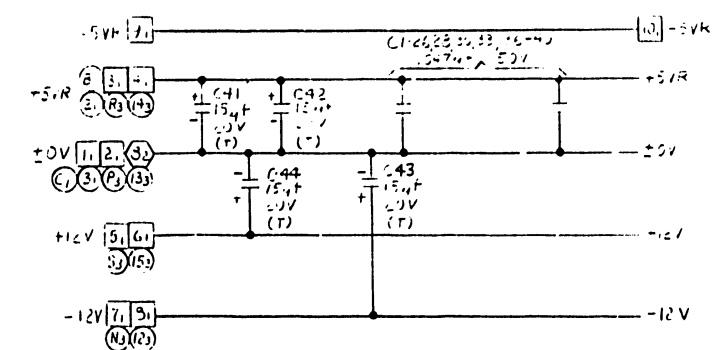
TYPE	LOCATION	COUNT
74LS00	L25	1
	L38	3
	L2	1
	L13	3
74LS08	L35	1
	L37	1
74LS04	L3	3
	L53	1
7405	L26	3
74LS74	L32	1
74LS125	L1	3
9602	L39	1

COMPONENT	TYPE	WL PART	
R1,4	180Ω 1/4W 5%	330-2019	
R2,5,7,8,37	2.2K 1/4W 5%	330-3023	
R3	10-17,19,22,27-32,34,38	4.7K 1/4W 5%	330-3048
R9,20,26,33,224	1K 1/4W 5%	330-3011	
R18	18Ω 1/4W 5%	330-1019	
R21	10Ω 1/4W 5%	330-1011	
R23,35	10K 1/4W 5%	330-4011	
R24,25,26	330Ω 1/4W 5%	330-2034	
C1,26,28,30,32,40	.047μF 50V	300-1966	
C27	1000pF 100V MICA	300-5006	
C29	100pF 500V MICA	300-5028	
C31	33μF 10V TANT	300-4024	
C32	150μF 500V 10%	300-1150	
C34	470pF 500V	300-1470	
C35	33μF 50V TANT	300-1015	
C41-44	15μF 20V TANT	300-4022	
Y1	12.4742 MHz XTAL	321-0019	
SW1, SW2	3 POS DIL	325-1503	
LEL1	LED RED	370-0075	
Q1	SPS 6551	375-1050	
J1	50 PIN SKT	350-0051	
J2	10 PIN SKT	350-1081	
J3, J4	20 PIN SKT	350-0052	
J5, J6	30 PIN SKT	350-1502	
D1	10 PIN SKT	350-1012	

210 = 209 + 377	492	450
7859-A	7859	377-0052



REV	DESCRIPTION	DATE
A2, A1	237	
A2, A3	2E11	
A4	2011	
A5, A6	2F11	
AB1-AB3	1F11	
AE5	1G3	
AEN	2G11	
AEN	1G5	
B(A), P(B)	3C11	
B(P)	1C1	
C(A), C(B)	3F1	
CE5	1G6	
CE7	1F	
CE8	1F	
CE9	1F	
CE10	1F	
CE11	1F	
CE12	1F	
CE13	1F	
CE14	1F	
CE15	1F	
CE16	1F	
CE17	1F	
CE18	1F	
CE19	1F	
CE20	1F	
CE21	1F	
CE22	1F	
CE23	1F	
CE24	1F	
CE25	1F	
CE26	1F	
CE27	1F	
CE28	1F	
CE29	1F	
CE30	1F	
CE31	1F	
CE32	1F	
CE33	1F	
CE34	1F	
CE35	1F	
CE36	1F	
CE37	1F	
CE38	1F	
CE39	1F	
CE40	1F	
CE41	1F	
CE42	1F	
CE43	1F	
CE44	1F	
CE45	1F	
CE46	1F	
CE47	1F	
CE48	1F	
CE49	1F	
CE50	1F	
CE51	1F	
CE52	1F	
CE53	1F	
CE54	1F	
CE55	1F	
CE56	1F	
CE57	1F	
CE58	1F	
CE59	1F	
CE60	1F	
CE61	1F	
CE62	1F	
CE63	1F	
CE64	1F	
CE65	1F	
CE66	1F	
CE67	1F	
CE68	1F	
CE69	1F	
CE70	1F	
CE71	1F	
CE72	1F	
CE73	1F	
CE74	1F	
CE75	1F	
CE76	1F	
CE77	1F	
CE78	1F	
CE79	1F	
CE80	1F	
CE81	1F	
CE82	1F	
CE83	1F	
CE84	1F	
CE85	1F	
CE86	1F	
CE87	1F	
CE88	1F	
CE89	1F	
CE90	1F	
CE91	1F	
CE92	1F	
CE93	1F	
CE94	1F	
CE95	1F	
CE96	1F	
CE97	1F	
CE98	1F	
CE99	1F	
CE100	1F	



REV	DESCRIPTION	DATE	BY	CHKD	APPD
1	INITIAL DESIGN	7/21/75	KTH		
2	REVISION FOR ECO# 2080	7/21/75	KTH		
3	REVISION FOR ECO# 2080	7/21/75	KTH		
4	REVISION FOR ECO# 2080	7/21/75	KTH		
5	REVISION FOR ECO# 2080	7/21/75	KTH		
6	REVISION FOR ECO# 2080	7/21/75	KTH		
7	REVISION FOR ECO# 2080	7/21/75	KTH		
8	REVISION FOR ECO# 2080	7/21/75	KTH		
9	REVISION FOR ECO# 2080	7/21/75	KTH		
10	REVISION FOR ECO# 2080	7/21/75	KTH		

WANG LABORATORIES, INC. LOWELL, MASS. U.S.A.		BY: DWH	DATE: 11/77	APPROVED BY: E ENGR R.S.	DATE: 11/77
MATERIAL: #	MODEL NO: 28E-X21	CHKD: CHE	DATE: 11/77	MFG ENGR:	
TITLE: TC CONTROLLER MOTHERBOARD		SEE CHART D 7859 4			
FINISH: #		SCALE: 1/8" = 1" (SEE CHART)			
PART NO: 7859-A		DRAWING NUMBER: 4			



LABORATORIES, INC.

ONE INDUSTRIAL AVENUE, LOWELL, MASSACHUSETTS 01851, TEL. (617) 459-8000, TWX 710 343-6769, TELEX 94-7421

PRINTED IN U.S.A.

END