

REVISIONS			
REV.	DESCRIPTION	APPROVED	DATE
X 02	PROTOTYPE RELEASE		
X 2	REVISED NOTE 1, & ADDED NOTE 2	J.E.H.	8-2-78
X 3	MOVED C26	J.E.H.	1-13-79
A	PRODUCTION RELEASE EN 80391		
B	DELETED IC 2 PER EN 81945		
C	ADDED DASH NO CHART TO FIG. NOTE 1. WAS 5 MARK REVISION. ** REMOVED -000 ZONE C2. ADDED VERSION INDICATOR TO IC15. PER EN 80157		

DASH NUMBER CHART		
PART NUMBER	DESCRIPTION	
44PO592-000	REGISTER CARD 18BT	
44PO592-001	REGISTER CARD 18BT	

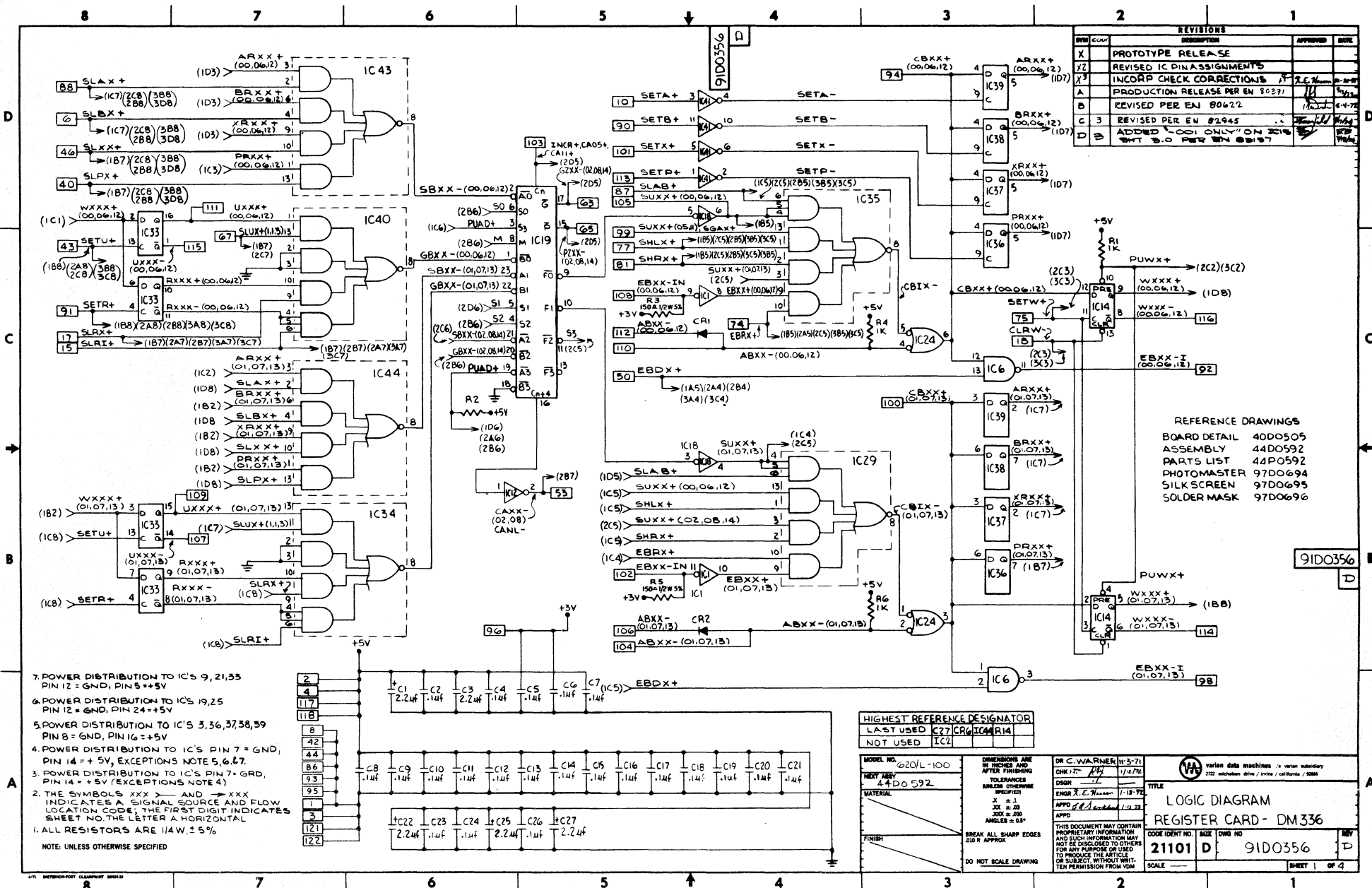
SLOTS 7, 8, OR 9  
FOR PARTS LIST SEE 44PO592

△ MARK SERIAL NO. WHERE SHOWN USING .12 HIGH PERMANENT CHARACTERS.  
 △ MARK APPLICABLE DASH NO OF PARTS LIST TO WHICH PART WAS MANUFACTURED APPROX. WHERE SHOWN. IDENTIFICATION TO BE .12 HIGH CHARACTERS AND PERMANENT.  
 NOTE: UNLESS OTHERWISE SPECIFIED

REFERENCE DRAWINGS  
 40D0505 PW BOARD  
 97D0696 SOLDER MASK  
 97D0695 SILKSCREEN  
 97D0694 ARTWORK  
 91D0356 LOGIC DIAGRAM

MODEL NO.	620/L-100
NEXT ASSY	OIP1277
MATERIAL	
FINISH	
DIMENSIONS ARE IN INCHES AND AFTER FINISHING	
TOLERANCES UNLESS OTHERWISE SPECIFIED	
F. ± .1	
JX ± .03	
JZE ± .05	
ANGLES ± .5°	
BREAK ALL SHARP EDGES AND APPROX.	
DO NOT SCALE DRAWING	

DR	08/22	1/10/78
CHECKED	08/22	1/12/78
DESIGN	08/22	1/18/78
ENGR	R.C. HANCOCK	1-13-78
APPRO		
THIS DOCUMENT MAY CONTAIN PROPRIETARY INFORMATION AND SUCH INFORMATION MAY NOT BE DISCLOSED TO OTHERS FOR ANY PURPOSE OR USED TO PRODUCE THE ARTICLE OR SUBJECT, WITHOUT WRITTEN PERMISSION FROM VMC		
TITLE		REV
REGISTER CARD		
ASSY DM336		
CODE IDENT NO.	SIZE	DWG NO.
21101	D	44D0592
SCALE 2/1	SHEET 1 OF 1	



REVISIONS			
REV	DATE	DESCRIPTION	APPROVED
X		PROTOTYPE RELEASE	
Y2		REVISED IC PIN ASSIGNMENTS	
X3		INCORP CHECK CORRECTIONS	
A		PRODUCTION RELEASE PER EN 80622	
B		REVISION PER EN 80622	
C		REVISED PER EN 82945	
D		ADDED "OO ONLY" ON IC14	

- REFERENCE DRAWINGS
- BOARD DETAIL 4400505
  - ASSEMBLY 4400592
  - PARTS LIST 44P0592
  - PHOTOMASTER 9700694
  - SILK SCREEN 9700695
  - SOLDER MASK 9700696

HIGHEST REFERENCE DESIGNATOR	
LAST USED	C27 CR6 IC44 R14
NOT USED	IC2

MODEL NO.	620L-100
FINISH	4400592
MATERIAL	

UNDESIGNED ARE IN INCHES AND AFTER FINISHING TOLERANCES UNLESS OTHERWISE SPECIFIED

X = ±1  
 XX = ±0.5  
 XXX = ±0.25  
 ANGLE = 0.5°

BREAK ALL SHARP EDGES AND R APPROX

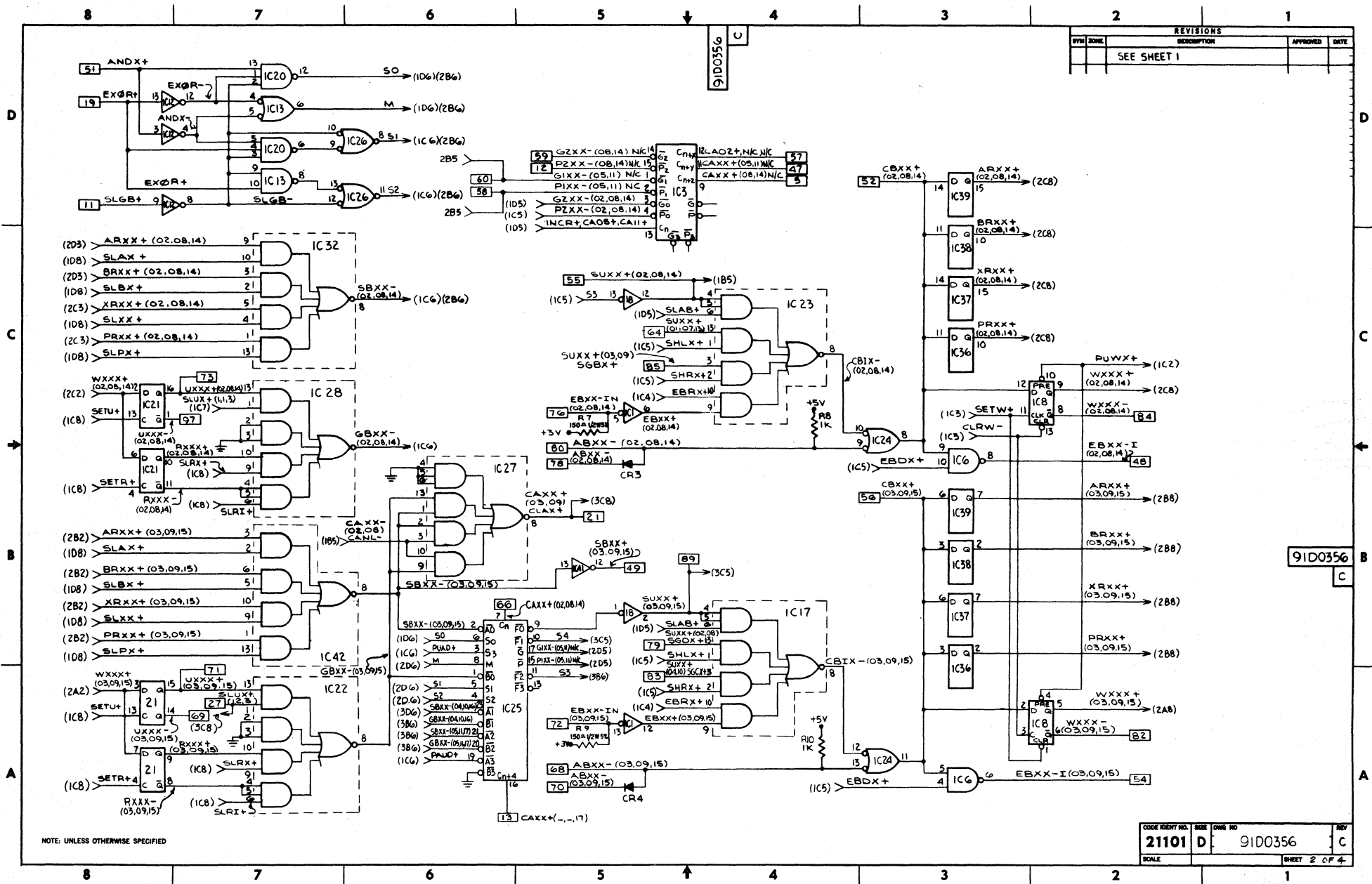
DO NOT SCALE DRAWING

DR C. WARNER	11-2-71
CHK 17	1/12/72
DESIGN	
ENGR J. E. HANSEN	1-12-72
APPRO	1-12-72

LOGIC DIAGRAM	
REGISTER CARD - DM 336	
CODE IDENT NO.	21101 D
BASE	9100356
SCALE	
SHEET	1 OF 4

- POWER DISTRIBUTION TO IC'S 9, 21, 35  
PIN 12 = GND, PIN 5 = +5V
  - POWER DISTRIBUTION TO IC'S 19, 25  
PIN 12 = GND, PIN 24 = +5V
  - POWER DISTRIBUTION TO IC'S 3, 36, 37, 38, 39  
PIN 8 = GND, PIN 16 = +5V
  - POWER DISTRIBUTION TO IC'S PIN 7 = GND,  
PIN 14 = +5V (EXCEPTIONS NOTE 5, 6, 7)
  - POWER DISTRIBUTION TO IC'S PIN 7 = GND,  
PIN 14 = +5V (EXCEPTIONS NOTE 4)
2. THE SYMBOLS XXX AND XXX INDICATES A SIGNAL SOURCE AND FLOW LOCATION CODE; THE FIRST DIGIT INDICATES SHEET NO. THE LETTER A HORIZONTAL
1. ALL RESISTORS ARE 1/4W, ±5%
- NOTE: UNLESS OTHERWISE SPECIFIED

REVISIONS				
SYD	ZONE	DESCRIPTION	APPROVED	DATE
		SEE SHEET 1		

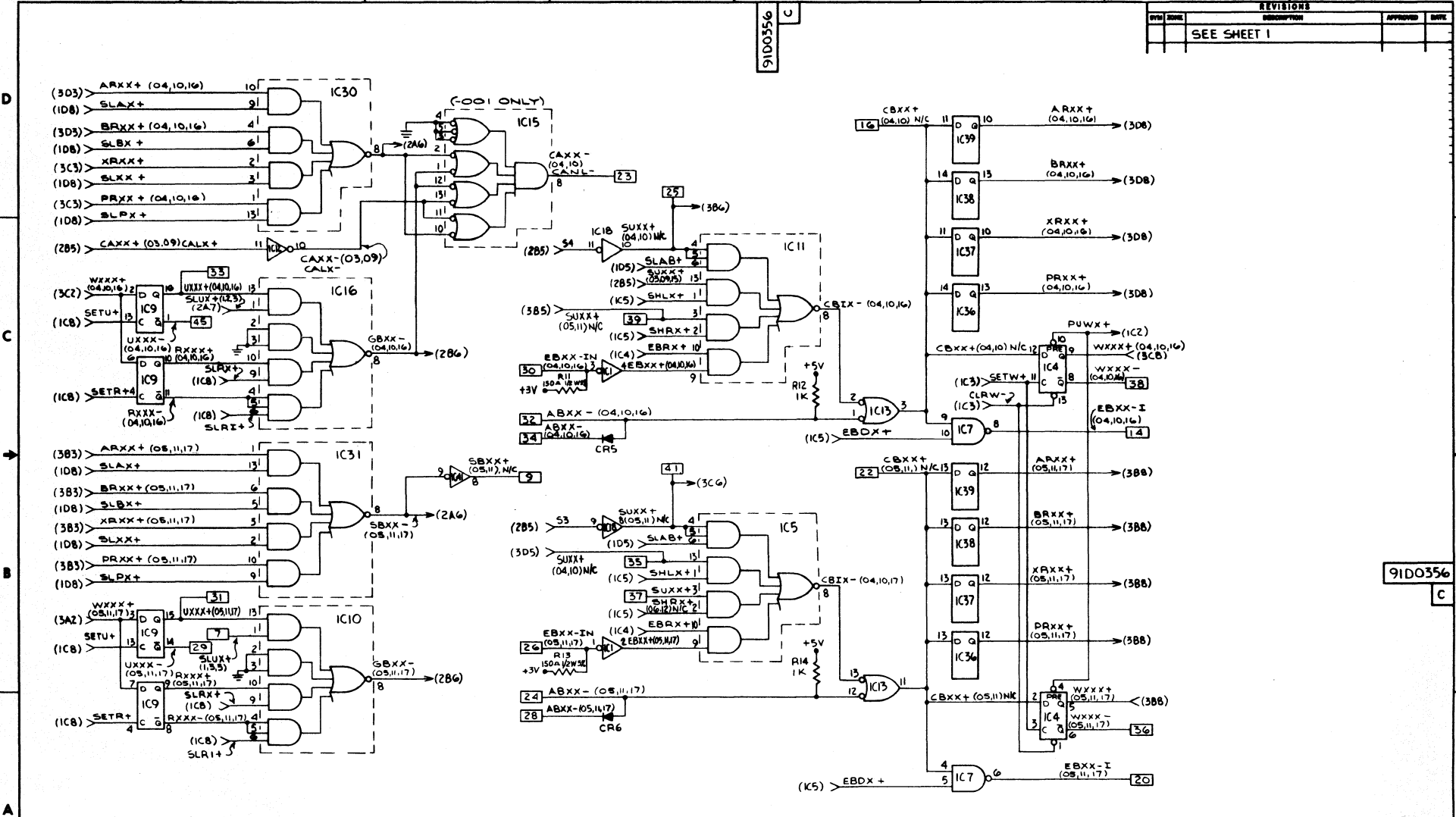


NOTE: UNLESS OTHERWISE SPECIFIED

CODE SHEET NO. 21101 D  
 SIZE D  
 DWG NO. 91D0356  
 REV C  
 SCALE  
 SHEET 2 OF 4

REVISIONS			
SYN	DATE	DESCRIPTION	APPROVED
		SEE SHEET 1	

91D0356 U



91D0356 B  
C

NOTE: UNLESS OTHERWISE SPECIFIED

CODE IDENTIFY NO.	DATE	CHG NO.	REV
21101	D	91D0356	C
SCALE	SHEET 3 OF 4		

8

7

6

5

4

3

2

1

REVISED		REVISIONS		APPROVED	DATE
DATE	BY	DESCRIPTION			
		SEE SHEET 1			

91D0356

- 1 GRD → 1A7
- 2 +5V → 1B7
- 3 GRD → 1A7
- 4 +5V → 1A7
- 5 CAXX+(08,14)N/C → 2D4
- 6 SLBX+ → 1D8
- 7 SLUX+(1,2,3) → 3B7
- 8 GRD →
- 3B6 > SBXX+(05,11)N/C → 9
- 10 SETA+ → 1D5
- 11 SLGB+ → 2D8
- 12 P2XX-(08,14)N/C → 2D5
- 3A5 > CAXX+(-,17) → 13
- 3C2 > EBXX-I (04,10,16) → 14
- 15 SLRI+ → 1C8
- 16 CBXX+(04,10)N/C → 3D4
- 17 SLRX+ → 1C8
- 18 CLRW- → 1C2
- 19 EXΦR+ → 2D8
- 20 EBXX-I (05,11,17) → 3A2
- 2B5 > CAXX+(03,09)CLAX+ → 21
- 22 CBXX+(05,11)N/C → 3B4
- 3D5 > CAXX-(04,10)CANL- → 23
- 24 ABXX-(05,11,17) → 3A6
- 25 SUXX+(04,10)N/C → 3D5
- 26 EBXX-IN (05,11,17) → 3B6
- 27 SLUX+(1,2,3) → 2A7
- 28 ABXX-(05,11,17) → 3A6
- 3B7 > UXXX-(05,11,17) → 29
- 30 EBXX-IN (04,10,16) → 3C6
- 3B7 > UXXX+(05,11,17) → 31
- 32 ABXX-(04,10,16) → 3C6
- 3C7 > UXXX+(04,10,16) → 33
- 34 ABXX-(04,10,16) → 3C6
- 35 SUXX+(04,10)N/C → 3B5
- 3A2 > WXXX-(05,11,17) → 36
- 37 SUXX+ → 3B5
- 3C2 > WXXX-(04,10,16) → 38
- 39 SUXX+(05,11)N/C → 3C5
- 40 SLPX+ → 1D8
- 41 SUXX+(05,11)N/C → 3B5
- 42 GRD →
- 43 SETU+ → 1C8
- 44 GRD →
- 3C7 > UXXX-(04,10,16) → 45
- 46 SLXX+ → 1D8
- 47 CAXX+(05,11)N/C → 2D4
- 2B2 > EBXX-I (02,08,14) → 48
- 2A6 > SBXX+(03,09,15) → 49
- 50 EBDX+ → 1C5
- 51 ANDX+ → 2D8
- 52 CBXX+(02,08,14) → 2D3
- 1C5 > CAXX-(02,08)CANL- → 53
- 2A2 > EBXX-I (03,09,15) → 54
- 55 SUXX+(02,08,14) → 2C5
- 56 CBXX+(03,09,15) → 2B8
- 57 CAO2+N/C,N/C → 2B3
- 58 PIXX-(05,11)NC → 2D6
- 59 G2XX-(08,14)N/C → 2D5
- 60 G1XX-(05,11)NC → 2D6
- 61
- 62
- 63 G2XX-(02,08,14) → 1D5
- 64 SUXX+ → 1B4
- 65 P2XX-(02,08,14) → 1C5
- 66 CAXX+(02,08,14) → 2B6
- 67 SLUX+(1,1,3) → 1D7
- 68 ABXX-(03,09,15) → 2A5
- 2A7 > UXXX-(03,09,15) → 69
- 70 ABXX-(03,09,15) → 2A5
- 2A7 > UXXX+(03,09,15) → 71
- 72 EBXX-IN (03,09,15) → 2A5
- 2C7 > UXXX+(02,08,14) → 73
- 74 EBRX+ → 1C4
- 75 SETW+ → 1C2
- 76 EBXX-IN (02,08,14) → 2C5
- 77 SHLX+ → 1C5
- 78 ABXX-(02,08,14) → 2C5
- 79 SUXX+(02,08)SGDX+ →
- 80 ABXX-(02,08,14) → 2B5
- 81 SHRX+ → 1C5
- 2A2 > WXXX-(03,09,15) → 82
- 83 SUXX+(04,10)SGCX+ → 2A5
- 2C2 > WXXX-(02,08,14) → 84
- 85 SUXX+(03,09)SGBX+ → 2C5
- 86 GRD →
- 87 SLAB+ → 1D5
- 88 SLAX+ → 1D8
- 89 SUXX+(03,09,15) → 2C5
- 90 SETB+ → 1D5
- 91 SETR+ → 1C8
- 1C1 > EBXX-I (00,06,12) → 92
- 93 GRD →
- 94 CBXX+(00,06,12) → 1D3
- 95 GRD →
- 96 +3V → 1B6
- 2C7 > UXXX-(02,08,14) → 97
- 1A1 > EBXX-I (01,07,13) → 98
- 99 SUXX+(03,11)SGAX+ → 1C5
- 100 CBXX+(01,07,13) → 1C3
- 101 SETX+ → 1D5
- 102 EBXX-IN → 1B5
- 103 INCR+CAO5+CA11+ → 1D5
- 104 ABXX-(01,07,13) → 1B5
- 105 SUXX+(00,06,12) → 1D5
- 106 ABXX-(01,07,13) → 1B5
- 1B7 > UXXX-(01,07,13) → 107
- 108 EBXX-IN (00,06,12) → 1C5
- 1B7 > UXXX+(01,07,13) → 109
- 110 ABXX-(00,06,12) → 1C5
- 1D7 > UXXX+(00,06,12) → 111
- 112 ABXX-(00,06,12) → 1C5
- 113 SETP+ → 1D5
- 1B1 > WXXX-(01,07,13) → 114
- 1D7 > UXXX-(00,06,12) → 115
- 1C1 > WXXX-(00,06,12) → 116
- 117 +5V → 1A7
- 118 +5V → 1A7
- 119
- 120
- 121 GRD → 1A7
- 122 GRD → 1A7

91D0356

NOTE: UNLESS OTHERWISE SPECIFIED

8

7

6

5

4

3

2

1

CODE IDENT NO.	REV	DATE	BY
21101	D	91D0356	C
SCALE	SHEET 4 OF 4		