

**The Alpha System BCC-300**

REVISIONS

NO.	DATE	DESCRIPTION
1		INITIAL DESIGN
3		REVISED TO LPH 40.2

REVISIONS

DATE: \_\_\_\_\_

DESIGNED BY: D. DODGE

CHECKED BY: I. E. BISH

SCALE: \_\_\_\_\_

TITLE: DATA REGISTER INPUT/OUTPUT

PROJECT: FM A14, A11

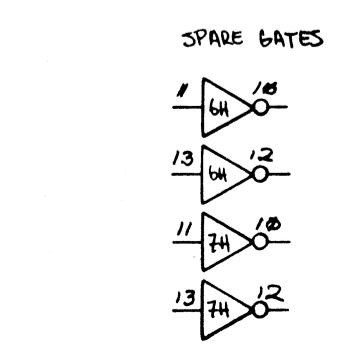
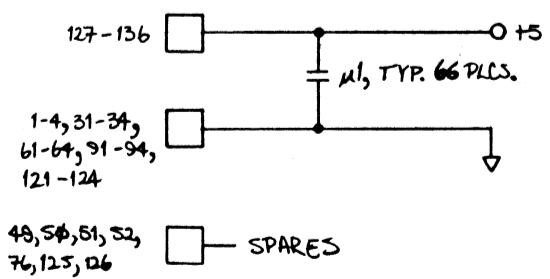
NO. OF SHEETS: 1 OF 3

REVISIONS

NO.	DATE	DESCRIPTION

Notes:

- - $\$ = J, L$
  - $* = K, M$
  - $@ = JK, LM$
  - $* \text{ IN A MODULE MEANS A SELECTED FAST GATE}$
  - $\mu 1 = 0.1\mu$
- A14 JK  
All LM



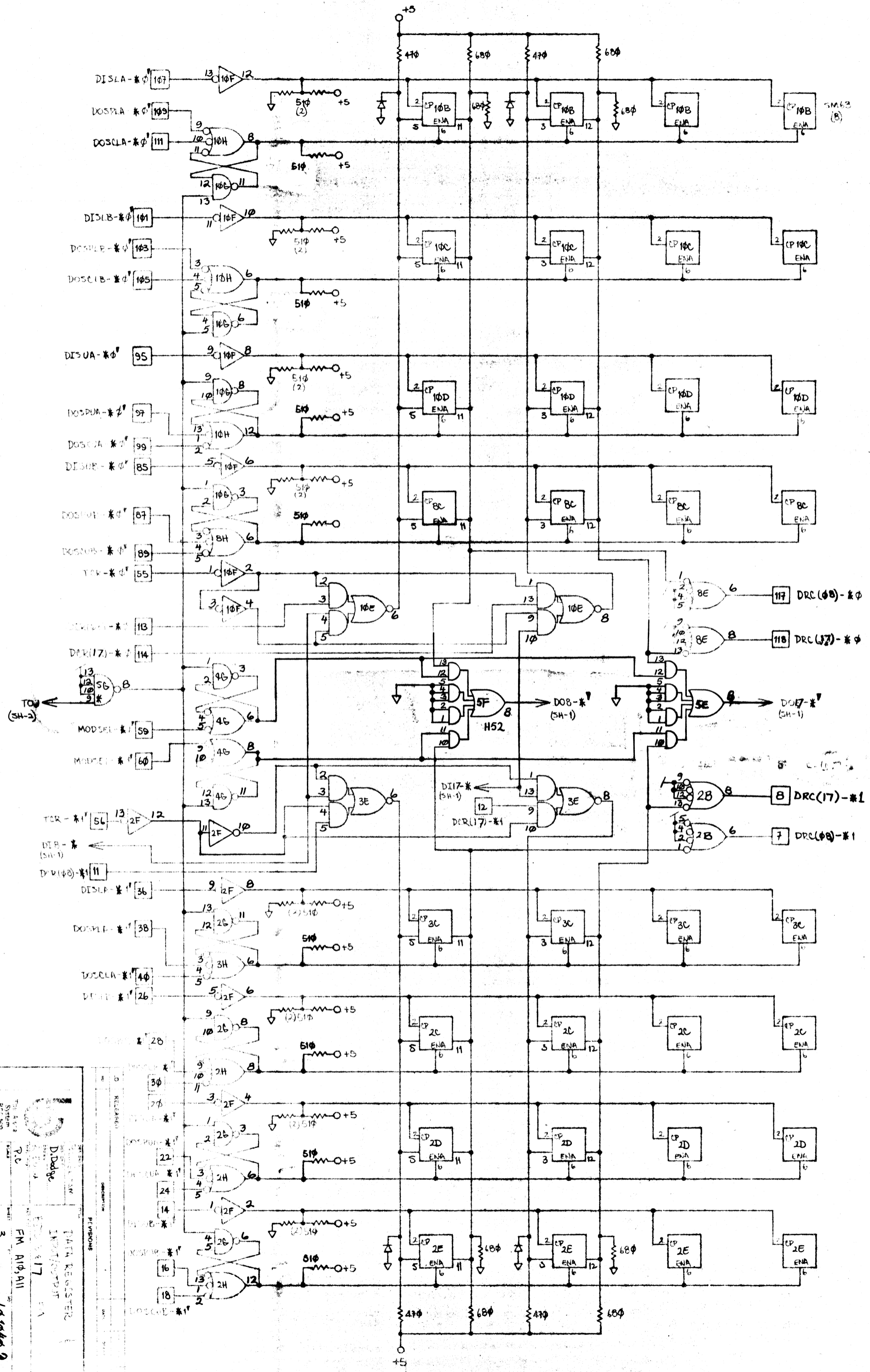
127-136

1-4, 31-34, 61-64, 91-94, 121-124

49, 54, 51, 52, 76, 125, 126

SPARES





RELEASED  
 DATA REGISTER  
 INPUT/OUTPUT  
 FM A10, A11  
 10/10/62