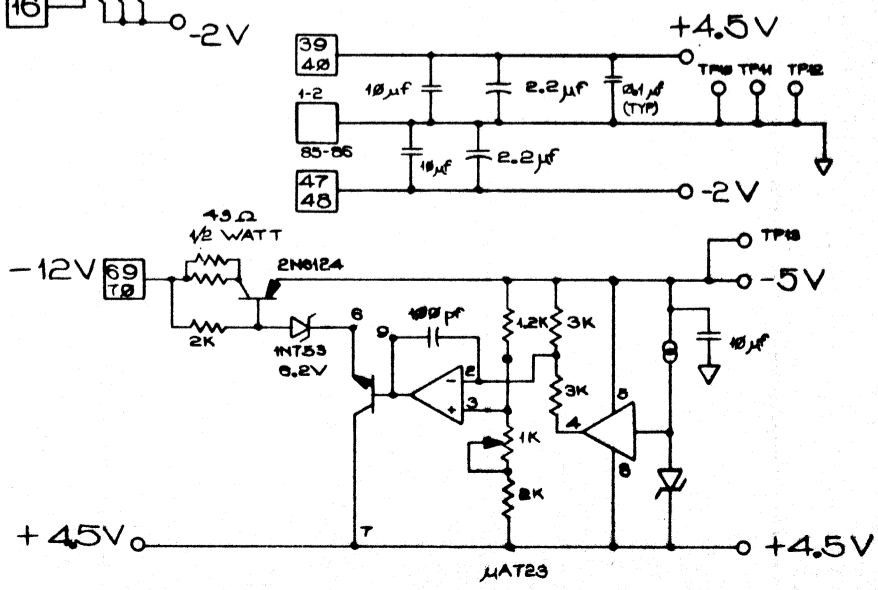
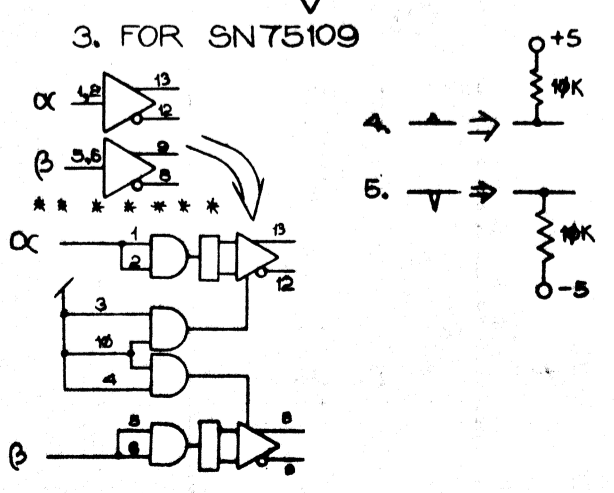


NOTES:  
 1. DATA OUTPUT FROM RECVR. REGISTER LOW TRUE, EXCEPT BITS 0 & 1 ARE NOT INVERTED (PER SPEC)  
 2. AT TOP OF CARD



L01006.0		REVISED
	DATE	REVISIONS
	HP/M1 INTERFACE USED IN HPMAINFRAME L01006.0	1 2

