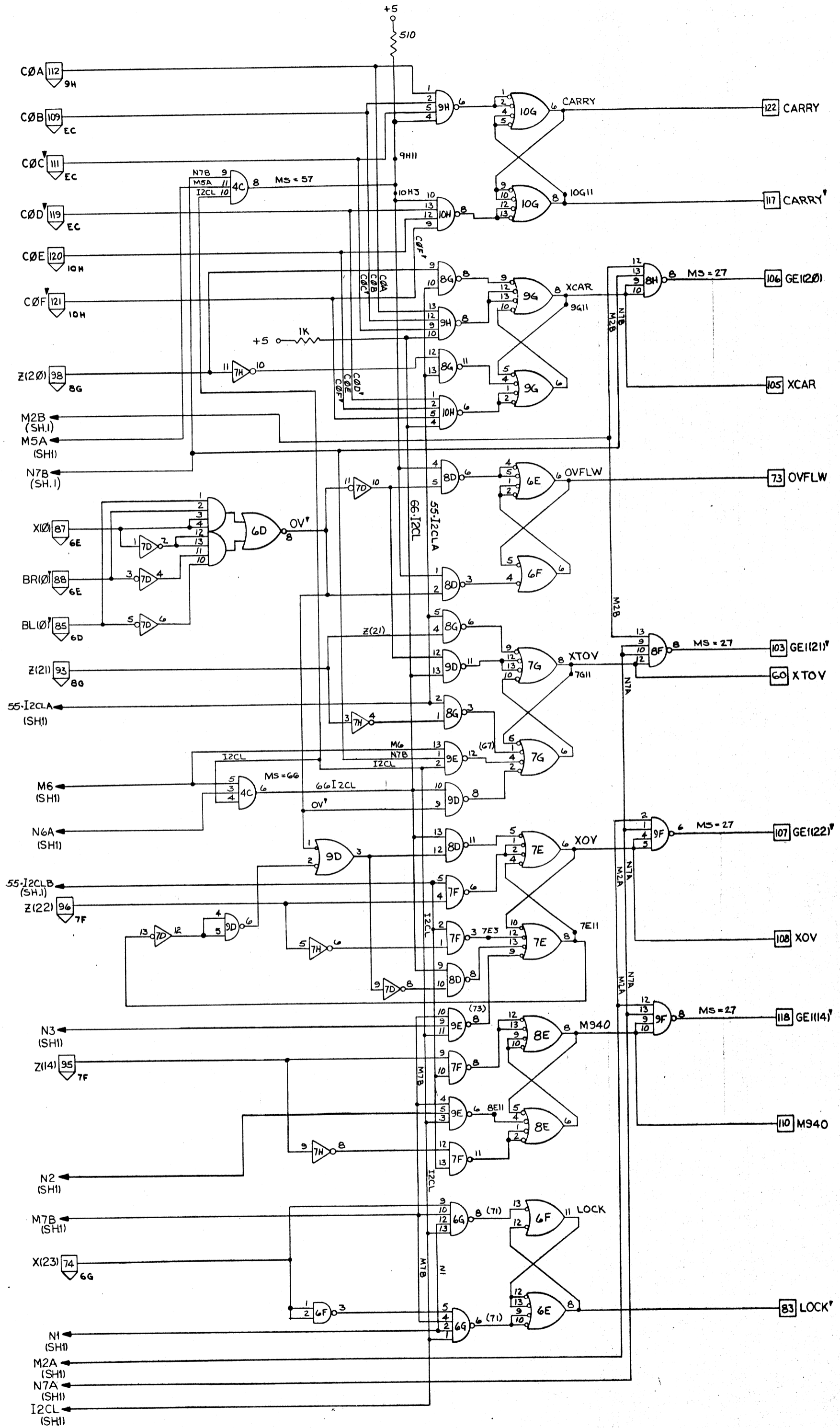


127-136
+5
CD10070
TYP. 80 PLCS.
GND

1-4, 11-14, 21-24,
29-32, 41-44,
50-58, 65-72
75-81, 89-92,
99-102, 113-116,
123-126
SPARES-60, 62, 63

NOTES:
UNLESS OTHERWISE SPECIFIED;
1. TERMINATOR RESISTORS ARE 1/4 W 10% CARBON
2. RESISTORS ARE 1/8 W 10% CARBON
3. EDGE CONNECTOR PINS 59 THRU 64
ARE SPARE PINS

Berkeley Computer Corporation
SCALE: NONE
DATE: 6 OCT 69
REVISED: 11-21-69
SPECIAL FUNCTIONS #2
CPU1
L000570
SH 1 OF 2



Berkeley Computer Corporation
 SCALE: NONE
 DRAWN: AZZ
 DATE: 7 OCT 69
 REVISION: 11-21-69
 SPECIAL FUNCTIONS #2
 LCO057.0
 CPU 1
 SH 2 OF 2