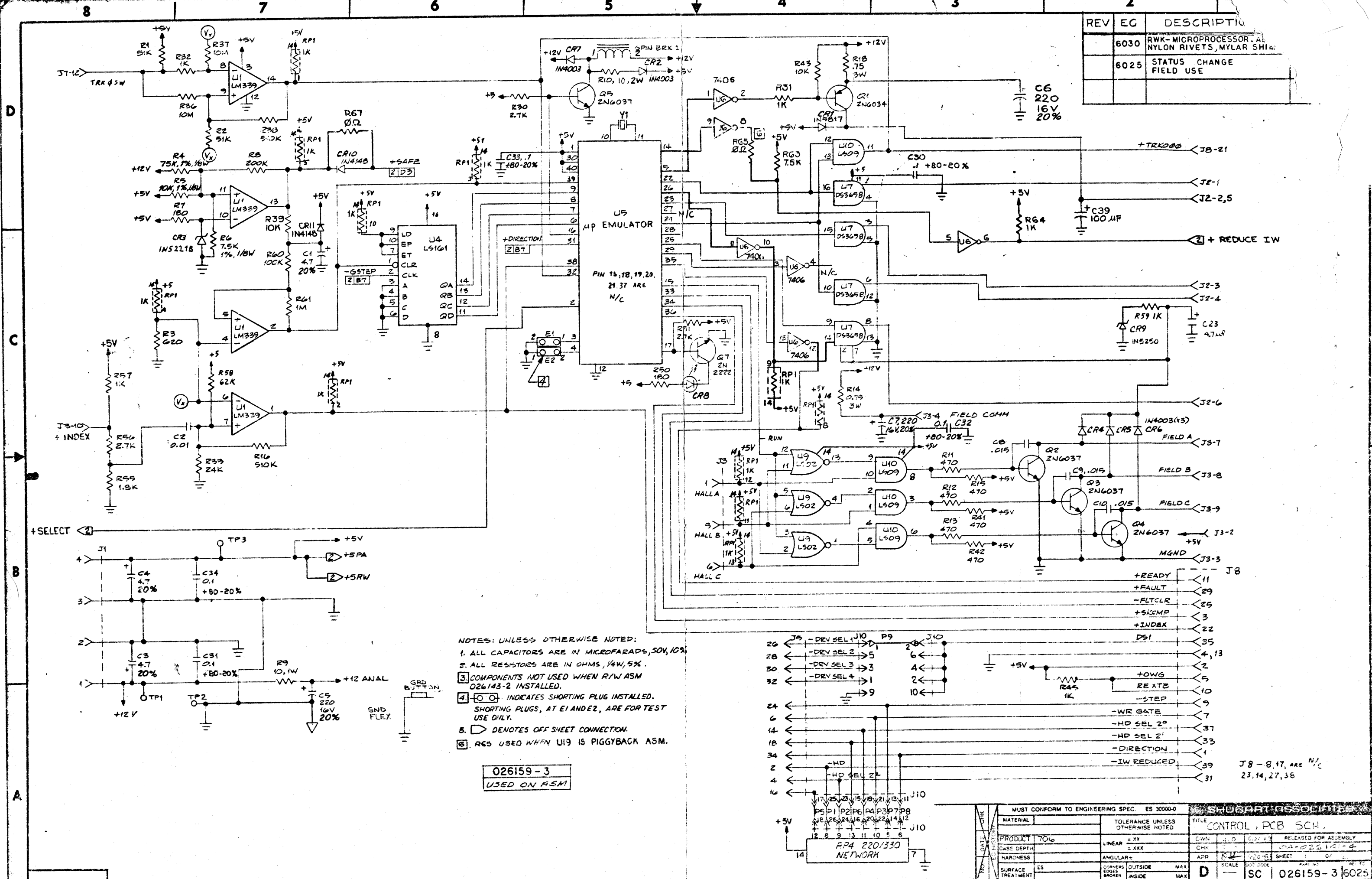
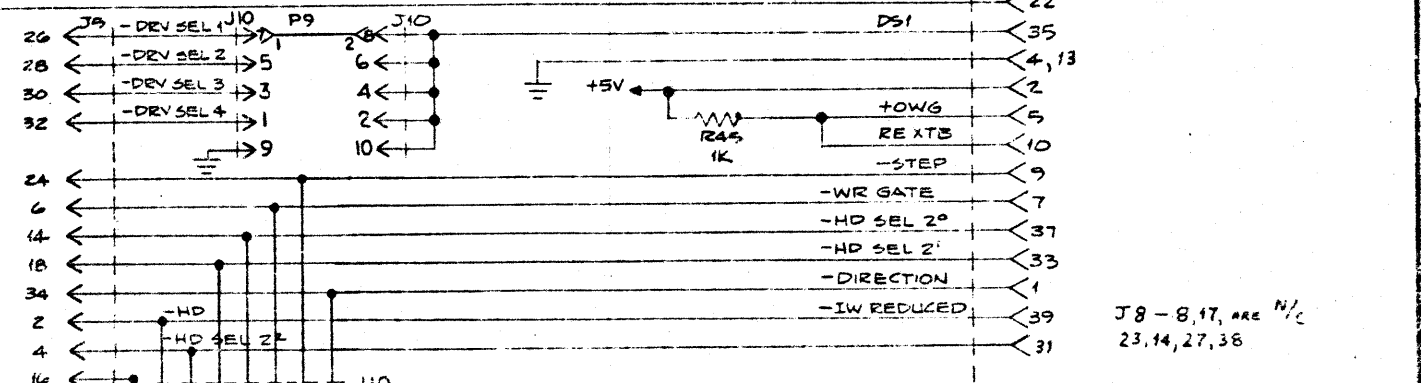


REV	EC	DESCRIPTION
6030		RWK-MICROPROCESSOR, ALL NYLON RIVETS, MYLAR SHI...
6025		STATUS CHANGE FIELD USE



- NOTES: UNLESS OTHERWISE NOTED:
1. ALL CAPACITORS ARE IN MICROFARADS, 50%, 10%
 2. ALL RESISTORS ARE IN OHMS, 1/4W, 5%
 3. COMPONENTS NOT USED WHEN R/W ASM 026143-2 INSTALLED.
 4. INDICATES SHORTING PLUG INSTALLED. SHORTING PLUGS, AT E1 AND E2, ARE FOR TEST USE ONLY.
 5. DENOTES OFF SHEET CONNECTION.
 6. R65 USED WHEN U19 IS PIGGYBACK ASM.

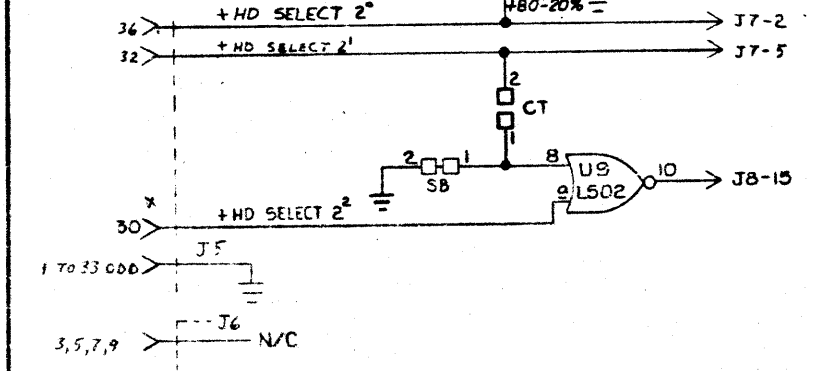
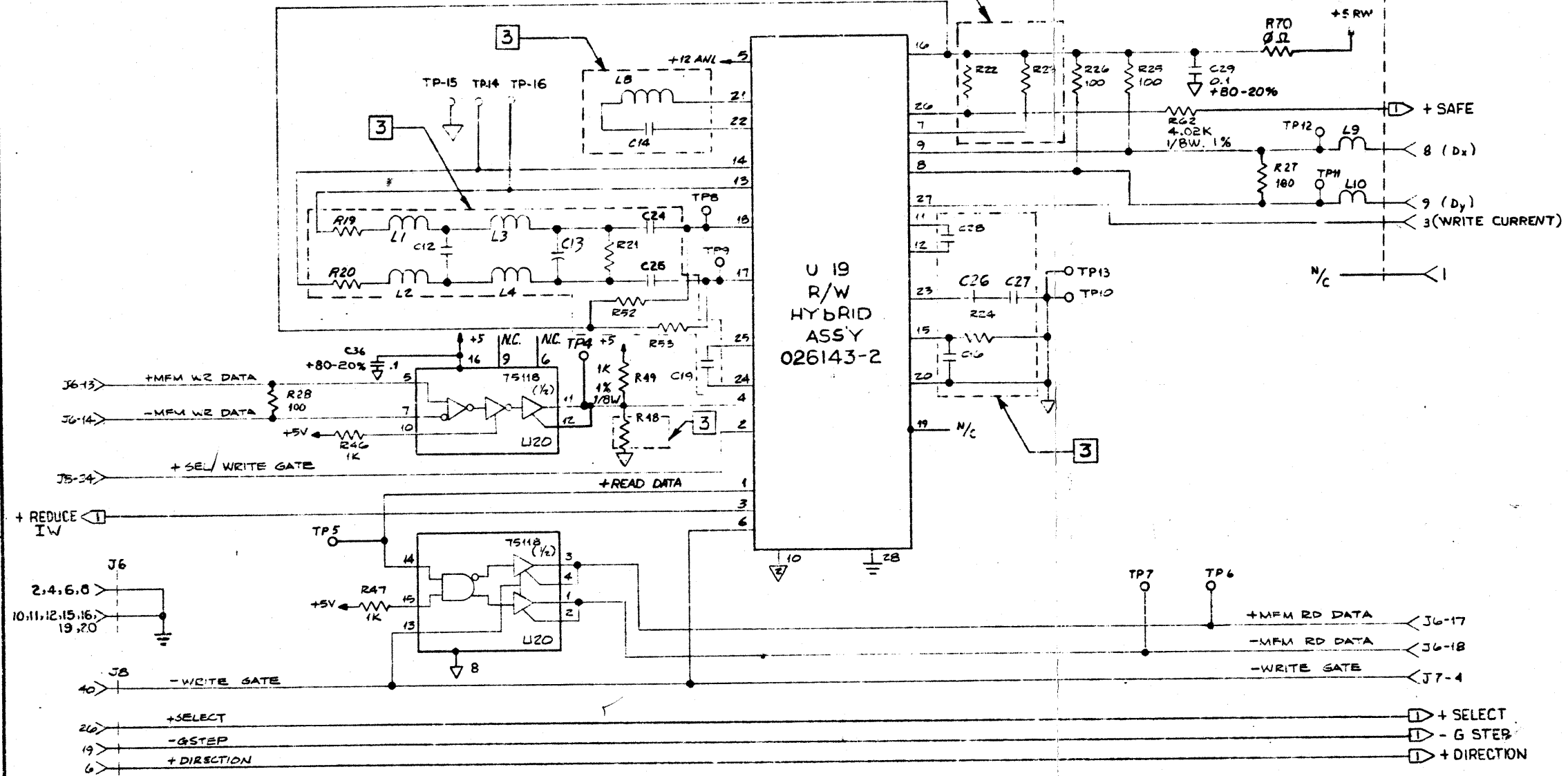
026159-3
USED ON ASM



J8 - 8, 17, ARE N/C
23, 14, 27, 38

MUST CONFORM TO ENGINEERING SPEC. ES 30000-0		SHUGART ASSOCIATES	
MATERIAL	TOLERANCE UNLESS OTHERWISE NOTED	TITLE	CONTROL, PCB SCH.
PRODUCT	LINEAR ± XX ANGULAR ± XXX	DWN	RELEASED FOR ASSEMBLY
CASE DEPTH		CHR	DA-226141-4
HARDNESS		APR	SHEET 07
SURFACE TREATMENT	ES	SCALE	SC 026159-3 6025

HD0 = L L L IF TRP
 HD1 = H L L 2F
 HD2 = L H L 3F
 HD3 = H H L IF



LAST USED		NOT USED	
CAP.	C 39	INDUCTOR	L10
IC	U 20	XSTR	Q7
RES.	R 70	TEST POINTS	TP16
CONN.	J 10	RES. PACK	RP4
DIODE	CR11	CONN (PLUG)	P9
			CONN J9
			IC, U2, 3, 8, 11, 12, 13, 14, 15, 16, 17, 18
			RES PACK, RP2, RP3
			L5, L6, L7

MUST CONFORM TO ENGINEERING SPEC. ES 3000-0		SHUGART ASSOCIATES	
MATERIAL	TOLEANCE UNLESS OTHERWISE NOTED	TITLE	CONTROL, PCB, SCH.
CASE DEPTH	LINEAR = .XX	DWN	RELEASED FOR ASSEMBLY
HARDNESS	ANGULAR = .XXX	CHK	
SURFACE TREATMENT	ES	APR	SHEET 2 OF 2
	CORNERS BROKEN	SCALE	DOC CODE
	OUTSIDE MAX	D	PART NO
	INSIDE MAX		026159-3 6025