

# PUNCH PARTS LIST

Contents

Punch Indexing Parts

Punch Mechanism Parts

Page

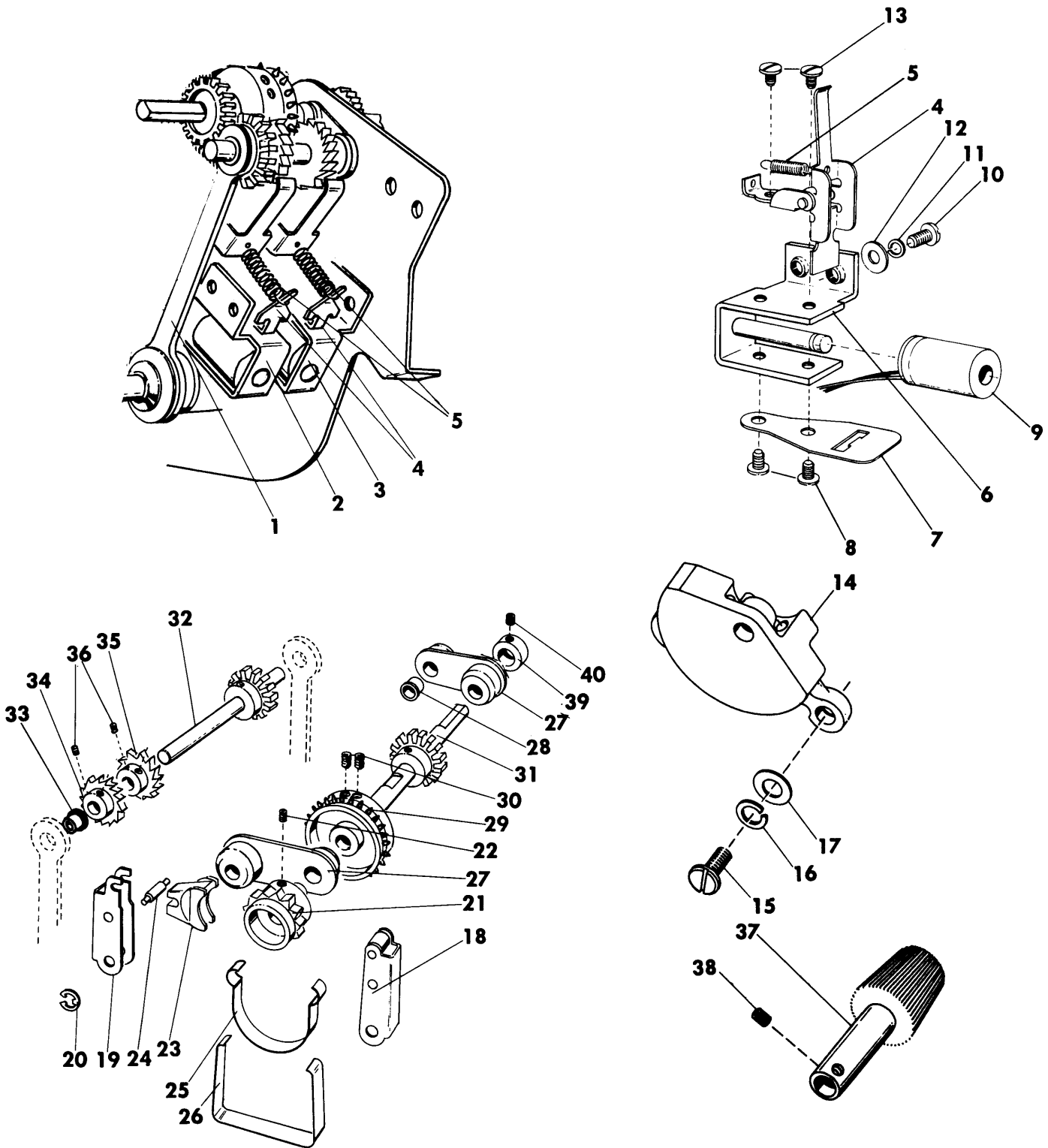
PPL5-2 & 3

PPL5-4 thru 11

## O.E.M. PRODUCTS DIVISION

AUTOMATED BUSINESS SYSTEMS, A DIVISION OF LITTON INDUSTRIES  
600 WASHINGTON AVENUE, CARLSTADT, N. J. 07072

PUNCH INDEXING PARTS



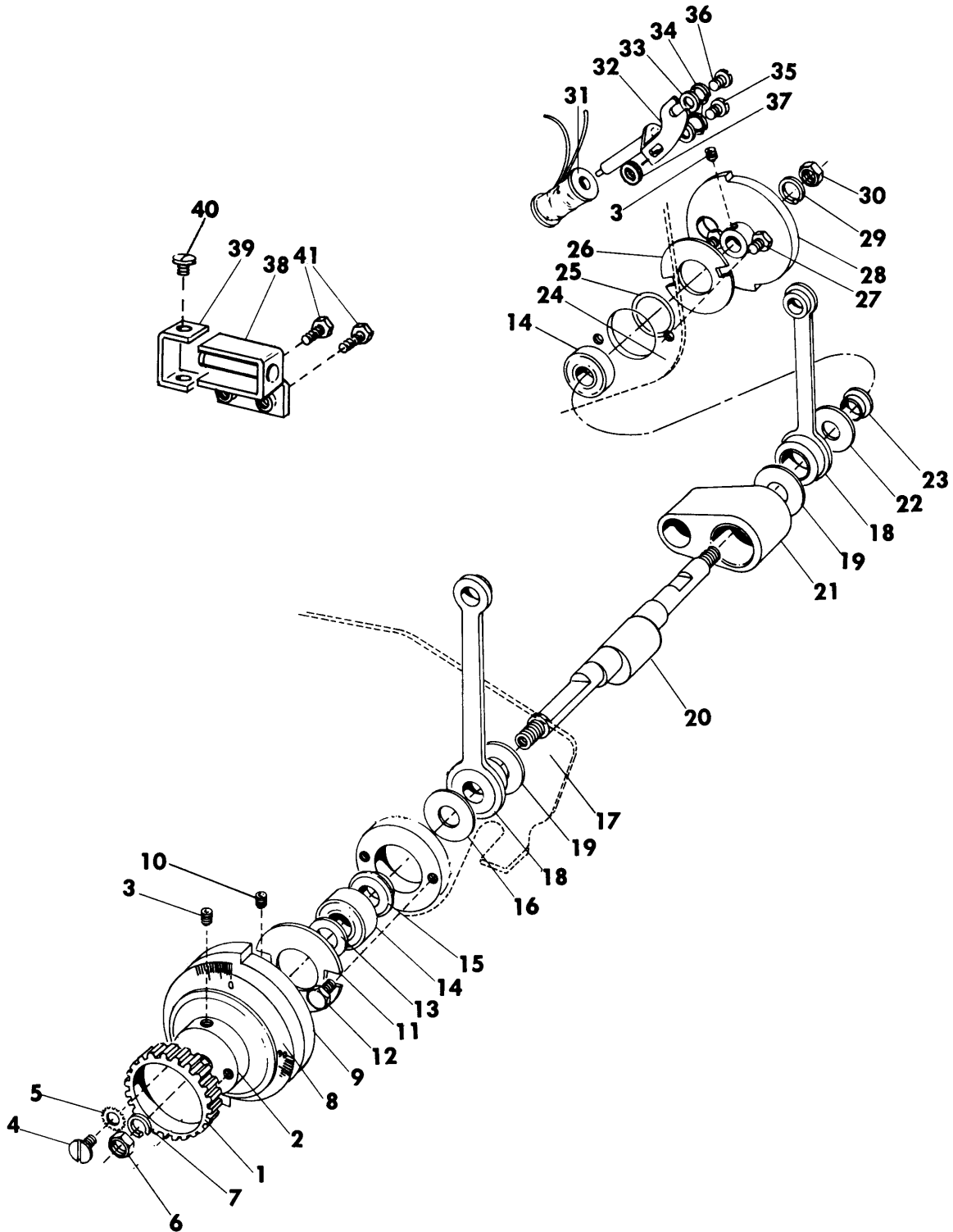
PUNCH INDEXING PARTS

<u>Ref.</u> <u>No.</u>	<u>Part No.</u>	<u>Description</u>	<u>Models</u>
(1)	1631-00171	Punch Index Link Assembly.....	500#
(2)	1631-00271	Forward Index Magnet Complete (24V).....	500#
	1682-00120	Forward Index Magnet Complete (48V).....	500#
(3)	1631-00321	Reverse Index Magnet Complete (24V).....	500#
	1682-00110	Reverse Index Magnet Complete (48V).....	500#
(4)	1631-00280	Forward Index Magnet Armature Assembly.....	500#
	1631-00330	Reverse Index Magnet Armature Assembly.....	500#
(5)	1A7-1059	Index Magnet Armature Spring.....	500#
(6)	1631-00310	Forward Magnet Shell Assy.....	500#
	1631-00360	Reverse Magnet Shell Assy.....	500#
(7)	1631-10690	Punch Armature Limit.....	500#
(8)	1A1-1296	Armature Limit Binding Screw (4-48).....	500#
(9)	1A8-1564	Index and Pin Retract Coil (45 OHM)(24V).....	500#
	1A8-1901	Index and Pin Retract Coil (168 OHM)(48V).....	500#
(10)	Z4240	Index Magnet Assembly Binding Screw (6-40).....	500#
(11)	P11064	Index Magnet Assembly Binding Screw Lockwasher.....	500#
(12)	2972-01200	Index Magnet Assembly Binding Screw Washer.....	500#
(13)	1A1-1296	Interposer Pivot Arm Binding Screw (4-48).....	500#
(14)	1631-00370	Ball Detent Housing Complete.....	500#
(15)	4273	Ball Detent Housing Mounting Screw (6-40).....	500#
(16)	P11064	Ball Detent Housing Mounting Screw Lockwasher.....	500#
(17)	2972-01200	Ball Detent Housing Mounting Screw Washer.....	500#
(18)*	1631-00072	Detent Arm & Roll Assembly.....	500#
(19)*	1631-00081	Detent Arm Assembly.....	500#
(20)*	3300-00780	Detent Arm Retaining Ring.....	500#
(21)	1631-10101	Detent Wheel.....	500#
(22)	1A1-1234	Detent Wheel Set Screw (3-56).....	500#
(23)*	1631-10080	Detent Friction Shoe.....	500#
(24)*	1A2-1088	Detent Friction Shoe Pivot.....	500#
(25)*	1631-10260	Detent Spring.....	500#
(26)*	1632-10360	Detent Damping Spring.....	500#
(27)	1631-10550	Ratchet Shaft Pivot Link.....	500#
(28)	1B1-1025A	Ratchet Shaft Pivot Link Bearing.....	500#
(29)	1631-10120	Tape Feed Sprocket.....	500#
(30)	1A1-1303	Tape Feed Sprocket Set Screw (4-40).....	500#
(31)	1631-00241	Sprocket Shaft & Gear Assembly (Long).....	500#
	* 1631-00052	Sprocket Shaft & Gear Assembly (Short).....	500#
(32)	1631-00062	Ratchet Shaft & Gear Assembly.....	500#
(33)	1B1-1025A	Index Link Bearing.....	500#
(34)	1631-10171	Reverse Tape Feed Ratchet.....	500#
(35)	1631-10161	Forward Tape Feed Ratchet.....	500#
(36)	1A1-1234	Forward & Reverse Tape Feed Ratchet Set Screw (3-56).....	500#
(37)	1601-00580	Punch Sprocket Knob Assembly.....	500#
(38)	3071-06300	Punch Sprocket Knob Set Screw (4-48).....	500#
(39)	2951-51500	Sprocket Knob Coupling.....	500#
(40)	3071-09000	Sprocket Knob Coupling Set Screw (4-40).....	500#

# Parts are also used on Corresponding Advance Feed Hole Models

\* Parts available for earlier Models

PUNCH MECHANISM PARTS



PUNCH MECHANISM PARTS

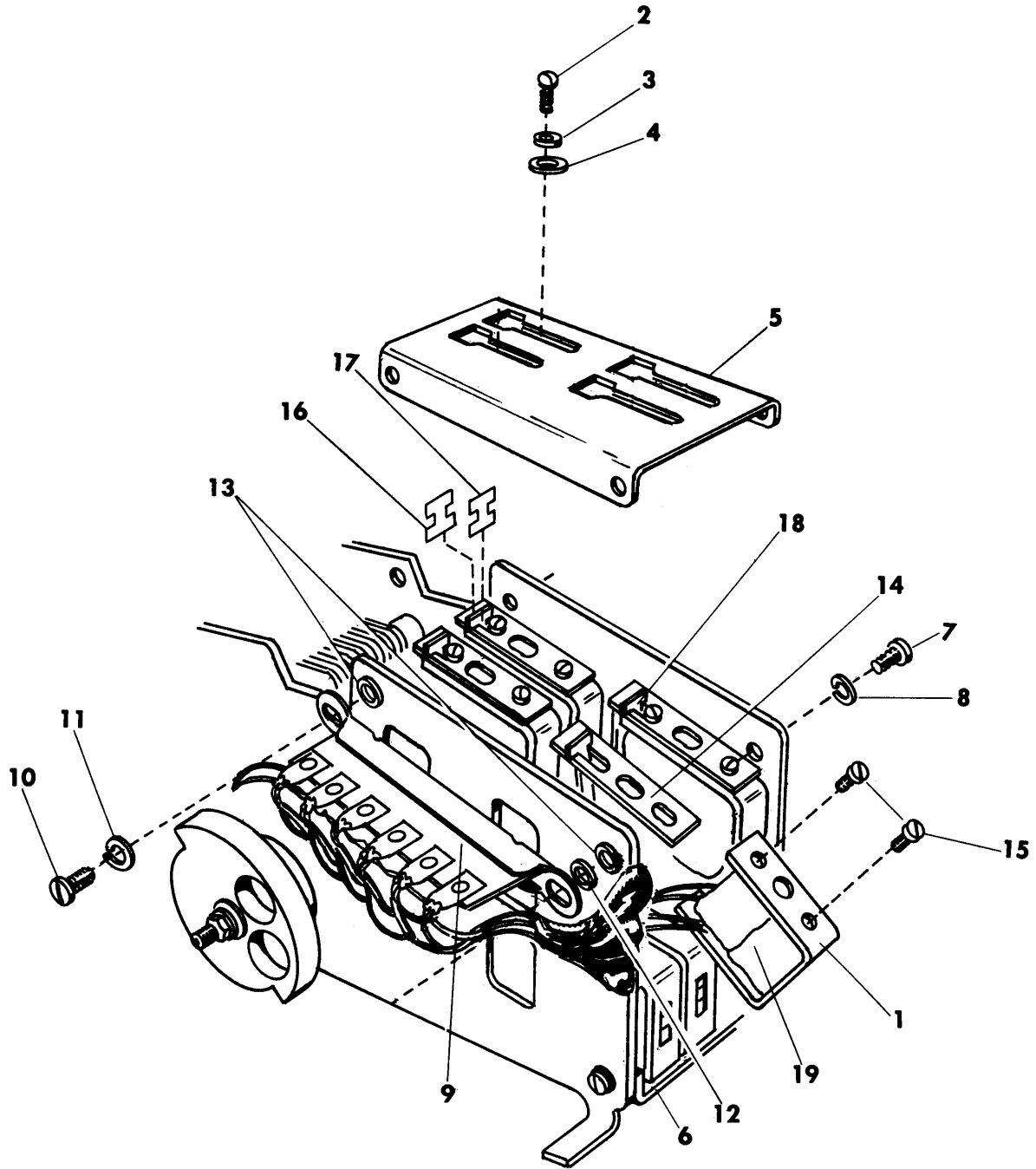
<u>Ref.</u> <u>No.</u>	<u>Part No.</u>	<u>Description</u>	<u>Models</u>
(1)	1631-10180	Input Shaft Pulley (18 Teeth).....	500#
(2)	1631-10210	Input Shaft Pulley Hub.....	500#
(3)	1A1-1031	Input Shaft Pulley Hub Set Screw (6-40).....	500#
(4)	Z4262	Input Shaft Pulley Screw (6-40).....	500#
(5)	1A6-1106	Input Shaft Pulley Screw Lockwasher.....	500#
(6)	Z4453	Punch Input Shaft Binding Nut (8-36).....	500#
(7)	1A6-1041	Punch Input Shaft Binding Nut Lockwasher.....	500#
(8)	1B9-1026B	Punch Timing Dial Label.....	500#
(9)**	1601-11120	Punch Counterweight Generator Disc (Right).....	500#
(10)	3071-06300	Counterweight Generator Disc Set Screw (4-48).....	500#
	* 1A1-1031	Counterweight, Gen. Disc and Hub Set Screw (6-40).....	500#
(11)	1A6-1278A	Input Shaft Bearing Retaining Washer.....	500#
(12)	4504	Input Shaft Bearing Binding Screw (4-48).....	500#
(13)	1A6-1135	Punch Counterweight Generator Disc Washer.....	500#
(14)	1B1-1024	Input Shaft Bearing (Right & Left).....	500#
(15)	1A6-1260A	Input Shaft Spacer (Right).....	500#
(16)	1A6-1267B	Input Shaft Washer (Outer Right).....	500#
(17)*	1601-00223	Punch Side Plate Right w/Bearings.....	500#
	1601-00516	Punch Side Plate Right w/Bearings (Ball Detent).....	500#
(18)	1631-00171	Index Link Assembly.....	500#
(19)	1A6-1272A	Input Shaft Washer (Inner).....	500#
(20)	1601-10405	Punch Input Shaft.....	500#
(21)	1601-00366	Punch Drive Link Assembly.....	500#
(22)	1A6-1292	Input Shaft Spacer (Left Inner).....	500#
(23)	1A6-1291	Input Shaft Spacer (Left).....	500#
(24)*	1601-00232	Punch Side Plate Left w/Bearings.....	500#
	1601-00495	Punch Side Plate Left w/Bearings (Ball Detent).....	500#
(25)	1A6-1274A	Input Shaft Bearing Seal Left.....	500#
(26)	1A6-1263	Input Shaft Bearing Seal Left Retaining Washer.....	500#
(27)	4504	Input Shaft Bearing Seal Retaining Screw (4-48).....	500#
(28)**	1601-10515	Punch Counterweight Generator Disc (Left).....	500#
(29)	1A6-1041	Input Shaft Binding Nut Lockwasher.....	500#
(30)	Z4453	Input Shaft Binding Nut (8-36).....	500#
(31)	1A8-1615	Pulse Generator Magnet & Choke Coil.....	500#
(32)	1611-00240	Pulse Generator Magnet Bracket Assembly.....	500#
(33)	2972-01200	Pulse Generator Magnet Bracket Screw Washer.....	500#
(34)	P11064	Pulse Generator Magnet Brkt. Screw Lockwasher.....	500#
(35)	3071-12500	Pulse Generator Magnet Brkt. Screw (6-40)(Front).....	500#
(36)	4273	Pulse Generator Brkt. Screw (6-40)(Rear).....	500#
(37)	2193	Pulse Generator Brkt. Spacer (Optional).....	500#
(38)	1631-00101	Magnet Shell Assembly (Right).....	500#
(39)	1631-10531	Pulse Generator Choke Bracket.....	500#
(40)	1A1-1296	Pulse Generator Choke Bracket Screw (4-48).....	500#
(41)	4132	Pulse Generator Magnet Shell Screw (4-40).....	500#

\*\* NOTE: If necessary to replace a Generator Disc on Units prior to Serial No. 500-1978, both Generator Discs must be replaced with the new Generator Discs (1601-10515) and/or (1601-11120).

# Parts are also used on Corresponding Advance Feed Hole Models

\* Parts available for earlier Models

PUNCH MECHANISM PARTS (Continued)



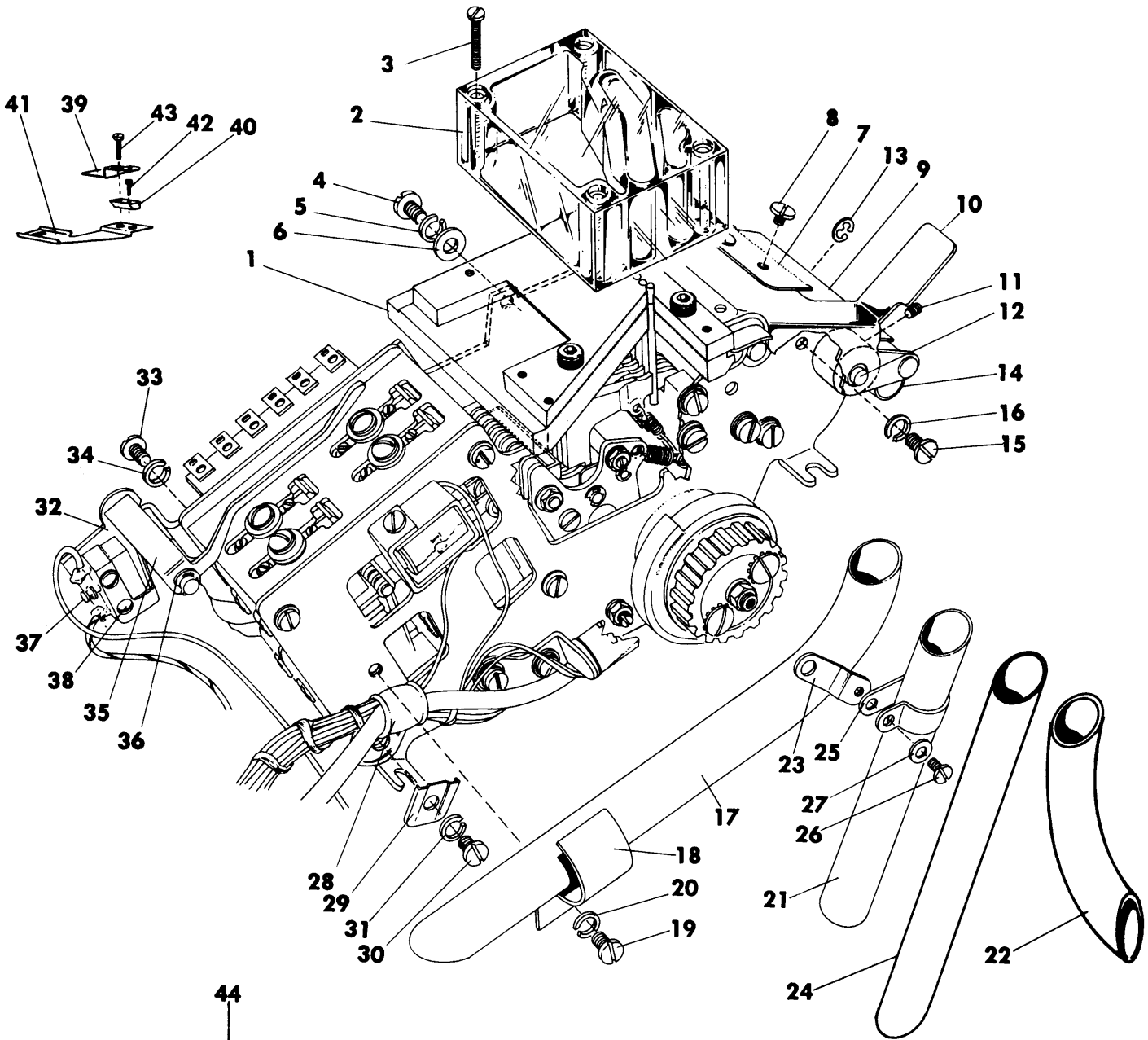
PUNCH MECHANISM PARTS (Continued)

<u>Ref. No.</u>	<u>Part No.</u>	<u>Description</u>	<u>Models</u>
(1)	1601-00053	Punch Magnet Upper Assembled w/Short Link (24V).....	500#
	1601-00063	Punch Magnet Lower Assembled w/Short Link (24V).....	500#
	1601-00073	Punch Magnet Upper Assembled w/Long Link (24V).....	500#
	1601-00083	Punch Magnet Lower Assembled w/Long Link (24V).....	500#
	1682-00011	Punch Magnet Upper Assembled w/Short Link (48V).....	500#
	1682-00021	Punch Magnet Lower Assembled w/Short Link (48V).....	500#
	1682-00031	Punch Magnet Upper Assembled w/Long Link (48V).....	500#
	1682-00041	Punch Magnet Lower Assembled w/Long Link (48V).....	500#
(2)	4273	Punch Magnet Binding Screw (6-40).....	500#
(3)	P11064	Punch Magnet Binding Screw Lockwasher.....	500#
(4)	2193	Punch Magnet Binding Screw Washer.....	500#
(5)	1601-10260	Punch Magnet Bracket (Upper).....	500#
(6)	1601-10270	Punch Magnet Bracket (Lower).....	500#
(7)	Z4129	Punch Magnet Bracket Binding Screw (6-40).....	500#
(8)	P11064	Punch Magnet Bracket Binding Screw Lockwasher.....	500#
(9)	1A8-1569A	Punch Magnet Terminal Strip.....	500#
(10)	Z4240	Punch Terminal Strip Screw (6-40).....	500#
	3071-12500	Punch Terminal Strip Screw (6-40).....	500#
(11)	P11064	Punch Terminal Strip Screw Lockwasher.....	500#
(12)	1A6-1334	Terminal Strip Spacer (Optional).....	500#
(13)	1A6-1335	Terminal Strip and Spring Bracket Spacer..... (not used with Out-of-Tape Switch)	500#
(14)	1601-10080	Punch Magnet Armature Retainer.....	500#
(15)	1A1-1002	Punch Magnet Armature Retainer Screw (3-56).....	500#
(16)	1601-10130	Punch Magnet Armature Spacer.....	500#
(17)	1601-10330	Punch Magnet Armature Spring.....	500#
(18)	1601-00093	Punch Magnet Link Assy. w/Armature Short Upper.....	500#
	1601-00103	Punch Magnet Link Assy. w/Armature Short Lower.....	500#
	1601-00113	Punch Magnet Link Assy. w/Armature Long Upper.....	500#
	1601-00123	Punch Magnet Link Assy. w/Armature Long Lower.....	500#
(19)	1A8-1435A	Punch Magnet Coil (24V).....	500#
	1A8-1903	Punch Magnet Coil (48V).....	500#

# Parts are also used on Corresponding Advance Feed Hole Models

\* Parts available for earlier Models

PUNCH MECHANISM PARTS (Continued)



44  
Punch Out-of-Tape Switch Complete

<u>Ref. No.</u>	<u>Part No.</u>	<u>Description</u>	<u>Models</u>
(1)	1601-00035	Punch and Die Guide Assembled.....	500
	1661-00015	Punch and Die Guide Assembled (Advanced Feed Hole).....	501
(2)	1601-10251	Punch Cover.....	500#
(3)	1A1-1270	Punch Cover Binding Screw (3-56).....	500#
(4)	Z4240	Punch and Die Guide Assembled Mounting Screw (6-40).....	500#
(5)	PL1064	Punch and Die Guide Assembled Mounting Screw Lockwasher..	500#

Continued ....



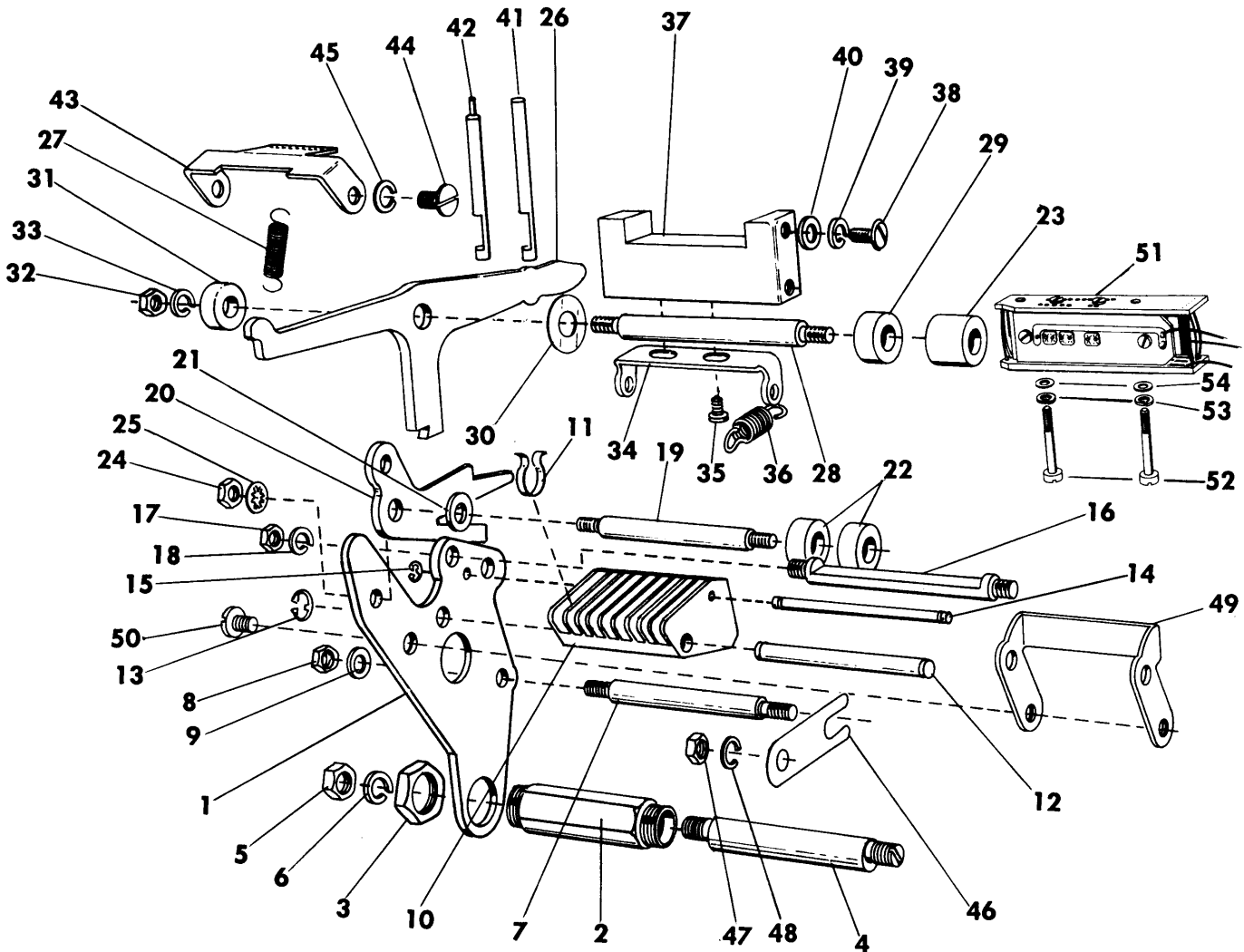
PUNCH MECHANISM PARTS (Continued)

<u>Ref.</u> <u>No.</u>	<u>Part No.</u>	<u>Description</u>	<u>Models</u>
(6)	2972-01200	Punch and Die Guide Assembled Mounting Screw Washer.....	500#
(7)	1601-10620	Punch Tape Cutter.....	500#
(8)	Z4168	Punch Tape Cutter Mounting Screw (3-56).....	500#
(9)*	1601-00183	Punch Platen Assembly.....	500#
	1601-00610	Punch Platen Assembly (Wide).....	500#
(10)	1601-00043	Punch Tape Deflector Assy.....	500#
(11)	1A1-1031	Punch Tape Deflector Set Screw (6-40).....	500#
(12)	1631-10420	Tape Deflector Pivot Rod.....	500#
(13)	Z2740	Tape Deflector Rod Retaining Ring.....	500#
(14)	1631-10110	Tape Deflector Spring.....	500#
(15)	Z4240	Punch Platen Assembly Mounting Screw (6-40).....	500#
(16)	P11064	Punch Platen Assembly Mounting Screw Lockwasher.....	500#
(17)	1601-10530	Chad Tube (Optional).....	500#
(18)	1601-10520	Chad Tube Clamp (Optional).....	500#
(19)	9E4098	Chad Tube Clamp Binding Screw (6-40)(Optional).....	500#
(20)	P11064	Chad Tube Clamp Binding Screw Lockwasher (Optional).....	500#
(21)	1601-10830	Chad Tube (Optional)(Rear Disposal).....	500#
(22)	1601-11160	Chad Tube (Side Disposal)(Optional)(Desk).....	500#
(23)	1601-10860	Chad Tube Bracket Rear (Use w/Ref. 17 & 21).....	500#
	1662-10010	Chad Tube Bracket Rear (Use w/Ref. 22).....	500#
	1675-10210	Chad Tube Bracket Rear (Use w/Ref. 24).....	500#
(24)	1675-10500	Chad Tube (Rack Mounted Unit).....	500#
(25)	1A8-1641	Chad Tube Cable Clip (Use w/Ref. 22).....	500#
(26)	Z4240	Chad Tube Cable Clip Binding Screw (6-40).....	500#
(27)	2972-01200	Chad Tube Cable Clip Binding Screw Washer.....	500#
(28)	1A8-1237	Cable Clamp (3/8-6).....	500#
(29)	1A8-1381	Cable Clamp "D" Washer.....	500#
(30)	3071-12500	Cable Clamp Binding Screw (6-40).....	500#
(31)	P11064	Cable Clamp Binding Screw Lockwasher.....	500#
(32)	1601-00470	Out-of-Tape Switch Bracket Assembled (Optional).....	500#
(33)	3071-12500	Out-of-Tape Switch Bracket Binding Screw (6-40).....	500#
(34)	P11064	Out-of-Tape Switch Bracket Binding Screw Lockwasher.....	500#
(35)	1601-10770	Out-of-Tape Switch Blade (Optional).....	500#
(36)	Z2740	Out-of-Tape Switch Blade Retaining Ring.....	500#
(37)	1A8-1566	Micro Switch (Optional).....	500#
(38)	1A8-1555	Micro Switch Actuator w/Screws & Nuts (Optional).....	500#
(39)	1601-10651	Punch Tape Chute.....	500#
	1661-10050	Punch Tape Chute.....	501
(40)*	1601-10661	Punch Tape Chute Spacer.....	500#
	* 1601-10800	Punch Tape Chute Spacer (Out-of-Tape)(Optional).....	500#
(41)	1601-10790	Out-of-Tape Switch Hold Down (Optional).....	500#
	1675-10550	Out-of-Tape Switch Hold Down (Optional)(Small).....	500#
(42)	4295	Punch Tape Chute Spacer Binding Screw (3-56).....	500#
		Out-of-Tape Switch Hold Down Screw (Optional).....	500#
(43)	1A1-1051	Punch Tape Chute Binding Screw (Long).....	500#
	Y4071	Punch Tape Chute Binding Screw (Short).....	500#
(44)		Punch Out-of-Tape Switch Complete (To order, specify complete part name) w/Ref. (32-35-36-37-38).....	500#

# Parts are also used on Corresponding Advance Feed Hole Models

\* Parts available for earlier Models

PUNCH MECHANISM PARTS (Continued)



<u>Ref. No.</u>	<u>Part No.</u>	<u>Description</u>	<u>Models</u>
(1)	1601-11090	Punch Pawl Yoke Side Plate.....	500#
*	1601-10463	Punch Pawl Yoke Side Plate.....	500#
(2)	1601-10092	Punch Pawl Yoke Bushing.....	500#
(3)	1A5-1009A	Punch Pawl Yoke Bushing Nut (3/8-24).....	500#
(4)	1601-10240	Punch Pawl Yoke Eccentric.....	500#
(5)	Z4453	Punch Pawl Yoke Eccentric Binding Nut (8-36).....	500#
(6)	1A6-1041	Punch Pawl Yoke Eccentric Binding Nut Lockwasher.....	500#
(7)	1601-10475	Punch Drive Link Pin.....	500#
(8)	1A5-1027	Punch Drive Link Pin Binding Nut (4-40).....	500#
(9)	1812	Punch Drive Link Pin Binding Nut Lockwasher.....	500#
(10)	1601-10320	Punch Pawl Guide.....	500#
(11)	1601-10354	Punch Pawl Spring.....	500#
(12)	1601-10410	Pawl Rest.....	500#

Continued ....

PUNCH MECHANISM PARTS (Continued)

<u>Ref.</u> <u>No.</u>	<u>Part No.</u>	<u>Description</u>	<u>Models</u>
(13)	3075-00200	Pawl Rest Retaining Ring.....	500#
(14)	1601-10391	Punch Pawl Over-Centering Spring Rod.....	500#
(15)	1A6-1246	Punch Pawl Over-Centering Spring Rod Retaining Ring.....	500#
(16)	1601-10682	Punch Stripper.....	500#
(17)	1A5-1027	Punch Stripper Retaining Nut (4-40).....	500#
(18)	1812	Punch Stripper Retaining Nut Lockwasher.....	500#
(19)	1601-10480	Punch Pawl Pivot.....	500#
(20)	1601-10105	Punch Pawl.....	500#
	* 1601-10102	Punch Pawl.....	500#
(21)	1601-10490	Punch Pawl Spacer.....	500#
(22)	1A6-1242	Punch Pawl Spacer (Advanced Feed Hole).....	501
(23)	1A6-1300B	Punch Pawl Spacer Right (Advanced Feed Hole).....	501
(24)	1A5-1027	Punch Pawl Pivot Nut (4-40).....	500#
(25)	1812	Punch Pawl Pivot Nut Lockwasher.....	500#
(26)	1601-10586	Punch Arm (Long).....	500
	* 1601-10582	Punch Arm (Short).....	500
	1661-10015	Punch Arm (Advanced Feed Hole) (Long).....	501
	* 1661-10011	Punch Arm (Advanced Feed Hole) (Short).....	501
(27)	1A7-1044	Punch Arm Spring (Parity).....	500#
	1A7-1045	Punch Arm Spring (All Arms w/o Parity).....	500#
	* 1A7-1038	Punch Arm Spring.....	500#
(28)	1601-10440	Punch Arm Pivot.....	500#
(29)	1A6-1242	Punch Arm Spacer (Right).....	500#
(30)	1601-10435	Punch Arm Spacer (Center).....	500#
(31)	1A6-1243B	Punch Arm Spacer (Left).....	500#
(32)	1A5-1027	Punch Arm Pivot Binding Nut (4-40).....	500#
(33)	1812	Punch Arm Pivot Binding Nut Lockwasher.....	500#
(34)	1601-10695	Punch Yoke Spring Anchor.....	500#
	* 1601-10693	Punch Yoke and Punch Arm Spring Anchor.....	500#
(35)	3300-06440	Spring Anchor Binding Screw (3-56).....	500#
(36)	1A7-1042A	Punch Pawl Yoke Spring.....	500#
(37)	1601-10232	Punch Arm Stop.....	500#
(38)	Z4240	Punch Arm Stop Mounting Screw (6-40).....	500#
(39)	P11064	Punch Arm Stop Mounting Screw Lockwasher.....	500#
(40)	2972-01200	Punch Arm Stop Mounting Screw Washer.....	500#
(41)	1601-10571	Punch.....	500#
(42)	1601-10562	Index Punch.....	500#
(43)	1601-10971	Punch Arm Spring Anchor Bracket.....	500#
(44)	3071-12500	Punch Arm Spring Bracket Screw (6-40).....	500#
(45)	P11064	Punch Arm Spring Bracket Screw Lockwasher.....	500#
(46)	1601-11150	Yoke Assembly Shim (.003 Optional).....	500#
(47)	9E4451	Yoke Assembly Shim Nut (6-40).....	500#
(48)	P11064	Yoke Assembly Shim Lockwasher.....	500#
(49)*	1601-10750	Punch Driver Arm Pawl Limit Stop.....	500#
(50)*	P4144	Punch Driver Arm Pawl Limit Stop Binding Screw (4-48)....	500#
(51)	1601-00545	Error Detector Block Assem. (Parity).....	500#
(52)	1A1-1311	Error Detector Block Assem. Mounting Screw (6-40).....	500#
(53)	P11064	Error Detector Block Assem. Mounting Screw Lockwasher....	500#
(54)	1A6-1338	Error Detector Block Assem. Mounting Screw Washer.....	500#

# Parts are also used on Corresponding Advance Feed Hole Models

\* Parts available for earlier Models

NOTES