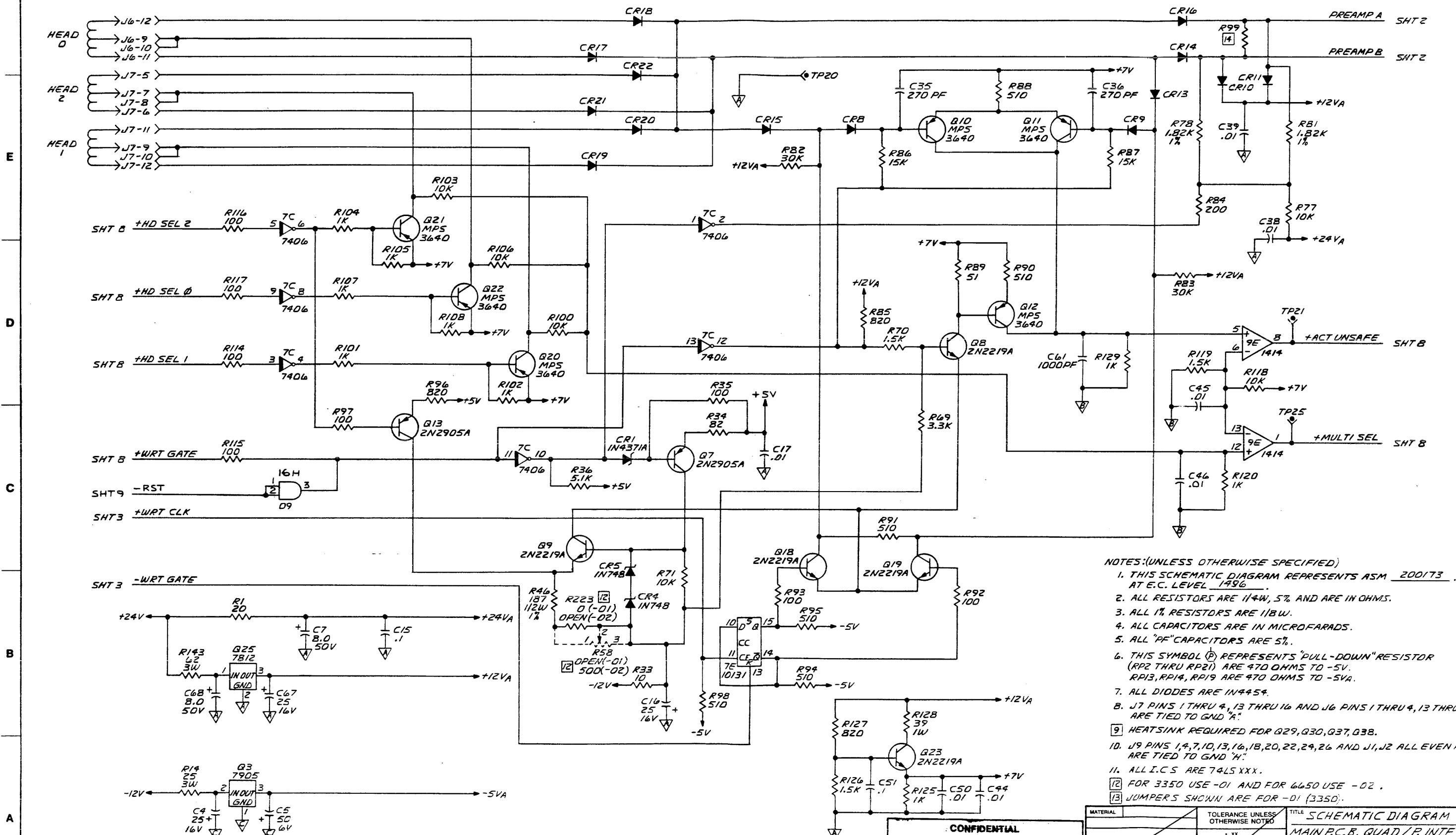


DATE	E/C NO.	DATE	E/C NO.	
5-22-54	1331			200174
1-15-81	1454			RELEASED FOR ASSEMBLY
1-15-81	1496			200173



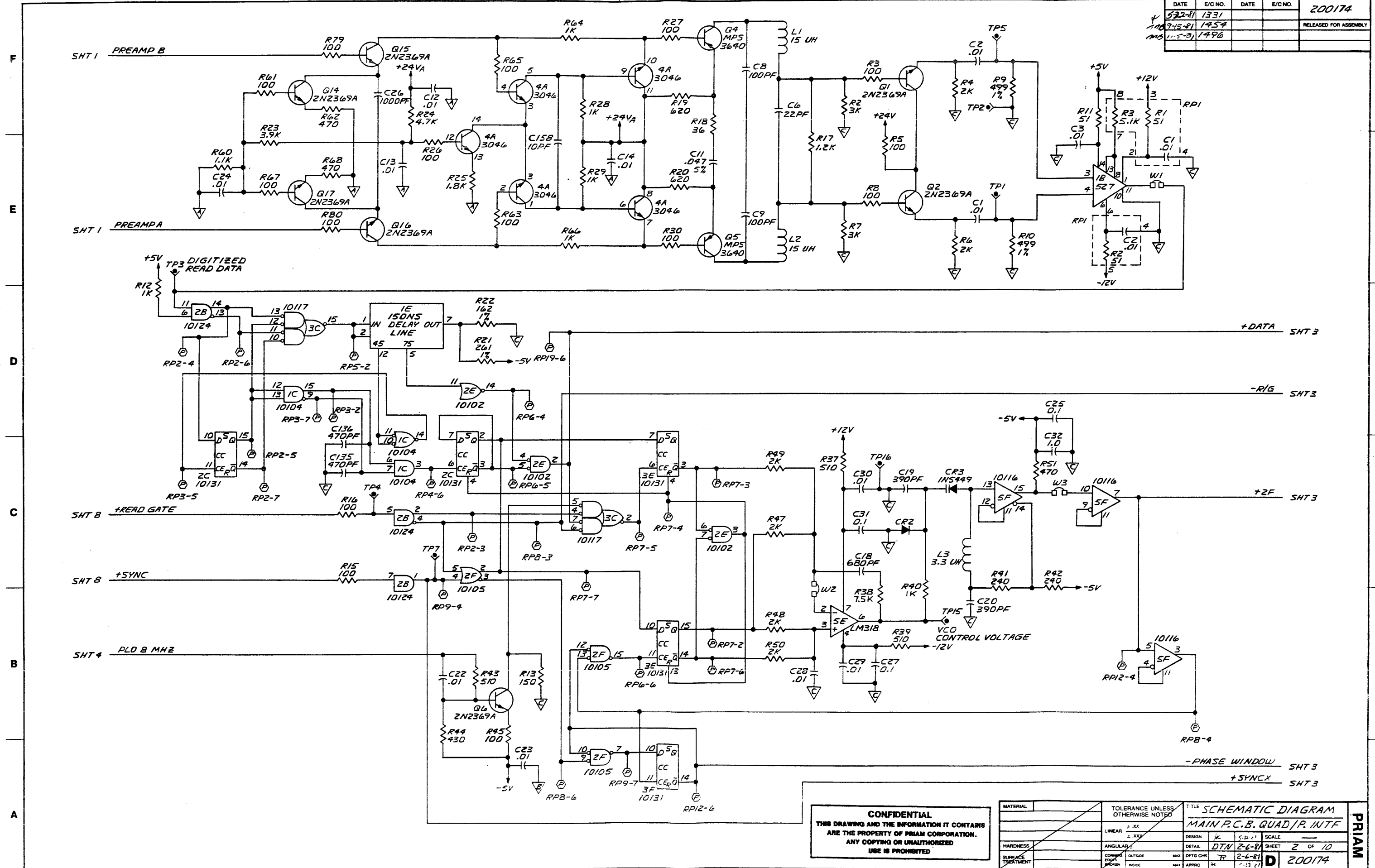
- NOTES: (UNLESS OTHERWISE SPECIFIED)
1. THIS SCHEMATIC DIAGRAM REPRESENTS ASM 200173 AT E.C. LEVEL 1496.
 2. ALL RESISTORS ARE 1/4W, 5% AND ARE IN OHMS.
 3. ALL 1% RESISTORS ARE 1/8W.
 4. ALL CAPACITORS ARE IN MICROFARADS.
 5. ALL "PF" CAPACITORS ARE 5%.
 6. THIS SYMBOL (P) REPRESENTS "PULL-DOWN" RESISTOR (RP2 THRU RP21) ARE 470 OHMS TO -5V. RP13, RP14, RP19 ARE 470 OHMS TO -5VA.
 7. ALL DIODES ARE IN4959.
 8. J7 PINS 1 THRU 4, 13 THRU 16 AND J6 PINS 1 THRU 4, 13 THRU 16 ARE TIED TO GND "A".
 9. HEATSINK REQUIRED FOR Q29, Q30, Q37, Q38.
 10. J9 PINS 1, 4, 7, 10, 13, 16, 18, 20, 22, 24, 26 AND J1, J2 ALL EVEN PINS ARE TIED TO GND "H".
 11. ALL I.C.S ARE 74LS XXX.
 12. FOR 3350 USE -01 AND FOR 6450 USE -02.
 13. JUMPERS SHOWN ARE FOR -01 (3350).

1A FOR -01 USE 1K, FOR -02 USE 430.

CONFIDENTIAL
THIS DRAWING AND THE INFORMATION IT CONTAINS ARE THE PROPERTY OF PRIAM CORPORATION. ANY COPYING OR UNAUTHORIZED USE IS PROHIBITED.

MATERIAL	TOLERANCE UNLESS OTHERWISE NOTED	TITLE	PRIAM
LINEAR ± XX	ANGULAR ± XXX	DESIGN	SCALE
HARDNESS	DETAIL	DTN	SHEET 1 OF 10
SURFACE TREATMENT	COMPL. EDGE BURNED	OUTSIDE MAX	DFTG CHR
	INSIDE MAX	APPRO	2-6-81
			D 200174

DATE	E/C NO.	DATE	E/C NO.	200174
5-22-81	1331			
7-15-81	1454			RELEASED FOR ASSEMBLY
MS 11-5-81	1496			

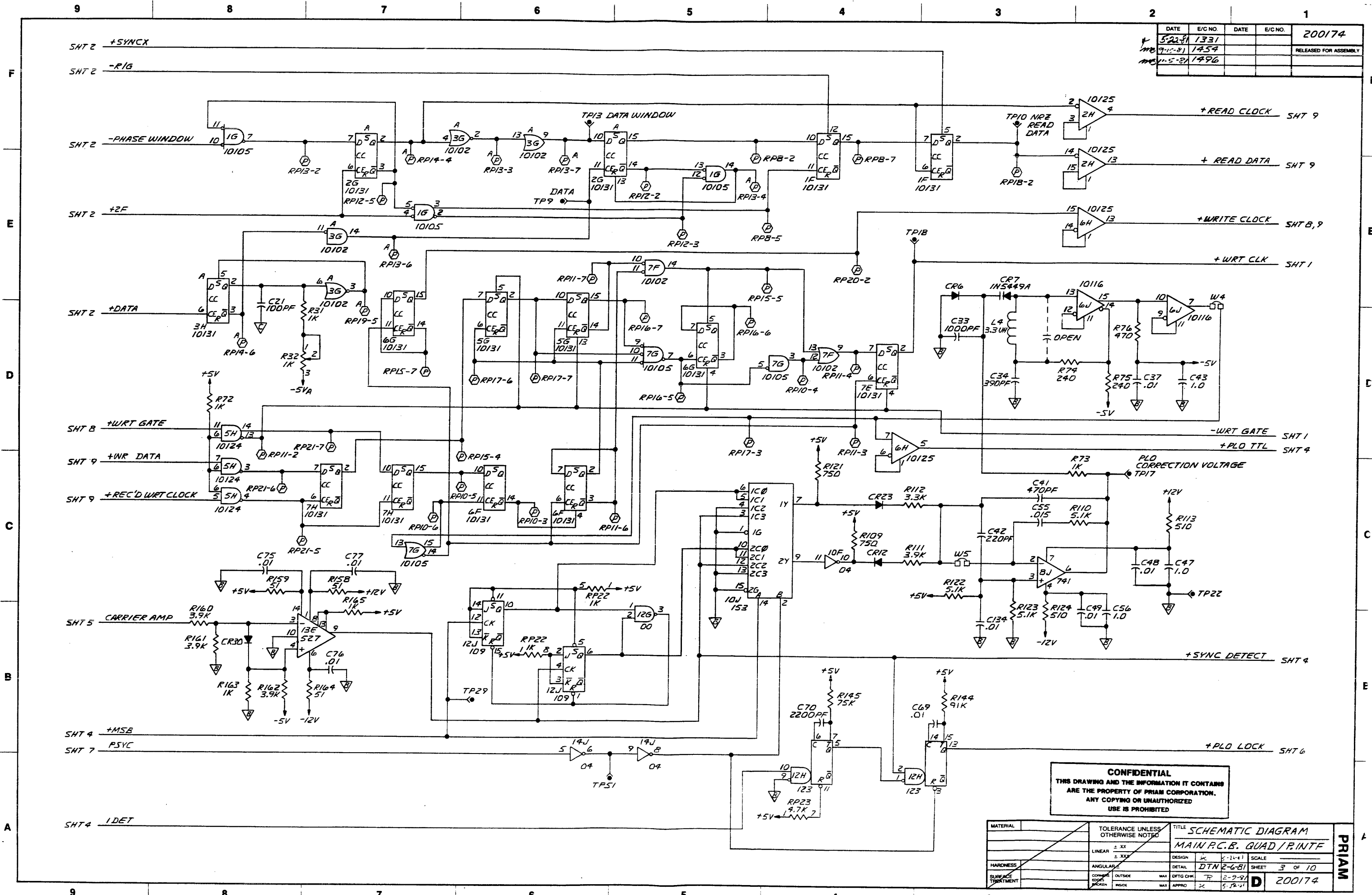


CONFIDENTIAL
 THIS DRAWING AND THE INFORMATION IT CONTAINS
 ARE THE PROPERTY OF PRIAM CORPORATION.
 ANY COPYING OR UNAUTHORIZED
 USE IS PROHIBITED

MATERIAL	TOLERANCE UNLESS OTHERWISE NOTED	TITLE	SHEET
	LINEAR ± XX	SCHMATIC DIAGRAM	2 OF 10
	ANGULAR ± XXX	MAIN P.C.B. QUAD/P. INTF	
HARDNESS	OUTSIDE MAX	DESIGN	DTN 2-6-81
SURFACE TREATMENT	INSIDE MAX	DFTG CHR	2-6-81
		APPRO	D 200174

PRIAM

DATE	E/C NO.	DATE	E/C NO.	200174
5-22-81	1331			
9-15-81	1454			RELEASED FOR ASSEMBLY
11-5-81	1496			

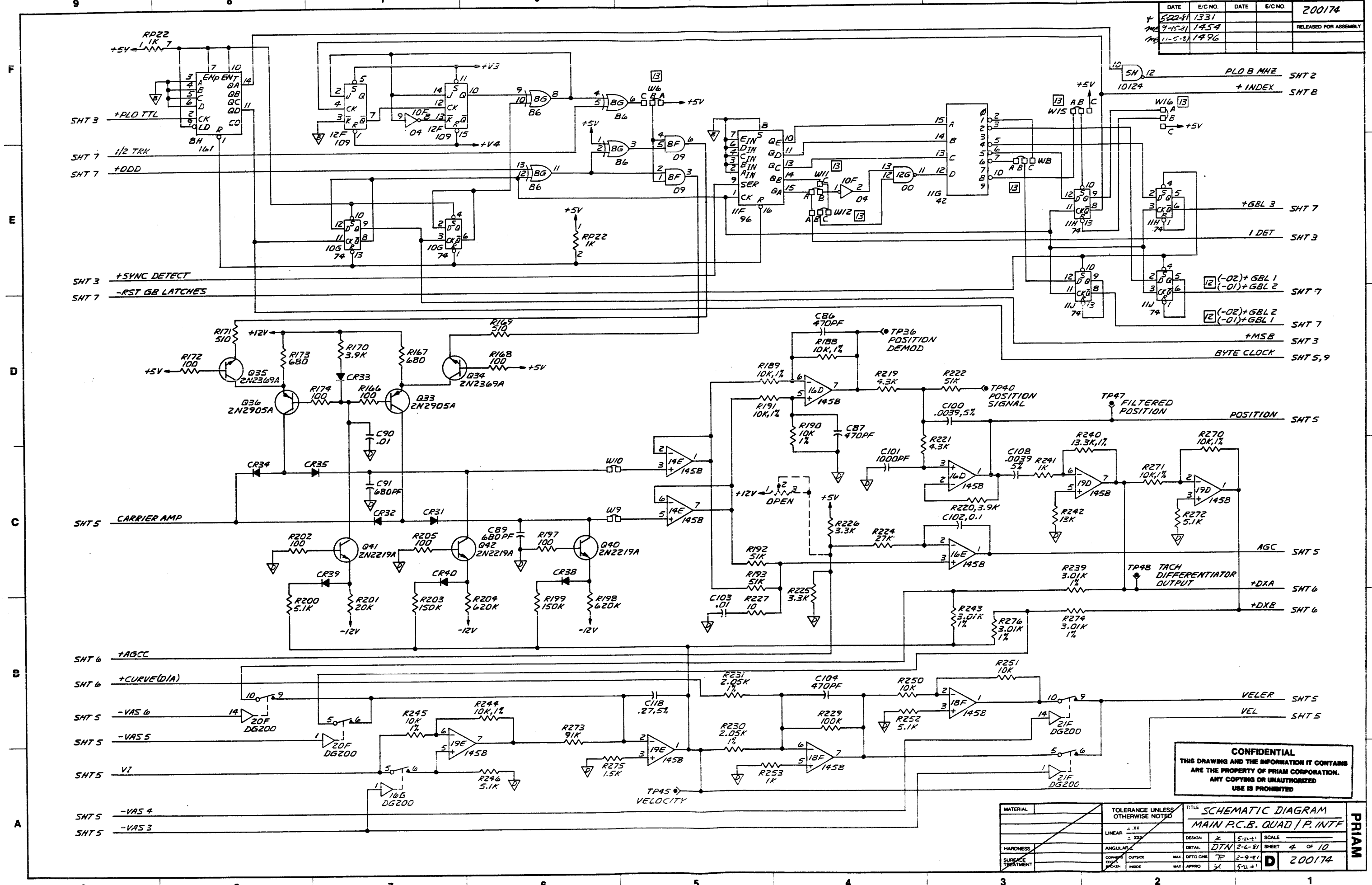


CONFIDENTIAL
 THIS DRAWING AND THE INFORMATION IT CONTAINS
 ARE THE PROPERTY OF PRIAM CORPORATION.
 ANY COPYING OR UNAUTHORIZED
 USE IS PROHIBITED

MATERIAL	TOLERANCE UNLESS OTHERWISE NOTED	TITLE	SCALE
	2. XX	SCHMATIC DIAGRAM	
	3. XX	MAIN R.C.B. QUAD/PRINT	
HARDNESS	ANGULAR	DESIGN	SCALE
SURFACE TREATMENT	OUTSIDE	DETAIL	SCALE
	INSIDE	DFTG CHK	SCALE
		MAX	SCALE
		APPRO	SCALE

PRIAM

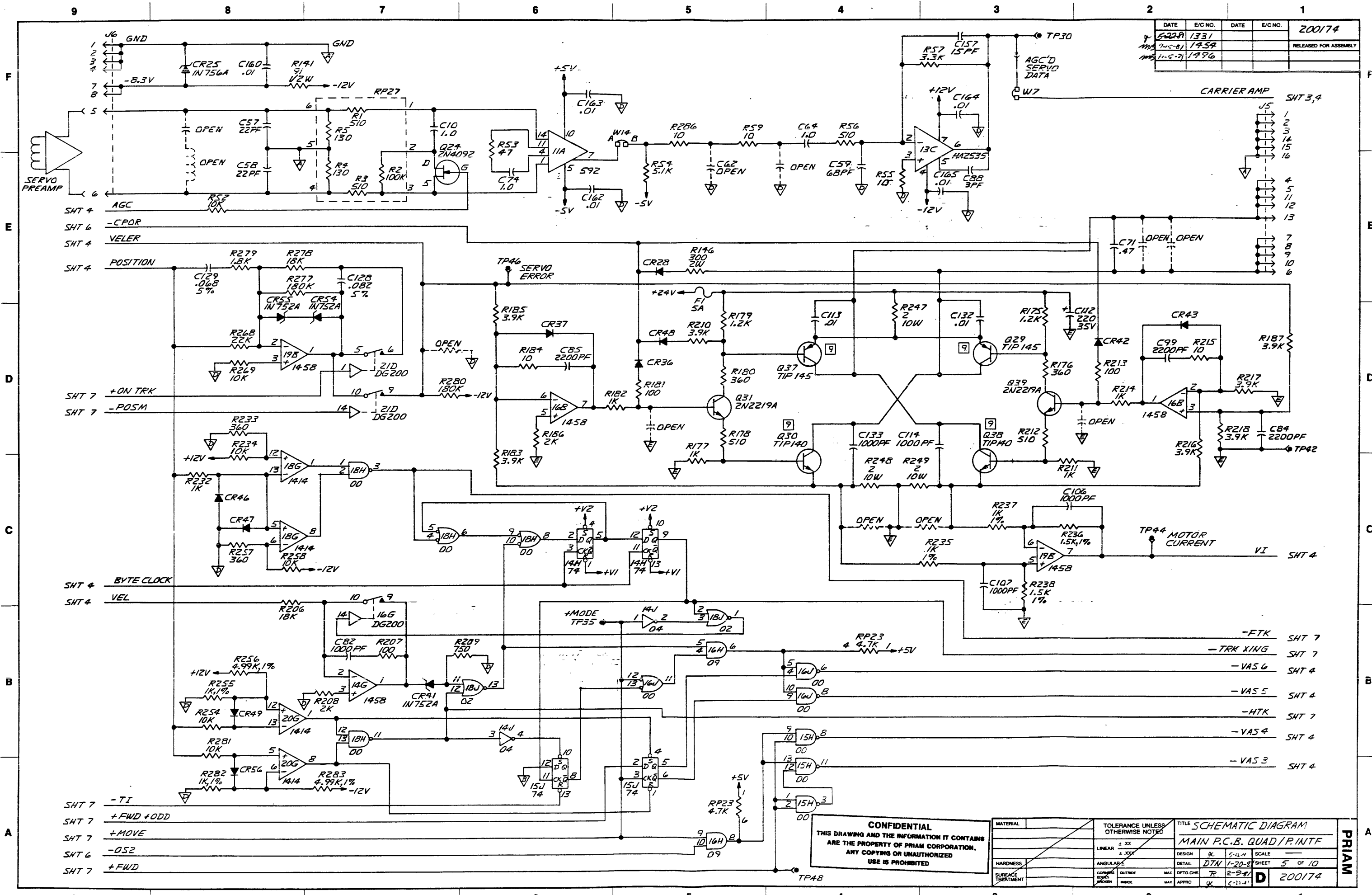
DATE	E/C NO.	DATE	E/C NO.	200174
5-22-81	1331			
7-15-81	1454			RELEASED FOR ASSEMBLY
11-5-81	1496			



CONFIDENTIAL
 THIS DRAWING AND THE INFORMATION IT CONTAINS
 ARE THE PROPERTY OF PRIAM CORPORATION.
 ANY COPYING OR UNAUTHORIZED
 USE IS PROHIBITED

MATERIAL	TOLERANCE UNLESS OTHERWISE NOTED	TITLE SCHEMATIC DIAGRAM		PRIAM
		MAIN P.C.B. QUAD / P. INT		
	LINEAR ± XX	DESIGN X	SCALE 5:11+1	D 200174
	ANGULAR ± XX	DETAIL DTN	SHEET 4 OF 10	
HARDNESS	OUTSIDE MAX	DATE 2-6-81		
SURFACE TREATMENT	INSIDE MAX	APPROV		

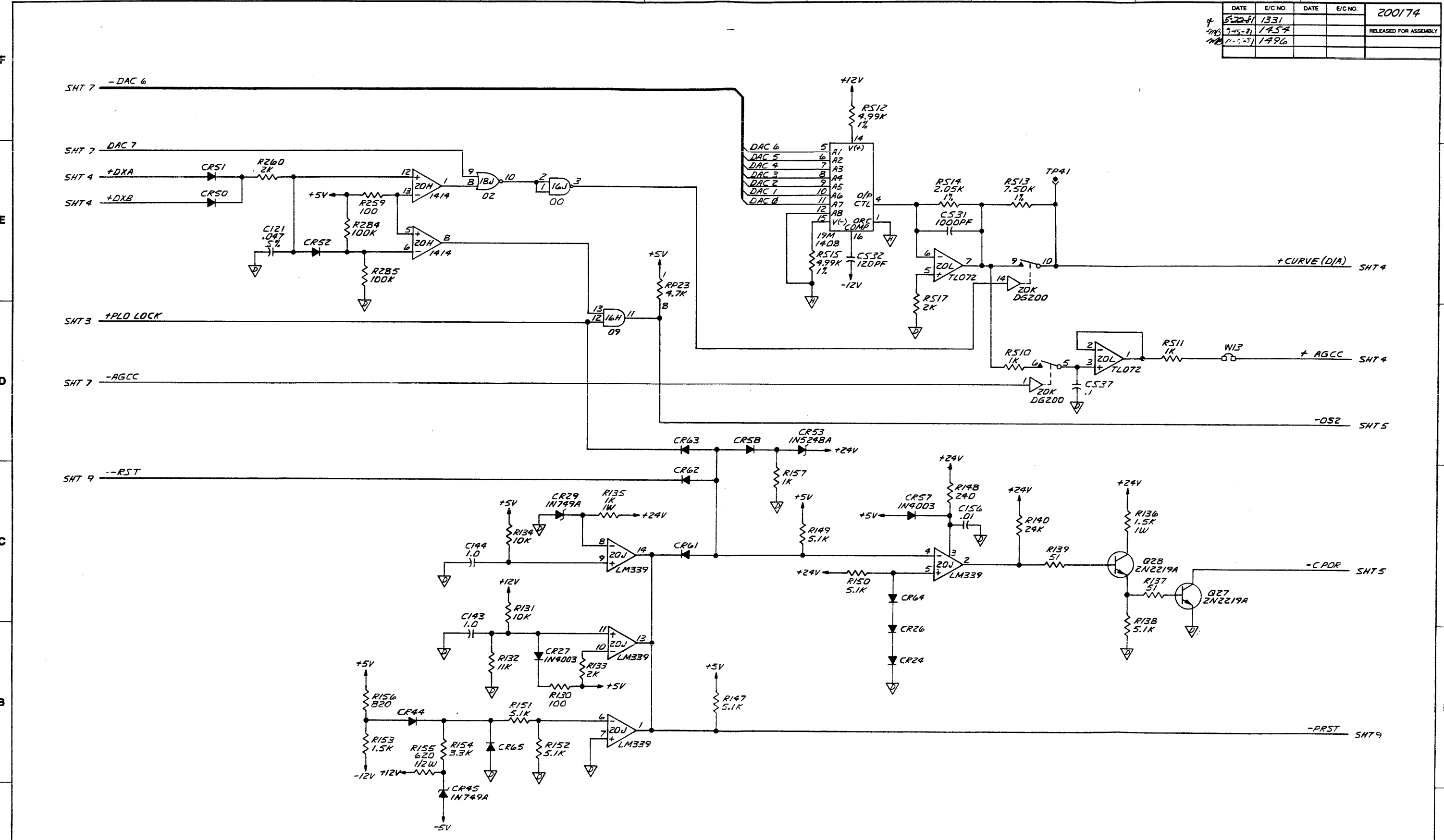
DATE	E/C NO.	DATE	E/C NO.	200174
6-22-81	1331			
11-5-81	1458			
11-5-79	1496			
				RELEASED FOR ASSEMBLY



CONFIDENTIAL
 THIS DRAWING AND THE INFORMATION IT CONTAINS
 ARE THE PROPERTY OF PRAM CORPORATION.
 ANY COPYING OR UNAUTHORIZED
 USE IS PROHIBITED

MATERIAL	TOLERANCE UNLESS OTHERWISE NOTED	TITLE	PRAM
	LINEAR ±.XX ANGULAR ±.33X	SCHMATIC DIAGRAM MAIN P.C.B. QUAD/P. INTF	
HARDNESS	ANGULAR	DESIGN	SCALE
SURFACE TREATMENT	OUTSIDE	DETAIL	DTN 1-20-81
	INSIDE	DATE	5-11-81
		APPRO	OK
		NO.	2-9-81
		REV	5-11-81
		SHEET	5 OF 10
		DWG NO.	200174

DATE	E/C NO.	DATE	E/C NO.	200174
5-22-81	1331			
7-15-81	1454			RELEASED FOR ASSEMBLY
11-15-81	1496			

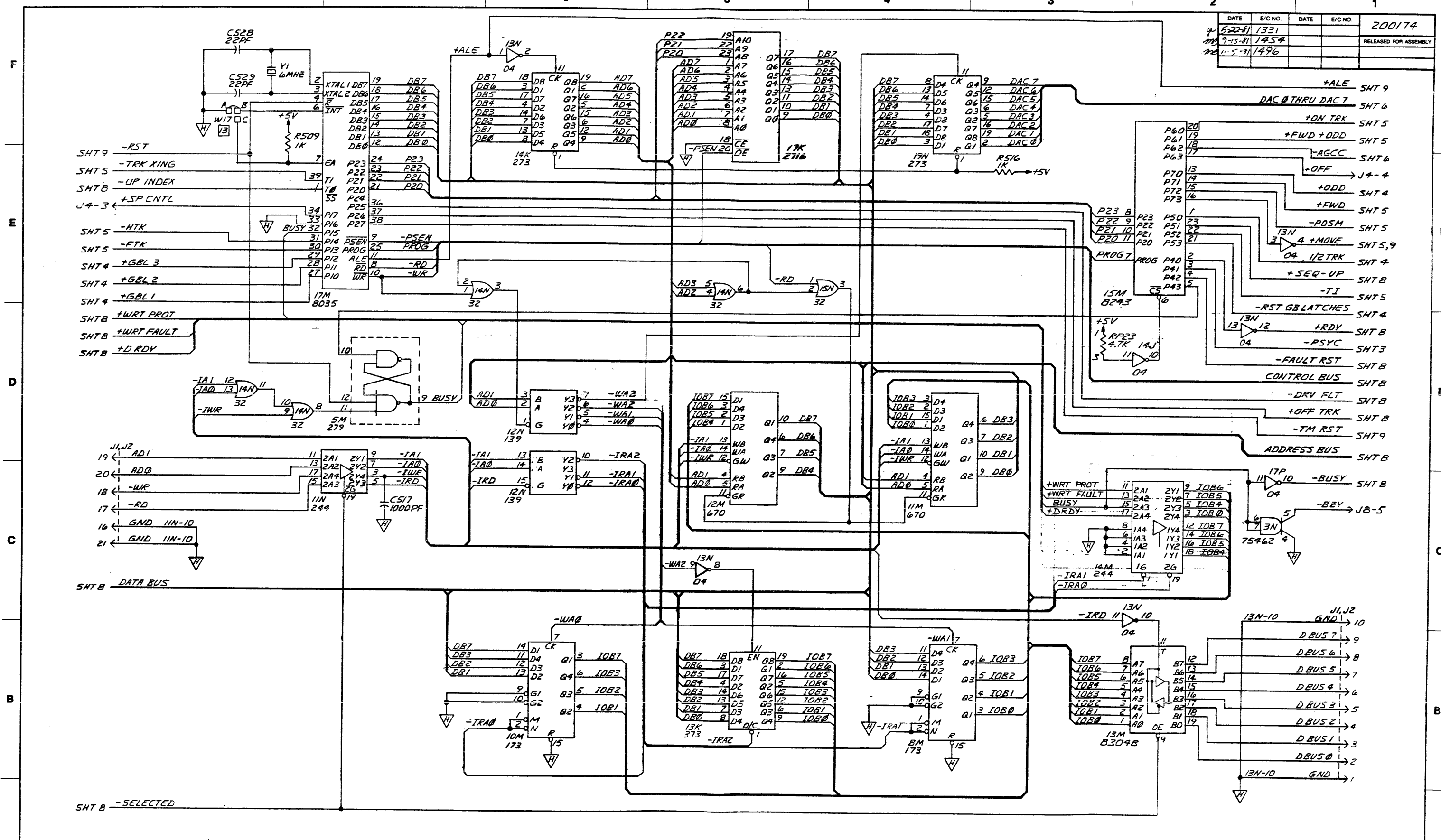


CONFIDENTIAL
 THIS DRAWING AND THE INFORMATION IT CONTAINS
 ARE THE PROPERTY OF PRIAM CORPORATION.
 ANY COPYING OR UNAUTHORIZED
 USE IS PROHIBITED

MATERIAL	TOLERANCE UNLESS OTHERWISE NOTED	TITLE	
	LINEAR ± XX	SCHEMATIC DIAGRAM	
	ANGULAR ± XXX	MAIN P.C.B. QUAD/P. INTF	
HARDNESS	CONFORM TO MIL-STD-883C	DESIGN	SCALE
SURFACE TREATMENT	OUTSIDE FINISH	DTN	2-6-81
		SHEET	6 OF 10
		MAX DFTG CHK	2-9-81
		MAX APPRO	5-11-81
			D 200174

PRIAM

DATE	E/C NO.	DATE	E/C NO.	200174
5-22-81	1331			RELEASED FOR ASSEMBLY
7-15-81	1454			
11-5-81	1496			

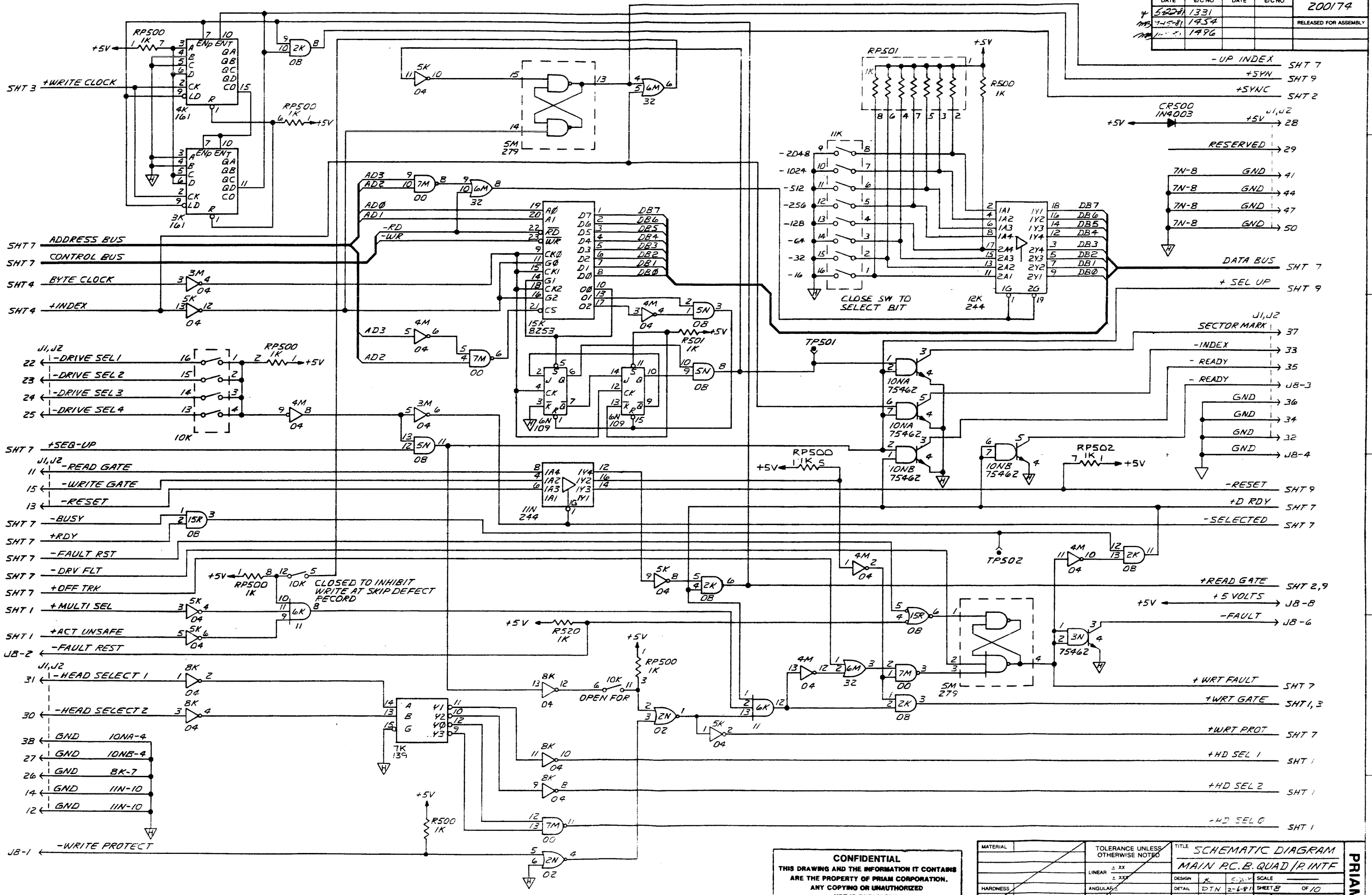


CONFIDENTIAL
 THIS DRAWING AND THE INFORMATION IT CONTAINS
 ARE THE PROPERTY OF PRISM CORPORATION.
 ANY COPYING OR UNAUTHORIZED
 USE IS PROHIBITED

MATERIAL	TOLERANCE UNLESS OTHERWISE NOTED	TITLE	SCHEMATIC DIAGRAM
	LINEAR ± .XX	DETAIL	MAIN P.C.B. QUAD P. INTF
HARDNESS	ANGULAR ± .XX	DESIGN	DTN 2-9-81
SURFACE TREATMENT	OUTSIDE	SCALE	SHEET 7 OF 10
	INSIDE	DATE	2-10-81
		APPROV	D 200174

PRISM

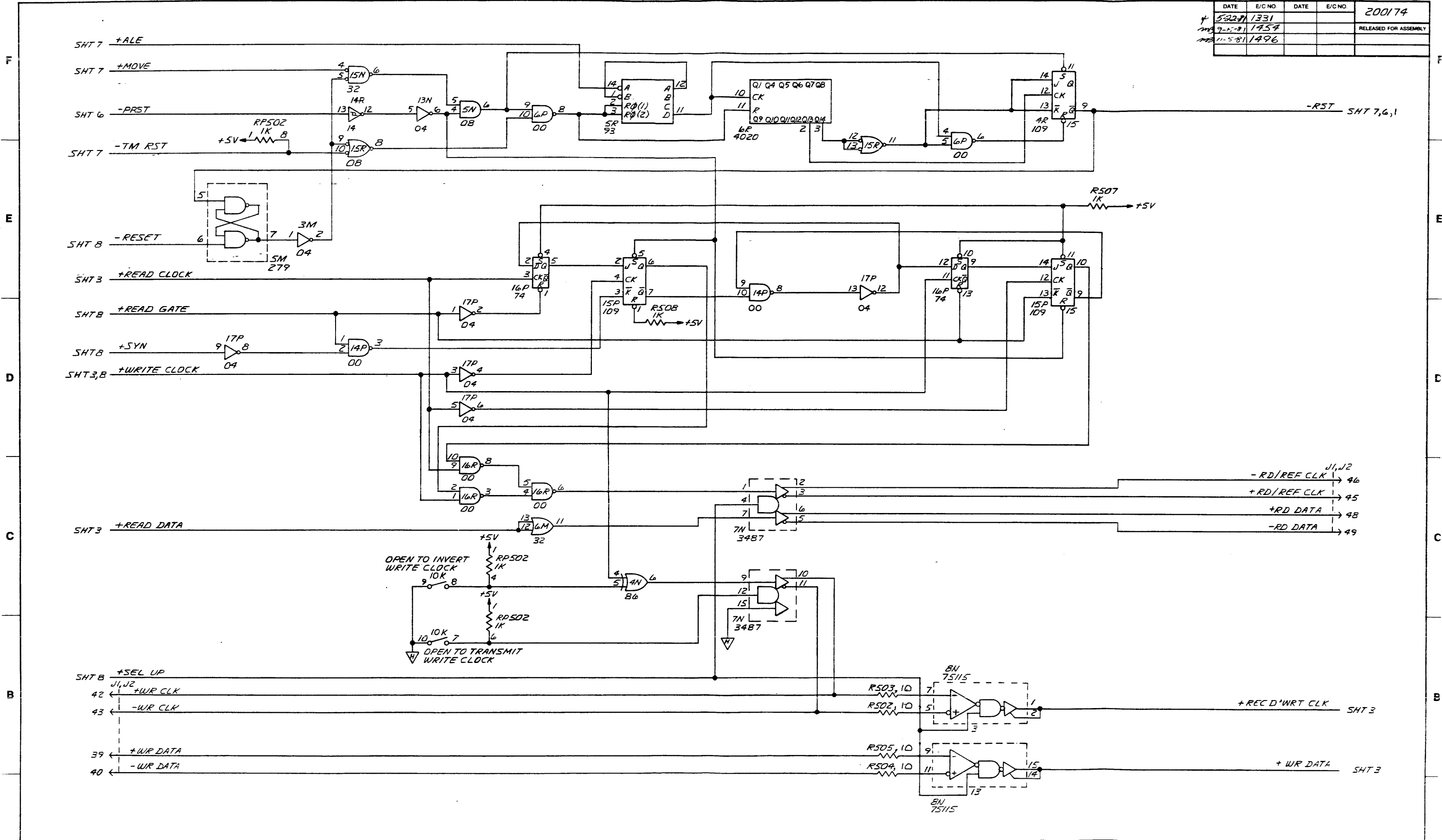
DATE	E/C NO	DATE	E/C NO	200174
5-20-81	1331			
7-15-81	1454			
11-1-81	1496			
				RELEASED FOR ASSEMBLY



CONFIDENTIAL
 THIS DRAWING AND THE INFORMATION IT CONTAINS
 ARE THE PROPERTY OF PRIAM CORPORATION.
 ANY COPYING OR UNAUTHORIZED
 USE IS PROHIBITED

MATERIAL	TOLERANCE UNLESS OTHERWISE NOTED	TITLE		PRIAM
		SCHEMATIC DIAGRAM MAIN P.C.B. QUAD / P. INTF		
HARDNESS	LINEAR ± XX	DESIGN	SCALE	
SURFACE TREATMENT	ANGULAR ±	DETAIL	DTN 2-1-81	SHEET 8 OF 10
	CORNER ROUNDED	MAX. DFTG CHK	R 2-6-81	
	EDGES BROKEN	INSIDE	MAX. APPRO	D 200174

DATE	E/C NO.	DATE	E/C NO.	200174
5-22-81	1331			
9-5-81	1454			RELEASED FOR ASSEMBLY
11-5-81	1496			



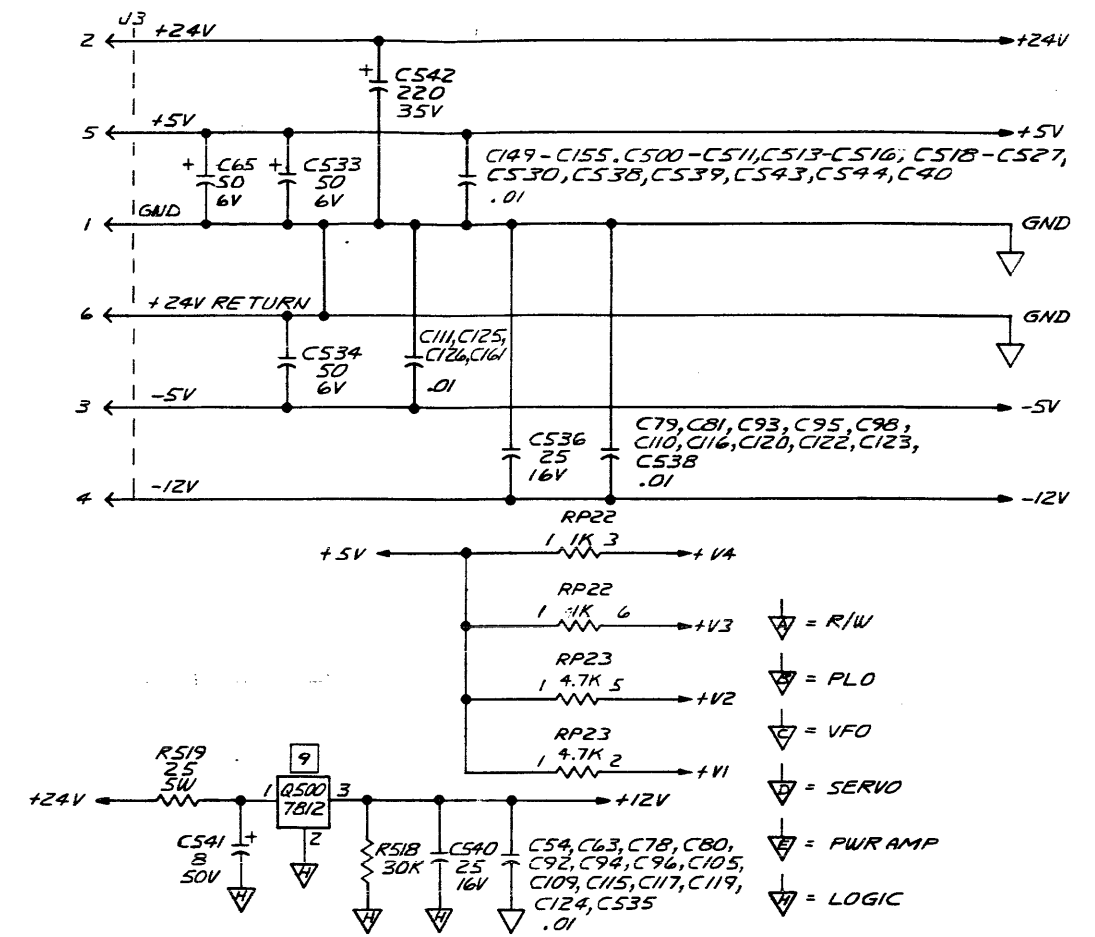
CONFIDENTIAL
 THIS DRAWING AND THE INFORMATION IT CONTAINS
 ARE THE PROPERTY OF PRIAM CORPORATION.
 ANY COPYING OR UNAUTHORIZED
 USE IS PROHIBITED

MATERIAL	TOLERANCE UNLESS OTHERWISE NOTED	TITLE	SCHEMATIC DIAGRAM
	LINEAR ± .XX	DETAIL	DTN 2-6-81
	ANGULAR ± .XX°	SCALE	1:1
HARDNESS	CORNER ROUNDED	MAX DFTG CHK	TR 2-9-81
SURFACE TREATMENT	INSIDE	MAX APPRO	200174

PRIAM

DATE	E/C NO.	DATE	E/C NO.	200174
5-22-81	1331			
11-5-81	1458			RELEASED FOR ASSEMBLY
11-5-81	1496			

I.C. TYPE	I.C. LOCATION & GROUND BUS USED					UNUSED ELEMENTS	+5V	GND	+12V	-12V	-5V
	BUS A	BUS B	BUS C	BUS D	BUS H						
74LS00	---	12G	---	15H,18H,16J	7M,6P,14P,16R	12G2,3,15H2,16J1,6P1,4,14P2,4,16R4	14	7	---	---	---
74LS02	---	---	---	18J	2N	18J2, 2N3,4	14	7	---	---	---
74LS04	---	10F	---	14J	5K,8K,3M,4M,13N,17P	10F2,3,6,14J6,3M4,5,17P5	14	7	---	---	---
74LS08	---	---	---	---	2K,5N,15R	---	14	7	---	---	---
74LS09	---	8F	---	16H	---	8F3,4	14	7	---	---	---
74LS11	---	---	---	---	6K	6K2	14	7	---	---	---
74LS14	---	---	---	---	14R	14R1,2,3,4,5	14	7	---	---	---
592	11A	---	---	---	---	---	10	---	---	---	5
74LS32	---	---	---	---	6M,14N,15N	15N3,4	14	7	---	---	---
74LS42	---	11G	---	---	---	---	16	8	---	---	---
74LS74	---	10G,11N,11H	---	14H,15U	16P	---	14	7	---	---	---
74LS86	---	8G	---	---	4N	4N1,3,4	14	7	---	---	---
74LS93	---	---	---	---	5R	---	5	10	---	---	---
74LS96	---	11F	---	---	---	---	5	12	---	---	---
74LS109	---	12F,12J	---	---	6N,15P,4R	4R1	16	8	---	---	---
74LS123	---	12H	---	---	---	---	16	8	---	---	---
74LS139	---	---	---	---	7K,12N	7K1	16	8	---	---	---
74LS153	---	10J	---	---	---	---	16	8	---	---	---
74LS161	---	8H	---	---	3K,4K	---	16	8	---	---	---
74LS173	---	---	---	---	8M,10M	---	16	8	---	---	---
74LS244	---	---	---	---	12K,14M,11N	---	20	10	---	---	---
74LS273	---	---	---	---	14K,19N	---	20	10	---	---	---
74LS279	---	---	---	---	5M	---	16	8	---	---	---
74LS373	---	---	---	---	13K	---	20	10	---	---	---
74LS470	---	---	---	---	11M,12M	---	16	8	---	---	---
75462	---	---	---	---	3N,10NA,10NB	---	8	4	---	---	---
7L072	20L	---	---	---	---	---	---	8	4	---	---
DG200	---	---	---	21D,20F,21F,16G	20K	---	---	3	12	7	---
LM339	---	---	---	20J	---	---	---	12	---	---	---
LM318	5E	---	---	---	---	---	---	7	4	---	---
527	---	13E	1B	---	---	---	14	10	1	6	---
741	8J	---	---	---	---	---	---	7	4	---	---
1352	---	---	---	11A	---	---	---	---	---	---	---
1408	---	---	---	---	19M	---	13	2	---	3	---
1414	---	9E	---	18G,20G,20H	---	---	---	11	3,10	---	7,14
1458	16B,19B,16D,19D,14E,16E,19E,18F,14G	---	---	---	---	14G2,14E2	---	---	8	4	---
2716	---	---	---	---	---	---	21,24	12	---	---	---
75115	---	---	---	---	8N	---	16	8	---	---	---
3487	---	---	---	---	7N	---	16	8	---	---	---
4020	---	---	---	---	6R	---	16	8	---	---	---
7406	7C	---	---	---	---	---	14A	7	---	---	---
8035	---	---	---	---	17M	---	26,40	20	---	---	---
8243	---	---	---	---	15M	---	24	12	---	---	---
8253	---	---	---	---	15K	---	24	12	---	---	---
83048	---	---	---	---	13M	---	20	10	---	---	---
10102	---	7F	2E	---	---	7F1,2,2E4	---	1,16	---	---	8
10102	---	---	3G	---	---	---	---	1,16	---	---	8A
10104	---	---	1C	---	---	1C1	---	1,16	---	---	8
10105	---	7G	1G,2F	---	---	---	---	1,16	---	---	8
10116	---	6J	5F	---	---	6J1	---	1,16	---	---	8
10117	---	---	3C	---	---	---	---	1,16	---	---	8
10124	---	5H	2B	---	---	2B3,5H3	9	16	---	---	8
10125	---	6H	2H	---	---	2H2,3,6H1,3	9	16	---	---	8
10131	---	7E,6F,5G,6G,7H	2C,3E,1F,3F	---	---	3F1	---	1,16	---	---	8
10131	---	---	2G,3H	---	---	3H2	---	1,16	---	---	8A
HAZ535	---	---	---	13C	---	---	---	8	7	4	---



V DESIGNATIONS	CONNECTED TO
V1	14H-1, 13
V2	14H-4, 10
V3	12F-5, 11
V4	12F-1, 15

REFERENCE DESIGNATIONS		
LAST USED	LAST USED	NOT USED
C165	C544	C62, C97, C127, C130, C131, C137-C139, C146-C148, C166-C499, C52, C66, C512
CR65	CR500	CR59, CR60, CR66-CR499
J8		
L4		
Q43	Q500	Q32, Q44-Q499, Q26
R286	R520	R142, R228, R252, R261-R267, R287-R499
RP27	RP502	RP28-RP499, RP24-RP26
TP51	TP502	TP52-TP500, TP6, TP8, TP11, TP12, TP14, TP19, TP26, TP28, TP29, TP31-TP34, TP49
W14		
	Y1	
	F1	

JUMPER TABLE		
W.NO.	-01	-02
W6	A-B	B-C
W8	A-B	B-C
W11	A-B	B-C
W12	B-C	A-B
W15	A-B	B-C
W16	A-B	B-C
W17	A-B	B-C

CONFIDENTIAL
THIS DRAWING AND THE INFORMATION IT CONTAINS ARE THE PROPERTY OF PRIAM CORPORATION. ANY COPYING OR UNAUTHORIZED USE IS PROHIBITED.

MATERIAL	TOLERANCE UNLESS OTHERWISE NOTED	TITLE		PRIAM
		SCHEMATIC DIAGRAM MAIN P.C.B. QUAD/PRINTF		
HARDNESS	LINEAR ± XX	DESIGN	SCALE	SHEET 10 OF 10
SURFACE TREATMENT	ANGULAR ± XX	DTN	2-9-81	
	CORNER ROUNDED	MAX. APPRO	DATE	D 200174