

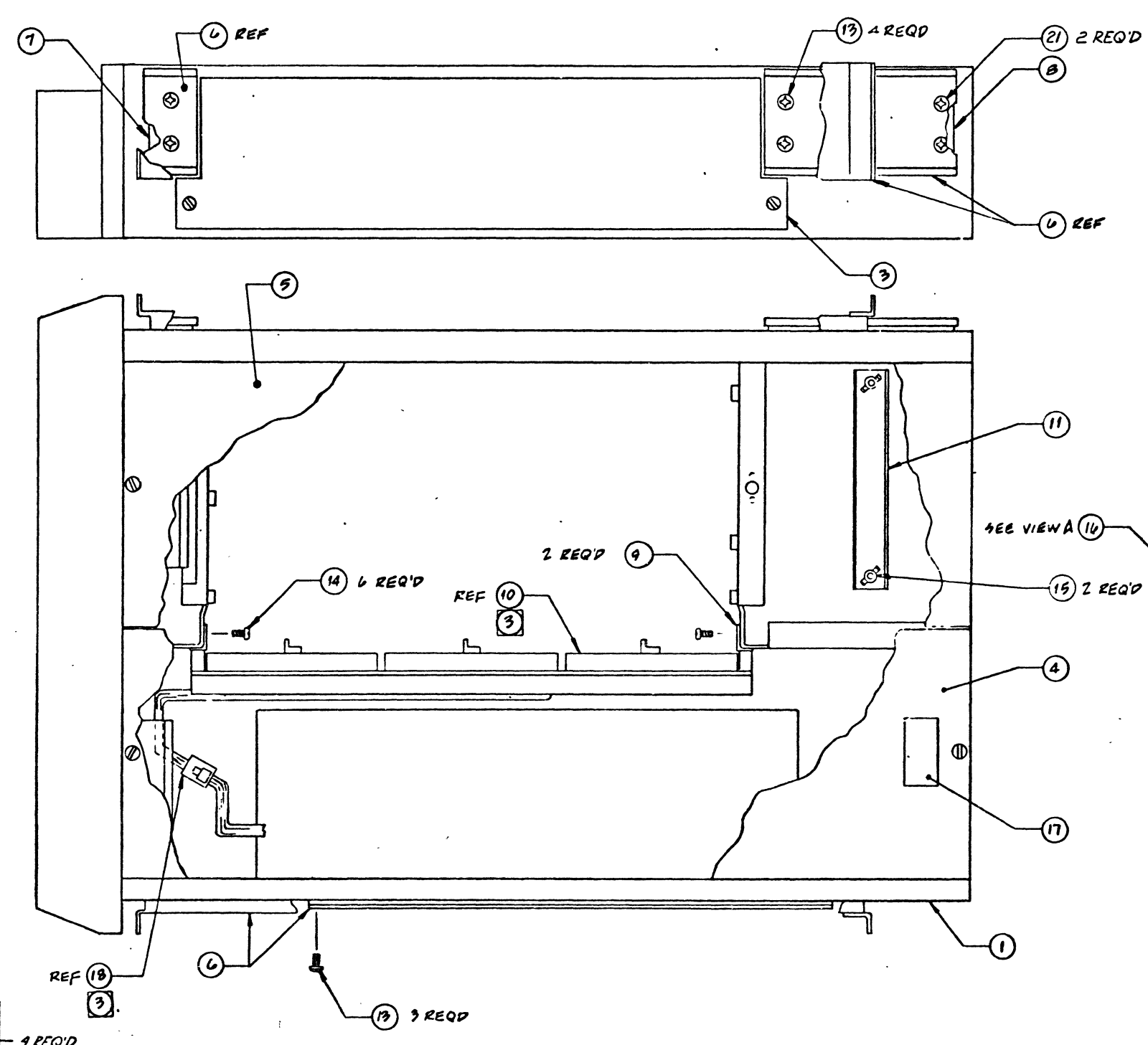
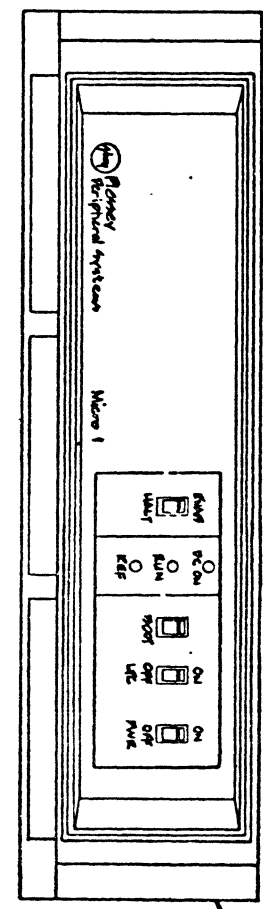
## TABLE OF CONTENTS

MD 701900-001	Micro I
MD 703170	Floppy Disc XSV11
MD 703150	Floppy Disc XS11
MD 700570	PM-DC/11
MD 703225	PM-DC/11A
MD 701810	PM-DCV11
MD 703340	PM-DCV11A
MD 700540	Caelus
Perkin Elmer Super Series Disc Drive (Vol. 2)	

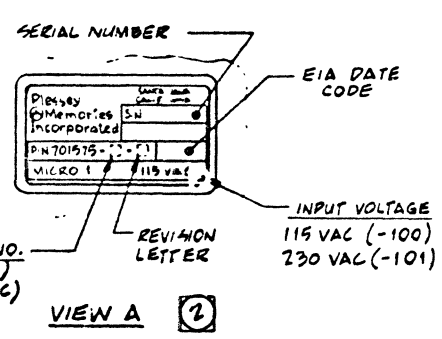


The information herein is the property of PLESSEY MICROSYSTEMS. Transmittal, receipt or possession of this information does not constitute license or imply any rights to use, sell, or manufacture from this information and no reproduction or publication of it, in whole or in part, shall be made without written authorization from PLESSEY MICROSYSTEMS.

REVISIONS				
ZONE	LTR	DESCRIPTION	DATE	APPROVED
A		REL TO PROD PER EO 2331	5 12 78	[Signature]



- 1. ASSEMBLE AND INSPECT PER WORKMANSHIP STANDARDS MANUAL.
  - 2. MARK CHARACTERS USING TYPEWRITER WITH RIBBON, UPPER CASE ONLY, PER VIEW A.
  - 3. BACKPLANE (ITEM 10) AND DC CABLE (ITEM 18) TO BE SPECIFIED SEPARATELY.
- NOTES: UNLESS OTHERWISE SPECIFIED.



PART/ASSY NO. & QTY PER ASSY					NOTE PART OR IDENTIFYING NO.					NOMENCLATURE OR DESCRIPTION / MATERIAL					SPEC/SOURCE					CODE IDENT NO.					FIND NO.									

<b>PARTS LIST</b>	<b>Plessey Microsystems</b>	TONY NUSKIN 1/12/78 K. T. ... 28-78 J. Mc... 29-78 ... 2-10-78 ... 2-13-78	PARTS LIST NO. PL 701575-100	REV LTR A
TOP ASSEMBLY - MICRO 1, 5.25 CHASSIS, 115 VAC.		CODE IDENT NO. 52648	1234570	SH 1 OF 3

REV LTR	DESCRIPTION	DATE	APPROVED	REV LTR	DESCRIPTION	DATE	APPROVED
A	REL TO PROD PER EO P331	5-14-74	[Signature]				

PRODUCTION RELEASE

REV STATUS OF SHEETS	REV LTR	A	A	A														
----------------------	---------	---	---	---	--	--	--	--	--	--	--	--	--	--	--	--	--	--

<b>PARTS LIST</b>	<b>Plessey Microsystems</b>	CODE IDENT NO. 52648	PARTS LIST NO. PL 701575-100	SH 3	REV LTR A
-------------------	-----------------------------	-------------------------	---------------------------------	------	--------------

QTY REQD	PART OR IDENTIFYING NO.	NOMENCLATURE OR DESCRIPTION	SPECIFICATION	CODE IDENT NO.	ZONE	F I N O D	S Y H	C/I USAGE										
								C/I CODE	INV ON HAND	P A R	UNIT COST							
6	MS51951-28	SCREW-MACHINE #6-32 x 3/8 LG PAN HEAD, CROSS REC.																
2	C5947-4	NUT-WING #6-32	ALLMETAL															
1	700077-001	NAMEPLATE																
1	701498-001	LABEL-CAUTION																
③ 1	REF	CABLE ASSEMBLY-DC POWER, BACKPLANE																
4	MS15195-892	WASHER, FLAT, #10																
4	MS35333-30	WASHER, LOCK, #8																
2	MS24633-C271	SCREW/FL HD, 100°, CROSS REC. 10-32 X 3/8 LG																

<b>PARTS LIST</b>	<b>Plessey Microsystems</b>	CODE IDENT NO. 52648	PARTS LIST NO. PL 701575-100	SH 2	REV LTR A
-------------------	-----------------------------	-------------------------	---------------------------------	------	--------------

QTY REQD	PART OR IDENTIFYING NO.	NOMENCLATURE OR DESCRIPTION	SPECIFICATION	CODE IDENT NO.	ZONE	F I N O D	S Y H	C/I USAGE										
								C/I CODE	INV ON HAND	P A R	UNIT COST							
1	701395-100	CHASSIS SUB-ASSY, 115VAC																
1	701574-100	CONSOLE ASSY																
1	701401-001	COVER-SIDE																
1	701384-001	COVER-POWER SUPPLY																
1	701398-001	COVER-TOP																
1	701596-001	CHASSIS SLIDE																
1	701411-001	SPACER - FRONT																
1	701403-001	SPACER - REAR																
2	701396-001	BACKPLANE - MNTG BRACKET																
③ 1	REF	BACKPLANE ASSY - 9 SLOT																
1	701481-001	CABLE RETAINER																
4	MS51597-93	SCREW, PAN HD, 8-32 X 3/8 LG, PHILLIPS																
7	MS51958-61	SCREW-MACHINE #10-32 x 3/8 LG, PAN HEAD, CROSS REC																

SIZE B CODE IDENT NO. 52648 DWG NO. PL 701575-100 SHEET 1 OF 1  
 SCALE REV A

The information hereon is the property of PLESSEY PERIPHERAL SYS. Transmittal receipt or possession of the information does not imply license, or imply any rights to use, sell, or manufacture from this information, and no reproduction or publication of it, in whole or in part, shall be made without written authorization from PLESSEY PERIPHERAL SYS.

<b>PARTS LIST</b>	<b>Plessey Microsystems</b>	PREPARED BY <i>T. NUSKIN</i>	DATE <i>1/25/78</i>	PARTS LIST NO. <b>PL 701575-101</b>	REV LTR <b>A</b>
TOP ASSEMBLY - MICRO1 5.25 CHASSIS, 230 VAC		CHECKED BY <i>J. ...</i>	DATE <i>2-5-78</i>	CODE IDENT NO. 52648	SH OF <b>1 / 3</b>
		APPRV <i>J. ...</i>	DATE <i>2-9-78</i>	MODEL NO. <b>MICRO1</b>	
		DOC CONTROL <i>J. ...</i>	DATE <i>2-18-78</i>		

LTR	DESCRIPTION	DATE	APPROVED	LTR	DESCRIPTION	DATE	APPROVED
A	REL TO PROD PER EO 2331	5-11-74	<i>J. ...</i>				

PRODUCTION RELEASE

REV STATUS OF SHEETS	REV LTR	A	A	A													
	SHEET	1	2	3	4	5	6	7	8	9	10						

<b>PARTS LIST</b>	<b>Plessey Microsystems</b>	CODE IDENT NO. <b>52648</b>	PARTS LIST NO. <b>PL 701575-101</b>	SH <b>Z</b>	REV LTR <b>A</b>
-------------------	-----------------------------	--------------------------------	----------------------------------------	----------------	---------------------

NOTE	QTY REQD	PART OR IDENTIFYING NO.	NOMENCLATURE OR DESCRIPTION	SPECIFICATION	CODE IDENT NO.	ZONE	FIN D	SYM	C/I USAGE				
									C/I CODE	INT ON HAND	P A R	UNIT COST	
	1	701395-101	CHASSIS SUB-ASSY, 230 VAC				1						
	1	701574-100	CONSOLE ASSY				2						
	1	701401-001	COVER - SIDE				3						
	1	701384-001	COVER - POWER SUPPLY				4						
	1	701398-001	COVER - TOP				5						
	1	701596-001	CHASSIS SLIDE				6						
	1	701411-001	SPACER - FRONT				7						
	1	701403-001	SPACER - REAR				8						
	2	701396-001	BACKPLANE - MNTG BRACKET				9						
③	1	REF	BACKPLANE ASSY - 9 SLOT				10						
	1	701481-001	CABLE RETAINER				11						
	4	MS51957-93	SCREW, PH HD, 8-32 X 3/8 LG PHILLIPS				12						
	7	MS51958-61	SCREW-MACHINE #10-32 X 3/8L PAN HEAD, CROSS REC				13						

<b>PARTS LIST</b>	<b>Plessey Microsystems</b>	CODE IDENT NO. <b>52648</b>	PARTS LIST NO. <b>PL 701575-101</b>	SH <b>3</b>	REV LTR <b>A</b>
-------------------	-----------------------------	--------------------------------	----------------------------------------	----------------	---------------------

NOTE	QTY REQD	PART OR IDENTIFYING NO.	NOMENCLATURE OR DESCRIPTION	SPECIFICATION	CODE IDENT NO.	ZONE	FIN D	SYM	C/I USAGE				
									C/I CODE	INT ON HAND	P A R	UNIT COST	
	6	MS51957-28	SCREW-MACHINE #6-32 X 3/8LG PAN HEAD, CROSS REC				14						
	2	CG947-4	NUT - WING #6-32	ALL METAL			15						
	1	700077-001	NAMEPLATE				16						
	1	701498-001	LABEL - CAUTION				17						
③	1	REF	CABLE ASSEMBLY - DC POWER, BACKPLANE				18						
	4	MS15795-892	WASHER, FLAT, #10				19						
	4	MS35333-38	WASHER, LOCK, #8				20						
	2	MS24693-021	SCREW, FL HD, 100°, CROSS - REC. 10-32 X 3/8 LG				21						

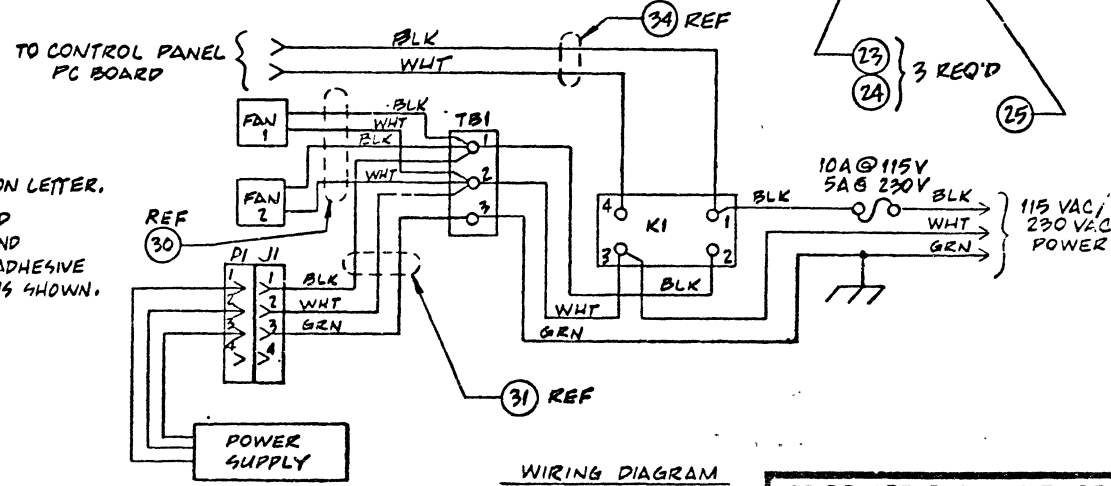
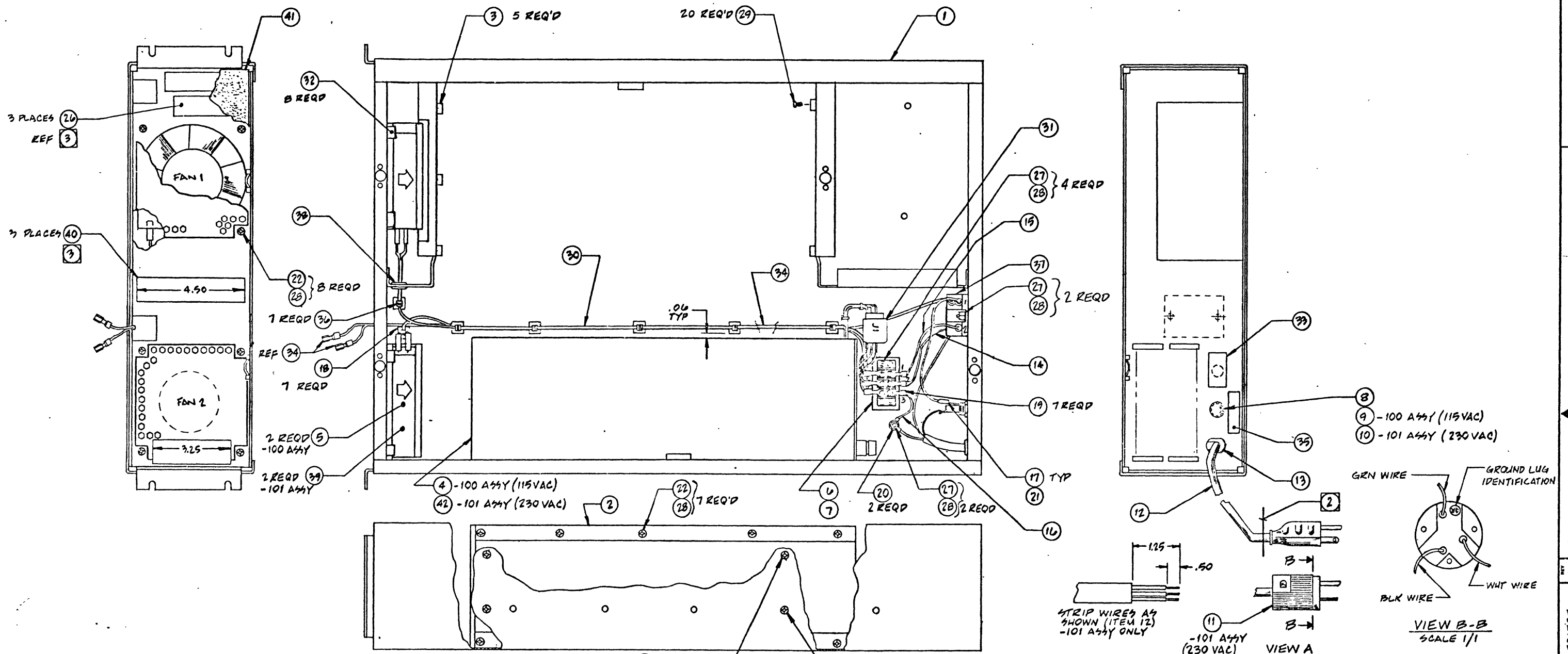
The information hereon is the property of PLESSEY PERIPHERAL SYS. Transmittal receipt or possession of the information does not imply license, or imply any rights to use, sell, or manufacture from this information and no reproduction or publication of it, in whole or in part, shall be made without written authorization from PLESSEY PERIPHERAL SYS.

CODE IDENT NO. **52648**    DWG NO. **PL. 701575-101**    SHEET **1** OF **1**  
 SIZE **B**    SCALE **A**

Form 000087

The information herein is the property of PLESSEY MICROSYSTEMS. Transmittal receipt or possession of the information does not constitute license, or imply any rights to use, sell, or manufacture from this information and no reproduction or publication of it, in whole or in part, shall be made without written authorization from PLESSEY MICROSYSTEMS.

REVISIONS				
ZONE	LTR	DESCRIPTION	DATE	APPROVED
A		REL TO PRECD PER E.O. P331	5-18-78	[Signature]
B		INCORP E.O. 2924	3-13-79	[Signature]



4. TA's ASSEMBLY WITH PART NUMBER AND LATEST REVISION LETTER.
3. CUT LENGTHS OF VELCRO (ITEM 40) AND DOUBLE SIDED TAPE (ITEM 26), TO APPROXIMATE SIZE AS SHOWN. ALIGN AND FASTEN ONE SIDE OF TAPE TO BACK OF VELCRO THEN ALIGN ADHESIVE SIDE (BACK) OF VELCRO TO PANEL AND SECURE IN LOCATIONS SHOWN.
2. FOR -101 VERSION (230 VAC) REMOVE EXISTING PLUG FROM AC CORP (ITEM 12) PER VIEW A. TRIM WIRE ENDS AS SHOWN PRIOR TO ASSEMBLY WITH ITEM 11 PER VIEW B-B.
1. ASSEMBLE AND INSPECT PER WORKMANSHIP STANDARDS MANUAL.

NOTES: UNLESS OTHERWISE SPECIFIED.

PART/ASSY NO. & QTY PER ASSY		NOTE PART OR IDENTIFYING NO.	NOMEN CLATURE OR DESCRIPTION / MATERIAL	SPEC/SOURCE	CODE IDENT NO.	FIND NO.
			FOR PARTS LIST SEE PL 701395-101			5
			FOR PARTS LIST SEE PL 701395-100			4
						3
						2
						1

PART/ASSY REV LTR		CONTRACT NO.		Plessey Microsystems	
				DWG TITLE	
				CHASSIS SUB-ASSEMBLY-MICRO 1, 5.25 HIGH	
				SIZE	CODE IDENT NO.
				D	5264B
				DWG NO.	701395
				SCALE: 1/2	SHEET 1 OF 1
				DISTR NO. 12347010	

PRODUCTION RELEASE



<b>PARTS LIST</b>	<b>Plessey Microsystems</b>	TONY NUSKIN 11/17 J. Fendley 2-8-78 J. McNeill 1/17 J. McNeill 2-10-78 J. McNeill 2-13-78	PARTS LIST NO. <b>PL 701395-100</b>	REV LTR <b>B</b>
CHASSIS SUB-ASSEMBLY, MICRO1, 5.25 HIGH, 115 VAC		CODE IDENT NO. <b>52648</b>	1234570 <b>D</b>	SH <b>1</b> OF <b>5</b>

LTR	DESCRIPTION	DATE	APPROVED	LTR	DESCRIPTION	DATE	APPROVED
A	REL TO PROD PER EO 2331	5-18-79	[Signature]				
B	INCRP EO 2924	3-13-79	[Signature]				

**PRODUCTION RELEASE**

REV STATUS OF SHEETS	REV LTR	B	B	A	B	A												
----------------------	---------	---	---	---	---	---	--	--	--	--	--	--	--	--	--	--	--	--

<b>PARTS LIST</b>	<b>Plessey Microsystems</b>	CODE IDENT NO. <b>52648</b>	PARTS LIST NO. <b>PL 701395-100</b>	SH <b>2</b>	REV LTR <b>B</b>					
NOTE	QTY REQD	PART OR IDENTIFYING NO.	NOMENCLATURE OR DESCRIPTION	SPECIFICATION	CODE IDENT NO.	ZONE	F I N D	S Y N	C/I USAGE	UNIT COST
	1	701394-001	CHASSIS - 5.25 HIGH				1			
	1	701397-001	MOUNTING BRACKET - P/S				2			
B	5	701404-001	GUIDES - PWB				3			
	1	100054-200	POWER SUPPLY - 115 VAC INPUT	MAGNETIC IMPULSE			4			
	2	A3010B	FAN - 115 VAC	TORIN	60399		5			
	1	600A-3	TERMINAL BLOCK - 3 POS	KULKA	75382		6			
	1	M5600-3-XR7A	MARKER STRIP	KULKA	75382		7			
	1	34203BA	FUSE HOLDER	LITTLEFUSE	75915		8			
	1	MDA-10	FUSE/10A, 250V, 5LO-BLO	BUHMAN	71400		9			
							10			
							11			
	1	1740B	POWER CORD - TYPE SJ, 3 COND #18AWG, NEMA 5-15P PLUG, BFT	BELDEN	1642B		12			
	1	SR-6N3-4	BUSHING - STRAIN RELIEF	HEYCO	28520		13			

<b>PARTS LIST</b>	<b>Plessey Microsystems</b>	CODE IDENT NO. <b>52648</b>	PARTS LIST NO. <b>PL 701395-100</b>	SH <b>3</b>	REV LTR <b>A</b>					
NOTE	QTY REQD	PART OR IDENTIFYING NO.	NOMENCLATURE OR DESCRIPTION	SPECIFICATION	CODE IDENT NO.	ZONE	F I N D	S Y N	C/I USAGE	UNIT COST

	6	INCHES 7057/19-1	WIRE - #18AWG, 19/30 STRAND, IRRADIATED PVC, WHITE	ALPHA	23172		14			
	12	INCHES 7057/19-2	WIRE - #18AWG, 19/30 STRAND, IRRADIATED PVC, BLACK	ALPHA	23172		15			
	4	INCHES 7057/19-4	WIRE - #18AWG, 19/30 STRAND, IRRADIATED PVC, GREEN	ALPHA	23172		16			
	2	INCHES FIT105-3/32	TUBING - HEAT SHRINKABLE	ALPHA	23172		17			
	7	ABMM-A-C	CABLE TIE MOUNT - ADHESIVE BACKED.	PANDUIT	06383		18			
	7	4422497	TERMINAL LUG - LOCKING FORK, 18-22 AWG	HOLLINGSWORTH	14726		19			
	2	R41425	TERMINAL LUG - RING, 18-22 AWG	HOLLINGSWORTH	14726		20			
	REF	SN63-WRAP 3	SOLDER	QQ-S-571			21			
	8	M451957-30	SCREW - #6-32 x 1/2 L PAN HEAD, PHILLIPS.				22			
	3	M451957-43	SCREW - #8-32 x 3/8 L PAN HEAD, PHILLIPS				23			
	3	M435333-38	WASHER - LOCK #8 INTERNAL TOOTH				24			
	1	M42403-C48	SCREW, FLH, 100 CROSS REC #8-32 x 3/8 L				25			
A	12	INCHES NO. 994	TAPE - DOUBLE SIDED, TRANSPARENT, 1/2" WIDE	3M	85679		26			

<b>PARTS LIST</b>	<b>Plessey Microsystems</b>	CODE IDENT NO. <b>52648</b>	PARTS LIST NO. <b>PL 701395-100</b>	SH <b>4</b>	REV LTR <b>B</b>					
NOTE	QTY REQD	PART OR IDENTIFYING NO.	NOMENCLATURE OR DESCRIPTION	SPECIFICATION	CODE IDENT NO.	ZONE	F I N D	S Y N	C/I USAGE	UNIT COST
	8	N45671C6	NUT - HEX #6-32, SMALL PATTERN				27			
	23	M435333-37	WASHER - LOCK #6, INTERNAL TOOTH.				28			
B	20	M451957-13	SCREW - MACHINE #4-40 x 1/4 L, PAN HEAD, PHILLIPS.				29			
	1	701513-100	CABLE ASSY - AC FAN POWER				30			
	1	701549-100	CABLE ASSY - AC POWER SUPPLY				31			
	8	C53635-032	TINNERMAN NUTS - U CLIP	EATON	21634		32			
	1	701504-001	LABEL - FUSE REPLACEMENT				33			
	1	701522-100	CABLE ASSY - AC SWITCH				34			
	1	701507-001	LABEL - VOLT/CURRENT				35			
	7	PLT1.5M	CABLE TIE - MINIATURE	PANDUIT	06383		36			
	1	Z40A25	RELAY - SOLID STATE	OPTO 22			37			
	1	2175	GROMMET	HH SMITH	83390		38			
							39			

The information hereon is the property of PLESSEY PERIPHERAL SYS. Transmittal receipt or possession of the information does not imply license, or imply any rights to use, sell, or manufacture from this information and no reproduction or publication of it, in whole or in part, shall be made without written authorization from PLESSEY PERIPHERAL SYS.

SIZE **B** SCALE  
 CODE IDENT NO. **52648** REV  
 DWG NO. **PL 701395-100** SHEET **1** OF **2**





PARTS LIST	Plessey Microsystems	PREPARED BY	TONY NUSKIN	1/11/78	PARTS LIST NO.	PL 701395-101	REV LTR	B
		CHECKED BY	L. Murphy	2-8-78				
		RESP ENG	J. McVull	2-9-78				
		APPRV	J. B. Oll	2-12-78				
		DOC CONTROL	W. Davis	2-13-78				
CHASSIS SUB-ASSEMBLY, MICRO 1, 5.25 HIGH, 230VAC		CODE IDENT NO.	52648	1234570	SH	1	OF	5
		MODEL NO.	MICRO 1					

LTR	DESCRIPTION	DATE	APPROVED	LTR	DESCRIPTION	DATE	APPROVED
A	REL TO PROD PER EO 2331	5-14-74	Sy J.P.				
B	INCORP EO 2924	3-13-79	Let J.P.				

PRODUCTION RELEASE

REV STATUS OF SHEETS	REV LTR	B	B	A	B	A												
----------------------	---------	---	---	---	---	---	--	--	--	--	--	--	--	--	--	--	--	--

PARTS LIST	Plessey Microsystems	CODE IDENT NO.	52648	PARTS LIST NO.	PL 701395-101	SH	2	REV LTR	B																																																																																																																																											
		<table border="1"> <thead> <tr> <th>NOTE</th> <th>QTY REQD</th> <th>PART OR IDENTIFYING NO.</th> <th>NOMENCLATURE OR DESCRIPTION</th> <th>SPECIFICATION</th> <th>CODE IDENT NO.</th> <th>ZONE</th> <th>F I N O. D</th> <th>S Y M</th> <th>C/I USAGE</th> </tr> </thead> <tbody> <tr> <td></td> <td>1</td> <td>701394-001</td> <td>CHASSIS - 5.25 HIGH</td> <td></td> <td></td> <td></td> <td>1</td> <td></td> <td></td> </tr> <tr> <td></td> <td>1</td> <td>701397-001</td> <td>MOUNTING BRACKET - P/S</td> <td></td> <td></td> <td></td> <td>2</td> <td></td> <td></td> </tr> <tr> <td>B</td> <td>5</td> <td>701404-001</td> <td>GUIDES - PWB</td> <td></td> <td></td> <td></td> <td>3</td> <td></td> <td></td> </tr> <tr> <td></td> <td></td> <td></td> <td></td> <td></td> <td></td> <td></td> <td>4</td> <td></td> <td></td> </tr> <tr> <td></td> <td></td> <td></td> <td></td> <td></td> <td></td> <td></td> <td>5</td> <td></td> <td></td> </tr> <tr> <td></td> <td>1</td> <td>600A-3</td> <td>TERMINAL BLOCK - 3POS</td> <td>KULKA</td> <td>75382</td> <td></td> <td>6</td> <td></td> <td></td> </tr> <tr> <td></td> <td>1</td> <td>M4600-3-XP7A</td> <td>MARKER STRIP</td> <td>KULKA</td> <td>75382</td> <td></td> <td>7</td> <td></td> <td></td> </tr> <tr> <td></td> <td>1</td> <td>342038A</td> <td>FUSE HOLDER</td> <td>LITTLE FUSE</td> <td>75915</td> <td></td> <td>8</td> <td></td> <td></td> </tr> <tr> <td></td> <td></td> <td></td> <td></td> <td></td> <td></td> <td></td> <td>9</td> <td></td> <td></td> </tr> <tr> <td></td> <td>1</td> <td>MOA-5</td> <td>FUSE / 5A, 250V 4LO-BLO</td> <td>BUSHMAN</td> <td>71400</td> <td></td> <td>10</td> <td></td> <td></td> </tr> <tr> <td></td> <td>1</td> <td>5666-C</td> <td>PLUG - 2 POLE, 3 WIRE, 230V</td> <td>HUBBELL</td> <td>74545</td> <td></td> <td>11</td> <td></td> <td></td> </tr> <tr> <td></td> <td>1</td> <td>17408B</td> <td>POWER CORD - TYPE SJ, 3 COND #18AWG, NEMA 5-15 PLUG, 8 FT.</td> <td>BELDEN</td> <td>16428</td> <td></td> <td>12</td> <td></td> <td></td> </tr> <tr> <td></td> <td>1</td> <td>SR-6N3-4</td> <td>BUSHING - STRAIN RELIEF</td> <td>HEYCO</td> <td>28520</td> <td></td> <td>13</td> <td></td> <td></td> </tr> </tbody> </table>									NOTE	QTY REQD	PART OR IDENTIFYING NO.	NOMENCLATURE OR DESCRIPTION	SPECIFICATION	CODE IDENT NO.	ZONE	F I N O. D	S Y M	C/I USAGE		1	701394-001	CHASSIS - 5.25 HIGH				1				1	701397-001	MOUNTING BRACKET - P/S				2			B	5	701404-001	GUIDES - PWB				3										4										5				1	600A-3	TERMINAL BLOCK - 3POS	KULKA	75382		6				1	M4600-3-XP7A	MARKER STRIP	KULKA	75382		7				1	342038A	FUSE HOLDER	LITTLE FUSE	75915		8										9				1	MOA-5	FUSE / 5A, 250V 4LO-BLO	BUSHMAN	71400		10				1	5666-C	PLUG - 2 POLE, 3 WIRE, 230V	HUBBELL	74545		11				1	17408B	POWER CORD - TYPE SJ, 3 COND #18AWG, NEMA 5-15 PLUG, 8 FT.	BELDEN	16428		12				1	SR-6N3-4	BUSHING - STRAIN RELIEF	HEYCO	28520		13
NOTE	QTY REQD	PART OR IDENTIFYING NO.	NOMENCLATURE OR DESCRIPTION	SPECIFICATION	CODE IDENT NO.	ZONE	F I N O. D	S Y M	C/I USAGE																																																																																																																																											
	1	701394-001	CHASSIS - 5.25 HIGH				1																																																																																																																																													
	1	701397-001	MOUNTING BRACKET - P/S				2																																																																																																																																													
B	5	701404-001	GUIDES - PWB				3																																																																																																																																													
							4																																																																																																																																													
							5																																																																																																																																													
	1	600A-3	TERMINAL BLOCK - 3POS	KULKA	75382		6																																																																																																																																													
	1	M4600-3-XP7A	MARKER STRIP	KULKA	75382		7																																																																																																																																													
	1	342038A	FUSE HOLDER	LITTLE FUSE	75915		8																																																																																																																																													
							9																																																																																																																																													
	1	MOA-5	FUSE / 5A, 250V 4LO-BLO	BUSHMAN	71400		10																																																																																																																																													
	1	5666-C	PLUG - 2 POLE, 3 WIRE, 230V	HUBBELL	74545		11																																																																																																																																													
	1	17408B	POWER CORD - TYPE SJ, 3 COND #18AWG, NEMA 5-15 PLUG, 8 FT.	BELDEN	16428		12																																																																																																																																													
	1	SR-6N3-4	BUSHING - STRAIN RELIEF	HEYCO	28520		13																																																																																																																																													

PARTS LIST	Plessey Microsystems	CODE IDENT NO.	52648	PARTS LIST NO.	PL 701395-101	SH	3	REV LTR	A																																																																																																																																													
		<table border="1"> <thead> <tr> <th>NOTE</th> <th>QTY REQD</th> <th>PART OR IDENTIFYING NO.</th> <th>NOMENCLATURE OR DESCRIPTION</th> <th>SPECIFICATION</th> <th>CODE IDENT NO.</th> <th>ZONE</th> <th>F I N O. D</th> <th>S Y M</th> <th>C/I USAGE</th> </tr> </thead> <tbody> <tr> <td></td> <td>6 INCHES</td> <td>7057/19-1</td> <td>WIRE - #18AWG, 19/30 STRAND IRRADIATED PVC, WHITE</td> <td>ALPHA</td> <td>23172</td> <td></td> <td>14</td> <td></td> <td></td> </tr> <tr> <td></td> <td>12 INCHES</td> <td>7057/19-2</td> <td>WIRE - #18AWG, 19/30 STRAND IRRADIATED PVC, BLACK</td> <td>ALPHA</td> <td>23172</td> <td></td> <td>15</td> <td></td> <td></td> </tr> <tr> <td></td> <td>4 INCHES</td> <td>7057/19-9</td> <td>WIRE - #18AWG, 19/30 STRAND IRRADIATED PVC, GREEN</td> <td>ALPHA</td> <td>23172</td> <td></td> <td>16</td> <td></td> <td></td> </tr> <tr> <td></td> <td>2 INCHES</td> <td>FT105-3/32</td> <td>TUBING - HEAT SHRINKABLE</td> <td>ALPHA</td> <td>23172</td> <td></td> <td>17</td> <td></td> <td></td> </tr> <tr> <td></td> <td>7</td> <td>ABMM-A-C</td> <td>CABLE TIE MOUNT - ADHESIVE BACKED</td> <td>PANDUIT</td> <td>00383</td> <td></td> <td>18</td> <td></td> <td></td> </tr> <tr> <td></td> <td>7</td> <td>4522491</td> <td>TERMINAL LUG - LOCKING FORK, #18-22 AWG</td> <td>HOLLINGSWORTH</td> <td>14726</td> <td></td> <td>19</td> <td></td> <td></td> </tr> <tr> <td></td> <td>2</td> <td>R4142 S</td> <td>TERMINAL LUG - RING, INSULATED, #18-22 AWG</td> <td>HOLLINGSWORTH</td> <td>14726</td> <td></td> <td>20</td> <td></td> <td></td> </tr> <tr> <td></td> <td>REF</td> <td>SN63-WRAP 3</td> <td>HOLDER</td> <td>QQ-5-571</td> <td></td> <td></td> <td>21</td> <td></td> <td></td> </tr> <tr> <td></td> <td>8</td> <td>M451957-30</td> <td>SCREW - #6-32 x 1/2 PAN HEAD, PHILLIPS.</td> <td></td> <td></td> <td></td> <td>22</td> <td></td> <td></td> </tr> <tr> <td></td> <td>3</td> <td>M451957-43</td> <td>SCREW - #8-32 x 3/8 PAN HEAD, PHILLIPS.</td> <td></td> <td></td> <td></td> <td>23</td> <td></td> <td></td> </tr> <tr> <td></td> <td>3</td> <td>M435333-38</td> <td>WASHER - LOCK # 8 INTERNAL TOOTH</td> <td></td> <td></td> <td></td> <td>24</td> <td></td> <td></td> </tr> <tr> <td></td> <td>1</td> <td>M424693-418</td> <td>SCREW - #8-32 x .375 FLU, 100°, CROSS REC</td> <td></td> <td></td> <td></td> <td>25</td> <td></td> <td></td> </tr> <tr> <td></td> <td>12 INCHES</td> <td>NO. 999</td> <td>TAPE - DOUBLE SIDED, TRANSPARENT, 1/2" WIDE</td> <td>3M</td> <td>25679</td> <td></td> <td>26</td> <td></td> <td></td> </tr> </tbody> </table>									NOTE	QTY REQD	PART OR IDENTIFYING NO.	NOMENCLATURE OR DESCRIPTION	SPECIFICATION	CODE IDENT NO.	ZONE	F I N O. D	S Y M	C/I USAGE		6 INCHES	7057/19-1	WIRE - #18AWG, 19/30 STRAND IRRADIATED PVC, WHITE	ALPHA	23172		14				12 INCHES	7057/19-2	WIRE - #18AWG, 19/30 STRAND IRRADIATED PVC, BLACK	ALPHA	23172		15				4 INCHES	7057/19-9	WIRE - #18AWG, 19/30 STRAND IRRADIATED PVC, GREEN	ALPHA	23172		16				2 INCHES	FT105-3/32	TUBING - HEAT SHRINKABLE	ALPHA	23172		17				7	ABMM-A-C	CABLE TIE MOUNT - ADHESIVE BACKED	PANDUIT	00383		18				7	4522491	TERMINAL LUG - LOCKING FORK, #18-22 AWG	HOLLINGSWORTH	14726		19				2	R4142 S	TERMINAL LUG - RING, INSULATED, #18-22 AWG	HOLLINGSWORTH	14726		20				REF	SN63-WRAP 3	HOLDER	QQ-5-571			21				8	M451957-30	SCREW - #6-32 x 1/2 PAN HEAD, PHILLIPS.				22				3	M451957-43	SCREW - #8-32 x 3/8 PAN HEAD, PHILLIPS.				23				3	M435333-38	WASHER - LOCK # 8 INTERNAL TOOTH				24				1	M424693-418	SCREW - #8-32 x .375 FLU, 100°, CROSS REC				25				12 INCHES	NO. 999	TAPE - DOUBLE SIDED, TRANSPARENT, 1/2" WIDE	3M	25679		26		
		NOTE	QTY REQD	PART OR IDENTIFYING NO.	NOMENCLATURE OR DESCRIPTION	SPECIFICATION	CODE IDENT NO.	ZONE	F I N O. D	S Y M	C/I USAGE																																																																																																																																											
			6 INCHES	7057/19-1	WIRE - #18AWG, 19/30 STRAND IRRADIATED PVC, WHITE	ALPHA	23172		14																																																																																																																																													
			12 INCHES	7057/19-2	WIRE - #18AWG, 19/30 STRAND IRRADIATED PVC, BLACK	ALPHA	23172		15																																																																																																																																													
	4 INCHES	7057/19-9	WIRE - #18AWG, 19/30 STRAND IRRADIATED PVC, GREEN	ALPHA	23172		16																																																																																																																																															
	2 INCHES	FT105-3/32	TUBING - HEAT SHRINKABLE	ALPHA	23172		17																																																																																																																																															
	7	ABMM-A-C	CABLE TIE MOUNT - ADHESIVE BACKED	PANDUIT	00383		18																																																																																																																																															
	7	4522491	TERMINAL LUG - LOCKING FORK, #18-22 AWG	HOLLINGSWORTH	14726		19																																																																																																																																															
	2	R4142 S	TERMINAL LUG - RING, INSULATED, #18-22 AWG	HOLLINGSWORTH	14726		20																																																																																																																																															
	REF	SN63-WRAP 3	HOLDER	QQ-5-571			21																																																																																																																																															
	8	M451957-30	SCREW - #6-32 x 1/2 PAN HEAD, PHILLIPS.				22																																																																																																																																															
	3	M451957-43	SCREW - #8-32 x 3/8 PAN HEAD, PHILLIPS.				23																																																																																																																																															
	3	M435333-38	WASHER - LOCK # 8 INTERNAL TOOTH				24																																																																																																																																															
	1	M424693-418	SCREW - #8-32 x .375 FLU, 100°, CROSS REC				25																																																																																																																																															
	12 INCHES	NO. 999	TAPE - DOUBLE SIDED, TRANSPARENT, 1/2" WIDE	3M	25679		26																																																																																																																																															

PARTS LIST	Plessey Microsystems	CODE IDENT NO.	52648	PARTS LIST NO.	PL 701395-101	SH	4	REV LTR	B																																																																																																																																																																																													
		<table border="1"> <thead> <tr> <th>NOTE</th> <th>QTY REQD</th> <th>PART OR IDENTIFYING NO.</th> <th>NOMENCLATURE OR DESCRIPTION</th> <th>SPECIFICATION</th> <th>CODE IDENT NO.</th> <th>ZONE</th> <th>F I N O. D</th> <th>S Y M</th> <th>C/I USAGE</th> </tr> </thead> <tbody> <tr> <td></td> <td>8</td> <td>M451957-30</td> <td>SCREW - #6-32 x 1/2 PAN HEAD, PHILLIPS.</td> <td></td> <td></td> <td></td> <td>22</td> <td></td> <td></td> </tr> <tr> <td></td> <td>3</td> <td>M451957-43</td> <td>SCREW - #8-32 x 3/8 PAN HEAD, PHILLIPS.</td> <td></td> <td></td> <td></td> <td>23</td> <td></td> <td></td> </tr> <tr> <td></td> <td>3</td> <td>M435333-38</td> <td>WASHER - LOCK # 8 INTERNAL TOOTH</td> <td></td> <td></td> <td></td> <td>24</td> <td></td> <td></td> </tr> <tr> <td></td> <td>1</td> <td>M424693-418</td> <td>SCREW - #8-32 x .375 FLU, 100°, CROSS REC</td> <td></td> <td></td> <td></td> <td>25</td> <td></td> <td></td> </tr> <tr> <td></td> <td>12 INCHES</td> <td>NO. 999</td> <td>TAPE - DOUBLE SIDED, TRANSPARENT, 1/2" WIDE</td> <td>3M</td> <td>25679</td> <td></td> <td>26</td> <td></td> <td></td> </tr> <tr> <td></td> <td>8</td> <td>M451957-30</td> <td>SCREW - #6-32 x 1/2 PAN HEAD, PHILLIPS.</td> <td></td> <td></td> <td></td> <td>27</td> <td></td> <td></td> </tr> <tr> <td></td> <td>23</td> <td>M435333-37</td> <td>WASHER - LOCK # 6 INTERNAL TOOTH</td> <td></td> <td></td> <td></td> <td>28</td> <td></td> <td></td> </tr> <tr> <td>B</td> <td>20</td> <td>M451957-13</td> <td>SCREW - MACHINE #4-40 x 1/4 PAN HEAD, PHILLIPS.</td> <td></td> <td></td> <td></td> <td>29</td> <td></td> <td></td> </tr> <tr> <td></td> <td>1</td> <td>701513-100</td> <td>CABLE ASSY - AC FAN POWER</td> <td></td> <td></td> <td></td> <td>30</td> <td></td> <td></td> </tr> <tr> <td></td> <td>1</td> <td>701549-100</td> <td>CABLE ASSY - AC POWER SUPPLY</td> <td></td> <td></td> <td></td> <td>31</td> <td></td> <td></td> </tr> <tr> <td></td> <td>8</td> <td>C53635-632</td> <td>TINNERMAN NUTS - U CLIP</td> <td>EATON</td> <td>2167A</td> <td></td> <td>32</td> <td></td> <td></td> </tr> <tr> <td></td> <td>1</td> <td>701504-001</td> <td>LABEL - FUSE REPLACEMENT</td> <td></td> <td></td> <td></td> <td>33</td> <td></td> <td></td> </tr> <tr> <td></td> <td>1</td> <td>701522-100</td> <td>CABLE ASSY - AC SWITCH</td> <td></td> <td></td> <td></td> <td>34</td> <td></td> <td></td> </tr> <tr> <td></td> <td>1</td> <td>701507-001</td> <td>LABEL - VOLT/CURRENT</td> <td></td> <td></td> <td></td> <td>35</td> <td></td> <td></td> </tr> <tr> <td></td> <td>7</td> <td>PLT1.5M</td> <td>CABLE TIE - MINIATURE</td> <td>PANDUIT</td> <td>00383</td> <td></td> <td>36</td> <td></td> <td></td> </tr> <tr> <td></td> <td>1</td> <td>240A25</td> <td>RELAY - SOLID STATE</td> <td>OPTO 22</td> <td></td> <td></td> <td>37</td> <td></td> <td></td> </tr> <tr> <td></td> <td>1</td> <td>2175</td> <td>GROMMET</td> <td>H H SMITH</td> <td>83390</td> <td></td> <td>38</td> <td></td> <td></td> </tr> <tr> <td></td> <td>2</td> <td>A2867B</td> <td>FAN - 230VAC</td> <td>TORIN</td> <td>60399</td> <td></td> <td>39</td> <td></td> <td></td> </tr> </tbody> </table>									NOTE	QTY REQD	PART OR IDENTIFYING NO.	NOMENCLATURE OR DESCRIPTION	SPECIFICATION	CODE IDENT NO.	ZONE	F I N O. D	S Y M	C/I USAGE		8	M451957-30	SCREW - #6-32 x 1/2 PAN HEAD, PHILLIPS.				22				3	M451957-43	SCREW - #8-32 x 3/8 PAN HEAD, PHILLIPS.				23				3	M435333-38	WASHER - LOCK # 8 INTERNAL TOOTH				24				1	M424693-418	SCREW - #8-32 x .375 FLU, 100°, CROSS REC				25				12 INCHES	NO. 999	TAPE - DOUBLE SIDED, TRANSPARENT, 1/2" WIDE	3M	25679		26				8	M451957-30	SCREW - #6-32 x 1/2 PAN HEAD, PHILLIPS.				27				23	M435333-37	WASHER - LOCK # 6 INTERNAL TOOTH				28			B	20	M451957-13	SCREW - MACHINE #4-40 x 1/4 PAN HEAD, PHILLIPS.				29				1	701513-100	CABLE ASSY - AC FAN POWER				30				1	701549-100	CABLE ASSY - AC POWER SUPPLY				31				8	C53635-632	TINNERMAN NUTS - U CLIP	EATON	2167A		32				1	701504-001	LABEL - FUSE REPLACEMENT				33				1	701522-100	CABLE ASSY - AC SWITCH				34				1	701507-001	LABEL - VOLT/CURRENT				35				7	PLT1.5M	CABLE TIE - MINIATURE	PANDUIT	00383		36				1	240A25	RELAY - SOLID STATE	OPTO 22			37				1	2175	GROMMET	H H SMITH	83390		38				2	A2867B	FAN - 230VAC	TORIN	60399		39
NOTE	QTY REQD	PART OR IDENTIFYING NO.	NOMENCLATURE OR DESCRIPTION	SPECIFICATION	CODE IDENT NO.	ZONE	F I N O. D	S Y M	C/I USAGE																																																																																																																																																																																													
	8	M451957-30	SCREW - #6-32 x 1/2 PAN HEAD, PHILLIPS.				22																																																																																																																																																																																															
	3	M451957-43	SCREW - #8-32 x 3/8 PAN HEAD, PHILLIPS.				23																																																																																																																																																																																															
	3	M435333-38	WASHER - LOCK # 8 INTERNAL TOOTH				24																																																																																																																																																																																															
	1	M424693-418	SCREW - #8-32 x .375 FLU, 100°, CROSS REC				25																																																																																																																																																																																															
	12 INCHES	NO. 999	TAPE - DOUBLE SIDED, TRANSPARENT, 1/2" WIDE	3M	25679		26																																																																																																																																																																																															
	8	M451957-30	SCREW - #6-32 x 1/2 PAN HEAD, PHILLIPS.				27																																																																																																																																																																																															
	23	M435333-37	WASHER - LOCK # 6 INTERNAL TOOTH				28																																																																																																																																																																																															
B	20	M451957-13	SCREW - MACHINE #4-40 x 1/4 PAN HEAD, PHILLIPS.				29																																																																																																																																																																																															
	1	701513-100	CABLE ASSY - AC FAN POWER				30																																																																																																																																																																																															
	1	701549-100	CABLE ASSY - AC POWER SUPPLY				31																																																																																																																																																																																															
	8	C53635-632	TINNERMAN NUTS - U CLIP	EATON	2167A		32																																																																																																																																																																																															
	1	701504-001	LABEL - FUSE REPLACEMENT				33																																																																																																																																																																																															
	1	701522-100	CABLE ASSY - AC SWITCH				34																																																																																																																																																																																															
	1	701507-001	LABEL - VOLT/CURRENT				35																																																																																																																																																																																															
	7	PLT1.5M	CABLE TIE - MINIATURE	PANDUIT	00383		36																																																																																																																																																																																															
	1	240A25	RELAY - SOLID STATE	OPTO 22			37																																																																																																																																																																																															
	1	2175	GROMMET	H H SMITH	83390		38																																																																																																																																																																																															
	2	A2867B	FAN - 230VAC	TORIN	60399		39																																																																																																																																																																																															

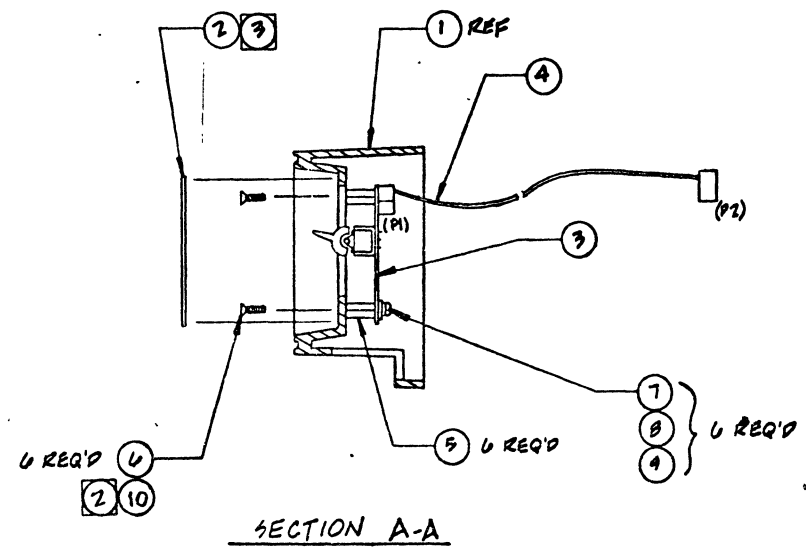
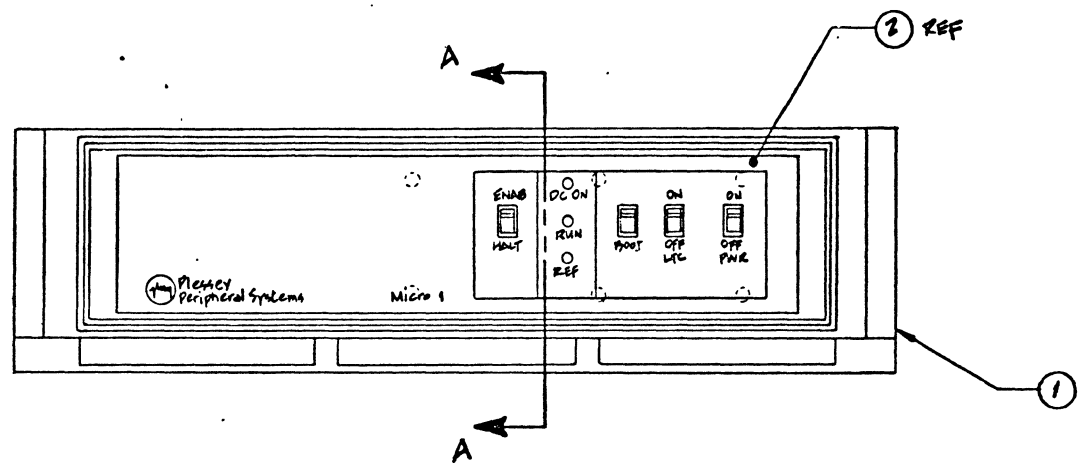
The information hereon is the property of PLESSEY PERIPHERAL SYS. Transmittal receipt or possession of the information does not imply license, or imply any rights to use, sell, or manufacture from this information and no reproduction or publication of it, in whole or in part, shall be made without written authorization from PLESSEY PERIPHERAL SYS.

CODE IDENT NO. 52648  
 DWG NO. PL 701395-101  
 SHEET 1 of 2



The information herein is the property of PLESSEY MICROSYSTEMS. Transmittal, receipt or possession of the information does not imply license or any rights to use, sell, or manufacture from the information and no reproduction or publication of it, in whole or in part, shall be made without written authorization from PLESSEY MICROSYSTEMS.

REVISIONS				
ZONE	LTR	DESCRIPTION	DATE	APPROVED
A		REL TO PROD PER EO 2331	5-12-78	[Signature]



4. TAG ASSEMBLY WITH PART NUMBER AND LATEST REVISION LETTERS.
  3. REMOVE PROTECTIVE BACKING FROM ADHESIVE ON REAR OF OVERLAY (ITEM 2) AND POSITION OVERLAY SYMMETRICALLY WITHIN CASTING AS SHOWN. SWITCHES MUST MOVE FREELY WITHIN CUTOUTS.
  2. PRIOR TO INSTALLATION OF SCREWS (ITEM 6) COAT THREADS WITH LOCTITE (ITEM 10) AND THEN INSERT THROUGH FRONT PANEL (ITEM 1) AND FASTEN SECURELY TO STANDOFFS (ITEM 5).
  1. ASSEMBLE AND INSPECT PER WORKMANSHIP STANDARDS MANUAL.
- NOTES: UNLESS OTHERWISE SPECIFIED.

PRODUCTION RELEASE

PART/ASSY NO. & QTY PER ASSY		PARTS LIST		SPEC/SOURCE	CODE IDENT NO.	FIND NO.
						5
						4
						3
						2
						1
X		FOR PARTS LIST SEE PL701574-100				
-100		NOTE PART OR IDENTIFYING NO.		NOMENCLATURE OR DESCRIPTION / MATERIAL		
100		701574-100 MICRO 1		Plessey Microsystems		
NEXT ASSY USED ON		APPLICATION		CONTRACT NO.		
				DRAWN Tony Nusslein 13 JAN 1978		
				CHECK [Signature] 2-8-78		
				ENGR [Signature] 2-9-78		
				PROJ. ENGR [Signature] 2-9-78		
				PROD. DESIGN [Signature] 2-8-78		
				OTHER APPROVALS		
				DWG TITLE		
				CONSOLE SUB-ASSY MICRO 1		
				SIZE CODE IDENT NO. DWG NO.		
				D 5264B 701574		
				SCALE: 1/2		
				SHEET 1 OF 1		
				DISTR NO. 123470		

701574

PARTS LIST	Plessey Microsystems	PREPARED BY	K. NUSKIN	1/14/78	PL 701574-100	B		
		CHECKED BY	R. T. ...	2-8-78				
		RESP ENG	R. ...	2-9-78	CODE IDENT NO.	52648	SH 1	OF 2
		APPRY	...	2-10-78	MODEL NO.	MICRO 1		
		DOC CONTROL	...	2-13-78				

LTR	DESCRIPTION	DATE	APPROVED	LTR	DESCRIPTION	DATE	APPROVED
A	REL TO PROD PER EO 2331	5-11-77	[Signature]				
B	INCORP EO 3737	7-7-80	[Signature]				

PRODUCTION RELEASE

REV STATUS OF SHEETS	REV LTR	B	B														
SHEET	1	2	3	4	5	6	7	8	9	10							

PARTS LIST	Plessey Microsystems	CODE IDENT NO.	52648	PARTS LIST NO.	PL 701574-100	SH	2	REV LTR	B
------------	----------------------	----------------	-------	----------------	---------------	----	---	---------	---

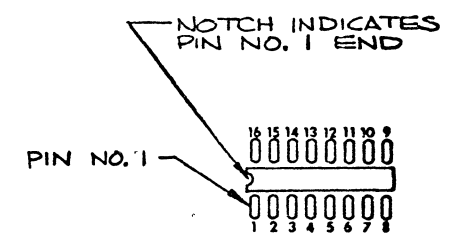
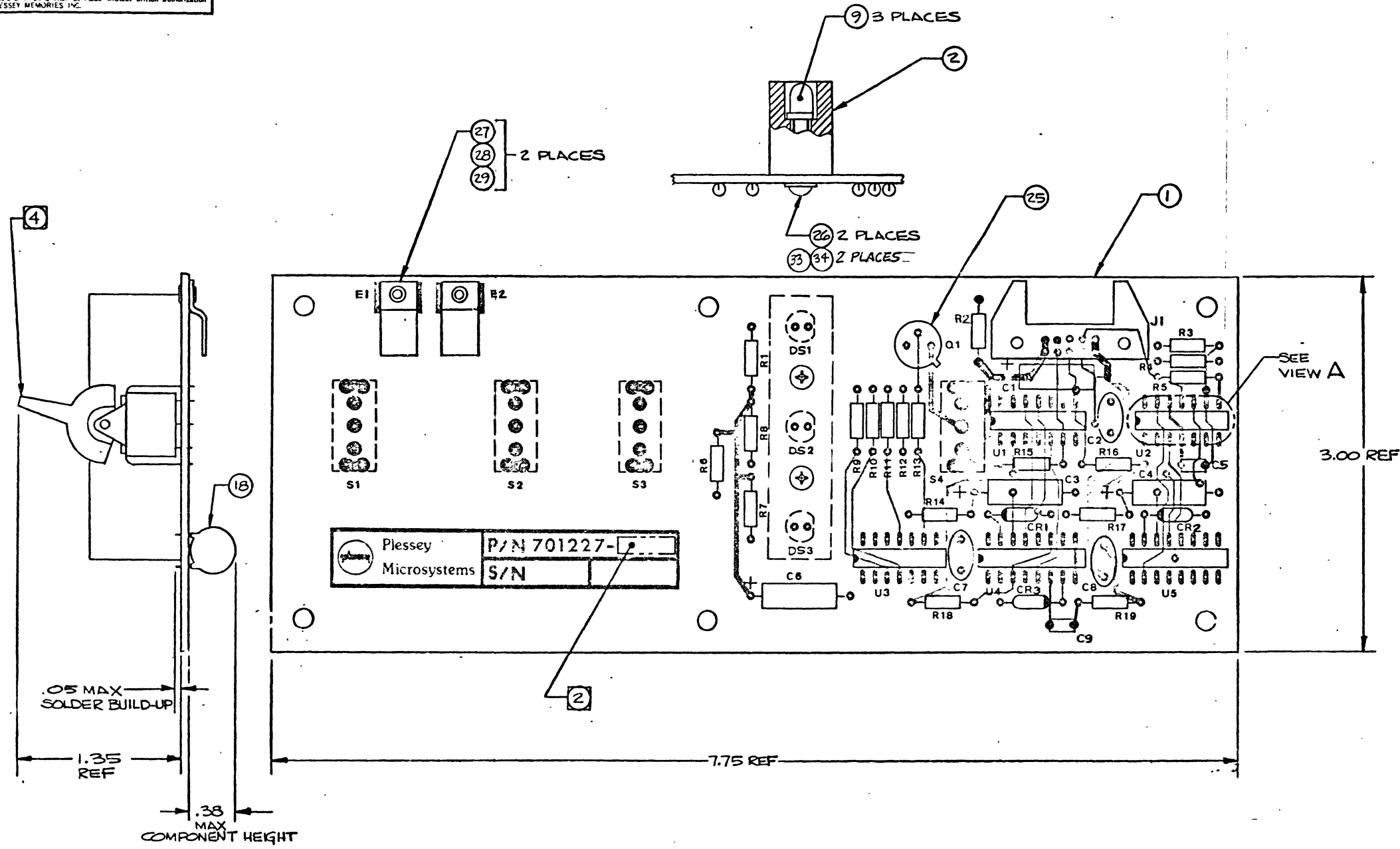
REV LTR	QTY REQD	PART OR IDENTIFYING NO.	NOMENCLATURE OR DESCRIPTION	SPECIFICATION	CODE IDENT NO.	ZONE	FINISH	SW	C/I USAGE				
									C/I CODE	INT OR HAND	P A R	UNIT COST	
B	1	703179-001	FRONT PANEL				1						
	1	701502-001	OVERLAY				2						
	1	701227-100	PWB ASSY - CONTROL PANEL MICRO 1				3						
	1	701297-100	CABLE ASSY - INTERFACE FRONT PANEL, MICRO 1				4						
	6	B396-54-0632	STANDOFF - 5/16 HEX X .025L, #6-32.	AMATOM	06540		5						
	U	M451493-026	SCREW - #6-32 X 3/8L, FLT HD 100°, CROSS REC...				6						
	U	M451957-28	SCREW - #6-32 X 3/8L, PAN HEAD, CROSS REC.				7						
	U	M451795-806	WASHER, FLAT #6				8						
	U	M455333-37	WASHER, LOCK #6, INT TOOTH				9						
	REF	GRADE E	THREAD SEALER - HIGH STRENGTH.	LOCTITE	05972		10						

The information hereon is the property of PLESSEY PERIPHERAL SYS. Transmittal receipt or possession of the information does not imply license, or imply any rights to use, sell, or manufacture from this information and no reproduction or publication of it, in whole or in part, shall be made without written authorization from PLESSEY PERIPHERAL SYS.

SIZE	CODE IDENT NO.	DWG NO.	REV	SHEET	1 of 1
B	52648	PL 701574-100	B	B	1 of 1

The information herein is the property of PLESSEY MEMORIES INCORPORATED. Transmission, or possession of the information does not convey license, or any rights to use, sell, or manufacture from this information and no reproduction or publication of it, in whole or in part, shall be made without written authorization from PLESSEY MEMORIES INC.

REVISIONS			
ZONE/LTR	DESCRIPTION	DATE	APPROVED
A	REL TO PROD PER ERO 501450	5-11-77	[Signature]
B	INCRP EO1767	LL 12-22-77	[Signature]



VIEW A  
TYPICAL PIN ORIENTATION  
FOR ALL I.C.'S  
SCALE: NONE

PRODUCTION RELEASE

- 5 NO SUBSTITUTION PERMITTED ON ITEM 4.(U2).
  - 4 ALL TOGGLE HANDLES OF S1, S2, S3 & S4 MUST BE IN INDICATED POSITION AT TIME OF ASSEMBLY.
  - 3. FOR SCHEMATIC DIAGRAM SEE SD701227.
  - 2 MARK ASSEMBLY DASH NO., LATEST REVISION LETTER WITH .12 HIGH CHARACTERS USING BLACK INK PER MIL-M-13231, GROUP III, APPROXIMATELY WHERE SHOWN.
  - 1. ASSEMBLE AND INSPECT PER WORKMANSHIP STANDARDS MANUAL.
- NOTES: UNLESS OTHERWISE SPECIFIED

PART/ASSY NO. & QTY PER ASSY	PARTS LIST	SPEC/SOURCE	CODE IDENT NO.	FIND NO.
X	FOR PARTS LIST SEE PL701227-100			1
				2
				3
				4
				5

PART/ASSY REV LTR		DO NOT SCALE DRAWING		CONTRACT NO.	
		SCREW THREADS PER HANDBOOK H-38		Plessey Memories Incorporated Santa Ana, California	
		COUNTERBORE AND SPOTFACE FILLET RADI TO BE .015 MAXIMUM		DRAWN [Signature] 1-5-77	
		REMOVE ALL BURRS AND BREAK SHARP EDGES EQUIVALENT TO .015		CHECK [Signature] 3-17-77	
		ROUGHNESS OF MACHINED SURFACES 125 PER USAS: S4.1		ENGR [Signature] 3-17-77	
		STANDARD HOLE TOLERANCE PER AND 1000		PROD. DESIGN [Signature] 4-19-77	
		TOLERANCES ON: XX = ± .005, YY = ± .003, ZZ = ± .001		SIZE   CODE IDENT NO.   DWG NO.	
		INTERPRET DIMENSIONS AND TOLERANCES PER USAS: T14.1		D   52648   701227	
		DIMENSIONS ARE IN INCHES AND APPLY AFTER HEAT TREAT AND FINISH		OTHER	
		UNLESS OTHERWISE SPECIFIED		APPROVALS	
100 701299-100 MICRO-1		NEXT ASSY USED ON		SCALE: 2/1	
APPLICATION				SHEET 1 OF 1	
				DISTR NO. 123470	

<b>PARTS LIST</b>	<b>Plessey Memories Incorporated</b> Santa Ana, California	DATE: 1/27/77 BY: [Signature]	PARTS LIST NO.: PL701227-100	REV LTR: B
BOARD ASSEMBLY, CONTROL PANEL MICRO-1		DATE: 3-17-77 BY: [Signature]	CODE IDENT NO.: 52648	SH 1 OF 3

LTR	DESCRIPTION	DATE	APPROVED	LTR	DESCRIPTION	DATE	APPROVED
A	RELTOPROD PER ERO 501450	8-11-77	[Signature]				
B	INCCORP E01767	LL 12-22-77	[Signature]				

PRODUCTION RELEASE

REV STATUS OF SHEETS	REV LTR	B	A	A	B	B										
SHEET		1	2	3	4	5	6	7	8	9	10					

<b>PARTS LIST</b>	<b>Plessey Memories Incorporated</b> Santa Ana, California	CODE IDENT NO.: 52648	PARTS LIST NO.: PL701227-100	SH 2	REV LTR: A
-------------------	---------------------------------------------------------------	-----------------------	------------------------------	------	------------

REFERENCE DESIGNATION	F I N D	REFERENCE DESIGNATION	F I N D	REFERENCE DESIGNATION	F I N D	REFERENCE DESIGNATION	F I N D
U1	3	R13	16				29
U2	4	C1, 3, 4, 6	17				30
U3	5	C2, 7, 8	18				31
U4, 5	6	C9	19	R19			32
Q1	7	C5	20				
CR1, 2, 3	8	S2, 4	21				
DS1, 2, 3	9	S1	22				
R1, 7, 8	10	S3	23				
R6, 9, 10, 11, 12, 18	11	J1	24				
R2, 5, 15, 16	12		25				
R4	13		26				
R14, 17	14	E1, 2	27				
R3	15		28				

<b>PARTS LIST</b>	<b>Plessey Microsystems</b>	CODE IDENT NO.: 52648	PARTS LIST NO.: PL701227-100	SH 3	REV LTR: A
-------------------	-----------------------------	-----------------------	------------------------------	------	------------

NOTE	QTY REQD	PART OR IDENTIFYING NO.	NOMENCLATURE OR DESCRIPTION	SPECIFICATION	CODE IDENT NO.	ZONE	F I N D	S Y M	C/I USAGE	INT ON HAND	P A R	UNIT COST
	1	EA 701226-001	BOARD, CONTROL PANEL				1	B				
	1	EA 701227-001	BLOCK, MTG-LED				2	B				
	1	EA \$N7438N	I.C./ QUAD 2-INPUT POS-NAND BUFFERS W/OC	T. I.	01295		3	A				
5	1	EA 13L021-380	I.C./QUAD 2-INPUT NOR-GATES				4	A				
	1	EA \$N7406N	I.C./ HEX INVERTER BUFFERS/DRIVERS W/OC	T. I.	01295		5	A				
	2	EA \$N74123N	I.C./ DUAL RETRIG MONO MULTI W/CLEAR	T. I.	01295		6	A				
	1	EA 2N3725	TRANSISTOR	FAIRCHILD	07263		7	A				
	3	EA 138000-001	DIODE				8	A				
	3	EA CM4-73A	DIODE, LIGHT EMITTING	CHICAGO MINIATURE	71744		9	A				
	3	EA RC07GF221J	RESISTOR/220Ω, ±5%, 1/4W	MIL-R-11			10	A				
	6	EA RC07GF471J	RESISTOR/470Ω, ±5%, 1/4W	MIL-R-11			11	A				
	4	EA RC07GF181J	RESISTOR/180Ω, ±5%, 1/4W	MIL-R-11			12	A				
	1	EA RC07GF391J	RESISTOR/390Ω, ±5%, 1/4W	MIL-R-11			13	A				

<b>PARTS LIST</b>	<b>Plessey Microsystems</b>	CODE IDENT NO.: 52648	PARTS LIST NO.: PL701227-100	SH 4	REV LTR: B
-------------------	-----------------------------	-----------------------	------------------------------	------	------------

NOTE	QTY REQD	PART OR IDENTIFYING NO.	NOMENCLATURE OR DESCRIPTION	SPECIFICATION	CODE IDENT NO.	ZONE	F I N D	S Y M	C/I USAGE	INT ON HAND	P A R	UNIT COST
	2	EA RC07GF393J	RESISTOR/39K, ±5%, 1/4W	MIL-R-11			14	A				
	1	EA RC07GF331J	RESISTOR/330Ω, ±5%, 1/4W	MIL-R-11			15	A				
	1	EA RC07GF101J	RESISTOR/100Ω, ±5%, 1/4W	MIL-R-11			16	A				
	4	EA 150D156X0020B2	CAPACITOR/15UF, ±20%, 20V	SPRAGUE	05571		17	A				
	3	EA C069B160E103Z	CAPACITOR/.01UF, +80-20%, 16V	SPRAGUE	05571		18	A				
	1	EA CK05BX104K	CAPACITOR/.1UF, ±10%, 50V	MIL-C-11015			19	A				
	1	EA CK05BX102K	CAPACITOR/.001UF, ±10%, 100V	MIL-C-11015			20	A				
	2	EA 7101-J2-V3-E WITH WHT(1)ROCKER	SWITCH/SPDT, PC MOUNT, WHITE ROCKER, SEALED	C & K	09353		21	A				
	1	EA 7101-J2-V3-E	SWITCH/SPDT, PC MOUNT, BLACK ROCKER, SEALED	C & K	09353		22	A				
	1	EA 7108-J2-V3-E WITH WHT(1)ROCKER	SWITCH/SPDT, MOM., PC MOUNT, WHITE ROCKER, SEALED	C & K	09353		23	A				
	1	EA 609-1002M	CONNECTOR/10 PIN HEADER	ANSLEY	15912		24	A				
	1	EA 10079	PAD, TRANSISTOR/TO-5	MILTON ROSS	07047		25	A				
	2	EA M551957-27	SCREW/6-32x5/16 PAN HEAD				26	A				

The information hereon is the property of PLESSEY PERIPHERAL SYS. Transmittal receipt or possession of the information does not imply license, or imply any rights to use, sell, or manufacture from this information and no reproduction or publication of it, in whole or in part, shall be made without written authorization from PLESSEY PERIPHERAL SYS.

CODE IDENT NO. DWG NO. PL 701227-100  
 SIZE B SCALE  
 REV B  
 SHEET 1 OF 2



PARTS LIST		Plessey Microsystems		CODE IDENT NO.	PARTS LIST NO.	SH	REV						
				52648	PL701227-100	5	B						
QTY	REQD	PART OR IDENTIFYING NO.	NOMENCLATURE OR DESCRIPTION	SPECIFICATION	CODE IDENT NO.	ZONE	F I N D	S Y M	C/I USAGE				
									C/I CODE	INT ON HAND	P A R	UNIT COST	
2	EA	41347	TERMINAL/.250 TAB	AMP	04618		27A						
2	EA	MS16535-65N	RIVET				28C						
	REF	SN63 WRAP3	SOLDER	QQ-S-571			29G						
	REF	SK SD701227	SCHEMATIC DIAGRAM				30						
							31						
1	EA	RC07GF682J	RESISTOR/6.8K, ±5%, 1/4W	MIL-R-11			32A						
B	2	EA	MS15795-805	WASHER N°6 FLAT			33						
B	2	EA	MS35338-41	WASHER N°6 SPRING LOCK			34						

The information hereon is the property of PLESSEY PERIPHERAL SYS. Transmittal, receipt or possession of the information does not constitute license, or imply any rights to use, sell, or manufacture from this information and no reproduction or publication of it, in whole or in part, shall be made without written authorization from PLESSEY PERIPHERAL SYS.

SIZE **B** SCALE **A**

CODE IDENT NO. 52648

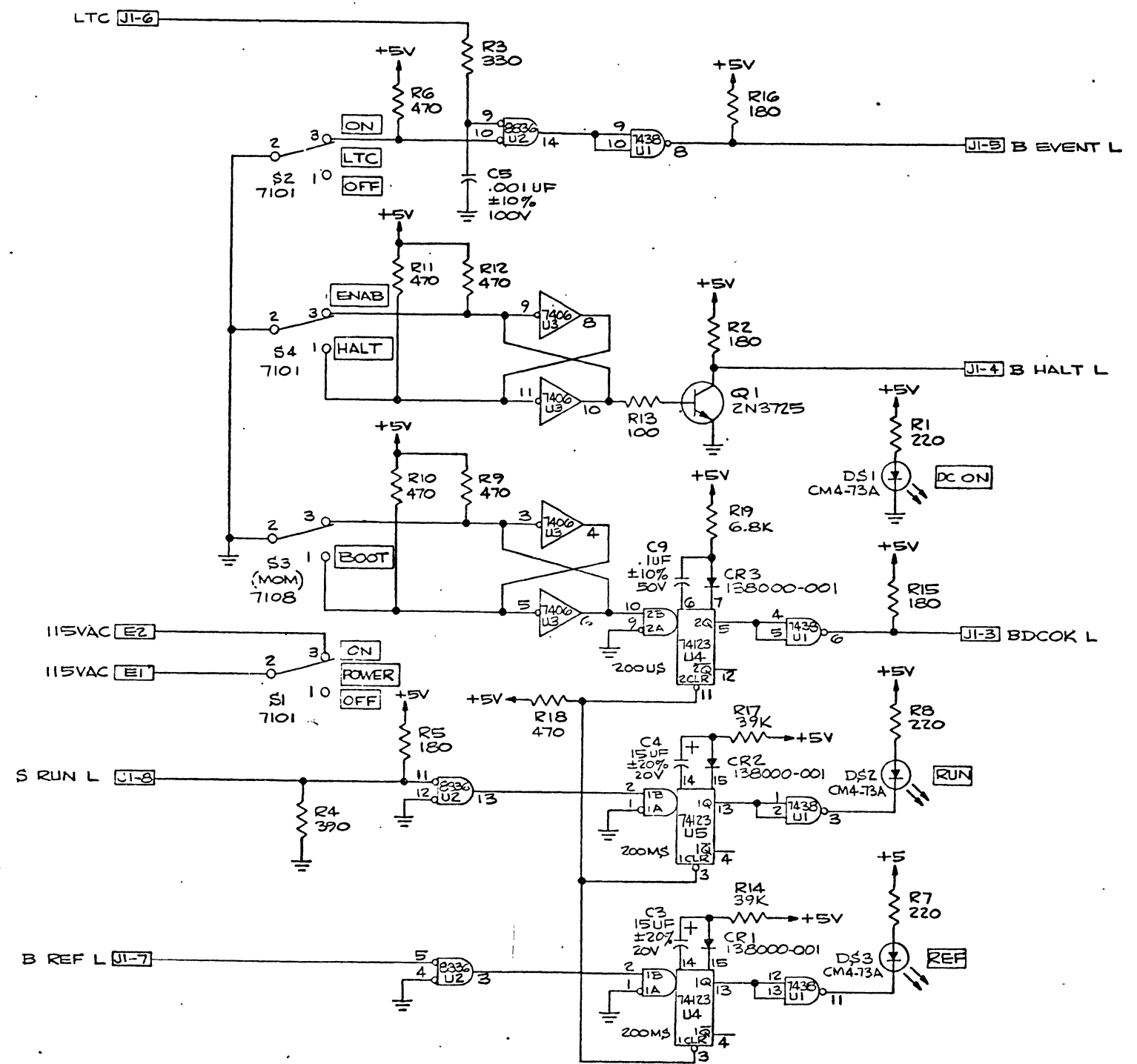
DWG NO. PL 701227-100

REV B

SHEET 2 of 2

The information herein is the property of PLESSEY MICROSYSTEMS. Transmittal receipt or possession of the information does not constitute license or imply any rights to use, sell, or manufacture from this information and no reproduction or publication of it, in whole or in part, shall be made without written authorization from PLESSEY MICROSYSTEMS.

REVISIONS			
ZONE	LTR	DESCRIPTION	DATE
	A	REL TO PROD. PER ERO 501450	8-11-77



LAST DESIGNATION USED	
CAPACITOR	C9
DIODE	CR3
DIODE, LIGHT EMIT	DS3
TERMINAL	E2
CONNECTOR	J1
TRANSISTOR	Q1
RESISTOR	R19
SWITCH	S4
INTEGRATED CKT	U5

REF. DESIG.	GATES USED PER TOTAL	PART NO.
U2	3/4	8836
U3	4/6	7406
U5	1/2	74123

PRODUCTION RELEASE

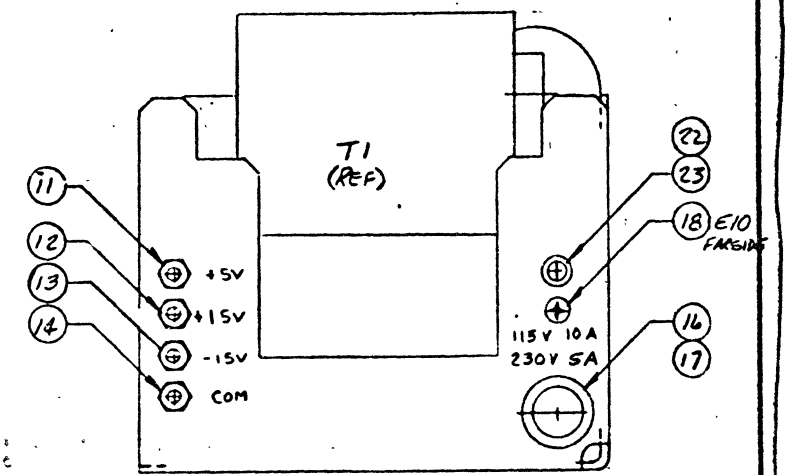
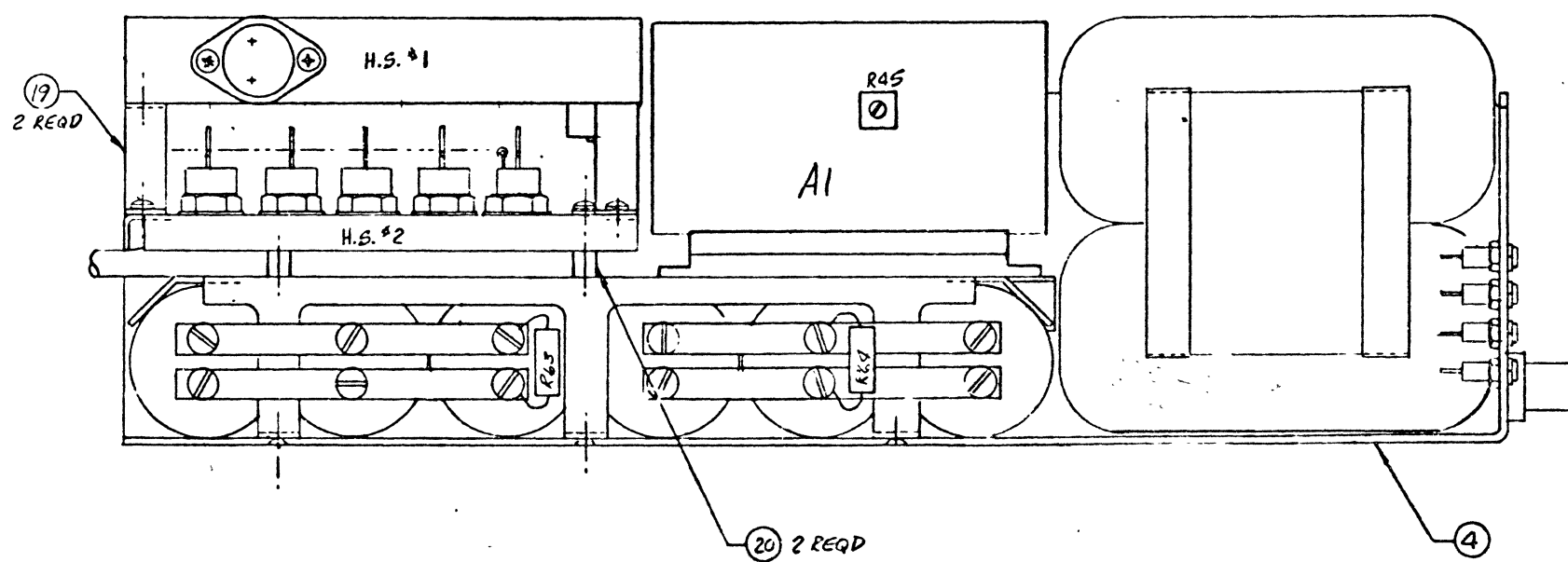
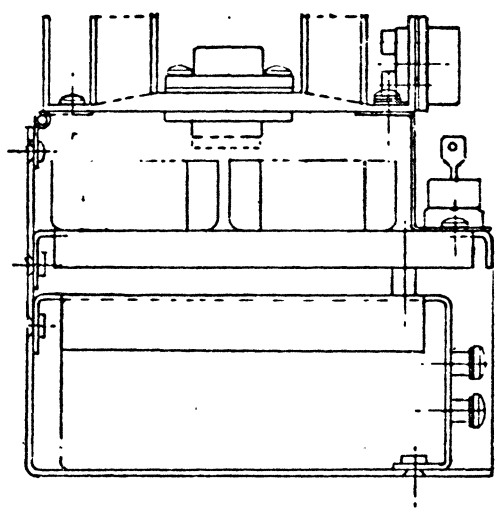
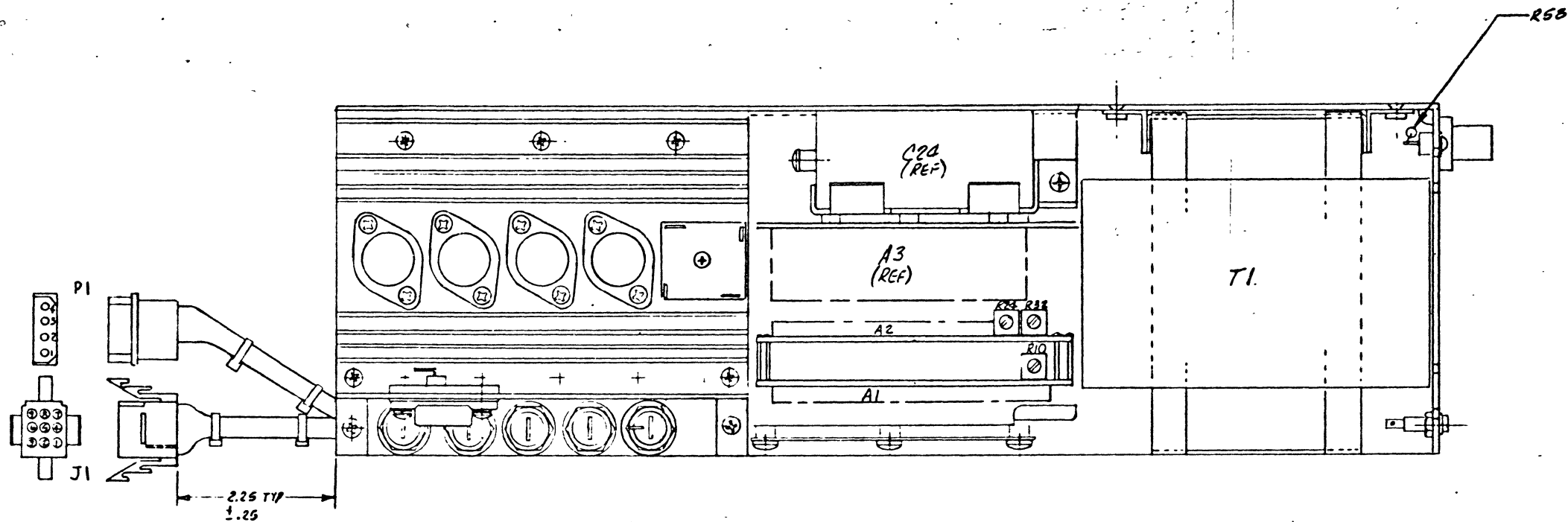
PART/ASSY NO. & QTY PER ASSY		NOTE	PART OR IDENTIFYING NO.	NOMENCLATURE OR DESCRIPTION / MATERIAL	SPEC/SOURCE	CODE IDENT NO.	FIND NO.
PART/ASSY REV LTR		PARTS LIST					
701227-100 MICRO-1		DO NOT SCALE DRAWING					
NEXT ASSY USED ON		SCREW THREADS PER HANDBOOK H-28					
APPLICATION		COUNTERBORE AND SPOTFACE FILLET RADI TO BE 2X MAXIMUM					
		REMOVE ALL BURRS AND BREAK SHARP EDGES EQUIVALENT TO 2R					
		ROUGHNESS OF MACHINED SURFACES 125 PER USAS B46.1					
		STANDARD HOLE TOLERANCE PER AND 1087					
		TOLERANCES ON .32" & .03" .000" & .015" ANGLES = 5° & 30°					
		INTERPRET DIMENSIONS AND TOLERANCES PER USAS Y14.5					
		DIMENSIONS ARE IN INCHES AND APPLY AFTER PLAT TREAT AND FINISH UNLESS OTHERWISE SPECIFIED					
		CONTRACT NO.		Plessey Microsystems			
		DRAWN		DWG TITLE			
		CHECK		SCHEMATIC DIAGRAM, CONTROL PANEL - MICRO-1			
		ENGR		SIZE			
		PROJ. ENGR		CODE IDENT NO.			
		PROD. DESIGN		DWG NO.			
		OTHER		D 52648 SD701227			
		APPROVALS		SCALE: NONE			
				SHEET 1 OF 1			
				DISTR NO 19090			

SPARES

2. U1,3 PIN 14 +5V, PIN 7 GND.  
 U2 PIN 8 +5V, PIN 1 GND.  
 U4,5 PIN 16 +5V, PIN 8 GND.

1. ALL RESISTOR VALUES ARE IN OHMS, ±5%, 1/4W.

NOTES: UNLESS OTHERWISE SPECIFIED

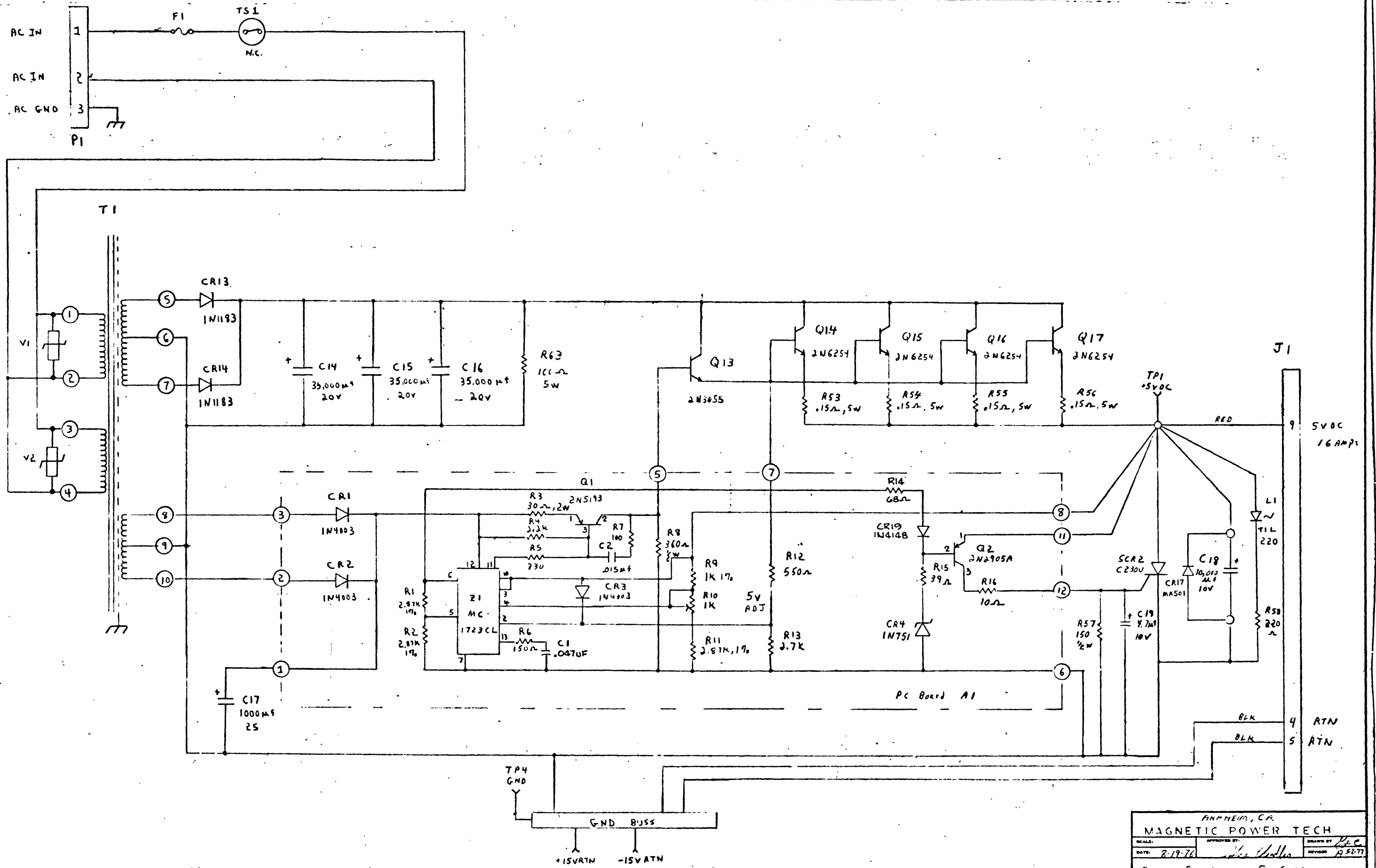


SEE P/L MPT 01104-101

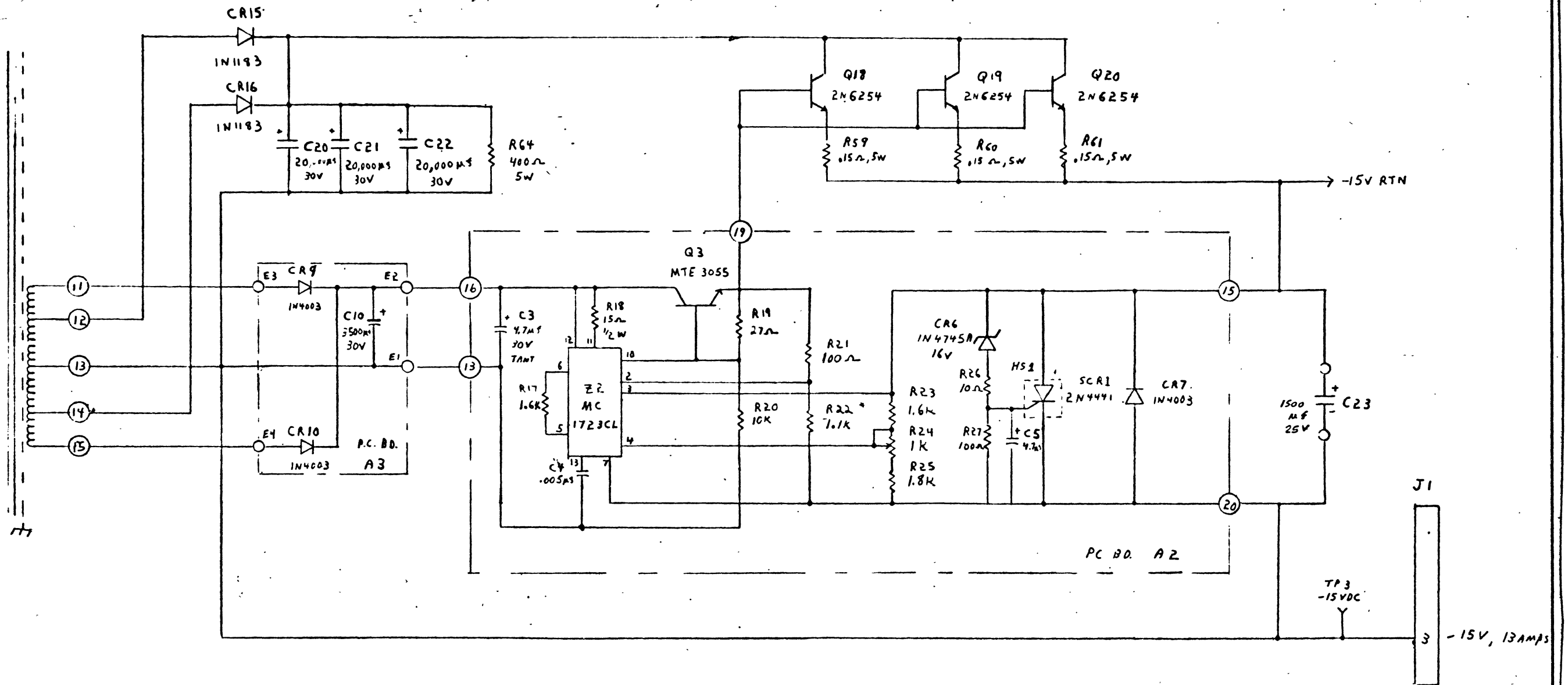
MAGNETIC POWER TECH

SCALE: FULL	APPROVED BY:	DRAWN BY: J. M. L.
DATE: 9.11.76		REVISED BY: M. S. L.
POWER SUPPLY ASSY (P. LESSEY DES.)		
100084	DRAWING NUMBER: MPT01104	





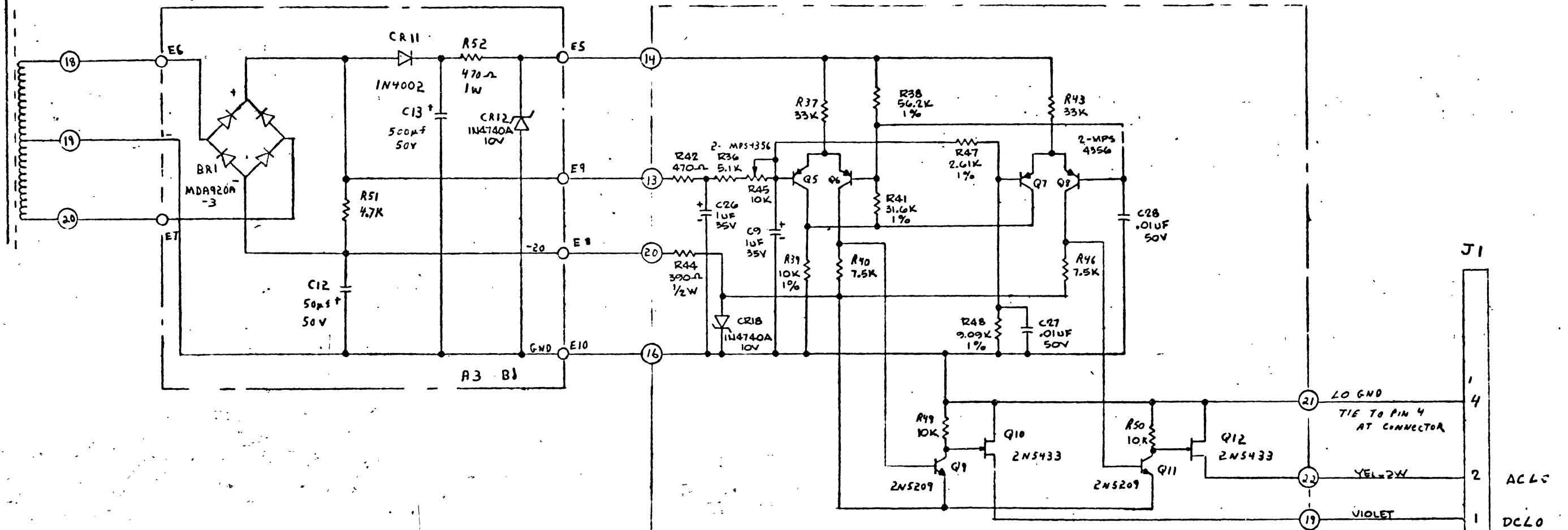
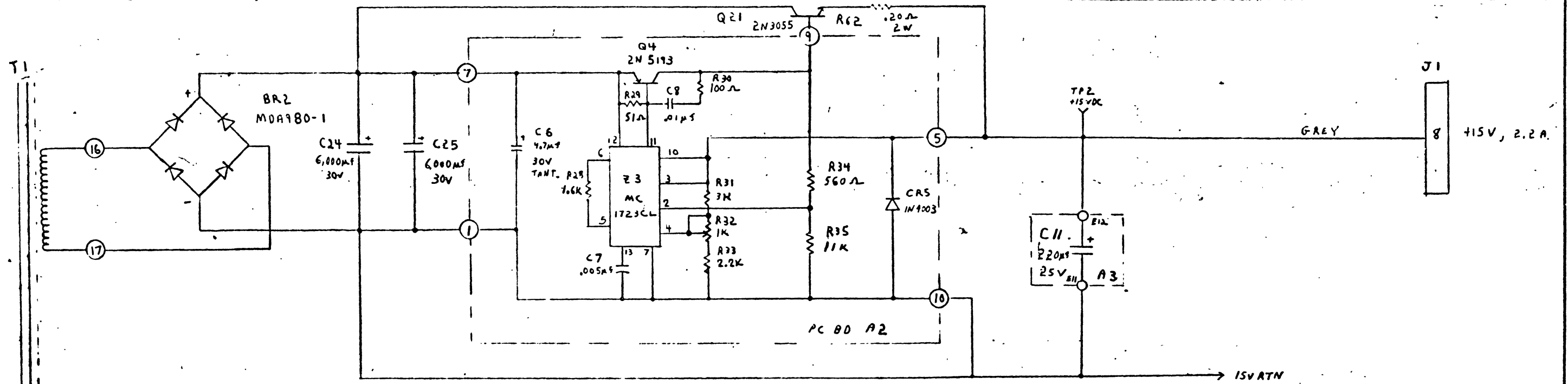
ANNHEIM, CA.			
MAGNETIC POWER TECH			
SCALE:	APPROVED BY:	DATE:	DESIGNED BY:
		8-19-76	W. J. HULL
			REVISION: 195277
Power Supply		5V @ 16 AMPS	
MPT011C2		100054	
DRAWING NUMBER			



A TEST SELECT

MAGNETIC POWER TECH			
SCALE:	APPROVED BY:	DATE:	DRAWN BY: JBC
		8/19/76	REVIEW: ASJ
Power Supply -15V @ 13AMP			DRAWING NUMBER:
MPT 01102 100054			

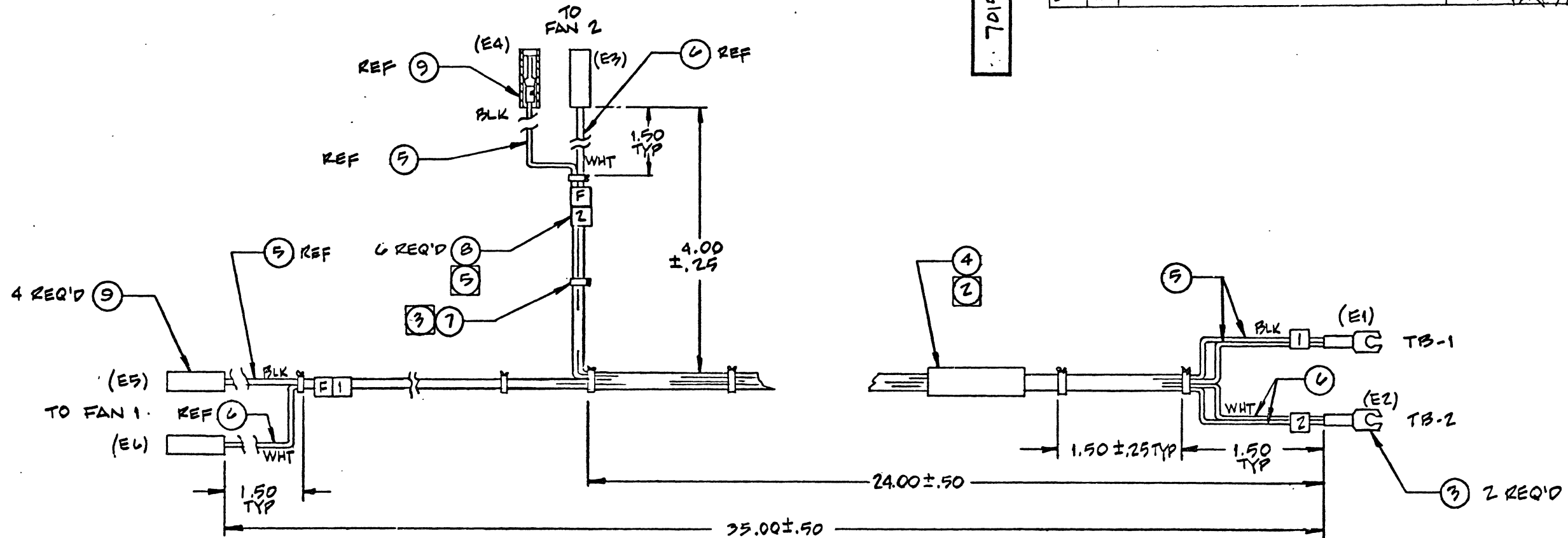




<b>MAGNETIC POWER TECH</b>		
SCALE:	APPROVED BY:	DRAWN BY: <i>llc</i>
DATE: 8/19/76	<i>[Signature]</i>	REVISED: <i>A55</i>
POWER SUPPLY +15VDC & LOGIC		
MPT 01102 100054		DRAWING NUMBER

The information hereon is the property of PLESSEY PERIPHERAL SYS. Transmittal receipt or possession of the information does not comply, license, or imply any rights to use, sell, or manufacture from this information and no reproduction or publication of it, in whole or in part, shall be made without written authorization from PLESSEY PERIPHERAL SYS.

REVISIONS				
ZONE	LTR	DESCRIPTION	DATE	APPROVED
/	A	REL TO PROD PER EO 2331	5-11-77	<i>[Signature]</i>
/	B	REVISED PER EO 2361	6-19-78	<i>[Signature]</i>



4

WIRE LIST		
FROM	TO	WIRE COLOR
E1	E4	BLK
E1	E5	BLK
E2	E3	WHT
E2	E6	WHT

PRODUCTION RELEASE

- A
- ⑤ AFFIX ITEM 8 AS SHOWN USING APPROPRIATELY NUMBERED MARKER.
  - ④ WIRE PER WIRING CHART SHOWN.
  - ③ SPOT TIE WIRE BUNDLES USING ITEM 7 AS REQUIRED.
  - ② MARK PART NUMBER AND LATEST REVISION LETTER WITH .12-HIGH CHARACTERS USING BLACK INK PER MIL-M-13231, GROUP III.
1. ASSEMBLE AND INSPECT PER WORKMANSHIP STANDARDS MANUAL.

NOTES: UNLESS OTHERWISE SPECIFIED

PART/ASSY NO. & QTY PER ASSY		PARTS LIST		SPEC/SOURCE		CODE IDENT NO.	FIND NO.
-100		FOR PARTS LIST SEE PL 701513-100					
PART/ASSY REV LTR		CONTRACT NO.		Plessey Peripheral Systems			
-100 701395-101 MICRO 1		DRAWN Tony Nuakin 13 JAN 1978		DWG TITLE			
-100 701395-100 MICRO 1		CHECK <i>[Signature]</i> 2-8-78		CABLE ASSEMBLY- AC FAN POWER			
PART NO. NEXT ASSY USED ON APPLICATION		PROJ. ENGR <i>[Signature]</i> 2-9-78		SIZE		CODE IDENT NO.	DWG NO.
		PROD. DESIGN <i>[Signature]</i> 2-9-78		C		52648	701513
		OTHER <i>[Signature]</i> 3-10-78		SCALE: NONE		SHEET 1 OF 1	
		APPROVALS		DISTR NO. 123470/D			





PARTS LIST	Plessey Microsystems	PREPARED BY	T. NUGGIN	1/9/78	PARTS LIST NO.	PL 701522-100	REV LTR	A
		CHECKED BY	J. Jenkins	2-8-78		CODE IDENT NO.	52648	SH
		RESP ENG	J. McQuinn	2-8-78		1234570	OF	2
		APPRV	J. Bell	2-10-78	MODEL NO.	MICRO 1		
CABLE ASSEMBLY - AC SWITCH		DOC CONTROL	J. Bell	2-13-78				

LTR	DESCRIPTION	DATE	APPROVED	LTR	DESCRIPTION	DATE	APPROVED
A	REL TO PROD PER EO 2331	5-18-78	[Signature]				

PRODUCTION RELEASE

REV STATUS OF SHEETS	REV LTR	A	A														
SHEET		1	2	3	4	5	6	7	8	9	10						

PARTS LIST	Plessey Microsystems	CODE IDENT NO.	52648	PARTS LIST NO.	PL 701522-100	SH	2	REV LTR	A
------------	----------------------	----------------	-------	----------------	---------------	----	---	---------	---

QTY REQD	PART OR IDENTIFYING NO.	NOMENCLATURE OR DESCRIPTION	SPECIFICATION	CODE IDENT NO.	ZONE	FIN O. D.	SY H.	C/I USAGE				
								C/I CODE	INV OR HAND	P A R	UNIT COST	
2	409860	TERMINAL - LUG, SLIP-ON #18-22 AWG	HOLLINGSWORTH	14726		1						
2	4722497	TERMINAL - LUG, LOCKING FORK #18-22 AWG	HOLLINGSWORTH	14726		2						
32 INCHES	7055/19-2	WIRE #22AWG, 19/39 STRANDED IRRADIATED PVC, BLACK	ALPHA	23172		3						
32 INCHES	7055/19-1	WIRE #22AWG, 19/39 STRANDED IRRADIATED PVC, WHITE	ALPHA	23172		4						
1	PLMIM-C10	MARKER - IDENTIFICATION	PANDUIT	06383		5						
24 INCHES	LC-136	LACING CORD - FLAT	ALPHA	23172		6						
2	B-702 TMM-O-49	MARKER - WIRE	WH BRADY	85480		7						
1	B-500 WM-E1	MARKER, WIRE	WH BRADY	85480		8						
1	B-500 WM-E2	MARKER, WIRE	WH BRADY	85180		9						

The information hereon is the property of PLESSEY PERIPHERAL SYS. Transmittal receipt or possession of the information does not imply license, or imply any rights to use, sell, or manufacture from this information and no reproduction or publication of it, in whole or in part, shall be made without written authorization from PLESSEY PERIPHERAL SYS.

SIZE **B** SCALE **A**

CODE IDENT NO. 52648

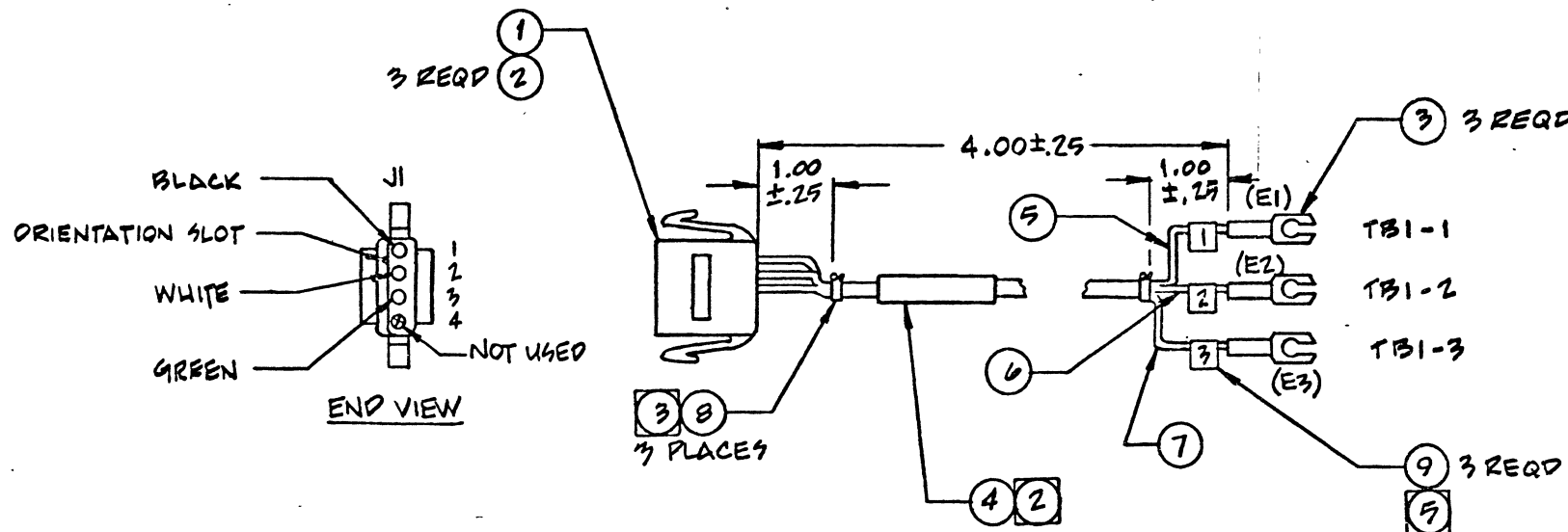
DWG NO. PL 701522-100

REV A

SHEET 1 of 1

The information hereon is the property of PLESSEY MICROSYSTEMS. Transmittal receipt or possession of the information does not comply, license, or imply any rights to use, sell, or manufacture from this information and no reproduction or publication of it, in whole or in part, shall be made without written authorization from PLESSEY MICROSYSTEMS.

REVISIONS				
ZONE	LTR	DESCRIPTION	DATE	APPROVED
	A	REL TO PROD PER EO 2331	5-11-78	SKDY JY



CONN	PIN	TAB	WIRE COLOR
J1	1	E1	BLACK
J1	2	E2	WHITE
J1	3	E3	GREEN

PRODUCTION RELEASE

- 5 AFFIX ITEM 9 AS SHOWN USING APPROPRIATELY NUMBERED MARKERS.
  - 4 WIRE PER WIRE LIST SHOWN.
  - 3 SPOT TIE WIRE BUNDLES USING ITEM 8 AS REQUIRED.
  - 2 MARK PART NUMBER AND LATEST REVISION LETTER WITH .12 HIGH CHARACTERS USING BLACK INK PER MIL-M-13231, GROUP III.
1. ASSEMBLE AND INSPECT PER WORKMANSHIP STANDARDS MANUAL.
- NOTES: UNLESS OTHERWISE SPECIFIED.

PART/ASSY NO. & QTY PER ASSY	NOTE	PART OR IDENTIFYING NO.	NOMENCLATURE OR DESCRIPTION / MATERIAL	SPEC/SOURCE	CODE IDENT NO.	FIND NO.
			FOR PARTS LIST SEE PL701549-100			1
						2
						3
						4
						5

PART/ASSY REV LTR		APPLICATION	
-100	.701395-101	MICRO 1	
-100	.701395-100	MICRO 1	
PART NO.	NEXT ASSY	USED ON	

DO NOT SCALE DRAWING		CONTRACT NO.	
SCREW THREADS PER HANDBOOK H-28			
COUNTERBORE AND SPOTFACE FILLET RADII TO BE .010 MAXIMUM			
REMOVE ALL BURRS AND BREAK SHARP EDGES EQUIVALENT TO .010R			
ROUGHNESS OF MACHINED SURFACES 125/ PER USAS B46.1			
STANDARD HOLE TOLERANCE PER AND 13367			
TOLERANCES ON: .XX = ±.03 .XXX = ±.010 ANGLES = ±0° 30'			
INTERPRET DIMENSIONS AND TOLERANCES PER USAS Y14.3			
DIMENSIONS ARE IN INCHES AND APPLY AFTER HEAT TREAT AND FINISH			
UNLESS OTHERWISE SPECIFIED			

Plessey Microsystems		DWG TITLE	
DRAWN/ONY NURKIN	10 DEC 1977	CABLE ASSEMBLY-AC POWER SUPPLY	
CHECK	2-8-78	SIZE	CODE IDENT NO.
ENGR	2-9-78	C	52648
PROJ. ENGR	2-9-78	DWG NO.	701549
PROD. DESIGN	2-9-78	SCALE: NONE	SHEET 1 OF 1
OTHER		DISTR NO. 123470	



