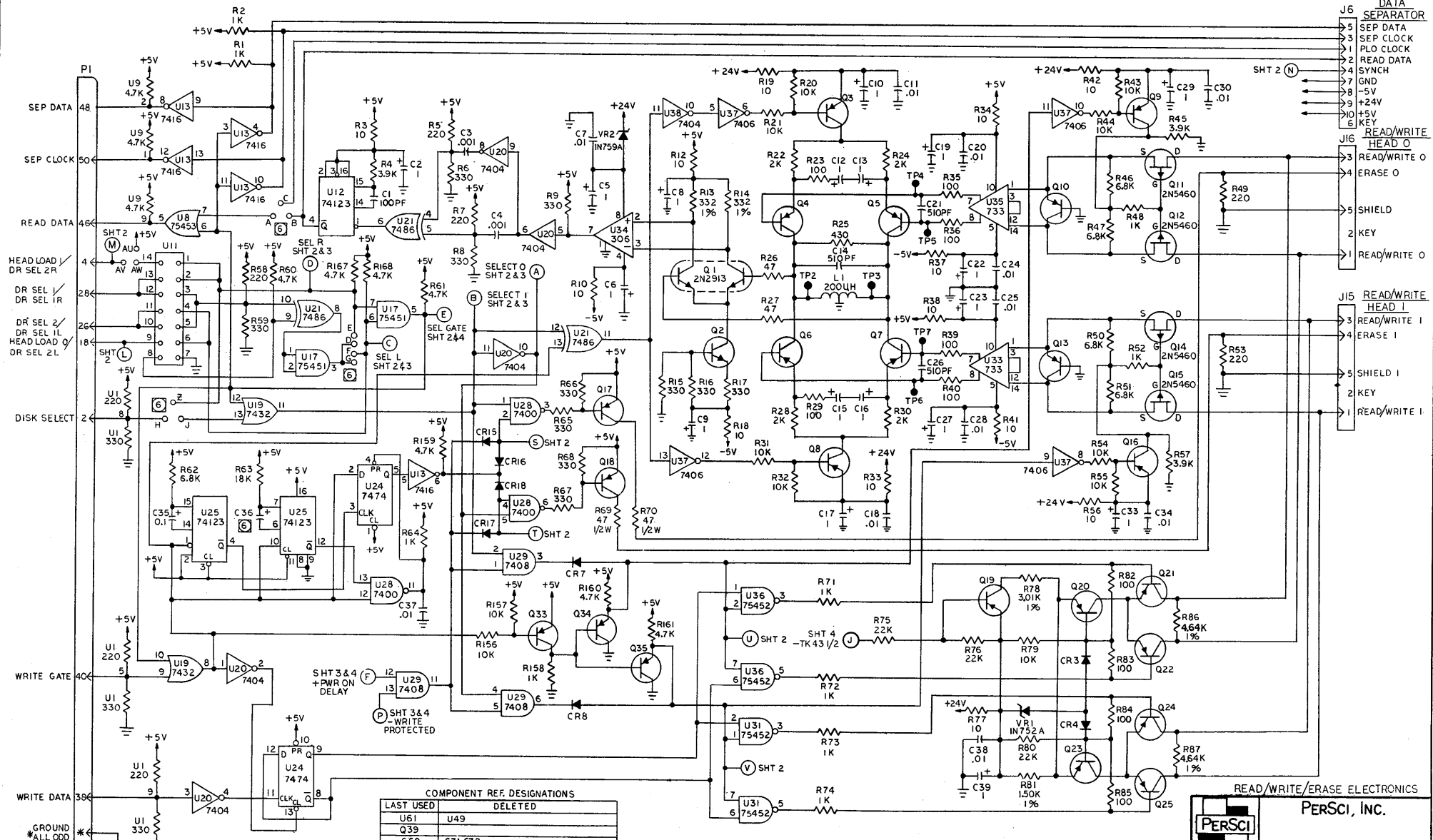




**Logic & Schematic Diagram**  
**Diskette Drive**  
**Models 270/272/277**



COMPONENT REF. DESIGNATIONS

LAST USED	DELETED
U61	U49
Q39	
C59	C31, C32
CR18	CR1, CR2
VR4	
R177	R11
TP7	
L1	

Ⓜ FOR VARIABLE COMP VALUES AND JUMPER LOCATIONS SEE TABULATED M/L.

5. ALL PNP TRANSISTORS TO BE 2N4402.
4. ALL NPN TRANSISTORS TO BE 2N4400.
3. ALL DIODES TO BE 1N3064.
2. ALL CAPACITORS IN MICROFARADS.
1. ALL RESISTORS IN OHMS, 1/4W, 5% UNLESS OTHERWISE SPECIFIED.

READ/WRITE/ERASE ELECTRONICS

**PERSCI, INC.**

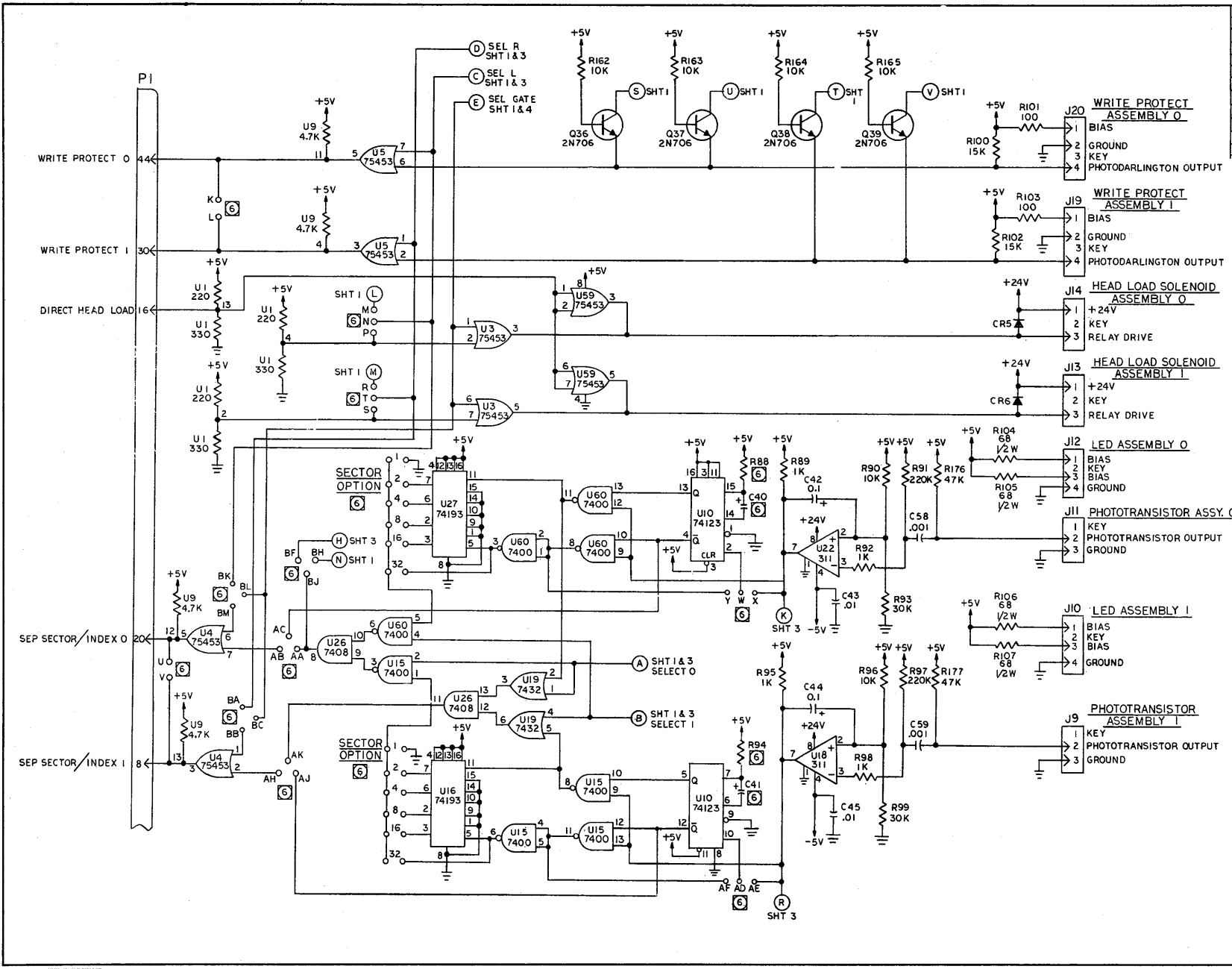
PERSCI

SCALE: \_\_\_\_\_ APPROVED BY: \_\_\_\_\_ DRAWN BY: \_\_\_\_\_  
 DATE: \_\_\_\_\_ REVISED: \_\_\_\_\_

SCHEMATIC, PCB, DATA & INTERFACE

MOD 270/272/277 SHT 1 OF 4 200264/K

200264 K



REVISION		200264	✓
REV	DESCRIPTION	CHK	DATE APPROVED
A	MFG REL	JLH	1/17/74
B	ECO #12	JLH	1/17/74
C	ECO #13	JLH	1/17/74
D	ECO #45	JLH	1/17/74
E	ECO #57	JLH	1/17/74
F	ECO #59	JLH	1/17/74
G	ECO #129	JLH	1/17/74
H	ECO #134	JLH	1/17/74
J	ECO #156	JLH	1/17/74
K	ECO #188	JLH	1/17/74

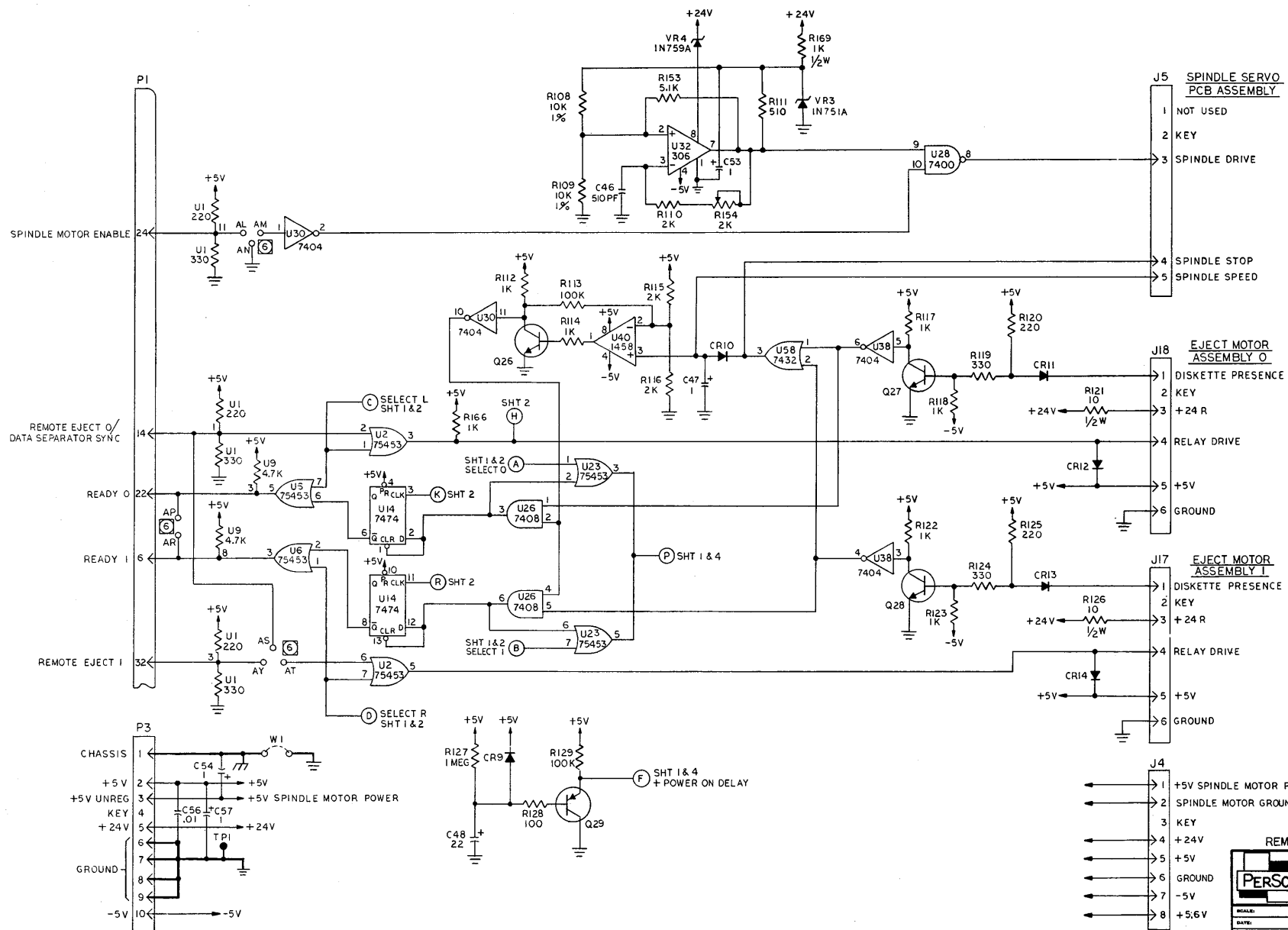
WRITE PROTECT, H.L.OAD, INDEX

**PERSCI** PERSCI, INC.

SCALE: \_\_\_\_\_ APPROVED BY: \_\_\_\_\_ DRAWN BY: \_\_\_\_\_  
 DATE: \_\_\_\_\_ REVISED: \_\_\_\_\_

**SCHEMATIC, PCB, DATA & INTERFACE**

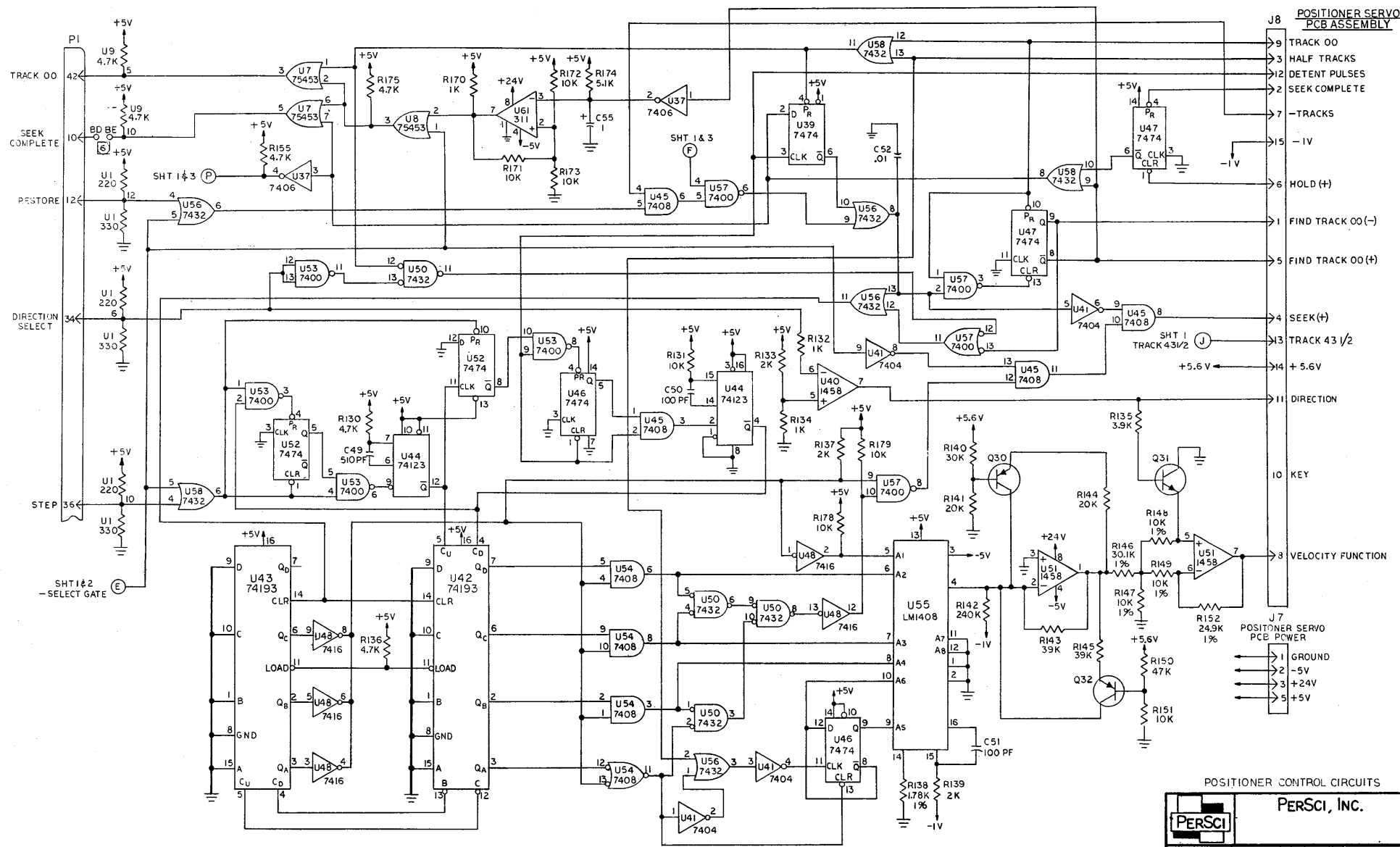
MOD 270/272/277 SHT 2 OF 4 200264 K



REMOTE EJECT, READY, SPINDLE

**PERSCI, INC.**

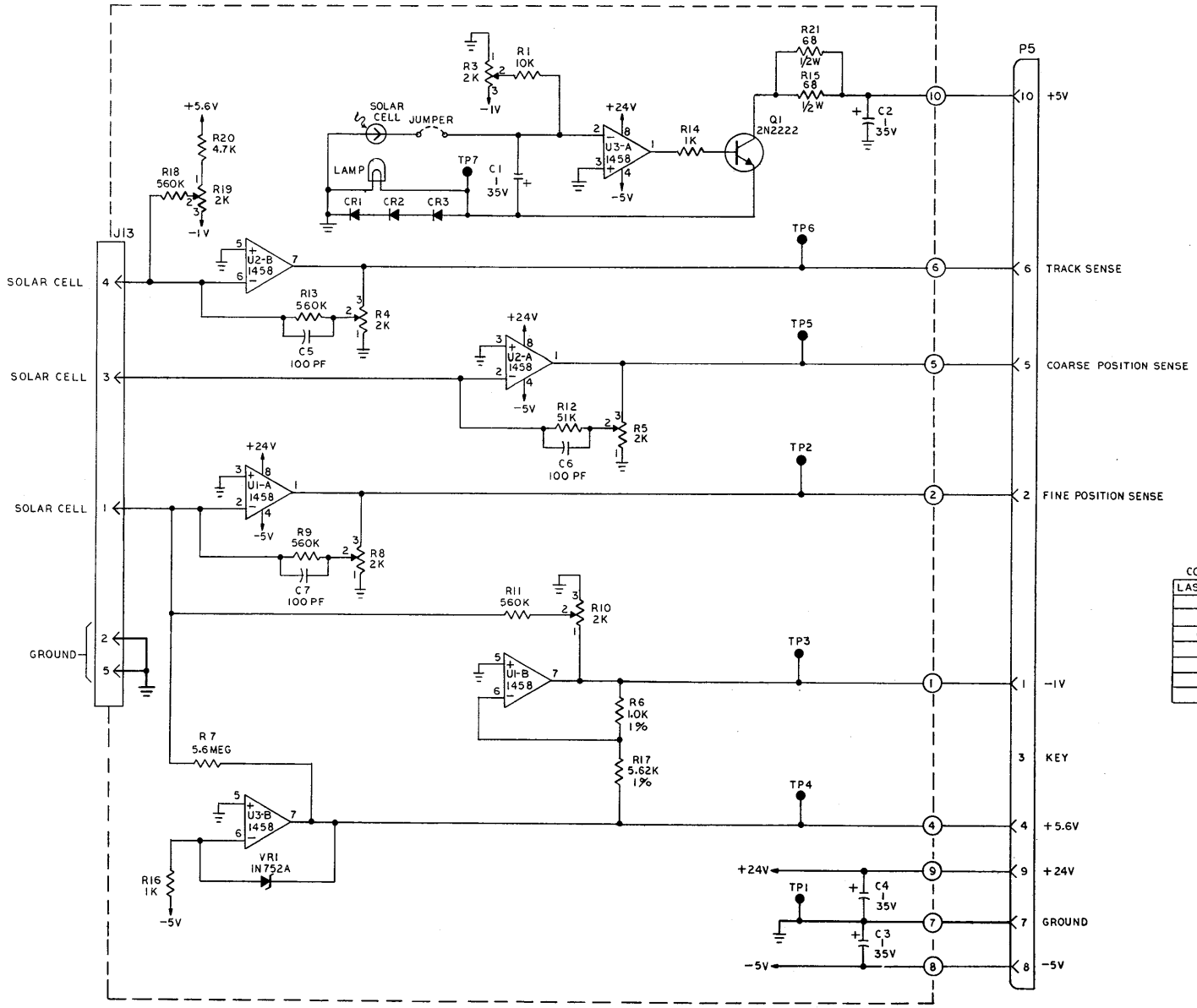
SCALE:	APPROVED BY:	DRAWN BY:
DATE:	REVIEWED:	
SCHEMATIC, PCB, DATA & INTERFACE		
MOD 270/272/277	SHT 3 OF 4	200264K



POSITIONER CONTROL CIRCUITS

<b>PERSCI</b>		<b>PERSCI, INC.</b>	
SCALE:	APPROVED BY:	DRAWN BY:	
DATE:	REVISION:	REVISION:	
SCHEMATIC, PCB, DATA & INTERFACE			
MOD 270/272/277	SHT 4 OF 4	200264K	

REVISIONS		200096 E
REV	DESCRIPTIONS	CHK/DATE/APP/R
A	ENGIN REL	1/2/96
B	ADD R18, R19 & 20	1/2/96
C	ECO 63 MFG REL	1/2/96
D	SEE ECO 77	1/2/96
E	ECO 179	1/4/96



COMP REF. DESIGNATIONS

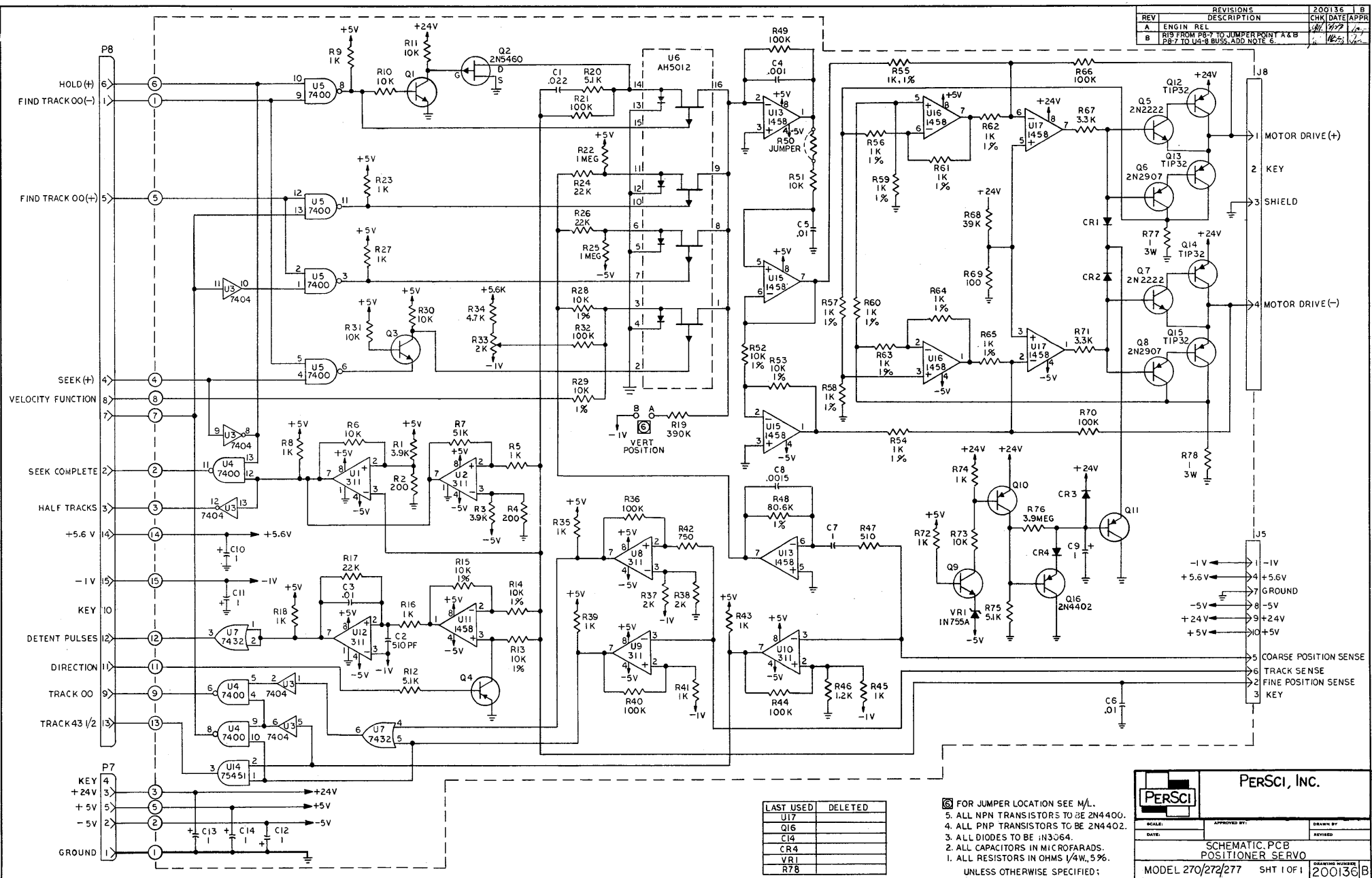
LAST USED	DELETED
U3	
Q1	
CR3	
C7	
R21	R2
TP7	
VR1	

- 3 ALL DIODES TO BE IN4003.
  - 2 ALL CAPACITOR VALUES IN MICROFARADS.
  - 1 ALL RESISTOR VALUES IN OHMS, 1/4W, 5%.
- UNLESS OTHERWISE SPECIFIED;

<b>PERSCI, INC.</b>	
SCALE:	APPROVED BY:
DATE:	DRAWN BY:
	REVISED:
SCHEMATIC, PCB, LAMP AMPLIFIER	
MOD 270/272/277	SHT 1 OF 1
	200096 E

200096 E

REV	REVISIONS DESCRIPTION	CHK	DATE	APP
200136	B			
A	ENGIN REL		1/77	
B	519 FROM P8-7 TO JUMPER POINT A & B P8-7 TO U4-8 BUSS. ADD NOTE 6.		1/77	



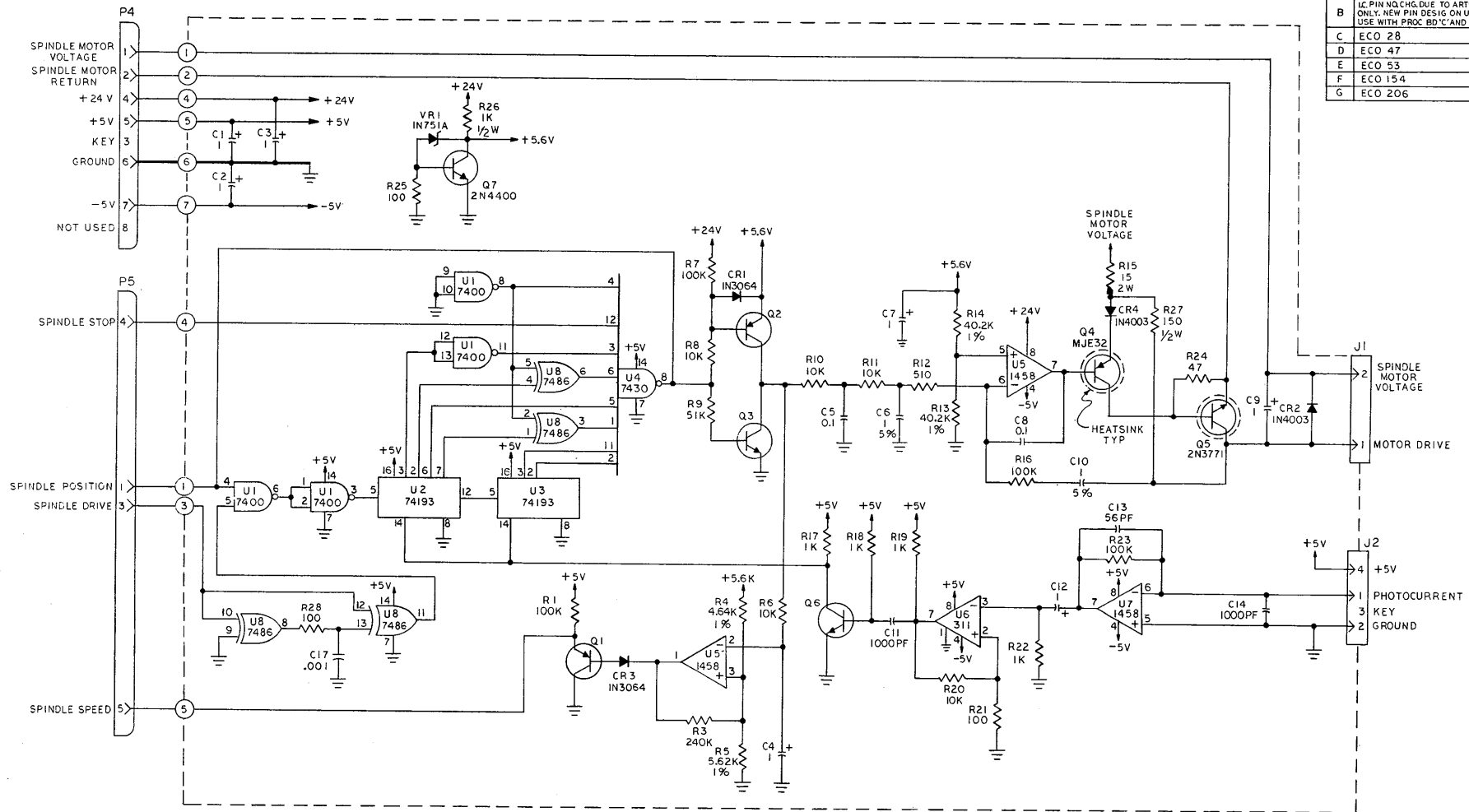
LAST USED	DELETED
U17	
Q16	
C14	
CR4	
VR1	
R78	

6. FOR JUMPER LOCATION SEE M/L.  
 5. ALL NPN TRANSISTORS TO BE 2N4400.  
 4. ALL PNP TRANSISTORS TO BE 2N4402.  
 3. ALL DIODES TO BE 1N3064.  
 2. ALL CAPACITORS IN MICROFARADS.  
 1. ALL RESISTORS IN OHMS 1/4W, 5%.  
 UNLESS OTHERWISE SPECIFIED:

**PERSCI, INC.**

<b>PERSCI</b>		APPROVED BY:	
SCALE:	DATE:	DATE:	REVISED:
SCHEMATIC PCB POSITIONER SERVO			
MODEL 270/272/277	SHT 1 OF 1	DRAWING NUMBER:	200136B

REVISIONS		200133	G
REV	DESCRIPTION	CHK	DATE
A	ENGIN REL		1/15/77
B	IC PIN NO CHG DUE TO ARTWORK REDESIGN ONLY. NEW PIN DESIG ON U1,U4,U5,U7 USE WITH PROC BD 'C' AND UP		1/15/77
C	ECO 28		1/15/77
D	ECO 47		1/15/77
E	ECO 53		1/15/77
F	ECO 154		1/15/77
G	ECO 206		1/15/77



REF DESIGNATIONS

LAST USED	DELETED
U8	
Q7	
CR4	
C17	C15, C16
R28	R2
VR1	

4 ALL PNP TRANSISTORS TO BE 2N4402.  
 3 ALL NPN TRANSISTORS TO BE 2N4400.  
 2 ALL CAPACITOR VALUES IN MICROFARADS.  
 1. ALL RESISTOR VALUES IN OHMS, 1/4W, 5%.  
 UNLESS OTHERWISE SPECIFIED;

PERSCI, INC.

PERSCI

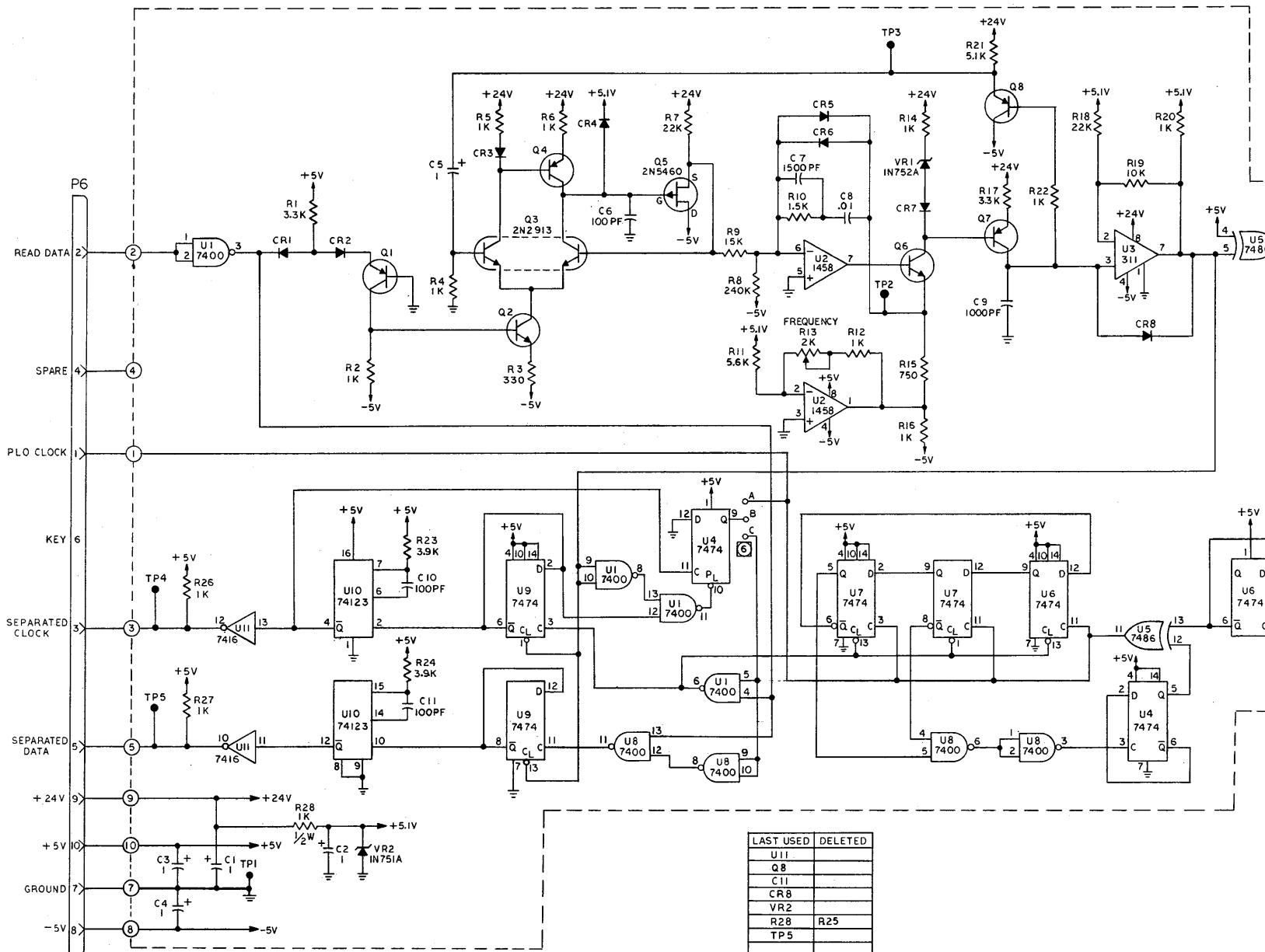
DATE: \_\_\_\_\_ APPROVED BY: \_\_\_\_\_ DRAWN BY: \_\_\_\_\_  
 DATE: \_\_\_\_\_ REVISED: \_\_\_\_\_

SCHEMATIC, PCB, SPINDLE SERVO

MOD 270/272/277 SHT 1 OF 1 200133/G



REVISIONS		200115	C
REV	DESCRIPTIONS	CHK	DATE
A	ENGIN REL	J.P.	1/2/72
B	ADD INTERNAL REGULATOR +5.1V	J.P.	1/2/72
C	MPG REL AND DRAWING NUMBERS 1, 8 & C	J.P.	1/2/72



- ⑥ FOR JUMPER LOCATIONS SEE TABULATED M/L.
5. ALL PNP TRANSISTORS TO BE 2N4402.
  4. ALL NPN TRANSISTORS TO BE 2N4400.
  3. ALL DIODES TO BE IN 3064.
  2. ALL CAPACITORS IN MICROFARADS.
  1. ALL RESISTORS IN OHMS 1/4 W., 5% UNLESS OTHERWISE SPECIFIED.

LAST USED	DELETED
U11	
Q8	
C11	
CR8	
VR2	
R28	R25
TP5	

**PERSCI, INC.**

**PERSCI**

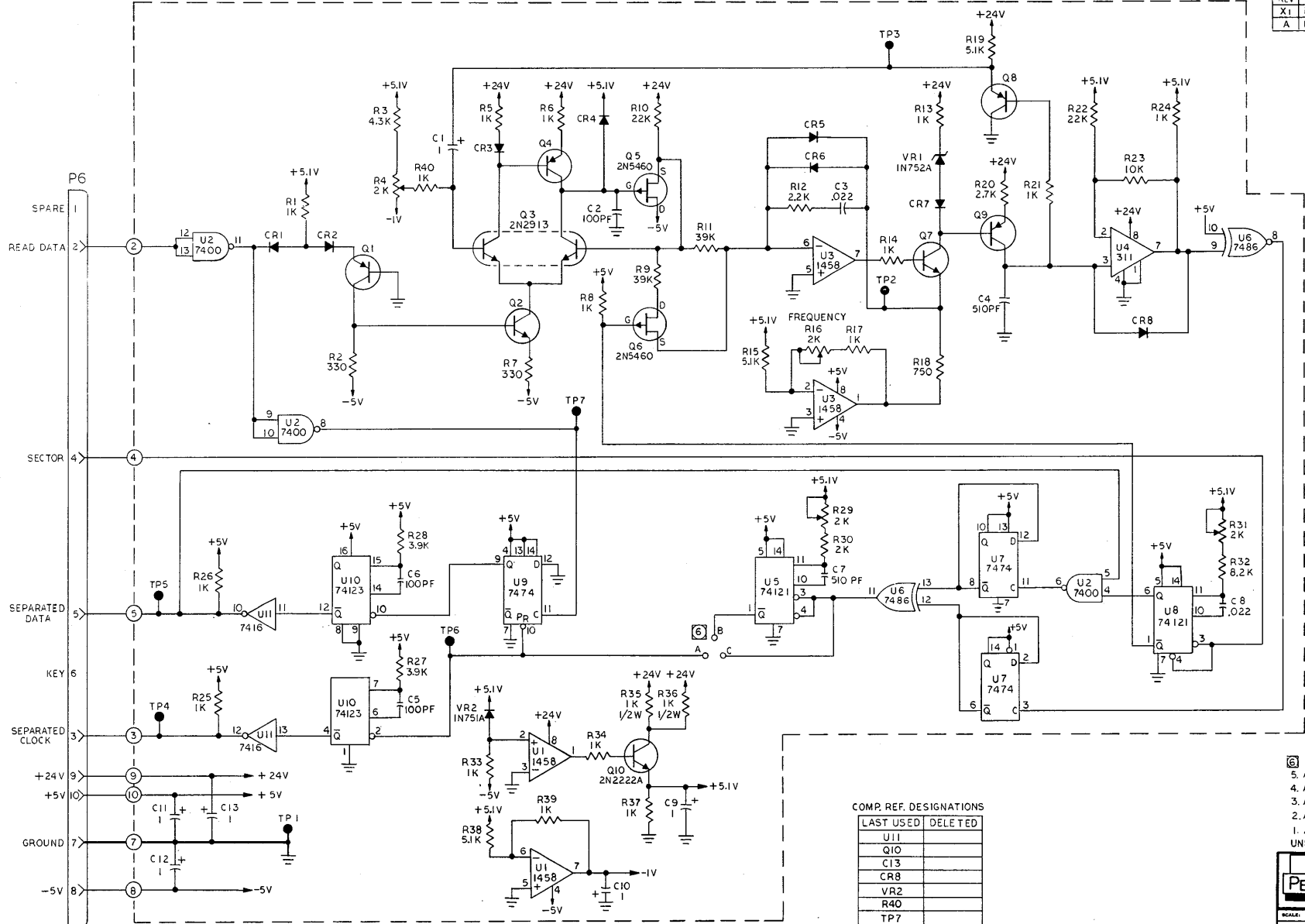
SCALE: \_\_\_\_\_ APPROVED BY: \_\_\_\_\_ DRAWN BY: \_\_\_\_\_

DATE: \_\_\_\_\_ REVISED: \_\_\_\_\_

**SCHMATIC** PHASE LOCKED DOUBLE F DATA SEPARATOR

MOD 270/272/277 SHT 1 OF 1 200115 C

REVISONS		200231A
REV	DESCRIPTIONS	CHK DATE APPR
X1	EXP REL	7 2
A	ENGIN REL	7 1

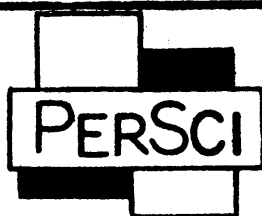
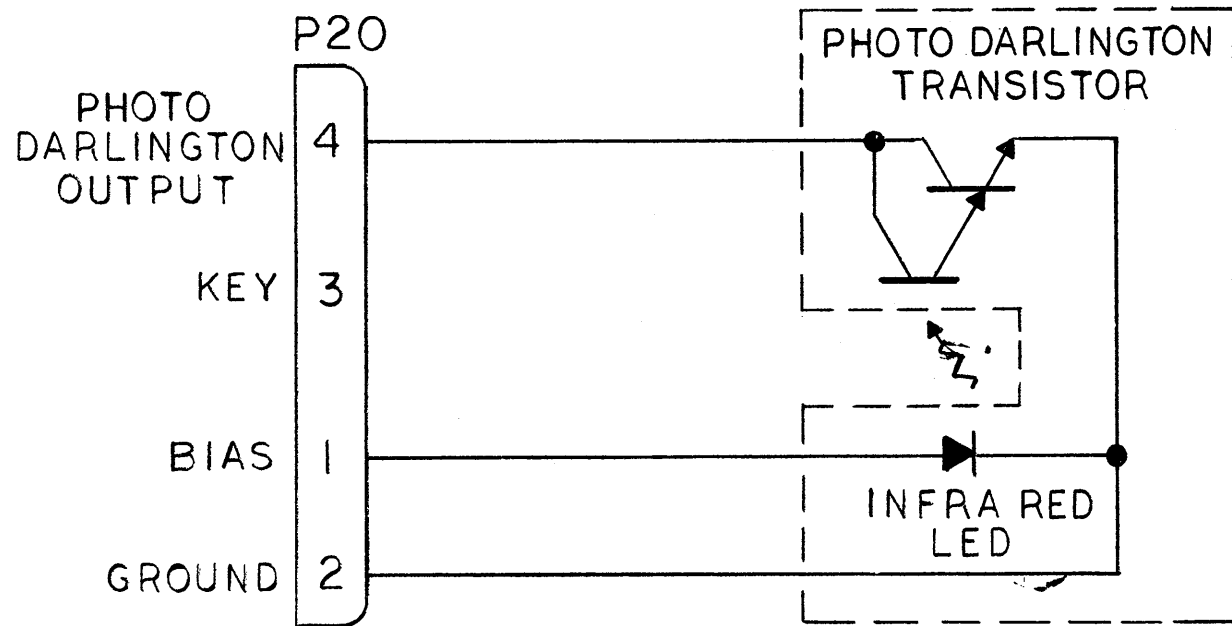


COMP. REF. DESIGNATIONS

LAST USED	DELETED
U11	
Q10	
C13	
CR8	
R40	
TP7	

- 6. FOR JUMPER LOCATIONS SEE TABULATED M/L.
- 5. ALL PNP TRANSISTORS TO BE 2N4402.
- 4. ALL NPN TRANSISTORS TO BE 2N4400.
- 3. ALL DIODES TO BE IN3064.
- 2. ALL CAPACITORS IN MICROFARADS.
- 1. ALL RESISTORS IN OHMS 1/4W 5% UNLESS OTHERWISE SPECIFIED:

<b>PERSCI, INC.</b>	
SCALE:	APPROVED BY:
DATE:	DRAWN BY:
SCHEMATIC. DOUBLE DENSITY DATA SEPARATOR	
MOD 270/272/277	SHT 1 OF 1
DESIGN NUMBER <b>200259A</b>	



PERSCI, INC.

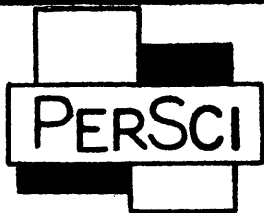
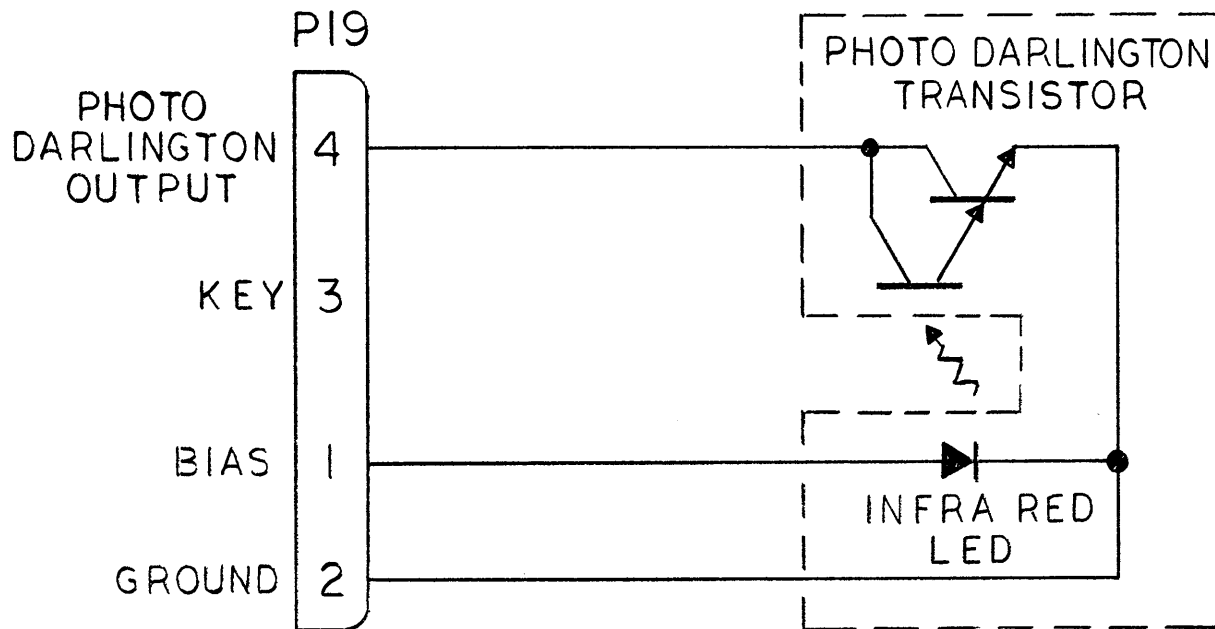
SCHEMATIC  
WRITE PROTECT MODULE  
SIDE 0

270/272/277

SHT 1 OF 1

200231

A



PERSCI, INC.

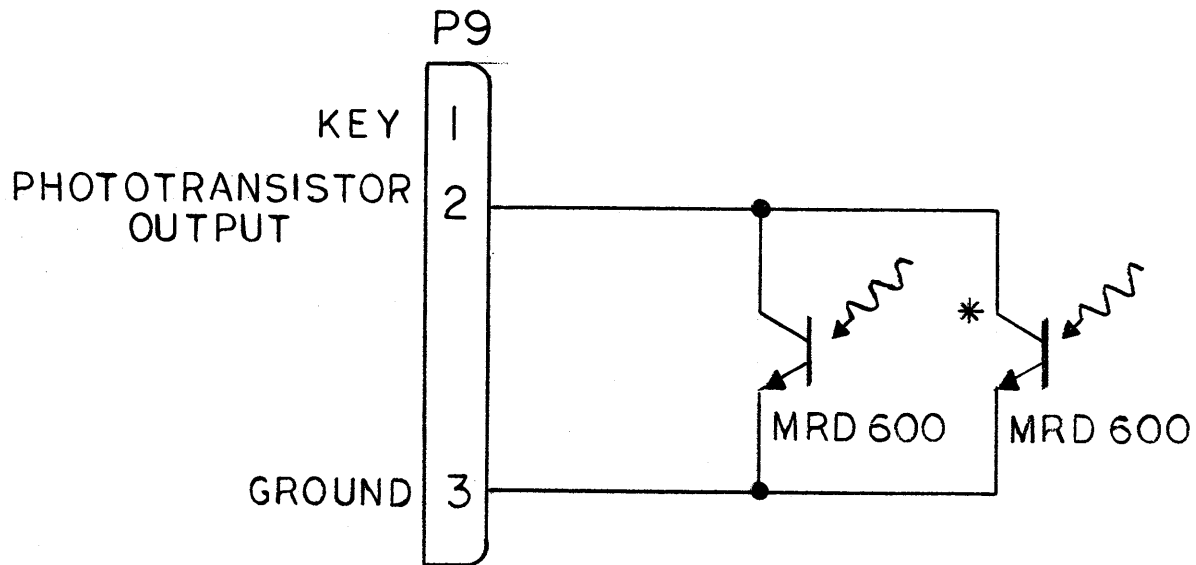
SCHEMATIC  
WRITE PROTECT MODULE  
SIDE 1

270/272/277

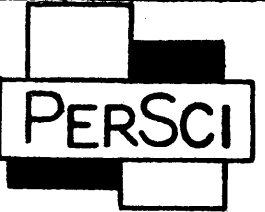
SHT 1 OF 1

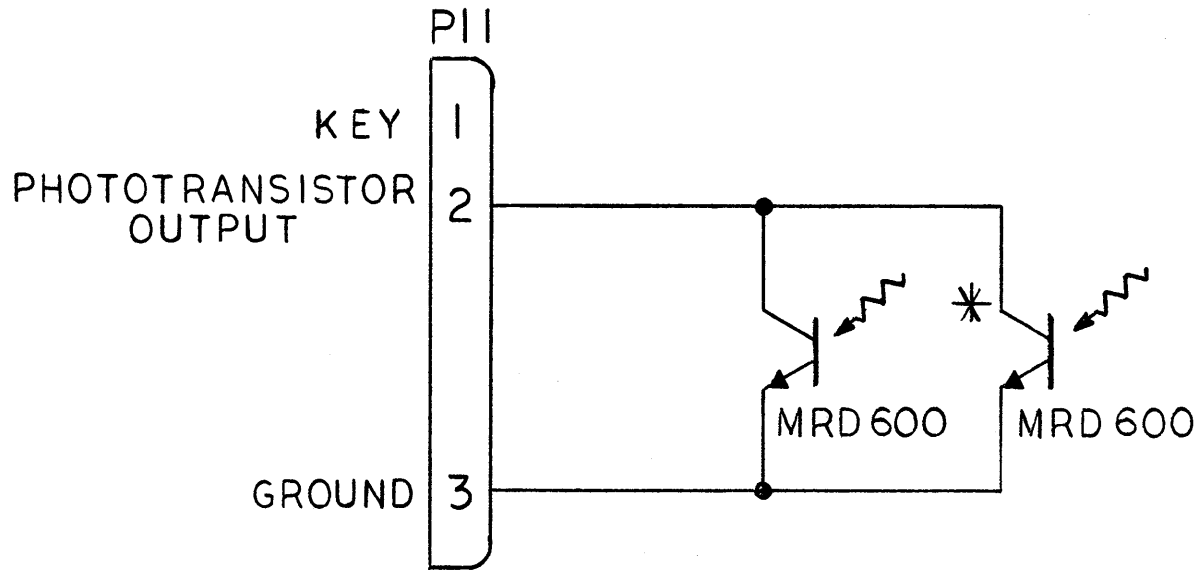
200232

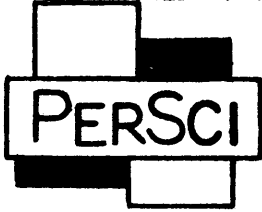
A



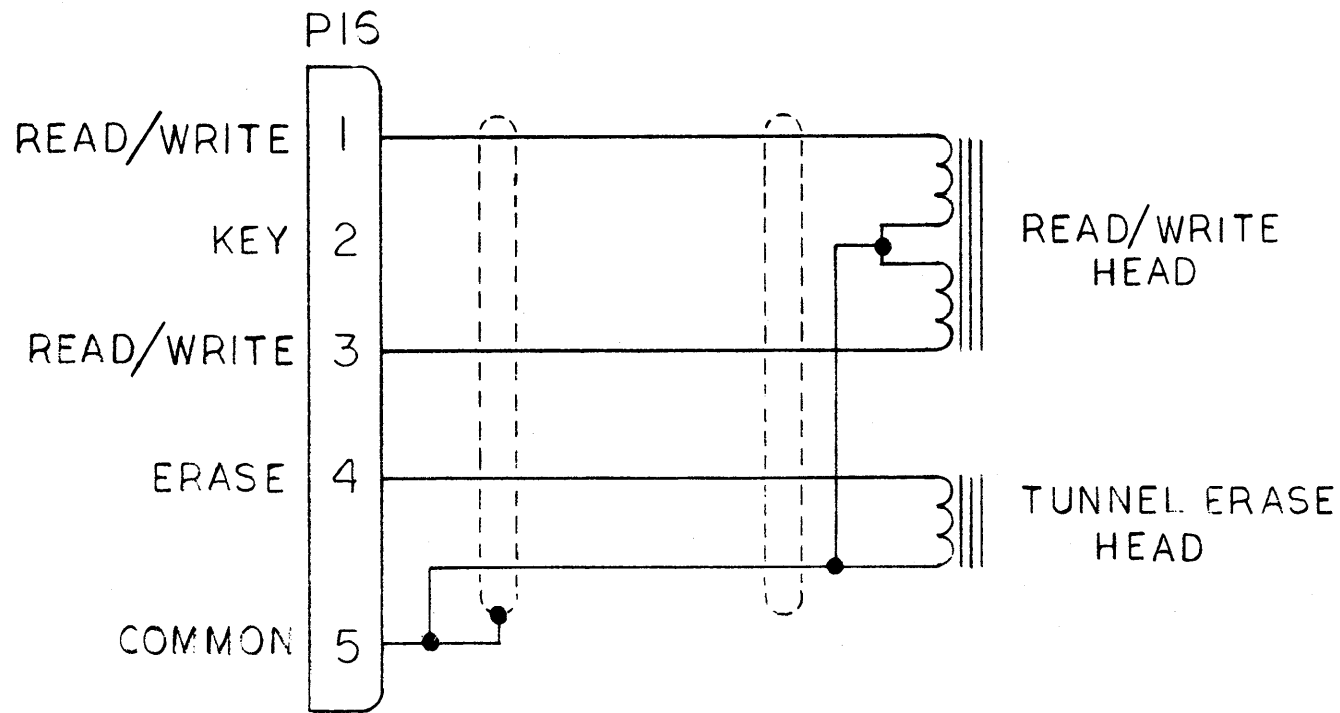
NOTE  
 SECOND PHOTOTRANSISTOR  
 OPTIONAL FOR DUAL INDEX  
 OPTION.

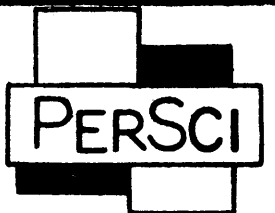
	<p>PERSCI, INC.</p>		
<p style="text-align: center;">SCHEMATIC        PHOTOTRANSISTOR ASSEMBLY        SIDE 1</p>			
<p>270/272/277</p>	<p>SHT 1 OF 1</p>	<p>200233</p>	<p>B</p>

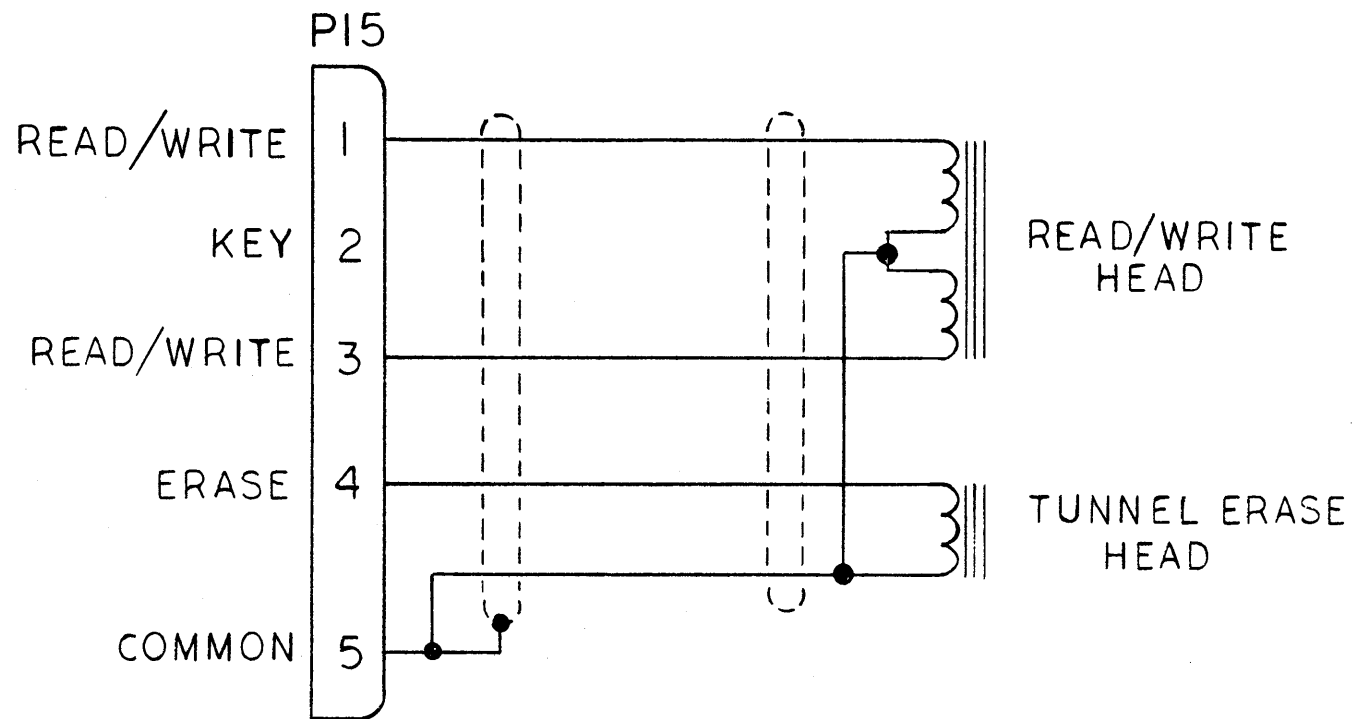


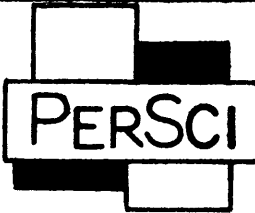
	<p>PERSCI, INC.</p>		
<p style="text-align: center;">SCHEMATIC PHOTOTRANSISTOR ASSEMBLY SIDE Ø</p>			
<p>270/272/277</p>	<p>SHT 1 OF 1</p>	<p>200234</p>	<p>B</p>

\* NOTE  
SECOND PHOTOTRANSISTOR  
OPTIONAL FOR DUAL INDEX  
OPTION.

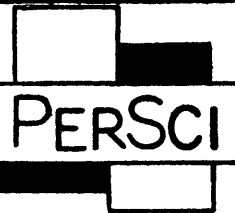
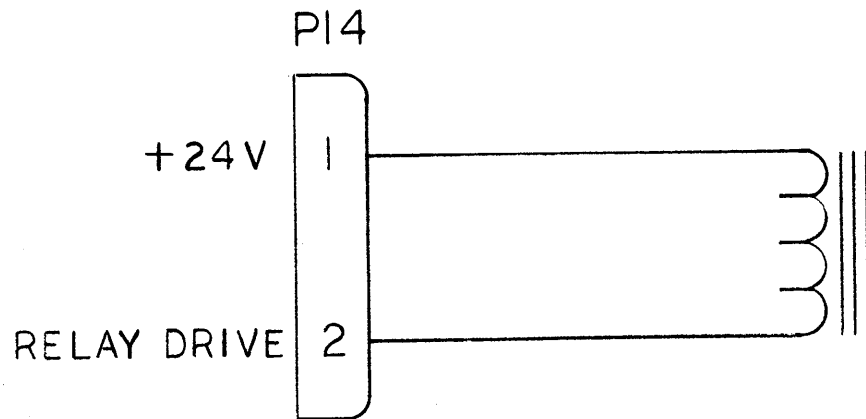


	<p>PERSCI, INC.</p>		
<p>SCHMATIC READ/WRITE HEAD ASSEMBLY SIDE 0</p>			
<p>270/272/277</p>	<p>SHT 1 OF 1</p>	<p>200235</p>	<p>A</p>



	<p>PERSCI, INC.</p>		
<p>SCHMATIC READ/WRITE HEAD ASSEMBLY SIDE 1</p>			
<p>270/272/277</p>	<p>SHT 1 OF 1</p>	<p>200236</p>	<p>A</p>





PERSCI, INC.

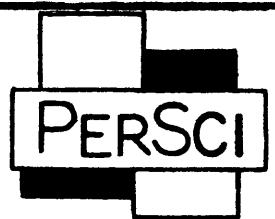
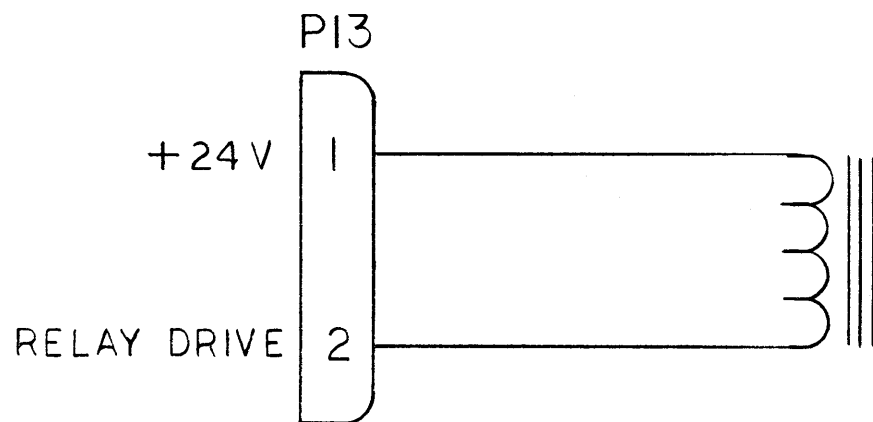
SCHEMATIC  
HEAD LOAD ASSEMBLY  
SIDE 0

270/272/277

SHT 1 OF 1

200237

A



PERSCI, INC.

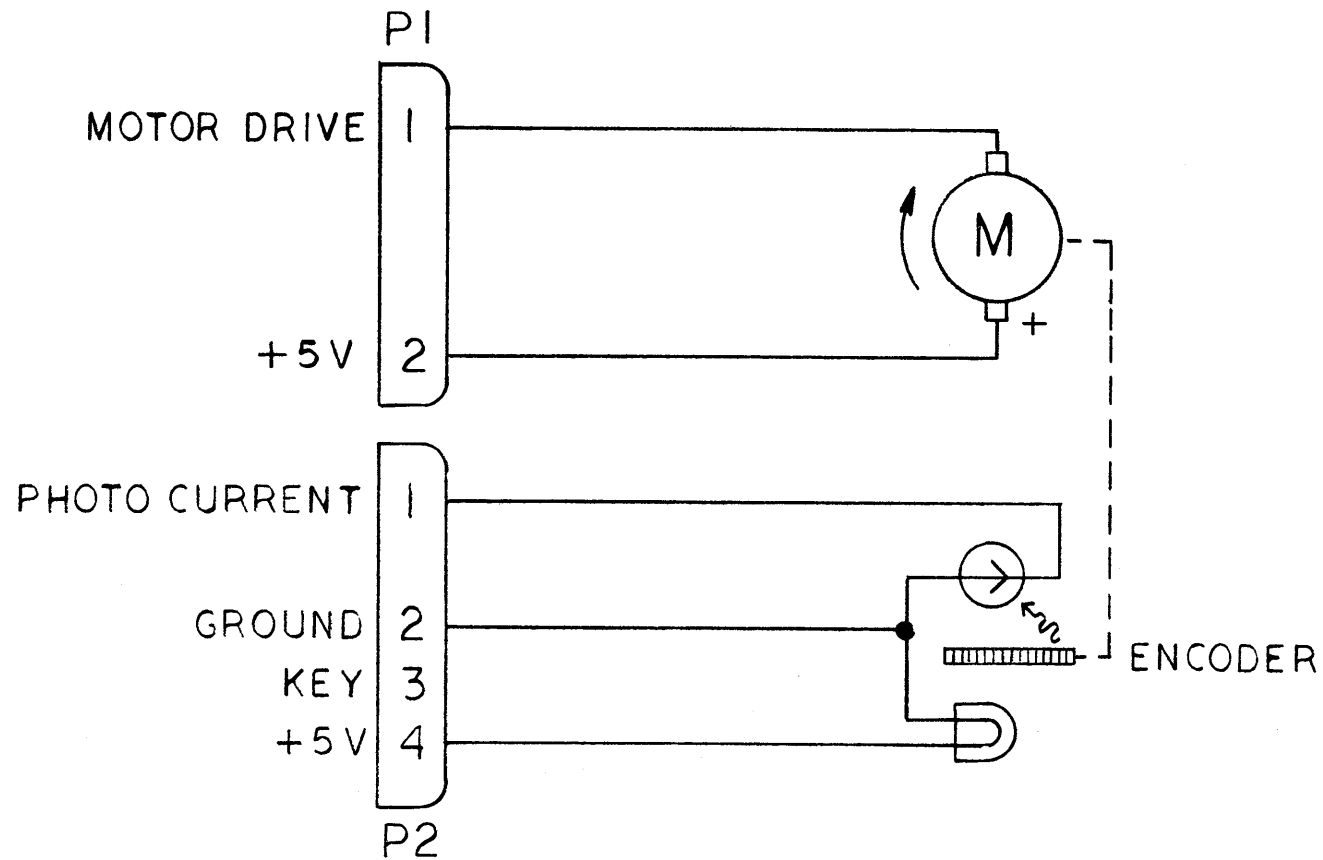
SCHEMATIC  
HEAD LOAD ASSEMBLY  
SIDE 1

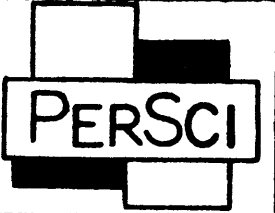
270/272/277

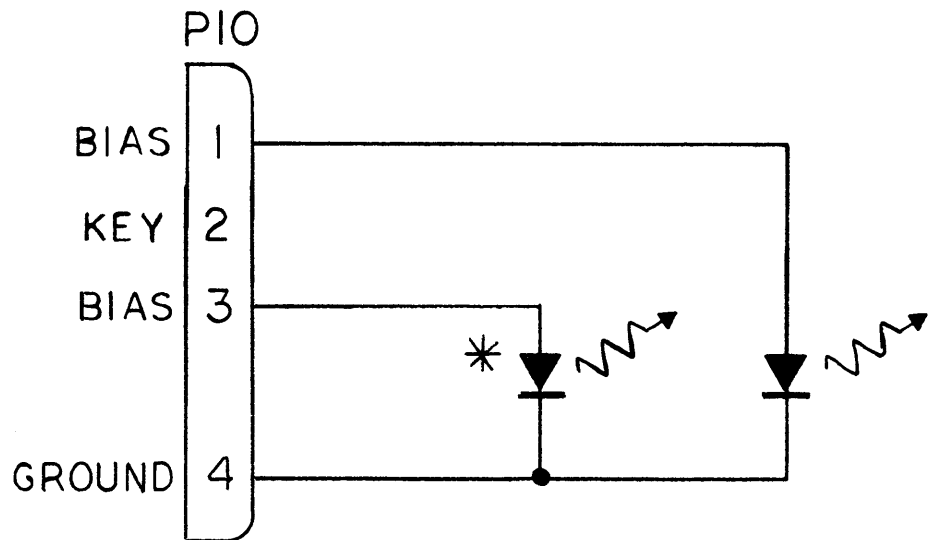
SHT 1 OF 1

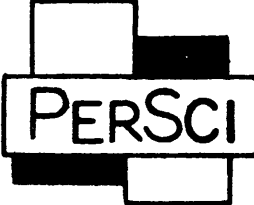
200238

A

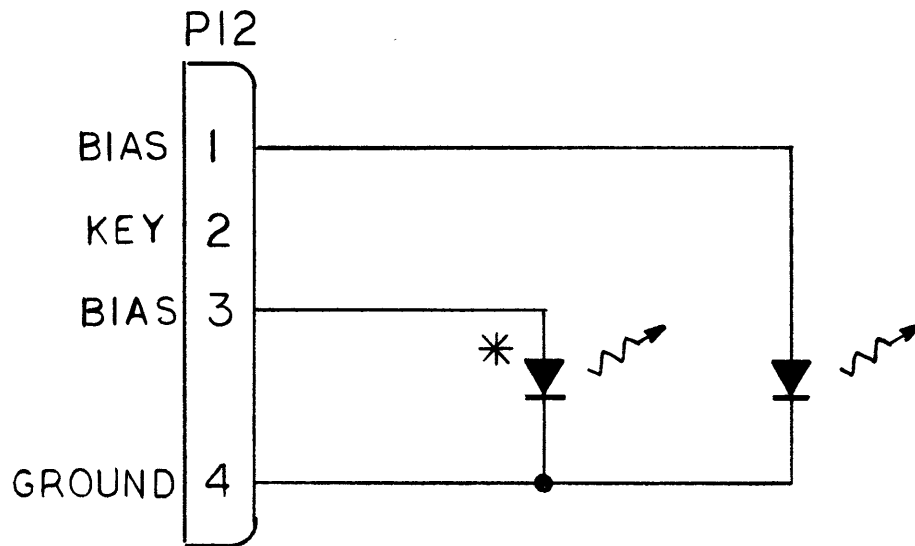


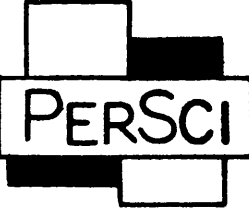
	<p>PERSCI, INC.</p>		
<p>SCHEMATIC SPINDLE MOTOR ASSEMBLY</p>			
<p>270/272/277</p>	<p>SHT 1 OF 1</p>	<p>200239</p>	<p>A</p>



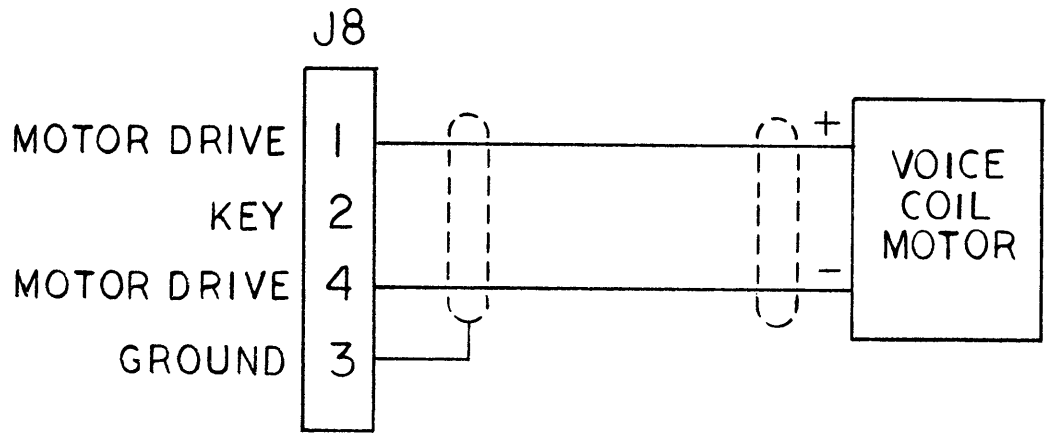
	<p>PERSCI, INC.</p>		
<p>SCHMATIC LED ASSEMBLY SIDE 1</p>			
<p>270/272/277</p>	<p>SHT10F1</p>	<p>200240</p>	<p>B</p>

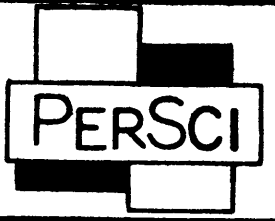
\*NOTE;  
SECOND LED OPTIONAL FOR  
DUAL INDEX OPTION DRIVE.



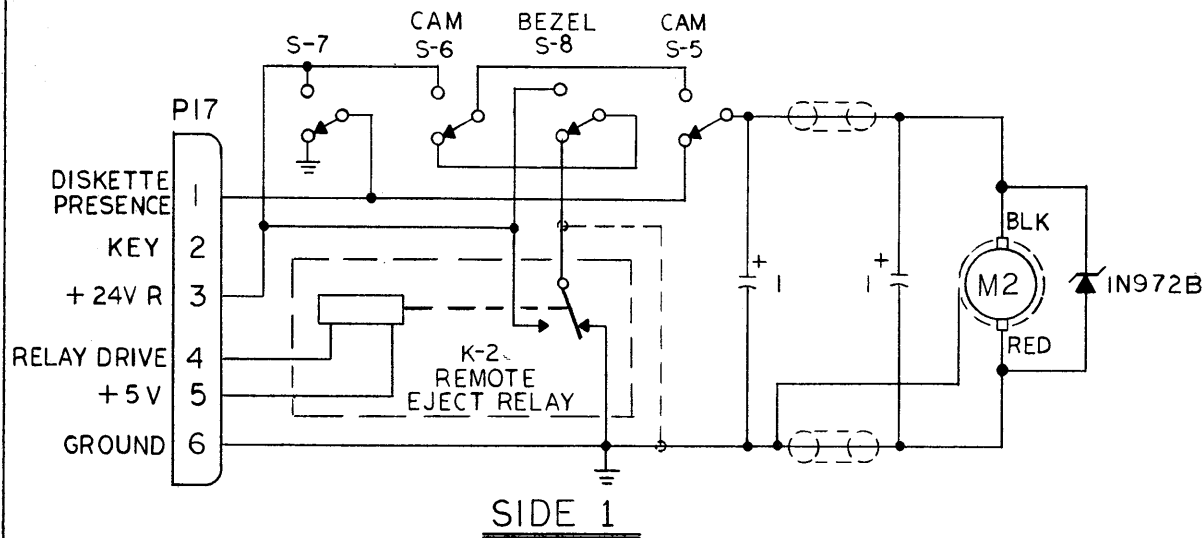
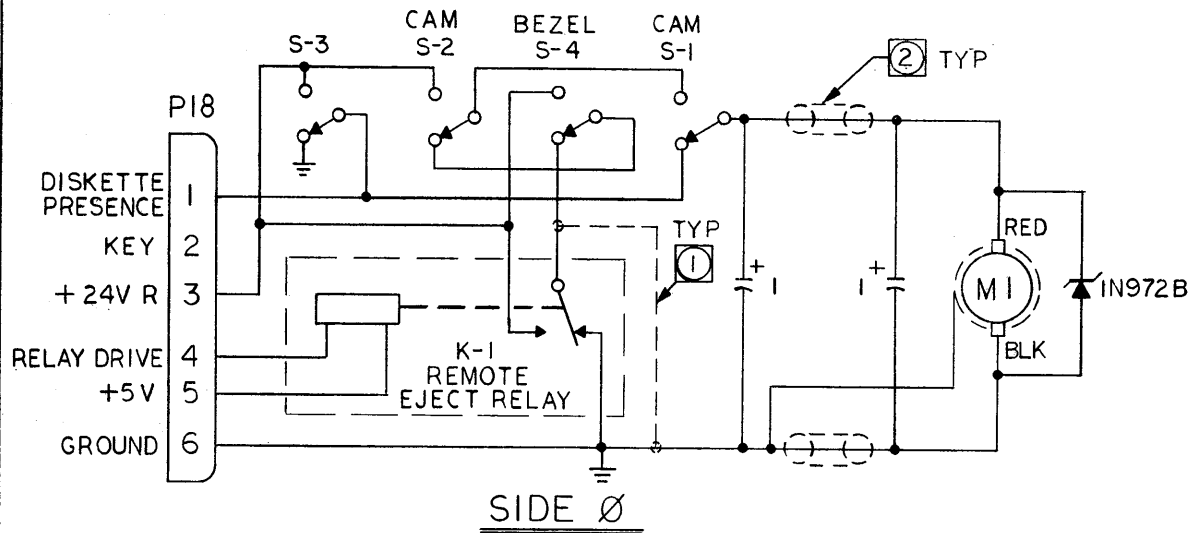
	<p>PERSCI, INC.</p>		
<p>SCHEMATIC LED ASSEMBLY SIDE 0</p>			
<p>270/272/277</p>	<p>SHT 1 OF 1</p>	<p>200241</p>	<p>B</p>

\*NOTE  
SECOND LED OPTIONAL FOR  
DUAL INDEX OPTION DRIVE.



	<p>PERSCI, INC.</p>		
<p>SCHMATIC POSITIONER MOTOR</p>			
<p>270/272/277</p>	<p>SHT 1 OF 1</p>	<p>200242</p>	<p>A</p>

REVISIONS				200243	B
REV.	DESCRIPTION	CHK.	DATE	APPROVED	
A	MFG RELEASE				
B	ECO 109				



- ③ ALL SWITCHES SHOWN NORMALLY CLOSED.
- ② FERRITE BEAD PERSCI 100031.
- ① OPTIONAL WIRING WITHOUT RELAY.

NOTES;

	<b>PERSCI, INC.</b>
SCHEMATIC EJECT MOTOR ASSEMBLY	
270/272/277	SHT 1 OF 1
200243	B

REV  
B

## MATERIAL LIST

TITLE  
ASSEMBLY, PCB DATA AND INTERFACEDWG NO.  
200263-001

REV

B

SHEET 1 OF 1

MODEL 270/272 SINGLE DENSITY

PERSCI, INC.

DWG NO.  
200263-001

ITEM NO.	DRAWING TITLE	DWG NO.	QTY	REMARKS
	USE BASIC BD 200263-000			
	LATEST REVISION AND			
	ADD THE FOLLOWING:			
1				
2				
3	CAPACITOR, TANTL., 10% 0.1UF	150100-104	1	C36
4	CAPACITOR, TANTL., 10% 0.1UF	150100-104	2	C40,41
5				
6	RESISTOR ¼ W., 5% 36K	150000-363	2	R88,94
7				
8	WIRE, INSULATED AWG 24		A/R	JUMPER FROM A TO B
				JUMPER FROM D TO E
				JUMPER FROM F TO G
				JUMPER FROM H TO J
				JUMPER FROM M TO P
				JUMPER FROM R TO S
				JUMPER FROM W TO X
				JUMPER FROM AB TO AC
				JUMPER FROM AD TO AE
				JUMPER FROM AH TO AJ
				JUMPER FROM AL TO AM
				JUMPER FROM AY TO AT
				JUMPER FROM AV TO AW
				JUMPER FROM BA TO BB
				JUMPER FROM BD TO BE
				JUMPER FROM BK TO BM
				CHASSIS GND W1
	NOTE: JUMPER POINTS NOT LISTED			
	ARE OPEN (NOT USED)			



REV C  
 DWG NO. 200263-00Z

MATERIAL LIST

TITLE ASSEMBLY, PCB DATA AND INTERFACE	DWG NO. 200263-002	REV C	SHEET <u>1</u> OF <u>1</u>
---	-----------------------	----------	----------------------------

MODEL 270 DOUBLE DENSITY	<b>PERSCI, INC.</b>
--------------------------	---------------------

ITEM NO.	DRAWING TITLE	DWG NO.	QTY	REMARKS
	USE BASIC BD 200263-000			
	LATEST REVISION AND			
	ADD THE FOLLOWING:			
1	IC 74193	150614	2	U16,27
2				
3	CAPACITOR, TANTL., 10% 0.1UF	150100-104	1	C36
4	CAPACITOR, TANTL., 10% 1UF	150100-105	2	C40,41
5				
6	RESISTOR, 1/4 W., 5% 11K	150000-113	2	R88,94
7				
8	WIRE, INSULATED AWG 24		A/R	JUMPER FROM A TO B
				JUMPER FROM D TO E
				JUMPER FROM F TO G
				JUMPER FROM H TO J
				JUMPER FROM M TO P
				JUMPER FROM R TO S
				JUMPER FROM W TO Y
				JUMPER FROM AA TO AB
				JUMPER FROM AD TO AF
				JUMPER FROM AH TO AK
				JUMPER FROM AL TO AM
				JUMPER FROM AT TO AY
				JUMPER FROM AV TO AW
				JUMPER FROM BA TO BB
				JUMPER FROM BD TO BE
				JUMPER FROM BH TO BJ
				JUMPER FROM BK TO BM
				SECTOR "0" JUMPER 16
	NOTE: JUMPER POINTS NOT LISTED			SECTOR "1" JUMPER 16
	ARE OPEN (NOT USED)			CHASSIS GND W1

**MATERIAL LIST**

REV E  
DWG NO. 200263-003

**TITLE**  
ASSEMBLY, PCB DATA AND INTERFACE

**DWG NO.**  
200263-003

**REV**  
E

**SHEET 1 OF 1**

MODEL 277 ROTARY SELECT

**PERSCI, INC.**

ITEM NO.	DRAWING TITLE	DWG NO.	QTY	REMARKS
	USE BASIC BD 200263-000			
	LATEST REVISION AND			
	ADD THE FOLLOWING:			
1				
2				
3				
4	CAPACITOR, TANTL., 10% 0.1UF	150100-104	3	C40,41,36
5				
6	RESISTOR, 1/4 W., 5% 36K	150000-363	2	R38,94
7	MODULE, SELECT	200288-005	1	U11
8	WIRE, INSULATED, AWG 24		A/R	JUMPER FROM A TO B
				JUMPER FROM J TO Z
				JUMPER FROM K TO L
				JUMPER FROM N TO P
				JUMPER FROM S TO T
				JUMPER FROM U TO V
				JUMPER FROM W TO X
				JUMPER FROM AB TO AC
				JUMPER FROM AD TO AE
				JUMPER FROM AH TO AJ
				JUMPER FROM AM TO AN
				JUMPER FROM AP TO AR
				JUMPER FROM AS TO AT
				JUMPER FROM AV TO AW
				JUMPER FROM BA TO BB
				JUMPER FROM BD TO BE
				JUMPER FROM BK TO BM
				CHASSIS GND W1
	NOTE: JUMPER POINTS NOT LISTED			
	ARE OPEN (NOT USED)			

**MATERIAL LIST**

**REV**  
C  
**DWG NO.**  
200263-005

<b>TITLE</b> ASSEMBLY, PCB DATA AND INTERFACE	<b>DWG NO.</b> 200263-005	<b>REV</b> C	<b>SHEET 1 OF 1</b>
--	------------------------------	-----------------	---------------------

MODEL 270, 16 SECTORS	<b>PERSCI, INC.</b>
-----------------------	---------------------

ITEM NO.	DRAWING TITLE	DWG NO.	QTY	REMARKS
	USE BASIC BD 200263-000			
	LATEST REVISION AND			
	ADD THE FOLLOWING:			
1	IC 74193	150614	2	U16,27
2				
3	CAPACITOR, TANTL., 10% 0.1UF	150100-104	1	C36
4	CAPACITOR, TANTL., 10% 1UF	150100-105	2	C40,41
5				
6	RESISTOR, 1/4W., 5% 11K	150000-113	2	R38,94
7				
8	WIRE, INSULATED, AWG 24		A/R	JUMPER FROM A TO B
				JUMPER FROM D TO E
				JUMPER FROM F TO G
				JUMPER FROM H TO J
				JUMPER FROM M TO P
				JUMPER FROM R TO S
				JUMPER FROM W TO Y
				JUMPER FROM AA TO AB
				JUMPER FROM AD TO AF
				JUMPER FROM AH TO AK
				JUMPER FROM AL TO AM
				JUMPER FROM AT TO AY
				JUMPER FROM AV TO AW
				JUMPER FROM BA TO BB
				JUMPER FROM BD TO BE
				JUMPER FROM BH TO BF
				JUMPER FROM BK TO BM
				SECTOR "0" JUMPER 16
				SECTOR "1" JUMPER 16
	NOTE: JUMPER POINTS NOT LISTED			CHASSIS GND W1
	ARE OPEN (NOT USED)			

REV

DWG NO.  
200263-007

## MATERIAL LIST

TITLE  
ASSEMBLY, PCB DATA AND INTERFACEDWG NO.  
200263-007

REV

SHEET 1 OF 1

MODEL 270 HARD SECTOR 32 SECTORS

PERSCI, INC.

ITEM NO.	DRAWING TITLE	DWG NO.	QTY	REMARKS
	USE BASIC BD 200263-000			
	LATEST REVISION AND ADD			
	THE FOLLOWING:			
1	ASSY, SELECT MODULE	200288-003	1	U11
2				
3	CAPACITOR, TANTL., 10% 0.1UF	150100-104	1	C36
4	CAPACITOR, TANTL., 10% 1UF	150100-105	2	C40,41
5				
6	RESISTOR, 1/4 W., 5% 11K	150000-113	2	R88,94
7				
8	WIRE, INSULATED, AWG 24		A/R	JUMPER FROM A TO B
				JUMPER FROM D TO E
				JUMPER FROM F TO G
				JUMPER FROM H TO J
				JUMPER FROM M TO P
				JUMPER FROM R TO S
				JUMPER FROM W TO Y
				JUMPER FROM AA TO AB
				JUMPER FROM AD TO AF
				JUMPER FROM AH TO AK
				JUMPER FROM AL TO AM
				JUMPER FROM AT TO AY
				JUMPER FROM AU TO AW
				JUMPER FROM BA TO BB
				JUMPER FROM BD TO BE
				JUMPER FROM BH TO BJ
				JUMPER FROM BK TO BM
				SECTOR "0" JUMPER 32
				SECTOR "1" JUMPER 32
	NOTE: JUMPER POINTS NOT LISTED			CHASSIS GND W1
	ARE OPEN (NOT USED)			

REV B  
 DWG NO. 200263-008

MATERIAL LIST

TITLE ASSEMBLY, PCB DATA AND INTERFACE  
 DWG NO. 200263-008  
 REV B  
 SHEET 1 OF 1

MODEL 270 SINGLE DENSITY, SELECTABLE DRIVE  
**PERSCI, INC.**

ITEM NO.	DRAWING TITLE	DWG NO.	QTY	REMARKS
	USE BASIC BD 200263-000			
	LATEST REVISION AND			
	ADD THE FOLLOWING:			
1	ASSY., SELECT MODULE	200288-003	1	U11
2				
3	CAPACITOR, TANTL., 10% 0.1UF	150100-104	1	C36
4	CAPACITOR, TANTL., 10% 0.1UF	150100-104	2	C40,41
5				
6	RESISTOR, 1/4 W., 5% 36K	150000-363	2	R88,94
7				
8	WIRE, INSULATED AWG 24		A/R	JUMPER FROM A TO B
				JUMPER FROM D TO E
				JUMPER FROM F TO G
				JUMPER FROM H TO J
				JUMPER FROM M TO P
				JUMPER FROM R TO S
				JUMPER FROM W TO X
				JUMPER FROM AB TO AC
				JUMPER FROM AD TO AE
				JUMPER FROM AH TO AJ
				JUMPER FROM AL TO AM
				JUMPER FROM AY TO AT
				JUMPER FROM AV TO AW
				JUMPER FROM BA TO BB
				JUMPER FROM BD TO BE
				JUMPER FROM BK TO BM
				CHASSIS GND W1
	NOTE: JUMPER POINTS NOT LISTED			
	ARE OPEN (NOT USED)			

**MATERIAL LIST**

REV C  
DWG NO. 200263-001

<b>TITLE</b> ASSEMBLY, PCB DATA AND INTERFACE	<b>DWG NO.</b> 200263-009	<b>REV</b> C	<b>SHEET 1 OF 1</b>
--	------------------------------	-----------------	---------------------

MODEL 270 SELECTABLE DRIVE,  
16 SEPARATED SECTORS

**PERSCI, INC.**

ITEM NO.	DRAWING TITLE	DWG NO.	QTY	REMARKS
	USE BASIC BD 200263-000			
	LATEST REVISION AND			
	ADD THE FOLLOWING:			
1	IC 74193	150614	2	U16,27
2	<del>IC 75453</del>	<del>150618</del>	1	<del>U59 'DELETE'</del>
3	CAPACITOR, TANTL., 10% 0.1UF	150100-104	1	C36
4	CAPACITOR, TANTL., 10% 1UF	150100-105	2	C40,41
5				
6	RESISTOR, 1/4 W., 5% 11K	150000-113	2	R88,94
7	ASSY., SELECT MODULE	200288-003	1	U11
8	WIRE, INSULATED AWG 24		A/R	JUMPER FROM A TO B
				JUMPER FROM D TO E
				JUMPER FROM F TO G
				JUMPER FROM H TO J
				JUMPER FROM M TO P
				JUMPER FROM R TO S
				JUMPER FROM W TO Y
				JUMPER FROM AA TO AB
				JUMPER FROM AD TO AF
				JUMPER FROM AH TO AK
				JUMPER FROM AL TO AM
				JUMPER FROM AT TO AY
				JUMPER FROM AV TO AW
				JUMPER FROM BA TO BB
				JUMPER FROM BD TO BE
				JUMPER FROM BH TO BJ
				JUMPER FROM BK TO BM
				SECTOR "0" JUMPER 16
				SECTOR "1" JUMPER 16
	NOTE: JUMPER POINTS NOT LISTED			CHASSIS GND W1
	ARE OPEN (NOT USED)			

REV 5  
 DWG NO. 200263-010

**MATERIAL LIST**

**TITLE** ASSEMBLY, PCB DATA AND INTERFACE      **DWG NO.** 200263-010      **REV** 5      **SHEET** 1 **OF** 1

MODEL 277 HARD SECTOR 32 SECTOR ROTARY SELECT      **PERSCI, INC.**

ITEM NO.	DRAWING TITLE	DWG NO.	QTY	REMARKS
	USE BASIC BD 200263-000			
	LATEST REVISION AND			
	ADD THE FOLLOWING:			
1				
2				
3	CAPACITOR, TANTL., 10%      0.1UF	150100-104	1	C36
4	CAPACITOR, TANTL., 10%      1.0UF	150100-105	2	C40,41
5				
6	RESISTOR, ¼ W., 5%      11K	150000-113	2	R88,94
7	MODULE, SELECT	200288-005	1	U11
8	WIRE, INSULATED, AWG 24		A/R	JUMPER FROM A TO B
				JUMPER FROM J TO Z
				JUMPER FROM K TO L
				JUMPER FROM N TO P
				JUMPER FROM S TO T
				JUMPER FROM W TO Y
				JUMPER FROM AA TO AB
				JUMPER FROM AD TO AF
				JUMPER FROM AH TO AK
				JUMPER FROM AM TO AN
				JUMPER FROM AP TO AR
				JUMPER FROM AS TO AT
				JUMPER FROM AV TO AW
				JUMPER FROM BC TO BB
				JUMPER FROM BD TO BE
				JUMPER FROM BL TO BM
				SECTOR "0" JUMPER 32
				SECTOR "1" JUMPER 32
	NOTE: JUMPER POINTS NOT LISTED			CHASSIS GND W1
	ARE OPEN (NOT USED)			

REV B  
 DWG NO. 200263-011

MATERIAL LIST

TITLE ASSEMBLY, PCB DATA AND INTERFACE	DWG NO. 200263-011	REV B	SHEET 1 OF 1
---	-----------------------	----------	--------------

MODEL 277 ROTARY SELECT MFM 32 SECTOR **PERSCI, INC.**

ITEM NO.	DRAWING TITLE	DWG NO.	QTY	REMARKS
	USE BASIC BD 200263-000			
	LATEST REVISION AND			
	ADD THE FOLLOWING:			
1				
2				
3	CAPACITOR, TANTL., 10% 0.1UF	150100-104	1	C36
4	CAPACITOR, TANTL., 10% 1.0UF	150100-105	2	C40,41
5				
6	RESISTOR, 1/4 W., 5% 11K	150000-113	2	R88,94
7	MODULE, SELECT	200238-005	1	U11
8	WIRE, INSULATED, AWG 24		A/R	JUMPER FROM A TO B
				JUMPER FROM J TO Z
				JUMPER FROM K TO L
				JUMPER FROM N TO P
				JUMPER FROM S TO T
				JUMPER FROM W TO Y
				JUMPER FROM AA TO AB
				JUMPER FROM AD TO AF
				JUMPER FROM AH TO AK
				JUMPER FROM AM TO AN
				JUMPER FROM AP TO AR
				JUMPER FROM AS TO AT
				JUMPER FROM AV TO AW
				JUMPER FROM BC TO BB
				JUMPER FROM BD TO BE
				JUMPER FROM BH TO BJ
				JUMPER FROM BL TO BM
				SECTOR "0" JUMPER 32
				SECTOR "1" JUMPER 32
	NOTE: JUMPER POINTS NOT LISTED			CHASSIS GND W1
	ARE OPEN (NOT USED)			



**MATERIAL LIST**

REV C  
DWG NO. 200263-012

**TITLE**  
ASSEMBLY, PCB DATA AND INTERFACE

**DWG NO.**  
200263-012

**REV**  
C

**SHEET** 1 **OF** 2

MODEL 270 DOUBLE DENSITY  
EXTERNAL PLO SYNC

**PERSCI, INC.**

ITEM NO.	DRAWING TITLE	DWG NO.	QTY	REMARKS
	USE BASIC BD 200263-000 REV "H"			
	OR LATER REVISION AND ADD THE			
	FOLLOWING:			
1				
2				
3	CAPACITOR, TANTL., 10% 0.1 UF	150100-104	1	C36
4	CAPACITOR, TANTL., 10% 0.1 UF	150100-104	2	C40, 41
5				
6	RESISTOR, 1/4 W., 5% 36K	150000-363	2	R88, 94
7	MODULE SELECT	200288-001	1	U11
8	WIRE, INSULATED AWG 24		A/R	JUMPER FROM A TO B
				JUMPER FROM D TO E
				JUMPER FROM F TO G
				JUMPER FROM H TO J
				JUMPER FROM M TO P
				JUMPER FROM R TO S
				JUMPER FROM W TO X
				JUMPER FROM AB TO AC
				JUMPER FROM AD TO AE
				JUMPER FROM AH TO AJ
				JUMPER FROM AL TO AM
				JUMPER FROM AY TO AT
				JUMPER FROM AV TO AW
				JUMPER FROM BA TO BB
				JUMPER FROM BD TO BE
				JUMPER FROM BK TO BM
				CHASSIS GND W1
			*	JUMP BH TO U11 PIN 10
	NOTE: JUMPER POINTS NOT LISTED			
	ARE OPEN (NOT USED)			
	*INSTALL ON BACK SIDE OF PCB			
	USING ITEM 129			

REV

C

# PERSCI INCORPORATED

# MATERIAL LIST

TITLE ASSY., PCB DATA & INTERFACE			M/L NO. 200263-012		REV C
COMPILED BY: R. MIYASATO	DATE 4/25/8	CHECKED BY:	DATE	APPROVED BY: DATE	RELEASE/CHANGE DATE
NEXT ASSY. 200131-034	1ST USED ON 270 QANTEL		DWG SIZE D	SHEET <u>2</u> OF <u>2</u>	

M/L NO.

200263-012

ITEM NO.	DRAWING TITLE	DWG NO.	QTY	CODE	REMARKS
129	WIRE, WIRE WRAP	100106	AR		
130					
131	HOUSING, RECEP.	100179-002	1		J50
132	CONTACT, MALE	100177	2		
133					
134	WIRE, STRAND, PVC	100183-124	AR		BRN
135	WIRE, STRAND, PVC	100183-524	AR		GRN
136					
137	INSTRUCTION, MOD.	200633	R		

**CODE: D = DETAIL PART WITH NO M/L    A = ASSEMBLY WITH M/L**  
**R = REFERENCE DOCUMENT       S = SHIP SEPARATE**

## MATERIAL LIST

REV (g)  
DWG. NO. 200263-013

<b>TITLE</b> ASSEMBLY, PCB DATA AND INTERFACE	<b>DWG NO.</b> 200263-013	<b>REV</b> /	<b>SHEET 1 OF 1</b>
--	------------------------------	-----------------	---------------------

MODEL 270 SPECIAL INTERFACE PERSCI, INC.

ITEM NO.	DRAWING TITLE	DWG NO.	QTY	REMARKS
----------	---------------	---------	-----	---------

	USE BASIC BD 200263-000			
	REVISION 'N' AND LATER			
	ADD THE FOLLOWING			
1				
2				
3	CAPACITOR, TANTL., 10% 0.1UF	150100-104	1	C36
4	CAPACITOR, TANTL., 10% 0.1UF	150100-104	2	C40,41
5				
6	RESISTOR 1/4W., 5% 36K	150000-363	2	R88,94
7	MODULE, SELECT	200288-003	1	U11
8	WIRE, INSULATED AWG24		A/R	JUMPER FROM A TO B
				JUMPER FROM D TO E
				JUMPER FROM F TO G
				JUMPER FROM H TO J
				JUMPER FROM M TO P
				JUMPER FROM R TO S
				JUMPER FROM W TO X
				JUMPER FROM AA TO AB
				JUMPER FROM AD TO AE
				JUMPER FROM AK TO AH
				JUMPER FROM AM TO AN
				JUMPER FROM AY TO AT
				JUMPER FROM AV TO AW
				JUMPER FROM BA TO BB
				JUMPER FROM BD TO BE
				JUMPER FROM BK TO BM
				<b>JUMPER FROM U TO V</b>
				SECTOR O JUMPER I
				SECTOR I JUMPER I
				CHASSIS GND WI

NOTE: JUMPER POINTS NOT LISTED  
ARE OPEN (NOT USED)

# **PERSCI, INC.**

**12210 Nebraska Ave  
W Los Angeles  
CA 90025**

**MAY, 1978**