



**PERQ Systems
Corporation**

INSTALLING YOUR PERQ2

PERQ2 USER GUIDE

March 1984

Copyright (C) 1984
International Computers Limited
Lovelace Road Bracknell
Berkshire RG12 4SN England

Copyright (C) 1984
PERQ Systems Corporation
2600 Liberty Avenue
P. O. Box 2600
Pittsburgh, PA 15230
(412) 355-0900



**PERQ Systems
Corporation**

INSTALLING YOUR PERQ2

March 1984

Copyright(C) 1984
International Computers Limited
Lovelace Road Bracknell
Berkshire RG12 4SN England

Copyright(C) 1984
PERQ Systems Corporation
2600 Liberty Avenue
P. O. Box 2600
Pittsburgh, PA 15230
(412) 355-0900

This document is not to be reproduced in any form or transmitted in whole or in part, without the prior written authorization of PERQ Systems Corporation.

The information in this document is subject to change without notice and should not be construed as a commitment by PERQ Systems Corporation. The company assumes no responsibility for any errors that may appear in this document.

PERQ Systems Corporation will make every effort to keep customers apprised of all documentation changes as quickly as possible. The Reader's Comments card is distributed with this document to request users' critical evaluation to assist us in preparing future documentation.

PERQ and PERQ2 are trademarks of PERQ Systems Corporation.

INSTALLING YOUR PERQ2

GENERAL INFORMATION

Physical Dimensions

	Height	Width	Depth	Weight
Processor	660 mm	390 mm	720 mm	75 kg
Display	430 mm	325 mm	373 mm	16 kg
Standard tablet	15 mm	208 mm	268 mm	1.5 kg
High-resolution tablet	45 mm	395 mm	395 mm	3 kg
Keyboard	42 mm	486 mm	228 mm	2.5 kg

Power Requirements

Model	Voltage	Current
-00	220-240 50Hz	5A
-10	110-120 60Hz	8A

Environment

Temperature	10 to 35 degrees C
Humidity	20% to 80% RH

Tools Needed

A small, bladed screwdriver

WARNING

THIS EQUIPMENT IS NOT SUITABLE FOR DIRECT CONNECTION TO AN IMPEDANT NEUTRAL (IT) POWER SYSTEM.

CAUTION

1. Ensure that all units are operated on a firm, level surface at all times.
2. Do not position the equipment where it will be exposed to direct sunlight, high temperature, or high humidity.
3. Do not position the equipment in a dirty, dusty, or explosive atmosphere.

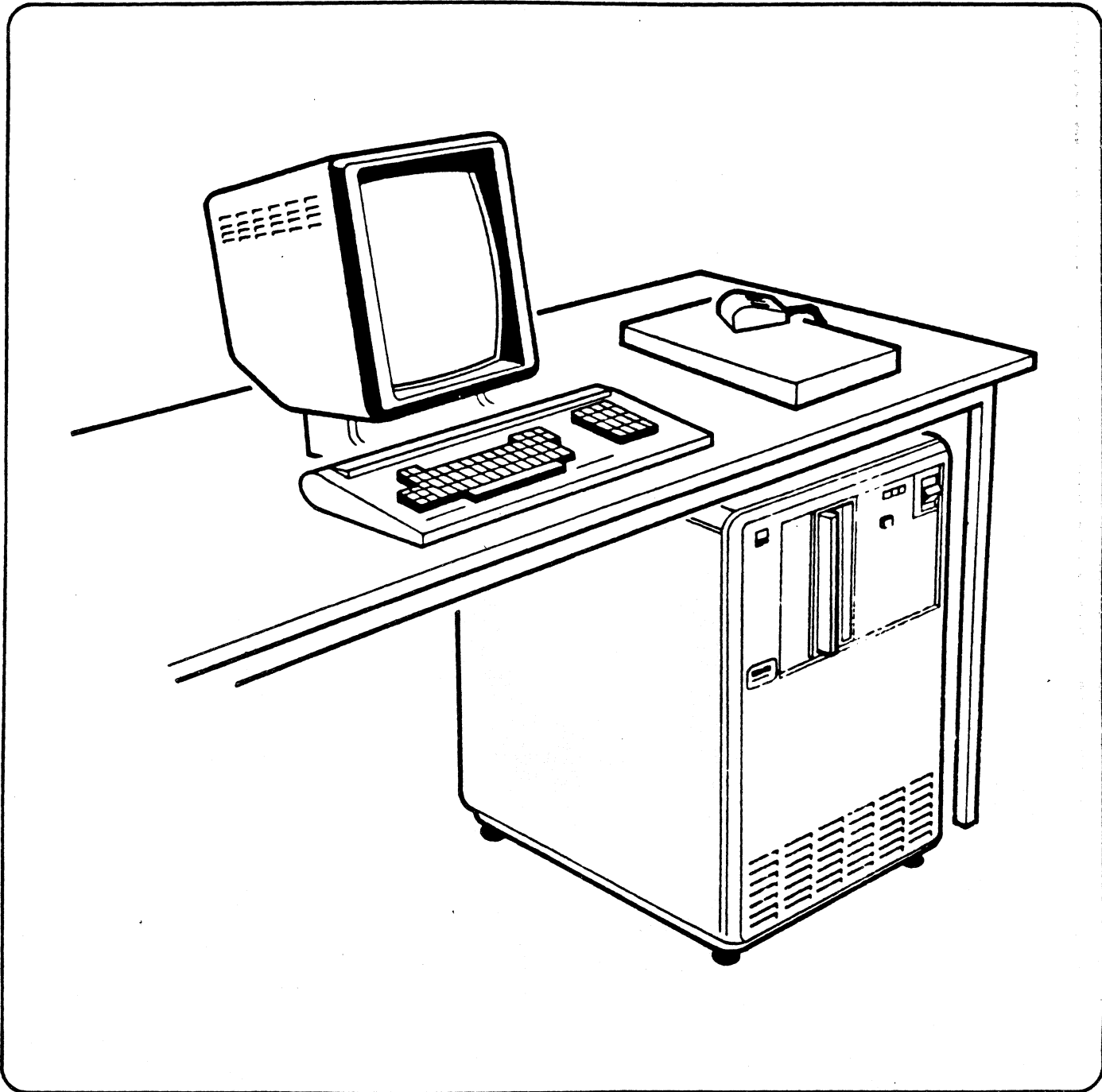


Figure 1. Typical PERQ2 System

INSTALLATION PROCEDURE

1. Unpack and check the goods received.

After you unpack the boxes as shown on the stickers on the outside of the boxes, keep the packing materials if you have a contract that requires you to return your system for service or repair.

You should have the following items:

- Lever (for adjusting the feet of the processor)
- Installation test floppy disk
- Processor with main lead and GPIB interface cable
- Display with power cable, interface cable, and co-ax cable
- Keyboard
- One of the following tablets:
 - Standard tablet with 3-button puck
 - High-resolution tablet with power cable and 4-button puck

You may also have one or more of the following optional items:

- Stylus (for high-resolution tablet)
- Loop-back plug for RS232 interface
- No. 2281 Laser printer with controller board and 20' interface cable
- No. 2283 Letter quality printer with 20' RS232 cable
- No. 2284 Electrostatic printer/plotter with GPIB interface cable
- No. 2285 Dot matrix impact printer with 20' RS232 cable
- Ethernet connection cables and transceiver
- Direct connection cables
- Modem connection cable with barrier box and additional cable if necessary

IMPORTANT: Contact your supplier immediately if anything is missing, damaged, or incorrect.

2. Prepare the high-resolution tablet (if supplied).

You must magnetically bias the high-resolution graphics tablet before use (and also subsequently if magnetic materials are accidentally placed on or near it). Bias the tablet as follows:

Hold the magnet as shown below, with the arrows uppermost and pointing toward you;

Place the magnet firmly against the surface of the tablet and wipe diagonally from upper left to lower right in one continuous motion.

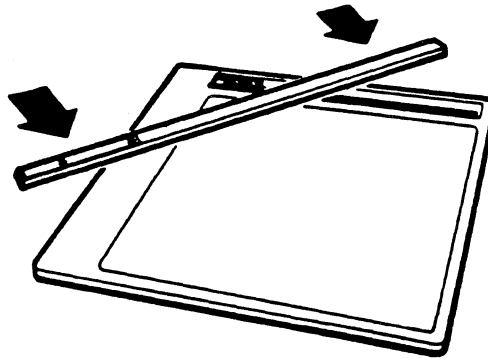


Figure 2. Biasing the High-Resolution Tablet

CAUTION

Once you have biased the tablet correctly, store the magnet away from the tablet and other magnetic media such as floppy disks.

3. Prepare optional peripherals.

Refer to the installation instructions supplied with the application kit for your peripheral.

IMPORTANT: All equipment connected directly to your PERQ2 processor must be powered from the same phase of main supply and share a common safety ground.

4. Prepare the processor.

The packing piece must be removed from behind the door catch of the floppy disk drive at the front of your processor. Press the door catch to open the door and eject the packing.

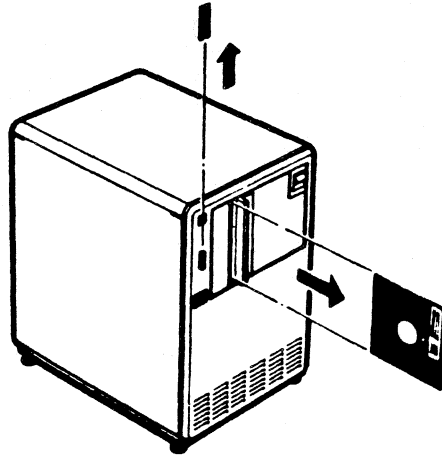


Figure 3. Removing Packing from Floppy Disk Drive

Then locate the processor in its final position (if the final position will prevent access to the rear panel, move the processor as near as possible to the final position).

5. Connect the units.

Details are given on Figures 4 and 5 and in the descriptions following these figures.

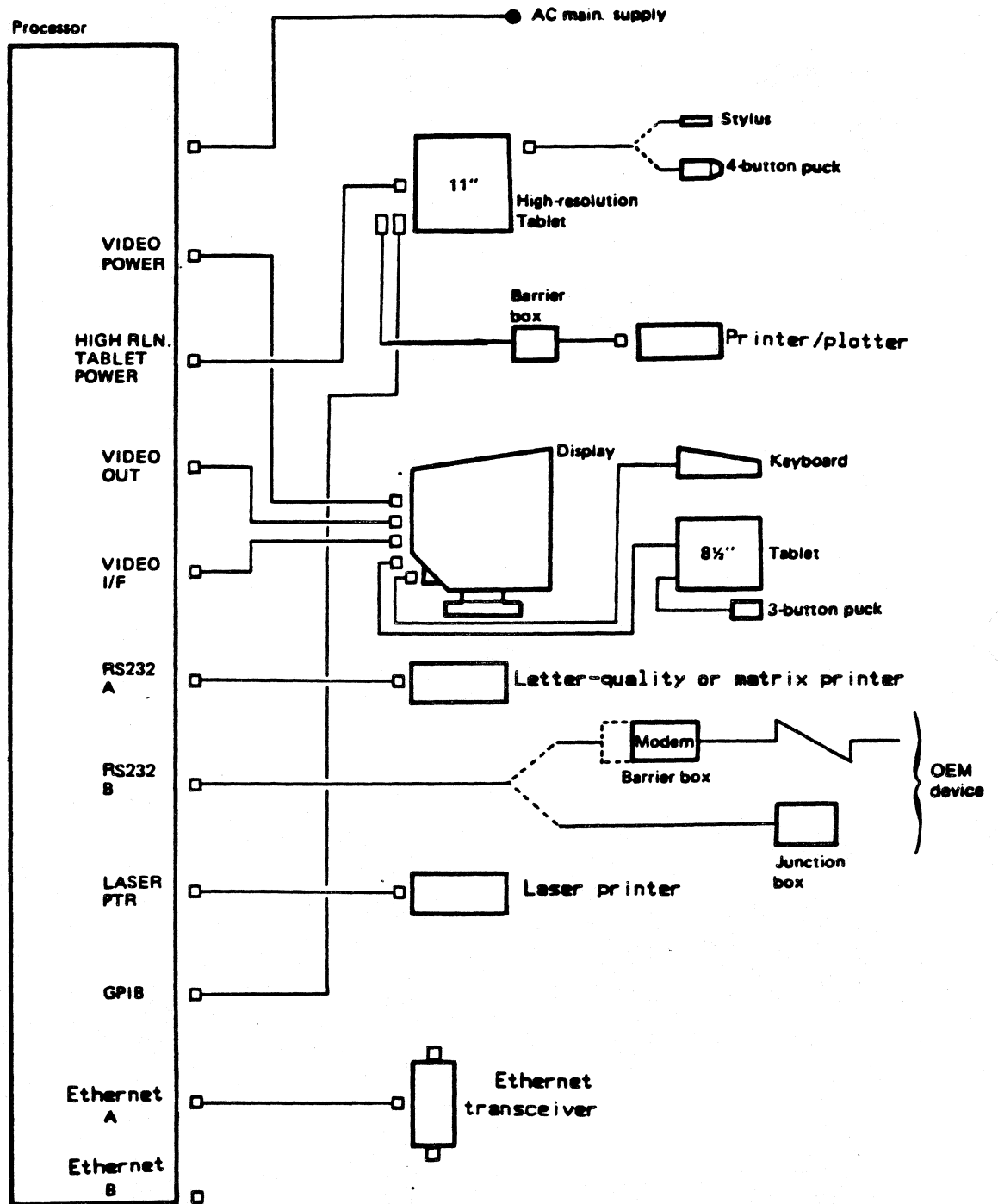


Figure 5. Connections to Processor

Display

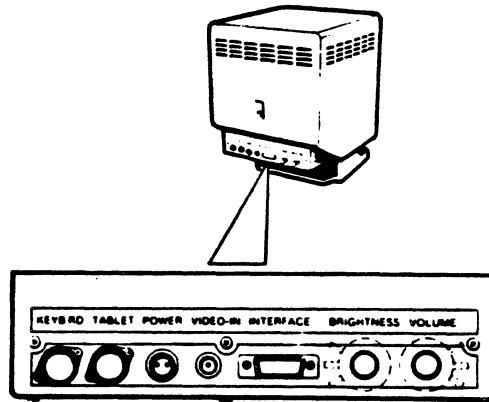


Figure 6. Rear Panel of Display

Connect the unlabelled co-ax cable between VIDEO OUT on the processor and VIDEO IN on the display.

Connect the cable end labelled PERQ VIDEO to VIDEO I/F on the processor, and the end labelled VIDEO to INTERFACE on the display. Secure both ends by tightening the screws on the plugs.

Connect the cable end labelled PERQ VIDEO to VIDEO POWER on the processor, and the end labelled VIDEO to POWER on the display.

Keyboard

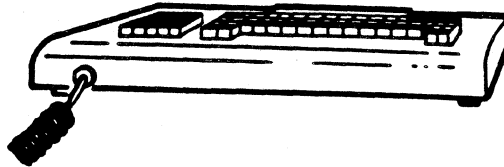


Figure 7. Keyboard

Plug the coiled cable attached to the keyboard into the display socket marked KEYB'RD.

Tablet

Standard tablet:

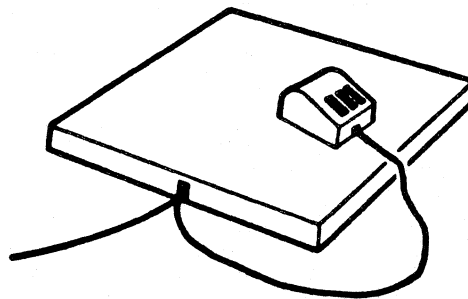


Figure 8. Standard Tablet

Connect the cable from the tablet to the display socket marked TABLET.

High-resolution tablet:

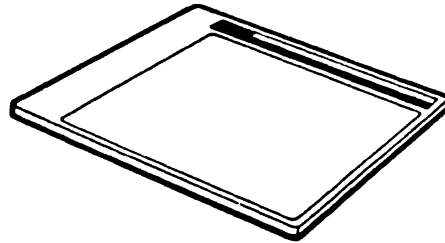


Figure 9. High-Resolution Tablet

Ensure that the round 5-pin plug and the socket at the rear of the tablet are connected.

Connect the cable end labelled PERQ GPIB to GPIB on the processor, and connect the other end to the tablet. Secure both ends by tightening the screws on the plugs.

Connect the unlabelled cable between TABLET POWER on the processor and the tablet. Secure the cable at the tablet end with the clip provided, leaving sufficient loop of cable between the clip and connector for subsequent removal.

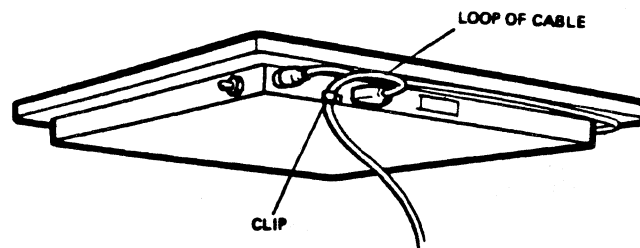


Figure 10. Underside of the High-Resolution Tablet

Connect the puck (or stylus) to the tablet by plugging it into the round 7-pin DIN socket on the front of the tablet.

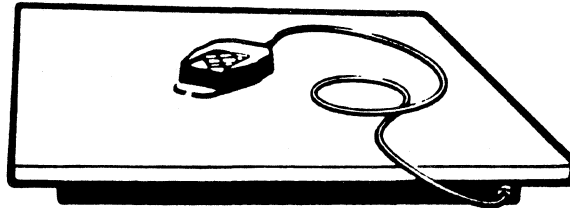


Figure 11. Front of the High-Resolution Tablet

Optional connections

Laser printer (No. 2281)

The laser printer is equipped with a controller board. Plug the board into the I/O option slot on the processor and connect the cable to the D connector on the printer.

Letter-quality printer (No. 2283)
Matrix Printer (No. 2285)

Connect to the RS232 socket (A or B) on the processor.

Electrostatic printer/plotter (No. 2284)

If you have a high-resolution tablet, connect the interface cable from the printer to the GPIB connector on the tablet.

If you do not have a high-resolution tablet, connect the printer interface cable to the cable from the processor's GPIB socket. You may wish to tape over the exposed contacts of the GPIB connector at the junction of these cables to prevent accidental damage or contact with metal objects.

Ethernet

Connect to the Ethernet A socket on the processor.

Communications

Connect to the RS232 socket (A or B) on the processor.

For connection by modems (via a barrier box if necessary), follow your modem supplier's instructions.

Direct connection must be performed only by a PERQ Systems engineer.

Processor

Plug one end of the main lead into the processor main socket.

DO NOT connect the other end of the lead to your main supply yet.

6. Make final adjustments.

Replace the rear plastic cover on the processor.

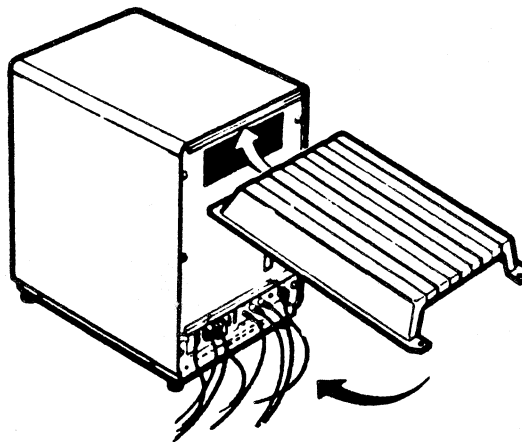


Figure 12. Rear Plastic Cover for the Processor

Carefully move the processor into its final position and check that it is level and steady. Use the lever provided to adjust the feet as necessary.

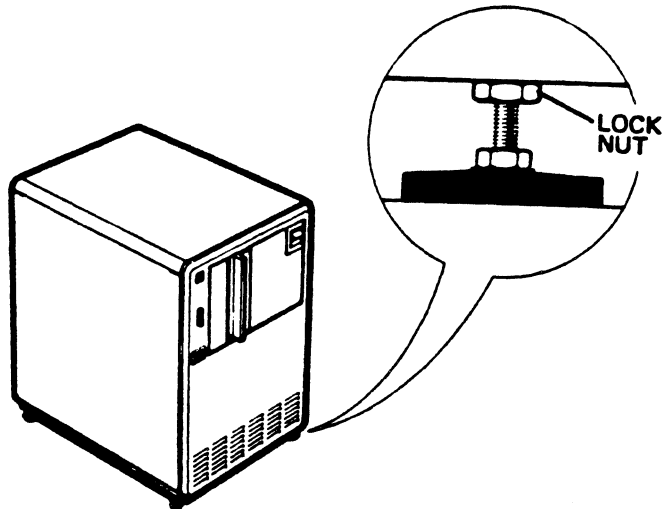


Figure 13. Adjusting the Feet of the Processor

Ensure that the main cables are kept apart from, and do not run parallel to, peripheral cables.

7. Connect the processor to the main supply.

Ensure that a properly designed, accessible wall socket has been provided by a qualified electrician.

Connect the processor main lead to the wall socket.

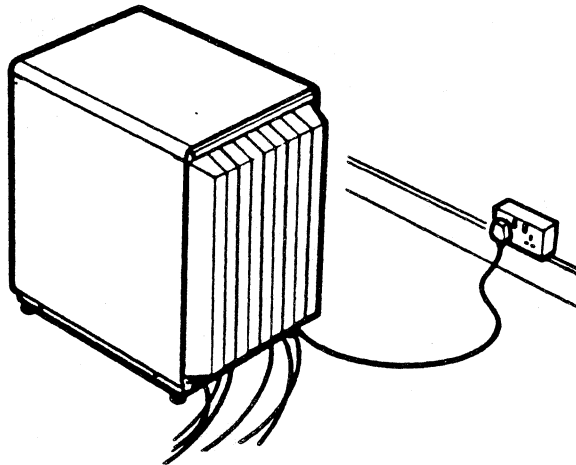


Figure 14. Processor with All Connections Made

WARNING

Never move the processor with the power switched on. Remove the main plug first and consult the PERQ2 User Guide for further instructions.

Now read the PERQ2 User Guide for details of how to run the installation test.

Please complete and return the Customer's Report on Condition of Equipment.