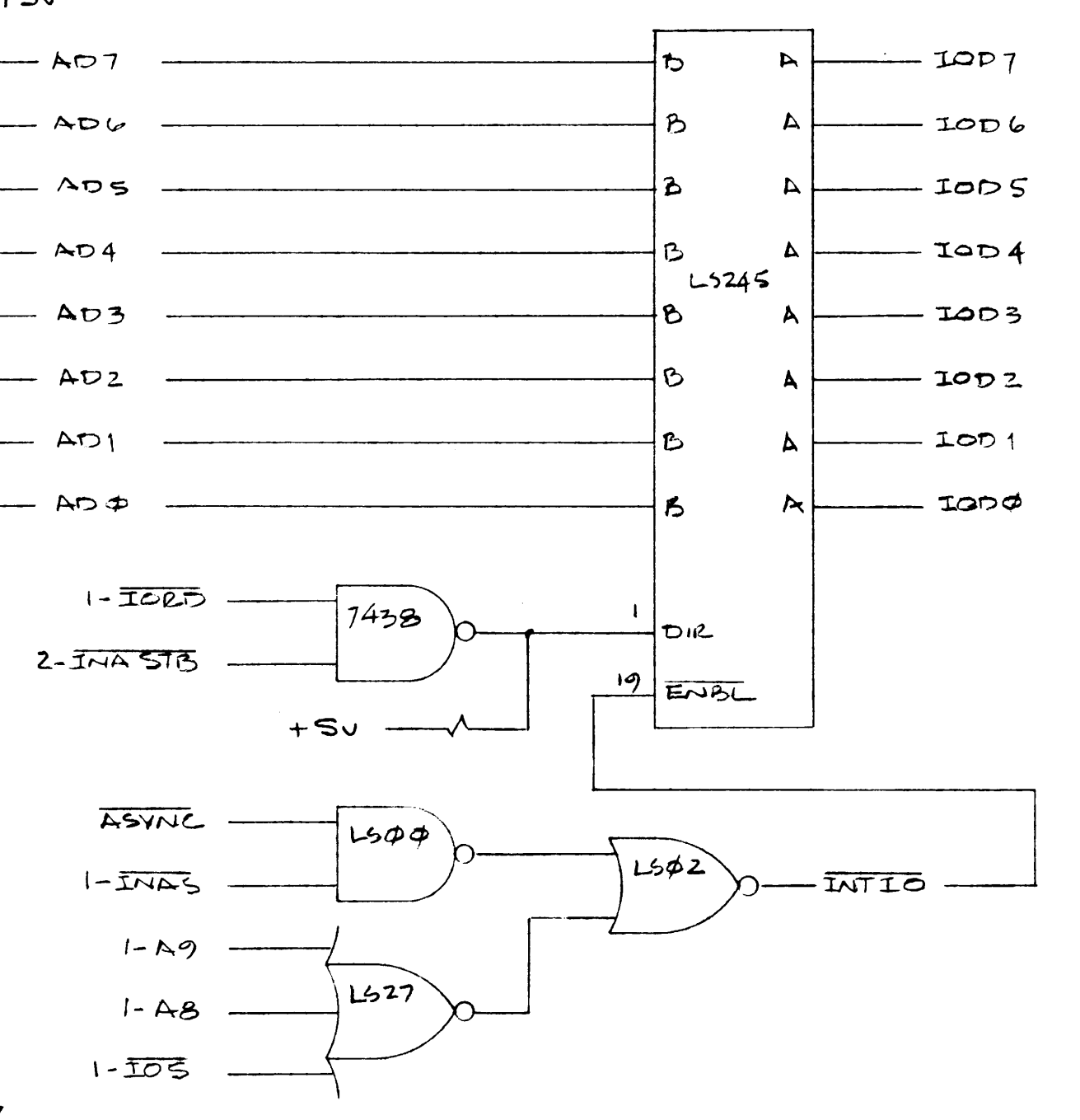
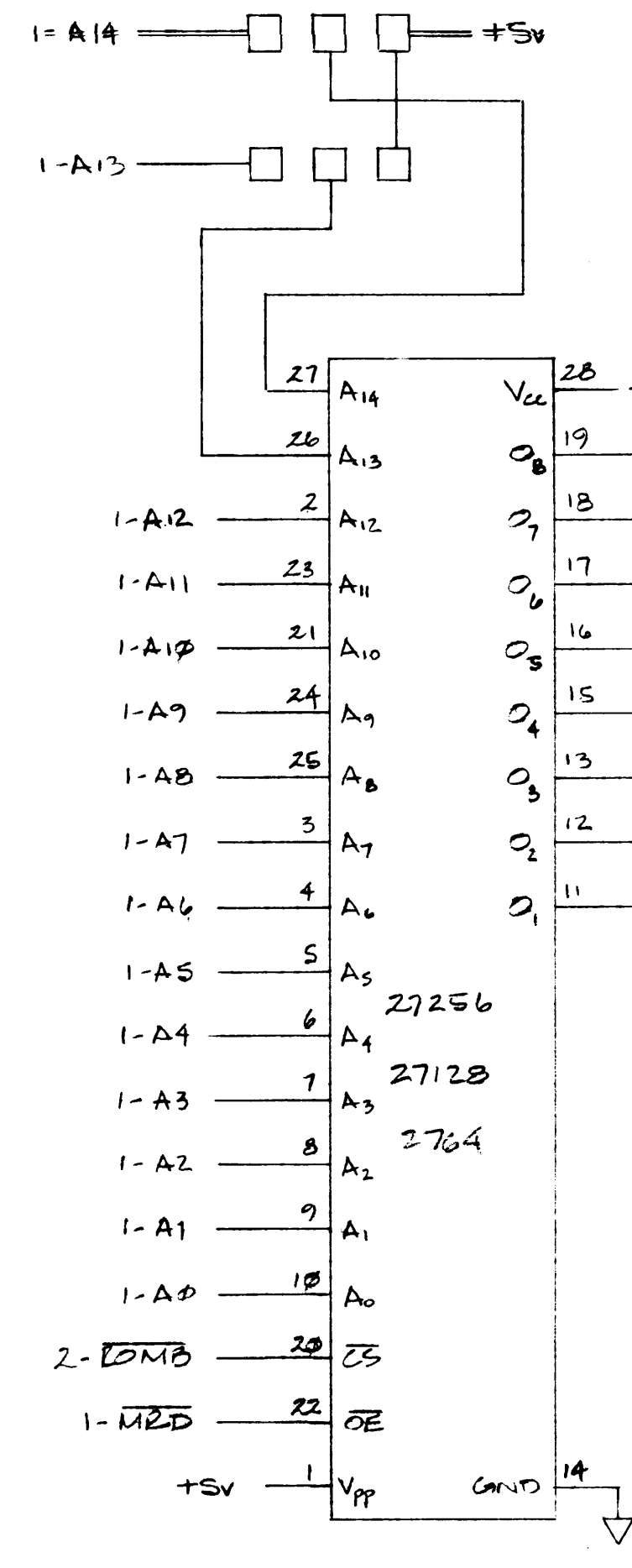
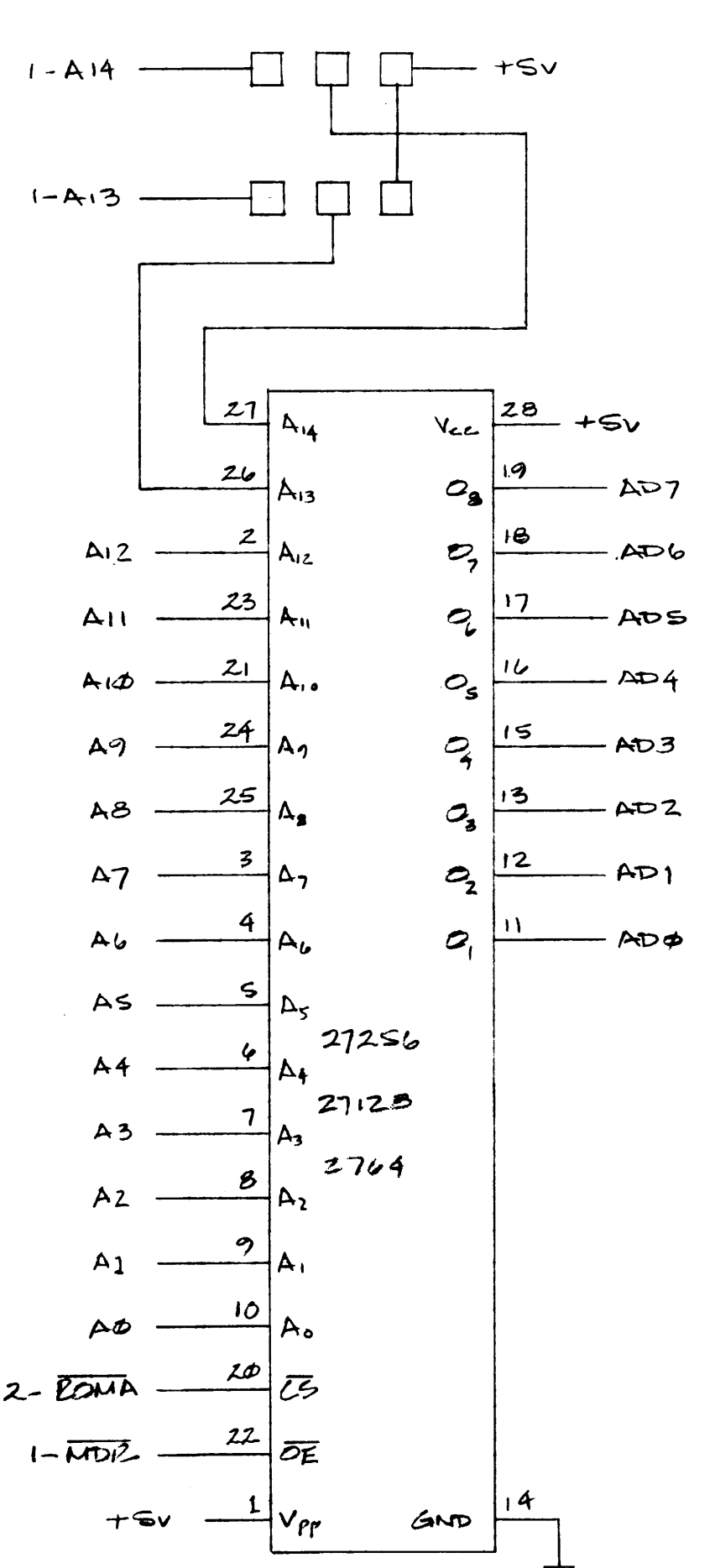
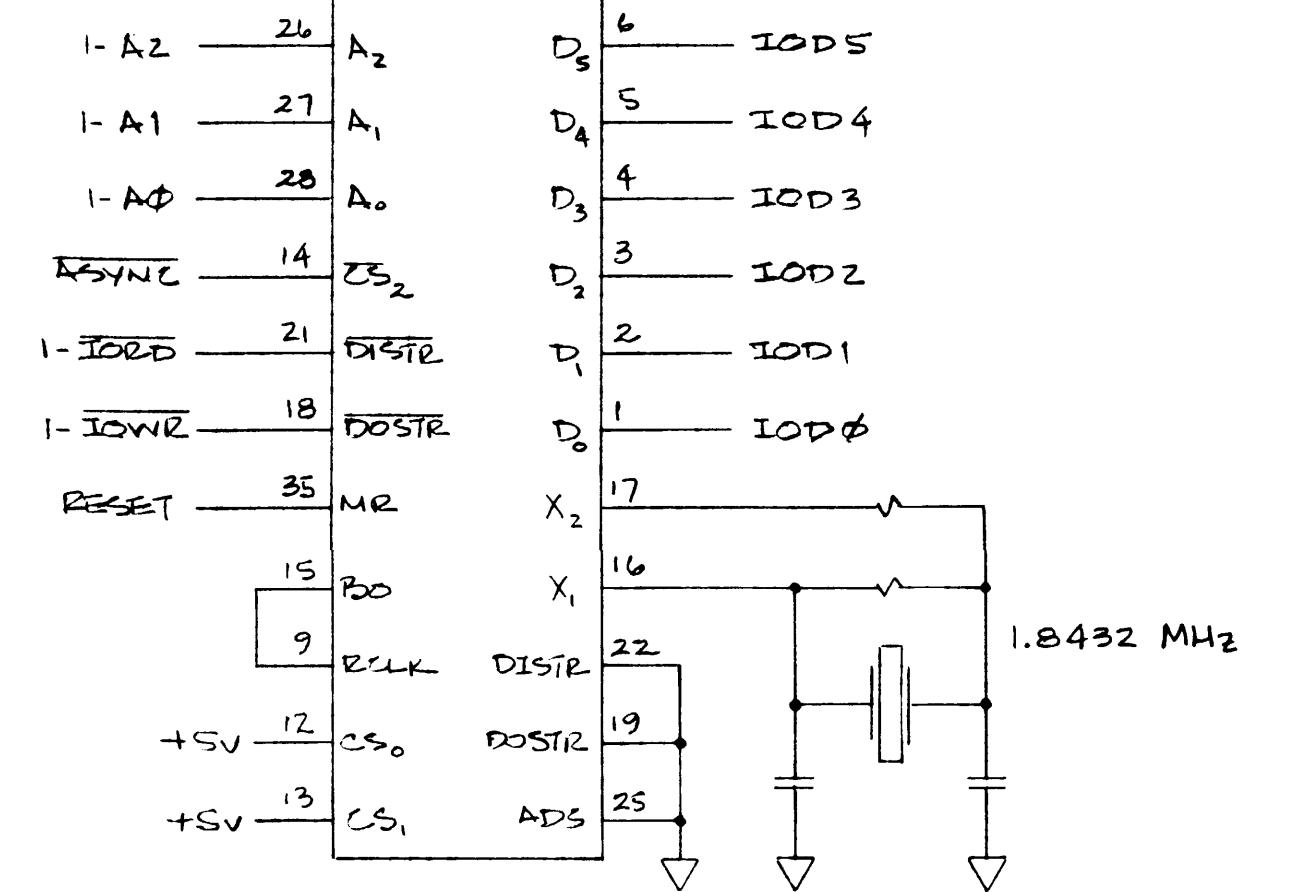
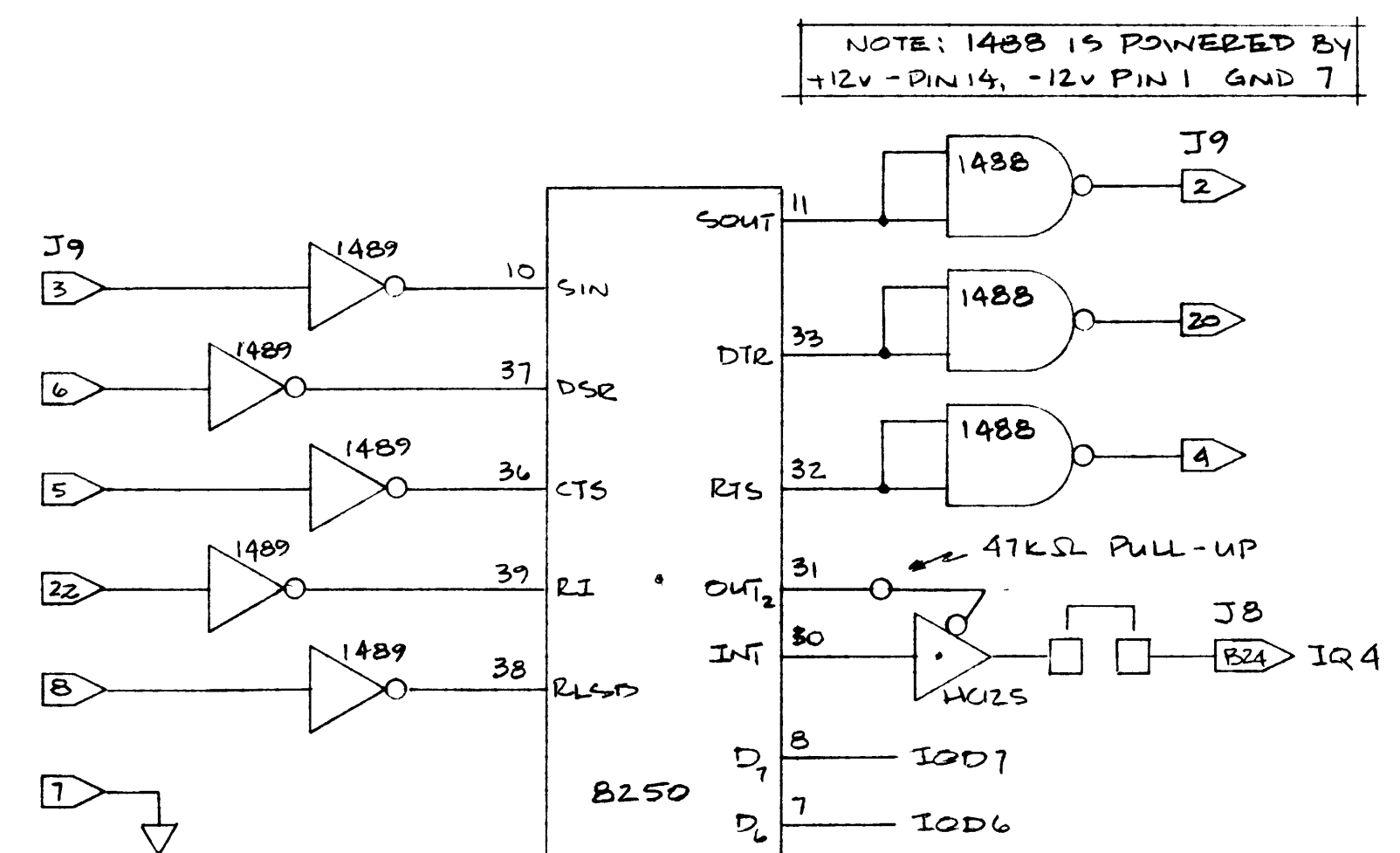
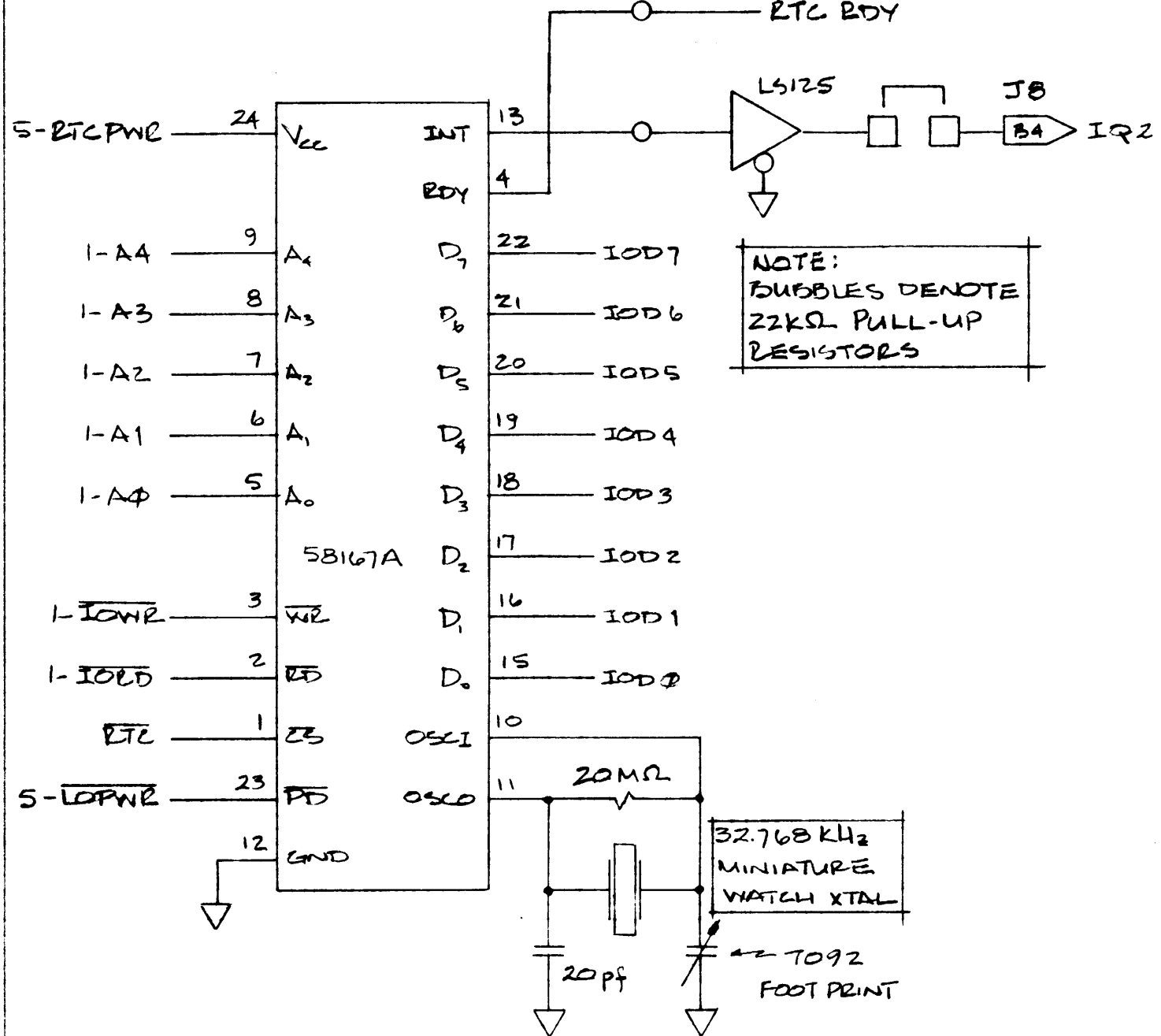
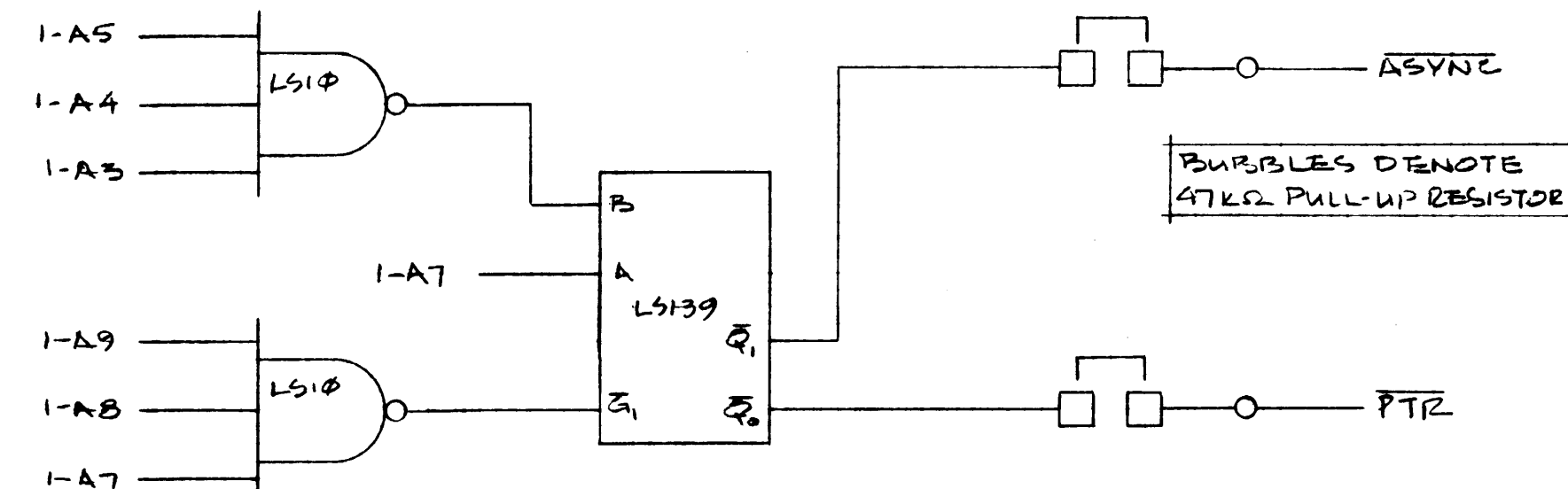
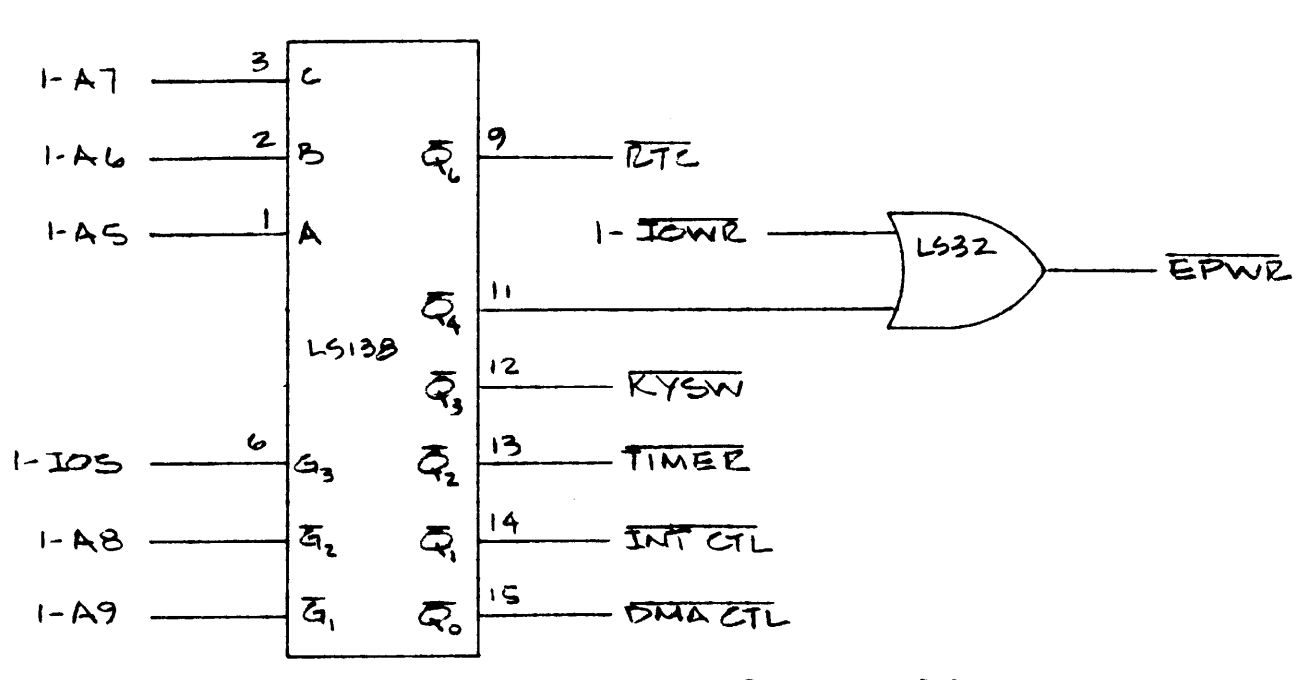
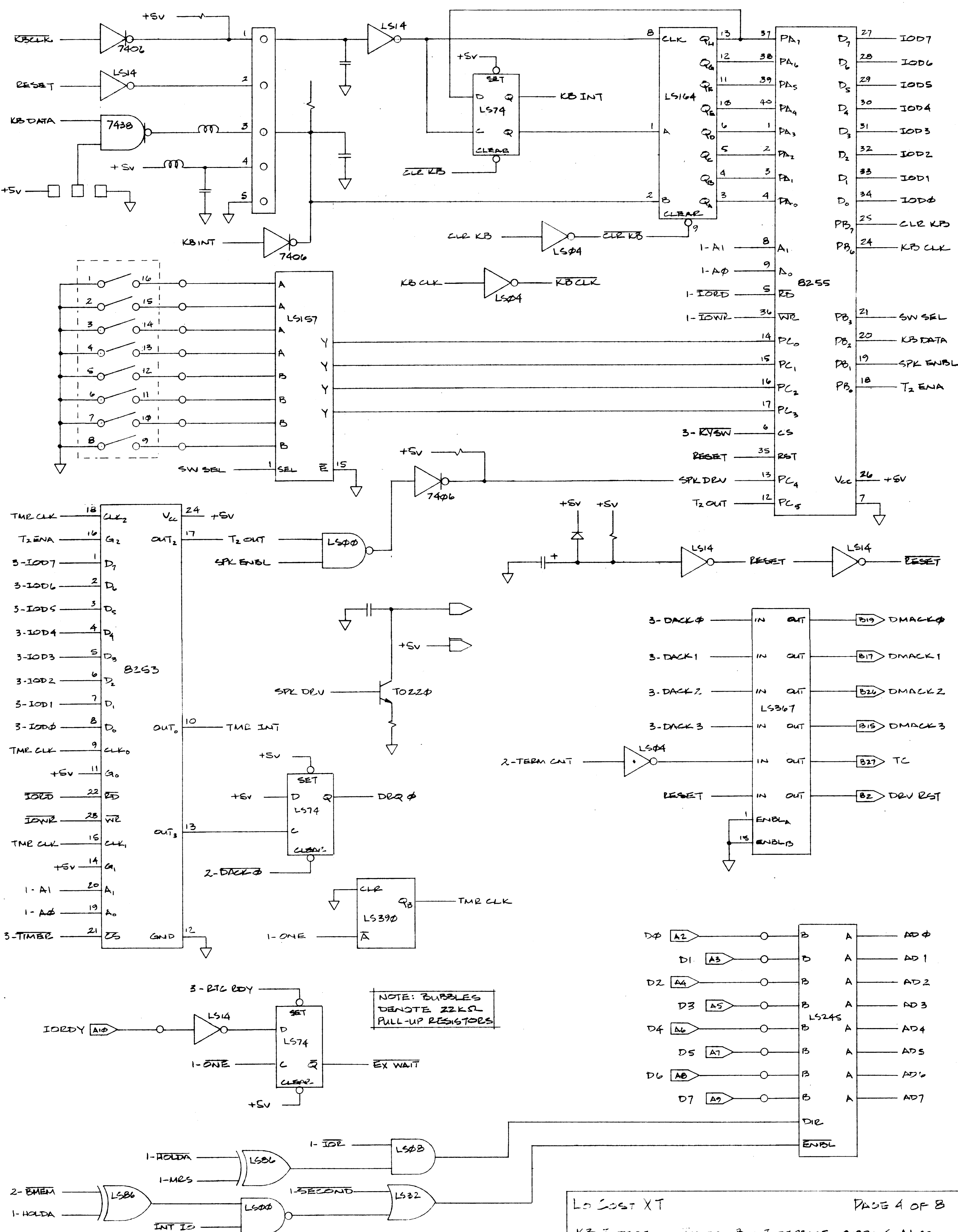
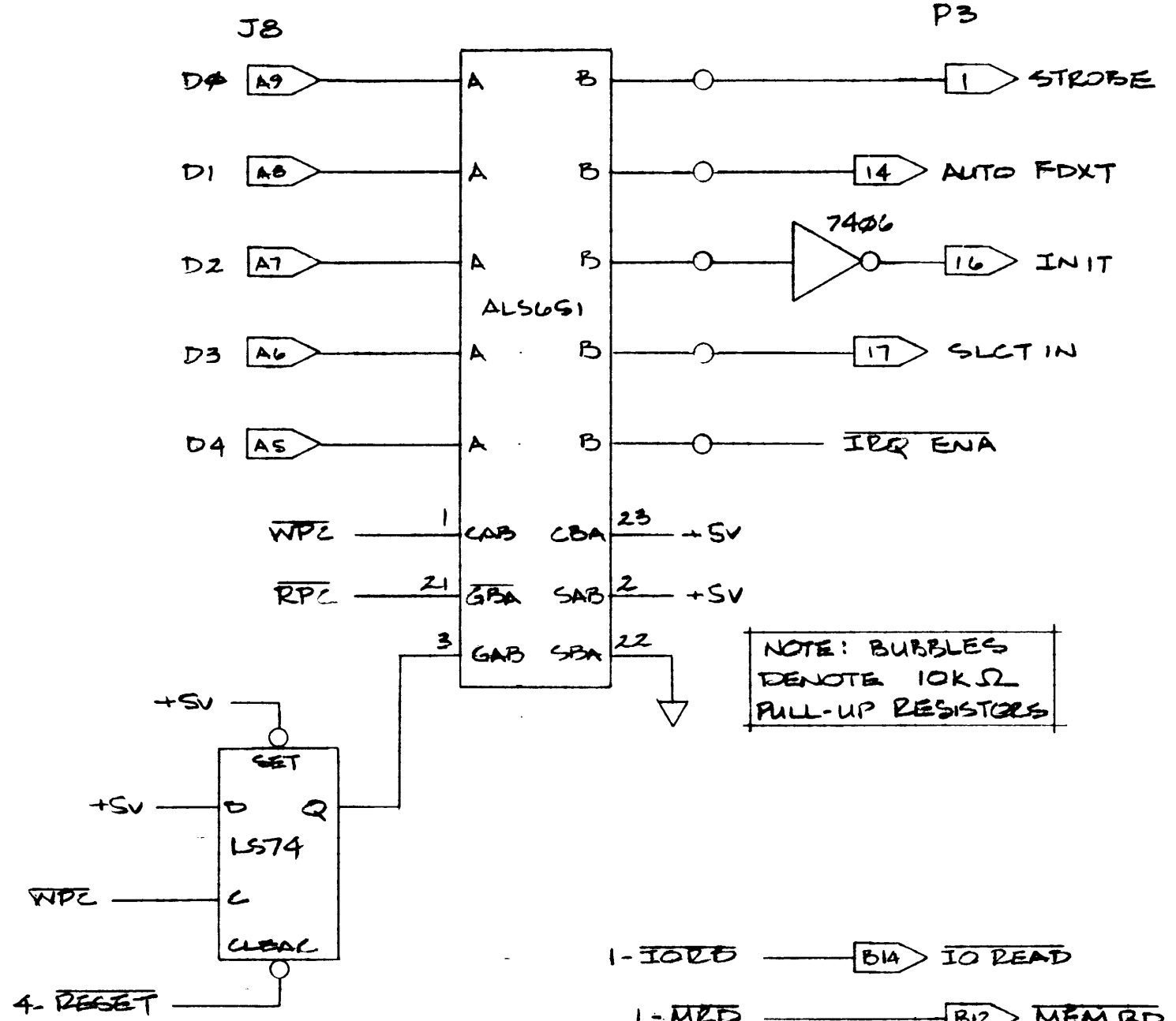
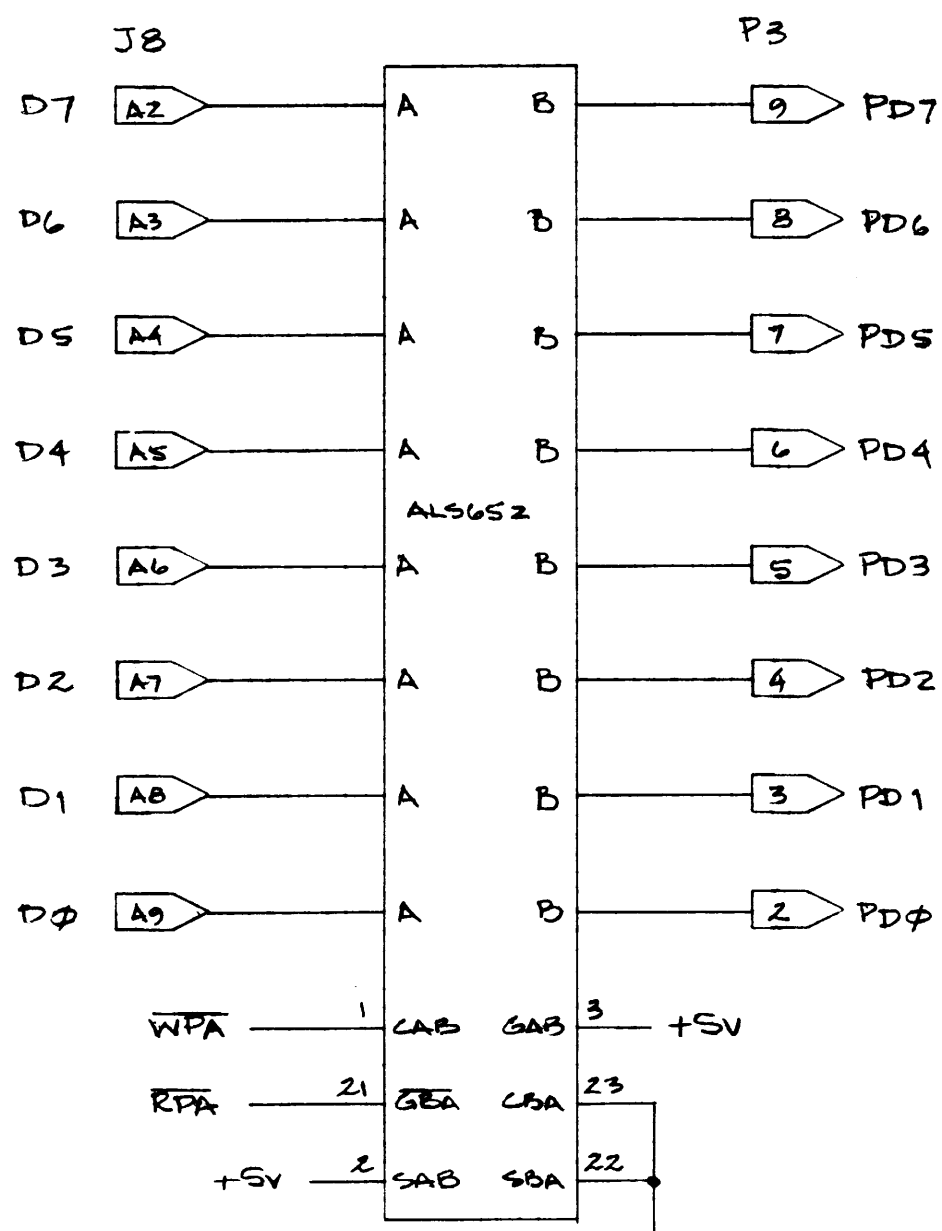


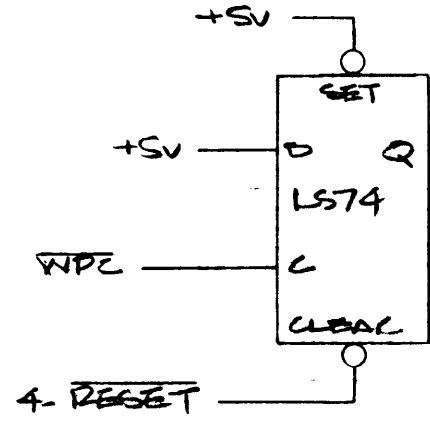
NOTE:  
BUBBLES  
DENOTE  
4.7KΩ PULL-  
UP RESISTORS



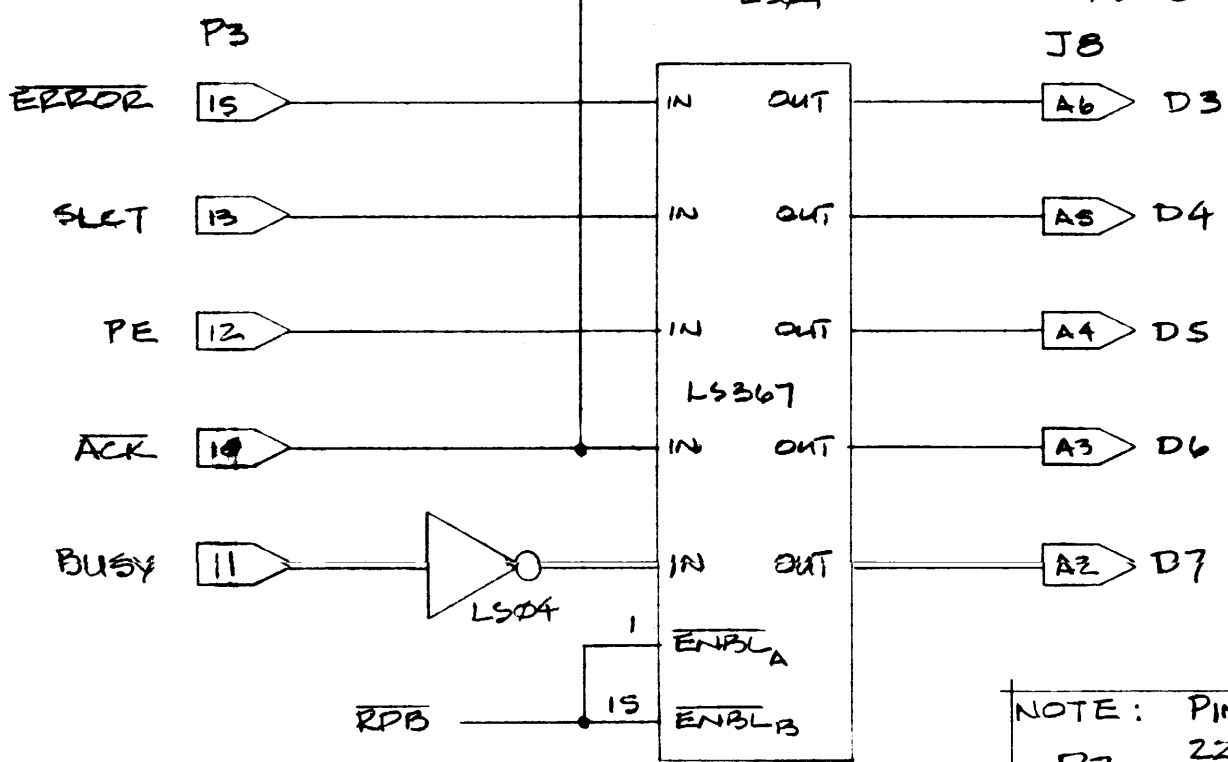




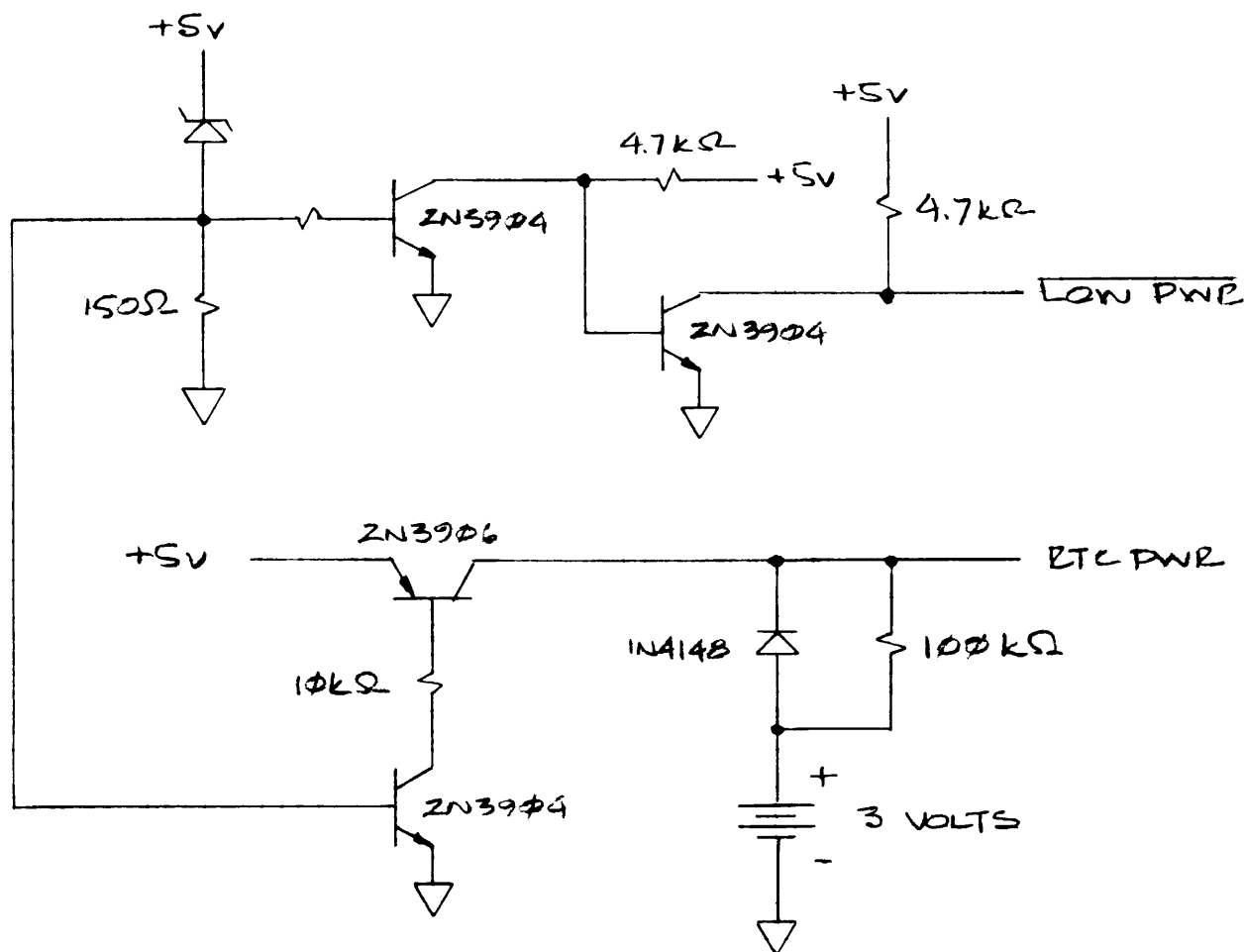
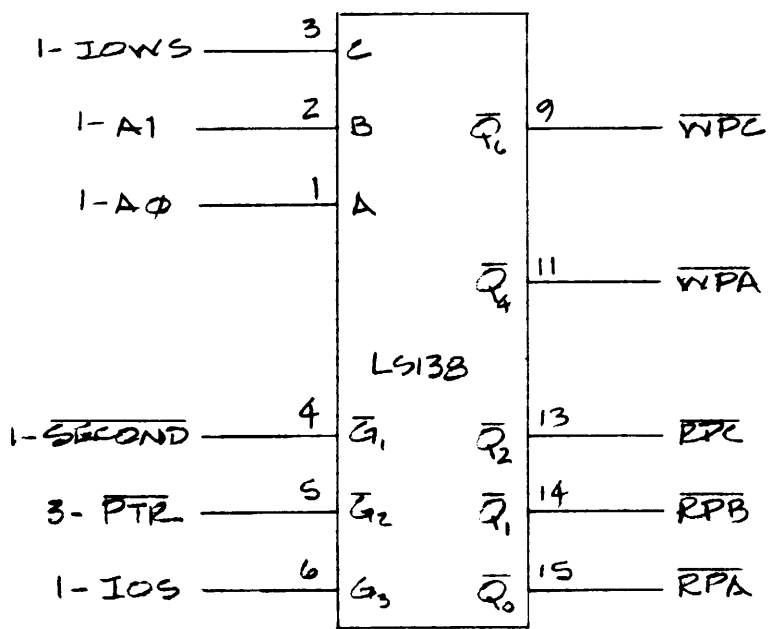
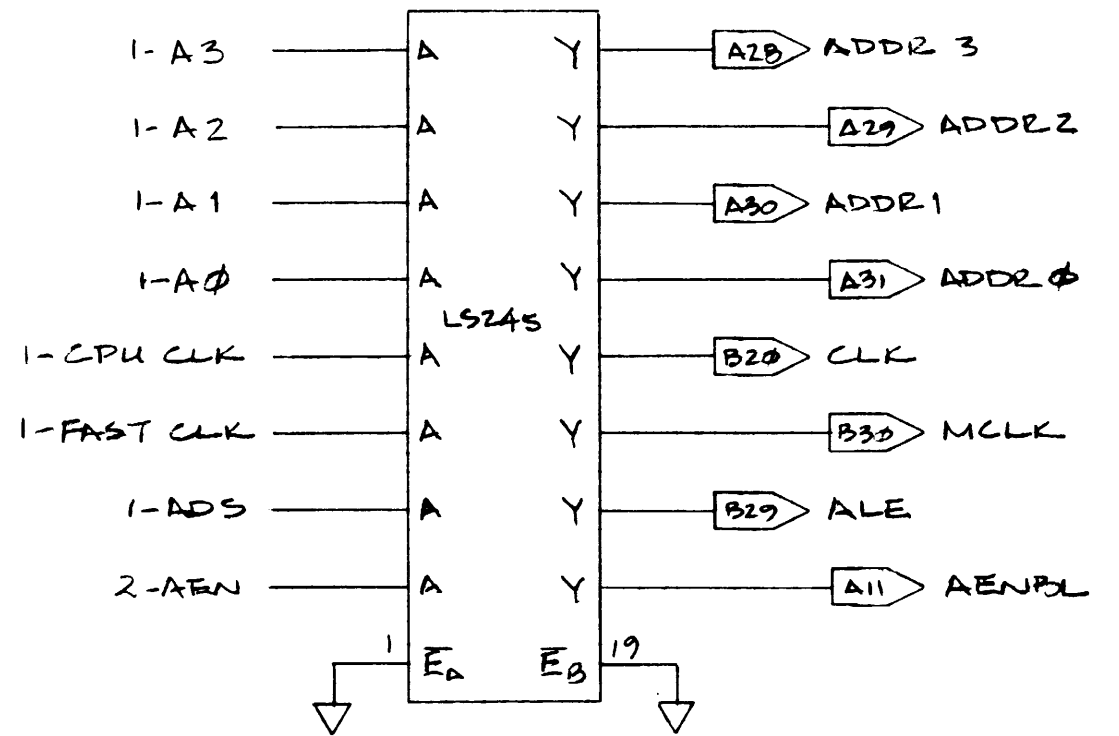
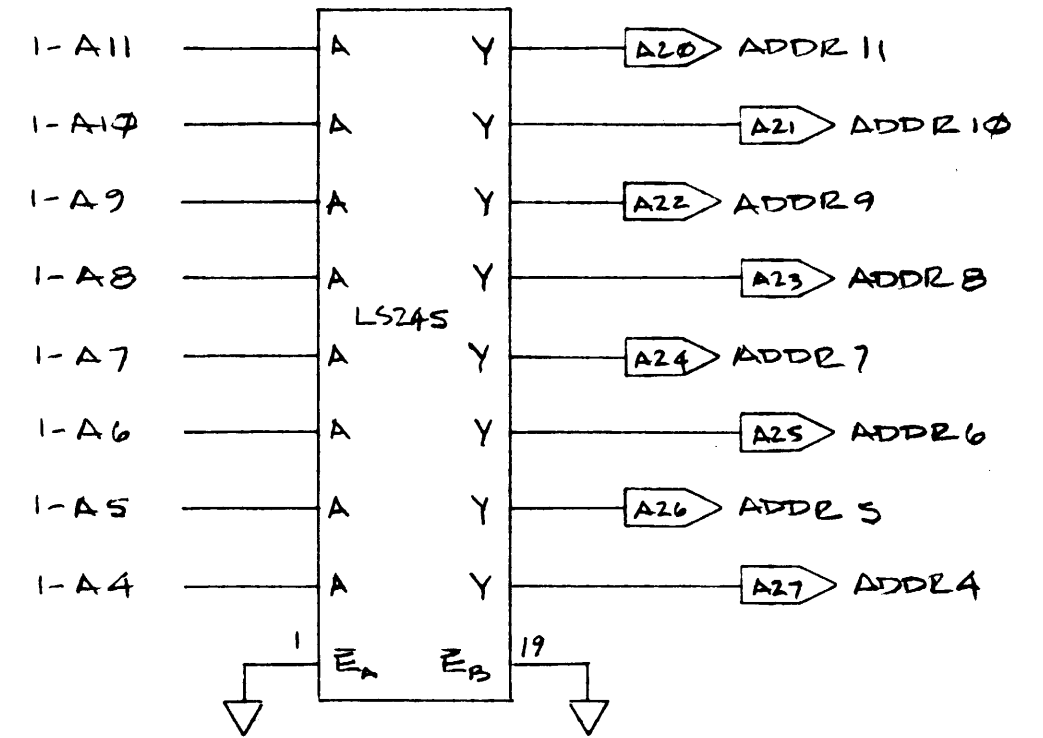
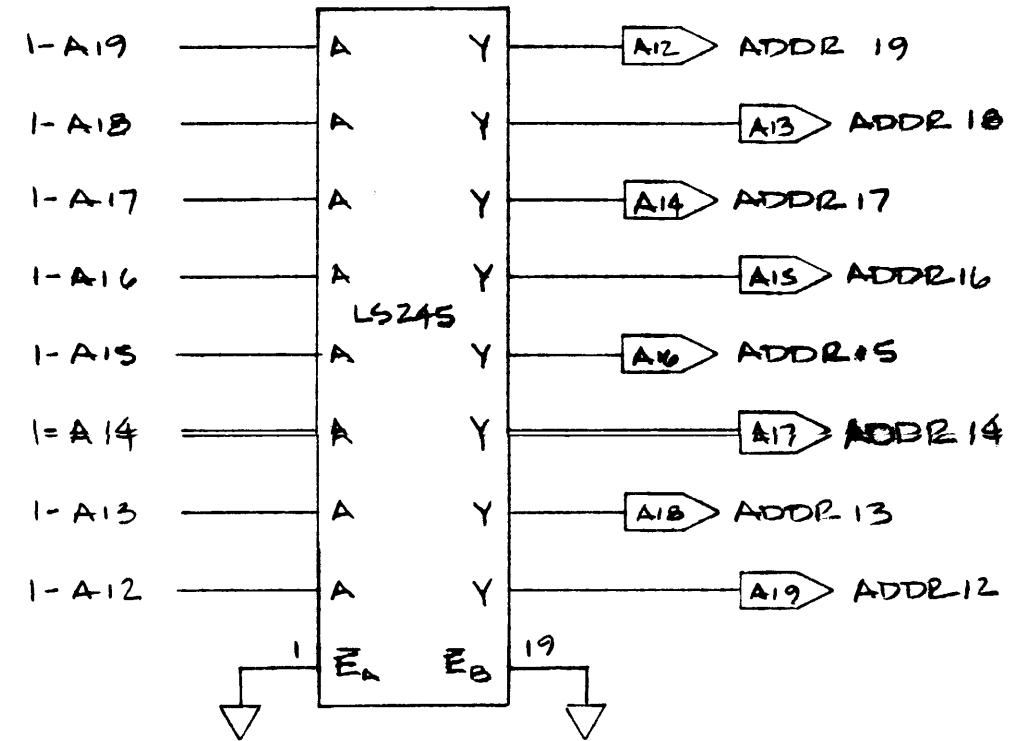
NOTE: BUBBLES DENOTE 10KΩ PULL-UP RESISTORS



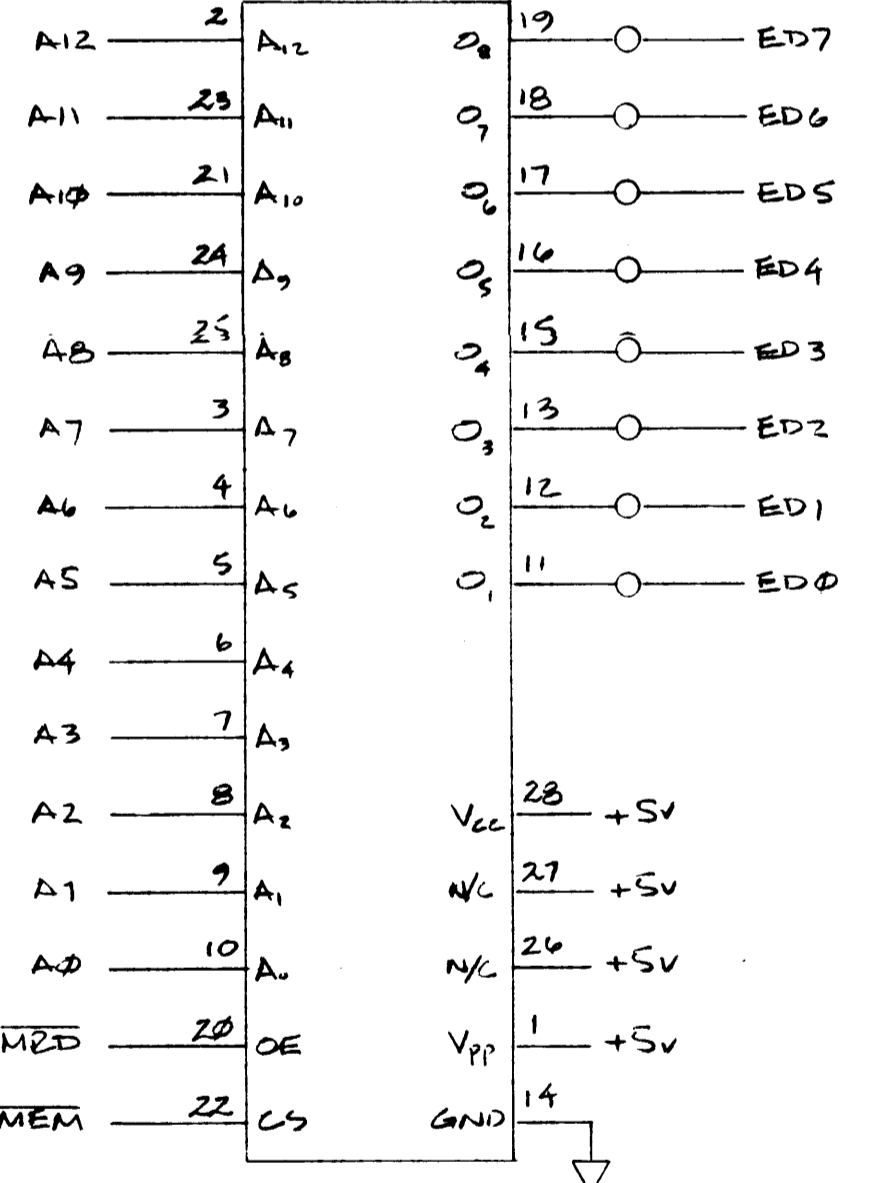
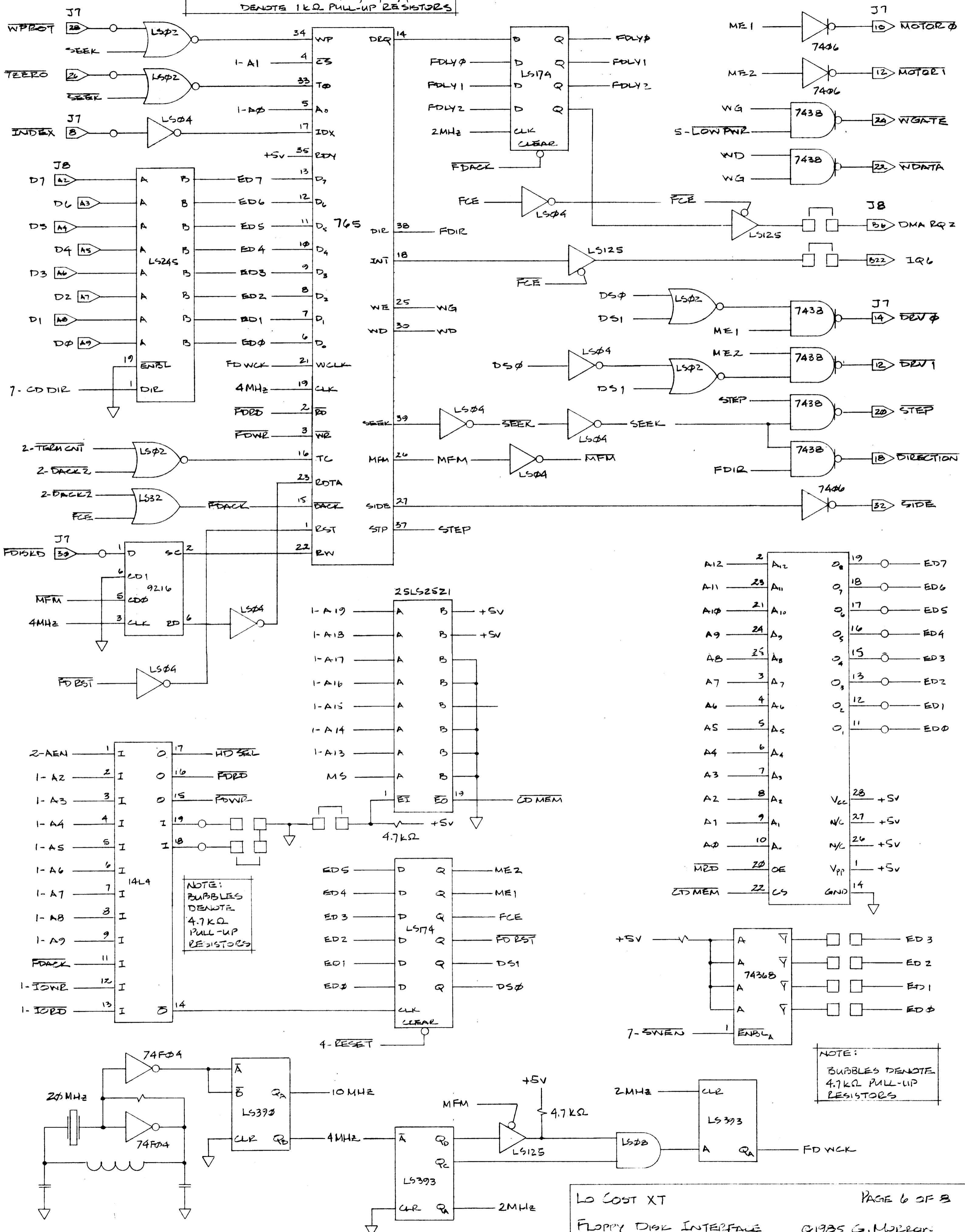
- 1-IO RB → B14 IO READ
- 1-MR B → B12 MEM RD
- 1-IOW B → B13 IO WRITE
- 1-MWR → B11 MEM WR



NOTE: PINS 18, 19, 20, 21, 22, 23, 24, & 25 ARE ALL GROUND

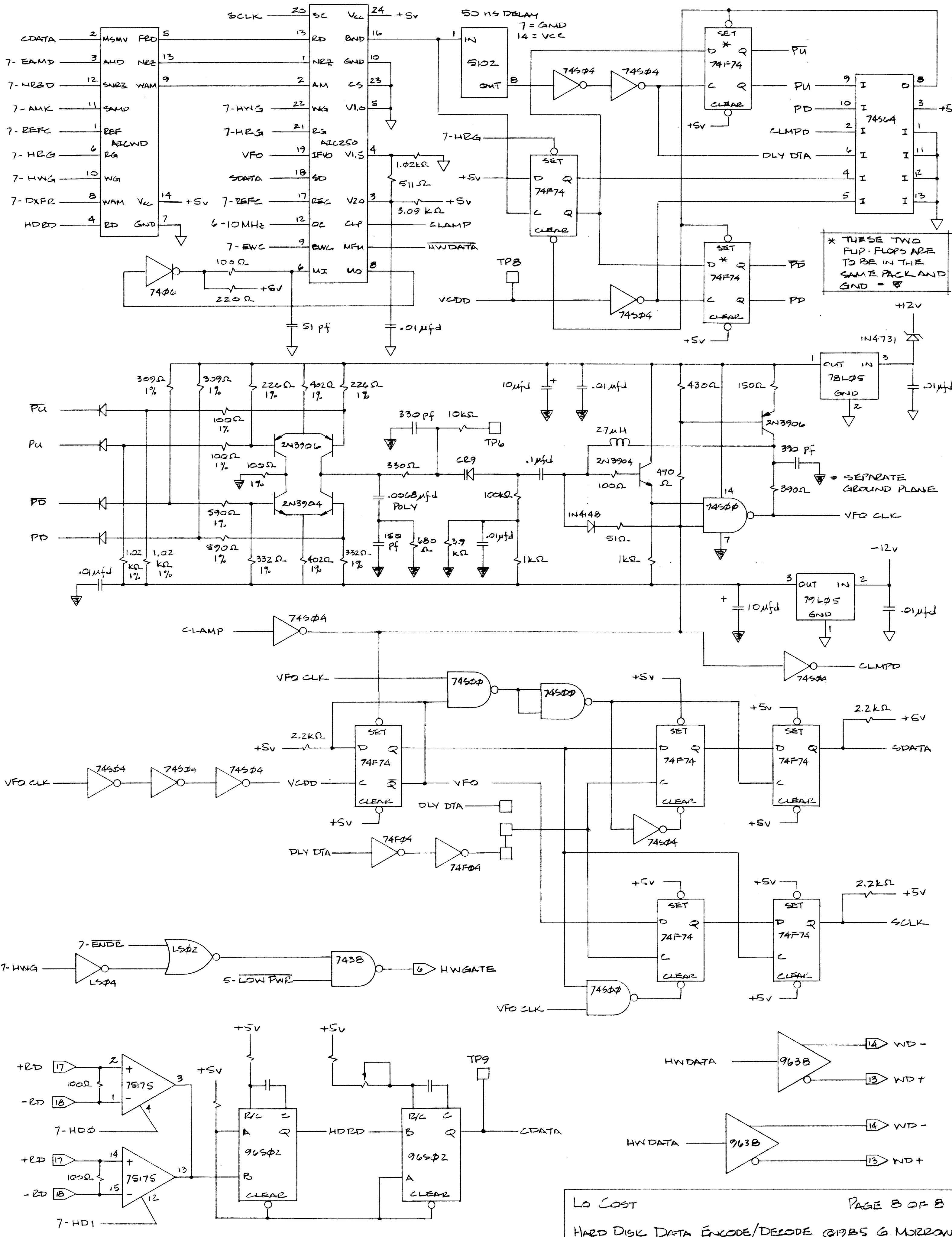


NOTE: BUBBLES AT J7, 8, 24, 28, & 30 DENOTE 1KΩ PULL-UP RESISTORS



NOTE: BUBBLES DENOTE 4.7KΩ PULL-UP RESISTORS





\* THESE TWO FLIP-FLOPS ARE TO BE IN THE SAME PACKAGE AND GND =

= SEPARATE GROUND PLANE