

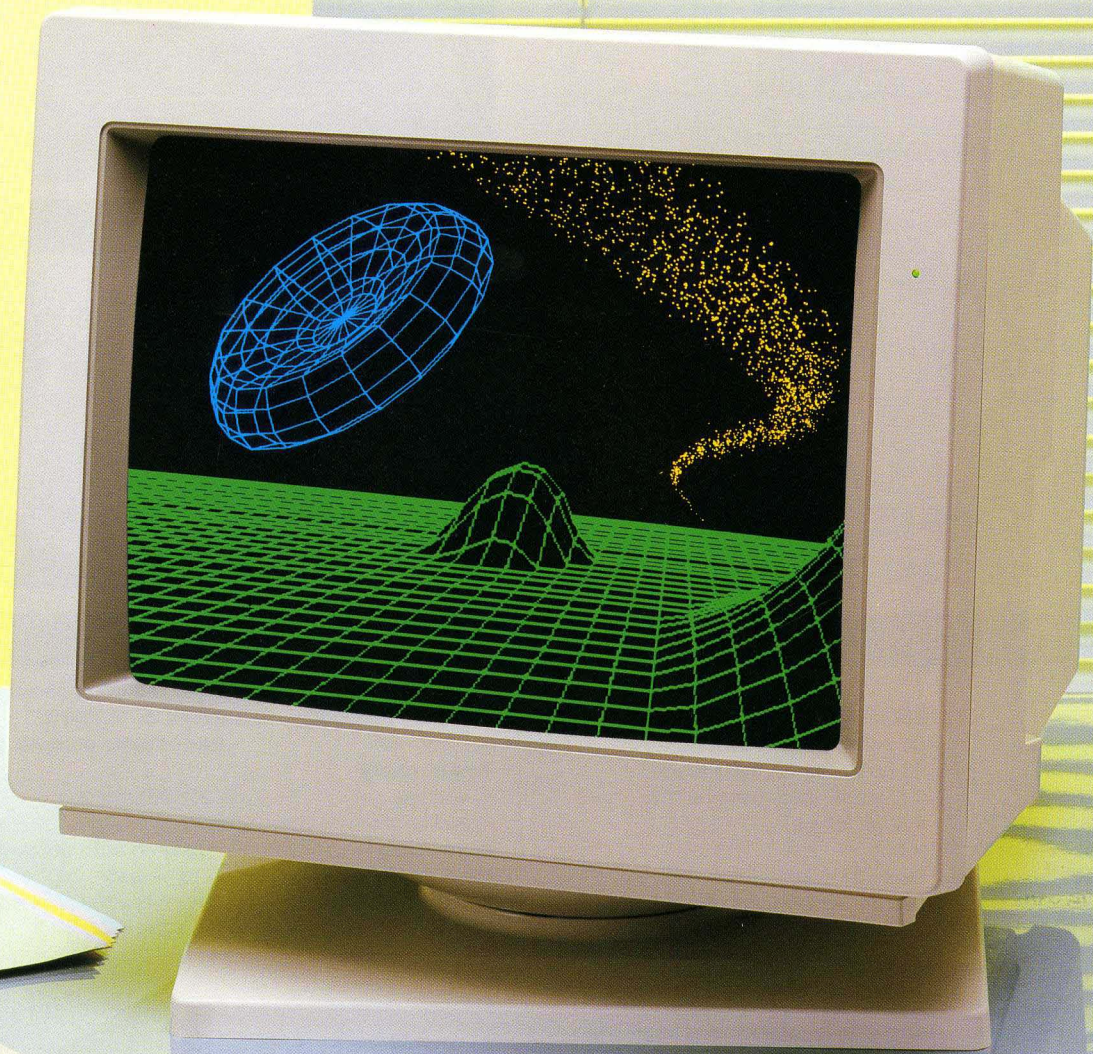


HIGH RESOLUTION
COLOR DISPLAY MONITOR

Model

XC-1410C

**SUITABLE FOR
ENHANCED GRAPHICS APPLICATIONS**

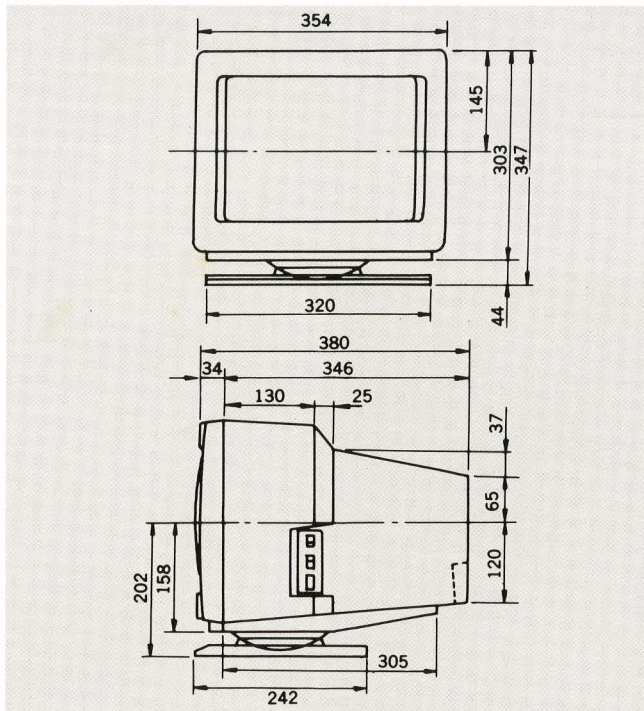


**DUAL-MODE RGB VIDEO INPUT
2000 CHARACTERS
0.4mm STRIPE PITCH
SUPER-HIGH CONTRAST CRT**

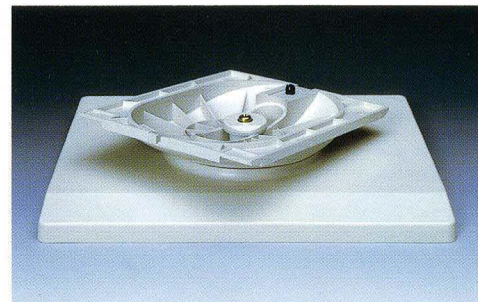
FEATURES

- **DESIGNED FOR ENHANCED BUSINESS GRAPHICS APPLICATIONS AND OFFICE AUTOMATION.**
- **DUAL HORIZONTAL SCANNING FREQUENCY** and **TTL RGB** input.
- **640 DOTS × 350 LINES** at 22kHz or **640 DOTS × 200 LINES** at 15.75kHz.
- **SUPER-HIGH CONTRAST COLOR CRTs**, a Mitsubishi "special" for crisp, clear, character and graphic displays.
- **MULTI-STEP FOCUS ELECTRON GUN** for the severe focusing requirements of high-density displays.
- **IN-LINE SELF-CONVERGENCE DESIGN** for small, highly reliable units with low power consumption.
- **EXCELLENT COST-PERFORMANCE** based on Mitsubishi's know-how in extending mass-production techniques, ensuring high quality and reliability.
- **COMPACT CHASSIS**
- **ADVANCED VIDEO AND DEFLECTION CIRCUITS** ensure stable, clear and brilliant images without distortion.
- Performance specifications can be tailored to customer requirements.

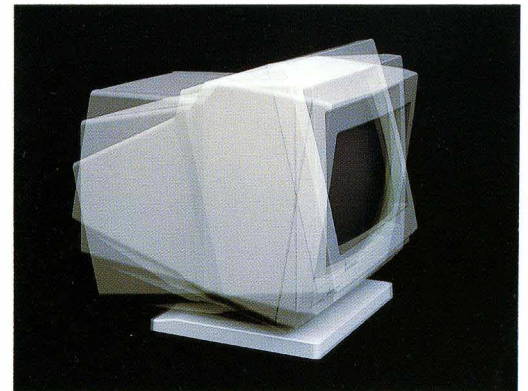
DIMENSIONS (mm)



TILT AND SWIVEL (OPTIONAL)



Model No.
XS-0001



SPECIFICATIONS

CRT

Display size	256 × 178mm
Display colors	64 colors in 22kHz mode 16 colors in 15.75kHz mode
Size, gun	14", multi-step focus, in-line
Mask pitch	0.4mm (stripe)
Phosphor	P22
Faceplate	Non-glare, super-high contrast
Resolution (H × V)	640 dots × 200 lines at 15.75kHz 640 dots × 350 lines at 22kHz

Input signal

Video	RGB TTL (pos.)
Separate sync. (HD)	TTL (pos.)
Separate sync. (VD)	TTL (350 lines: neg., 200 lines: pos.)

Input connector

9-pin D-shell (with cable)

Scanning frequency

22kHz or 15.75kHz
(self-adjusts on sync. polarity)

Power supply

Voltage 120V AC, 60Hz

Power consumption 80W

Degaussing

Power on auto degaussing

Tilt & Swivel base

-10° ~ +15°, 360° (option)

Dimensions (mm)

354 × 303 × 380 (W × H × D)

International standards

UL, CSA, FCC-B



MITSUBISHI ELECTRIC CORPORATION

HEAD OFFICE: MITSUBISHI DENKI BLDG., MARUNOUCHI, TOKYO 100. TELEX: J24532 CABLE: MELCO TOKYO