



ADM 42 Ergonomic Terminal™ Video Display Terminal Maintenance Manual Drawing Package

LEAR SIEGLER, INC.
DATA PRODUCTS DIVISION
714 NORTH BROOKHURST STREET, ANAHEIM, CALIFORNIA 92803

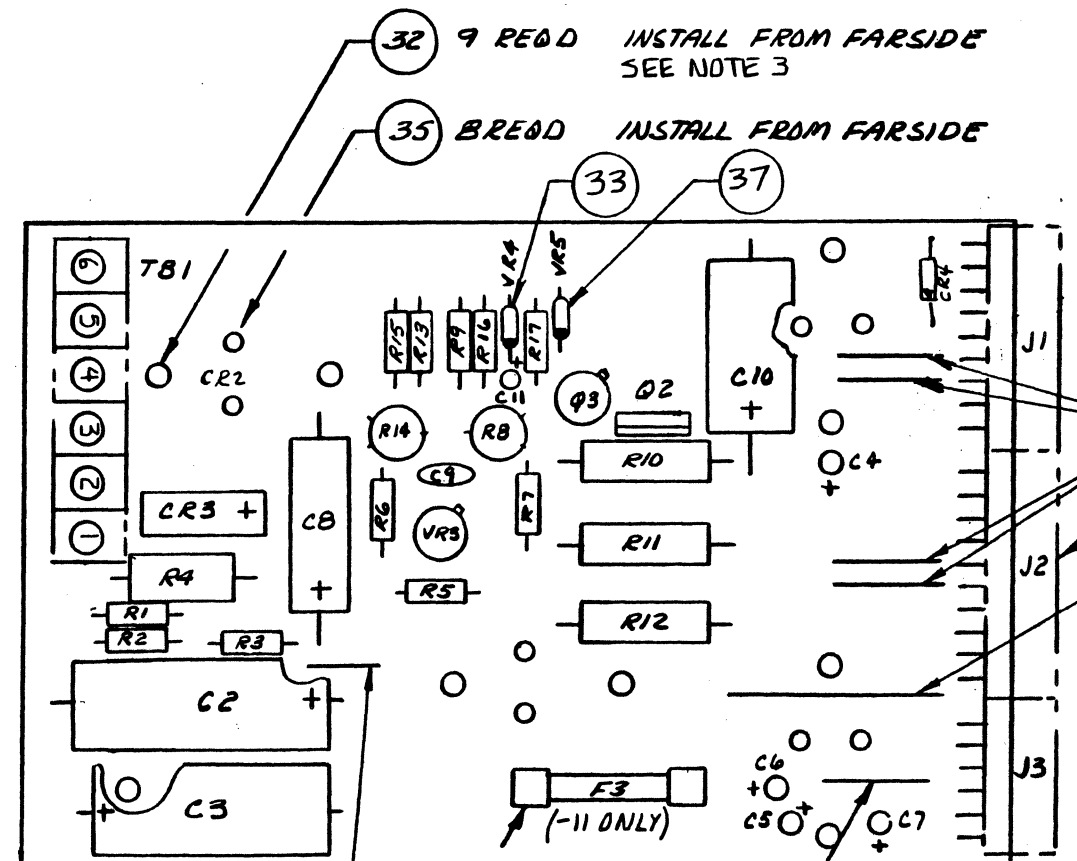
Contents

Power Supply P.C. Board Assembly	129731
Data Terminal Disply	129810
Logic Board Schematic.....	129813
Logic P.C. Board Assembly	129830
Configuration Control Switch Settings	CS-129830-7
Logic Board Schematic.....	129831
(Option) P.C. Board Assembly	129832
Option Board Schematic	129833
Keyboard P.C. Board Assembly	129834
Keyboard Schematic	129835
Terminal Control Unit	129840
Keyboard Assembly	129841
Monitor Assembly	129842
P.C. Board Assembly	131370
Configuration Control Switch Settings	CS131370
P.C. Board Assembly	131394

4 3 2 1

REVISIONS				
ZONE	LTR	DESCRIPTION	DATE	APPROVED
	A	CREATED -11 ASSY -9 REPLACD-5 REDRAWN WAS "C" SIZE D. GAL FOUR	4/23/77 4/24/78	J.H. Brown H. Zarnan
	C	INC DCN 1,2,3,4,5,6 INC DCN 581 & 868 BAB 6-18-80 SKIPPED REV B TO MATCH PL	7/1/80 7/1/80	D. Kelly F. Schaefer
	D	INC DCN 2194 ESC 4-23-81	4-23-81	J. Deul
	E	INCOEP DCN #2612 SC 7-27-81	7-23-81 7-27-81	J. Deul G. Miller

D
C
B
A



(32) 9 REQD INSTALL FROM FAR SIDE SEE NOTE 3
 (35) BREED INSTALL FROM FAR SIDE
 (33) (37)

22 AWG UNINSULATED, F/N 36
 -11 ONLY
 (47) 22 AWG SOLID, INSULATED.
 2 INCH LONG, 1/4" STRIP BOTH ENDS.

- NOTE:
- FOR SCHEMATIC SEE DWG 129730, SH2.
 - COMPONENT LEADS (EXCEPT BARRIER STRIP) SHALL NOT EXTEND MORE THAN .050 FROM BOTTOM SURFACE OF P.C. BOARD.
 - SOLDER ALL STANDOFFS, F/N 32, TO MOUNTING PAD. HEAT STANDOFF & BOARD TRACE UNTILL SOLDER WICKS UNDER STANDOFF FORMING A SMALL FILET AROUND STANDOFF.

129731-11 ASSY (NOTED)
 129731-21 ASSY

(30) 2 REQD (-11 ONLY)
 (45) 26 AWG UNINSULATED

(36) 22 AWG UNINSULATED

SEE SEPARATE PARTS LIST PL 129731

DASH NO.	NEXT ASSY	USED ON
-21	129730-21	DL 129700
-11	129730-11	DL 129700
-1	129730-1	DL 129700
APPLICATION		

UNLESS OTHERWISE SPECIFIED
 DIM. IN INCHES
 TOLERANCES
 X ± .1
 XX ± .03
 XXX ± .010
 ANGLES ± 0.5°
 MACH. FIN.

CONTR NO.	DR W. KELLY 6-29-77
CHK	
DSGN	
ENGR	
PROJ. D. H. THOMPSON 8-1-77	
REL W. TURNER 8-1-77	
APPD	
APPD	

LEAR SIEGLER, INC. ELECTRONIC INSTRUMENTATION DIVISION ANAHEIM, CALIFORNIA 92803			
P.C. BOARD ASSY - POWER SUPPLY			
SIZE	CODE IDENT NO.	DWG NO.	LTR
B	98438	129731	E
SCALE			SHEET 1 OF 2

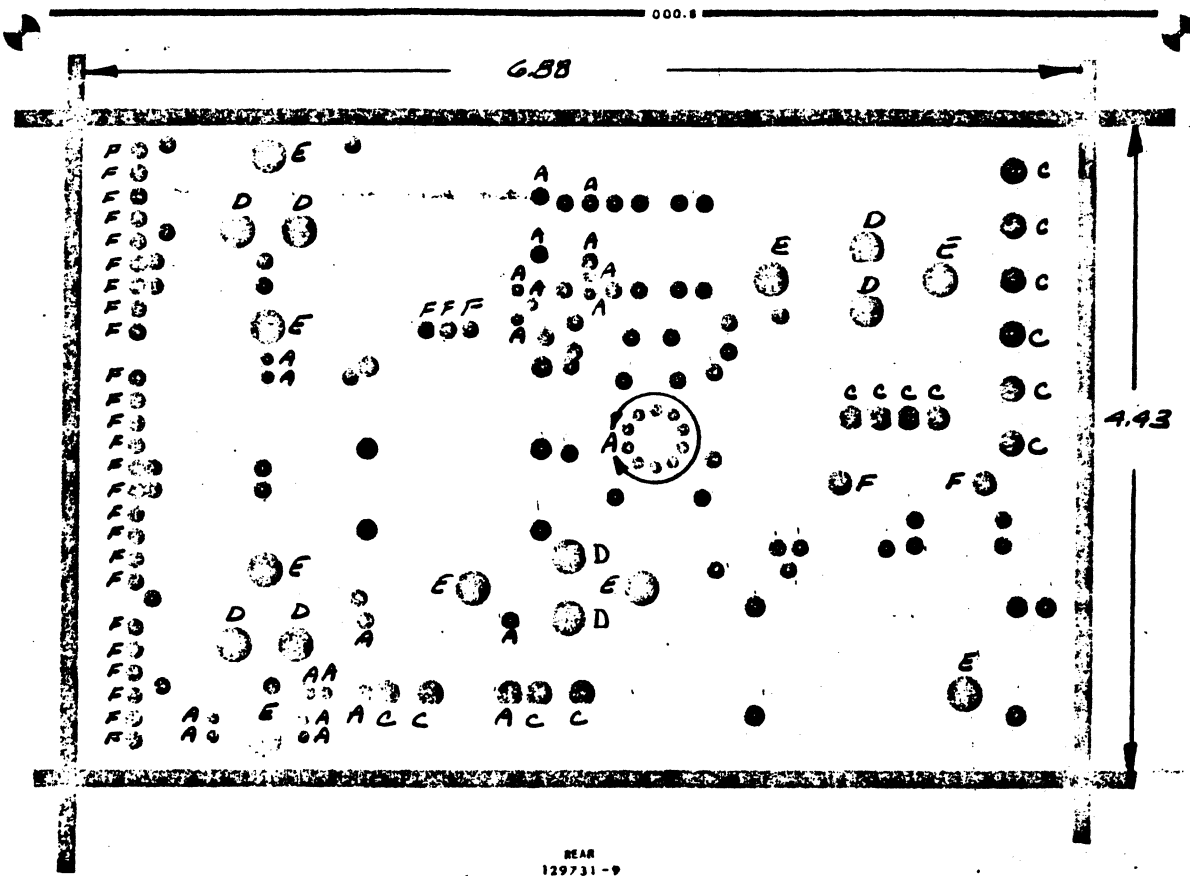
4 3 2 1

4

3

2

1



NOTE:

1. MATERIAL: .062 EPOXY GLASS FR-4
2 OZ COPPER, ONE SIDE.
2. SOLDER COAT
3. FABRICATION & WORKMANSHIP PER IPC-A-600
AND UL SPEC 796.
4. MANUFACTURER SHALL BE UL APPROVED.
5. HOLE REQUIREMENTS

SYMBOL	DIAMETER		QTY
	MIN	MAX	
A	.085	.042	31
B (UNMARKED)	.052	.060	59
C	.072	.080	14
D	.089	.095	8
E	.140	.146	9
F	.062	.070	30

6. APPLY SOLDER MASK TO CIRCUIT SIDE (REAR)
SEE 129317 FOR REQUIREMENTS

SIZE	COEFFICIENT	DWG NO.	REF
B	98438	129731	E
SCALE	SHEET 2		

4

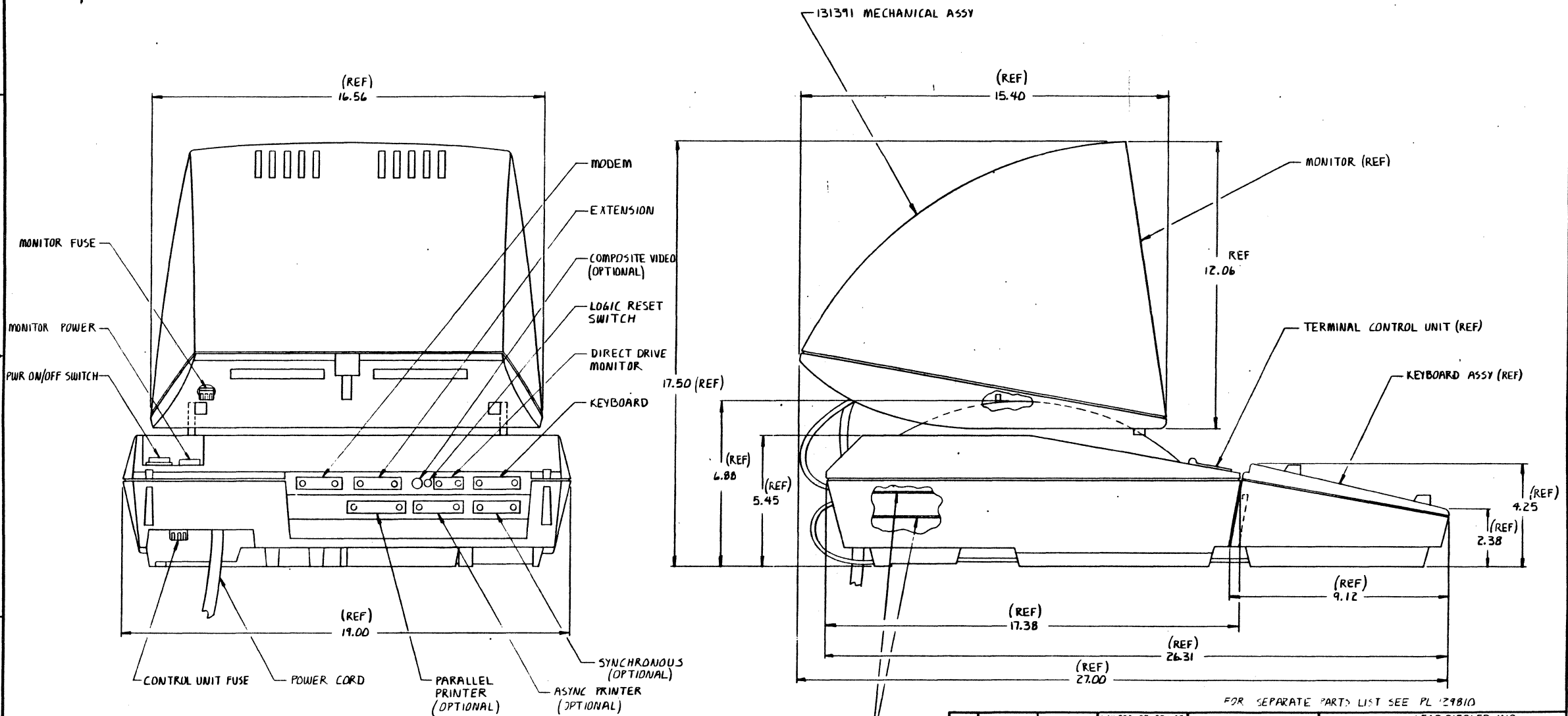
3

2

1

REVISIONS					
SHT	ZONE	LTR	DESCRIPTION	DATE	APPROVED
		G	REDRAWN 1957	REVISED PER DCN 8m 9/15/60	7 25 70 10/10/61 C. G. ...

D
C
B
A



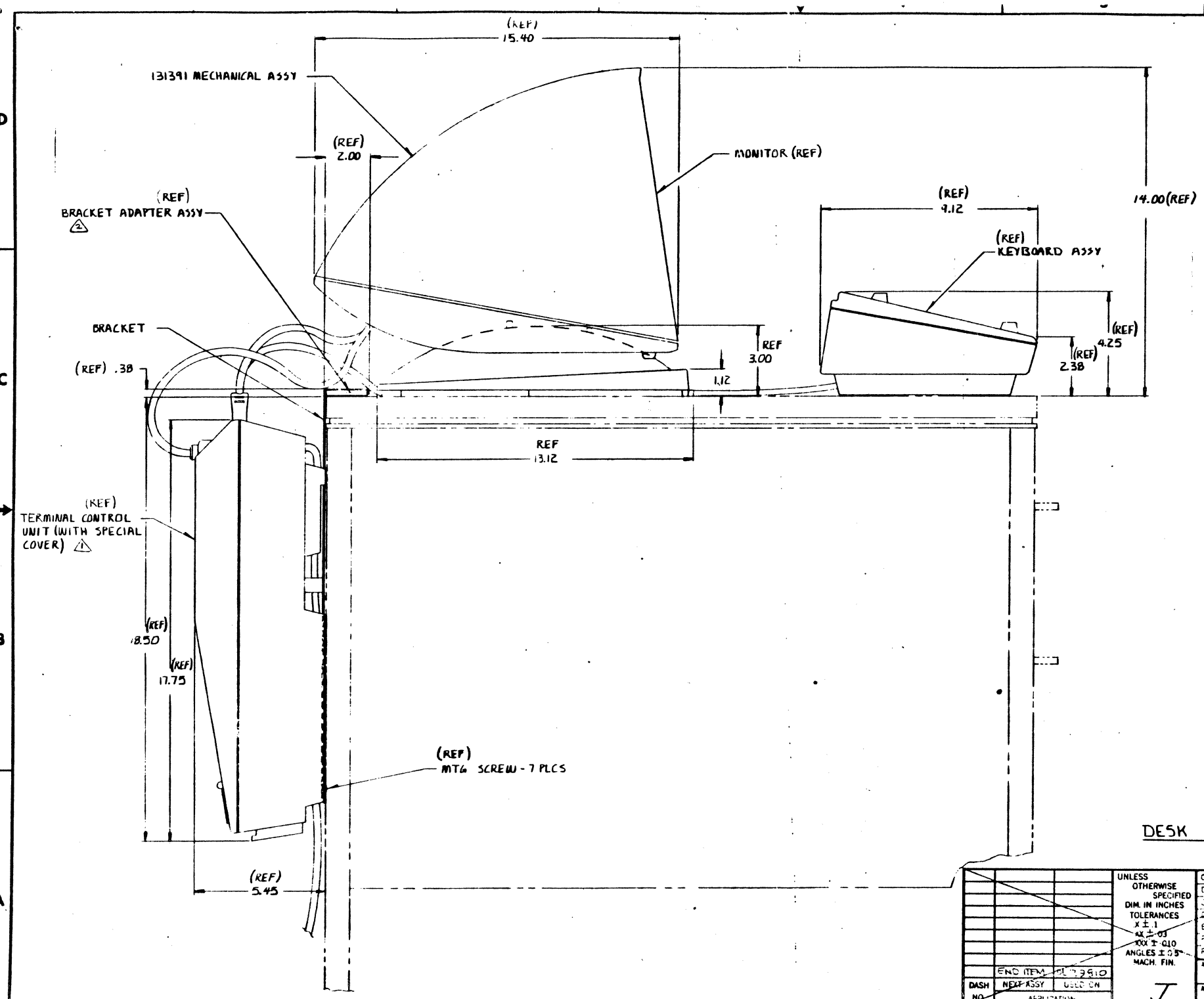
131390 LOGIC BD. CONFIGURATION

STANDARD TERMINAL

FOR SEPARATE PARTS LIST SEE PL 21810

2 KIT TO CONTAIN BRACKET, BRACKET ADAPTER ASSY, HARDWARE MOUNTING INSTRUCTIONS. SEE SH 2.
 TERMINAL CONTROL UNIT MOUNTING TO BE DONE BY CUSTOMER WITH KIT SUPPLIED BY LSI. SEE SH 2.
 NOTES UNLESS OTHERWISE SPECIFIED.

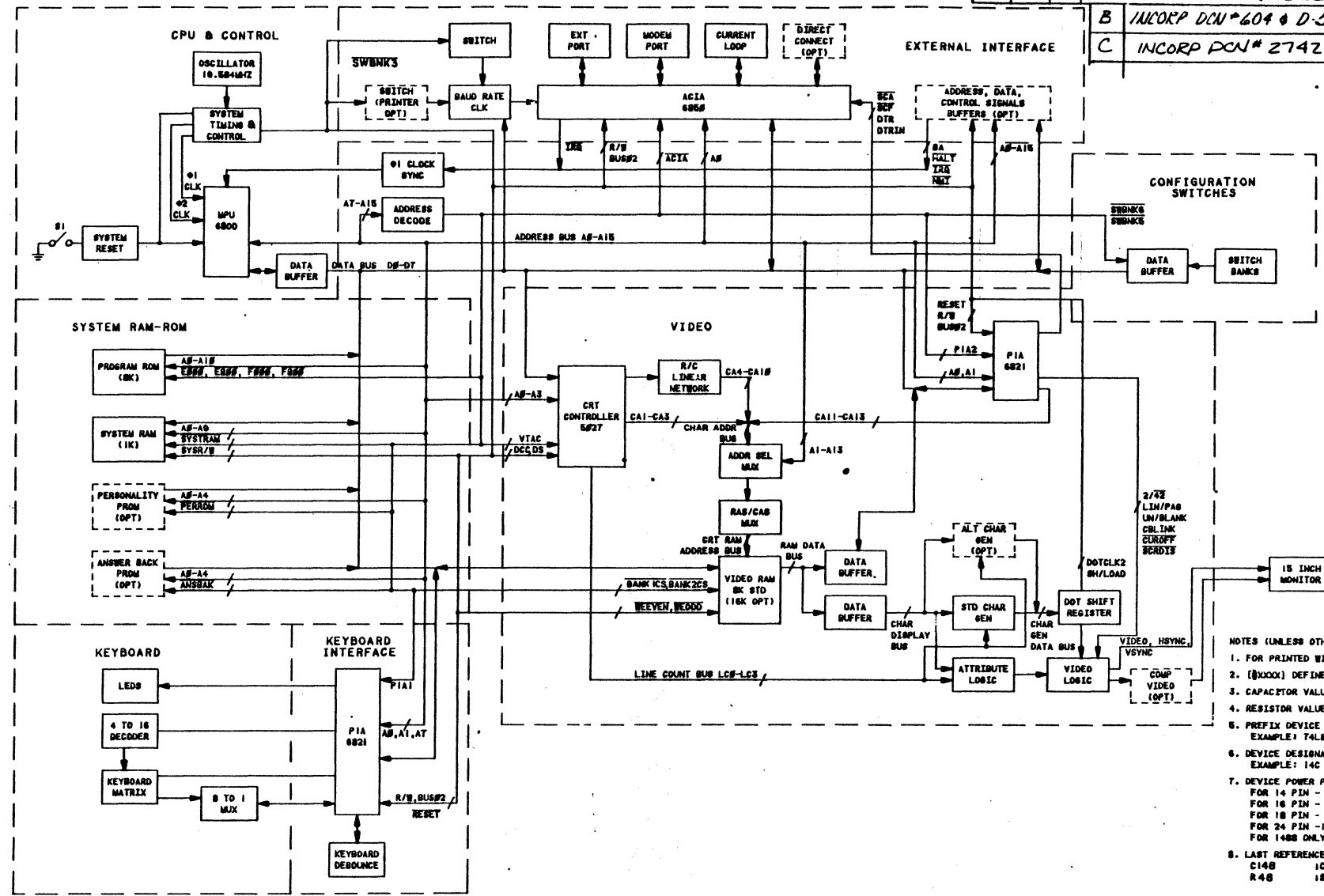
UNLESS OTHERWISE SPECIFIED DIM IN INCHES TOLERANCES X2 1 XX 0.3 XXX 0.10 ANGLES ±0.5°		CONTR NO DATE CHK BY ESN ENGR APP'D REV	LEAR SIEGLER, INC. DATA PRODUCTS DIVISION 34000 CALIFORNIA 37801
DASH NO	NEXT ASSY USED IN APPLICATION	ADM 42 DATA TERMINAL	
PROPRIETARY LEGEND EXCEPT AS MAY BE OTHERWISE AUTHORIZED BY CONTRACT THESE DRAWINGS AND SPECIFICATIONS ARE THE PROPERTY OF LEAR SIEGLER, INC. AND ARE ISSUED IN STRICT CONFIDENCE AND SHALL NOT BE REPRODUCED COPIED OR USED FOR THE MANUFACTURE OR SALE OF THE APPARATUS WITHOUT WRITTEN PERMISSION.		SIZE D	FIG. NO 98438
		DWG NO 21810	LTR G
		SCALE	SHEET OF 2



DESK MOUNT TERMINAL

UNLESS OTHERWISE SPECIFIED DIM. IN INCHES TOLERANCES X ± .1 XX ± .03 XXX ± .010 ANGLES ± 0.5 MACH. FIN.		CONTR. NO. DR CHK DWGN ENGR PRJG REL	<p>LEAR SIEGLER, INC ELECTRONIC INSTRUMENTATION DIVISION ANAHEIM, CALIFORNIA 92803</p> <p>ADM 42 DATA TERMINAL</p>	SIZE D	CODE IDENT 98438	DWG NO. 129810	LTR 3
END ITEM DASH NO.	PL 9910 NEXT ASSY USED ON	APPD		SCALE 1/2"	SHEET		

REVISIONS					
SHT	ZONE	LTR	DESCRIPTION	DATE	APPROVED
		A	RELEASE PER DCN 520	11-1-74	[Signature]
		B	INCORP DCN # 604 & D-560	11-15-74	[Signature]
		C	INCORP DCN # 274Z	12-15-74	[Signature]



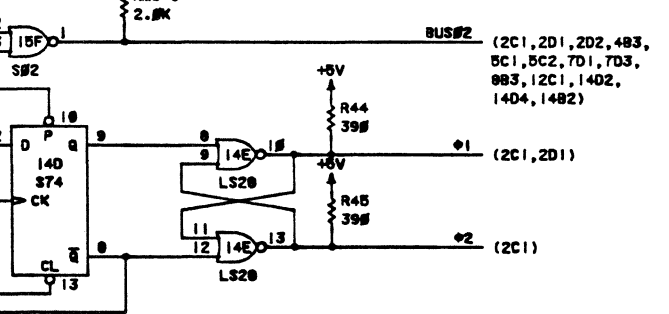
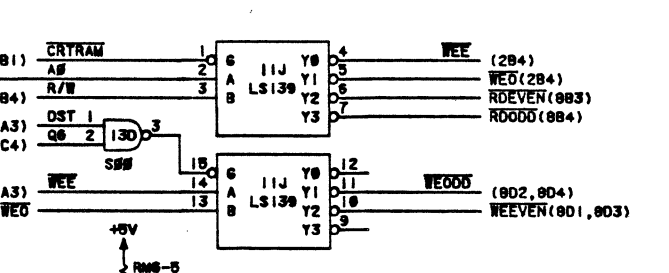
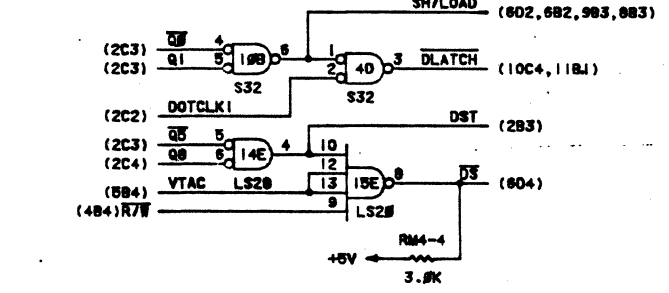
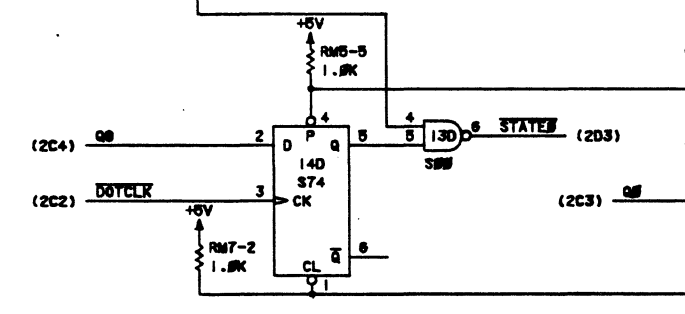
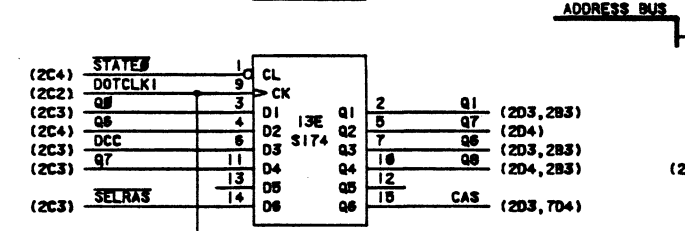
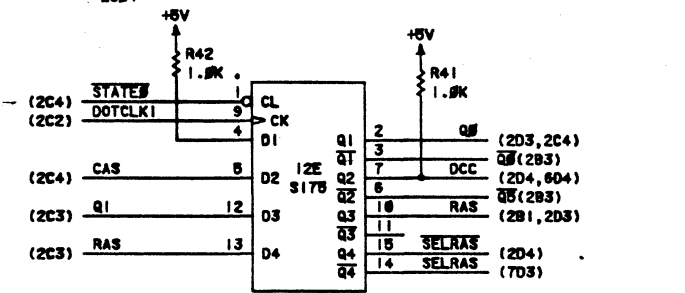
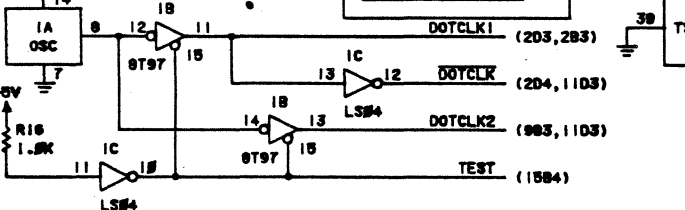
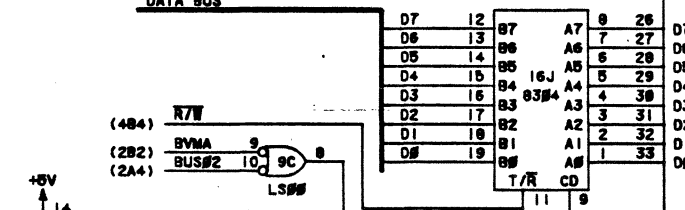
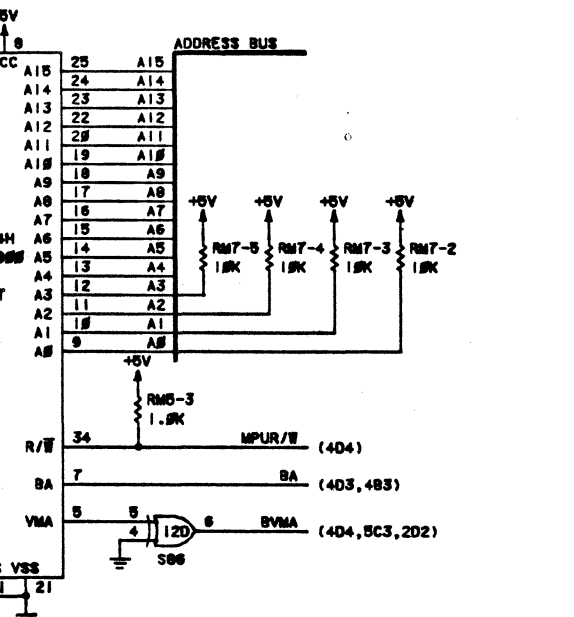
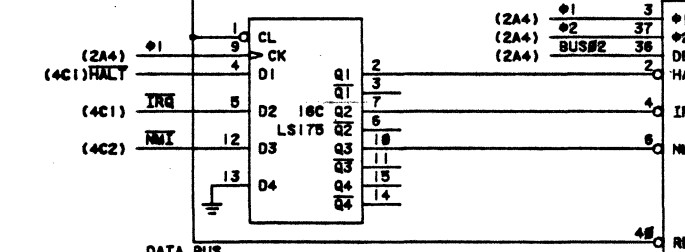
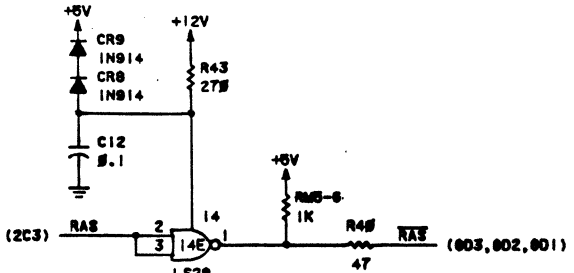
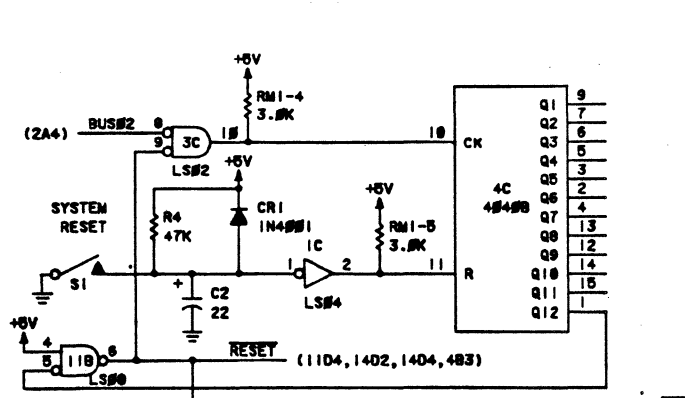
- NOTES (UNLESS OTHERWISE SPECIFIED):
- FOR PRINTED WIRING BOARD 120012-5, ASSY 131370.
 - [XXXX] DEFINES HEXIDECIMAL ADDRESS.
 - CAPACITOR VALUES ARE IN MICROFARADS.
 - RESISTOR VALUES ARE IN OHMS, 5%, 1/4 W.
 - PREFIX DEVICE TYPE WITH 74. EXAMPLE: 74LS161
 - DEVICE DESIGNATION INDICATES LOCATION. EXAMPLE: 14C
 - DEVICE POWER PINS ARE:
 - FOR 14 PIN - 7(GND), 14(+5)
 - FOR 16 PIN - 8(GND), 16(+5)
 - FOR 18 PIN - 9(GND), 18(+5)
 - FOR 24 PIN - 12(GND), 24(+5)
 - FOR 1488 ONLY - 7(GND), -1(-12), 14(+12).
 - LAST REFERENCE DESIGNATION USED:

C148	1CR9	1J8	1K10
R48	1B7	1VR1	1Y1

UNLESS OTHERWISE SPECIFIED: DIM. IN INCHES TOLERANCES: X ± .1 .XX ± .03 .XXX ± .010 ANGLES ± 0.5°		CONTR NO. DR <i>CO. Kelly</i> 1-1-80 CHK DSGN ENGR <i>R. D. ...</i> 2-1-80 PROJ <i>...</i> 2-1-80 REL <i>...</i> 5/18/80	 LEAR SIEGLER, INC. DATA PRODUCTS DIVISION ANAHEIM, CALIFORNIA 92803 SCHEMATIC, LOGIC BOARD ADM-42
DASH NO. <i>131370</i>	NEXT ASSY <i>DL129810</i>	USED ON	
APPLICATION		APPD	SIZE C
PROPRIETARY LEGEND EXCEPT AS MAY BE OTHERWISE AUTHORIZED BY CONTRACT, THESE DRAWINGS AND SPECIFICATIONS ARE THE PROPERTY OF LEAR SIEGLER, INC., ARE ISSUED IN STRICT CONFIDENCE, AND SHALL NOT BE REPRODUCED, COPIED, OR USED FOR THE MANUFACTURE OR SALE OF THE APPARATUS WITHOUT WRITTEN PERMISSION.		APPD	FSCM NO. 98438
			ENG NO. 129813
			SCALE NONE
			SHEET 1 OF 16

REVISIONS	DESCRIPTION	DATE	APPROVED

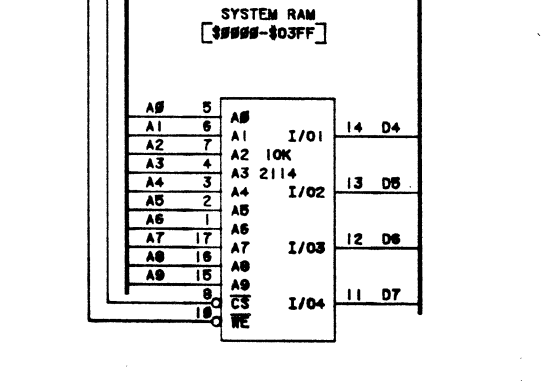
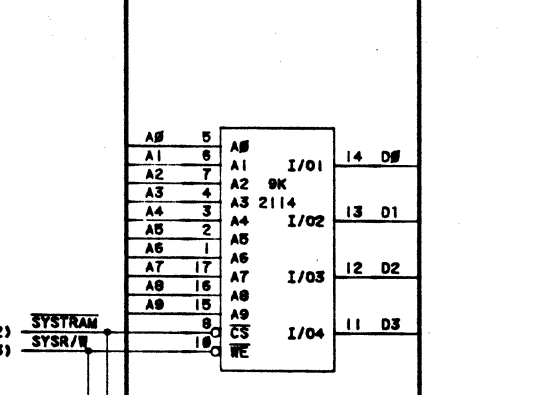
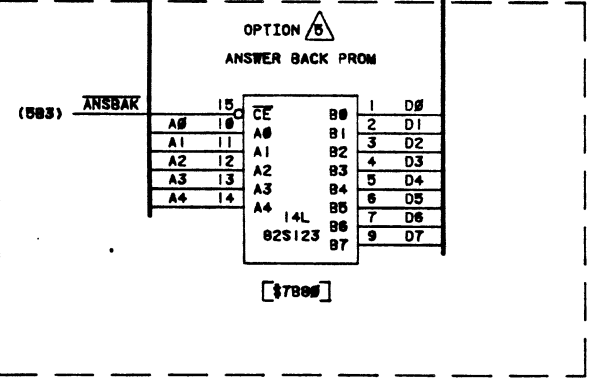
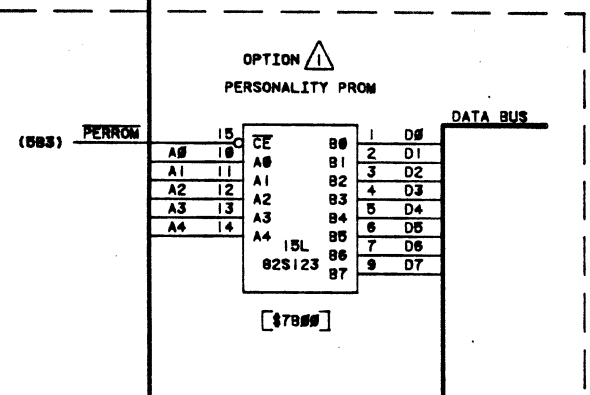
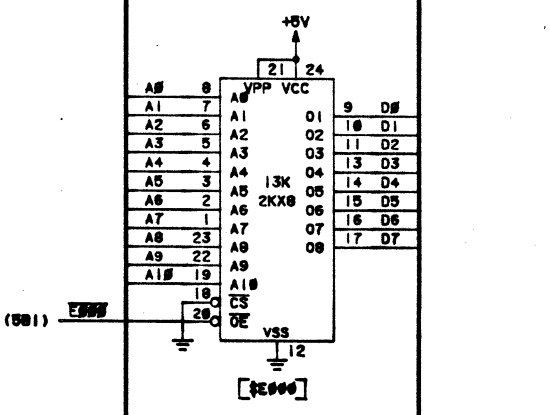
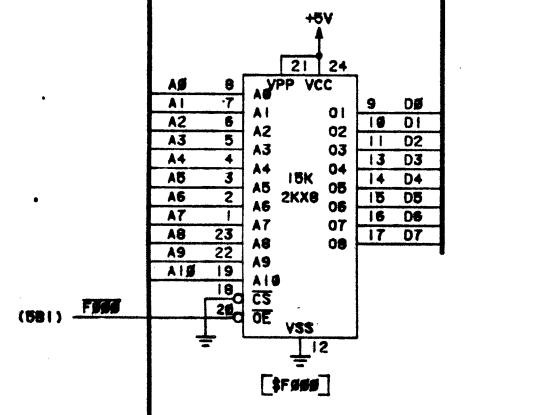
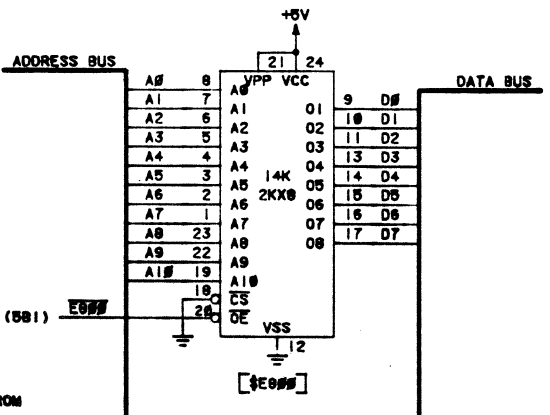
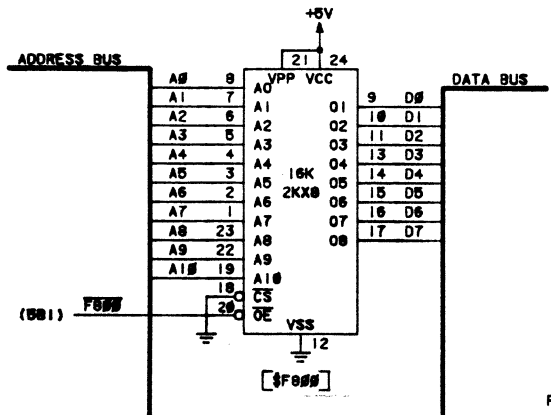
SHT	ZONE	LTR



LTR
 C
 129813
 DWG NO.
 98438
 FSCM NO.
 C
 SIZE
 SCALE
 NONE
 SHEET 2

PROPRIETARY LEGEND
 EXCEPT AS MAY BE OTHERWISE AUTHORIZED BY CONTRACT THESE
 DRAWINGS AND SPECIFICATIONS ARE THE PROPERTY OF LEAR SEGLER
 INC. ARE ISSUED IN STRICT CONFIDENCE, AND SHALL NOT BE
 REPRODUCED, COPIED, OR USED IN ANY MANNER WITHOUT THE
 WRITTEN PERMISSION OF LEAR SEGLER INC.

REV	ZONE	LTR	DESCRIPTION	DATE	APPROVED



LTR C
 DWG NO. 129813
 FSCM NO. 98438
 SIZE C
 SCALE NONE
 SHEET 3

PROPRIETARY LEGEND
 EXCEPT AS MAY BE OTHERWISE AUTHORIZED BY CONTRACT THESE
 DRAWINGS ARE NOT TO BE REPRODUCED, COPIED, OR USED FOR THE MANUFACTURE OR SALE OF
 THE APPARATUS WITHOUT WRITTEN PERMISSION.

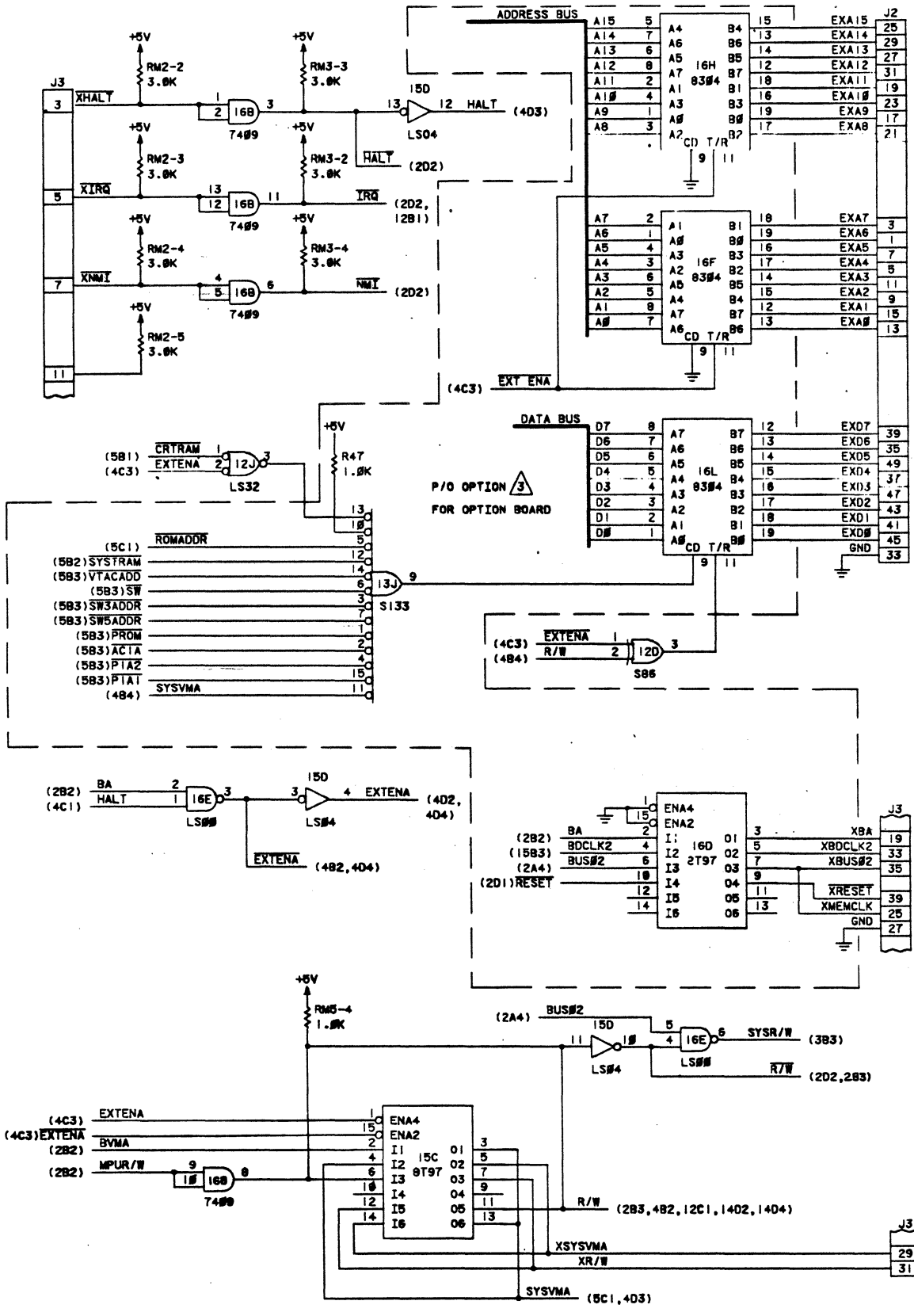
D

C

↑

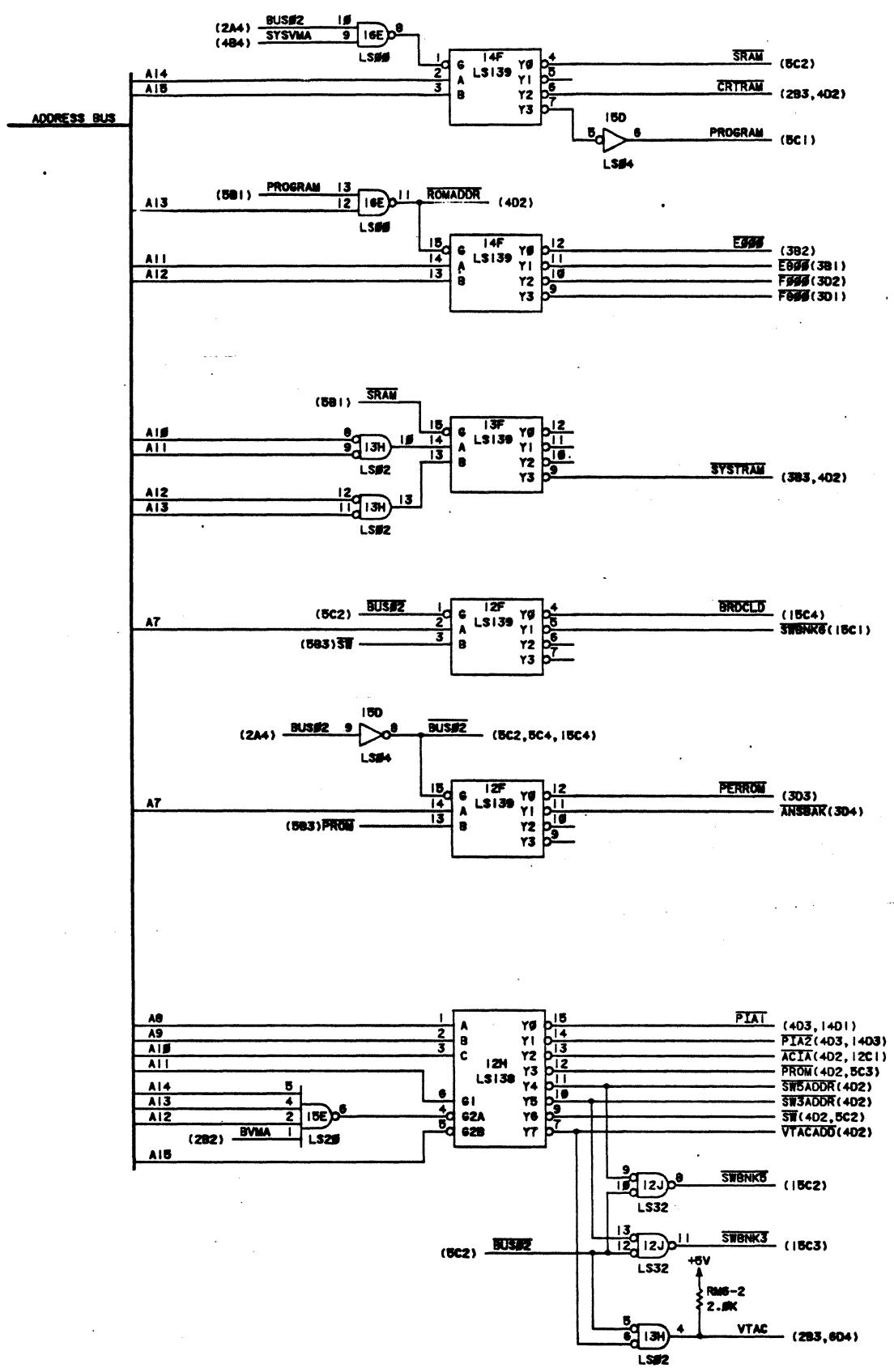
B

A

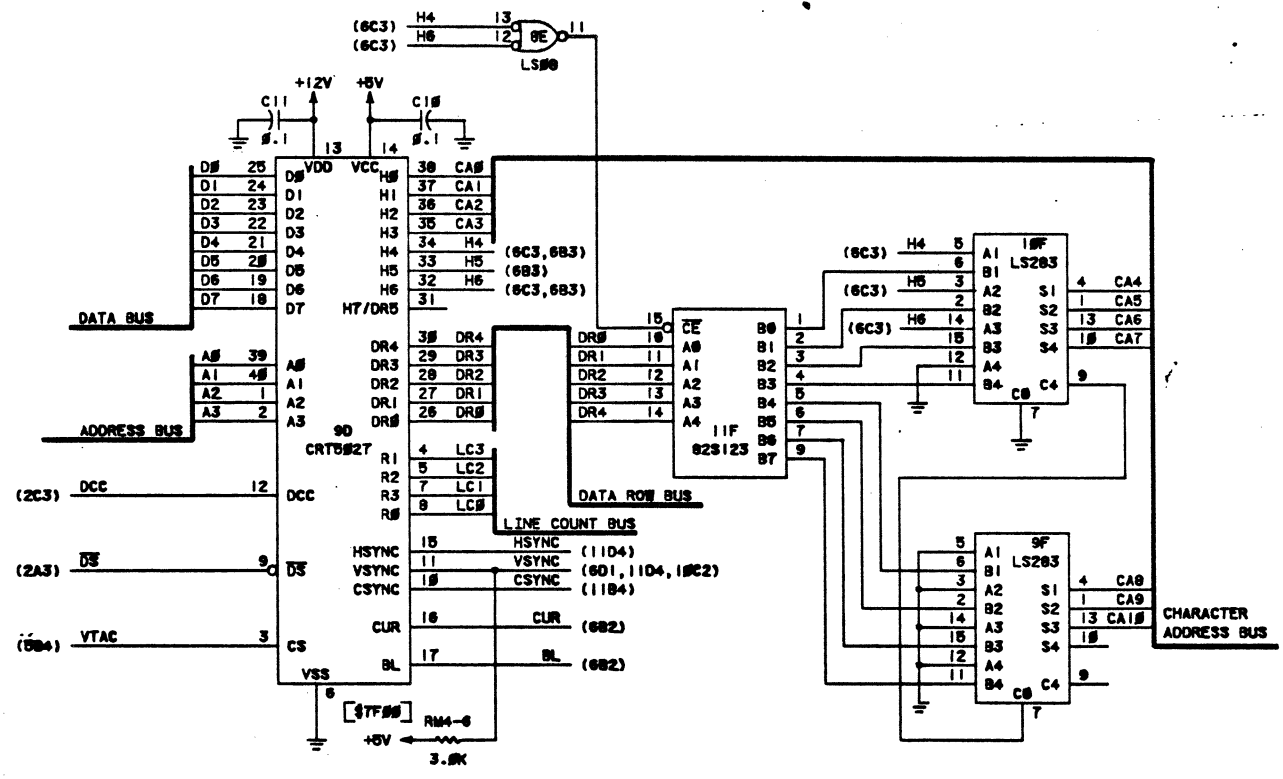
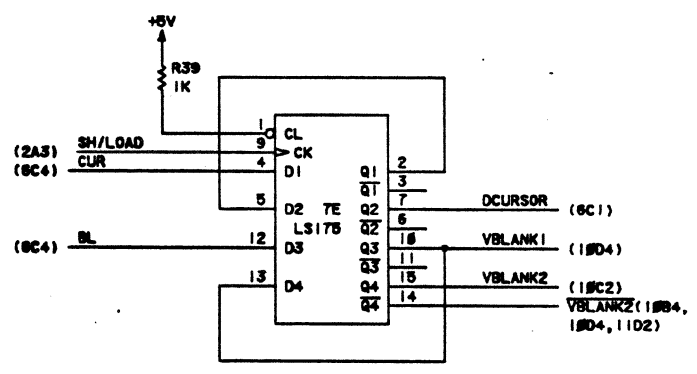
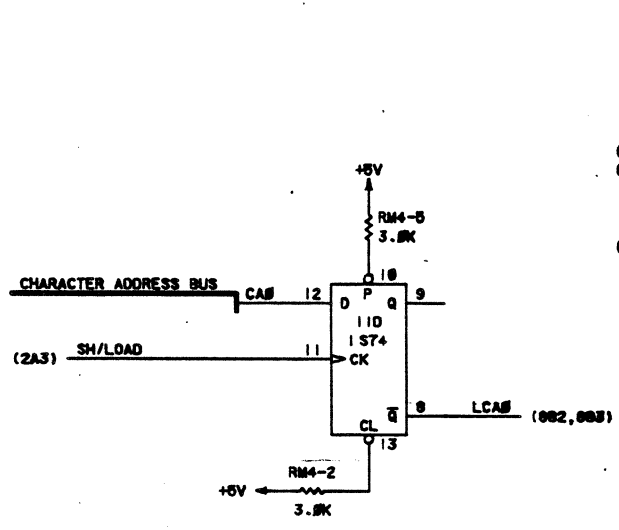
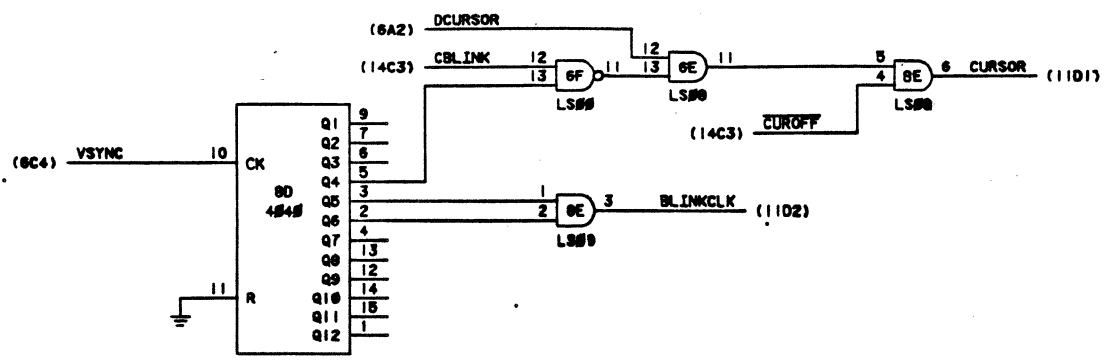


PROPRIETARY LEGEND
EXCEPT AS MAY BE OTHERWISE AUTHORIZED BY CONTRACT, THESE
DRAWINGS AND SPECIFICATIONS ARE THE PROPERTY OF LEAR SIEGLER
INC. ARE ISSUED IN STRICT CONFIDENCE, AND SHALL NOT BE
REPRODUCED, COPIED, OR USED FOR THE MANUFACTURE OR SALE OF
THE APPARATUS WITHOUT WRITTEN PERMISSION.

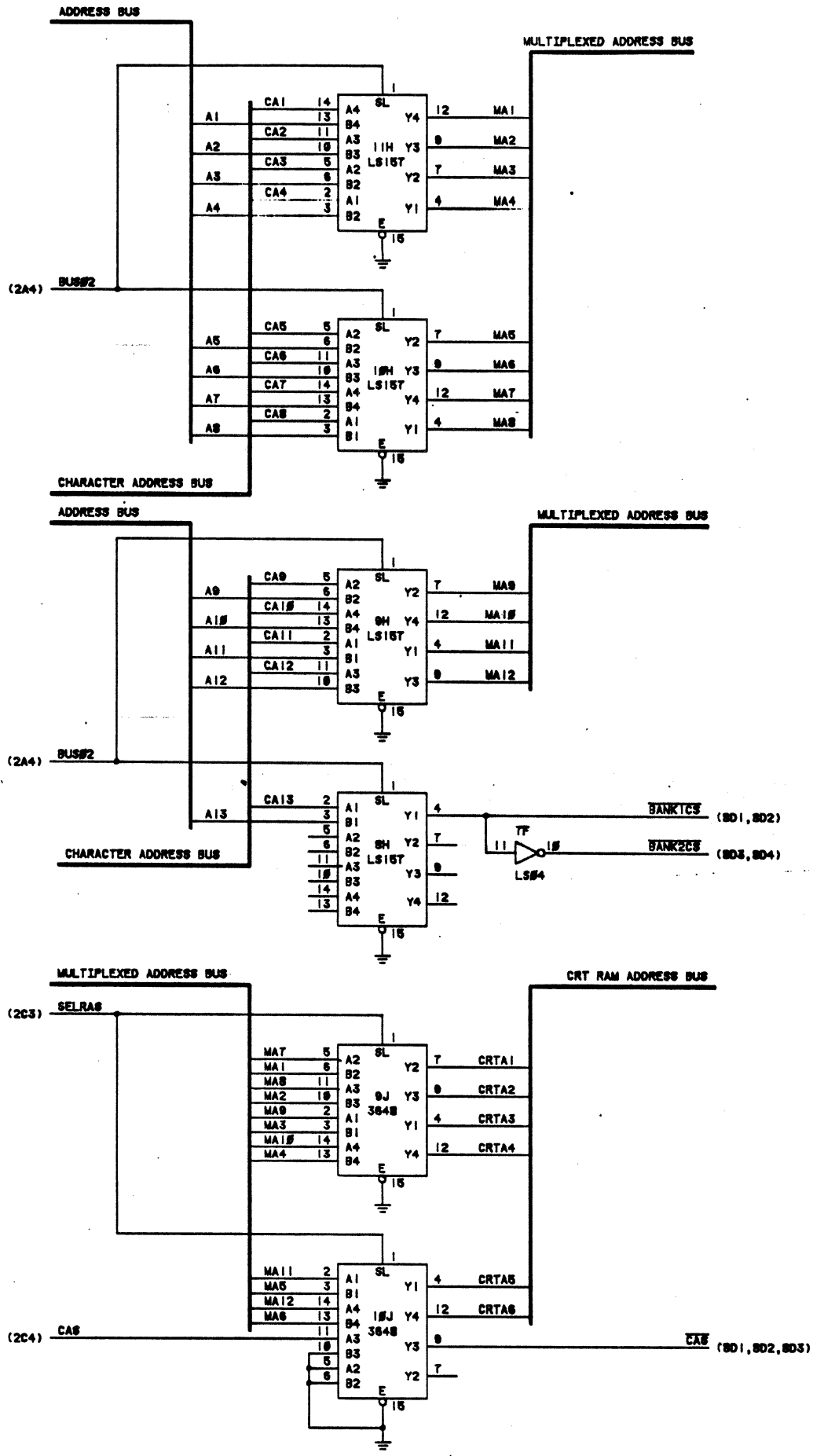
REVISED	DATE	APPROVED
SHT ZONE	LTR	DESCRIPTION



SIZE	FSCM NO.	2-WG NO.	129813	SHEET 5
C	98438			
SCALE: NONE				
PROPRIETARY LEGEND EXCEPT AS MAY BE OTHERWISE AUTHORIZED BY CONTRACT, THESE DRAWINGS AND SPECIFICATIONS ARE THE PROPERTY OF LEAR SIEGLER, INC. ARE ISSUED IN STRICT CONFIDENCE, AND SHALL NOT BE REPRODUCED, COPIED, OR USED FOR THE MANUFACTURE OR SALE OF THE APPARATUS WITHOUT WRITTEN PERMISSION.				

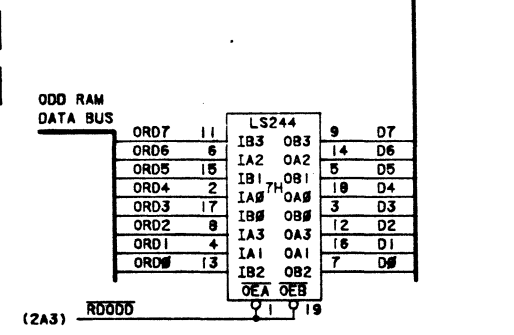
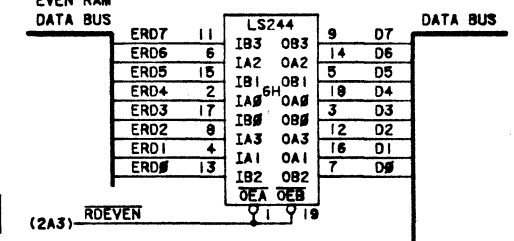
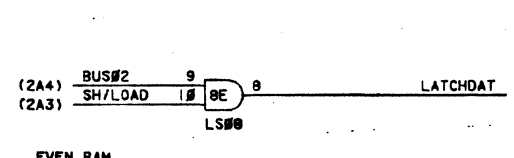
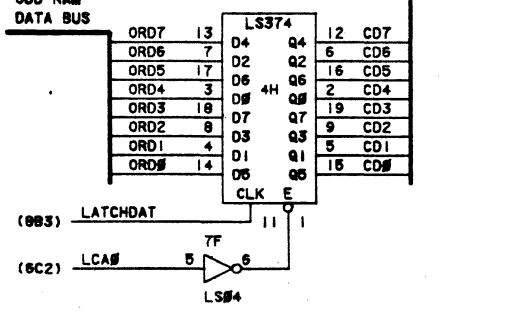
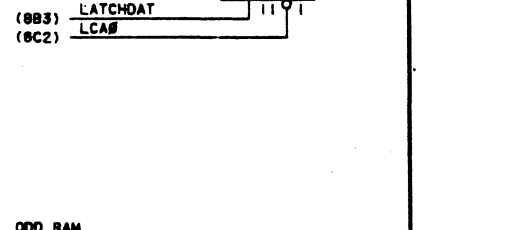
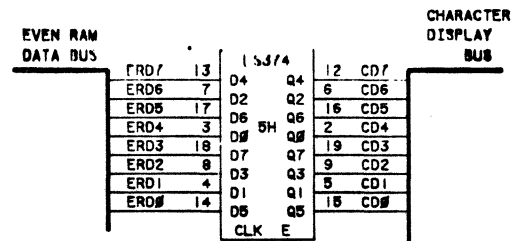
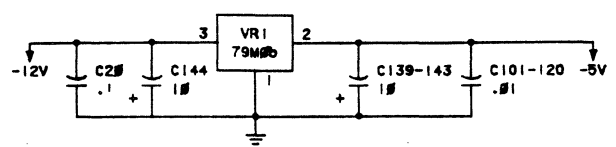
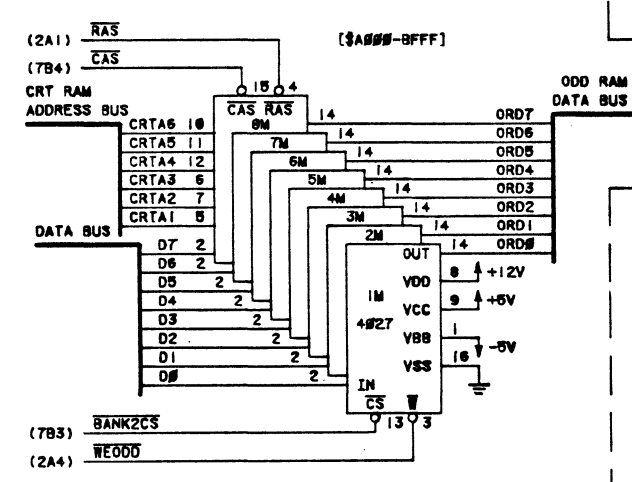
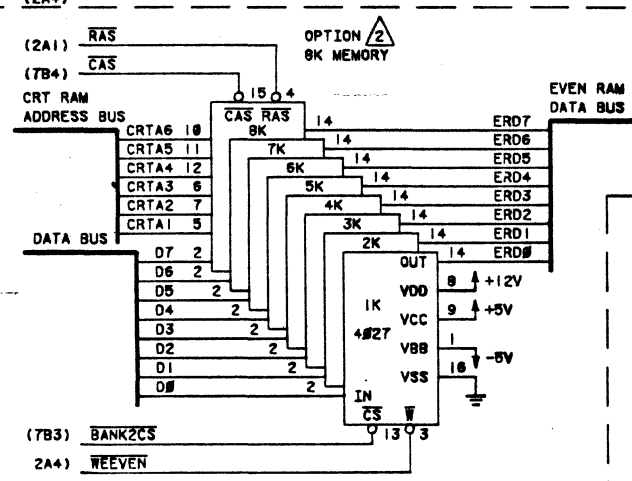
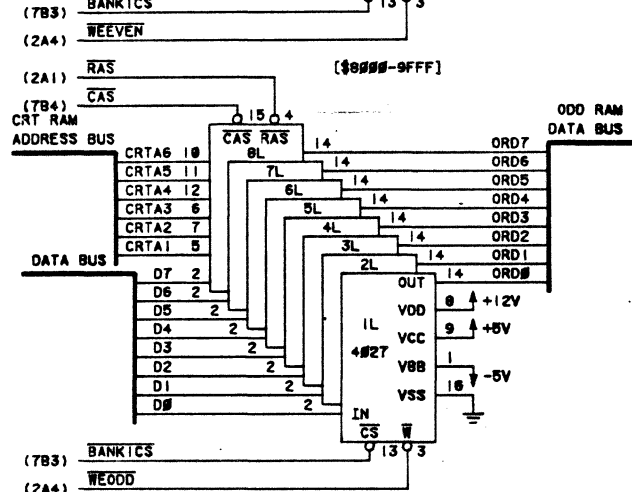
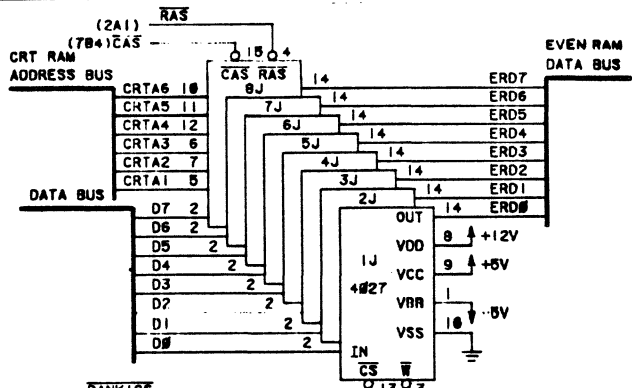


PROPRIETARY LEGEND
 EXCEPT AS MAY BE OTHERWISE AUTHORIZED BY CONTRACT, THESE DRAWINGS AND SPECIFICATIONS ARE THE PROPERTY OF LEAR SIEGLER, INC. AND SHALL NOT BE REPRODUCED, COPIED, OR USED FOR THE MANUFACTURE OR SALE OF THE APPARATUS WITHOUT WRITTEN PERMISSION.



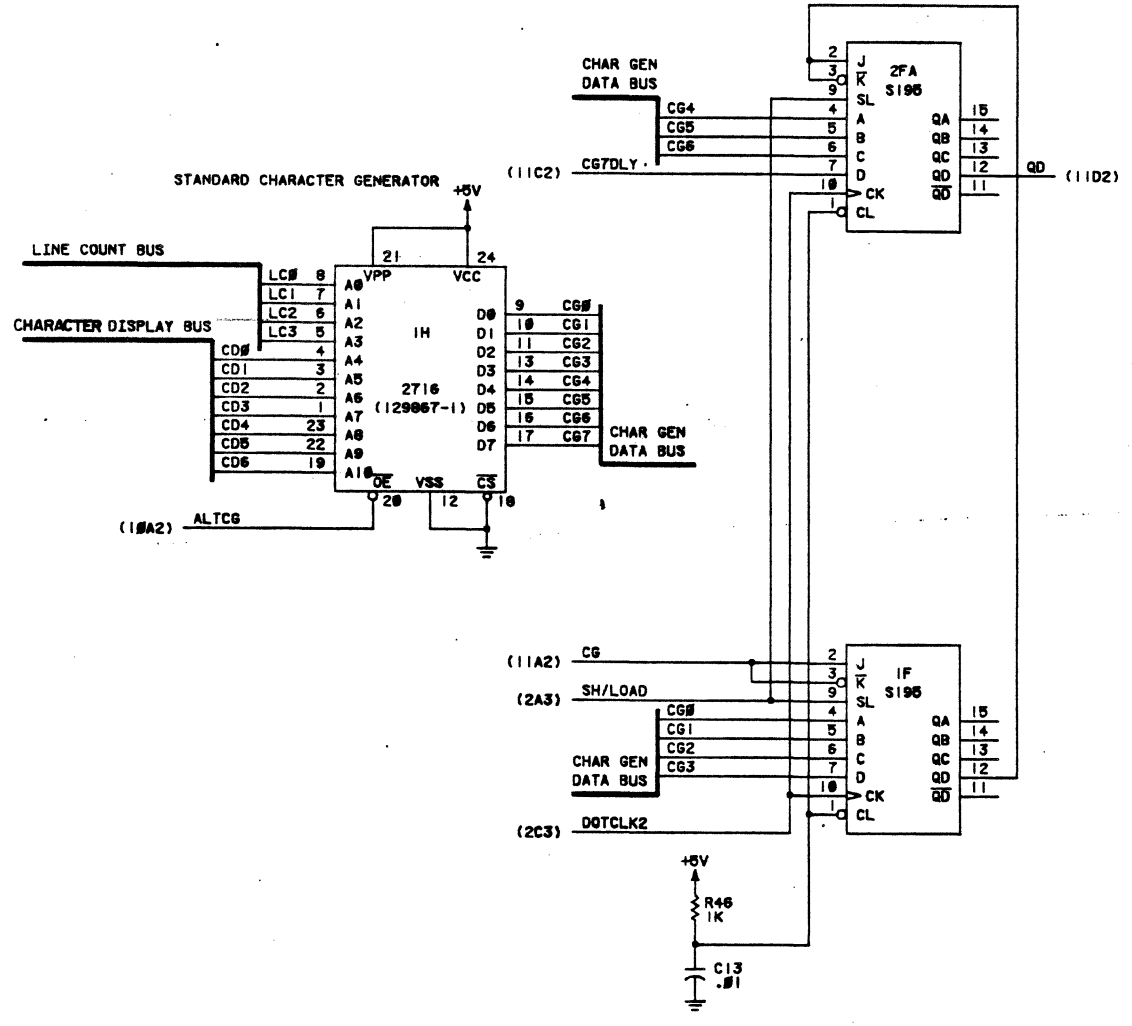
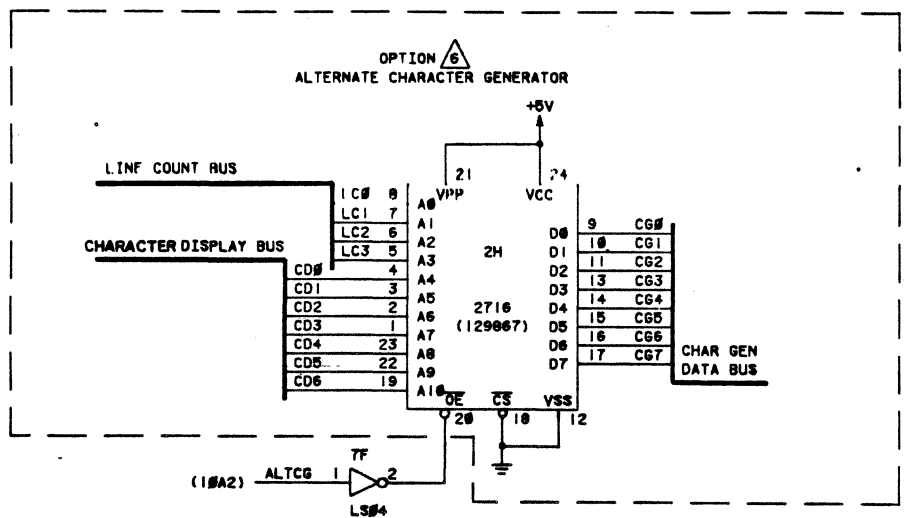
REVISIONS DESCRIPTION DATE APPROVED

SHT ZONE LTR

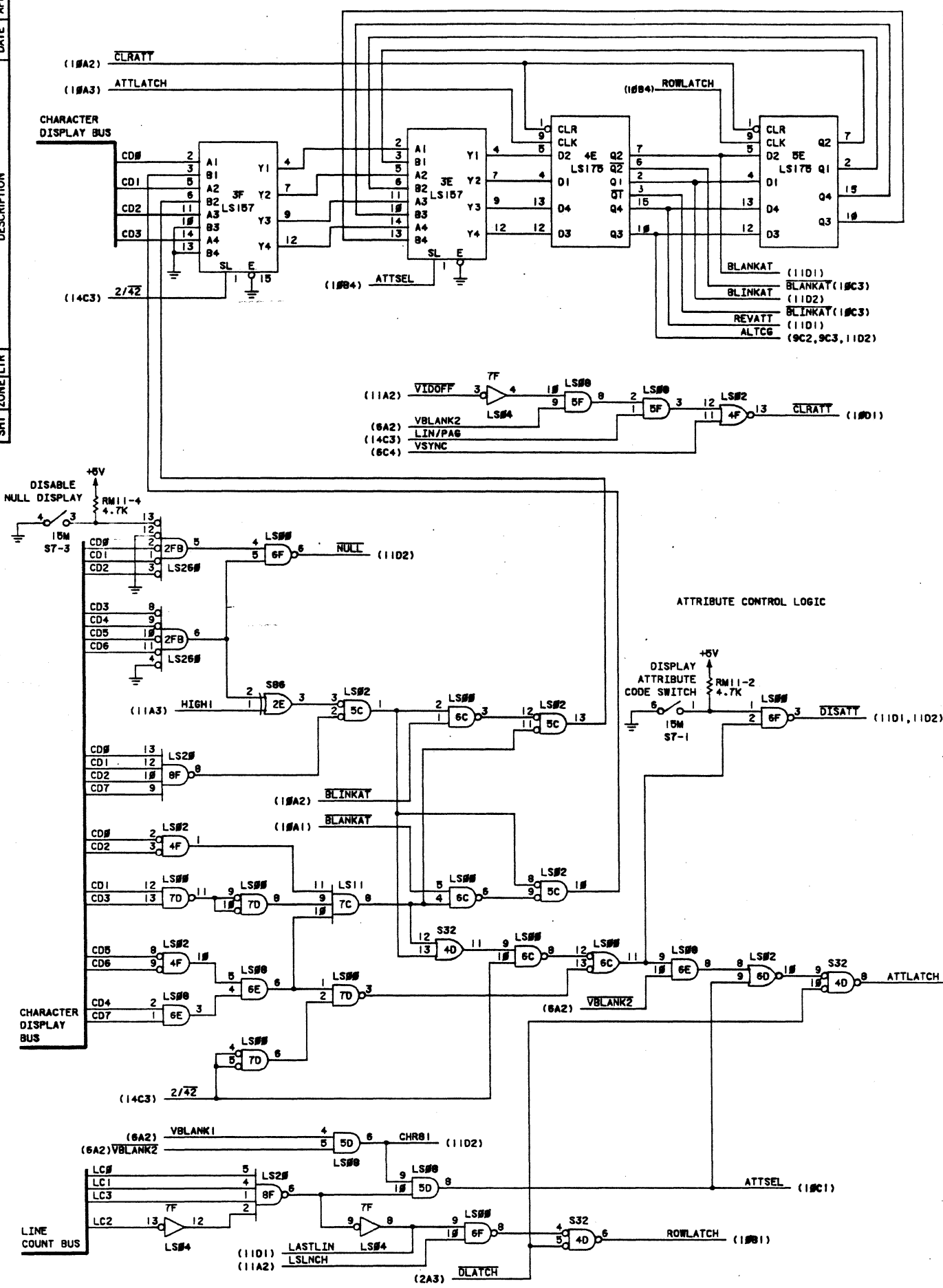


LTR 129813
 FSCM NO. 98438
 SIZE C
 SCALE
 SHEET 8

PROPRIETARY LEGEND
 EXCEPT AS MAY BE OTHERWISE AUTHORIZED BY CONTRACT, THESE DRAWINGS AND SPECIFICATIONS ARE THE PROPERTY OF LEAR HIGHER INC. AND ARE ISSUED IN STRICT CONFIDENCE. AND SHALL NOT BE REPRODUCED, COPIED OR USED FOR THE MANUFACTURE OR SALE OF THE APPARATUS WITHOUT WRITTEN PERMISSION.



PROPRIETARY LEGEND
 EXCEPT AS MAY BE OTHERWISE AUTHORIZED BY CONTRACT, THESE DRAWINGS AND SPECIFICATIONS ARE THE PROPERTY OF LEAR SIEGLER, INC. ARE ISSUED IN STRICT CONFIDENCE, AND SHALL NOT BE REPRODUCED, COPIED, OR USED FOR THE MANUFACTURE OR SALE OF THE APPARATUS WITHOUT WRITTEN PERMISSION.



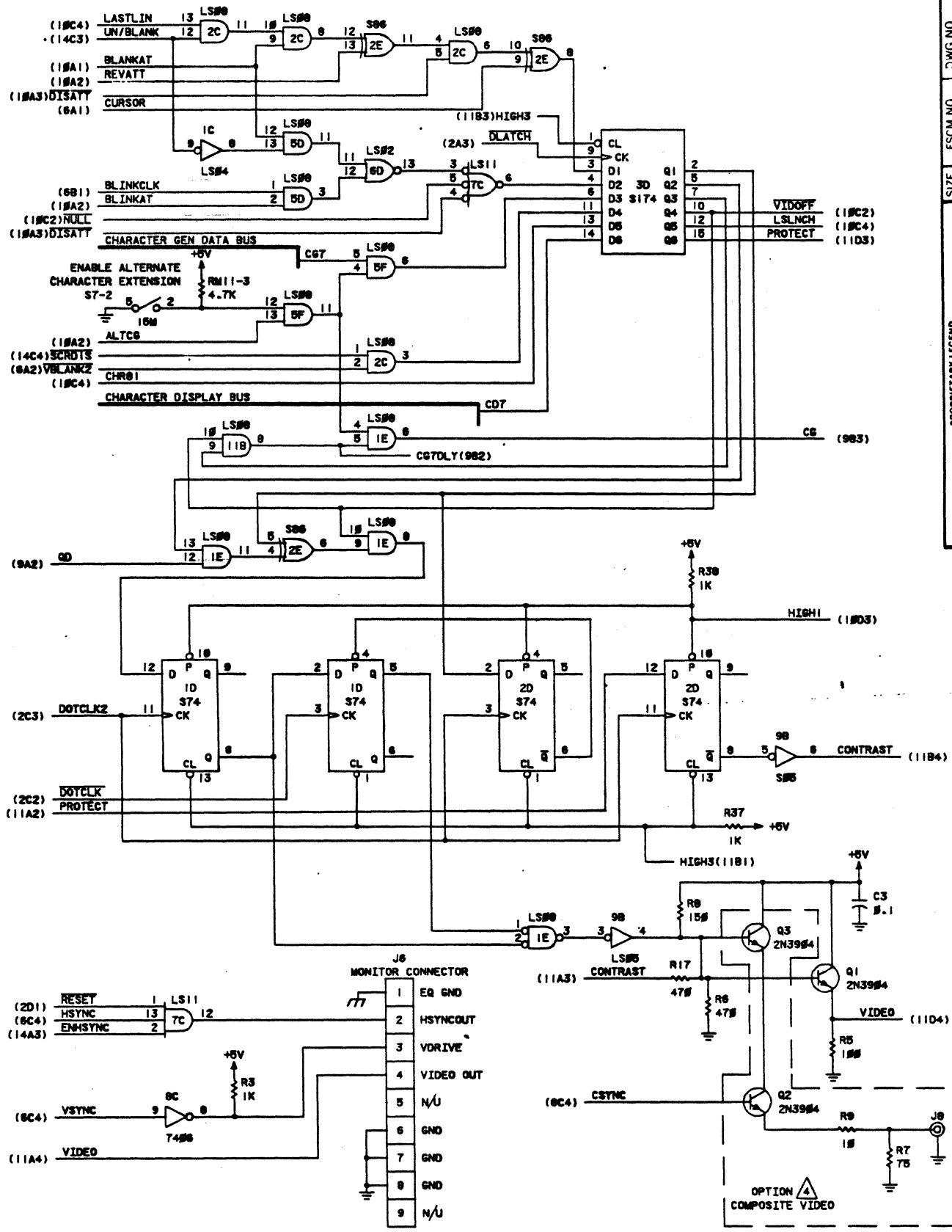
PROPRIETARY LEGEND
EXCEPT AS MAY BE OTHERWISE AUTHORIZED BY CONTRACT, THESE DRAWINGS AND SPECIFICATIONS ARE THE PROPERTY OF LEAR SIEGLER, INC. AND SHALL NOT BE REPRODUCED, COPIED, OR USED FOR THE MANUFACTURE OR SALE OF THE APPARATUS WITHOUT WRITTEN PERMISSION.

REVISION DESCRIPTION DATE APPROVED

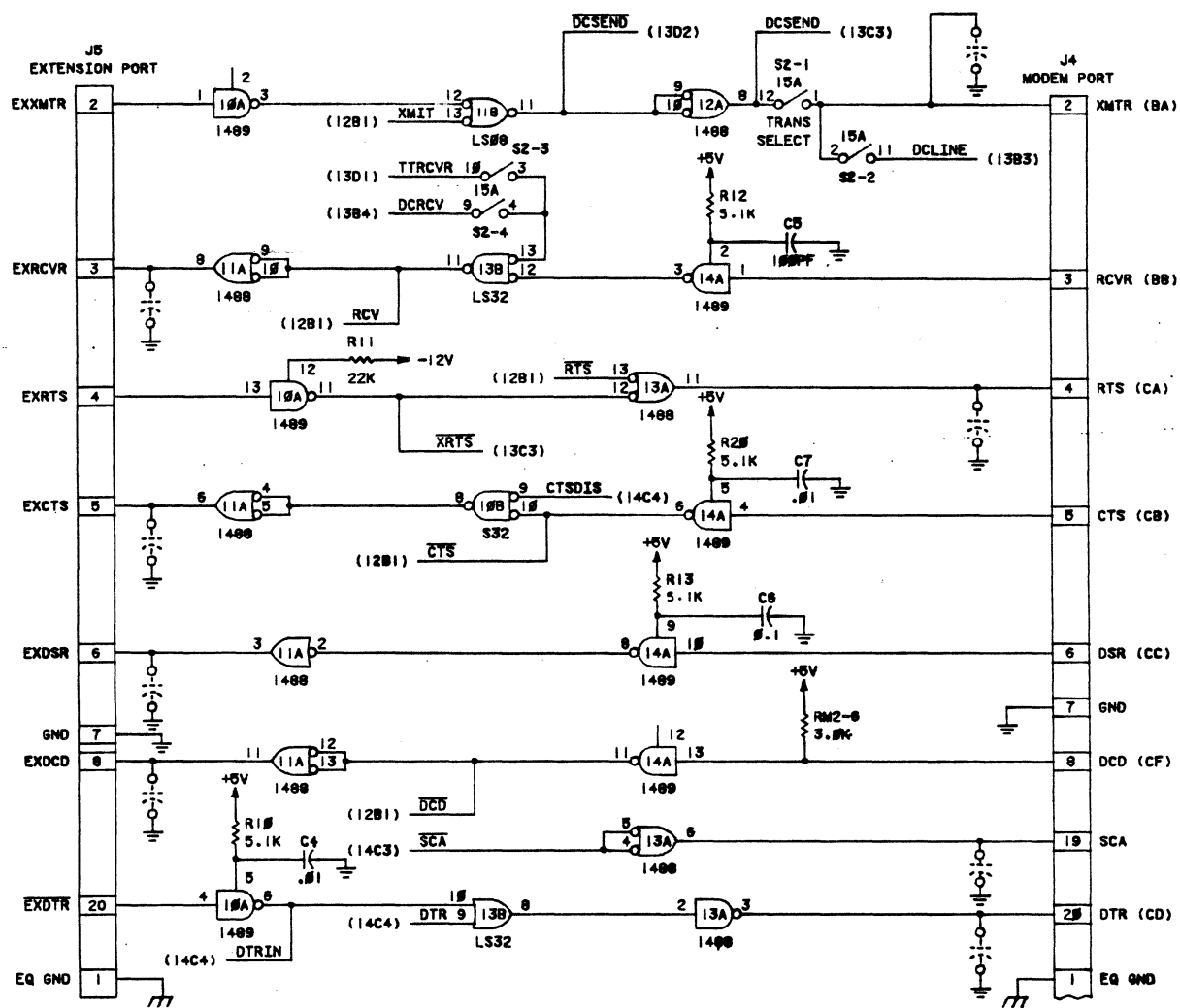
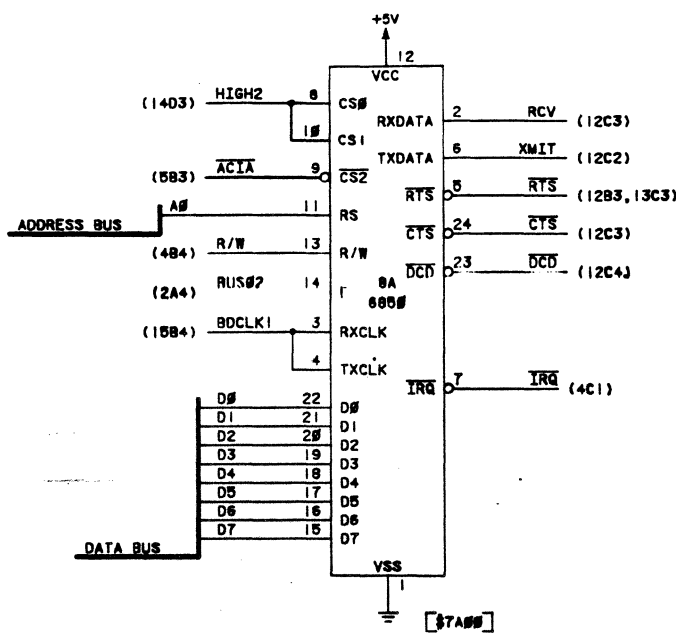
SHT ZONE LTR

LTR
129813
98438
FSCM NO.
C
SCALE NONE

PROPRIETARY LEGEND
EXCEPT AS MAY BE OTHERWISE AUTHORIZED BY CONTRACT, THESE DRAWINGS AND SPECIFICATIONS ARE THE PROPERTY OF LEAR SIEGEL, INC. AND ARE ISSUED IN STRICT CONFIDENCE. NO PART OF THESE DRAWINGS ARE TO BE REPRODUCED, COPIED, FOR THE MANUFACTURE OR SALE OF THE APPARATUS WITHOUT WRITTEN PERMISSION.



REVISIONS
DATE APPROVED
SMT_ZONE LTR
DESCRPT CM



LT
C
129813
FSCM NO
98438
SIZE
C
SCALE NONE
SHEET 12

PROPRIETARY LEGEND
EXCEPT AS MAY BE OTHERWISE AUTHORIZED BY CONTRACT THESE
DRAWINGS AND SPECIFICATIONS ARE THE PROPERTY OF LEAR SIEGLER
INC. ARE ISSUED IN STRICT CONFIDENCE, AND SHALL NOT BE
REPRODUCED, COPIED, OR USED FOR THE MANUFACTURE OR SALE OF
THE APPARATUS WITHOUT WRITTEN PERMISSION.

D

C

↑

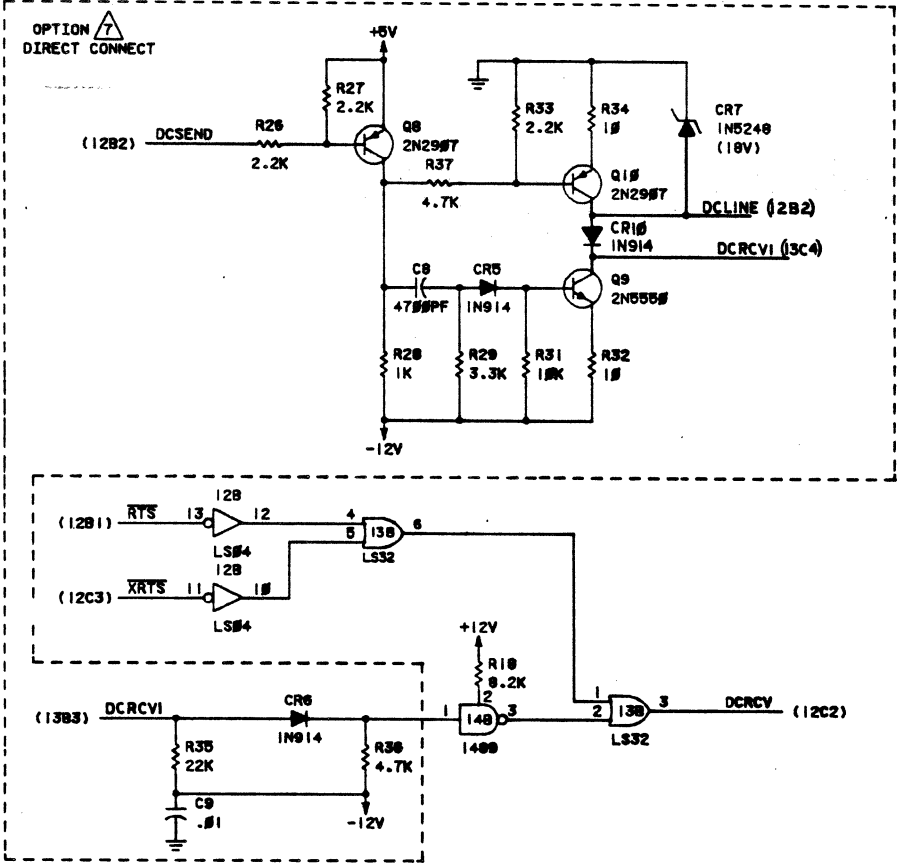
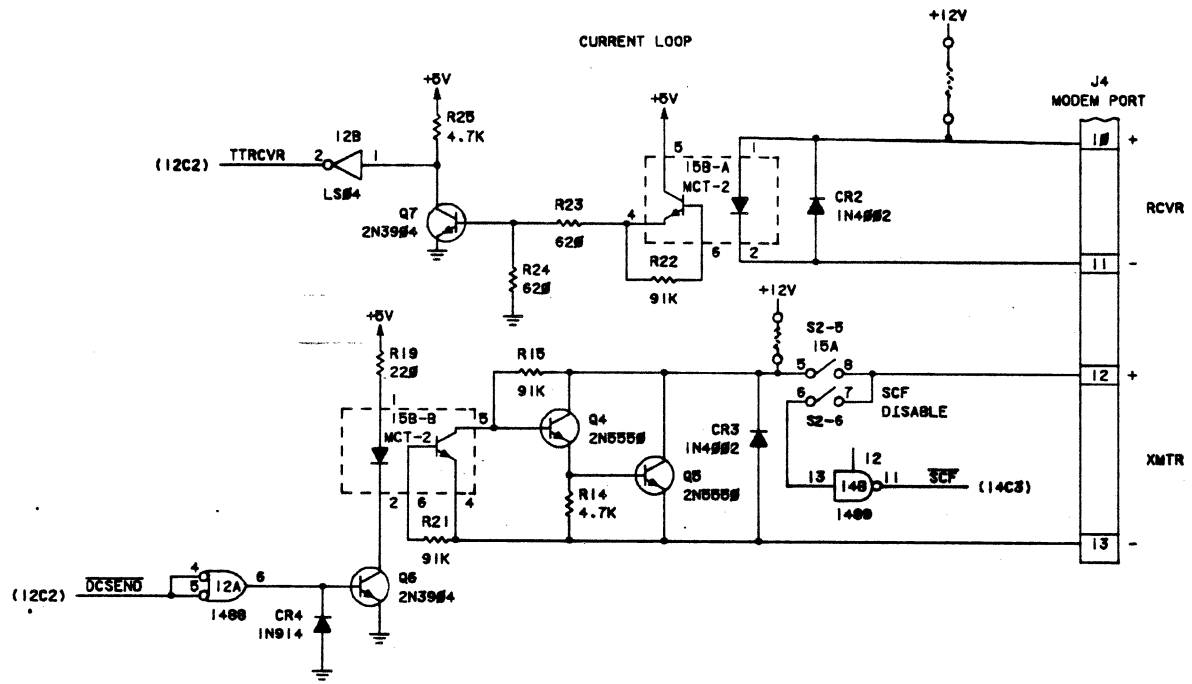
B

A

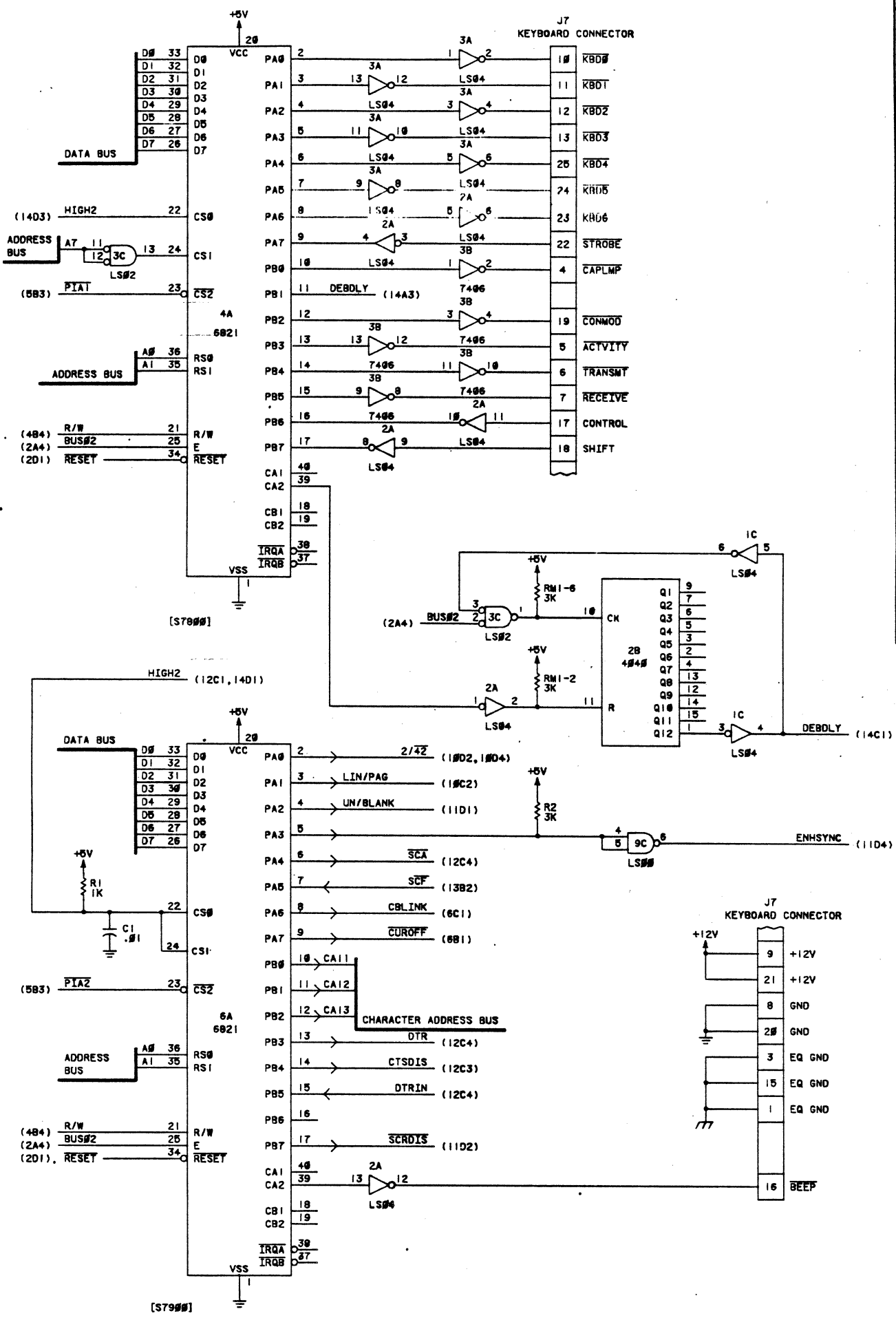
REVISIONS
DATE APPROVED
DESCRIPTION
SMT ZONE LTR

LTR	
DWG NO.	219813
FSCM NO.	98438
SIZE	C
SCALE	NONE
SHEET	13

PROPRIETARY LEGEND
EXCEPT AS MAY BE OTHERWISE AUTHORIZED BY CONTRACT, THESE DRAWINGS AND SPECIFICATIONS ARE THE PROPERTY OF LEAR SIEGLER, INC. AND ARE ISSUED IN STRICT CONFIDENCE. AND SHALL NOT BE REPRODUCED, COPIED, OR IN ANY MANNER DISCLOSED OR SALE OF THE APPARATUS WITHOUT WRITTEN PERMISSION.



REV	ZONE	LTR	DESCRIPTION	DATE	APPROVED



REVISIONS

DATE

APPROVED

SHT

ZONE

LTR

DESCRIPTION

DATE

APPROVED

SIZE

FSCM NO

DWG NO

129813

SHEET 14

SCALE NONE

PROPRIETARY LEGEND

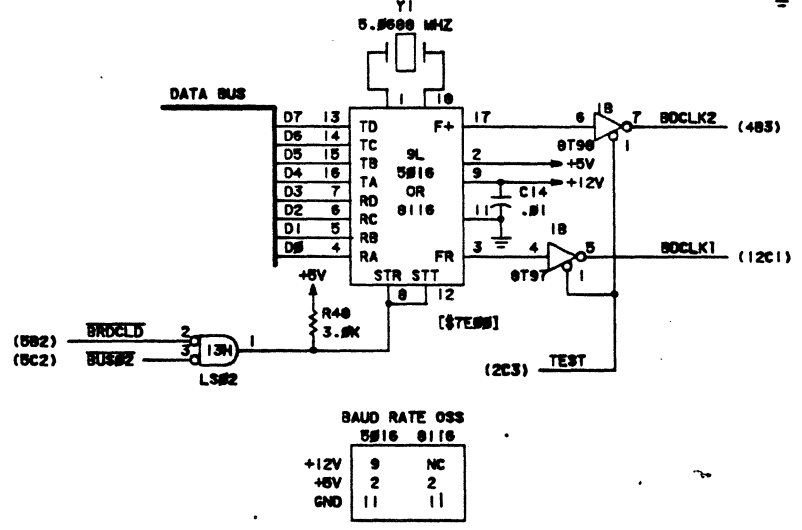
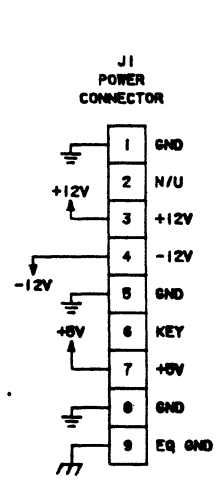
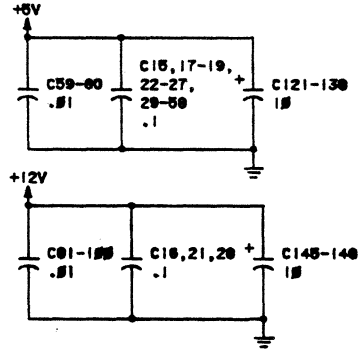
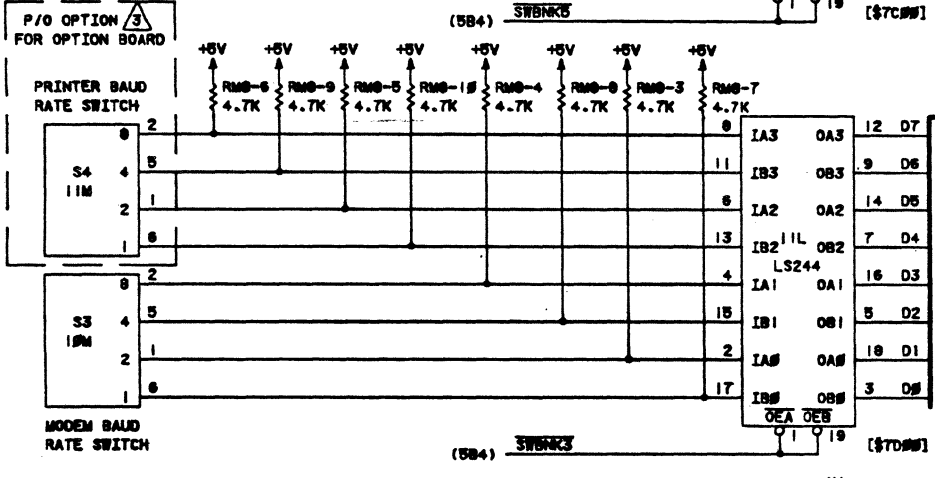
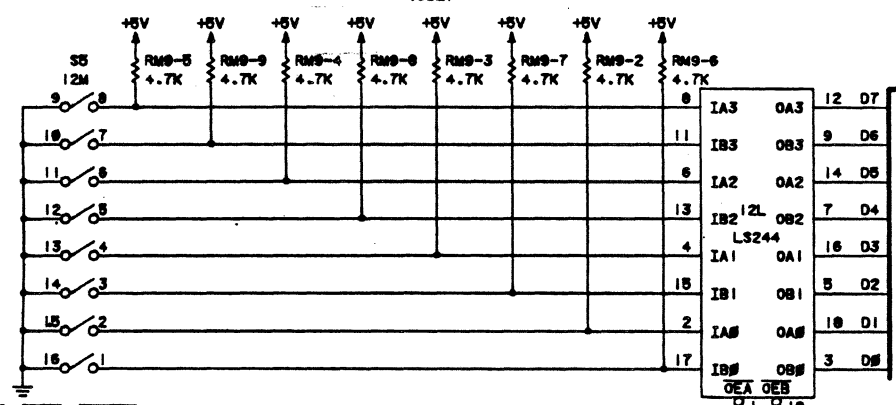
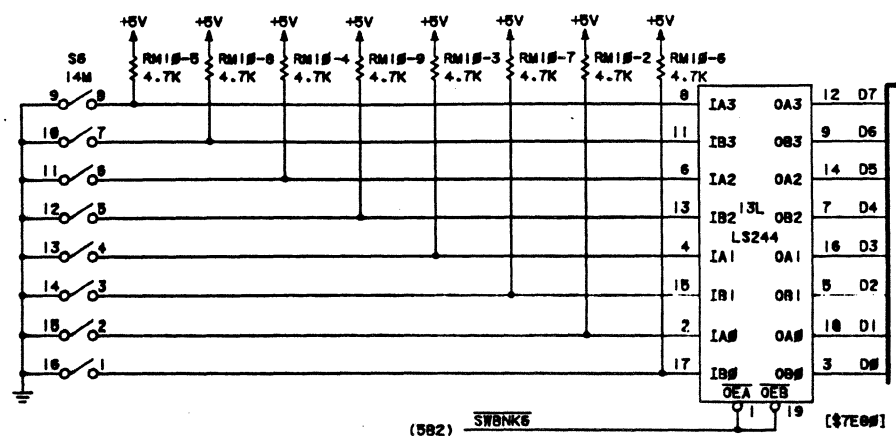
EXCEPT AS MAY BE OTHERWISE AUTHORIZED BY CONTRACT, THESE DRAWINGS AND SPECIFICATIONS ARE THE PROPERTY OF LEAR SIEGLER, INC. ARE ISSUED IN STRICT CONFIDENCE, AND SHALL NOT BE REPRODUCED, COPIED, OR USED FOR THE MANUFACTURE OR SALE OF THE APPARATUS WITHOUT WRITTEN PERMISSION.

REVISIONS
DATE APPROVED

SMT ZONE LTR
DESCRIP C N

LTR
FCOM NO. 98438
DWG NO. 129813
SCALE NONE
SHEET 15

PROPRIETARY LEGEND
EXCEPT AS MAY BE OTHERWISE AUTHORIZED BY CONTRACT, THESE DRAWINGS AND SPECIFICATIONS ARE THE PROPERTY OF LEAR SIGLER, INC. AND ARE ISSUED ON A NON-EXCLUSIVE BASIS FOR THE MANUFACTURE OR SALE OF THE APPARATUS WITHOUT WRITTEN PERMISSION.



BAUD RATE OSS

+12V	9	NC
+8V	2	2
GND	11	11

REVISIONS
 SHT ZONE LTR
 DESCRIPTION
 DATE APPROVED

J1 POWER

PIN NO.	FUNCTION	REF
1	GND	1503
2	N/U	
3	+12V	1504
4	-12V	1504
5	GND	1504
6	KEY	1504
7	+5V	1504
8	GND	1504
9	EQ. GND	1504

J2 ADDRESS/DATA BUS

PIN NO.	FUNCTION	REF
1	A6	4A1
3	A7	4A1
5	A4	4A2
7	A5	4A2
9	A2	4A2
11	A3	4A2
13	A0	4A2
15	A1	4A2
17	A9	4A1
19	A11	4A1
21	A8	4A1
23	A10	4A1
25	A15	4A1
27	A13	4A1
29	A14	4A1
31	A12	4A1
33	GND	4A2
35	D6	4A2
37	D4	4A2
39	D7	4A2
41	D1	4A2
43	D2	4A2
45	D0	4A2
47	D3	4A2
49	D5	4A2
EVEN	GND	

J3 CONTROL SIGNALS

PIN NO.	FUNCTION	REF
1	N/U	
3	TRST	401
5	IRQ	401
7	NMI	402
9	N/U	
11	↑	
13	↓	
15	N/U	
17	GND	
19	BA	4A3
21	N/U	
23	N/U	
25	MEMCLK	4A3
27	GND	4A3
29	SYSVMA	4A4
31	R/W	4A4
33	N/U	
35	BUS02	4A3
37	N/U	
39	RESET	4A3
41	N/U	
43	GND	
45	GND	
47	GND	
49	GND	
EVEN	GND	

J4 MODEM

PIN NO.	FUNCTION	REF
1	EQ GND	12A4
2	XMTR (BA)	12A2
3	RCVR (BB)	12A3
4	RTS (CA)	12A3
5	CTS (CB)	12A3
6	DSR (CC)	12A3
7	GND	12A3
8	DCD (CF)	12A4
9	N/U	
10	CL RCVR+	13A1
11	CL RCVR-	13A1
12	CL XMTR+	13A2
13	CL XMTR-	13A2
14	N/U	
15	↑	
16	↓	
17	N/U	
18	SCA	12A4
19	DTR (CD)	12A4
20	N/U	
21	N/U	
22	↑	
23	↓	
24	N/U	
25	N/U	

J5 EXTENSION

PIN NO.	FUNCTION	REF
1	EQ. GND	12D4
2	XMTR (BA)	12D2
3	RCVR (BB)	12D3
4	RTS (CA)	12D3
5	CTS (CB)	12D3
6	DSR (CC)	12D3
7	GND	12D3
8	DCD (CF)	12D4
9	N/U	
10		
11	↑	
12		
13		
14		
15		
16		
17		
18	↓	
19	N/U	
20	DTR (CD)	12D4
21	N/U	
22	↑	
23		
24	↓	
25	N/U	

J6 MONITOR

PIN NO.	FUNCTION	REF
1	EQ. GND	11C4
2	HSYNC	11C4
3	VSYNC	11C4
4	VIDEO	11C4
5	N/U	11C4
6	GND	11C4
7	GND	11C4
8	GND	11C4
9	N/U	11C4

J7 KEYBOARD

PIN NO.	FUNCTION	REF
1	EQ. GND	14A4
2	N/U	
3	EQ. GND	14A4
4	CAPLMP	14B1
5	ACTIVITY	14B2
6	TRANSMIT	14B2
7	RECEIVE	14B2
8	GND	14A3
9	+12V	14A3
10	KBD0	14B1
11	KBD1	14B1
12	KBD2	14B1
13	KBD3	14B1
14	N/U	
15	EQ. GND	14A4
16	BEEP	14A4
17	CONTROL	14B2
18	SHIFT	14B2
19	CONMOD	14B2
20	GND	14A4
21	+12V	14A3
22	STR0BE	14B1
23	KBD6	14B1
24	KBD5	14B1
25	KBD4	14B1

J8 COMPOSITE VIDEO (OPT.)

PIN NO.	FUNCTION	REF
1	VIDEO	11A4

LTR
 129813
 SIZE FSCM NO. DWG NO. 98438
 SCALE NONE
 PROPRIETARY LEGEND
 EXCEPT AS MAY BE OTHERWISE AUTHORIZED BY CONTRACT, THESE DRAWINGS AND SPECIFICATIONS ARE FOR THE USE OF THE BUYER AND SHALL NOT BE REPRODUCED, COPIED, OR USED FOR THE MANUFACTURE OR SALE OF THE APPARATUS WITHOUT WRITTEN PERMISSION.

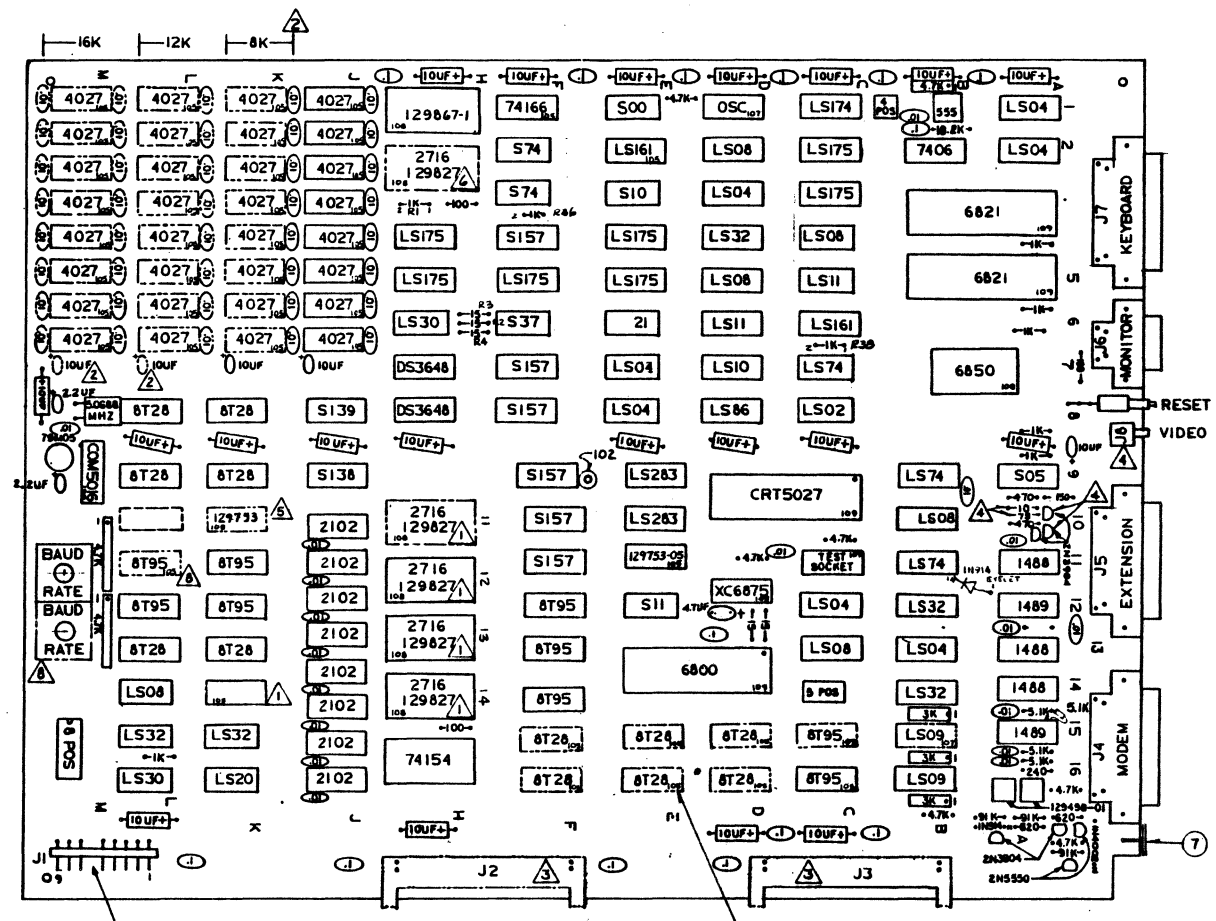
REVISIONS				DATE	APPROVED
SHT	ZONE	LTR	DESCRIPTION		
	A		INC ADEN 1-6 ADD SH. 3&4 CREATED-11-7	11-7	
	B		INC ADEN 7-ZB DCN 434(SZ)	2ES-10-26-78	
	C		INC DCN 56Z	RM	
	D		INC DCN 454	RM	
			INC D-549	RM	

MODIFICATIONS TO -7
CUT ETCH

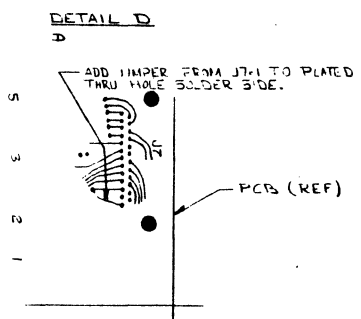
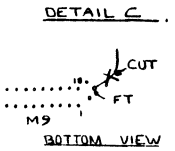
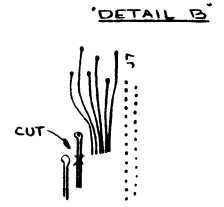
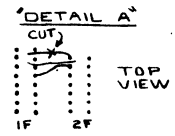
1. IE1 TO IEZ
2. IEF2 - JND BUS
3. IEF2 - SEE DETAIL A
4. IEF3 TO EYELET
5. IEF3 ROWS OF PINS BETWEEN 3F
6. IEF3
7. IEF3
8. IEF3 BETWEEN CHIPS 4D&4E
9. 4D&9 MARKED ETCH BETWEEN 3D&4D
10. 4D&10
11. 4D&10
12. IEF1 BETWEEN CHIPS 5F&6F
13. IEF2 UNDER CHIP 6F
14. IEF2 MARKED ETCH BETWEEN 5F&6F
15. IEF2 TO 6F4
16. IEF3 BETWEEN ROWS OF PINS ON 6F
17. 6F4 TO 6F9 UNDER CHIP
18. IEF10 MARKED ETCH BETWEEN 6F&7F
19. 6H10 TO 6H11
20. 9C1Z TO 1ZDS COMP SIDE
21. 9C1Z TO 8E1
22. 10J3 TO EL #1
23. 10J3 TO EL #2
24. 11E15 TO 9E14
25. 13E14 TO 13A&B
26. 14W9 SEE DETAIL C

JUMPER

1. IE3 TO 9J3	31. 1ZD9 TO IEZ
2. IE3 TO 4D10	32. 13B3
3. 2D&9	33. EL #1
4. 2D&6	34. REF #1
5. 3E13	35. 3E13
6. 3D1Z	36. 3E13
7. 3F6	37. 3E13
8. 3F9	38. 3E13
9. 4C1	39. 3E13
10. 4C1	40. 3E13
11. 4C1	41. 3E13
12. 4C1	42. 3E13
13. 4C1	43. 3E13
14. 4C1	44. 3E13
15. 4C1	45. 3E13
16. 4C1	46. 3E13
17. 4C1	47. 3E13
18. 4C1	48. 3E13
19. 4C1	49. 3E13
20. 4C1	50. 3E13
21. 4C1	51. 3E13
22. 4C1	52. 3E13
23. 4C1	53. 3E13
24. 4C1	54. 3E13
25. 4C1	55. 3E13
26. 4C1	56. 3E13
27. 4C1	57. 3E13
28. 4C1	58. 3E13
29. 4C1	59. 3E13
30. 4C1	60. 3E13



-II ASSY
(-7 8D)
REFERENCE FIND NUMBER FOR SOCKET



INSTALL PARTS FOR PRINTER OPTION.
SEE 129542 OPTION 3-2

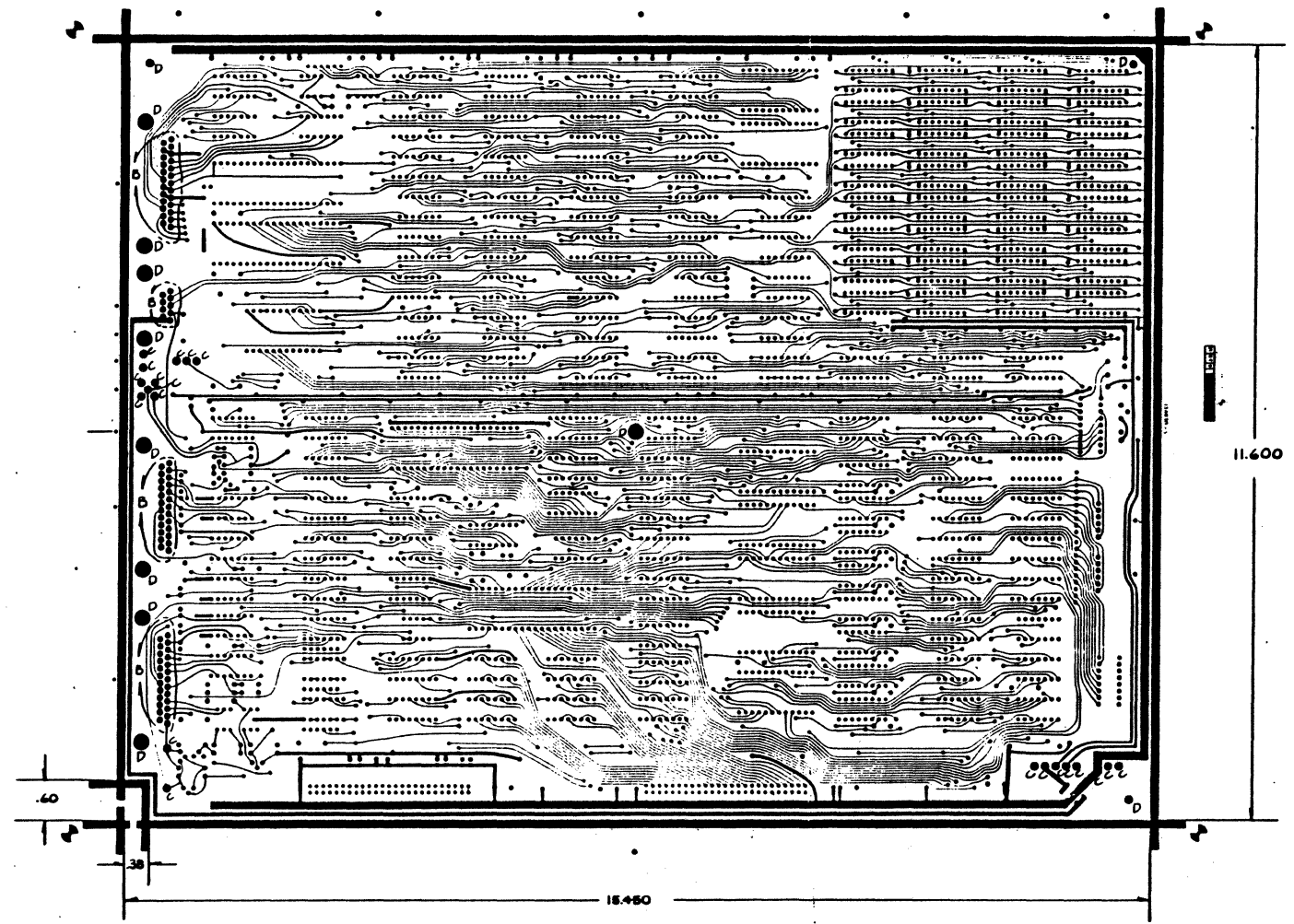
7. FOR SCHEMATIC SEE 129831

- ▲ ALTERNATE CHARACTER SET
- ▲ ANSWER BACK
- ▲ COMPOSITE VIDEO OPTION.
- ▲ OPTION. 8P.
- ▲ MEMORY OPTION.
- ▲ REFER TO 129542 FOR OPTIONS OR PROM NUMBER.

NOTES: UNLESS OTHERWISE SPECIFIED

SEE SEPARATE PARTS LIST PL129830

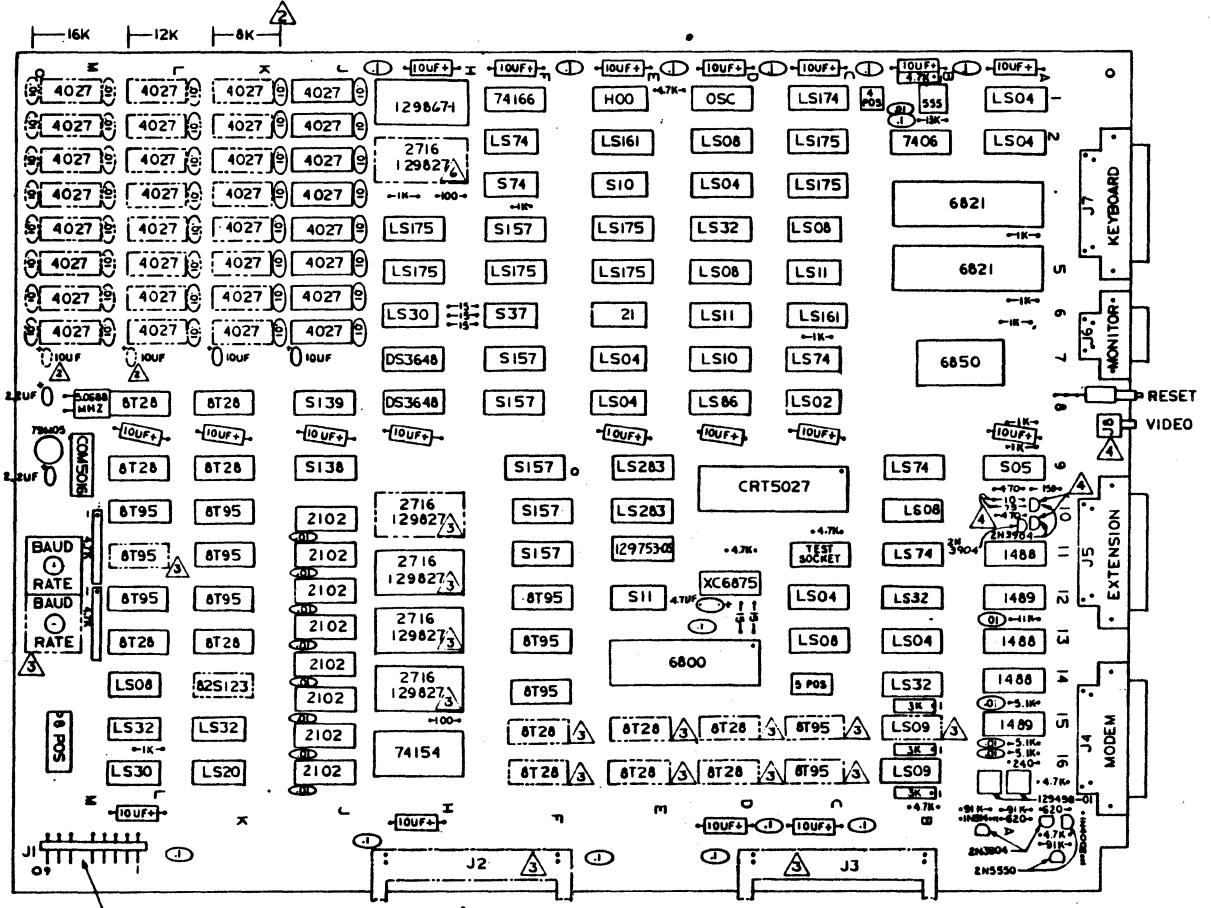
UNLESS OTHERWISE SPECIFIED		CONTR NO.		LEAR SIEGLER, INC. ELECTRONIC INSTRUMENTATION DIVISION ANAHEIM, CALIFORNIA 92803	
DIM. IN INCHES		DR. <i>Miguel Torres</i> 5-19-78		PC BOARD ASSY - LOGIC ADM 42	
TOLERANCES		DSGN		SIZE CODE IDENT DWG NO.	
X ± .1		ENGR		D 98438 129830	
XX ± .03		FRG. <i>7/1/78</i>		SCALE FULL SHEET 1 OF 4	
XXX ± .010		REL <i>7/1/78</i>			
ANGLES ± 0.5°		APPD			
MACH. FIN.		APPD			
DASH NO	NEXT ASSY	USED ON			
	APPLICATION				



129830-7
DETAIL

NOTES:
 1. FOR REQUIREMENTS REFER TO 129317
 EXCEPT OUTLINE DETAIL PER THIS SHEET.
 2. HOLE SIZES AS TABULATED

CODE	DIAMETER		QTY
	MINIMUM	MAXIMUM	
A	.035	.042	ALL OTHERS
B	.044	.052	84
C	.064	.072	20
D	.128	.136	12



MODIFICATIONS TO -5
CUT ETCH:

- 1.70-15 TO FEED THRU ON CIR. SIDE.
- 2.1F-14 TOWARD REAR COHN (DO NOT CUT ETCH TO 1H-17)
- 3.60-5 TO FEED THRU ON CIR. SIDE.
- 4.60-6 " " " " " " " " " "
- 5.100-6 " " " " COMP. SIDE.
- 6.15L-8 " " " " " " " " " "
- 7.16L-4 TO 16L-5 CIR. SIDE.
- 8.16L-4 TO 16L-12 COMP. SIDE (UNDER IC.)
- 9.15C-7 TO 14C-7 COMP. SIDE.
- 10.15C-6 TO FEED THRU ON CIR. SIDE.
- 11.9J-18 " " " " " " " " " "
- 12.13B-4 TO 13A-5 CIR. SIDE.

ADD JUMPERS

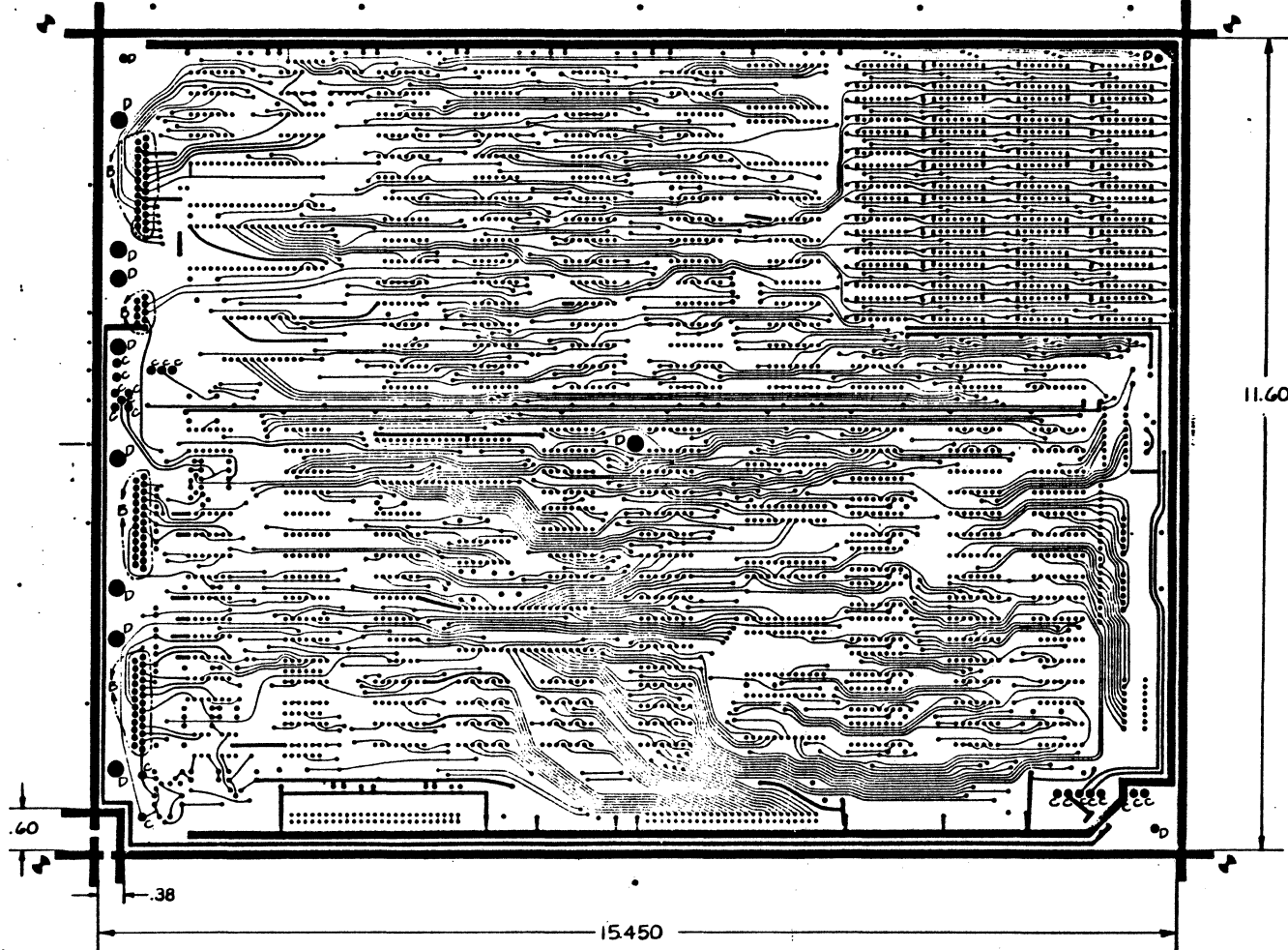
- 1.9B-5 TO 9B-12
- 2.9B-11 TO 4D-15
- 3.9B-9 TO 7D-13
- 4.9B-10 TO 9B-15
- 5.9B-13 TO 9B-14
- 6.1F-2 TO 5C-4
- 7.1F-13 TO 2F-2
- 8.2F-2 TO 15L-12
- 9.2F-5 TO 2E-2
- 10.2F-5 TO 15L-12
- 11.4C-1 TO 5E-14
- 12.2F-4 TO 2F-4
- 13.15L-1 TO 6D-5
- 14.10B-6 TO 8D-2
- 15.6D-6 TO 8D-10
- 16.16L-8 TO 15F-1
- 17.16L-5 TO 16C-4
- 18.16L-12 TO 16C-14
- 19.15C-6 TO 14C-7
- 20.15C-7 TO FEED THRU THAT WENT TO 15C-6.
- 21.11D-2 TO 11B-7
- 22.11D-1 TO 13D-40
- 23.11D-3 TO 13C-3
- 24.11D-5 TO 9A-1
- 25.11D-4 TO 12B-8
- 26.12D-9 TO 12B-6
- 27.12D-10 TO 15B-10
- 28.12D-4 TO 12B-1
- 29.12D-1 TO 9J-15
- 30.12D-5 TO 12C-4
- 31.12D-2 TO 12C-3
- 32.12D-2 TO 13F-5
- 33.13C-1 TO 13D-2
- 34.13C-2 TO 5D-10
- 35.9A-2 TO 13D-2
- 36.12B-3 TO FEED THRU THAT WENT TO 9J-15
- 37.4C-3 TO 2F-1
- 38.4C-2 TO 3E-12
- 39.3E-1 TO 5C-3
- 40.3E-2 TO 9E-10
- 41.3E-15 TO 3E-14
- 42.13B-3 TO 13A-5

-1 ASSY
(-5 8D)

- ⚠ ALTERNATE CHARACTER SET
- 4 COMPOSITE VIDEO OPTION.
- 3 OPTION. 8D.
- 2 MEMORY OPTION.
- ⚠ REFER TO 129542 FOR OPTIONS OR PROM NUMBER.

NOTES: UNLESS OTHERWISE SPECIFIED

UNLESS OTHERWISE SPECIFIED DIM. IN INCHES TOLERANCES X ± 1 XX ± 0.3 XXX ± 0.10 ANGLES ± 0.5° MACH. FIN.		CONTR NO 5-19-78	
DASH NO		APPD	
NEXT ASSY USED ON		APPD	PC BOARD ASSY - LOGIC ADM 42
DATE	APPLICATION	SIZE	CODE DENT D 98438
		DWG NO.	129830
		SHEET	3



NOTES:
 1. FOR REQUIREMENTS REFER TO 129317 EXCEPT OUTLINE DETAIL PER THIS SHEET.
 2. HOLE SIZES AS TABULATED

CODE	DIAMETER		QTY
	MINIMUM	MAXIMUM	
A	.035	.042	ALL OTHERS
B	.044	.052	84
C	.064	.072	20
D	.128	.136	12

129830-3
 DETAIL

SHT		ZONE	LTR	REVISIONS	DATE	APPROVED
			A	RELEASED PER DCN	1/14/79	[Signature]
			B	INC. DCN 485	2-27-80	[Signature]

STANDARD PWB 129830-2

01C
S1 - VIDEO ATTRIBUTES

OFF	ON	1	0	BLANK ATTRIBUTE
OFF	ON	2	0	DSPLY ATTRIBUTE AS SPACE
OFF	ON	3	0	GRAPHICS ENABLED
OFF	ON	4	0	DSPLY NULL AS SPACE
OFF	ON	1	0	DSPLY ATTRIBUTE CODE
OFF	ON	2	0	GRAPHICS DISABLED
OFF	ON	3	0	DSPLY NULL AS NULL
OFF	ON	4	0	

014C
S6 - CURR LOOP/SECONDARY CHAN

OFF	ON	1	0	CURR LOOP AND SECONDARY CHAN CTRL
OFF	ON	2	0	EXTERNAL TRISTATE BUS ENA
OFF	ON	3	0	DATA BUS ENABLE CTRL
OFF	ON	4	0	
OFF	ON	5	0	

S6-1	S6-2	S6-4	S6-5	FUNCTION
ON	OFF			CURR LOOP ENABLED
OFF	ON			SECONDARY CHAN ENABLED
OFF	OFF			CURR LOOP AND SECONDARY CHAN DISABLED
ON	ON			MAY CAUSE DAMAGE TO UNIT
	OFF	ON		INTERNAL DATA BUS ENABLED
	ON	OFF		EXTERNAL DATA BUS ENABLED
	OFF	OFF		NOT DEFINED
	ON	ON		MAY CAUSE DAMAGE TO UNIT

015M
S5 - WORD STRUCTURE

ON	OFF	1	0	BREAK KEY ENA
ON	OFF	2	0	60 HZ
ON	OFF	3	0	EVEN PARITY
ON	OFF	4	0	1 STOP BIT
ON	OFF	5	0	2 STOP BITS
ON	OFF	6	0	7 DATA BITS
ON	OFF	7	0	8 DATA BITS
ON	OFF	8	0	EXPANDED BUFFER ENA
ON	OFF	9	0	SEND BIT 8 AS 1 (MARK)
ON	OFF	10	0	HALF DUPLEX

OPTION PWB 129832-5

S8-2	S8-3	FUNCTION
ON	ON	PIN 19 BUSY LOW
ON	OFF	PIN 19 BUSY HIGH
OFF	ON	NOT ALLOWED
OFF	OFF	BUSY NOT ACTIVE*

*UNIT SENSES PRINTER AS NEVER BUSY

04A
S8 - PRINTER BUSY

PIN 20 CTRL DSA { 1 0 } PIN 20 CTRL ENA
 PIN 19 BUSY CTRL { 2 0 } PIN 19 BUSY CTRL
 { 3 0 }

02L
S1 - SERIAL PRINTER WORD FORMAT

03L
S2 - SYNC/ASYNC MODE

05L
S3 - 1ST POLLING ADDRESS

06L
S4 - 2ND POLLING ADDRESS

08L
S5 - 1ST GROUP POLL ADDR

09L
S6 - 2ND GROUP POLL ADDR

011L
S7 - GROUP SELECT ADDR

PARALLEL PRINTR ENA
 BUFFERED PRINT MODE
 EVEN-BUFFERED PRINT
 ODD PARITY
 1 STOP BIT
 2 STOP BITS
 7 DATA BITS
 8 DATA BITS
 RESERVED
 AUXILIARY RCVE INPUT ENA

LOGIC ONE BITS
 LOGIC ZERO BITS
 SYNC ENA
 ASYNC ENA

LOGIC ONE BITS
 LOGIC ZERO BITS
 DSA POLLING
 ENA POLL BUFFER

LOGIC ONE BITS
 LOGIC ZERO BITS
 DSA

LOGIC ONE BITS
 LOGIC ZERO BITS
 DSA

LOGIC ONE BITS
 LOGIC ZERO BITS
 DSA

BAUD RATE

7	14
---	----

PRINTER MODEM
(STD DEFAULT SETTING)

BAUD RATE	SWITCH POSITION
50	0
75	1
110	2
134.5	3
150	4
300	5
600	6
1200	7
1800	8
2000	9
2400	10
3600	11
4800	12
7200	13
9600	14
X	15

THE LOCATIONS AND FACTORY SETTINGS OF THE CONFIGURATION CONTROL SWITCHES SHOWN APPLY TO:
 PRINTED WIRING BOARD 129830-7
 OPTIONAL PRINTED WIRING BOARD 129832-5
 IF YOU NEED TO MAKE CHANGES, PLEASE REFER TO THE OPERATORS MANUAL.

NOTES: 1. Switch Position ON = Closed = Logical 0
 2. Switch Position OFF = Open = Logical 1
 3. ● = Standard ○ = Optional ■ = Reserved

CAUTION

IN COLD CLIMATES, CARE SHOULD BE EXERCISED TO ALLOW THE TEMPERATURE OF THE TERMINAL TO EQUALIZE WITH ROOM TEMPERATURE BEFORE REMOVING THE UNIT FROM THE SHIPPING CARTON; THIS WILL PREVENT MOISTURE FROM CONDENSING ON A COLD TERMINAL EXPOSED TO WARM A.R. AVOID OPERATING THE UNIT ON A SOFT SURFACE, SUCH AS CARPETING, WHICH WOULD OBSTRUCT THE FLOW OF COOLING AIR UP THROUGH THE BOTTOM OF THE CHASSIS. THIS COULD RESULT IN OVERHEATING AND DAMAGE TO THE UNIT.

		UNLESS OTHERWISE SPECIFIED: DIM. IN INCHES	CONTR NO.
		TOLERANCES: .X±.1 .XX±.03 XXX±.010 ANGLES ±0.5°	DR [Signature]
DASH NO.	NEXT ASSY	USED ON	CHK
	APPLICATION		DSGN
			ENGR [Signature]
			PROJ [Signature]
			REL [Signature]
PROPRIETARY LEGEND			APPD
EXCEPT AS MAY BE OTHERWISE AUTHORIZED BY CONTRACT, THESE DRAWINGS AND SPECIFICATIONS ARE THE PROPERTY OF LEAR SIEGLER, INC. ARE ISSUED IN STRICT CONFIDENCE, AND SHALL NOT BE REPRODUCED, COPIED, OR USED FOR THE MANUFACTURE OR SALE OF THE APPARATUS WITHOUT WRITTEN PERMISSION.			APPD

LEAR SIEGLER, INC.
 DATA PRODUCTS DIVISION
 ANAHEIM, CALIFORNIA 92803

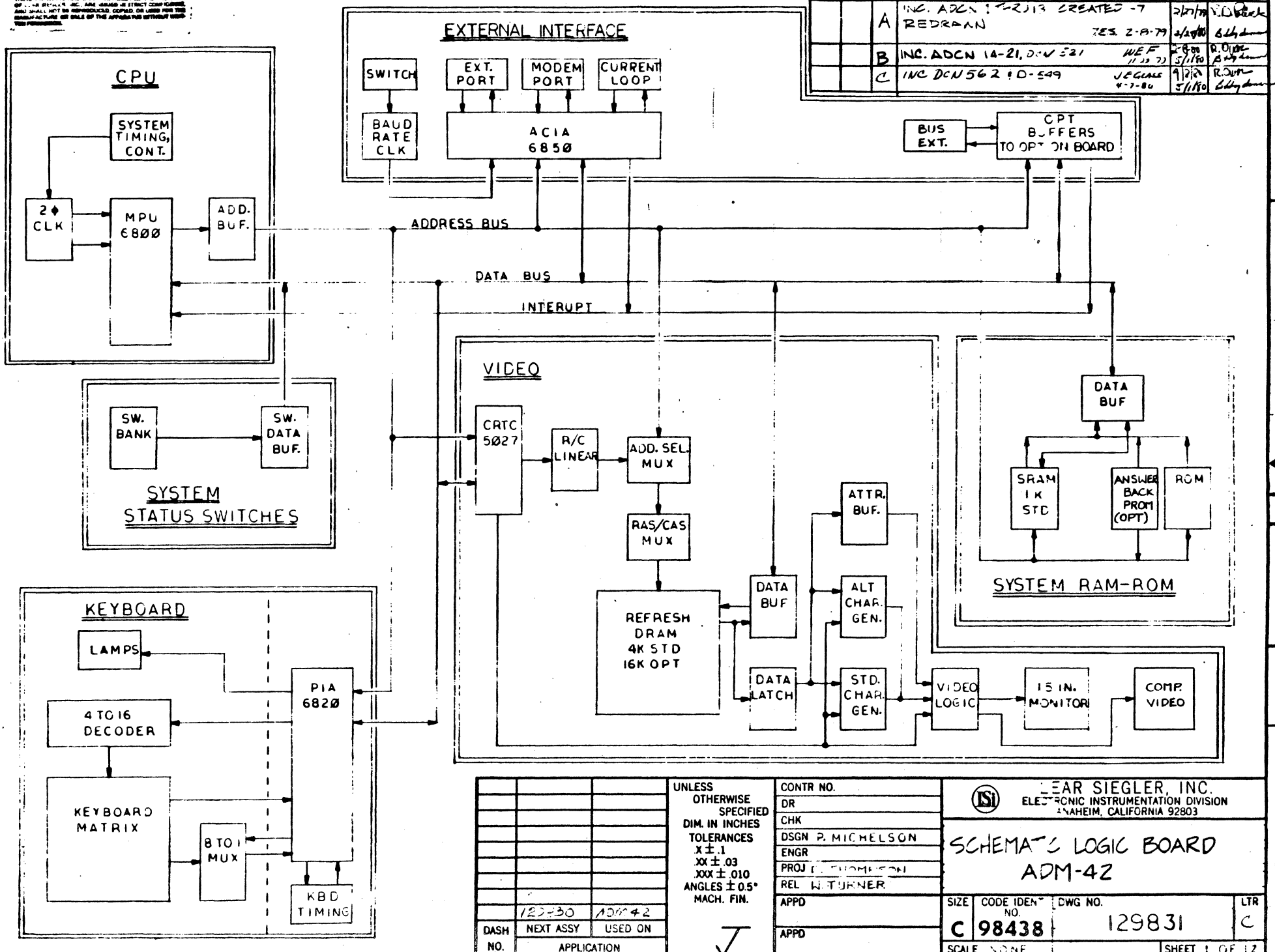
ADM-42 CONFIGURATION CONTROL SWITCH SETTINGS

SIZE	FSCM NO.	DWG NO.	LTR
C	98438	CSI29830-7	B
SCALE			SHEET 1 OF 1

PROPRIETARY LOGIC
 EXCEPT AS MAY BE OTHERWISE AUTHORIZED BY CONTRACT, THESE DRAWINGS AND SPECIFICATIONS ARE THE PROPERTY OF LEAR SIEGLER, INC. AND ARE TO BE USED ONLY FOR THE MANUFACTURE AND SALE OF THE APPROVED PRODUCT. ANY REPRODUCTION, COPIED, OR USE FOR THE MANUFACTURE OF OTHER THAN THE APPROVED PRODUCT WITHOUT WRITTEN PERMISSION IS STRICTLY PROHIBITED.

REVISONS			DATE	APPROVED
A	INC. DCN 1-2113 CREATED - 7	REDRAWN	2/27/79	R. O. Turner
B	INC. DCN 14-21, D-11-521		2-9-79	R. O. Turner
C	INC. DCN 562 & D-549		5/1/80	R. O. Turner

D
C
B
A



DASH NO.	NEXT ASSY	USED ON APPLICATION
129-30	ADM-42	

UNLESS OTHERWISE SPECIFIED
 DIM. IN INCHES
 TOLERANCES
 X ± .1
 .XX ± .03
 .XXX ± .010
 ANGLES ± 0.5°
 MACH. FIN.

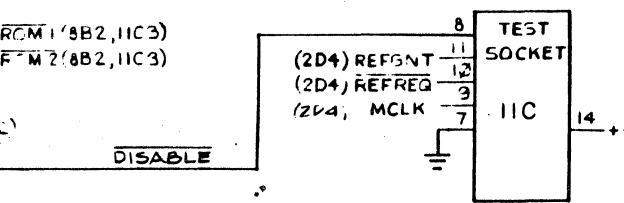
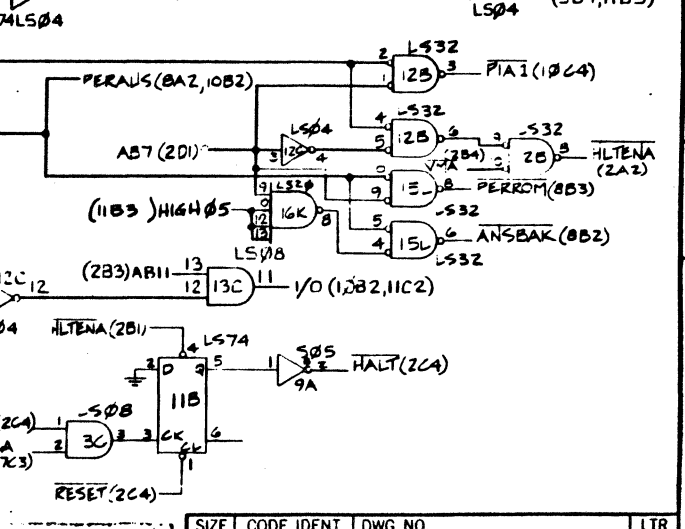
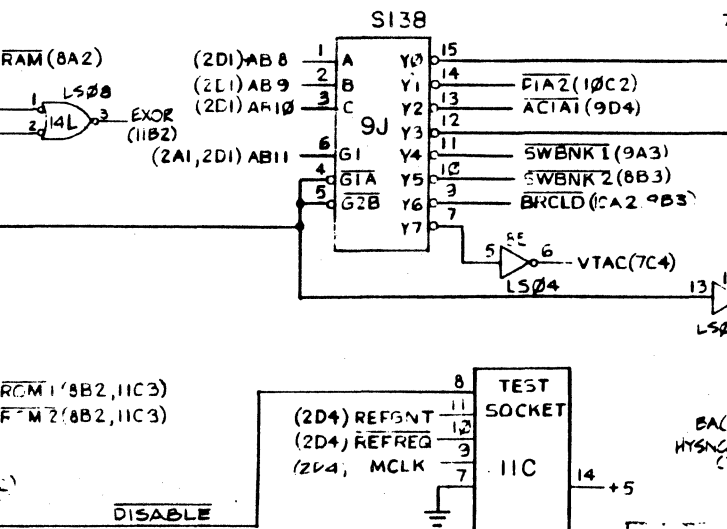
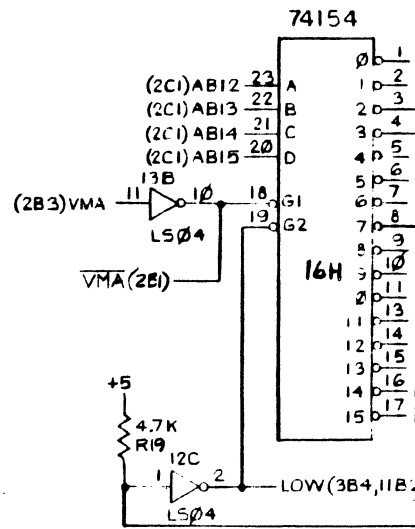
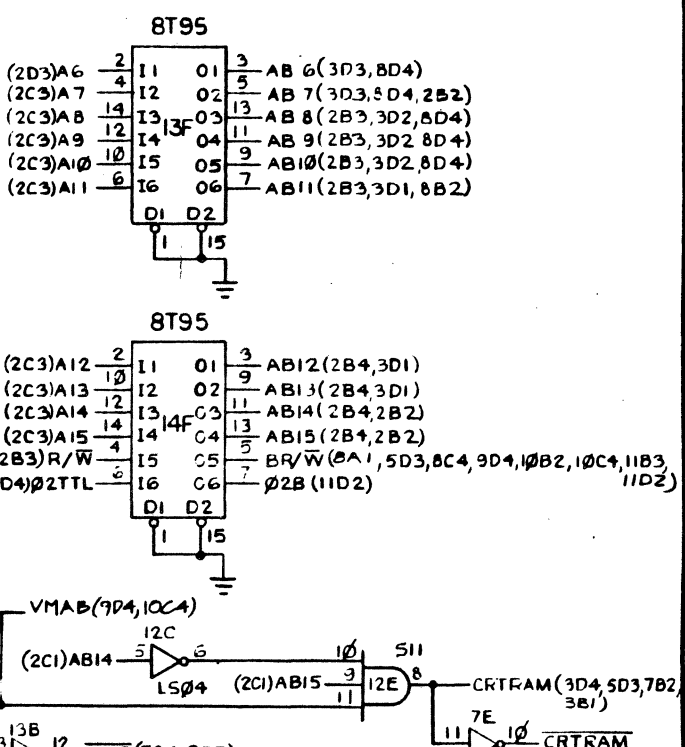
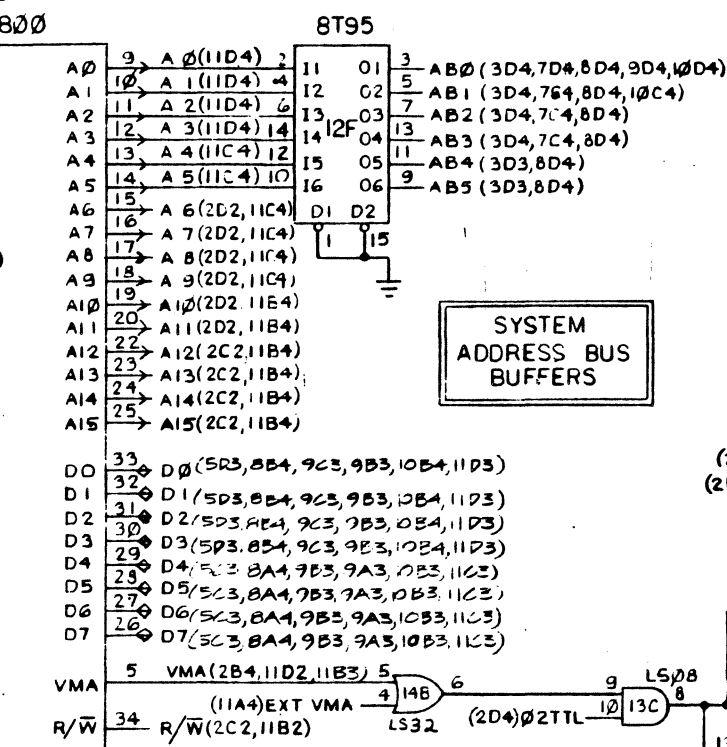
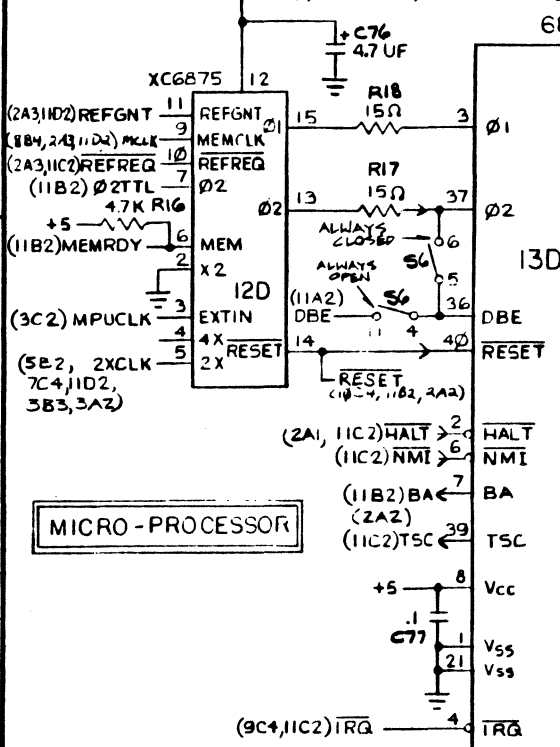
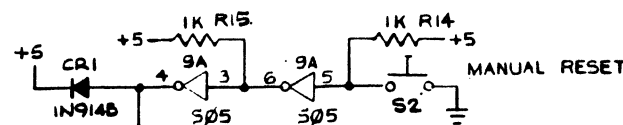
CONTR. NO.	DR
CHK	DSGN P. MICHELSON
ENGR	PROJ. W. THOMSON
REL. W. TURNER	APPD
APPD	APPD

LEAR SIEGLER, INC.
 ELECTRONIC INSTRUMENTATION DIVISION
 NAHEIM, CALIFORNIA 92803

SCHEMATIC LOGIC BOARD
ADM-42

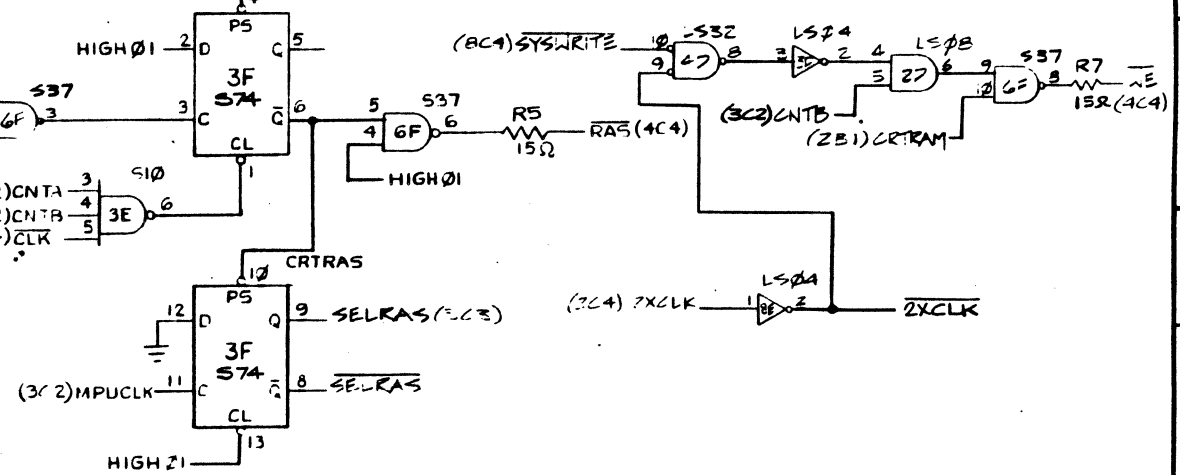
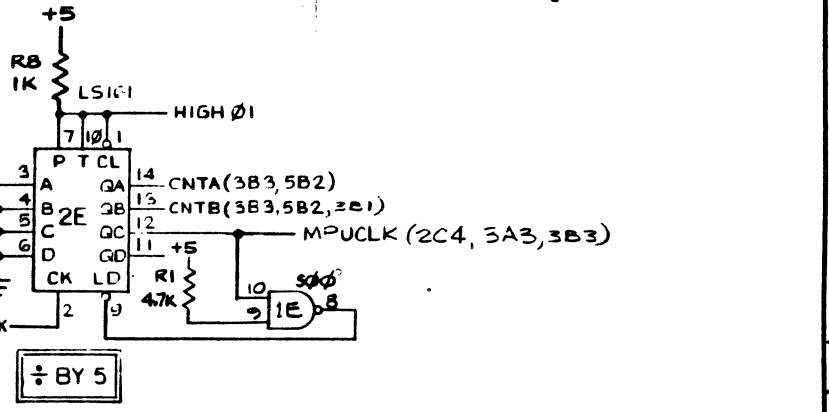
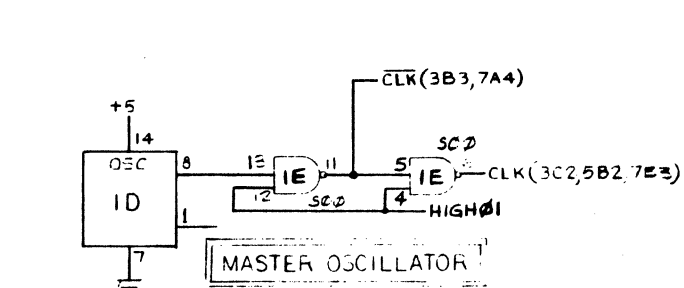
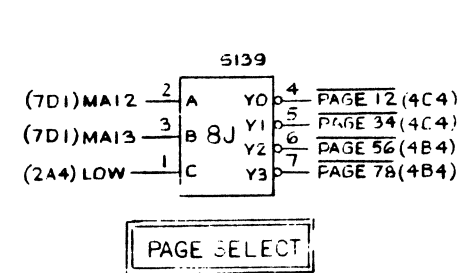
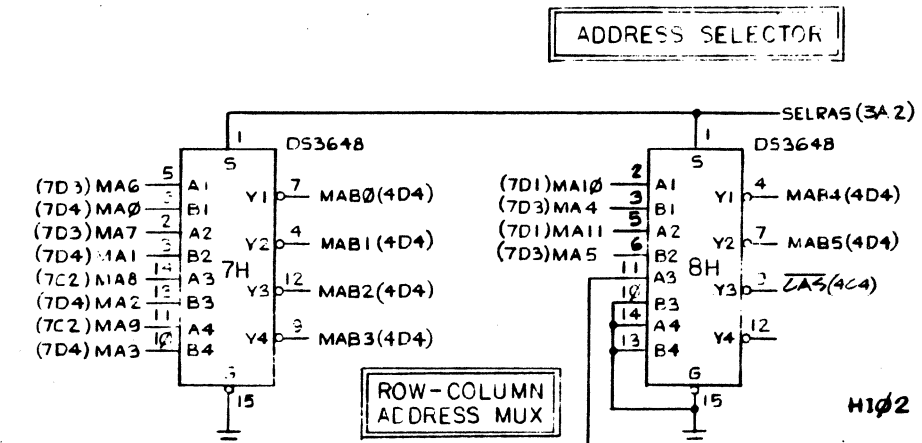
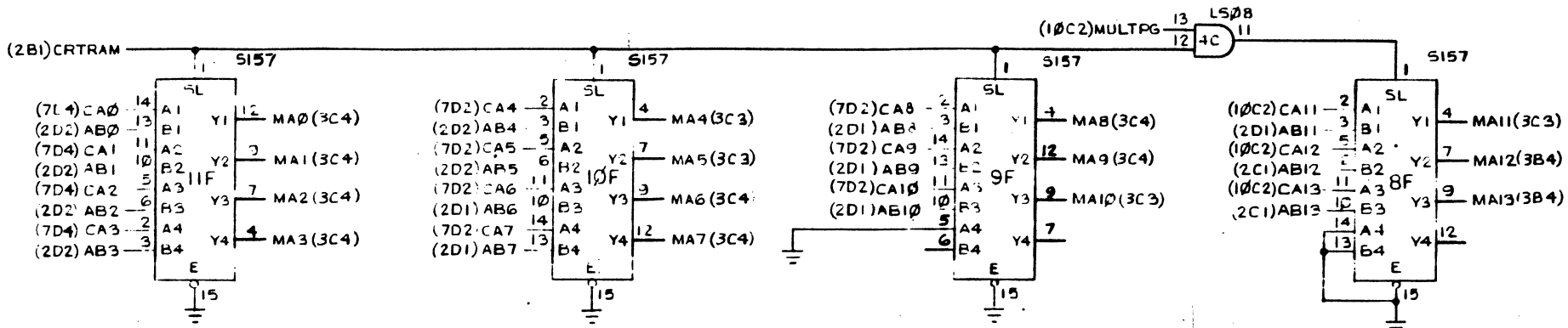
SIZE	CODE IDENT NO.	DWG. NO.	LTR
C	98438	129831	C
SCALE NONE			SHEET 1 OF 12

D
C
B
A



PROPRIETARY LOGIC
SECRET AS MAY BE OTHERWISE AUTHORIZED BY CONTRACT.
THESE PROGRAMS AND SPECIFICATIONS ARE THE PROPERTY
OF THE U.S. AIR FORCE AND ARE NOT TO BE REPRODUCED,
COPIED, OR TRANSMITTED IN ANY FORM OR BY ANY
MEANS, ELECTRONIC OR MECHANICAL, INCLUDING
PHOTOCOPYING, RECORDING, OR BY ANY INFORMATION
SYSTEMS WITHOUT PERMISSION OF THE U.S. AIR FORCE.

SIZE	CODE IDENT NO.	DWG NO.	LTR
C	98438	129831	C
SCALE NONE	SHEET 2		



D

(3C3) MAB5
(3C3) MAB4
(3C4) MAB3
(3C4) MAB2
(3C4) MAB1
(3C4) MAB0

C

(3C3) CAS
(3E1) WE
(3B2) RAS
(3B4) PAGE12

B

(3B4) PAGE 34

(3B4) PAGE 56

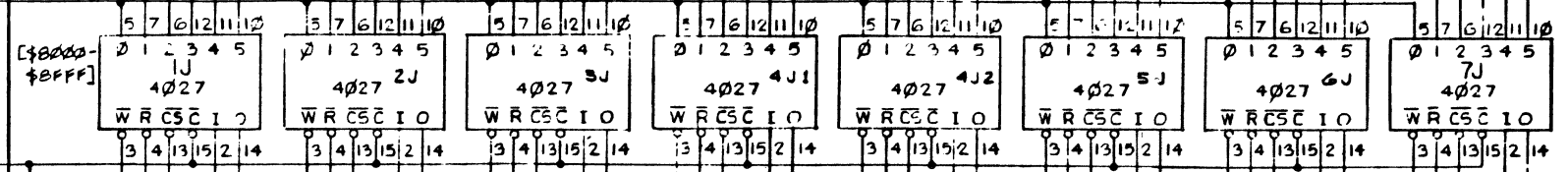
(3B4) PAGE 78

A

+5

C10	C11	C2	C13	C14	C15	C43	C44	C45	C46	C47	C48	C49	C50	C62	C65	C17	C18	C20	C22	C24	C26	C30
10UF	10UF	10UF	10UF	10UF	10UF	10UF	10UF	10UF	10UF	10UF	10UF	10UF	10UF	10UF	10UF	10UF	10UF	10UF	10UF	10UF	10UF	10UF

C53	C58	C61	C64	C66	C67	C68	C69	C70	C88	C92	C94	C97
10UF	10UF	10UF	10UF	10UF	10UF	10UF	10UF	10UF	10UF	10UF	10UF	10UF

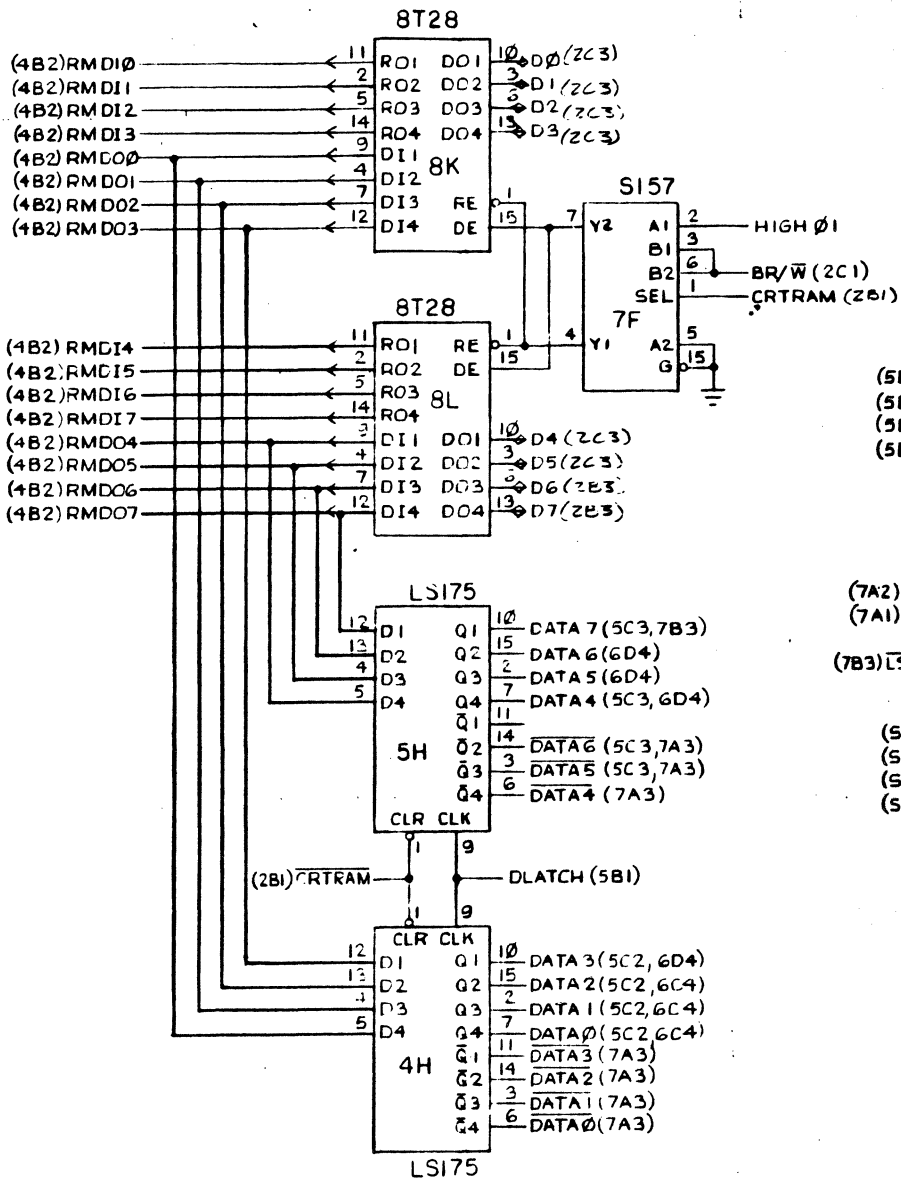


REFRESH MEMORY

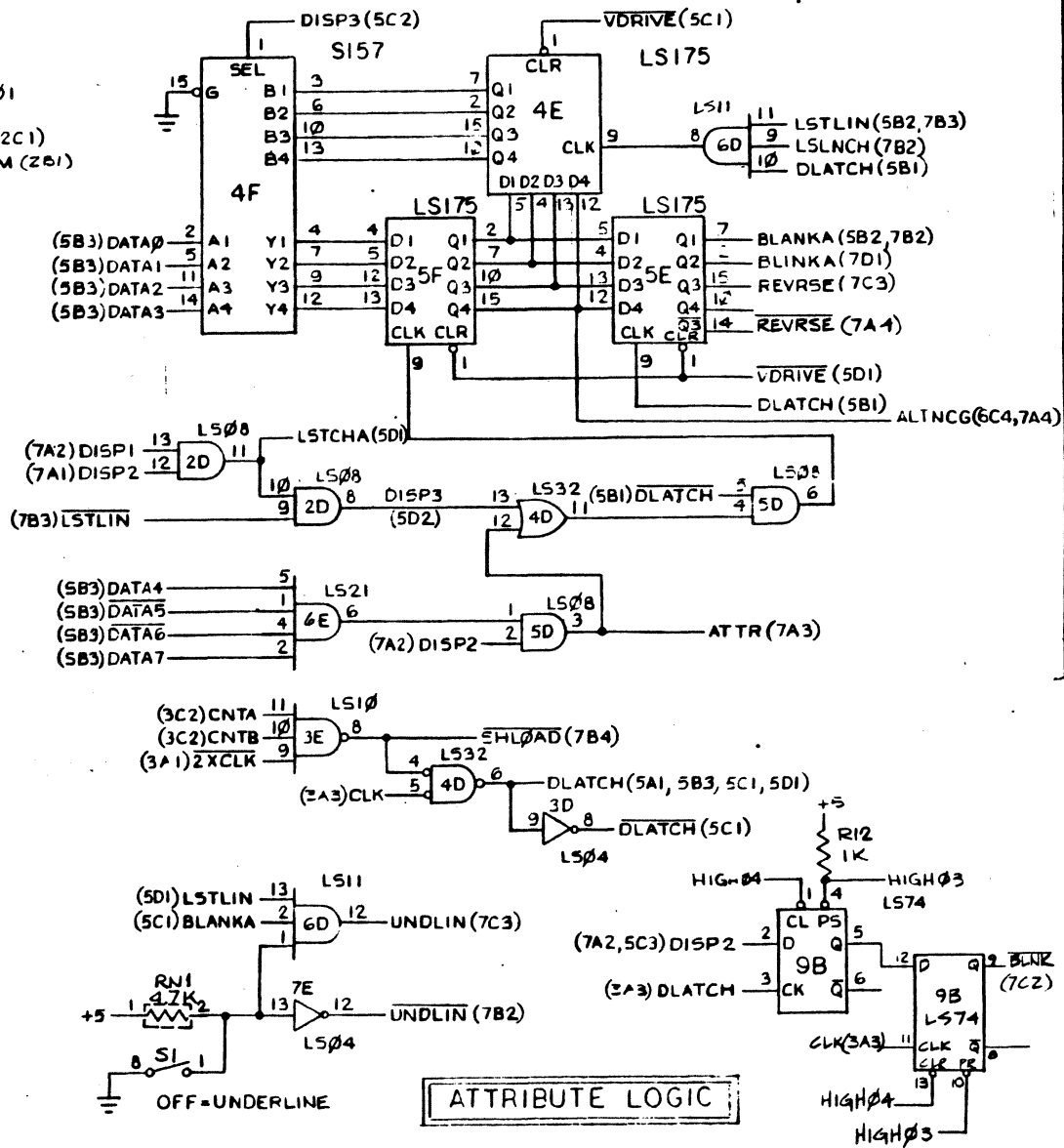
- RMDO 7(5C4)
- RMDI 7(5C4)
- RMDO 6(5C4)
- RMDI 6(5C4)
- RMDO5(5C4)
- RMDI 5(5C4)
- RMDO4(5C4)
- RMDI 4(5C4)
- RMDO3(5D4)
- RMDI 3(5D4)
- RMDO2(5D4)
- RMDI 2(5D4)
- RMDO1(5D4)
- RMDI 1(5D4)
- RMDO0(5D4)
- RMDI 0(5D4)

PROPRIETARY LOGO

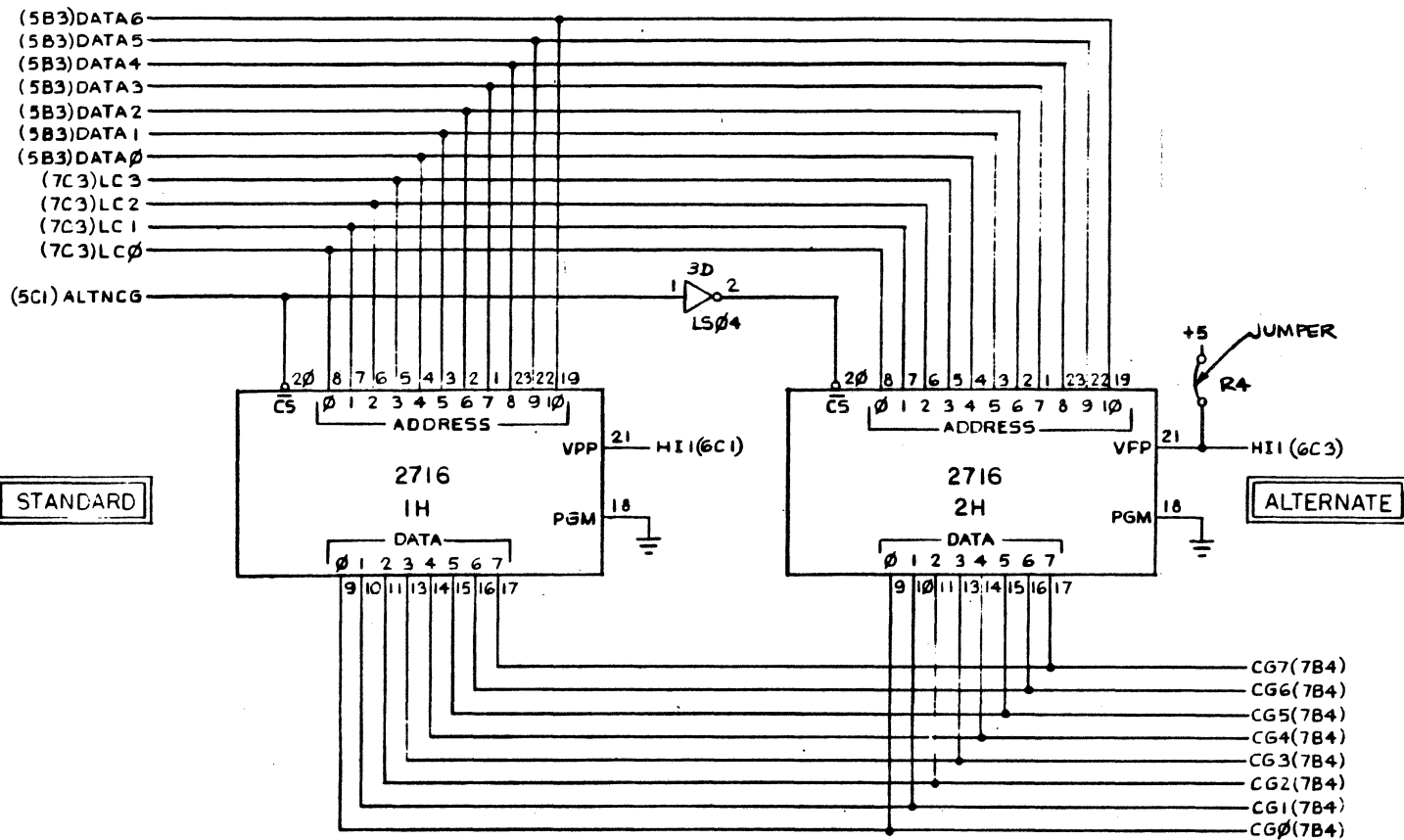
SIZE	CODE IDENT NO	DWG NO.	LTR
C	98438	129831	C
SCALE NONE		SHEET 4	



REFRESH MEMORY
DATA BUFFER & LATCH



ATTRIBUTE LOGIC



CHARACTER GENERATOR

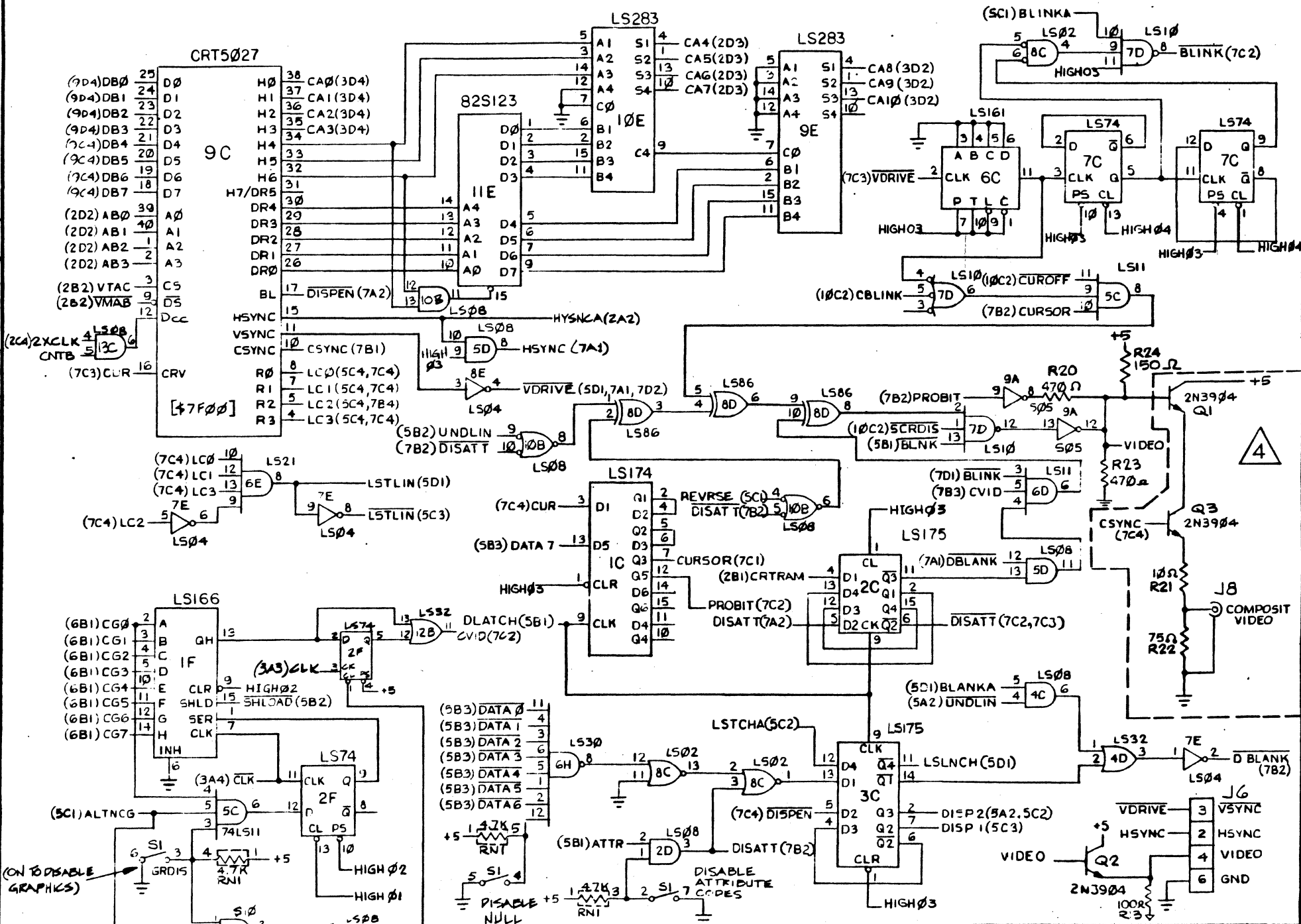
SIZE	CODE IDENT NO.	DWG NO.	LTR
C	98438	129831	C
SCALE NONE		SHEET 6	

D

C

B

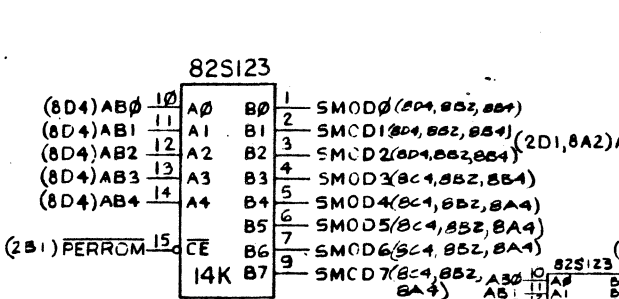
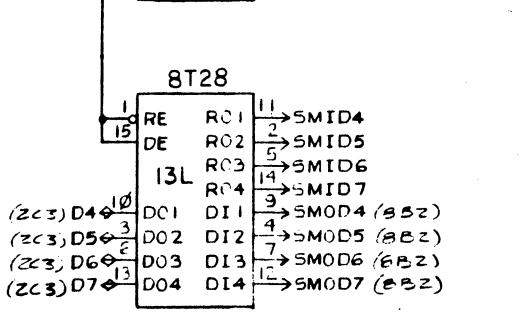
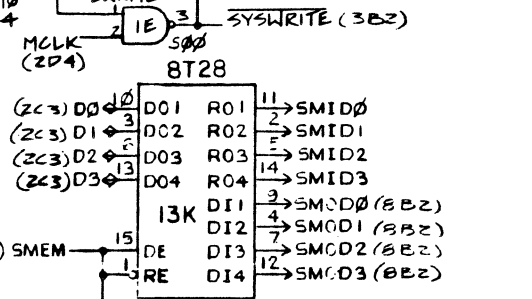
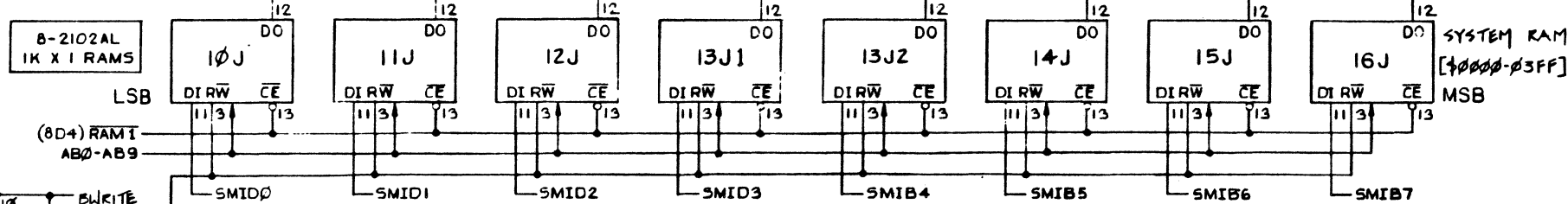
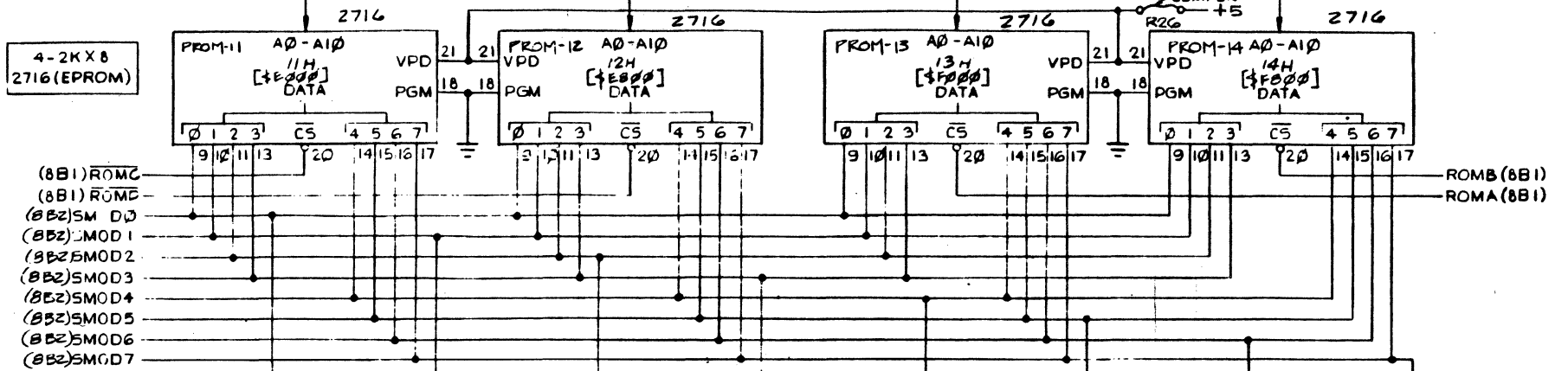
A



VIDEO GENERATION

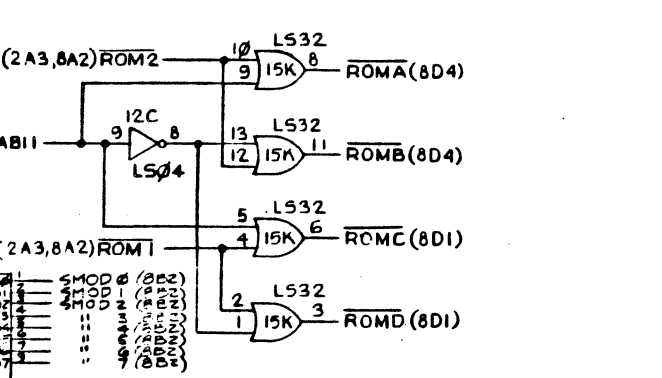
SIZE	CODE IDENT.	SWG. NO.	LTR
C	98438	129831	C
SCALE	NONE	SHEET	7

(203-201,8C4,8B3)AB0-AB10

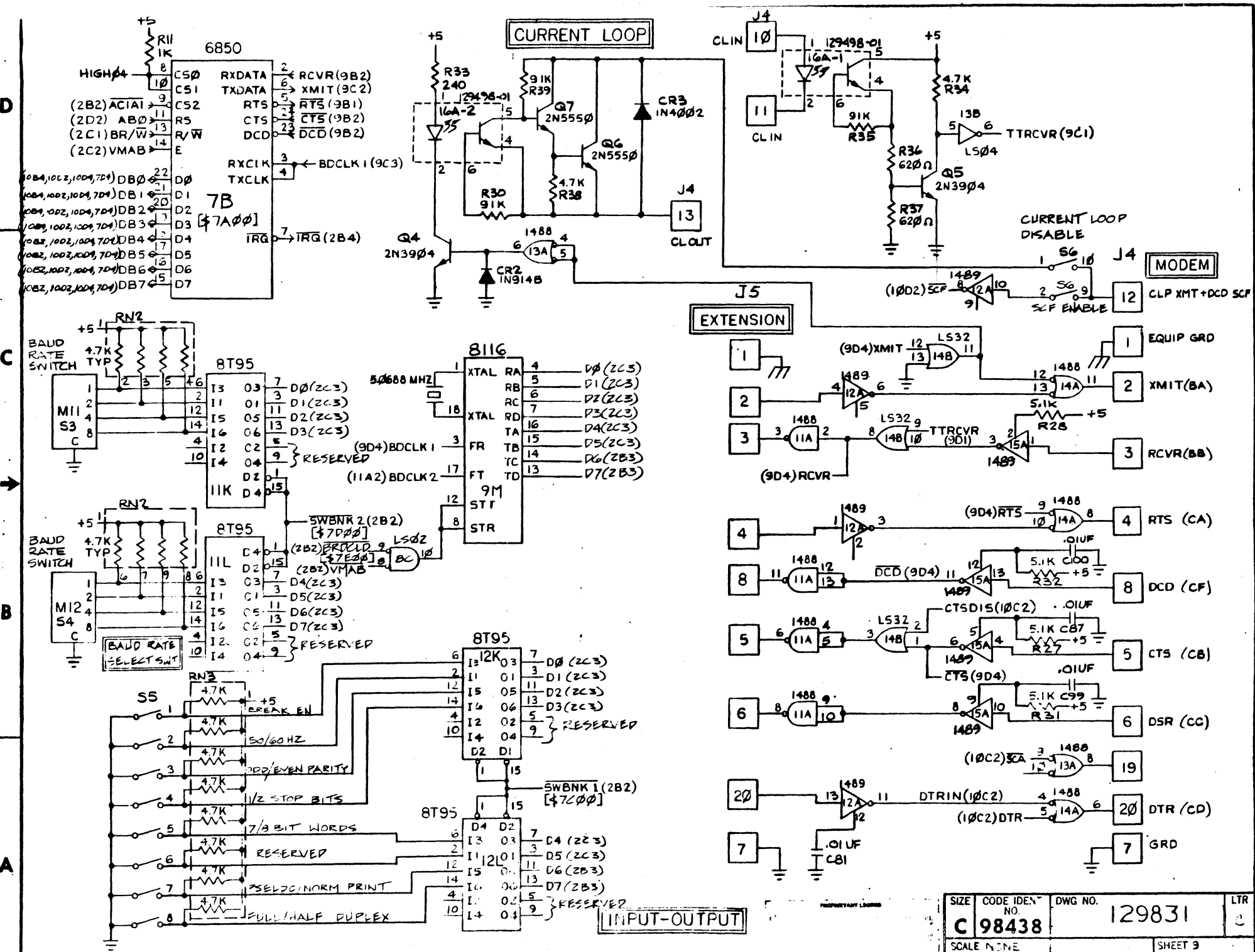


2102 PINOUT	
ADDRESS	PIN
0	4
1	8
2	5
3	2
4	15
5	6
6	7
7	14
8	1
9	16

2716 PINOUT	
ADDRESS	PIN
0	8
1	7
2	6
3	5
4	4
5	3
6	2
7	1
8	23
9	22
10	19

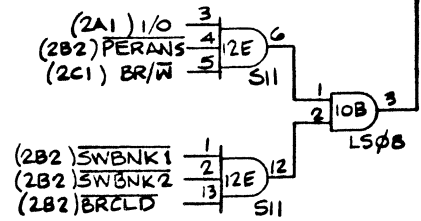
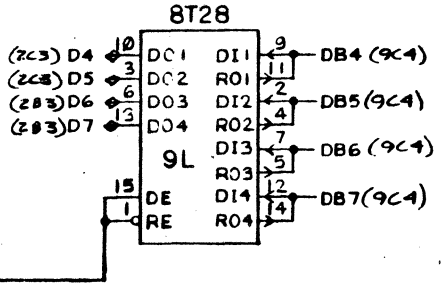
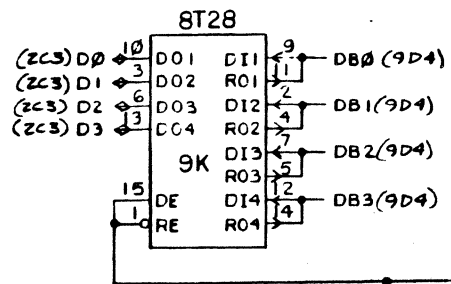
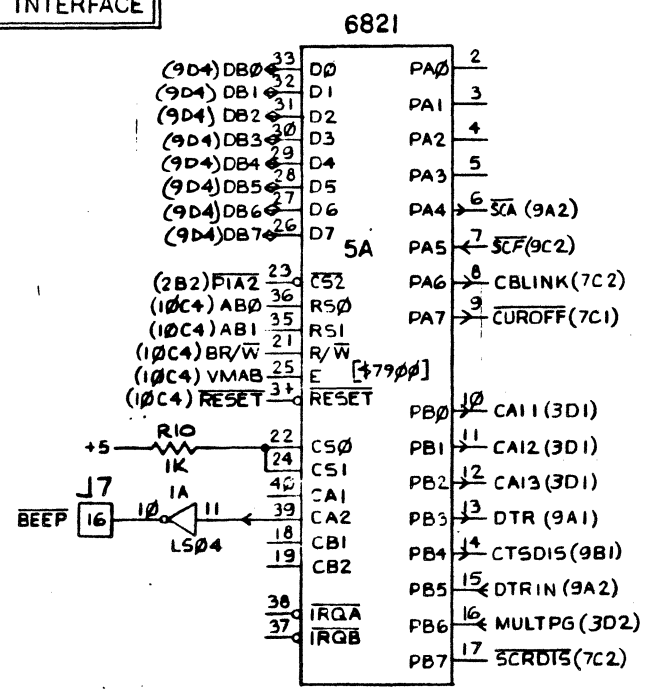
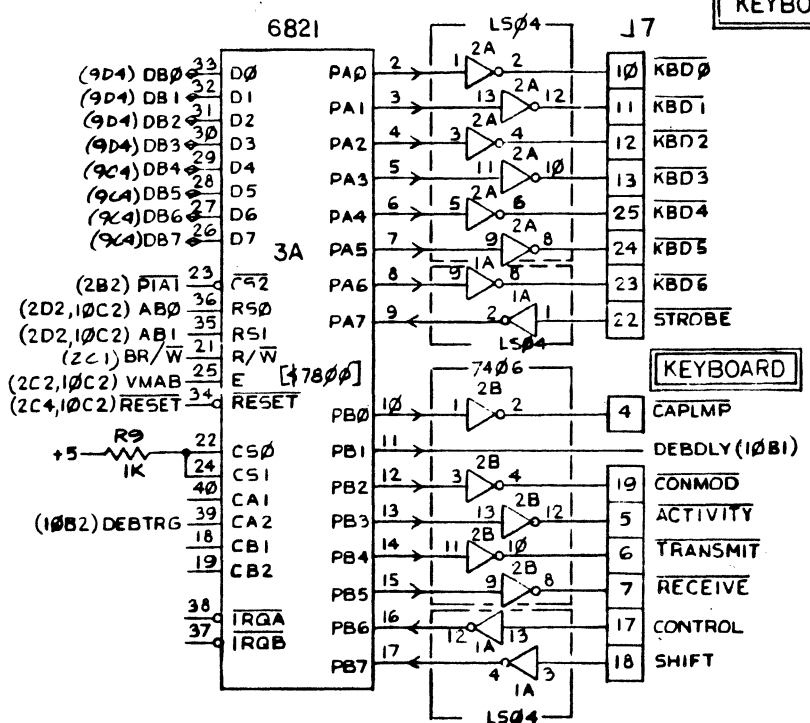


SYSTEM ROM & RAM

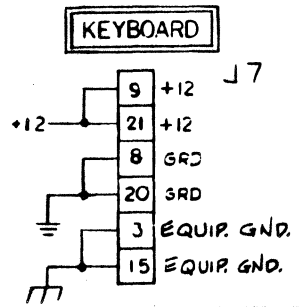
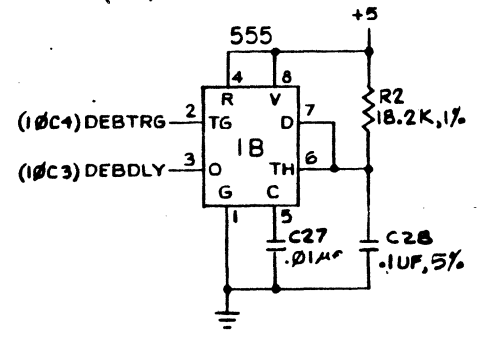


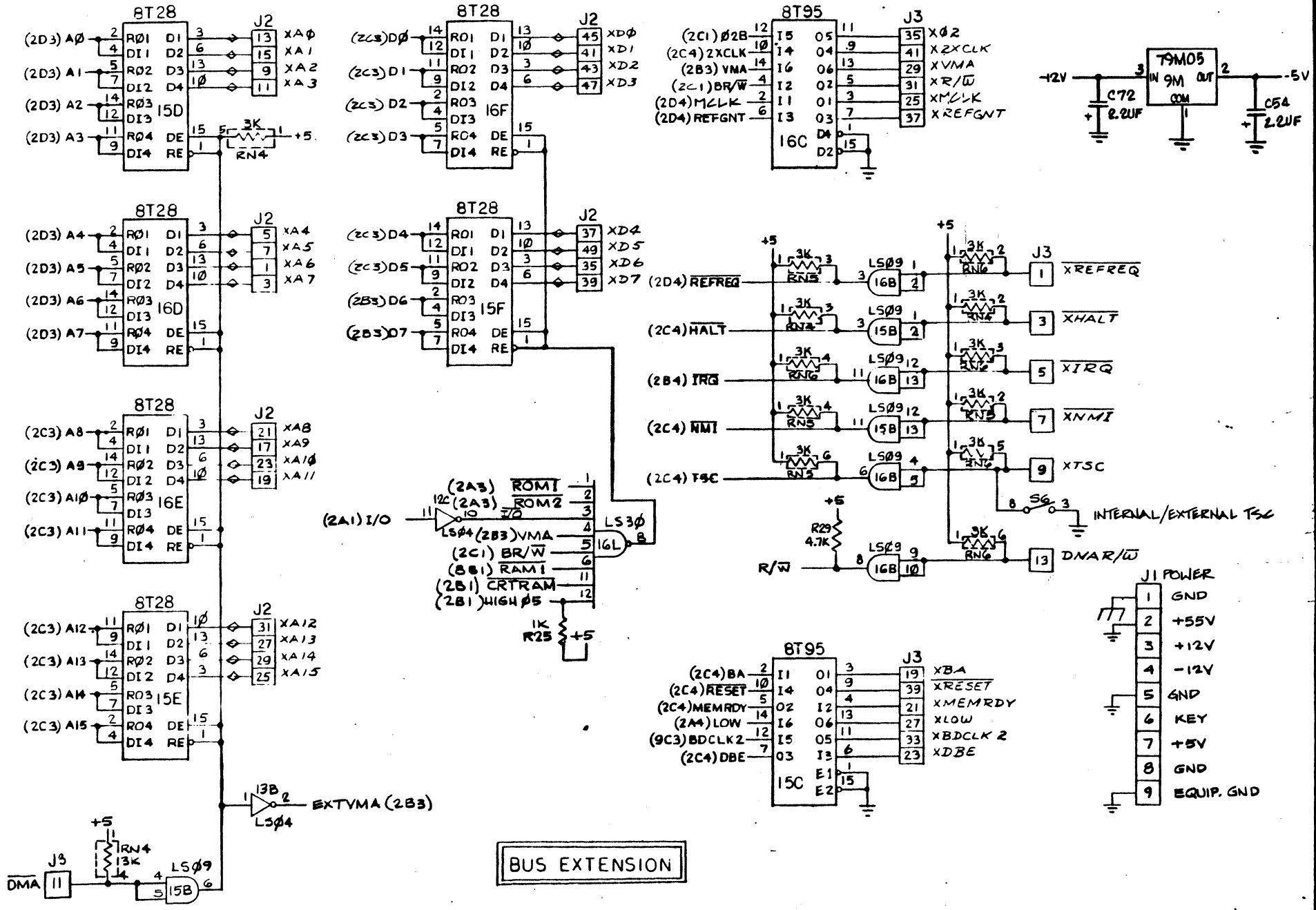
SIZE	CODE	IDENT NO.	DWG NO.	LTR
C	98438		129831	e
SCALE NONE			SHEET 9	

KEYBOARD INTERFACE



DATA BUS BUFFER





BUS EXTENSION

SIZE	CODE IDENT NO.	DWG NO.	LTR
C	98438	129831	C
SCALE NONE		SHEET 11	

J1 POWER

PIN NO.	FUNCTION	SHEET
1	GRD	11B1
2	+55	"
3	+12V	"
4	-12V	"
5	GRD	"
6	KEY	"
7	+5V	11A1
8	GRD	"
9	EQUIP. GRD	"

J2 ADDRESS/DATA BUS

SHEET	FUNCTION	PIN NO.	PIN NO.	FUNCTION	SHEET
11C4	A6	1	2	GRD	
11C4	A7	3	4		
11C4	A4	5	6		
11C4	A5	7	8		
11D4	A2	9	10		
11D4	A3	11	12		
11D4	A0	13	14		
11D4	A1	15	16		
11C4	A9	17	18		
11C4	A11	19	20		
11C4	A8	21	22		
11C4	A10	23	24		
11B4	A15	25	26		
11B4	A13	27	28		
11B4	A14	29	30		
11B4	A12	31	32		
	GRD	33	34		
11C3	D6	35	36		
11C3	D4	37	38		
11C3	D7	39	40		
11D3	D1	41	42		
11D3	D2	43	44		
11D3	D0	45	46		
11D3	D3	47	48		
11C3	D5	49	50	GRD	

J3 CONTROL SIGNALS

SHEET	FUNCTION	PIN NO.	PIN NO.	FUNCTION	SHEET
11C1	REFREQ	1	2	GRD	
11C1	HALT	3	4		
11C1	IRQ	5	6		
11C1	NMI	7	8		
11C1	TSC	9	10		
11A3	DTA	11	12		
11B1	DMAR/W	13	14		
	NU	15	16		
	GRD	17	18		
11B1	BA	19	20		
11B1	MEMRDY	21	22		
11A1	DBE	23	24		
11D2	MCLK	25	26		
11B1	LOW	27	28		
11D2	VMA	29	30		
11D2	R/W	31	32		
11B1	BDCLK2	33	34		
11D2	Ø2	35	36		
11D2	REFGNT	37	38		
11B1	RESET	39	40		
11D2	ZXCLK	41	42		
	GRD	43	44		
	GRD	45	46		
	GRD	47	48		
	GRD	49	50	GRD	

J4 MODEM

PIN NO.	FUNCTION	SHEET
1	EQUIP. GRD	9C1
2	XMIT(BA)	9C1
3	RCVR(BB)	9C1
4	RTS (CA)	9B1
5	CTS (CB)	9B1
6	DSR (CC)	9B1
7	GRD	9A1
8	DCD (CF)	9B1
9	NU	
10	CLIN	9D2
11	CLIN	9D2
12	CL OUT	9C1
13	CL OUT	9D2
14	NU	
15		
16		
17		
18	NU	
19	SCLA	9A1
20	DTR (CD)	9A1
21	NU	
22		
23		
24		
25	NU	

J5 EXTENSION

PIN NO.	FUNCTION	SHEET
1	EQUIP. GRD	9C2
2	XMIT(BB)	9C2
3	RCVR(BA)	9C2
4	RTS (CA)	9B2
5	CTS (CB)	9B2
6	DSR (CC)	9B2
7	GRD	9A2
8	DCD (CF)	9B2
9	NU	
10		
11		
12		
13		
14		
15		
16		
17		
18		
19	NU	
20	DTR (CD)	9A2
21	NU	
22		
23		
24		
25	NU	

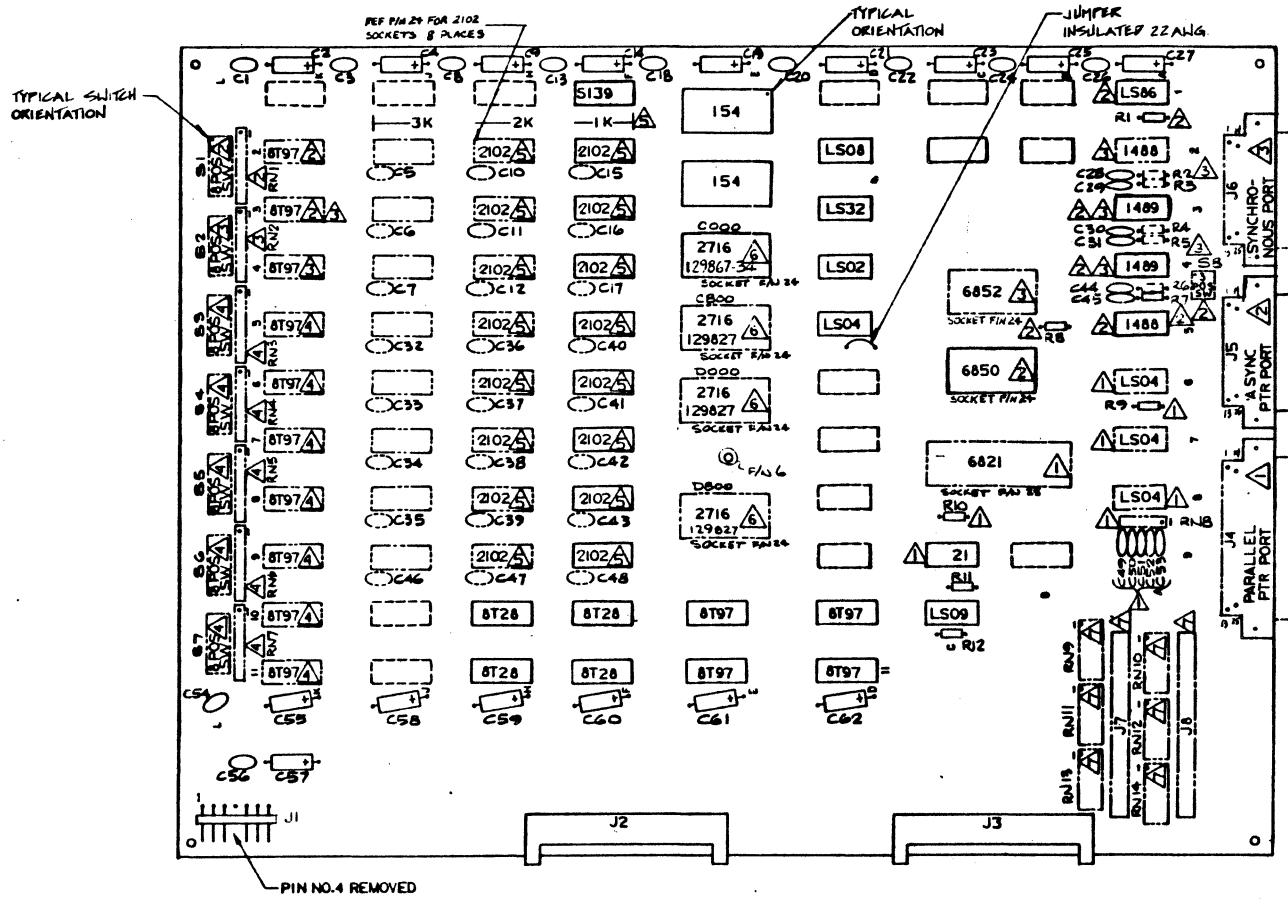
J6 MONITOR

PIN NO.	FUNCTION	SHEET
1	EQUIP. GRD	7C1
2	HSYNC	7A1
3	VSYNC	7A1
4	VIDEO	7A1
5	+55	7C1
6	GRD	7A1
7	GRD	7C1
8	GRD	7C1
9	+55	7C1

J7 KEYBOARD

PIN NO.	FUNCTION	SHEET
1	EQUIP. GND	
2	NU	
3	EQUIP. GND.	10A1
4	CAPLMP	10C3
5	ACTIVITY	10C3
6	TRANSMIT	10C3
7	RECEIVE	10C3
8	GRD	10A1
9	+12	10B1
10	KBD0	10D3
11	KBD1	10D3
12	KBD2	10D3
13	KBD3	10D3
14	NU	
15	EQUIP. GND.	10A1
16	BEEP	10C2
17	CONTROL	10C3
18	SHIFT	10C3
19	CONMOD	10C3
20	GRD	10A1
21	+12	10A1
22	STROBE	10C3
23	KBD6	10C3
24	KBD5	10D3
25	KBD4	10D3

REVISIONS					
SMT	ZONE	LTR	DESCRIPTION	DATE	APPROVED
		A	INC. APRN 1-G	2-21-79	[Signature]
		B	INC. DCN 780, DCN 414, 435 WE FINE - 2-21-80	2-21-80	[Signature]
		C	PER DCN 608 (PL CHANGE ONLY) JE GLASS 4-7-80	4-7-80	[Signature]
		D	INC DCN 906	JE GLASS 4-7-80	[Signature]
		E	INC DCN 1181 (PL CHANGE ONLY)	2-21-80	[Signature]
		F	INC DCN 1336	2-21-80	[Signature]
		G	INC DCN # 2149	5-18-80	[Signature]



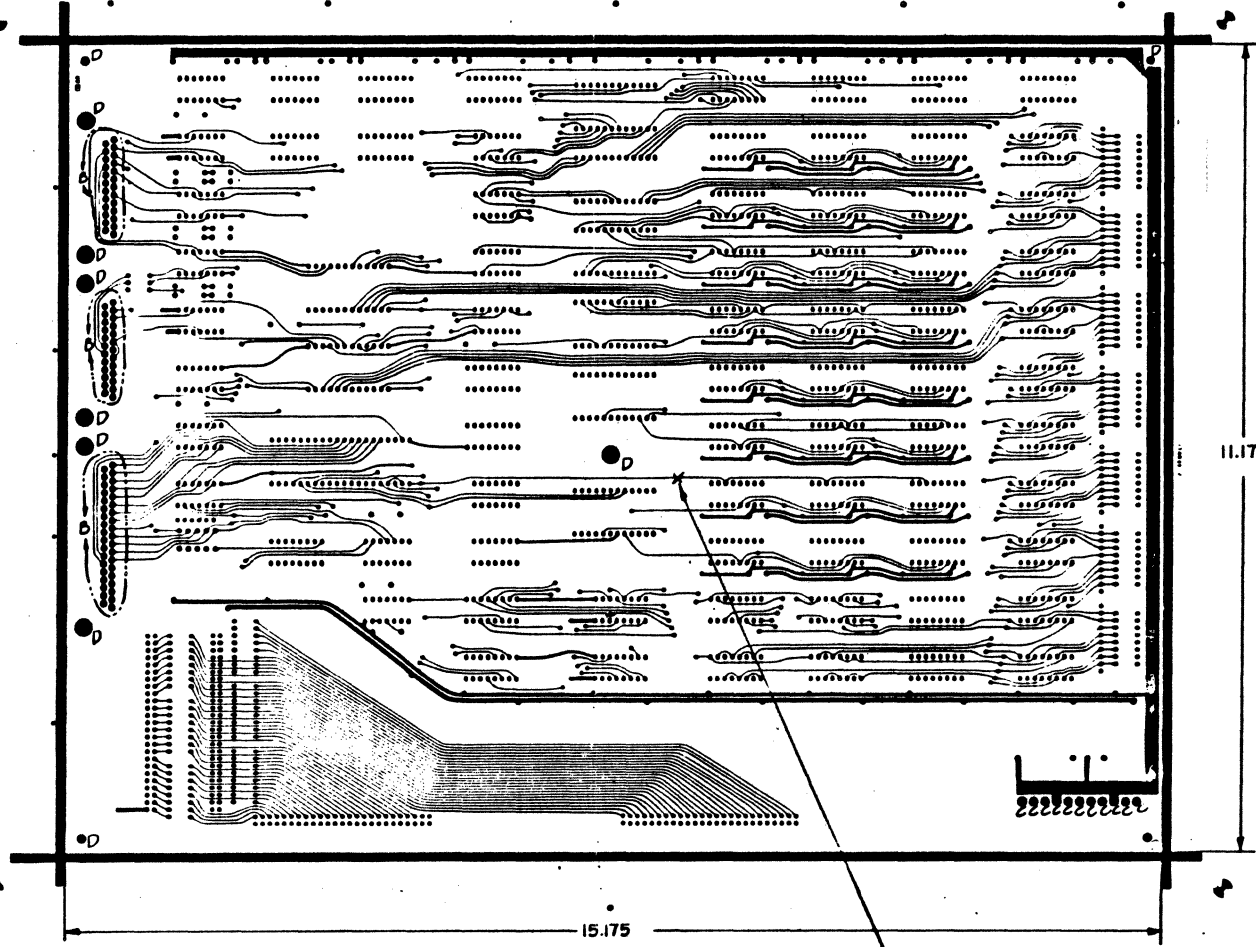
- MODIFICATIONS TO -5BD**
- A. ETCH CUT**
1. CUT TRACE BETWEEN BF-3 & 7B-21 NEAR 9F-3 (SOLDER SIDE) (REF ADGN #4)
- B. ADD JUMPERS (30AWG INSULATED)**
 *1. 5D-1 TO 5D-9
 *2. 5D-8 TO 2D-5
 *3. 2D-6 TO 5D-11
 *4. 5D-10 TO 5F-3
 *5. 11D-3 TO 2D-4
 *6. 5A-8 TO 15-5
 *7. 5A-9 TO 7B-4
- * EFF 164 & UNITS RETURNED FOR REWORK
 * * EFF ALL UNITS
8. FROM 5D-1 TO 5D-9
 9. FROM 5D-8 TO 2D-6
 10. FROM 2D-6 TO 5D-11
 11. FROM 5D-10 TO 5F-3
 12. FROM 11D-3 TO 2D-4

-11 ASSY
(-5BD)

11. FOR OPTIONAL CONFIGURATIONS SEE 129542 OR 131371
 10. FOR SCHEMATIC SEE 129833
- ⚠ BUS EXTENSION (NOT AVAILABLE)
 - Ⓜ PROGRAM PROM.
 - Ⓝ PROGRAMMABLE FUNCTION KEYS (1K STD; 2K OPTIONAL 131371-3-5-2)
 - Ⓜ POLLING ADR. (131371-3-4)
 - Ⓝ SYNCHRONOUS PORT (NOT AVAILABLE)
 - Ⓜ ASYNC PTR PORT. (STD)
 - Ⓜ PARALLEL PTR PORT. (NOT AVAILABLE)
- NOTES: UNLESS OTHERWISE SPECIFIED

SEE SEPARATE PARTS LIST-PL129832

UNLESS OTHERWISE SPECIFIED DIM. IN INCHES TOLERANCES X ± .1 XX ± .03 XXX ± .010 ANGLES ± 0.5° MACH. FIN.		CONTR NO 129832	 LEAR SIEGLER INC ELECTRONIC INSTRUMENTATION DIVISION ANAHEIM, CALIFORNIA 92801	PC BOARD ASSY ADM 42 (OPTION)
-11 98438 DASH NEXT ASSY USED ON NO APPLICATION		APPD D 98438 ARE FULL		



11.175

15.175

CUT ETCH

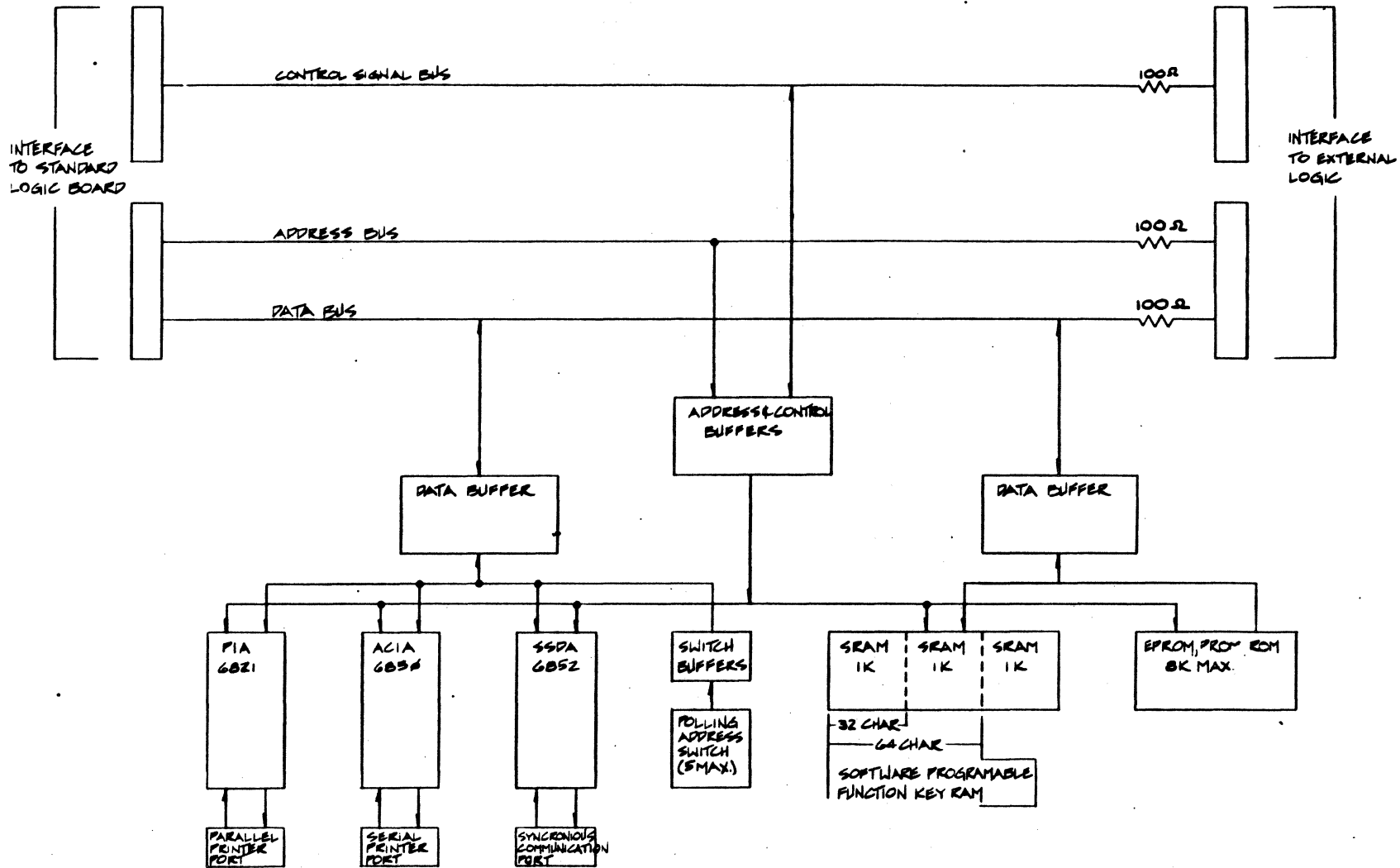
129832-5 DETAIL

- NOTES (FOR SHEET 2)
1. FOR REQUIREMENTS REFER TO 129317 EXCEPT OUTLINE PER THIS SHEET.
 2. HOLE SIZES AS TABULATED:

CODE	DIAMETER		QTY.
	MINIMUM	MAXIMUM	
A	.035	.042	ALL OTHERS
B	.044	.052	87
C	.064	.072	11
D	.128	.136	11

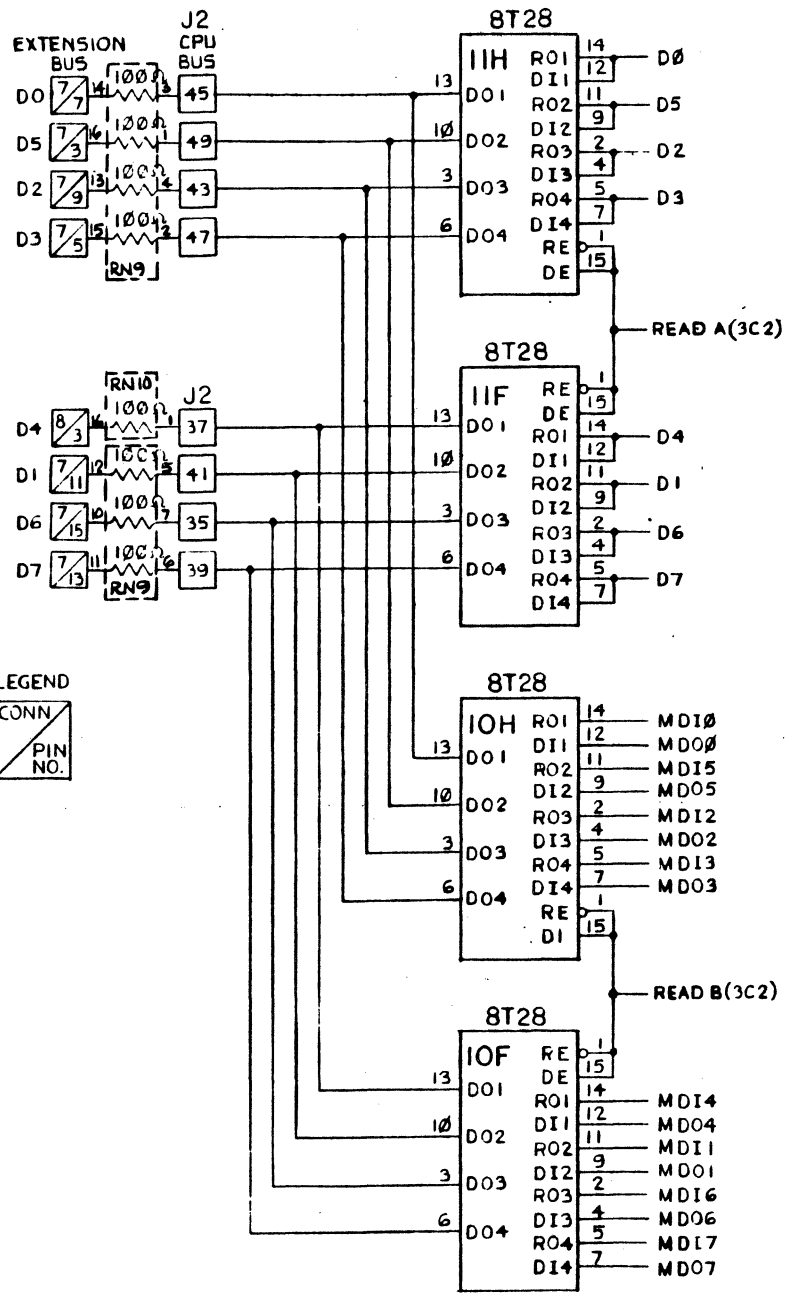
SIZE	CODE IDENT NO	DWG NO	LER
D	98438	129832	G
SCALE	1/1	SHEET 2	

REVISIONS				DATE	APPROVED
SHT	ZONE	LTR	DESCRIPTION		
		A	INC. ADCN 1 THRU 4. ADD COMP. REF. DES. PER DCN	11/25/78 11/29/78 5/17/79	R. OWENS B. J. HARRIS

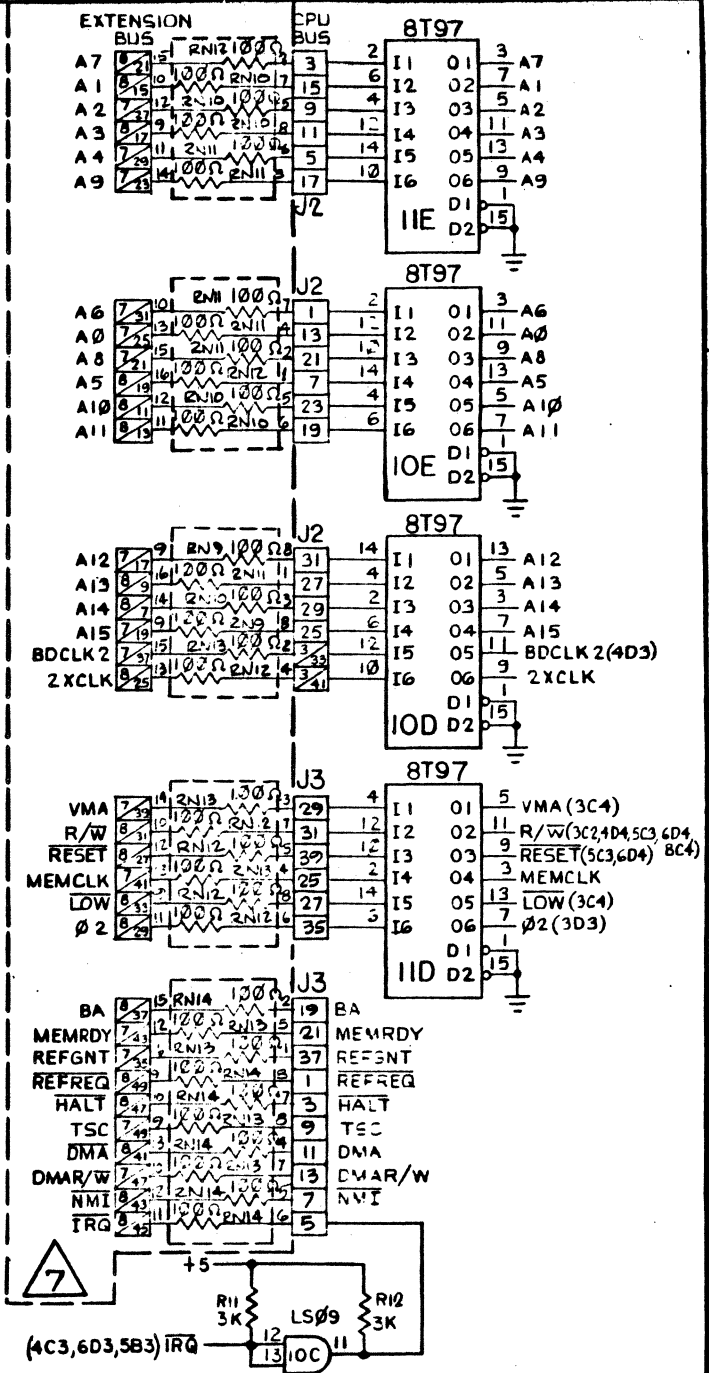


FOR NOTES SEE SHEET 3

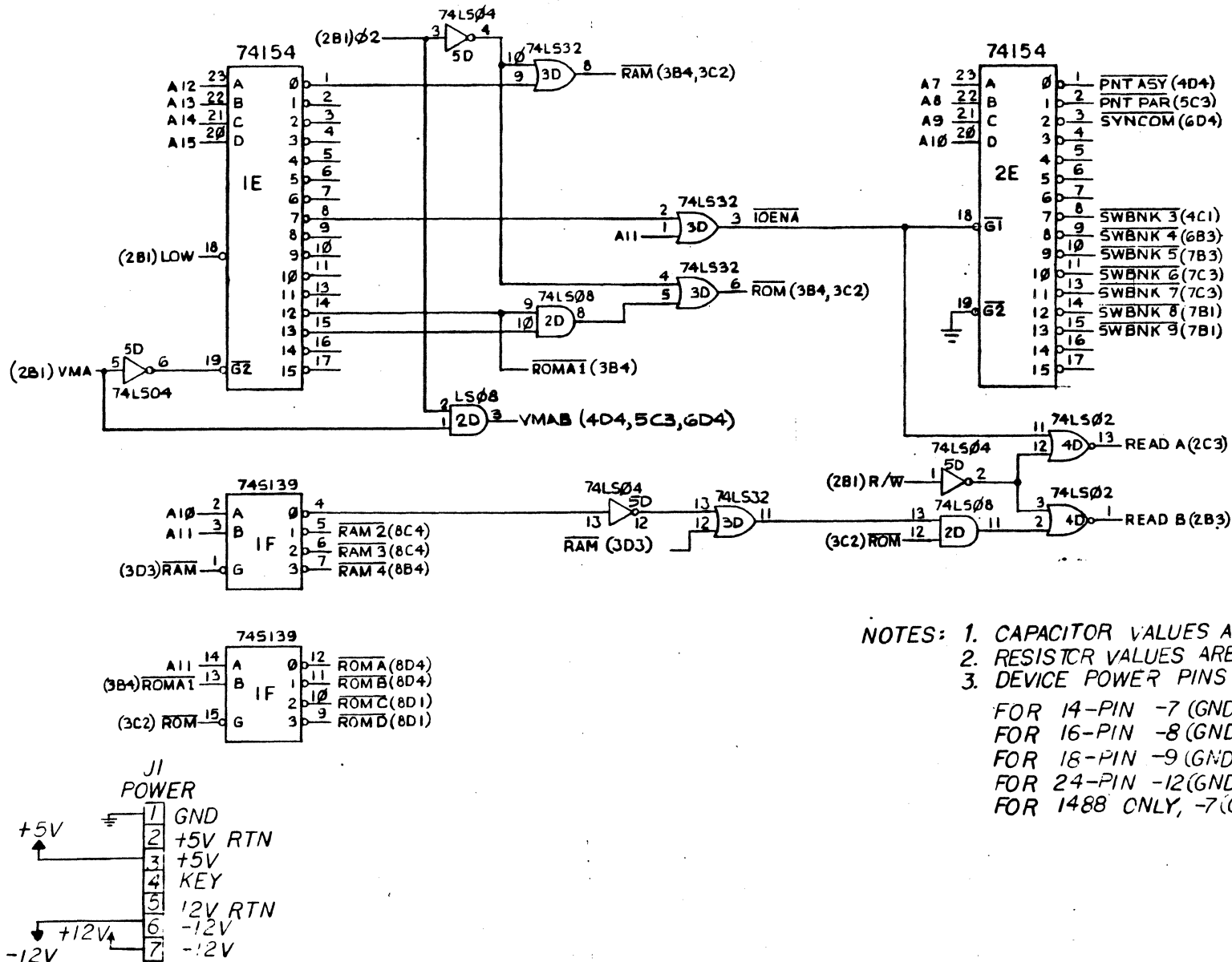
			UNLESS OTHERWISE SPECIFIED: DIM. IN INCHES TOLERANCES: - .X ± .1 XX ± .03 XXX ± .010 ANGLES ± 0.5°	CONTR NO. DR CHK DSGN <i>7/5/78</i> ENGR PROJ. <i>7/5/78</i> REL <i>7/2/79</i>	LEAR SIEGLER, INC. ELECTRONIC INSTRUMENTATION DIVISION ANAHEIM, CALIFORNIA 92803 SCHEMATIC - ADM 42 OPTICON BOARD			
DASH NO.	NEXT ASSY	USED ON	APPLICATION	APPD	SIZE	FSCM NO.	DWG NO.	LTR
				APPD	C	98438	129833	A
PROPRIETARY LEGEND EXCEPT AS MAY BE OTHERWISE AUTHORIZED BY CONTRACT, THESE DRAWINGS AND SPECIFICATIONS ARE THE PROPERTY OF LEAR SIEGLER, INC. ARE ISSUED IN STRICT CONFIDENCE AND SHALL NOT BE REPRODUCED, COPIED, OR USED FOR THE MANUFACTURE OR SALE OF THE APPARATUS WITHOUT WRITTEN PERMISSION.				SCALE		SHEET 1 OF 8		



INTERFACE BUFFERS

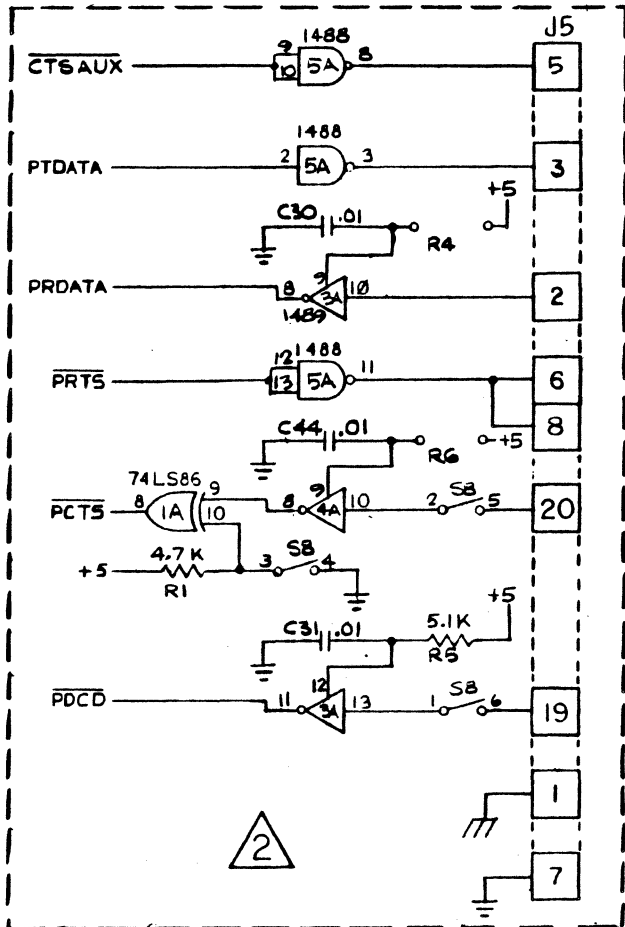
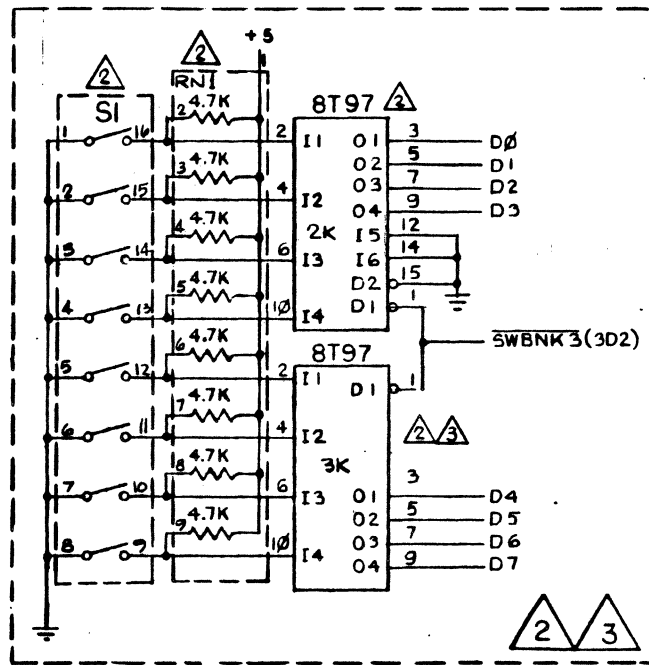
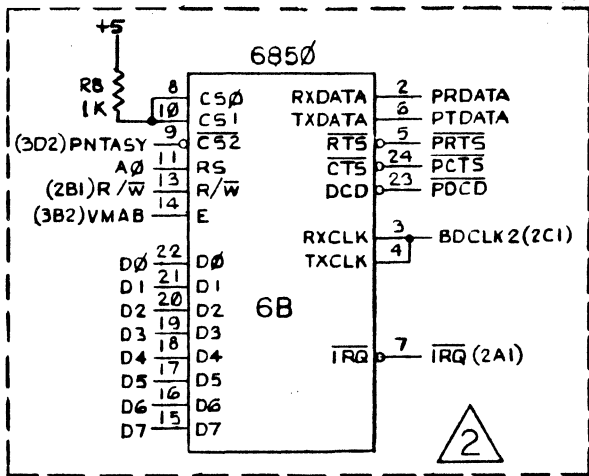


SIZE	CODE	IDEN NO.	DWG NO.	LTR
C	98438		129833	A
SCALE NONE			SHEET 2 OF 3	

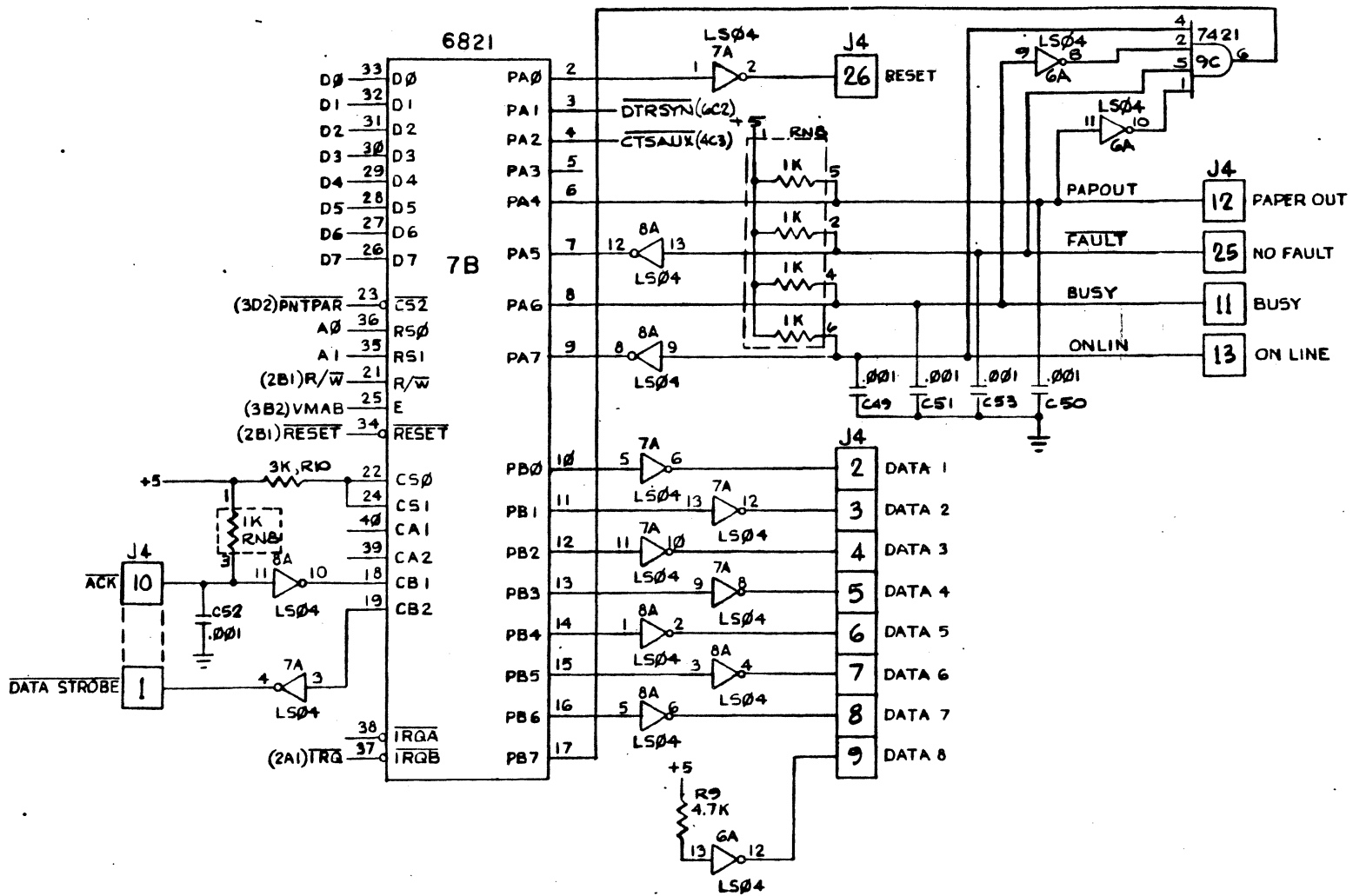


- NOTES: 1. CAPACITOR VALUES ARE IN MICROFARADS.
 2. RESISTOR VALUES ARE IN OHMS, $\pm 5\%$, 1/4W.
 3. DEVICE POWER PINS ARE:
 FOR 14-PIN -7 (GND), -14 (+5V)
 FOR 16-PIN -8 (GND), -16 (+5V)
 FOR 18-PIN -9 (GND), -18 (+5V)
 FOR 24-PIN -12 (GND), -24 (+5V)
 FOR 1488 ONLY, -7 (GND), -1 (-12V), -14 (+12V)

SIZE	CODE IDENT NO.	DWG NO.	LTR
C	98438	129833	A
SCALE NONE		SHEET 3	

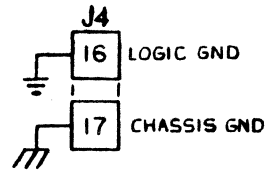


ASYNC. PRINTER PORT

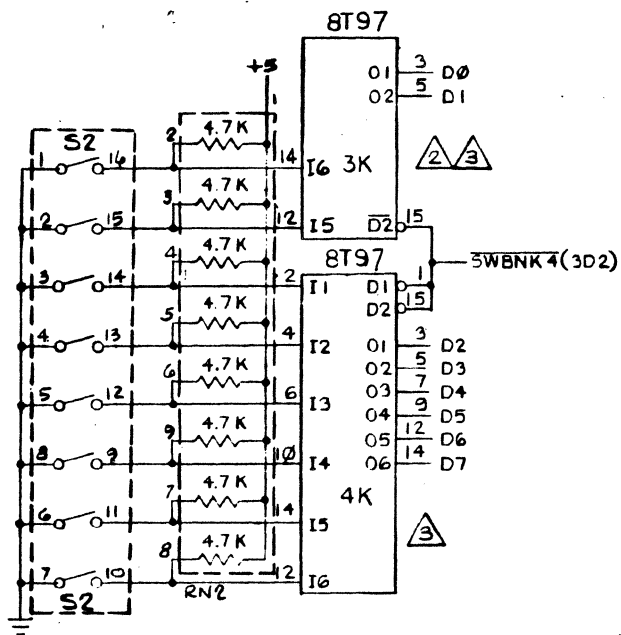
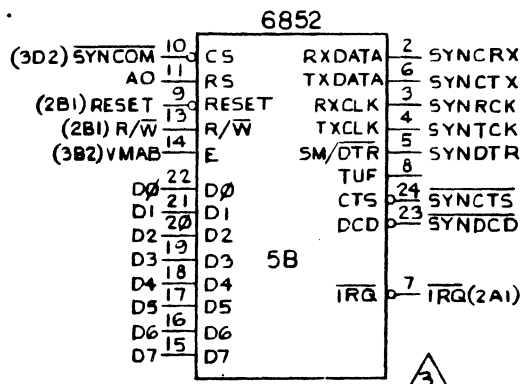


PARALLEL PRINTER PORT

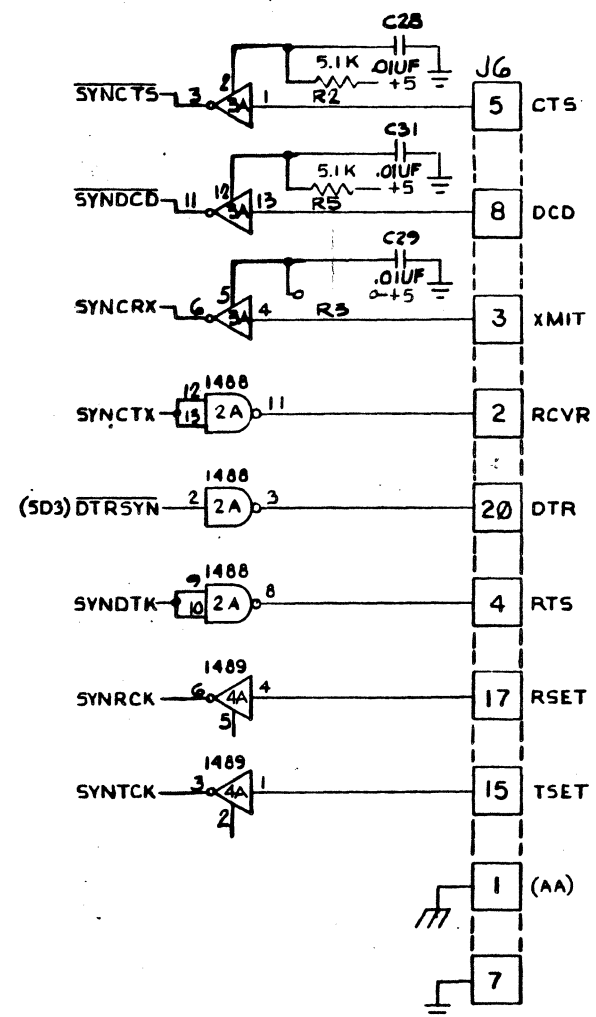
OPTION 1

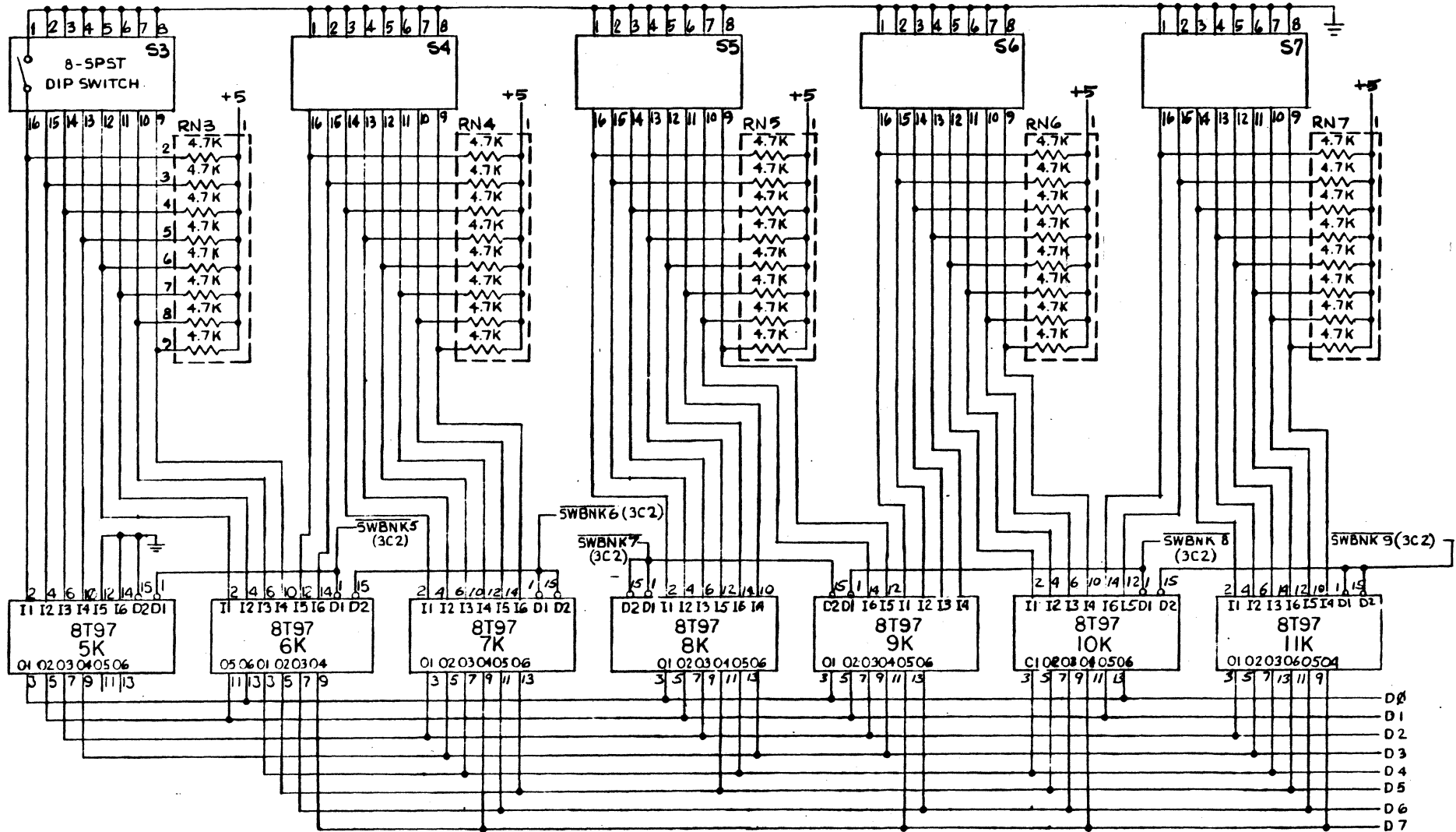


SIZE	CODE IDENT. NO.	DWG NO.	LTR
C	98438	129833	A
SCALE NONE		SHEET 5	



SYNCHRONOUS PORT
 OPTIONS





POLLING
 OPTION 4

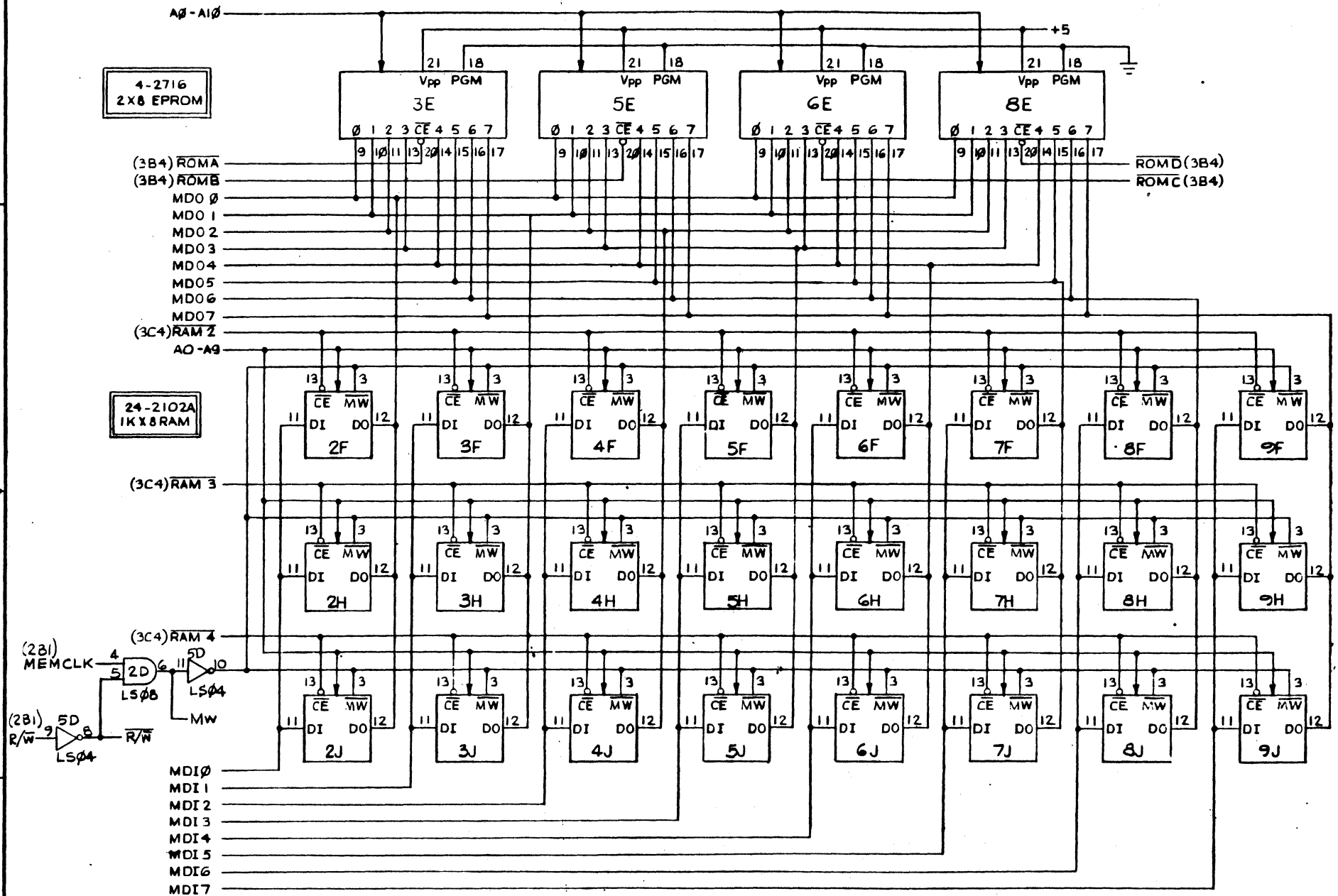
SIZE	CODE IDENT NO.	WG NO.	LTR
C	98438	129833	A
SCALE NONE			SHEET 7

D

C

B

A

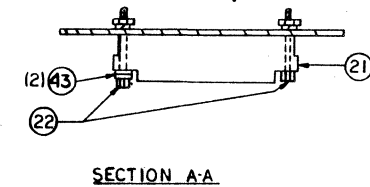
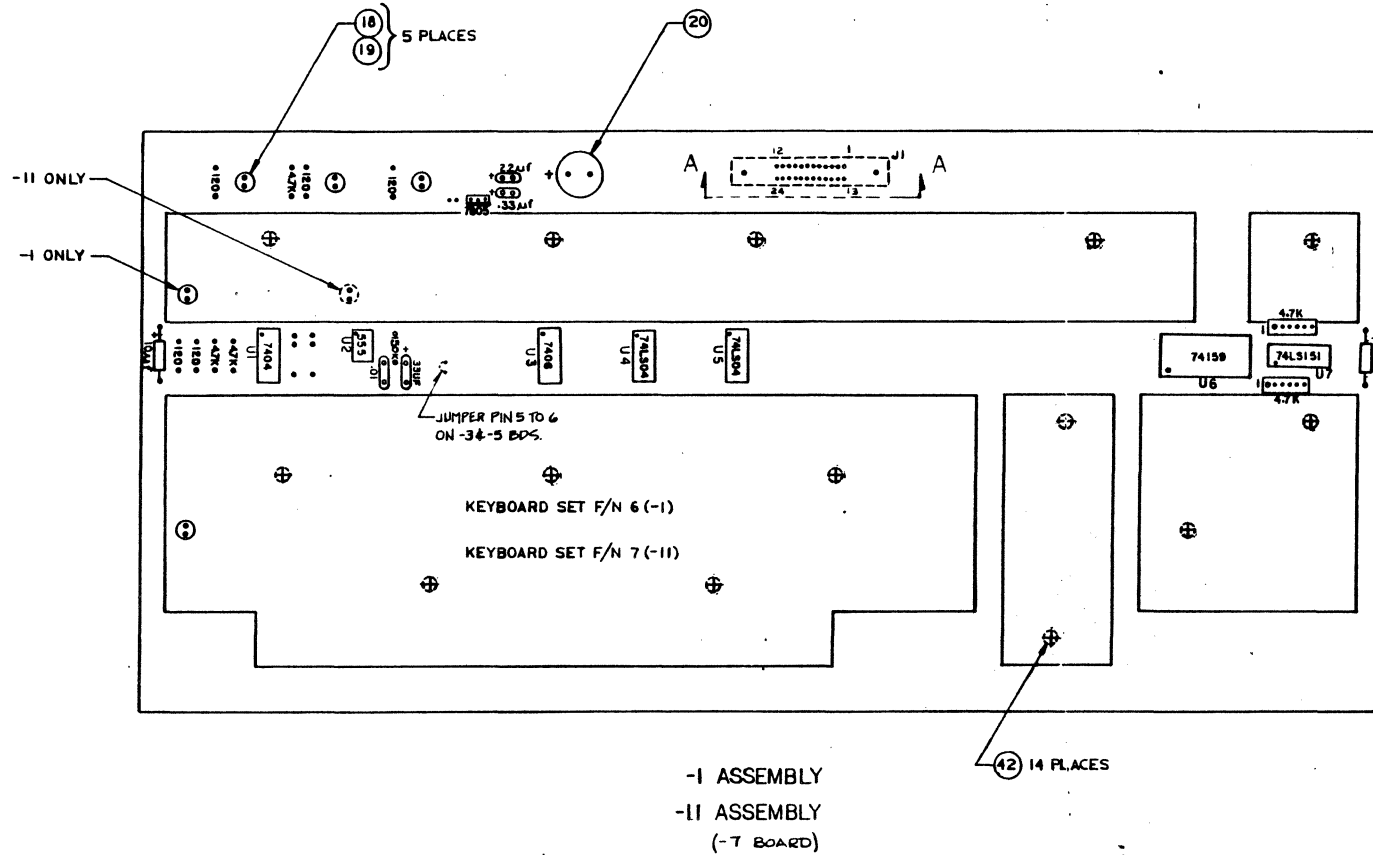


PIN NO.		0	1	2	3	4	5	6	7	8	9	10
ADDRESS	2102	4	8	5	2	15	6	7	14	1	16	-
	2716	8	7	6	5	4	3	2	1	23	22	19

RAM/ROM
 OPTION 5 6

SIZE	CODE IDENT NO.	DWG NO.	STR
C	98438	129833	-
SCALE NONE		SHEET 8	

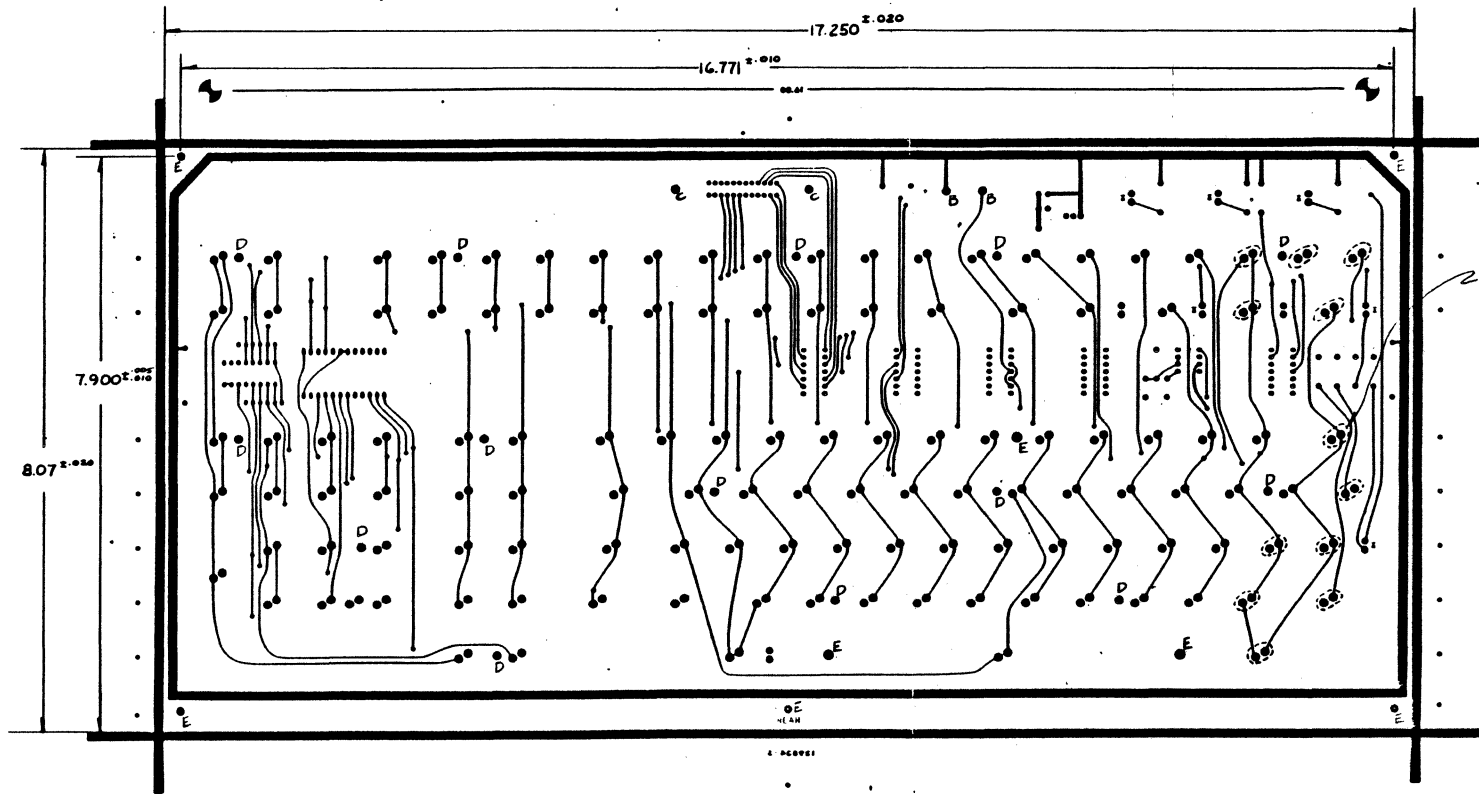
REVISIONS					
SHT	ZONE	LTR	DESCRIPTION	DATE	APPROVED
		A	INC ADCN #124 ADDED JUMPER FOR -3 & -5 ADDED 7-5-54	11-18-78	[Signature]
		B	INC ADCN 3, 4 & 5 AND DCN 470	1/24/80	R. Damm
		C	INC DCN 498	1-18-80	[Signature]



FOR SCHEMATIC SEE 129835

SEE SEPARATE PARTS LIST PL129834

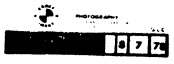
UNLESS OTHERWISE SPECIFIED DIM. IN INCHES TOLERANCES X ± .1 XX ± .03 XXX ± .010 ANGLES ± 0.5° MACH. FIN.		CONTR. NO. 129834	 LEAR SIEGLER, INC. ELECTRONIC INSTRUMENTATION DIVISION 3740 W. CALIFORNIA 92803
DASH NEXT ASSY USED ON		PC BOARD ASSY KEYBOARD ADM-42	
NO.	APPLICATION	APPD.	SIZE CODE IDENT NO. D 98438
		APPD.	DWG NO. 129834
			SCALE FULL
			SHEET 1 OF 4

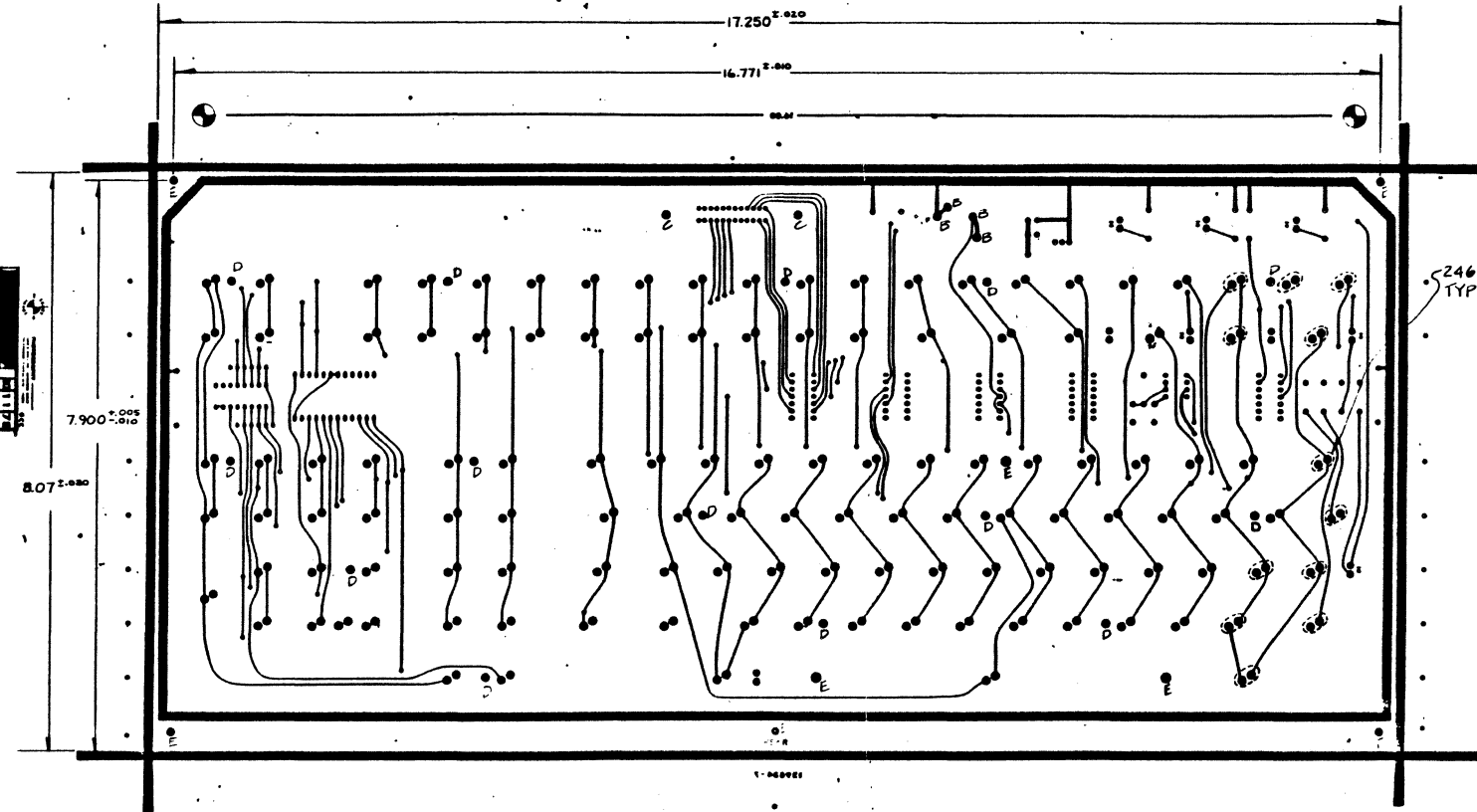


248 'B' HOLES
TYPICAL PATTERN

NOTES:
1. FOR REQUIREMENTS REFER TO 129317
EXCEPT OUTLINE AS SHOWN ON THIS SHEET.
ROUTING FIXTURE SAME AS 129720-9.

HOLE CHART				
CODE	DIAMETER		QTY.	ALL OTHERS
	MINIMUM	MAXIMUM		
A	.035	.042		
MARKED B	.052	.060	248	
C	.116	.125	2	
D	.128	.136	14	
E	.161	.166	8	

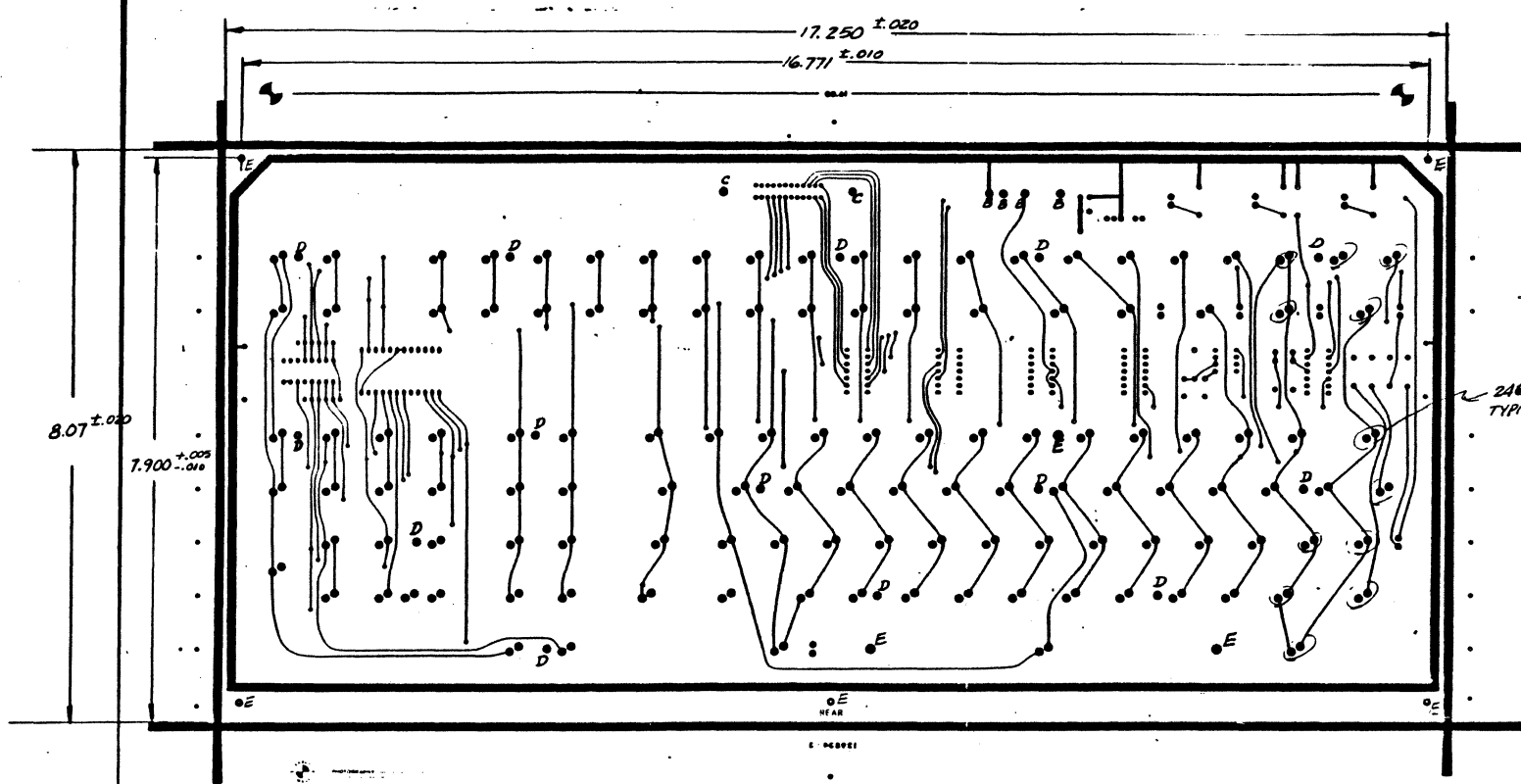




246 'B' HOLES
TYPICAL PATTERN.

NOTES:
FOR REQUIREMENTS REFER TO 129317
EXCEPT OUTLINE AS SHOWN ON THIS SHEET.
ROUTING FIXTURE SAME AS 129720-9

CODE	DIAMETER		QTY.
	MINIMUM	MAXIMUM	
A	.035	.042	ALL OTHERS
B	.052	.060	250
C	.116	.125	2
D	.128	.136	14
E	.161	.166	8




240 "B" HOLES
TYPICAL PATTERN

NOTES:
1. FOR REQUIREMENTS REFER TO 129317
EXCEPT OUTLINE AS SHOWN ON THIS SHEET.
ROUTING FIXTURE SAME AS 129720 -9.

CODE	DIAMETER		QTY
	MINIMUM	MAXIMUM	
A	.035	.042	2
B	.052	.060	250
C	.116	.125	2
D	.128	.136	14
E	.161	.166	8

REVISIONS					
SHT	ZONE	LTR	DESCRIPTION	DATE	APPROVED
		A	KEY NOMENCLATURE	5-16-79	W. Kelly
				5/16/79	H. Wynn
		B	INCORP DCN NO. 498	1/17/80	R. Olson
				1/30/80	B. Wynn

		UNLESS OTHERWISE SPECIFIED: DIM. IN INCHES		CONTR NO.		 LEAR SIEGLER, INC. ELECTRONIC INSTRUMENTATION DIVISION ANAHEIM, CALIFORNIA 92803	
		TOLERANCES: X±.1 XX±.03 XXX±.010 ANGLES ±0.5°		DR <i>SS 7-5-78</i>			
				CHK		SCHEMATIC-KEYBOARD ADM-42	
				DSGN <i>H. Wynn 7-5-78</i>			
				ENGR			
DASH NO.		APPLICATION		PROJ <i>H. Wynn 11/78</i>		SIZE FSCM NO. DWG NO. LTR C 98438 129835 B	
				REL <i>H. Wynn 11-78</i>			
PROPRIETARY LEGEND EXCEPT AS MAY BE OTHERWISE AUTHORIZED BY CONTRACT, THESE DRAWINGS AND SPECIFICATIONS ARE THE PROPERTY OF LEAR SIEGLER INC. ARE ISSUED IN STRICT CONFIDENCE, AND SHALL NOT BE REPRODUCED, COPIED, OR USED FOR THE MANUFACTURE OR SALE OF THE APPARATUS WITHOUT WRITTEN PERMISSION.				APPD		SCALE	
				APPD		SHEET 1 OF 2	

129835

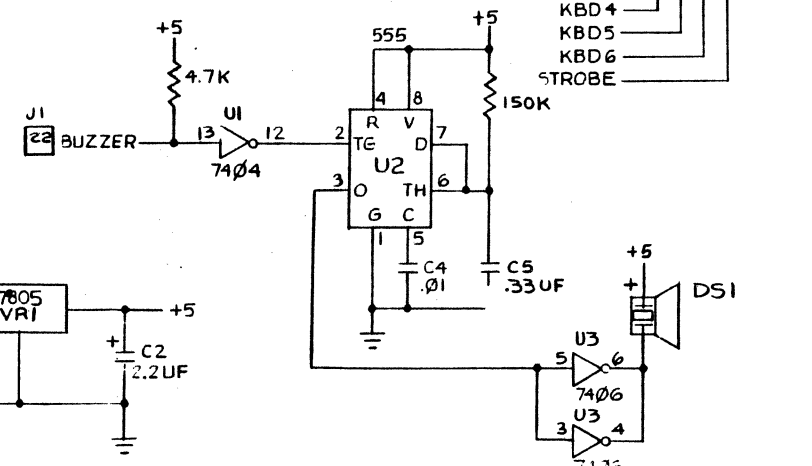
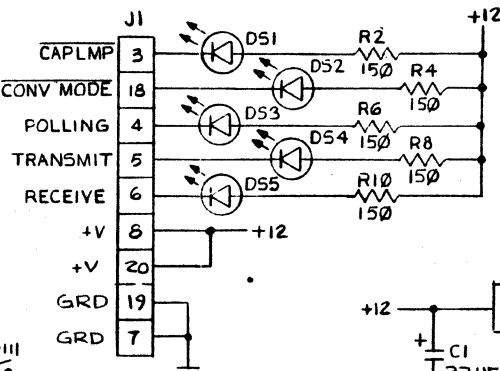
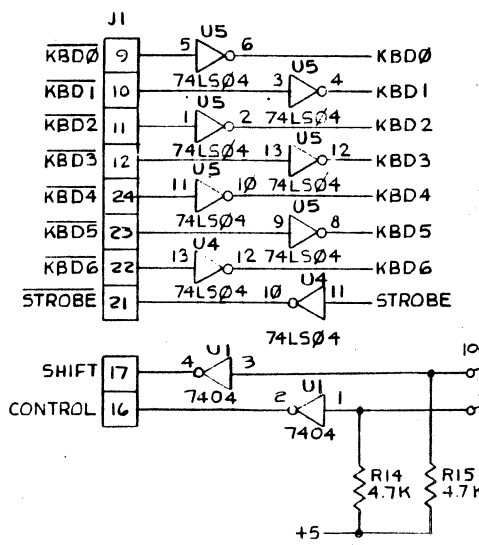
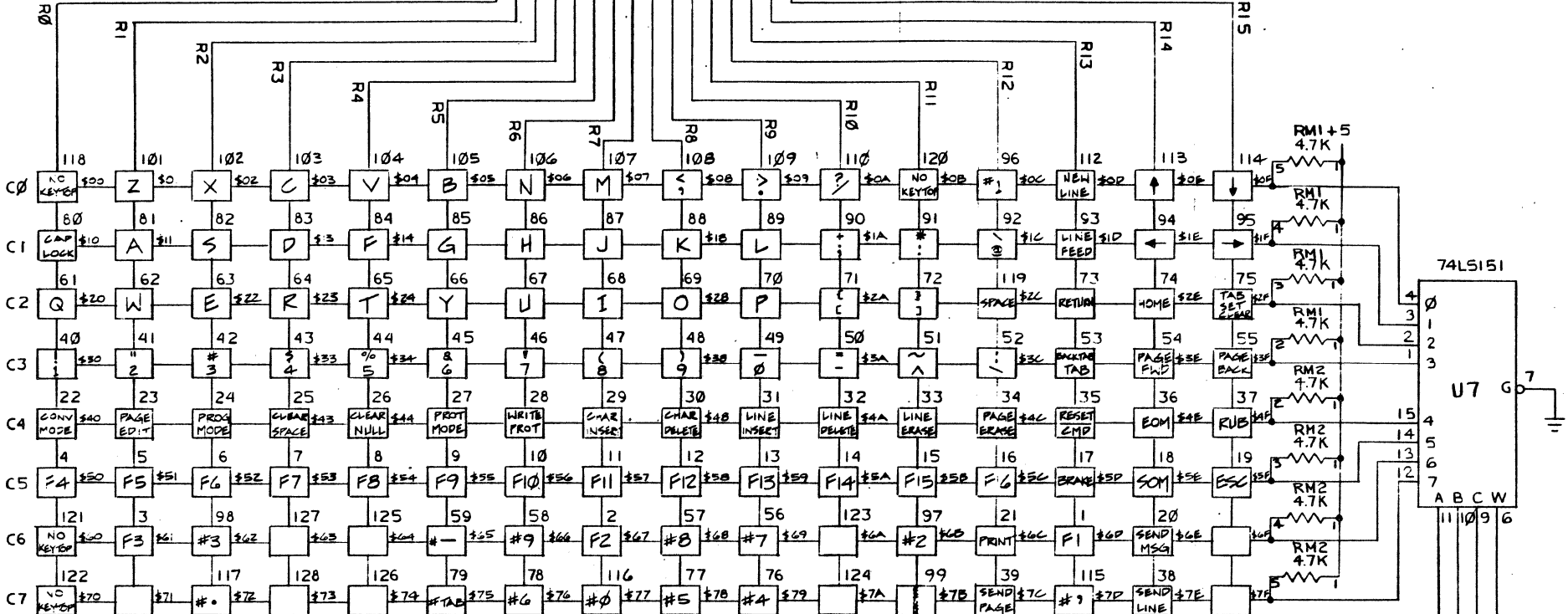
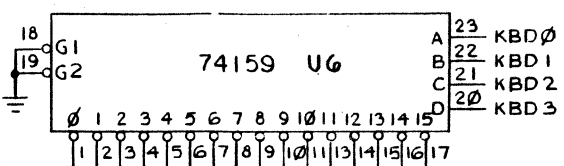


D

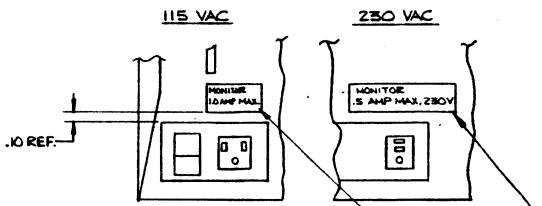
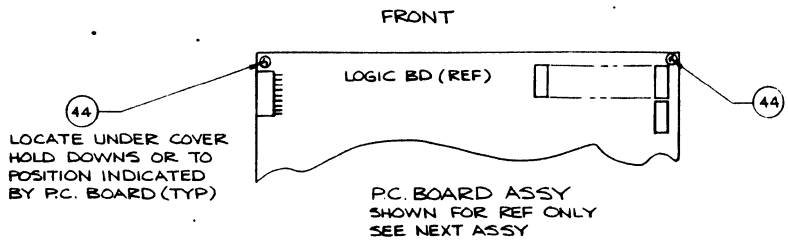
C

B

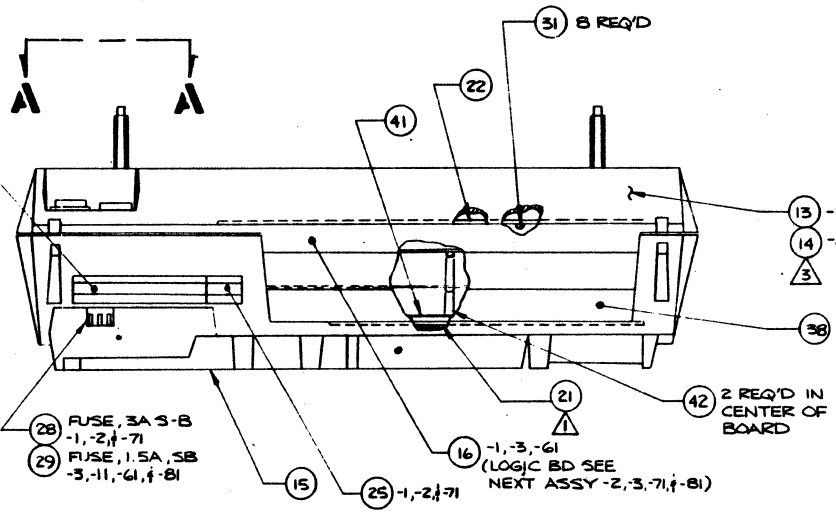
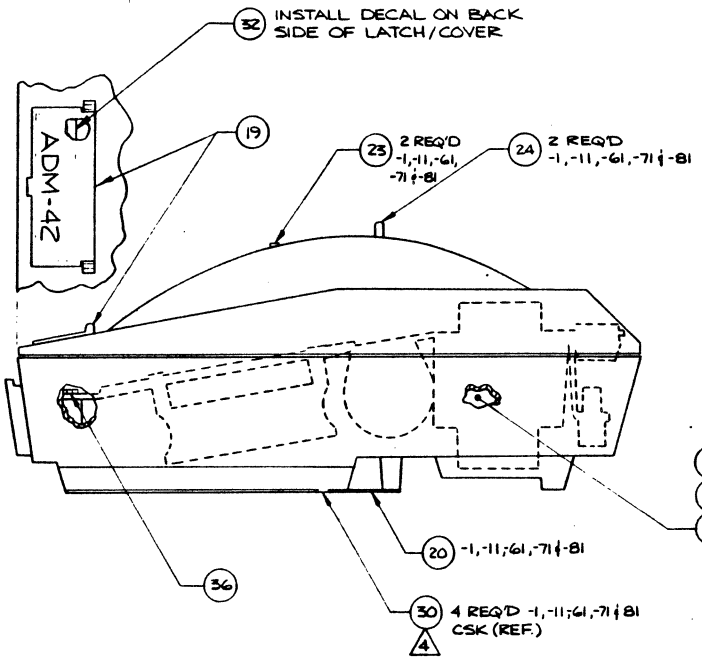
A



SIZE	CODE IDENT NO.	DWG NO.	LTR
C	98438	129835	B
SCALE	SHEET 2		2



VIEW A-A
N.T.S.



- 1 ASSY 115 VAC, STD (OBS)
- 2 ASSY 115 VAC, DESK MOUNT
- 3 ASSY 230 VAC, DESK MOUNT
- 11 ASSY 230 VAC, STD (OBS)
- 61 ASSY 230 VAC, STD (OBS)
- 71 ASSY 115 VAC, STD
- 81 ASSY 230 VAC STD

- 5 RUBBER STAMP FUSE INFORMATION ON NAMEPLATE ITEM (26), IN AREA BELOW SERIAL NO BLOCK. MARK AS FOLLOWS: ON ASSY -2 & -71 STAMP "3.0 S-B FUSE. ON ASSY -3 & -81 STAMP "1.5 AMP S-B FUSE".
- 4 DRIVE HEAD OF F/N 30 SCREW BELOW SURFACE OF BOTTOM DEFLECTOR, F/N 20 (TO PREVENT SCRATCHING MOUNTING SURFACE.
- 3 COVER SHOWN IS F/N 9. COVER, F/N 10, USED ON -2 & -3 TCU ASSY HAS NO F/N'S.
- 2 -61 ASSY TO REPLACE -11 ASSY -61 HAS NEW PWR CONN FOR MONITOR ATTACHMENT & WILL MATE WITH MONITOR 129842-31 ONLY. SEE 129842 FOR INTERCHANGEABILITY DATA.
- 1 BOND IN PLACE WITH HOT MELT.

NOTES: UNLESS OTHERWISE SPECIFIED

REVISIONS					
SMT	ZONE	LTR	DESCRIPTION	DATE	APPROVED
		A	REVISE DRAWING TO INCORP. FILLER BOARDS. CREATE -11, -21, -31, -41 & -51 & ADDED F/N 33, 35, 36, 37 & 38. T.E.S. 3-12-79	4-30-79	N. KELLY
		B	REMOVED ALL REF TO ASSY. -21 THRU -51. & ADDED ASSY -61 INCORP. ADCN 2 THRU 4. ADCN #3 IS A REWORK VARIATION AND WILL NOT BE INCORP ON DWG. G. JAROSEK 8-9-79	8-9-79	G. JAROSEK
		C	INCORP ADCN 5, DCN #61 & 71 & 81	11-15-79	N. KELLY
		D	INCORP DCN 915	8-8-80	N. KELLY
		E	INCORP DCN 1014	8-8-80	N. KELLY
		F	INCORP DCN 1614	EM 12/9/80	N. KELLY
		G	REVISE PER DCN #1556	EM 12/9/80	N. KELLY
		H	INCORP DCN # 1939	ESC 4-13-81	N. KELLY
		J	INCORP DCN # 2444 & REDRAWN	ESC 9-30-81	N. KELLY
		K	INCORP DCN # 2985	ESC 10-5-81	N. KELLY

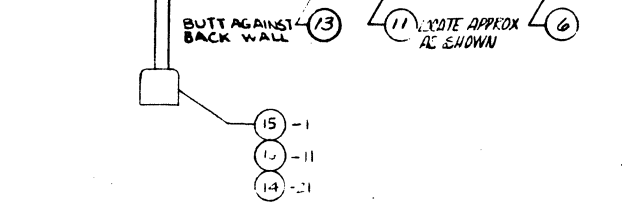
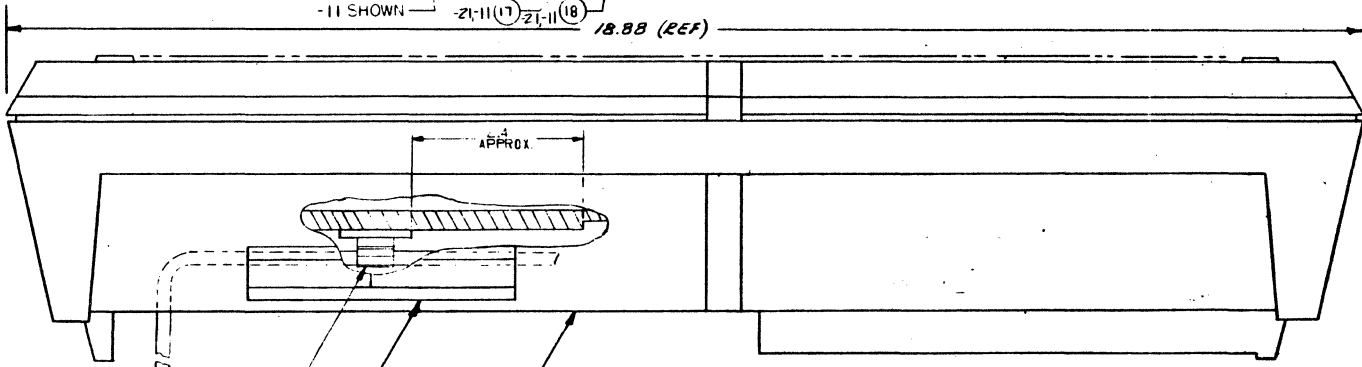
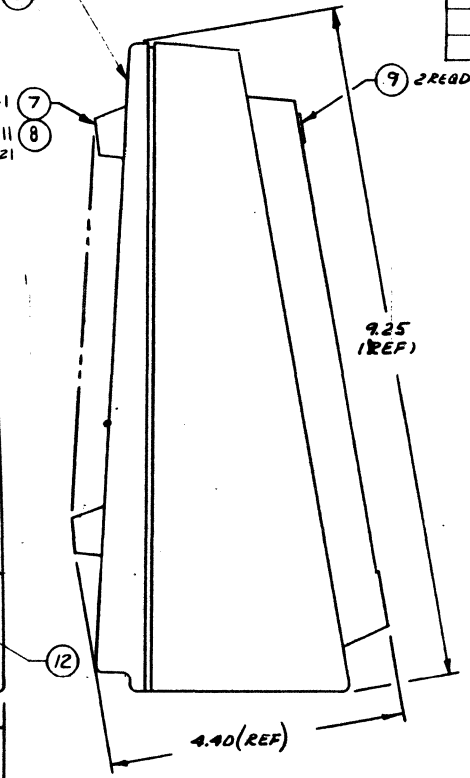
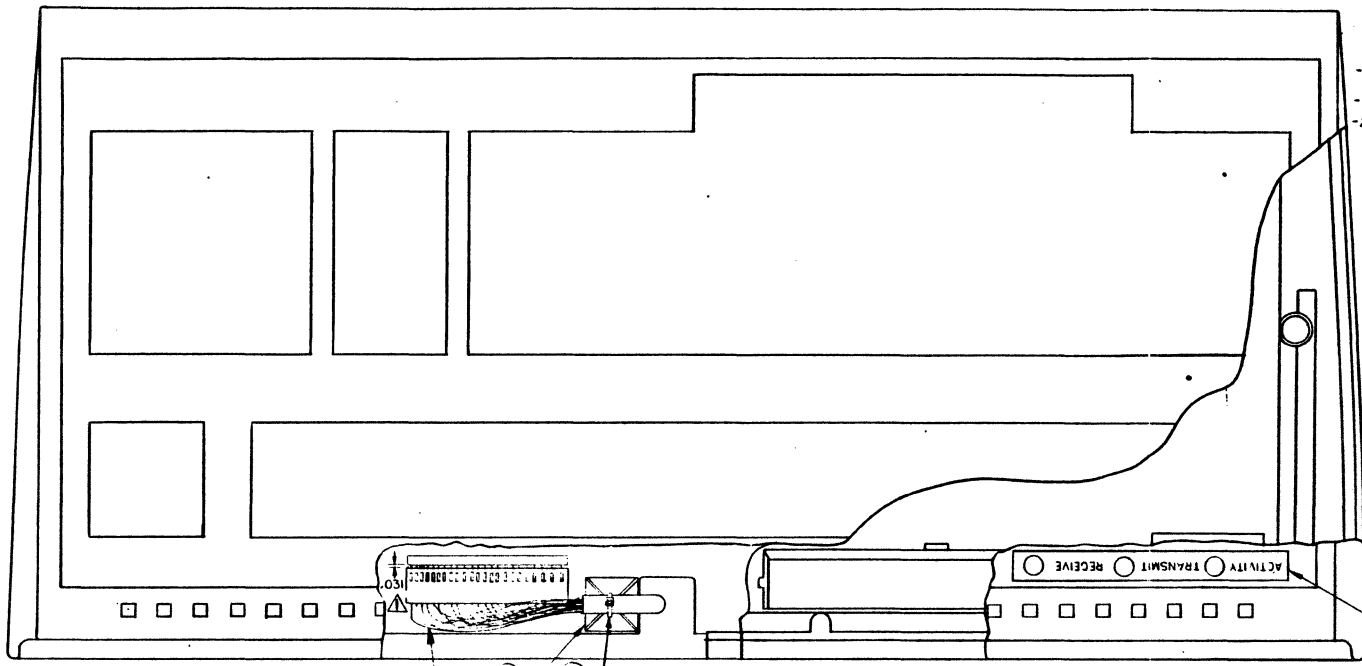
TABLE A

PRODUCT ID LABEL	132426-002			
REQUIREMENTS	-2	-3	-71	-81
MOLDEL	129840			
CONFIG NO.	EXAMPLE: A42B10000000			
SMD NO.	IF APPLICABLE			
SERIAL NO.	TO BE REFERENCED BY MATEL CONTROL			
VOLTS	115	230	115	230
AMPS	2.5	1.25	2.5	2.5
HE	50/60			
WATTS				

FOR SEPARATE PARTS LIST SEE PL129840

-81 / 139391		UNLESS OTHERWISE SPECIFIED DIM IN INCHES	CONTR NO	LEAR SIEGLER, INC. DATA PRODUCTS DIVISION ANAHEIM, CALIFORNIA 92810
-71 / 139391			DR # 129840	
-3 / 131391		TOLERANCES	DESIGN	TERMINAL CONTROL UNIT ASSY - ADM 4Z
-2 / 131391	0.0005	X ± 1	ENGR	
DASH NO	NEXT ASSY USED ON	XXX ± 0.3	PROJ D & THERMAN 3-2-78	
APPLICATION		XXX ± 0.10	SEC 1 JAROSEK 8-9-79	
PROPRIETARY LEGEND			APPD	SIZE
EXCEPT AS MAY BE OTHERWISE AUTHORIZED BY CONTRACT THESE DRAWINGS AND SPECIFICATIONS ARE THE PROPERTY OF LEAR SIEGLER INC. ARE ISSUED IN STRICT CONFIDENCE AND SHALL NOT BE REPRODUCED COPIED OR USED FOR THE MANUFACTURE OR SALE OF THE APPARATUS WITHOUT WRITTEN PERMISSION			APPD	FSCM NO
			APPD	DWG NO
			APPD	D 98438
			APPD	129840
			APPD	LIR
			APPD	K
			APPD	SCALE 1/2
			APPD	SHEET 1 OF 1

REVISIONS					
SHT	ZONE	LTR	DESCRIPTION	DATE	APPROVED
		E			
		C	INCRP DCN # 204C		
		D	INCRP DCN # 716		
		E	INCRP DCN # 1939	8-10-81	



- 1 ASSY
- 11 ASSY
- 21 ASSY

SEE SEPARATE PARTS LIST- PL129841

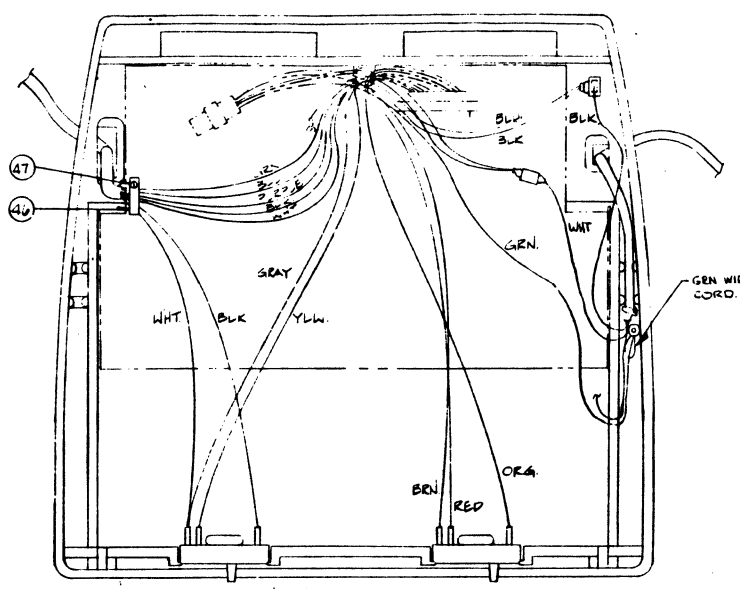
CONSTANT GAP MUST EXIST BETWEEN CONNECTOR & HEADER.
 NOTES UNLESS OTHERWISE SPECIFIED

PROPRIETARY LEGEND
 EXCEPT AS MAY BE OTHERWISE AUTHORIZED BY CONTRACT, THESE DRAWINGS AND SPECIFICATIONS ARE THE PROPERTY OF LEAR SIEGLER, INC. ARE ISSUED IN STRICT CONFIDENCE, AND SHALL NOT BE REPRODUCED, COPIED, OR USED FOR THE MANUFACTURE OR SALE OF THE APPARATUS WITHOUT WRITTEN PERMISSION.

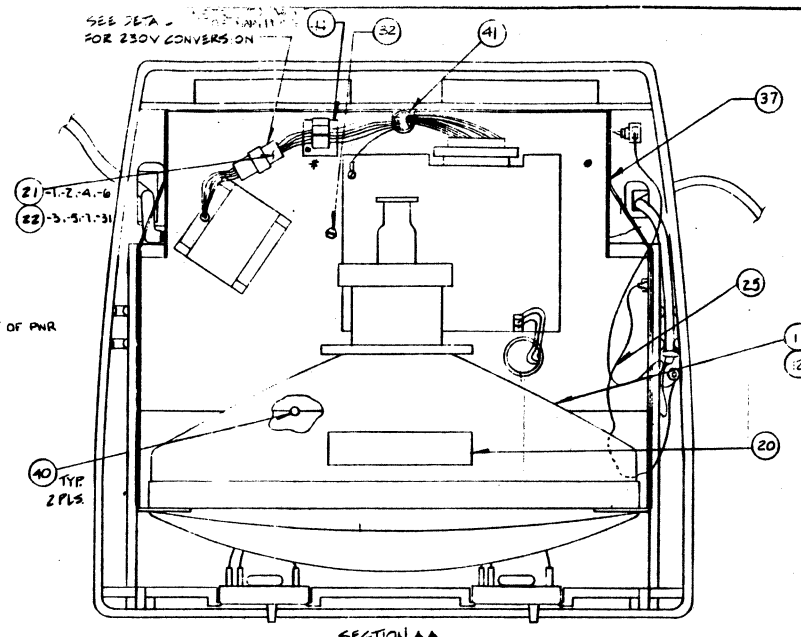
UNLESS OTHERWISE SPECIFIED DIM. IN INCHES TOLERANCES X ± 1 XX ± 03 XXX ± 010 ANGLES ± 05° MACH FIN.		CONTR. NO. OR CHK DSGN ENGP APPD	 LEAR SIEGLER, INC. ELECTRONIC INSTRUMENTATION DIVISION ANAHEIM, CALIFORNIA 92803 KEYBOARD ASSY- ADM42	SIZE D 98438	DATE 12/7/79	DWG NO. 129341	LTR E
DASH NO.	NEXT ASSY USED ON	APPD		SCALE	SHEET		

129841

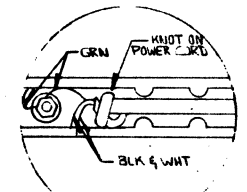
REVISIONS		DESCRIPTION	DATE	APPROVED
	Q	INC AM 11-1-9 CON 4124 J45		
	C	ADVANCE REV LEVEL PER R13, 2019		
	D	REVISE PER DCN 1356		
	-	INCORP D-1820, D1837 + D-1853		
	E	INCORP DCN # 1939, D-2148, D-1993		
	F	INCORP DCN # 2161		



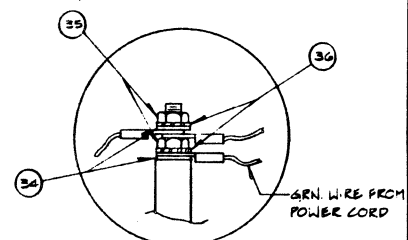
WIRING LAYOUT



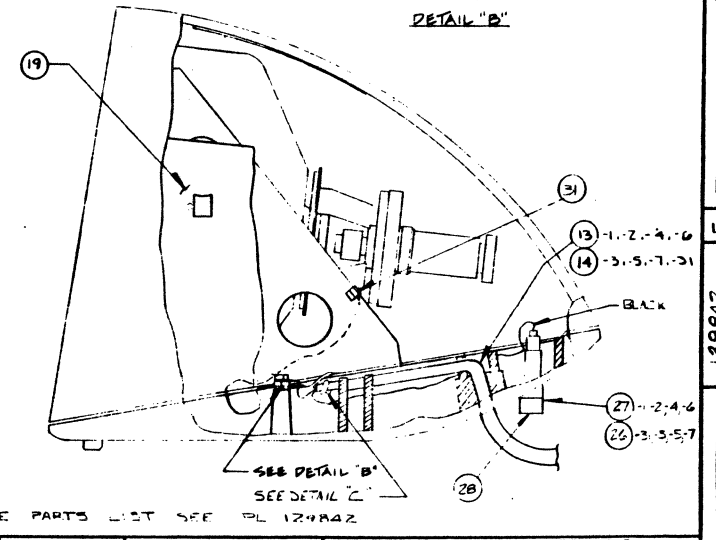
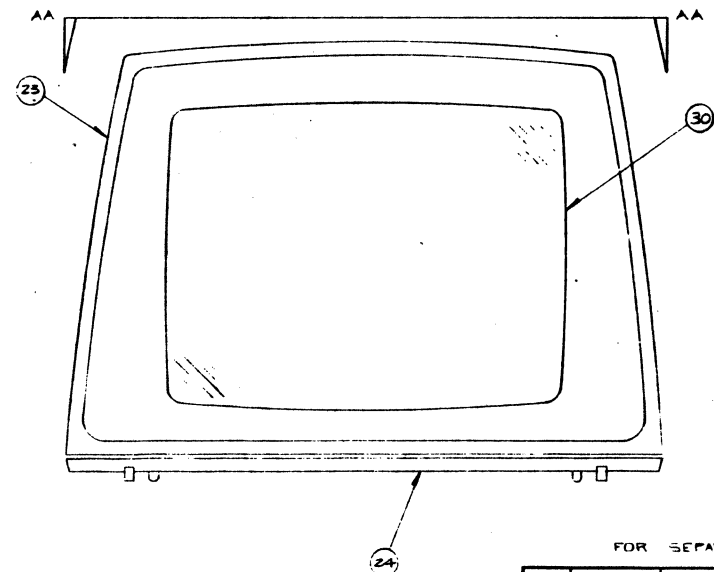
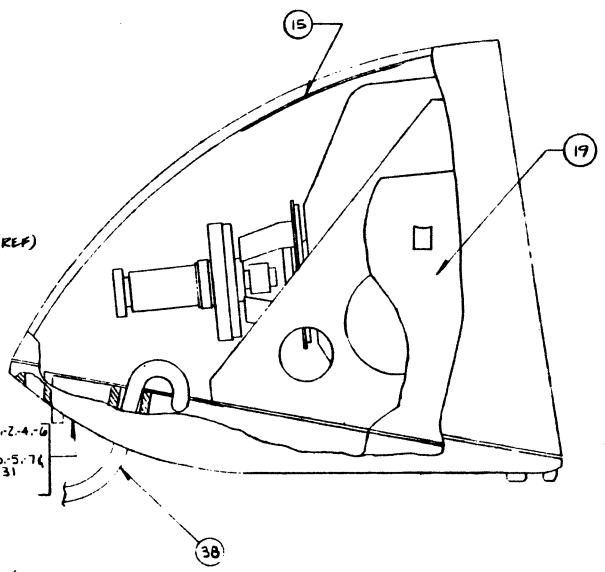
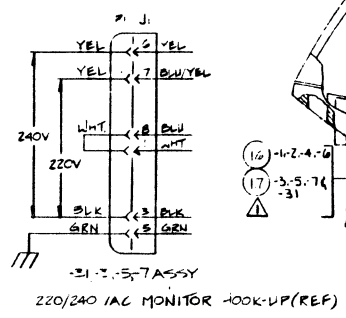
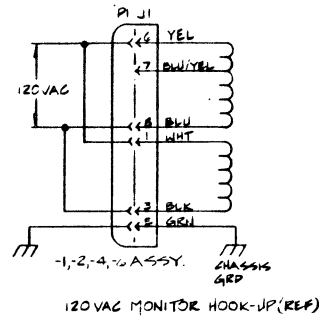
SECTION AA (TOP COVER REMOVED FOR CLARITY)



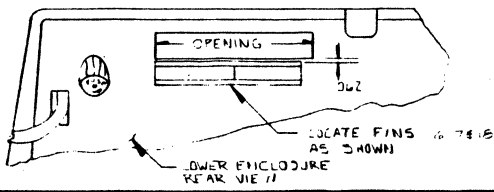
DETAIL 'C'



DETAIL 'B'



NOTES UNLESS OTHERWISE SPECIFIED
 CENTER ON UNIT.

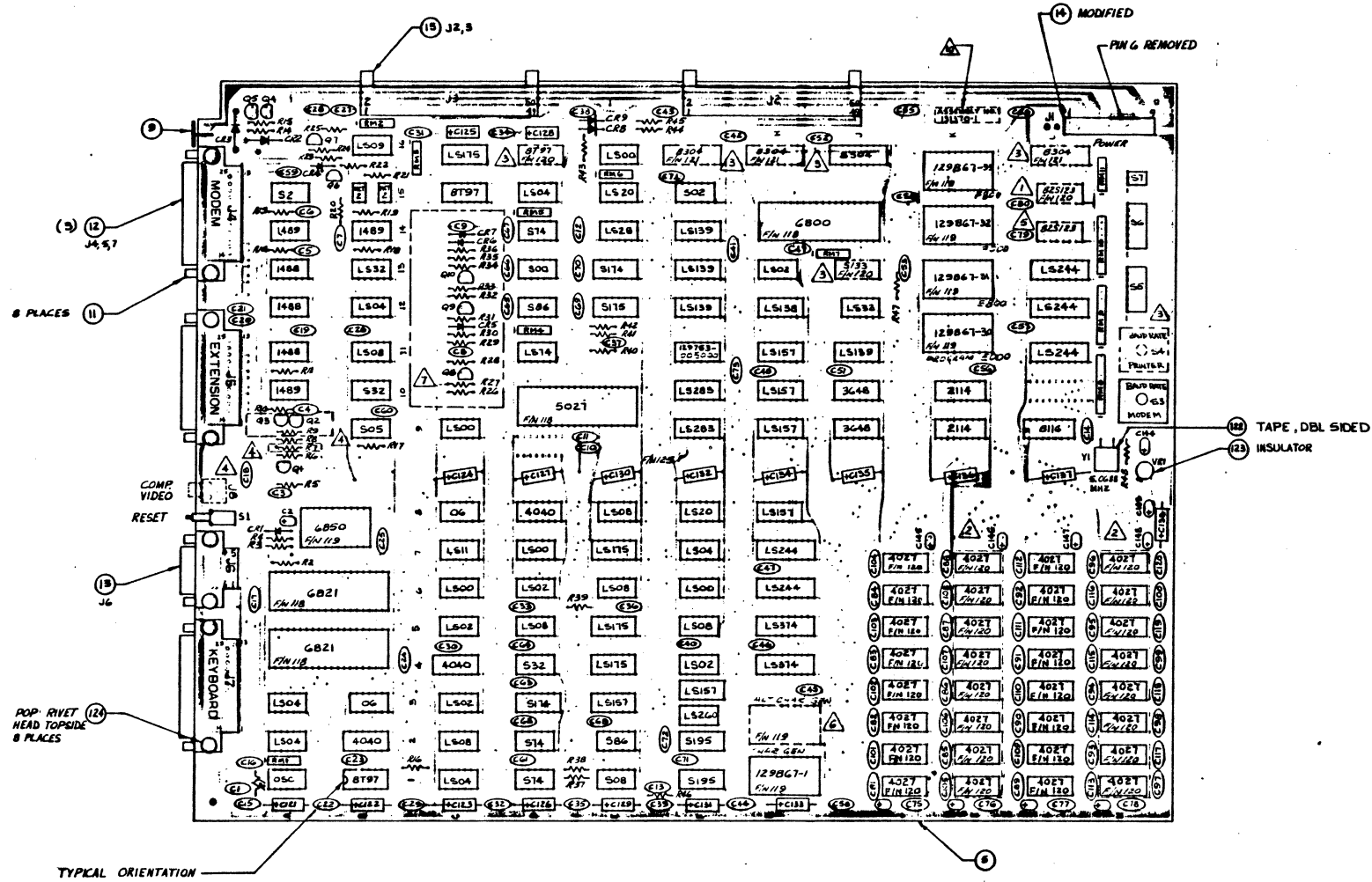


- 1 ASSY 115 VAC BRN P4
- 2 " BRN P210
- 3 " 230VAC BRN P10
- 4 " 115 VAC BRN P4 LONG CABLE
- 5 " 230VAC BRN P4 LONG CABLE
- 6 " 115 VAC BRN P10 LONG CABLE
- 7 " 230VAC BRN P3 LONG CABLE
- 31 " 230 VAC BRN P4

FOR SEPARATE PARTS LIST SEE PL 124842

UNLESS OTHERWISE SPECIFIED DIM. IN INCHES TOLERANCES X ± .1 XX ± .03 XXX ± .010 ANGLES ± .05° MACH. FIN.		CONTR. NO. DR CHK DSGN ENGR APPD	LEAR SIEGLER, INC. ELECTRONIC INSTRUMENTATION DIVISION ANAHEIM, CALIFORNIA 92803	MONITOR ASSEMBLY ADM 42	LTR F
DASH NO	NEXT ASSY USED ON APPLICATION	APPD			

SHT	ZONE	LTR	REVISION	DATE	APPROVED
		A	PRODUCTION RELEASE PER DCN 540		
		B	INC DCN 421 & 559	1/19/76	GM
		C	INC DCN 604 DEVIATION 560		
		D	INC DCN 1471		
		E	REVISE PER DCN 1350		

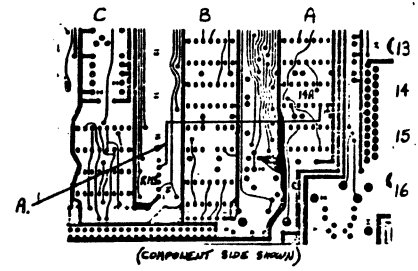


-1 ASSY
-2 ASSY (W/O ROM-SEE PL)

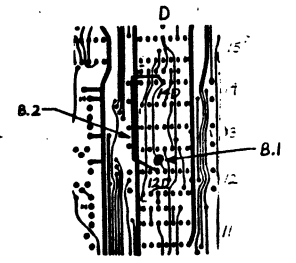
- NOTES:
- △ PERSONALITY OPTION (SPECIAL ONLY)
 - △ MEMORY OPTION (SEE 131371-2)
 - △ OPTION BOARD (SEE 31371-3)
 - △ COMPOSITE VIDEO OPTION (SPECIAL ONLY)
 - △ ANSWER BACK (SPECIAL ONLY)
 - △ ALTERNATE CHARACTER SET (SEE 131371-6)
 - △ DIRECT CONNECT (SEE 131371-7)
 - 8. FOR SCHEMATIC SEE 129813
 - 9. FOR OPTIONS SEE 131371
 - △ ASSY NO 131370-1 MUST BE PLACED ON P.C. BOARD IN APPROX LOCATION SHOWN.

FOR SEPARATE PARTS LIST SEE PL131370

		UNLESS OTHERWISE SPECIFIED DIM IN INCHES	TOLERANCES FRACTIONS DECIMALS ANGLES HOLE DIA DIMS TO CENTER DIM TO SURFACE	INTRAD TO SURFACE UNLESS NOTED OTHERWISE	 LEAR SIEGLER, INC PC BOARD ASSEMBLY ADM 42
-2	29340	29340	1/16, 1/32, 1/64, 3/32, 1/8, 1/4, 3/8, 1/2, 5/8, 3/4, 7/8, 1, 1 1/4, 1 1/2, 1 3/4, 2, 2 1/4, 2 1/2, 2 3/4, 3, 3 1/4, 3 1/2, 3 3/4, 4, 4 1/4, 4 1/2, 4 3/4, 5, 5 1/4, 5 1/2, 5 3/4, 6, 6 1/4, 6 1/2, 6 3/4, 7, 7 1/4, 7 1/2, 7 3/4, 8, 8 1/4, 8 1/2, 8 3/4, 9, 9 1/4, 9 1/2, 9 3/4, 10, 10 1/4, 10 1/2, 10 3/4, 11, 11 1/4, 11 1/2, 11 3/4, 12, 12 1/4, 12 1/2, 12 3/4, 13, 13 1/4, 13 1/2, 13 3/4, 14, 14 1/4, 14 1/2, 14 3/4, 15, 15 1/4, 15 1/2, 15 3/4, 16, 16 1/4, 16 1/2, 16 3/4, 17, 17 1/4, 17 1/2, 17 3/4, 18, 18 1/4, 18 1/2, 18 3/4, 19, 19 1/4, 19 1/2, 19 3/4, 20		
DASH	NG				D 98438
		EXCEPT AS MAY BE OTHERWISE SPECIFIED BY CONTRACT THESE DRAWINGS AND SPECIFICATIONS ARE THE PROPERTY OF LEAR SIEGLER, INC. AND SHALL REMAIN SO. NO PARTS SHALL BE REPRODUCED OR USED IN THE MANUFACTURE OR SALE OF THE APPARATUS WITHOUT WRITTEN PERMISSION.			131370
					1 2

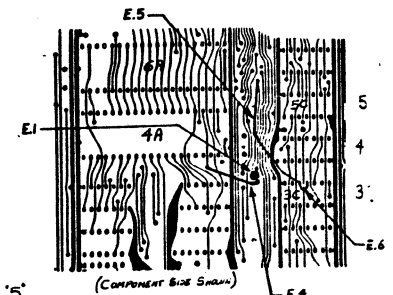


DETAIL '1'



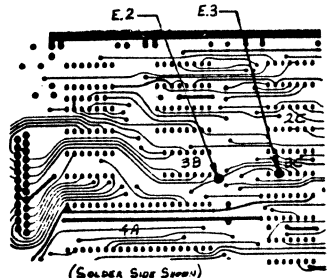
(COMPONENT SIDE SHOWN)

DETAIL '3'

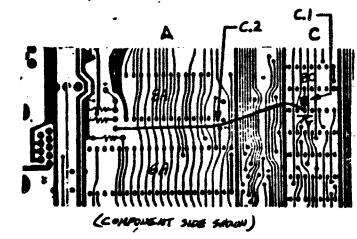


DETAIL '5'

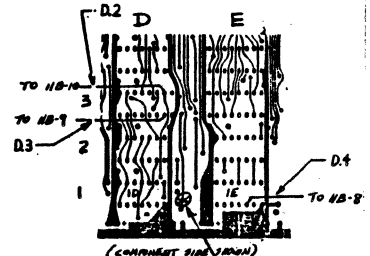
(COMPONENT SIDE SHOWN)



DETAIL '7'

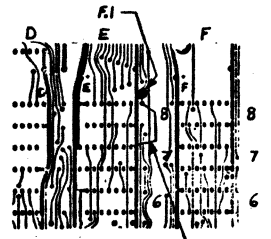


DETAIL '2'



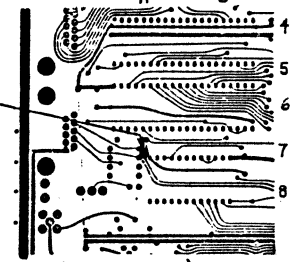
(COMPONENT SIDE SHOWN)

DETAIL '4'



(COMPONENT SIDE SHOWN)

DETAIL '6'



(SOLDER SIDE SHOWN)

DETAIL '8'

REWORK INSTRUCTIONS FOR PCB I29812-5

ETCH CUTS

1. CUT PLATING FROM 12D-11 TO 14D-11 COMP SIDE, DETAIL 3, B-1
2. CUT PLATING FROM 7C-12 TO 8C-3 COMP. SIDE, DETAIL 2, C-1
3. CUT PLATING COMP SIDE, DETAIL 4, D1
4. CUT PLATING COMP & SOLDER SIDE, DETAIL 5 & 7, E1 & 2
5. CUT PLATING BETWEEN 3C-12 & 3C-13 SOLDER SIDE, DETAIL 7, E-3
6. CUT PLATING COMP SIDE, DETAIL 6
7. CUT PLATING SOLDER SIDE, DETAIL 8

JUMPERS

1. RM3 - 5 TO 14A-13 COMP SIDE, DETAIL 1, A
2. 12D-12 TO 14D-11 COMP SIDE, DETAIL 3, B-2
3. ADD JUMPER COMP SIDE, DETAIL 2, C-2
4. 3D-10 TO 11B10 COMP SIDE, DETAIL 4, D-2
5. 3D-7 TO 11B-9 COMP SIDE, DETAIL 4, D-3
6. 1E-5 TO 11B-8 COMP SIDE, DETAIL 4, D-4
7. ADD JUMPER COMP SIDE 22AWG SOLID WIRE, DETAIL 5, E-4
8. PLATED THROUGH HOLE TO 3C-12 COMP SIDE, DETAIL 5, E-6
9. 7E-9 TO PLATED THROUGH HOLE COMP SIDE, DETAIL 6, F-2

REVISIONS

SHT	ZONE	LTR	DESCRIPTION	DATE	APPROVED
		A	RELEASED PER DCN 824	11/78	4/23/80
		B	INCORP DCN # 1368	12/78	4/23/80
		C	INCORP DCN # 2413	7-79	4/23/80

STANDARD PWB 129812-5

SEE TABLE 2

015A S2 - INTERFACE
OFF ON

RS-232 XMIT DIS 1 2
DIR CONN XMIT DIS 3 4
CURR LOOP/RS232 RCV DSA 5 6
DIR CONN RCV DIS 7 8
CURR LOOP XMIT DIS 9 0
SCF DIS 1 2

RS-232 XMIT ENA 1 2
DIR CONN XMIT ENA 3 4
CURR LOOP/RS232 RCV ENA 5 6
DIR CONN RCV ENA 7 8
CURR LOOP XMIT ENA 9 0
SCF ENA (N/A)

016M S7 - DISPLAY CONTROL
OFF ON

ATT NOT DSPLY 1 2
ENA ALT CHAR EXT 3 4
DSPLY NULL AS NULL 5 6
DISPLY-ATT CODE 1 2
DIS ALT CHAR EXT 3 4
DSPLY NULL AS SPACE 5 6

012M S5 - WORD STRUCTURE
OFF ON

BRK DIS 1 2
50 HZ 3 4
ODD PAR 5 6
1 STOP BIT 7 8
8 BITS 9 0
NORM RCV BUFF 1 2
SEND BIT 8 = 0 3 4
HALF DUPLEX 5 6

BRK ENA 1 2
50 HZ 3 4
EVEN PAR 5 6
2 STOP BITS 7 8
7 BITS 9 0
EXPAND RCV BUFF 1 2
SEND BIT 8-1 3 4
FULL DUPLEX 5 6

014M S6 - ATTRIBUTE CONTROL
OFF ON

ADM-42 ATT MODE 1 2
PAGE ATT 3 4
BLANK ATT 5 6
DTR IN LAST UNIT 7 8
RESERVED 9 0
RESERVED 1 2
RESERVED 3 4
RESERVED 5 6
RESERVED 7 8
RESERVED 9 0

ADM 2 ATT MODE 1 2
LINE ATT 3 4
UNDERLINE ATT 5 6
DTR IN NORMAL 7 8
RESERVED 9 0
RESERVED 1 2
RESERVED 3 4
RESERVED 5 6
RESERVED 7 8
RESERVED 9 0

TABLE 2

S2-1	S2-2	S2-3	S2-4	S2-5	FUNCTION
ON	OFF	ON	OFF	OFF	RS-232 ENABLED (STD)
OFF	OFF	ON	OFF	ON	CURRENT LOOP ENABLED
OFF	ON	ON	ON	ON	DIRECT CONNECT ENABLED

ALL OTHER POSITIONS NOT ALLOWED

OPTION PWB 129832-5

S8-2 S8-3 FUNCTION

ON	ON	PIN 18 BUSY LOW
ON	OFF	PIN 18 BUSY HIGH
OFF	ON	NOT ALLOWED
OFF	OFF	BUSY NOT ACTIVE*

*UNIT SENSES PRINTER AS NEVER BUSY

04A S8 - PRINTER
OFF ON

PIN 20 DCD DSA 1 2
PIN 18 BUSY CTRL 3 4
PIN 19 BUSY CTRL 5 6

02L S1 - SERIAL PRINTER WORD FORMAT

PARALLEL PRTR ENA 1 2
NON-BUFFERED PRINT 3 4
EVEN PARITY 5 6
2 STOP BITS 7 8
7 DATA BITS 9 0
RESERVED 1 2
RESERVED 3 4
RESERVED 5 6
RESERVED 7 8
RESERVED 9 0
AUXILIARY RCV INPUT DSA

03L S2 - SYNC/ASYNC MODE

LOGIC ONE BITS 0 1
LOGIC ZERO BITS 2 3
SYNC ENA 4 5
ASYNC ENA 6 7

06L S3 - 1ST POLLING ADDRESS

LOGIC ONE BITS 0 1
LOGIC ZERO BITS 2 3
DSAA POLLING 4 5
EMA POLLING 6 7

08L S4 - 2ND POLLING ADDRESS

LOGIC ONE BITS 0 1
LOGIC ZERO BITS 2 3
EMA POLL BUFFER 4 5
DSAA POLL BUFFER 6 7

09L S5 - 1ST GROUP POLL ADDR

LOGIC ONE BITS 0 1
LOGIC ZERO BITS 2 3
EMA 4 5
DSAA 6 7

09L S6 - 2ND GROUP POLL ADDR

LOGIC ONE BITS 0 1
LOGIC ZERO BITS 2 3
EMA 4 5
DSAA 6 7

011L S7 - GROUP SELECT ADDR

LOGIC ONE BITS 0 1
LOGIC ZERO BITS 2 3
EMA 4 5
DSAA 6 7

BAUD RATE

011M	010M
<input type="radio"/> 7	<input type="radio"/> 14

S4 - PRINTER S3 - MODEM (STD DEFAULT SETTING)

BAUD RATE SWITCH POSITION

BAUD RATE	SWITCH POSITION
50	0
75	1
110	2
134.5	3
150	4
300	5
600	6
1200	7
1800	8
2000	9
2400	10
3600	11
4800	12
7200	13
9600	14
X	15

THE LOCATIONS AND FACTORY SETTINGS OF THE CONFIGURATIONS CONTROL SWITCHES SHOWN APPLY TO:

PRINTED WIRING BOARD (129812-5)
OPTION PRINTED WIRING BOARD (129832-5)

IF YOU NEED TO MAKE CHANGES, PLEASE REFER TO THE USERS REFERENCE MANUAL.

NOTES:

1. SWITCH POSITION ON = CLOSED = LOGICAL 0
2. SWITCH POSITION OFF = OPEN = LOGICAL 1
3. ○ = STANDARD ○ = OPTIONAL ● = RESERVED
4. EXECUTE TERMINAL RESET AFTER CHANGING ANY SWITCH POSITION IN ORDER TO REINITIALIZE ADM-42 LOGIC

TABLE 1

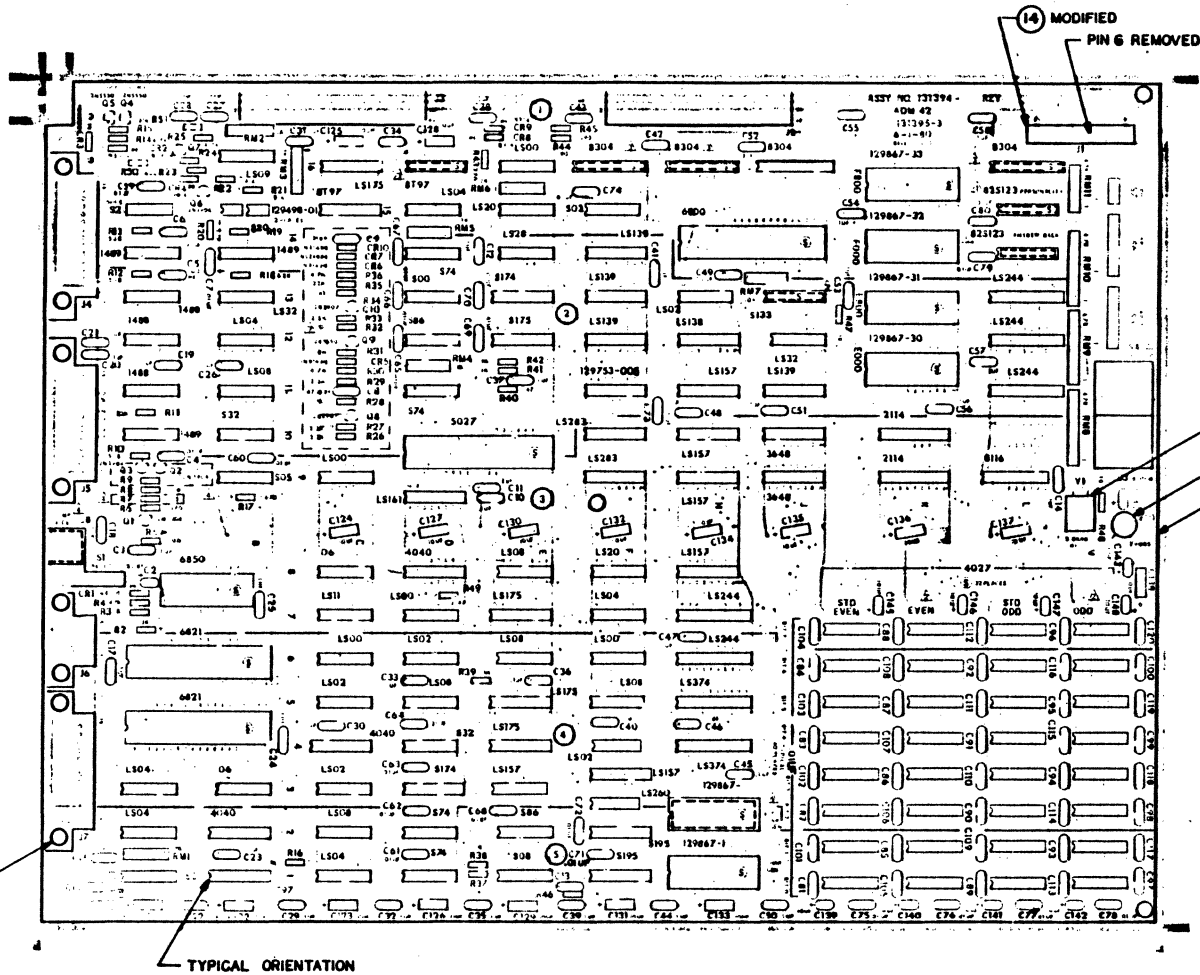
SW-3	SW-4	SW-5	PARITY	STOP	BITS
ON	ON	ON	EVEN	2	7
OFF	ON	ON	ODD	2	7
ON	OFF	ON	EVEN	1	7
OFF	OFF	ON	ODD	1	7
ON	ON	OFF	NONE	2	8
OFF	ON	OFF	NONE	1	8
ON	OFF	OFF	EVEN	1	8
OFF	OFF	OFF	ODD	1	8

CAUTION

IN COLD CLIMATES, CARE SHOULD BE EXERCISED TO ALLOW THE TEMPERATURE OF THE TERMINAL TO EQUALIZE WITH ROOM TEMPERATURE BEFORE REMOVING THE UNIT FROM THE SHIPPING CARTON; THIS WILL PREVENT MOISTURE FROM CONDENSING ON A COLD TERMINAL EXPOSED TO WARM AIR. AVOID OPERATING THE UNIT ON A SOFT SURFACE, SUCH AS CARPETING, WHICH WOULD OBSTRUCT THE FLOW OF COOLING AIR UP THROUGH THE BOTTOM OF THE CHASSIS. THIS COULD RESULT IN OVERHEATING AND DAMAGE TO THE UNIT.

UNLESS OTHERWISE SPECIFIED: DIM. IN INCHES TOLERANCES: X ± 1 XX ± 0.3 XXX ± 0.10 ANGLES ± 0.5°		CONTR. NO. DR CHK DSGN ENGR PROJ <i>A. Patel - 3/19/80</i> REL <i>J. Higgins 4/23/80</i>	LEAR SIEGLER, INC. DATA PRODUCTS DIVISION ANAHEIM, CALIFORNIA 92803
DASH NO. 129810	AD-42	APPD	ADM 42 CONFIGURATION CONTROL SWITCH SETTINGS
APPLICATION	PROPRIETARY LEGEND EXCEPT AS MAY BE OTHERWISE AUTHORIZED BY CONTRACT, THESE DRAWINGS AND SPECIFICATIONS ARE THE PROPERTY OF LEAR SIEGLER, INC. ARE ISSUED IN STRICT CONFIDENCE, AND SHALL NOT BE REPRODUCED, COPIED, OR USED FOR THE MANUFACTURE OR SALE OF THE APPARATUS WITHOUT WRITTEN PERMISSION.	APPD	SIZE C FSCM NO. 98438 DWG NO. CS131370 LTR C
		SCALE	SHEET 1 OF 1

REV. STAMP		DESCRIPTION	DATE	APPROVED
SHT	ZONE	LTR		
	A	RELEASE PER DCN #	5 FEBRUARY 6-6-80	W. D. ...
	B	INCORP DCU # 171
	C	INCORP DCN # 1902
	D	INCORP DCN # 2785



- NOTES:
- ▲ PERSONALITY OPTION
 - ▲ MEMORY OPTION
 - ▲ OPTION BOARD
 - ▲ COMPOSITE VIDEO OPTION
 - ▲ ANSWER BACK
 - ▲ ALTERNATE CHARACTER SET
 - ▲ DIRECT CONNECT
 - Ⓢ FOR SCHEMATIC SEE 131396
 - Ⓢ FOR OPTIONS SEE 131371
 - II. Ⓢ DENOTES IC SOCKET

FOR PARTS LIST SEE P/L 131394

UNLESS OTHERWISE SPECIFIED DIM IN INCHES TOLERANCES .010 .015 .010 ANGLES 60°		 LEAR SIEGLER, INC PC BOARD ASSEMBLY ADM 42	
I	131390	DL129810	
DASH NO	APPROVED		
PROPRIETARY LEGEND EXCEPT AS MAY BE OTHERWISE AUTHORIZED BY CONTRACT THESE DRAWINGS AND SPECIFICATIONS ARE THE PROPERTY OF LEAR SIEGLER, INC. AND ARE ISSUED IN STRICT CONFIDENCE AND SHALL NOT BE REPRODUCED, COPIED OR USED IN THE MANUFACTURE OR SALE OF THE APPARATUS WITHOUT WRITTEN PERMISSION.		D 98438 131394	SHEET 1