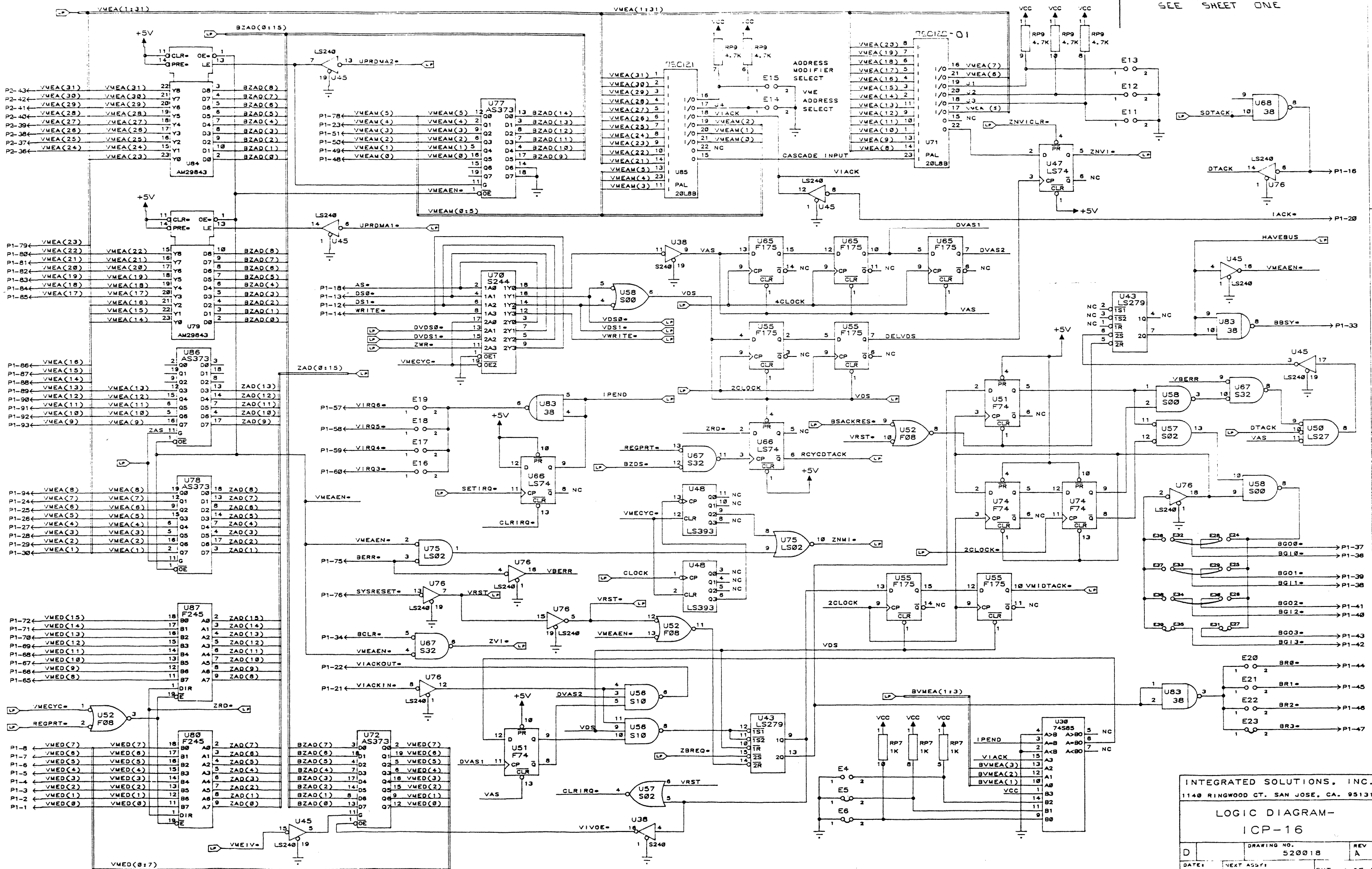
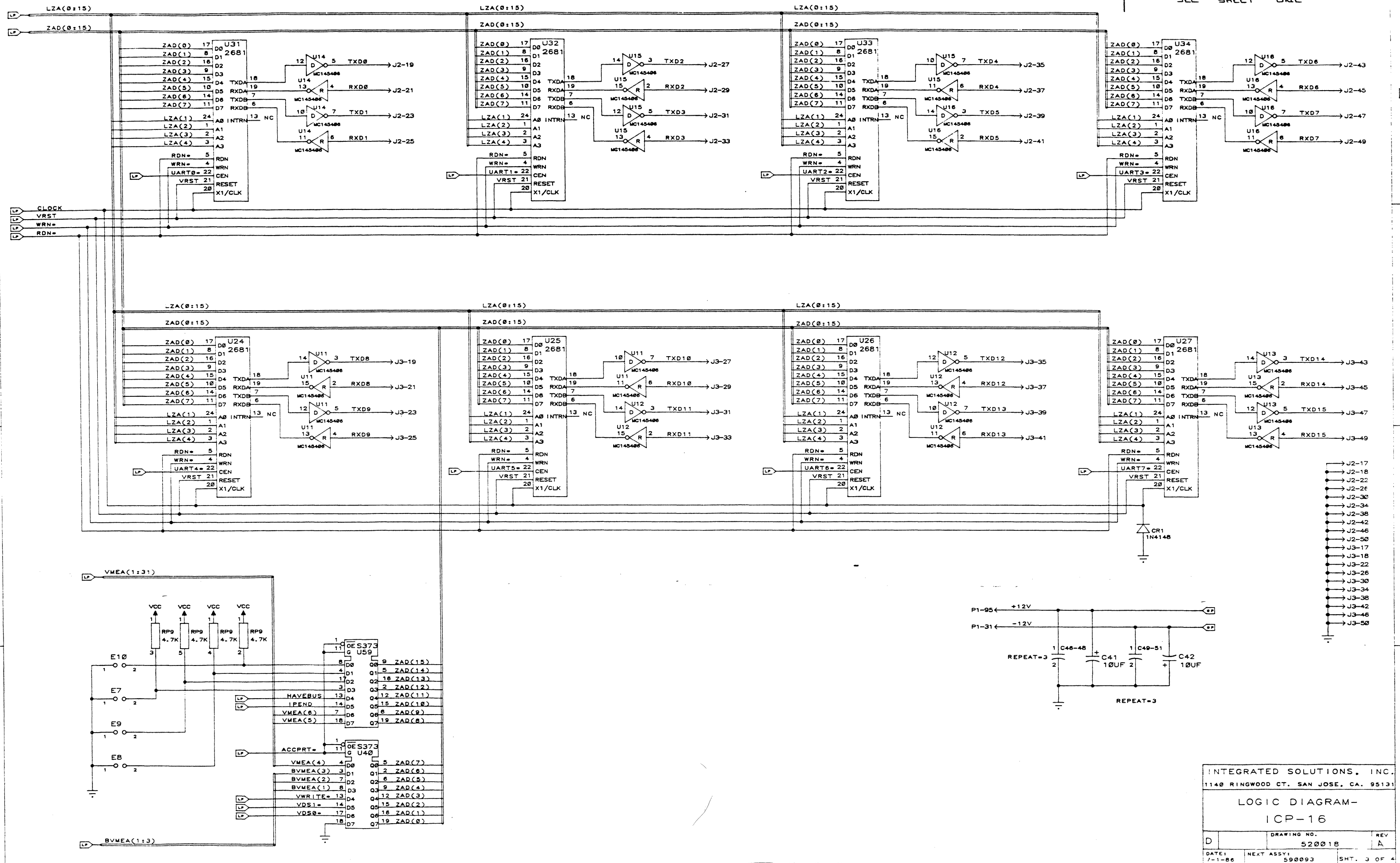


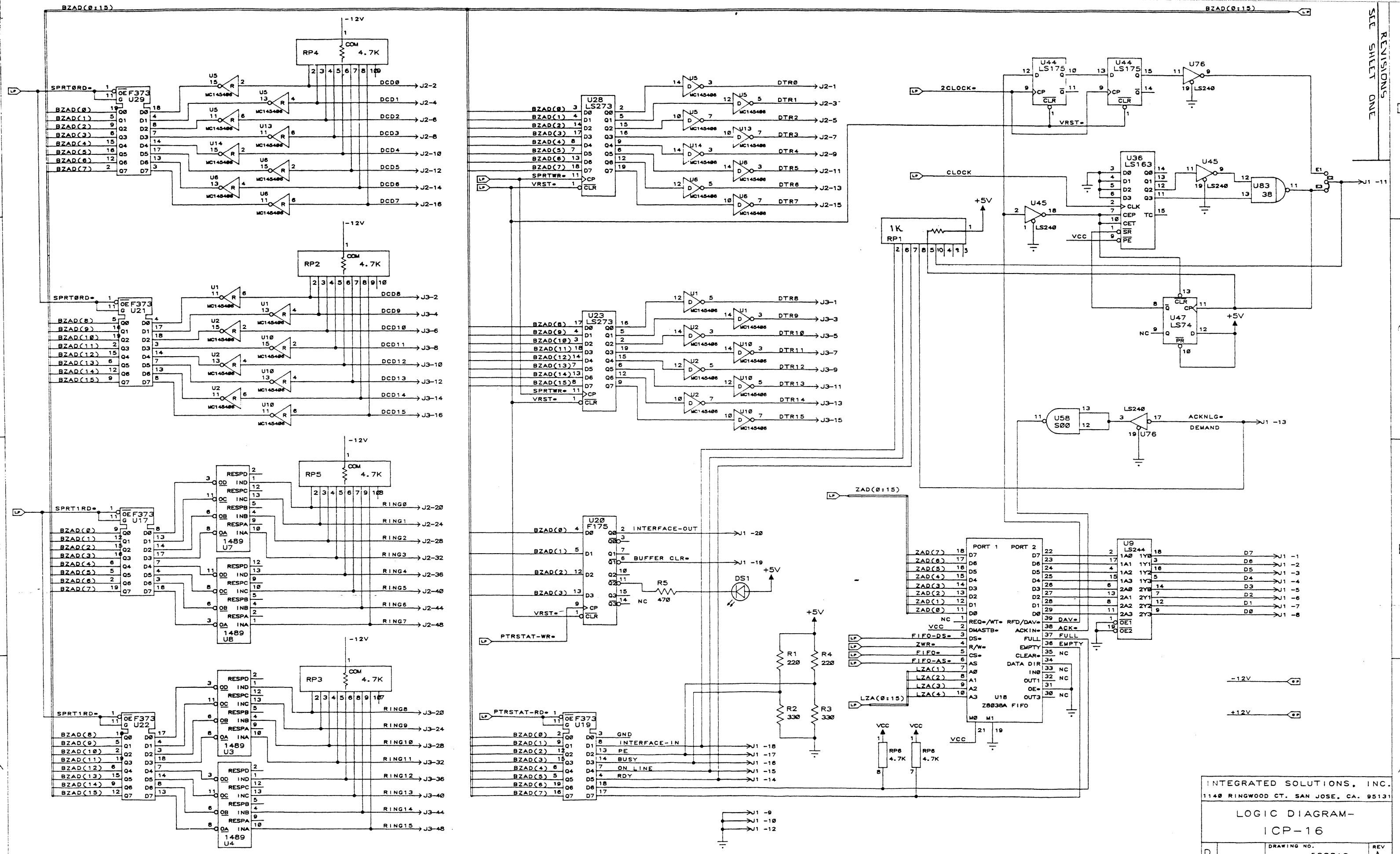
REV	ECN	DESCRIPTION	DATE	APPROV
A	823	PRODUCTION RELEASE	7-20-87	[Signature]
A3	518	CONNECT PIN 17 OF U71 TO VMEA(5)	11-04-86	[Signature]
A2	461	REVISED RPI	8-29-86	[Signature]
A1	436	PRE PRODUCTION RELEASED	8-8-86	[Signature]

INTEGRATED SOLUTIONS, INC.		
1140 RINGWOOD CT. SAN JOSE, CA. 95131		
LOGIC DIAGRAM- ICP-16		
D	DRAWING NO.	REV
	520018	A
DATE:	NEXT ASSY:	SHT. 1 OF 4
07-1-86	590093	







INTEGRATED SOLUTIONS, INC.  
1140 RINGWOOD CT. SAN JOSE, CA. 95131

LOGIC DIAGRAM-  
ICP-16

D	DRAWING NO.	REV
	520018	A
DATE:	NEXT ASSY:	SHT. 4 OF 4
07-1-86	590093	