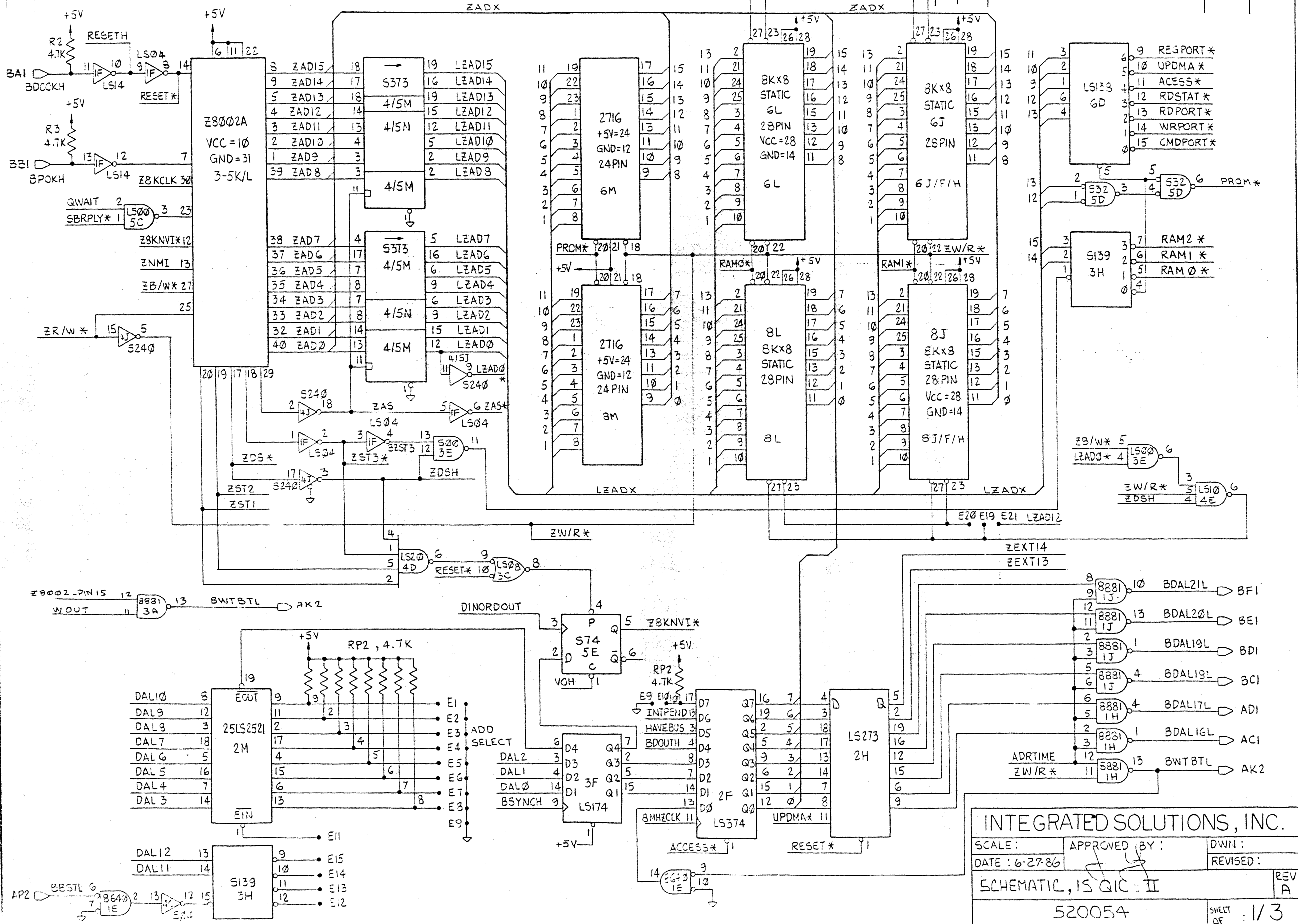
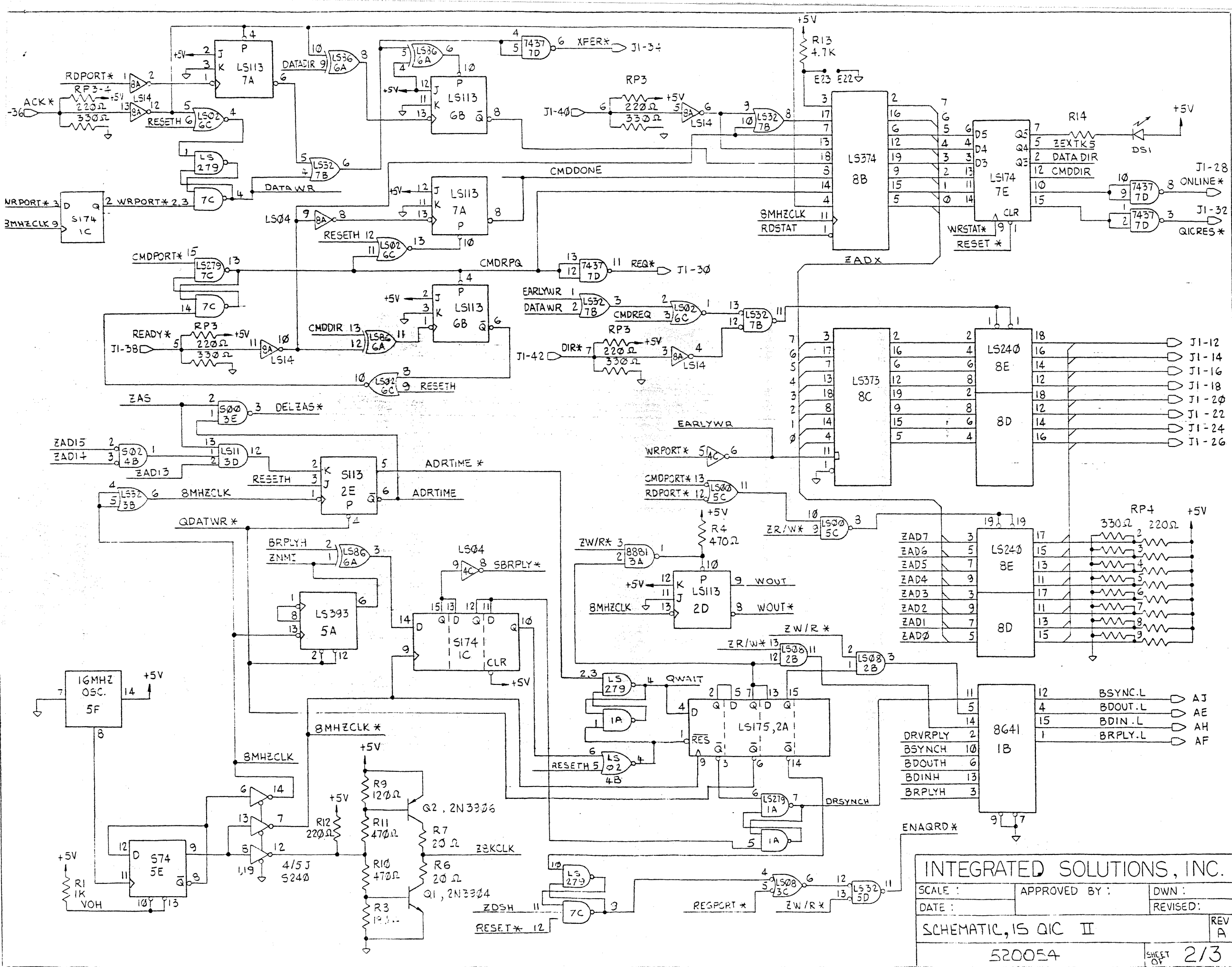


REVISIONS				
REV	ECN	DESCRIPTION	DATE	APPROV
A	312	PRODUCTION RELEASED	6-27-86	[Signature]



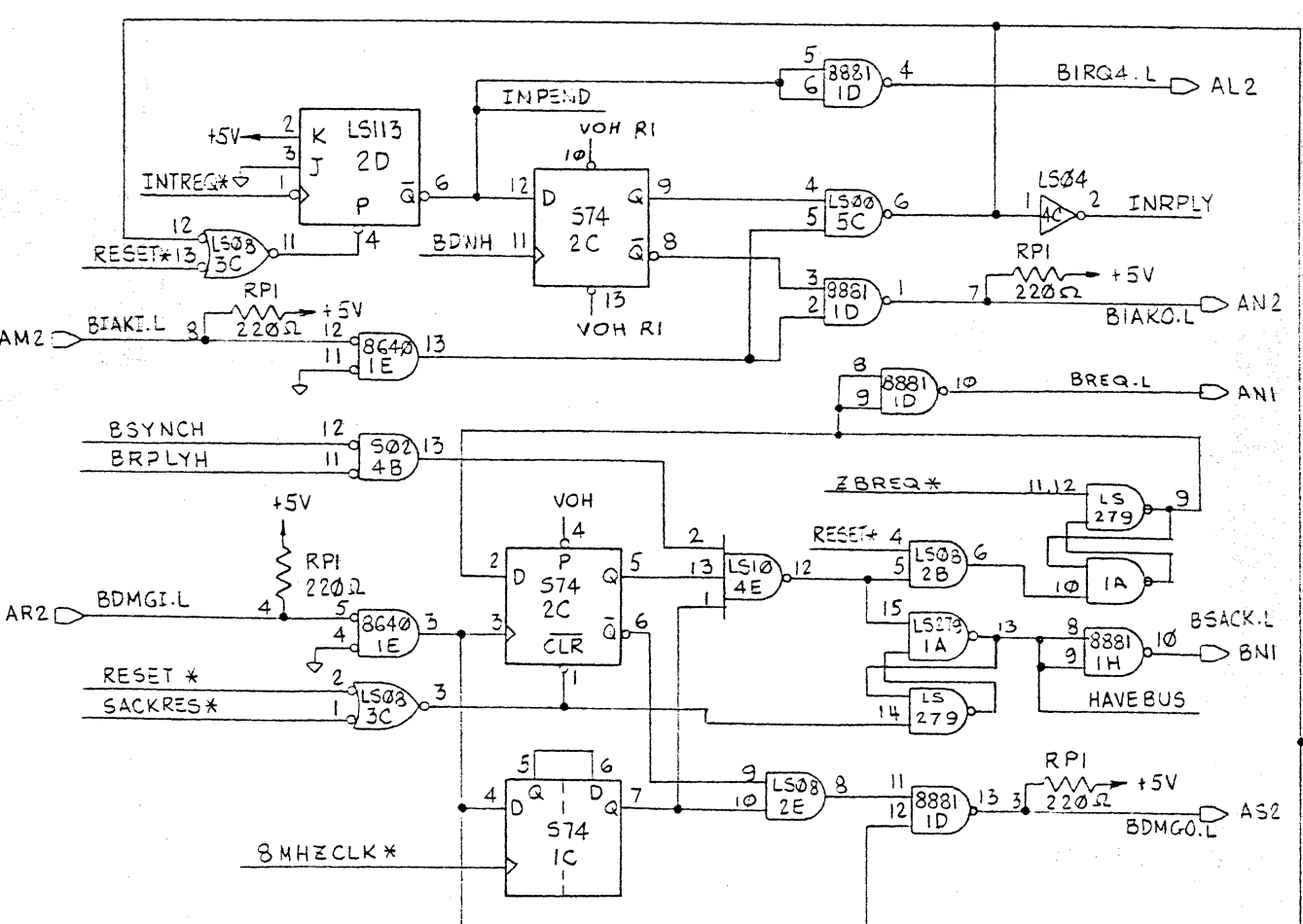
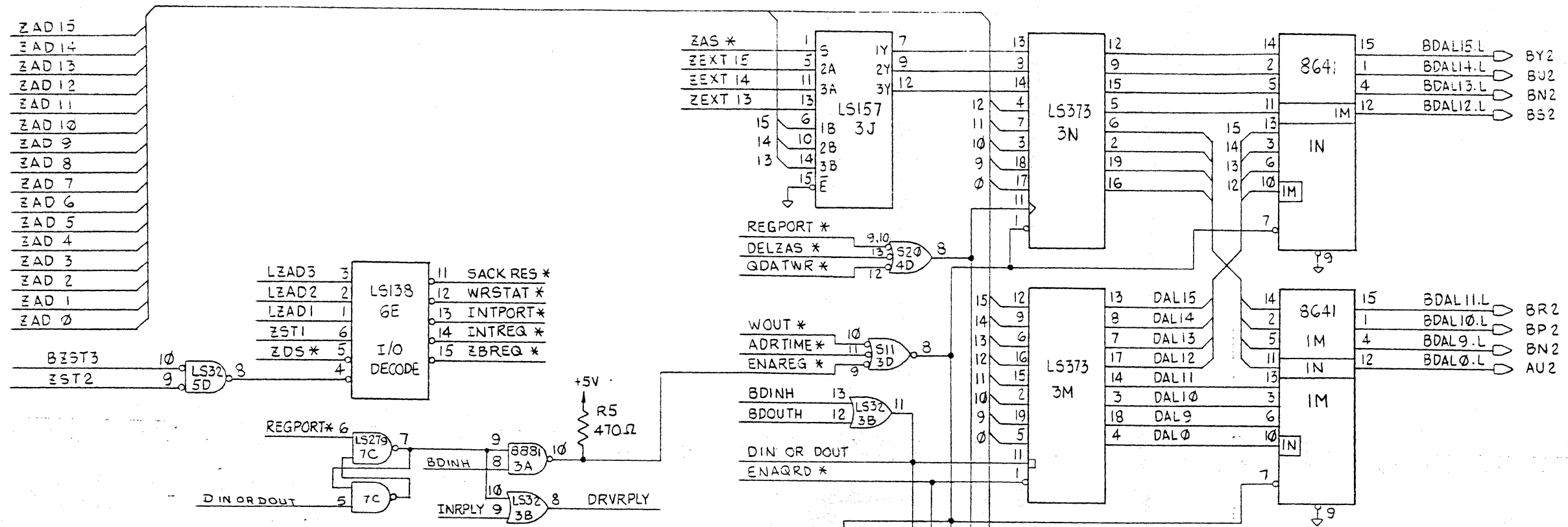
INTEGRATED SOLUTIONS, INC.

SCALE:	APPROVED BY:	DWN:
DATE: 6-27-86	[Signature]	REVISED:
SCHEMATIC, IS QIC: II		REV A
520054		SHEET OF 1/3



INTEGRATED SOLUTIONS, INC.

SCALE :	APPROVED BY :	DWN :
DATE :		REVISED :
SCHEMATIC, IS QIC II		REV A
520054		SHEET 2/3



J1 IS A 50 PIN FLAT RIBBON -
 ALL ODD PINS GND
 +5V BA2, BV1, AA2
 GND BC2, AC2, BM1, BJ1, AM1, AJ1, AT1, BT1.

INTEGRATED SOLUTIONS, INC.
 SCALE: _____ APPROVED BY: _____ OWN: _____
 DATE: _____ REVISED: _____
 SCHEMATIC, IS QIC II
 52005A
 REV A
 SHEET OF 3/3