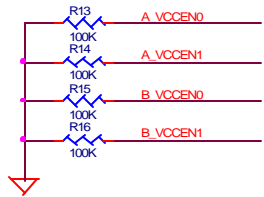


NOTE 1

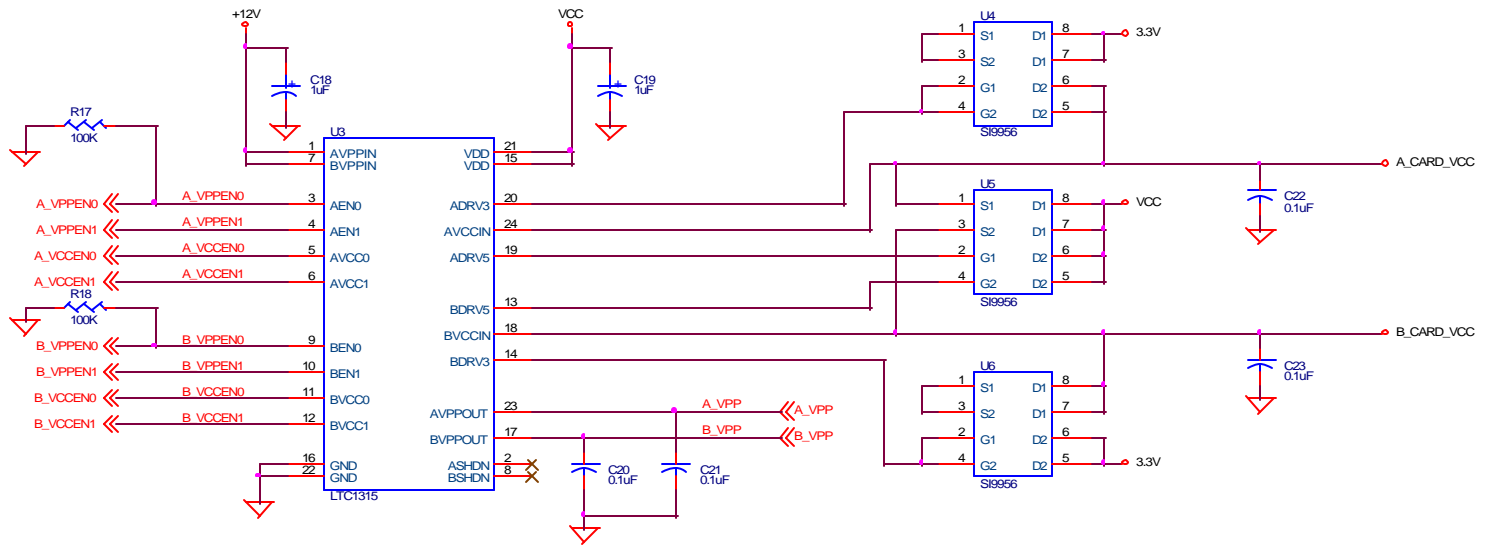


These schematics are provided as a design guide only. Vadem assumes no responsibility for final system design.

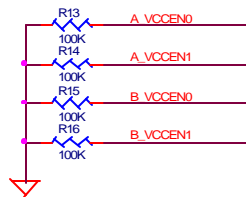
NOTES:

- 1: THESE RESISTORS SET THE OFF POLARITY OF THE VCC ENABLE SIGNALS DURING SYSTEM RESET.

VADEM		
Title: VG-469 NOTEBOOK REF.2 - MAXIM POWER OPTION		
Size: B	Document Number	Rev: 3
Date: Thursday, February 06, 2003	Sheet: 0 5A of 5	



NOTE 1



NOTES:

- 1: THESE RESISTORS SET THE 'OFF' POLARITY OF THE VCC ENABLE SIGNALS DURING SYSTEM RESET.

These schematics are provided as a design guide only. Vadem assumes no responsibility for final system design.

FILE=REF1PG5B.SCH

VADDEM		
Title VG-469 NOTEBOOK REF. 2 - LINEAR POWER OPTION		
Size B	Document Number	Rev 3
Date: Thursday, February 06, 2003	Sheet 0	5 of 5

VG-469

REFERENCE DESIGN #2

NOTEBOOK IMPLEMENTATION

EXTERNAL VOLTAGE SENSE
NO PLUG & PLAY
DMA SUPPORT

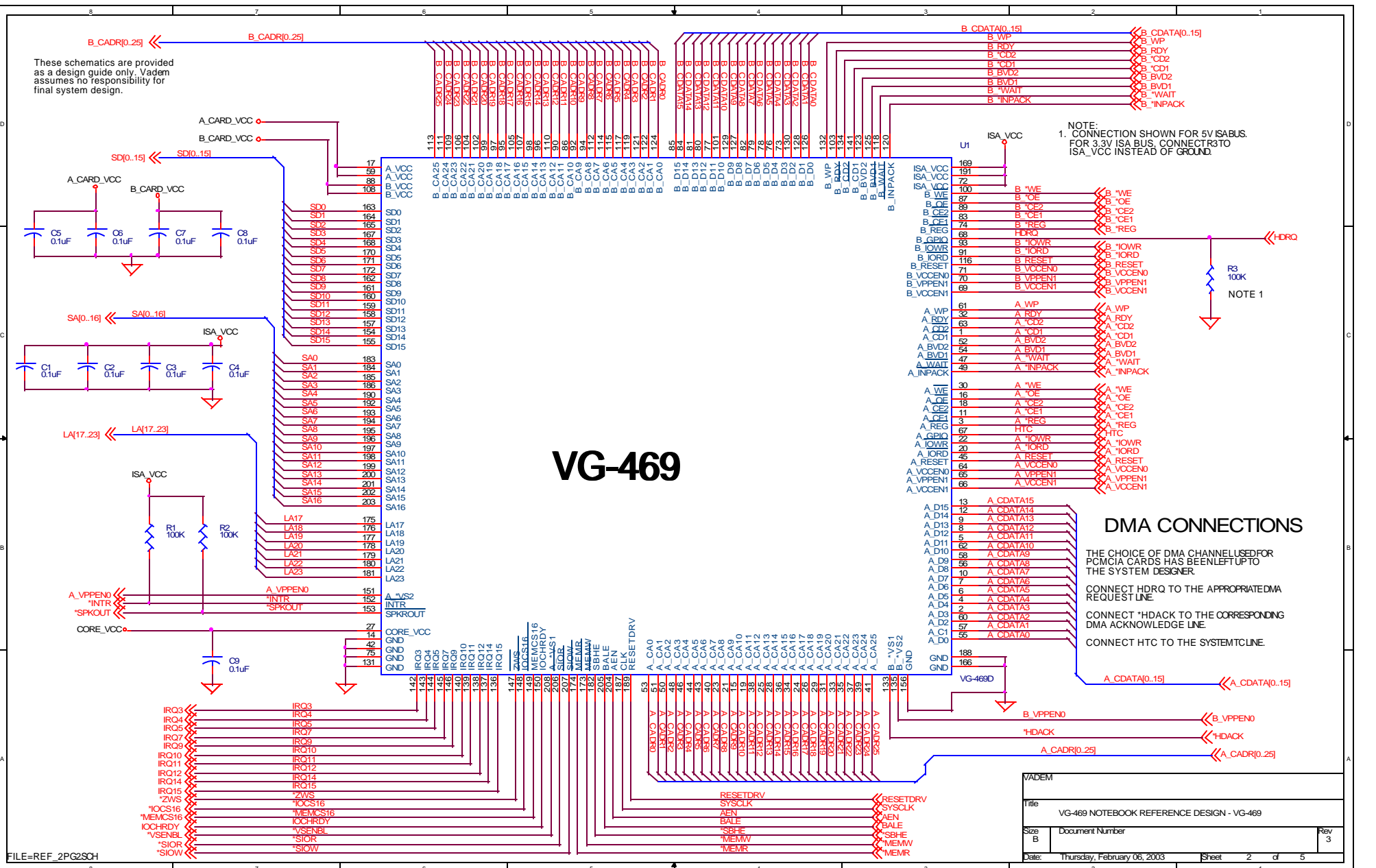
These schematics are provided as a design guide only.
Vadem assumes no responsibility for final system design.

LINK
REF_2PG2SCH
REF_2PG3SCH
REF_2PG4SCH
REF_2PG5SCH
REF2PG5A.SCH
REF2PG5B.SCH

FILE=469REF_2SCH

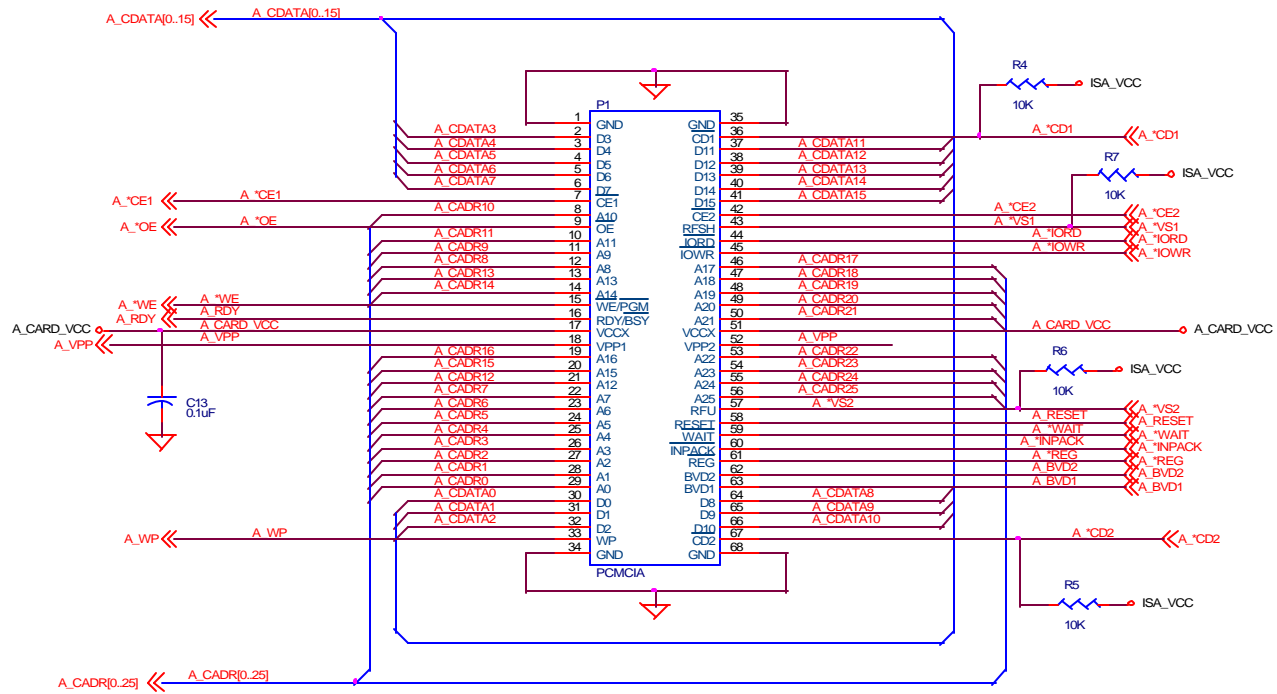
VADEM		
Title VG-469 NOTEBOOK REFERENCE DESIGN		
Size B	Document Number	Rev 3
Date: Thursday, February 06, 2003	Sheet 1	of 5

These schematics are provided as a design guide only. Vadem assumes no responsibility for final system design.

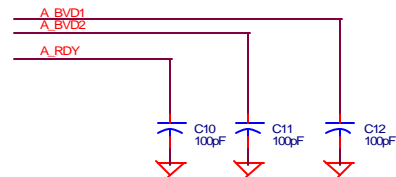


VG-469

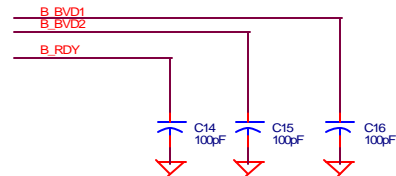
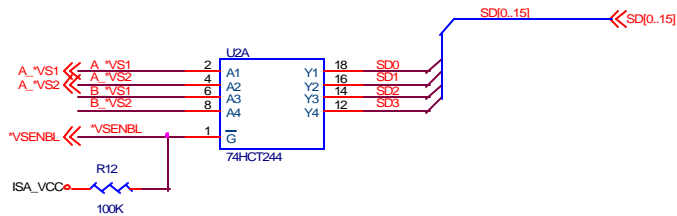
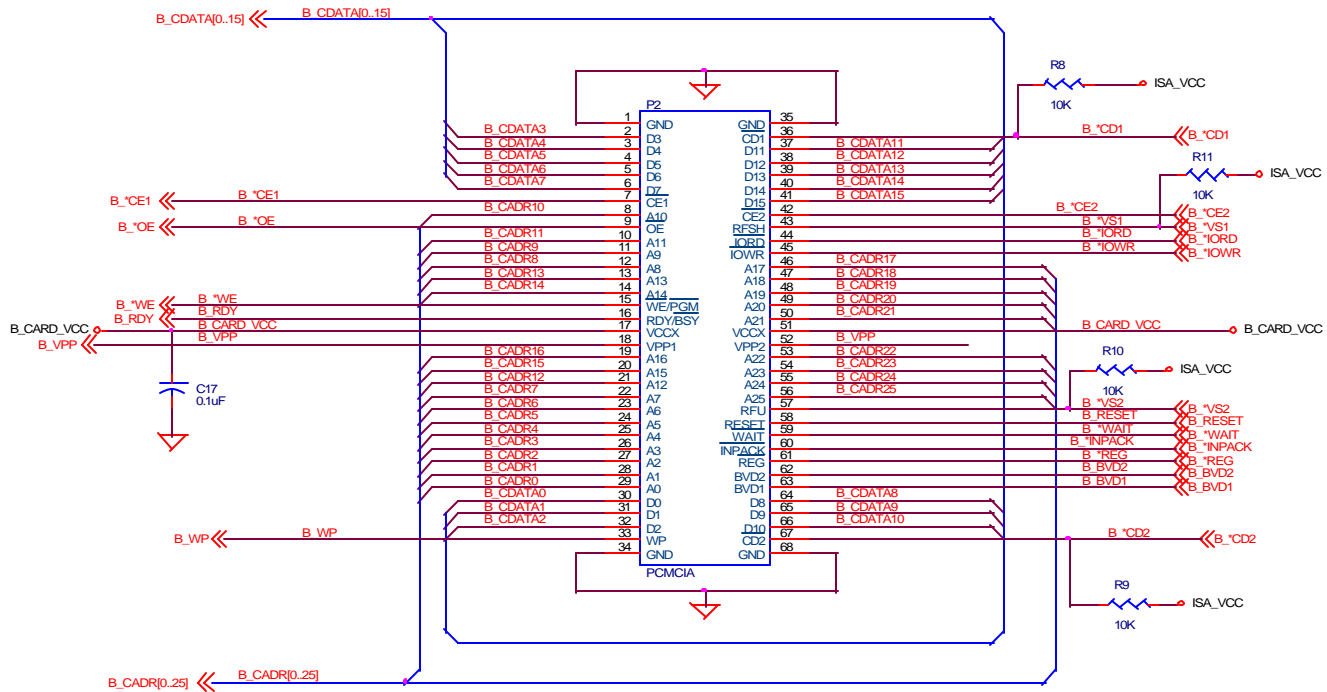
Title		VG-469 NOTEBOOK REFERENCE DESIGN - VG-469	
Size	Document Number		
Date:	Thursday, February 06, 2003	Sheet	2 of 5
		Rev	3



These schematics are provided as a design guide only.
Vadem assumes no responsibility for final system design.



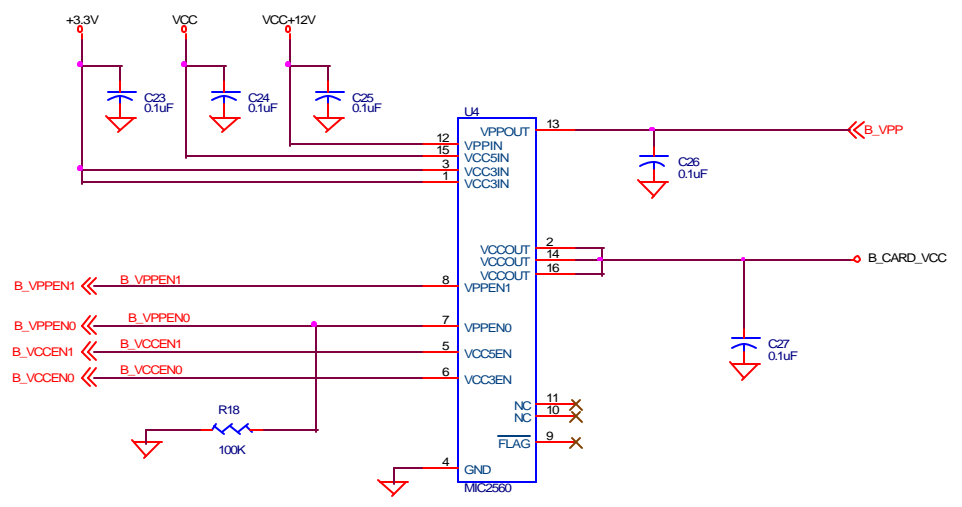
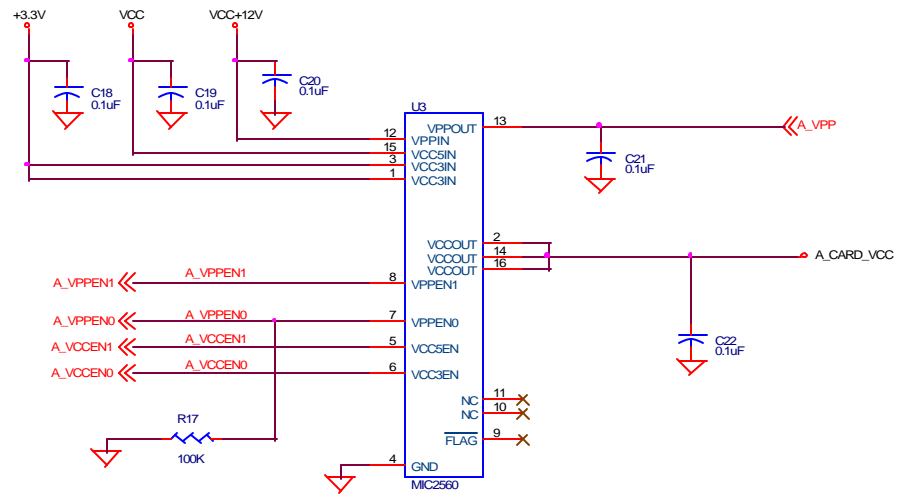
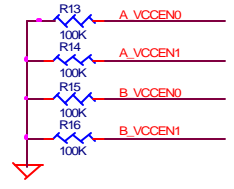
VADEM		
Title VG-469 NOTEBOOK REFERENCE - PCMCIA SLOT A		
Size B	Document Number	Rev 3
Date:	Thursday, February 06, 2003	Sheet 3 of 5



These schematics are provided as a design guide only.
Vadem assumes no responsibility for final system design.

VADEM		
Title VG-469 NOTEBOOK REFERENCE - PCMCIA SLOT B		
Size B	Document Number	Rev 3
Date: Thursday, February 06, 2003	Sheet 4	of 5

NOTE:
 THESE RESISTORS SET
 THE "OFF" POLARITY
 OF THE VCC ENABLE
 SIGNALS DURING SYSTEM
 RESET.



These schematics are provided as a design guide only.
 Vadem assumes no responsibility for final system design.

VADEM		
Title: VG-469 NOTEBOOK REF. 2 - MICREL POWER OPTION		
Size: B	Document Number	Rev: 3
Date: Thursday, February 06, 2003	Sheet: 5	of 5