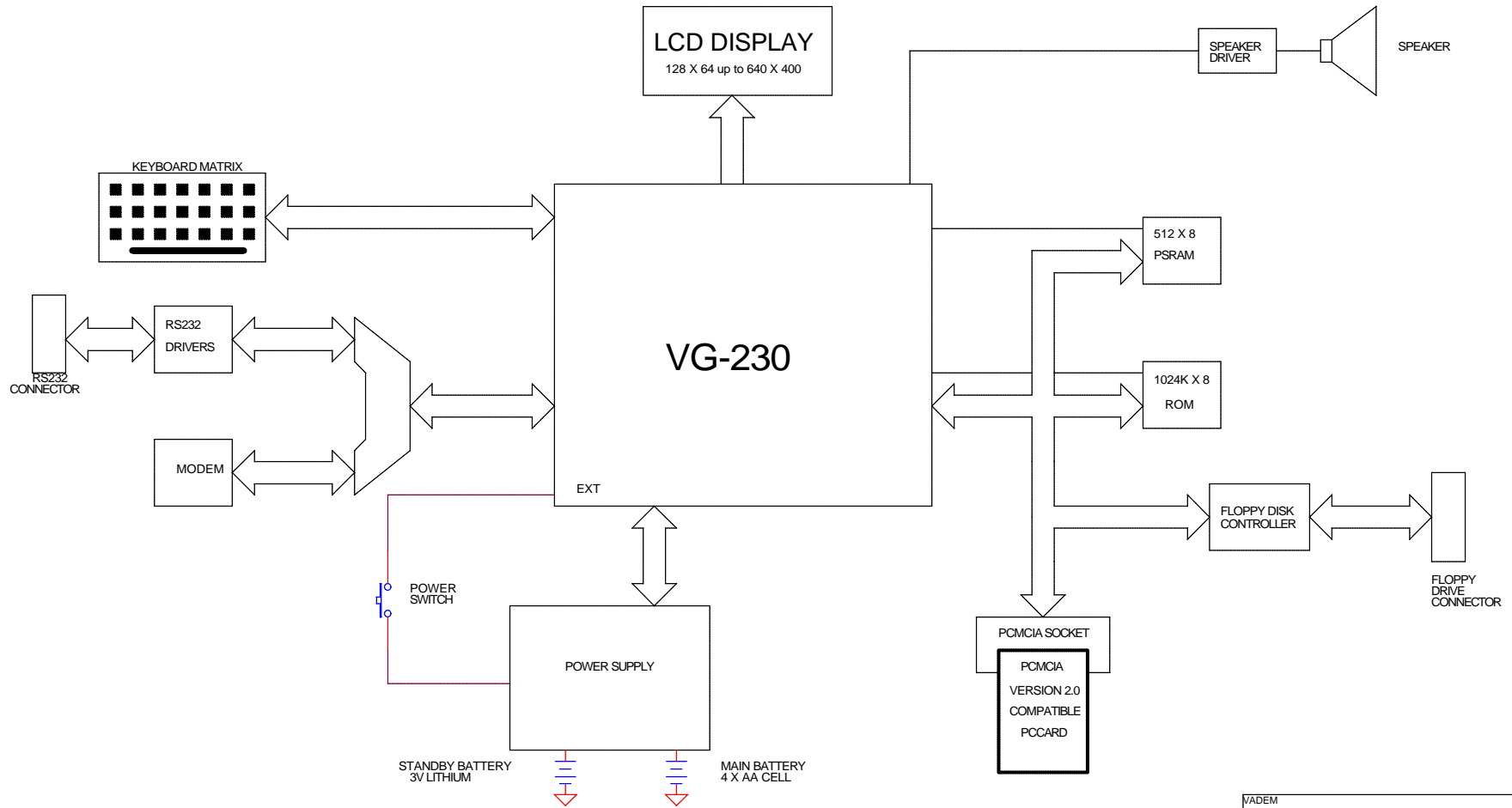


THESE SCHEMATICS ARE PROVIDED AS A DESIGN GUIDE ONLY.  
 VADEM ASSUMES NO RESPONSIBILITY FOR FINAL SYSTEM DESIGN.

VADEM		
Title VG-230 SAMPLE SCHEMATICS - CONFIG. 6		
Size B	Document Number	Rev 4
Date: Wednesday, March 17, 2004	Sheet 1 of 7	

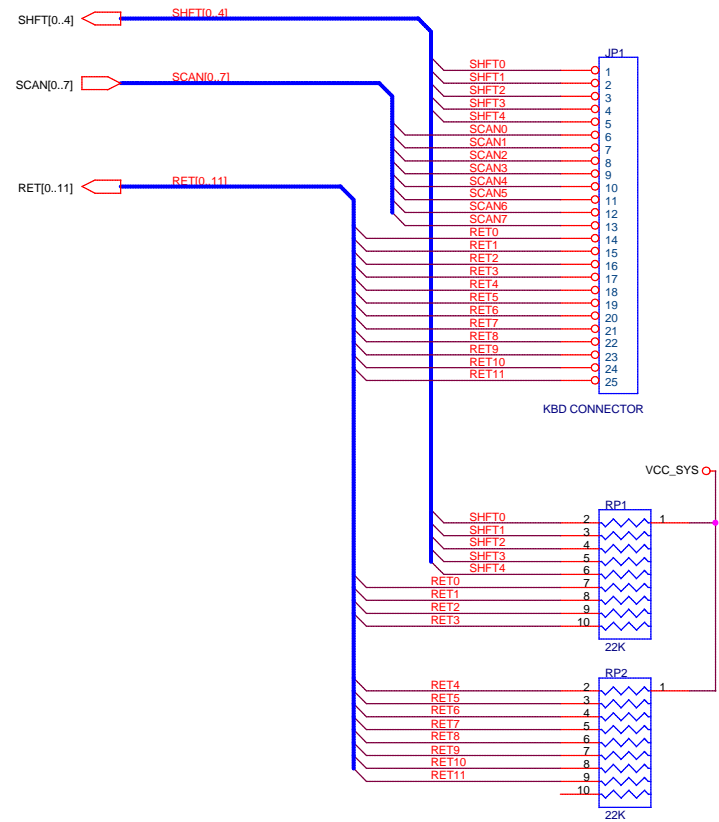
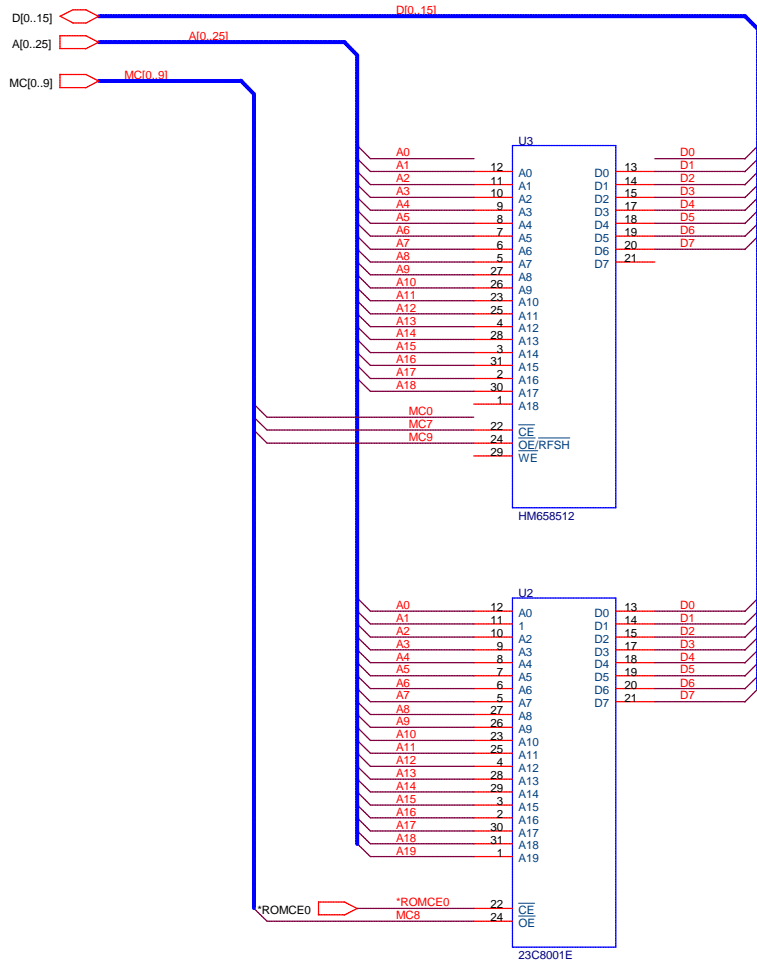
# VG-230 - CONFIGURATION 6



THESE SCHEMATICS ARE PROVIDED AS A DESIGN GUIDE ONLY.  
 AMPHUS/VADEM ASSUMES NO RESPONSIBILITY FOR FINAL SYSTEM DESIGN.

VADEM		
Title VG-230 CONFIGURATION 6 - BLOCK DIAGRAM		
Size B	Document Number	Rev 4
Date: Wednesday, March 31, 2004	Sheet 2 of 7	





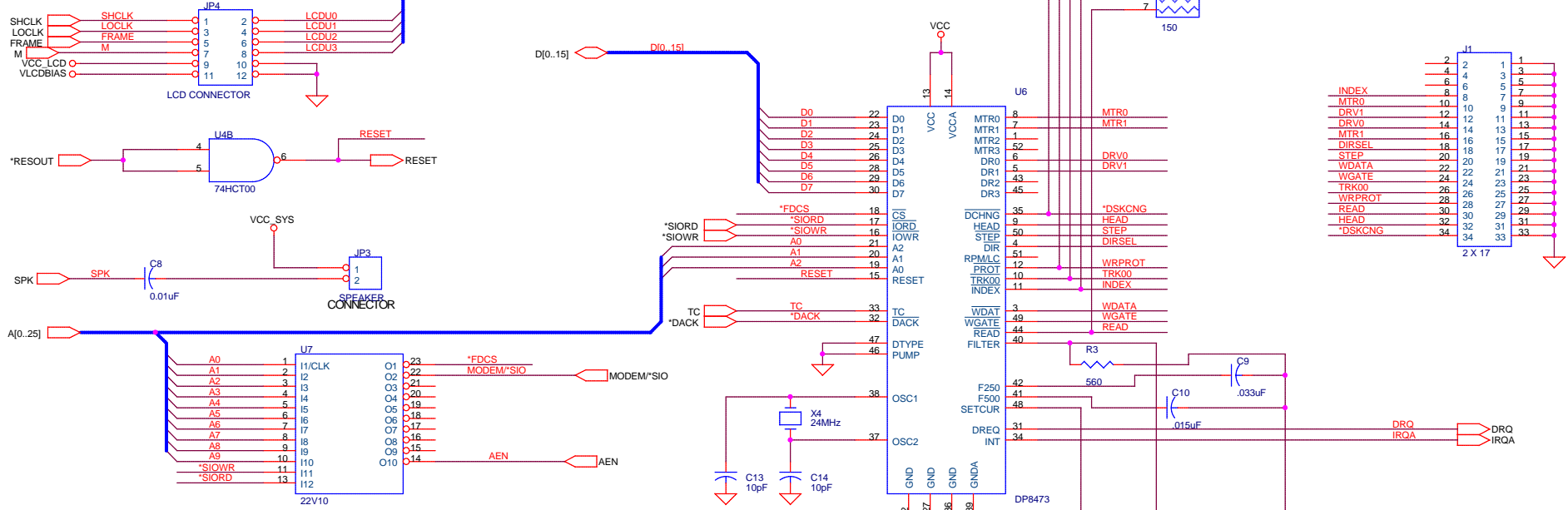
THESE SCHEMATICS ARE PROVIDED AS A DESIGN GUIDE ONLY.  
VADEM ASSUMES NO RESPONSIBILITY FOR FINAL SYSTEM DESIGN.

VADEM		
Title VG-230 CONFIGURATION 6 - SYSTEM MEMORY		
Size B	Document Number	Rev 4
Date: Wednesday, March 17, 2004	Sheet 4 of 7	

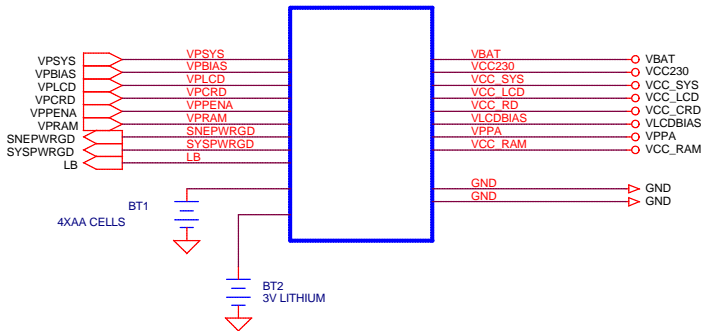


# LCD INTERFACE

(320 X 200 DISPLAY)



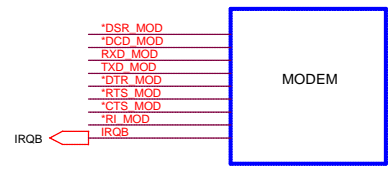
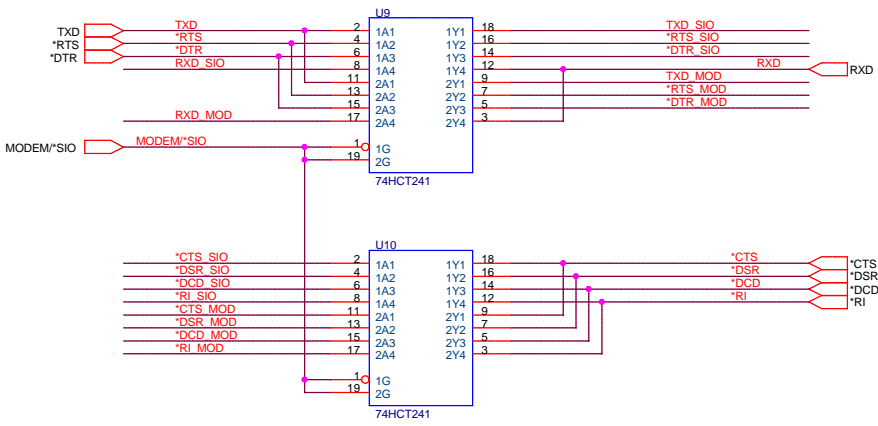
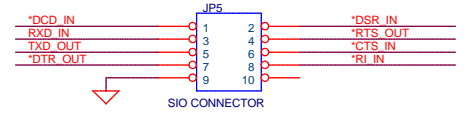
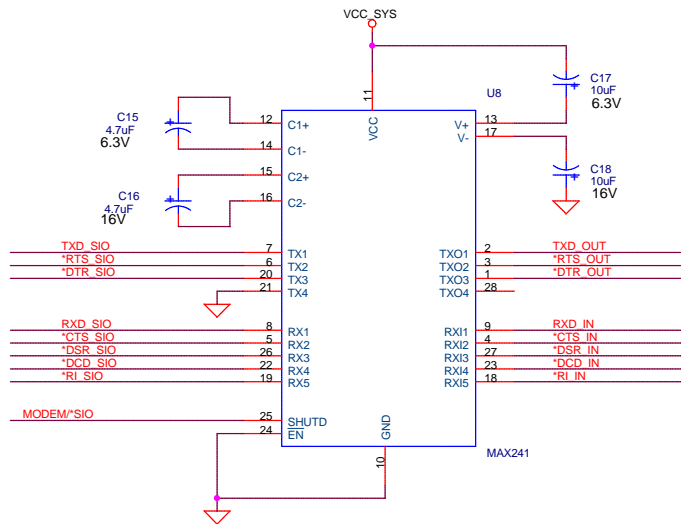
# POWER SUPPLY



THESE SCHEMATICS ARE PROVIDED AS A DESIGN GUIDE ONLY.  
VADEM ASSUMES NO RESPONSIBILITY FOR FINAL SYSTEM DESIGN.

VADEM		
Title VG-230 CONFIGURATION 6 - I/F CONNECTORS		
Size B	Document Number	Rev 4
Date: Wednesday, March 17, 2004	Sheet 6	of 7

# MODEM/SERIAL INTERFACE



THESE SCHEMATICS ARE PROVIDED AS A DESIGN GUIDE ONLY. VADEM ASSUMES NO RESPONSIBILITY FOR FINAL SYSTEM DESIGN.

VADEM		
Title VG-230 CONFIGURATION 6 -MODEM/SERIAL I/F		
Size B	Document Number	Rev 4
Date: Wednesday, March 17, 2004	Sheet 7	of 7