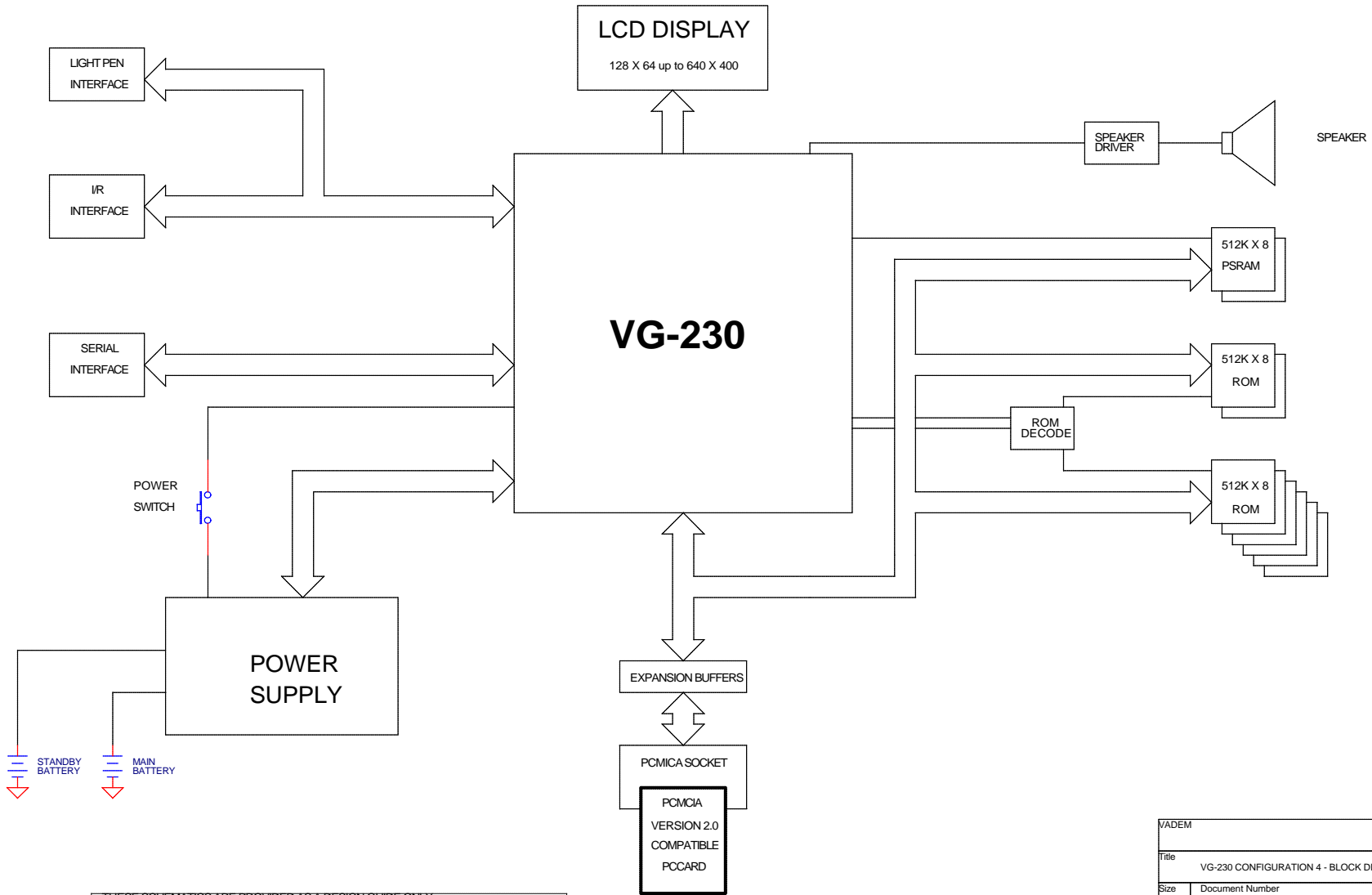


THESE SCHEMATICS ARE PROVIDED AS A DESIGN GUIDE ONLY.
VADEM ASSUMES NO RESPONSIBILITY FOR FINAL SYSTEM DESIGN.

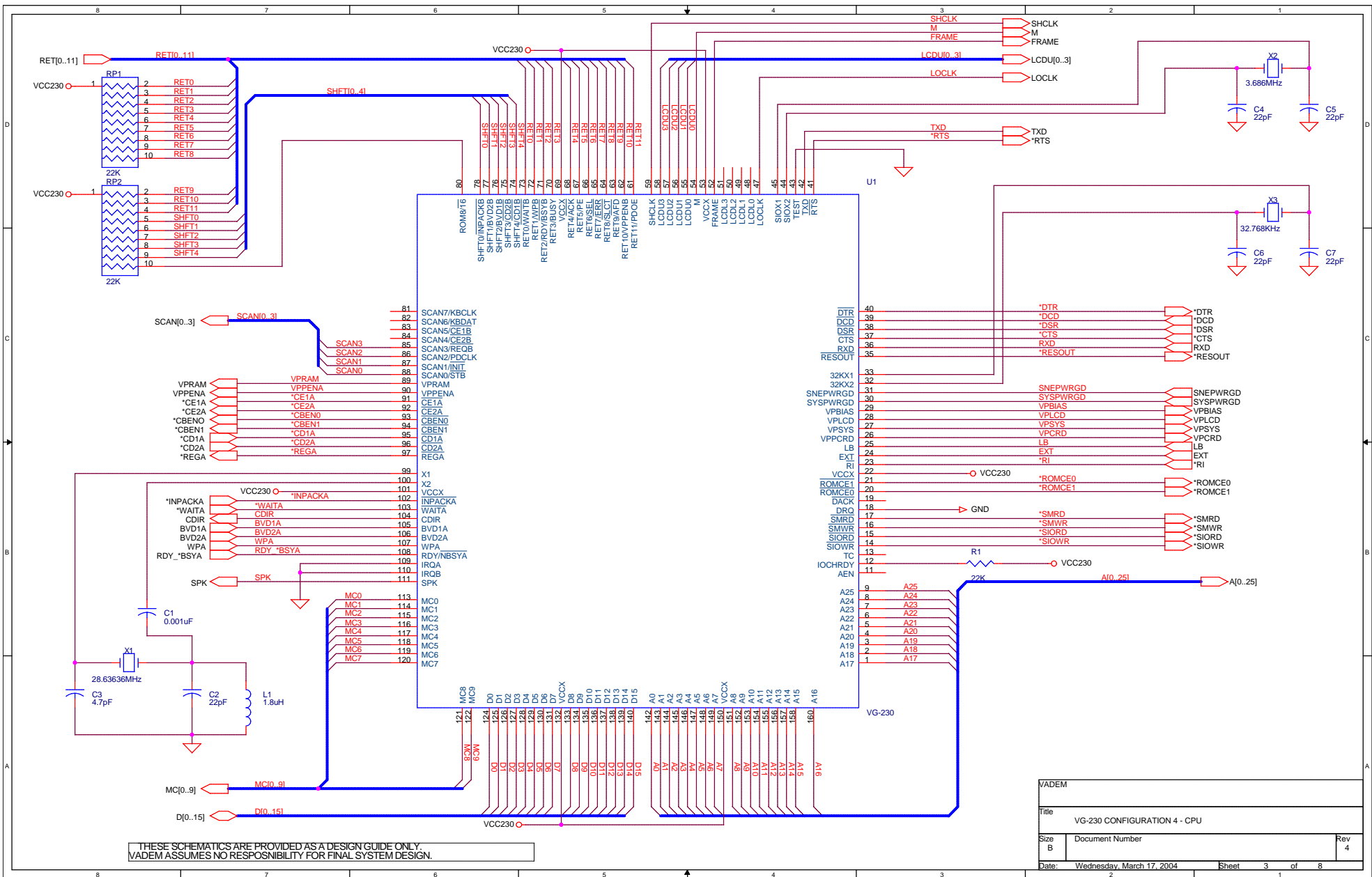
VADEM		
Title VG-230 SAMPLE SCHEMATICS - CONFIG. 4		
Size B	Document Number	Rev 4
Date: Wednesday, March 17, 2004	Sheet 1 of 8	

VG-230 - CONFIGURATION 4



THESE SCHEMATICS ARE PROVIDED AS A DESIGN GUIDE ONLY.
 AMPHUS/VADEM ASSUMES NO RESPONSIBILITY FOR FINAL SYSTEM DESIGN.

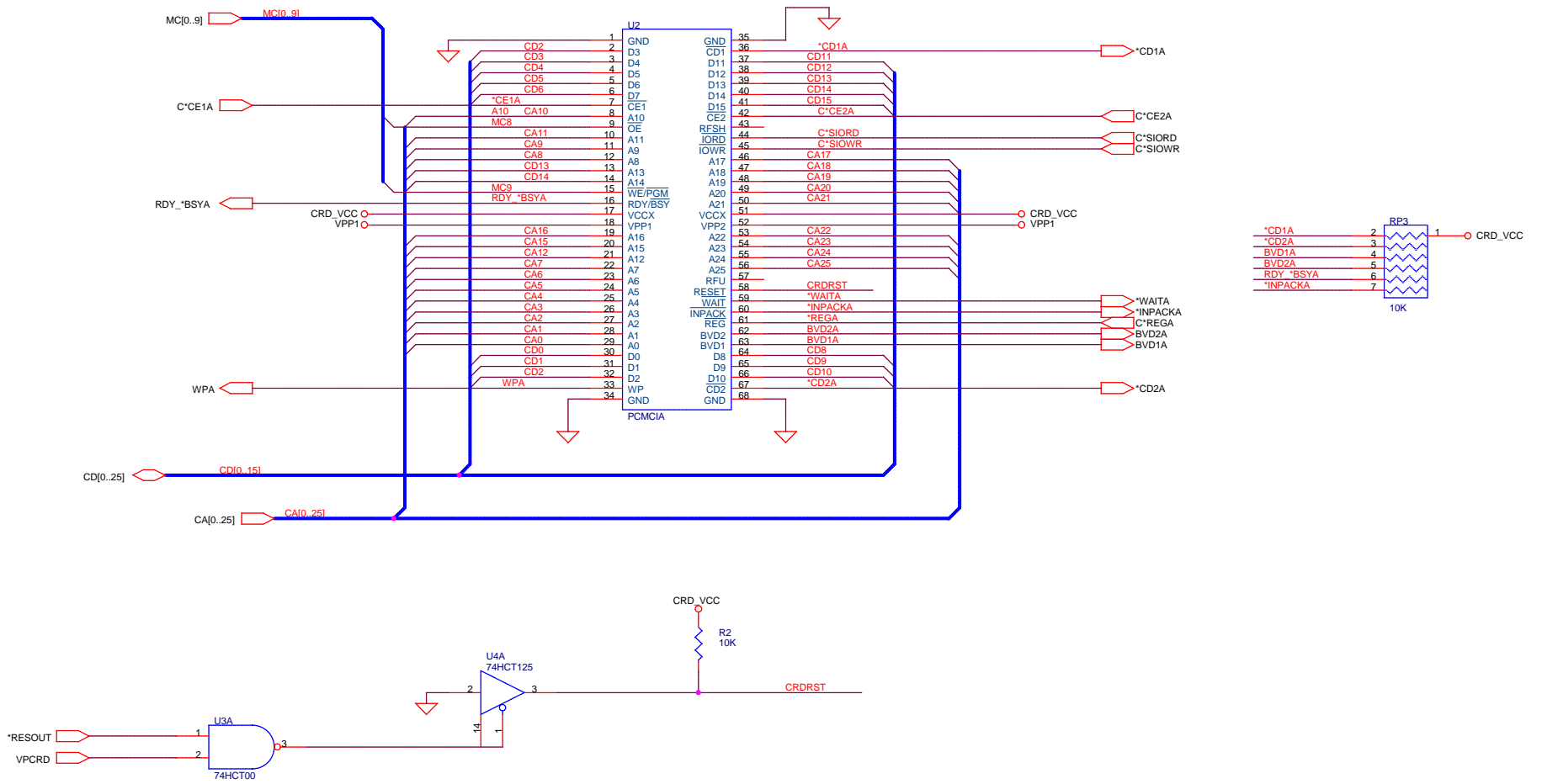
VADEM		
Title VG-230 CONFIGURATION 4 - BLOCK DIAGRAM		
Size B	Document Number	Rev 4
Date: Wednesday, March 31, 2004	Sheet 2 of 8	



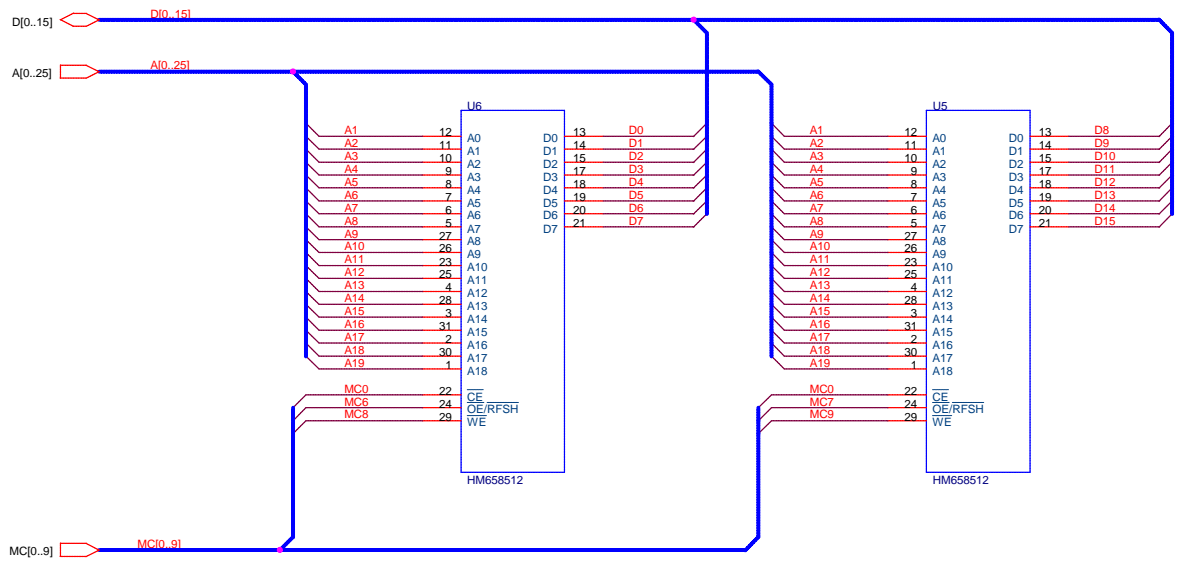
THESE SCHEMATICS ARE PROVIDED AS A DESIGN GUIDE ONLY. VADEM ASSUMES NO RESPONSIBILITY FOR FINAL SYSTEM DESIGN.

VADEM		
Title VG-230 CONFIGURATION 4 - CPU		
Size B	Document Number	Rev 4
Date: Wednesday, March 17, 2004	Sheet 3 of 8	

THESE SCHEMATICS ARE PROVIDED AS A DESIGN GUIDE ONLY.
VADEM ASSUMES NO RESPONSIBILITY FOR FINAL SYSTEM DESIGN.

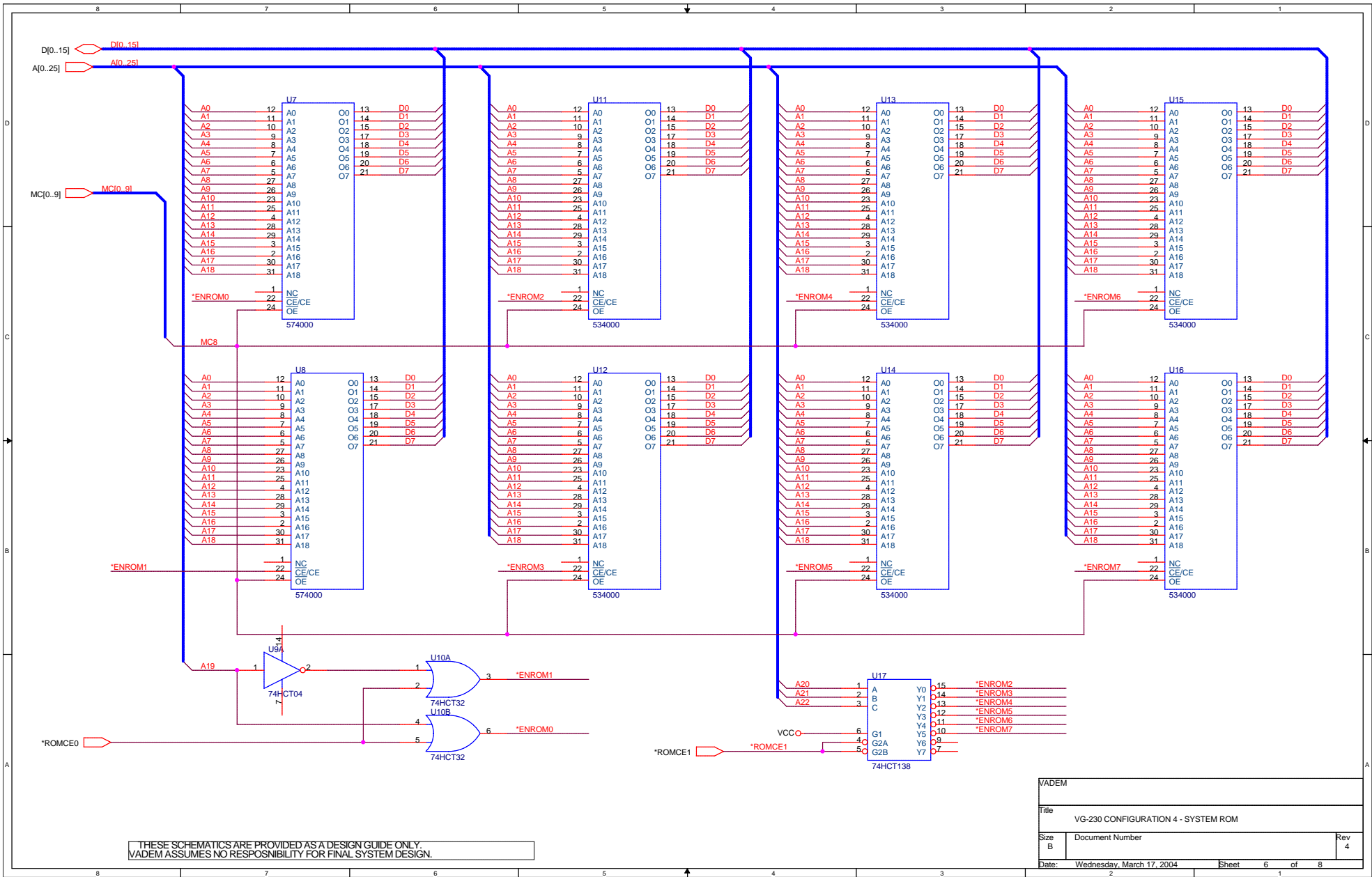


VADEM		
Title VG-230 CONFIGURATION 4 - PCMCIA CONNECTOR		
Size B	Document Number	Rev 4
Date: Wednesday, March 17, 2004	Sheet 4	of 8



THESE SCHEMATICS ARE PROVIDED AS A DESIGN GUIDE ONLY.
VADEM ASSUMES NO RESPONSIBILITY FOR FINAL SYSTEM DESIGN.

VADEM		
Title VG-230 CONFIGURATION 4 - SYSTEM MEMORY		
Size B	Document Number	Rev 4
Date: Wednesday, March 17, 2004	Sheet 5 of 8	

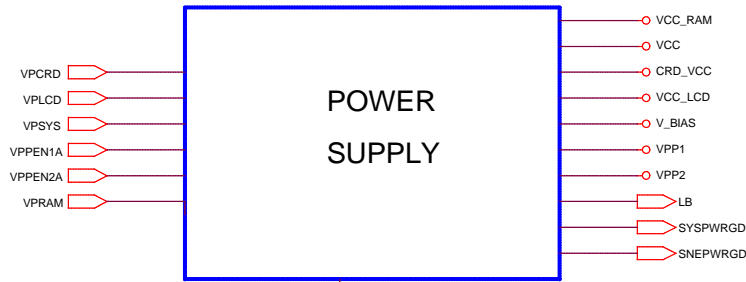
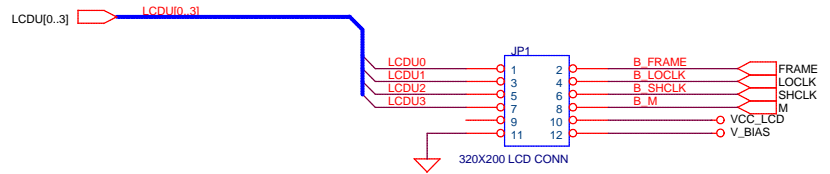


RET[0..11] ← RETI0..111
 SCAN[0..3] ← SCAN0..3I

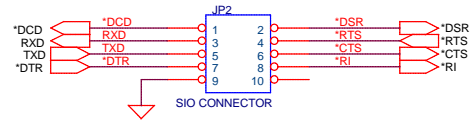
**PEN
INTERFACE**

**I/R
INTERFACE**

SCAN0
SCAN1
RET0
RET1
SCAN2
SCAN3
RET2
RET3

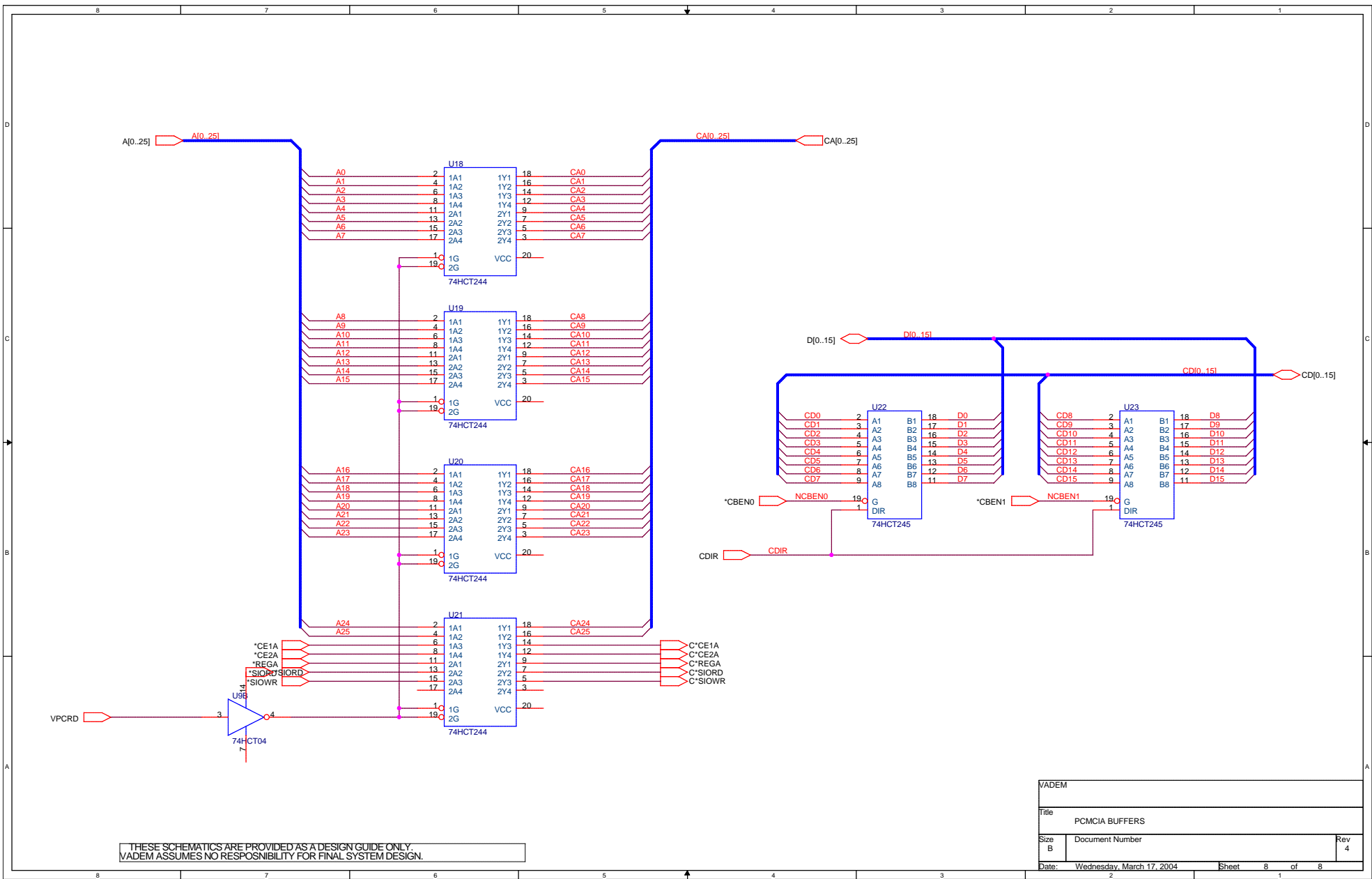


BT1
4 X AAA ALKALINE



THESE SCHEMATICS ARE PROVIDED AS A DESIGN GUIDE ONLY.
 VADEM ASSUMES NO RESPONSIBILITY FOR FINAL SYSTEM DESIGN.

VADEM		
Title VG-230 CONFIGURATION 4 - I/F CONNECTORS		
Size B	Document Number	Rev 4
Date: Wednesday, March 17, 2004	Sheet 7 of 8	



THESE SCHEMATICS ARE PROVIDED AS A DESIGN GUIDE ONLY.
VADEM ASSUMES NO RESPONSIBILITY FOR FINAL SYSTEM DESIGN.

VADEM		
Title PCMCIA BUFFERS		
Size B	Document Number	Rev 4
Date: Wednesday, March 17, 2004	Sheet 8	of 8