

8

7

6

5

↓

4

3

2

1

REVISIONS					
REV.	DATE	DESCRIPTION	BY	DATE	APPROVAL
50	10-2-78	REL TO PILOT PCO #4835	VC		SS
51	5-4-79	ROLLED DIGIT ON U187 U19 CORP L/M CAP C15 VALUE PCO #4472	VC		SS
52	6-5-79	CONNECTED U21-4 TO U21-111 LD2 DISCONNECTED U62-6 FRM TO TD LOADED #4462	VC		SS
53	6-12-79	REV CHG ONLY DUE TO VM CHG PCO #4472	AW		RS SS
54	1-31-80	CHG'D CAP C15 PCO #4409	GK		RS
A	12-2-80	ADDED REVISIONS PAGE #1 REL TO PROD PCO #5315	HW		SS
B	1-28-81	REV CHG PER PCO 5320	NS		RS

D

C

B

A

ITEM NO.	QTY	PART NUMBER	REF. DES.	DESCRIPTION
MATERIAL:				SCALE: NONE
DRAWN: H.W.S. HINSTON				DATE: 12-2-80
CHECKED: [Signature]				DATE: 12-16-80
TREATMENT:				DATE:
UNLESS OTHERWISE SPECIFIED ALL DIMENSIONS IN INCHES TOLERANCES:				DATE:
DECIMAL XX ±	FRACTIONAL X ±	ANGULAR ±	DATE:	DATE:
XXX ±			DATE:	DATE:
SHEET 1 OF 6				REV. B

8

7

6

5

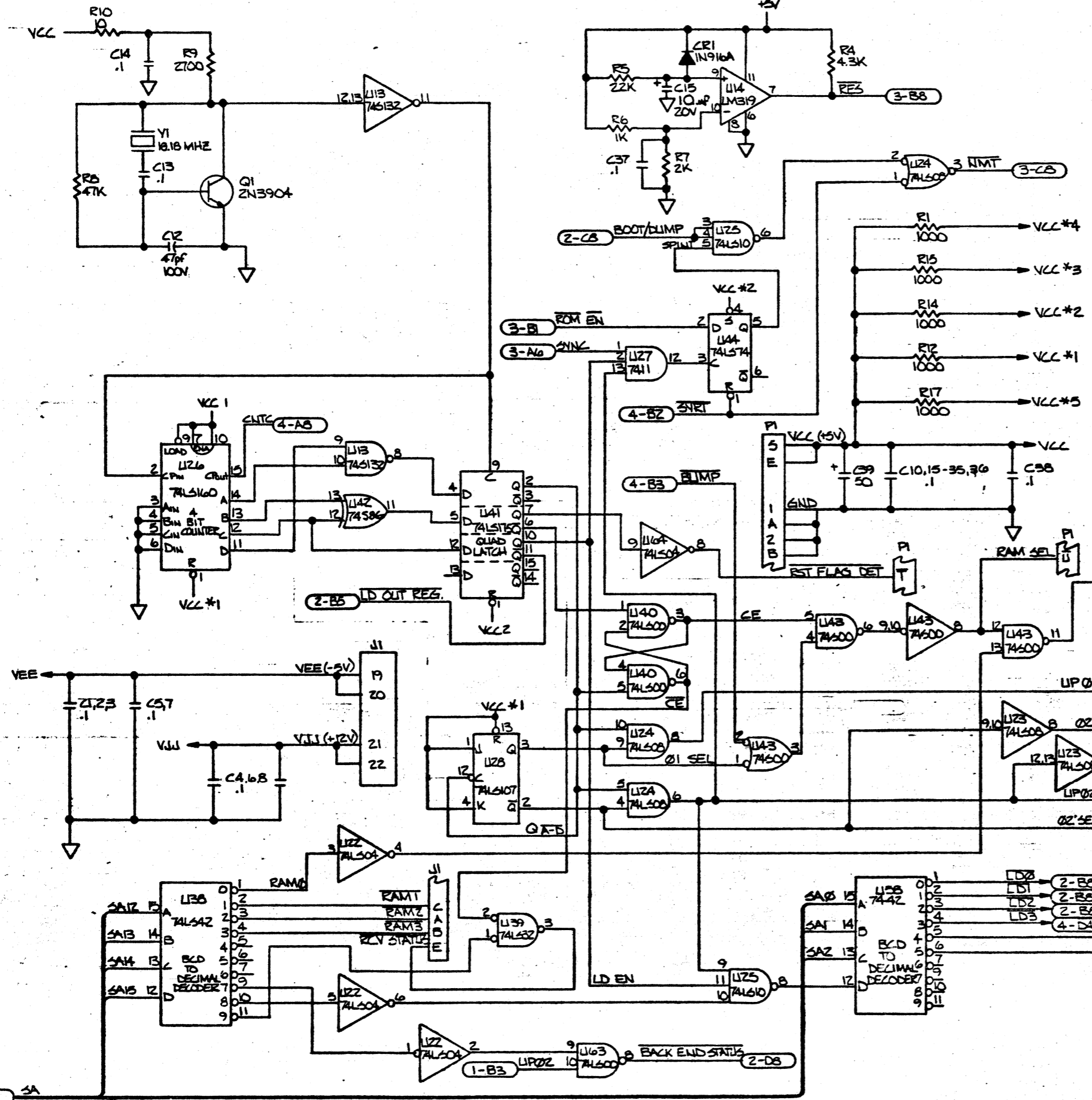
↑

4

3

2

1



IC BIASING TABLE				
IC DEVICE	GND	+5V	-5V	+12V
74S00				
74LS00				
74LS02				
74LS04				
74LS08				
74LS10				
7411				
7414	7	14		
74LS20				
74LS38				
74S74				
74LS86				
74S86				
74LS107				
74LS32				
8T10				
74LS42				
74A2				
74LS85				
74S85				
74LS112	8	16		
74LS157				
74LS157				
74LS160				
74LS175				
74LF193				
82S131				
4020A				

REVISIONS				
DATE	SYL	DESCRIPTION	BY	APPROVAL

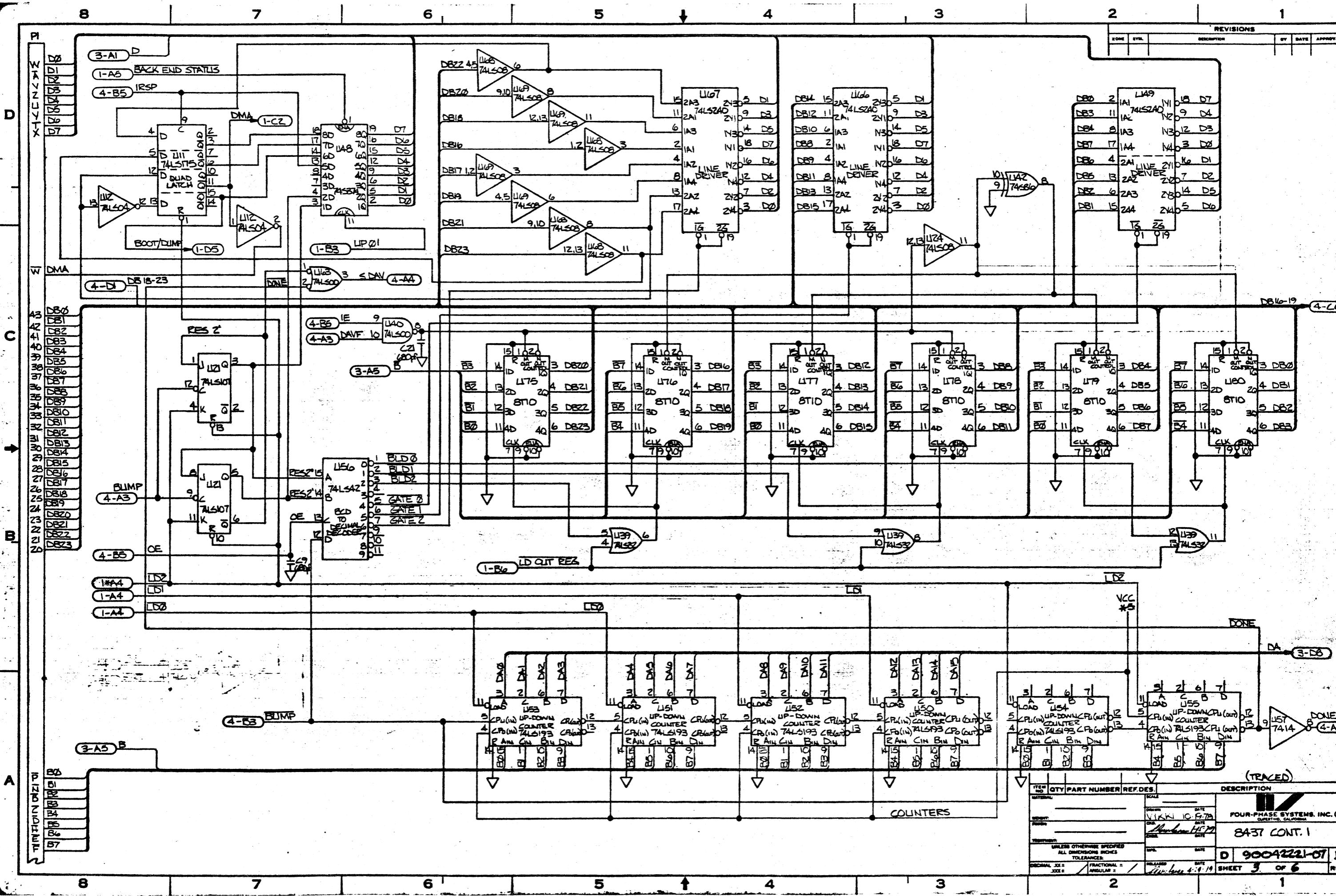
IC BIASING TABLE (CONT.)				
IC DEVICE	GND	+5V	-5V	+12V
3245	8	16		1,9
74LS75	12	5		
74S240	10	20		
74S374				
4200	22	11	1	18

- NOTES: UNLESS OTHERWISE SPECIFIED
1. RESISTOR VALUES ARE IN OHMS: 1/4W, 50W.
  2. CAPACITOR VALUES ARE IN MICROFARADS, 50V.
  3. (X-Y) SYMBOL INDICATES (X) SHEET NO. AND (Y) ZONE LOCATION ON THAT SHEET.
  4. TO SELECT CHANNEL 1: JUMPER "A" AND LEAVE CAB OPEN. TO SELECT UNIT ADDRESS (30), JUMPER "D" AND "H" LEAVE "E" AND "F" OPEN.
  5. JUMPER (J) TO BE OMITTED IF THE CONTROLLER IS USED AS A SINGLE CONTROLLER PER CHANNEL OR IF CARD HAS THE HIGHEST PRIORITY OF ALL CONTROLLERS IN A MULTIPLE CONTROLLER CHANNEL.
  6. JUMPER WIRE (X) TO THE APPROPRIATE CHANNEL, USUALLY CHANNEL 1.

ITEM NO.	QTY	PART NUMBER	REF. DES.	DESCRIPTION

DATE: 10-18-78  
 BY: VIKKI  
 CHECKED: [Signature]  
 APPROVED: [Signature]  
 SHEET 2 OF 6

REVISIONS				
ZONE	SYL	DESCRIPTION	BY	DATE



ITEM NO.	QTY	PART NUMBER	REF. DES.	DESCRIPTION

(TRACED)

DATE: VIKW 10.9.78	DATE: 11/17/78
BY: [Signature]	DATE: 11/17/78

UNLESS OTHERWISE SPECIFIED  
ALL DIMENSIONS IN INCHES  
TOLERANCES:

FRACTIONAL =	RELASD =	DATE: 11/17/78

FOUR-PHASE SYSTEMS, INC. ©  
SANTA ANA, CALIFORNIA

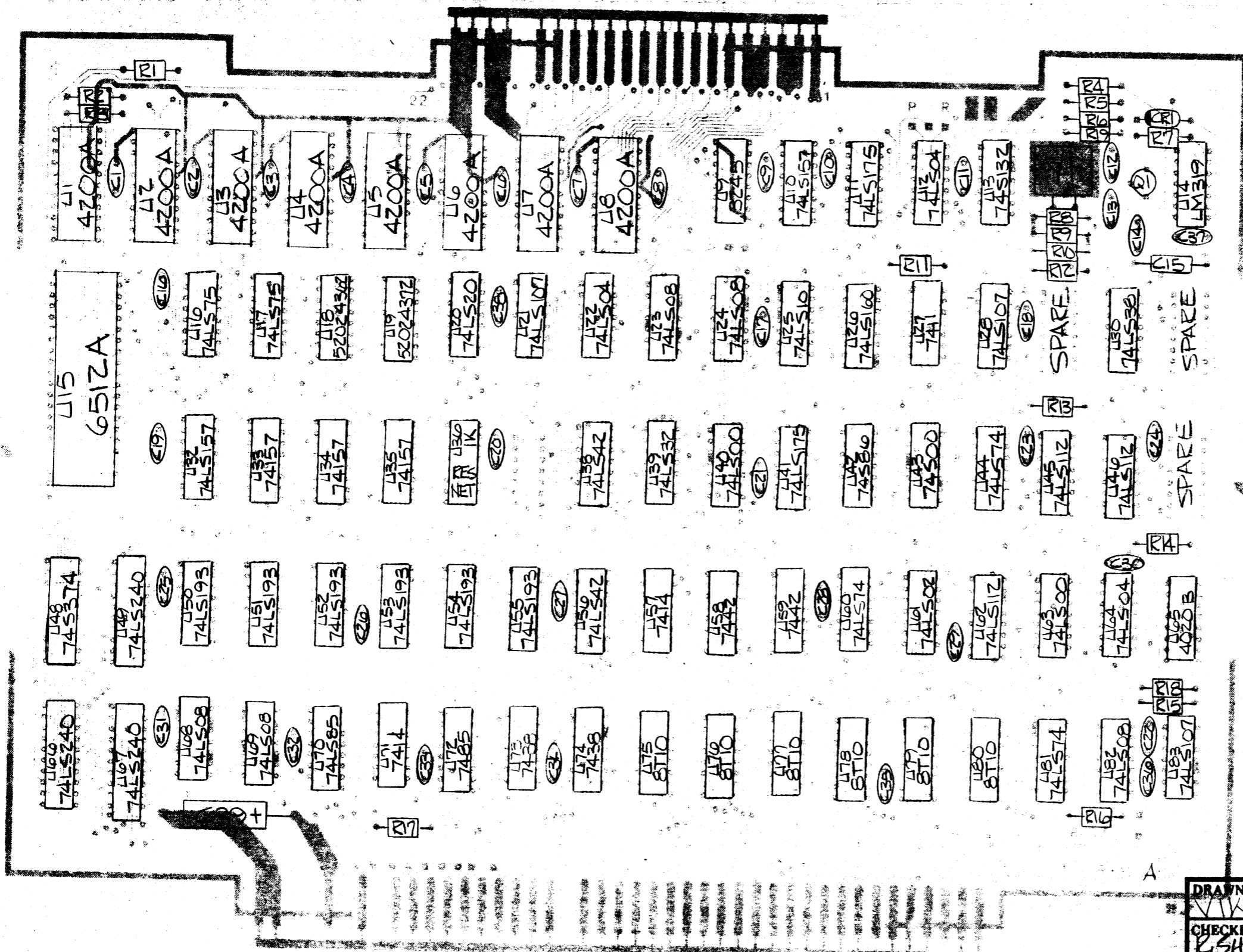
8437 CONT. 1

D 90042221-07 B

SHEET 3 OF 6







DRAWN VIKKI 6-19-79  
 CHECKED R. SHEARER 6/21/79  
 ENGINEER  
 MFG Bob H... 6-22-79  
 RELEASED Shear... 6-21-79

DATE 6-19-79  
 FOUR-PHASE SYSTEMS, INC.  
 CUPERTINO, CALIFORNIA  
 84371 CONT. 1  
 90042221-07  
 SHEET 6 OF 6