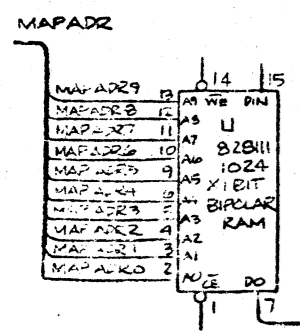


REVISIONS						
ZONE	BY	DESCRIPTION	BY	DATE	APPROVAL	
50		REL TO PILOT PCO#4021	AW	9-14-77		
51		REVISED SUPPLY FROM PIN 5 DE OUTPUT SAT B DREQ TO ST PCO #4177	V	10-11-77		
52		REV CHG DUE TO ARTWK CHG. PCO#4268.	AW	12-14-77		
53		REV CHG ONLY DUE TO CHG ON LM PCO#4332	V	3-27-78		
54		U192 ON U55 WAS ST95 CHGD TO ST96 PCO#4372	V	4-27-78		

- NOTES: UNLESS OTHERWISE SPECIFIED
1. THE THREE SETS OF ADDRESS LINES MUST BE SERIALIZED TO THEIR RESPECTIVE COMPONENTS AND TERMINATED AT THE END OF THE TRACE RUN.
  2. ALL RESISTORS ARE IN OHMS. ALL DISCRETE RESISTORS ARE 1/4W, 5%.
  3. (X-YZ) SYMBOL INDICATES A CONNECTION ON SHEET (X), ZONE (YZ).
  4. S1 TO RMAP POSITION DISABLES MAPPED MEMORY.

IC DEVICE	PIN	
	GND	VCC
74500	7	14
74504		
74508		
74538		
74574		
74510	8	16
74511		
8T26A		
8T28		
8T95		
8T96		
82S111		
93648		
74512	10	20
74513B		
745174		

5. WHEN USED WITH DRAM 90042171 THE MEMORY MAPPER MUST HAVE OPTION "A" JUMPER. THIS PROVIDES DRAM I.D. IN THE MEMORY MAPPER PARITY REG.



DETAIL A  
TYP U21-28, 33-48, 53-68, 73-104, 116-123.

ITEM NO	QTY	PART NUMBER	REF. DES.	DESCRIPTION

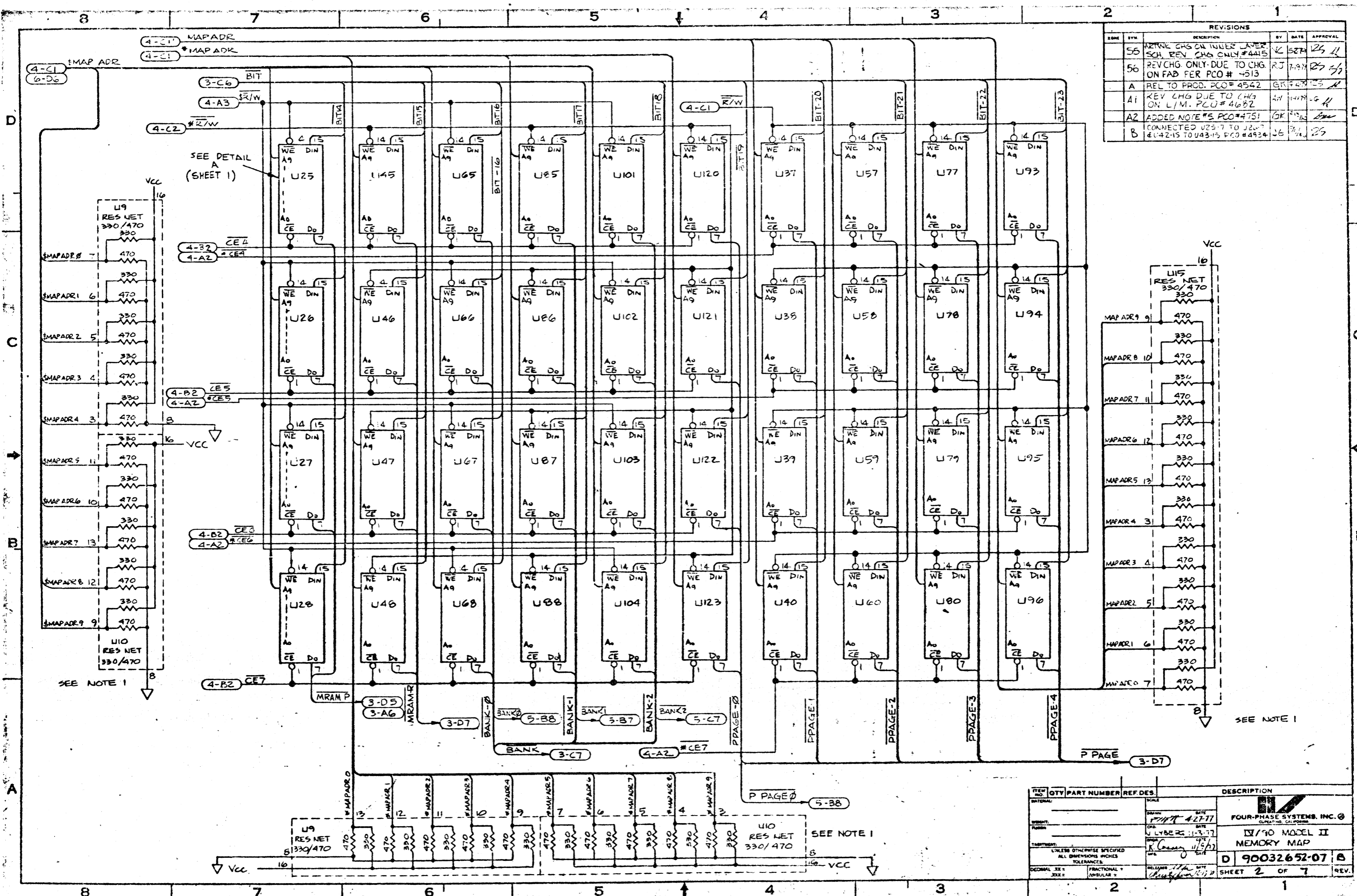
UNLESS OTHERWISE SPECIFIED ALL DIMENSIONS IN INCHES TOLERANCES:

DECIMAL XX.XX	FRACTIONAL X/X

RELEASED / DATE: 3-27-78

4-27-77  
JLV/LEG 11-5-77  
EJG  
K. G. ... 11/2/77

SHEET 1 OF 7 REV



REVISIONS					
REV	BY	DESCRIPTION	DATE	APPROVAL	
55	K	REV CHG ON INNER LAYER SCH REV CHG ONLY #4415	5/28/77		25/11
56	RJ	REV CHG DUE TO CHG ON FAB PER PCO # 4513	7/19/77		25/11
A	GR	REL TO PROD. PCO# 4542	7/28/77		25/11
A1	AM	REV CHG DUE TO CHG ON L/M. PCO# 4682	11/17/77		25/11
A2	GR	ADDED NOTE #5 PCO# 4751	1/15/78		25/11
B	JG	CONNECTED U25-7 TO J2-7 & U2-15 TO U43-15 PCO #4934	3/6/78		25/11

SEE DETAIL A (SHEET 1)

SEE NOTE 1

SEE NOTE 1

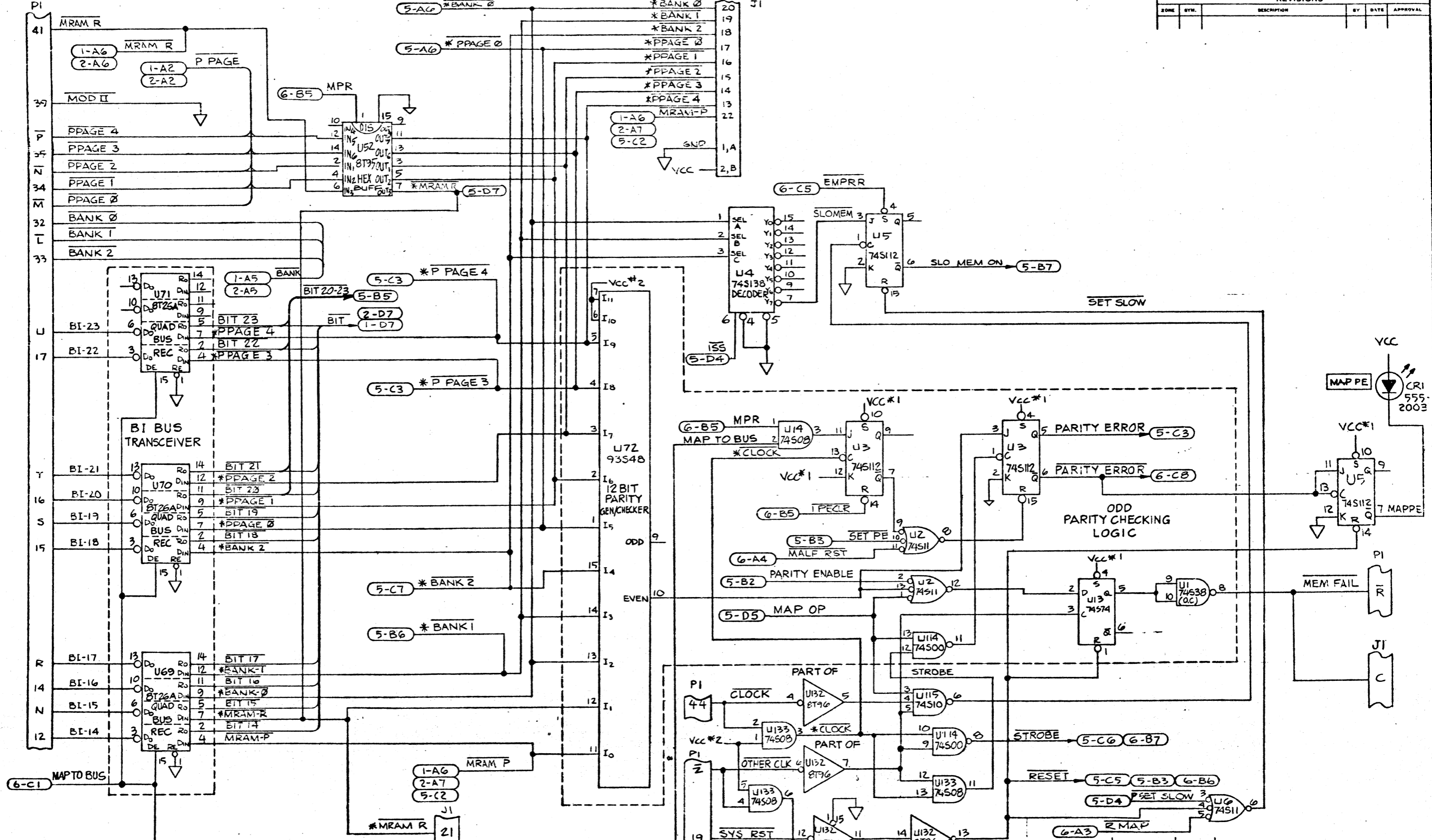
SEE NOTE 1

ITEM NO.	QTY	PART NUMBER	REF. DES.	DESCRIPTION
MATERIAL:				
DRAWN: <i>[Signature]</i> DATE: 4-27-77				
CHECKED: <i>[Signature]</i> DATE: 11-3-77				
DESIGNED: <i>[Signature]</i> DATE: 11/9/77				
RELEASED: <i>[Signature]</i> DATE: 11/9/77				
UNLESS OTHERWISE SPECIFIED ALL DIMENSIONS INCHES TOLERANCES:				
DECIMAL XX ±	FRACTIONAL X ±	ANGULAR ±		
RELEASED: <i>[Signature]</i> DATE: 11/9/77				
SHEET 2 OF 7				REV. 8

FOUR-PHASE SYSTEMS, INC. ©  
CULVER CITY, CALIFORNIA  
11/190 MODEL II  
MEMORY MAP

D 90032652-07 8

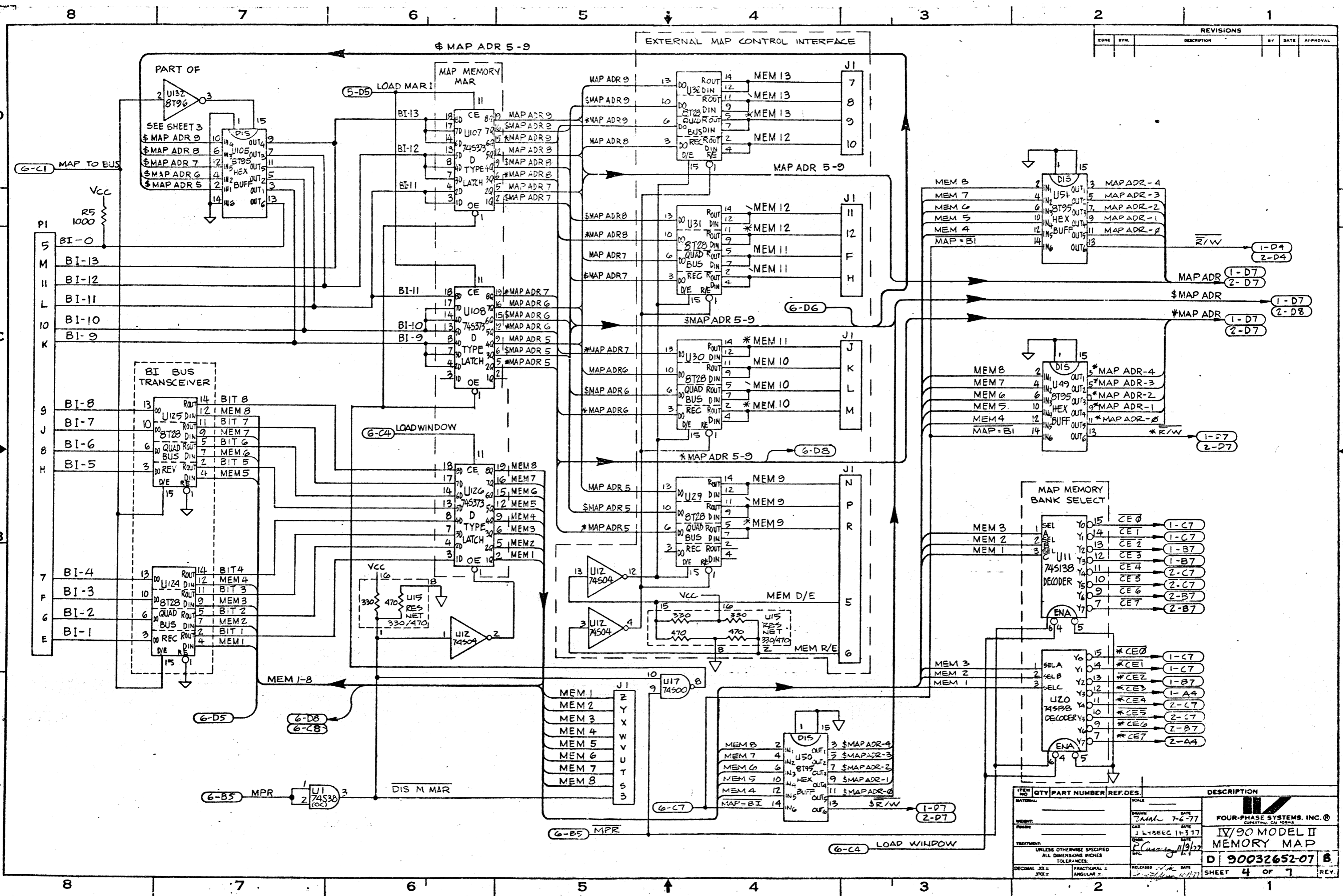
REVISIONS				
ZONE	BY	DESCRIPTION	BY	DATE



ITEM NO.	QTY	PART NUMBER	REF. DES.	DESCRIPTION

**FOUR-PHASE SYSTEMS, INC.**  
 IV/90 MODEL II  
 MEMORY MAP  
**D 90032652-07 B**  
 SHEET 3 OF 7

REVISIONS				
ZONE	SYM.	DESCRIPTION	BY	DATE



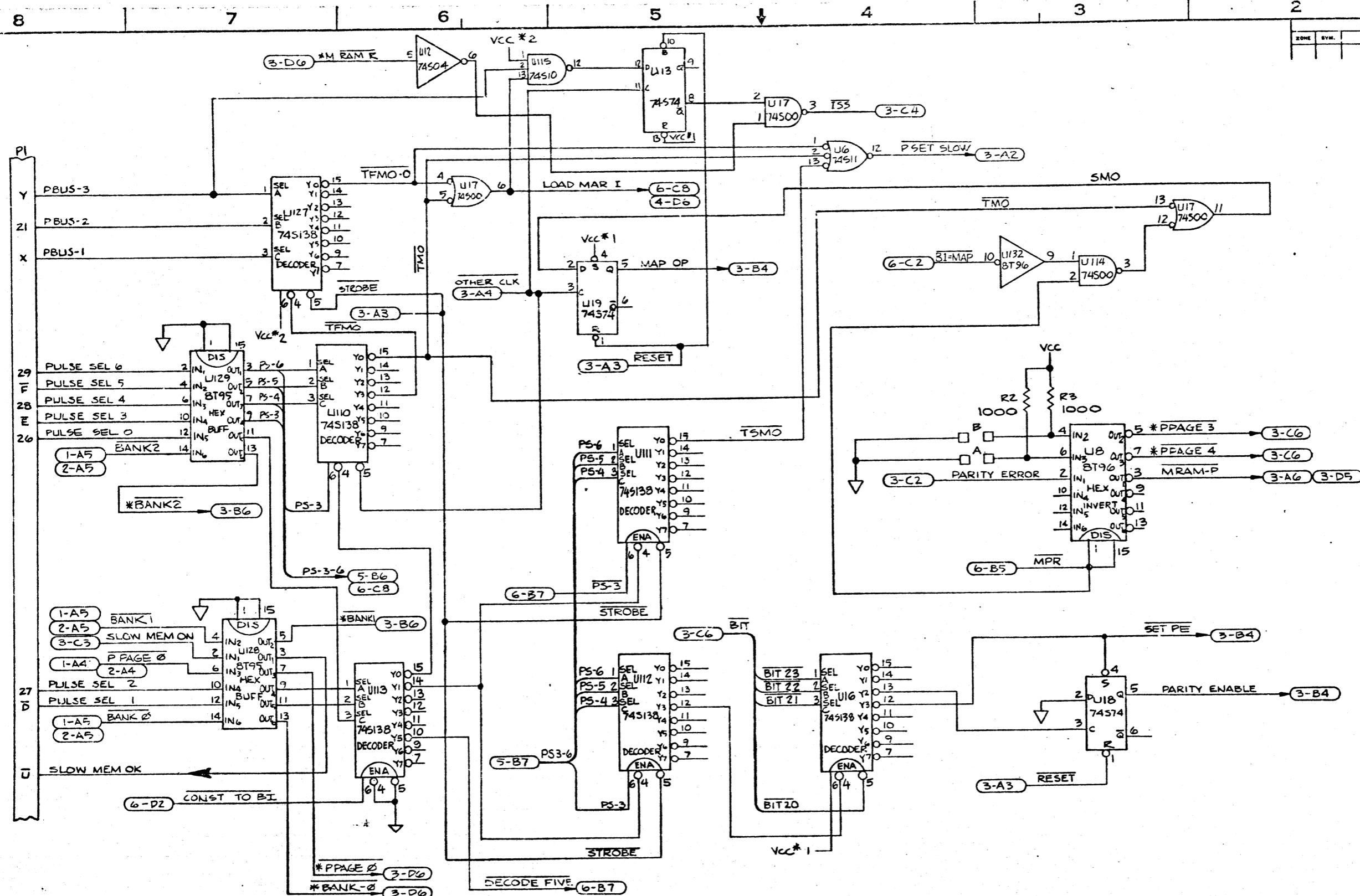
ITEM NO.	QTY	PART NUMBER	REF. DES.	DESCRIPTION

DRAWN: J.M.M. 7-6-77  
 DATE: 7-6-77  
 CHECKED: J.L.B. 11-3-77  
 DATE: 11-3-77  
 RELEASED: 11/9/77  
 DATE: 11/9/77

FOUR-PHASE SYSTEMS, INC.  
 CORP., CALIFORNIA  
 IV/90 MODEL II  
 MEMORY MAP  
 D 90032652-07 B  
 SHEET 4 OF 7

REVISIONS

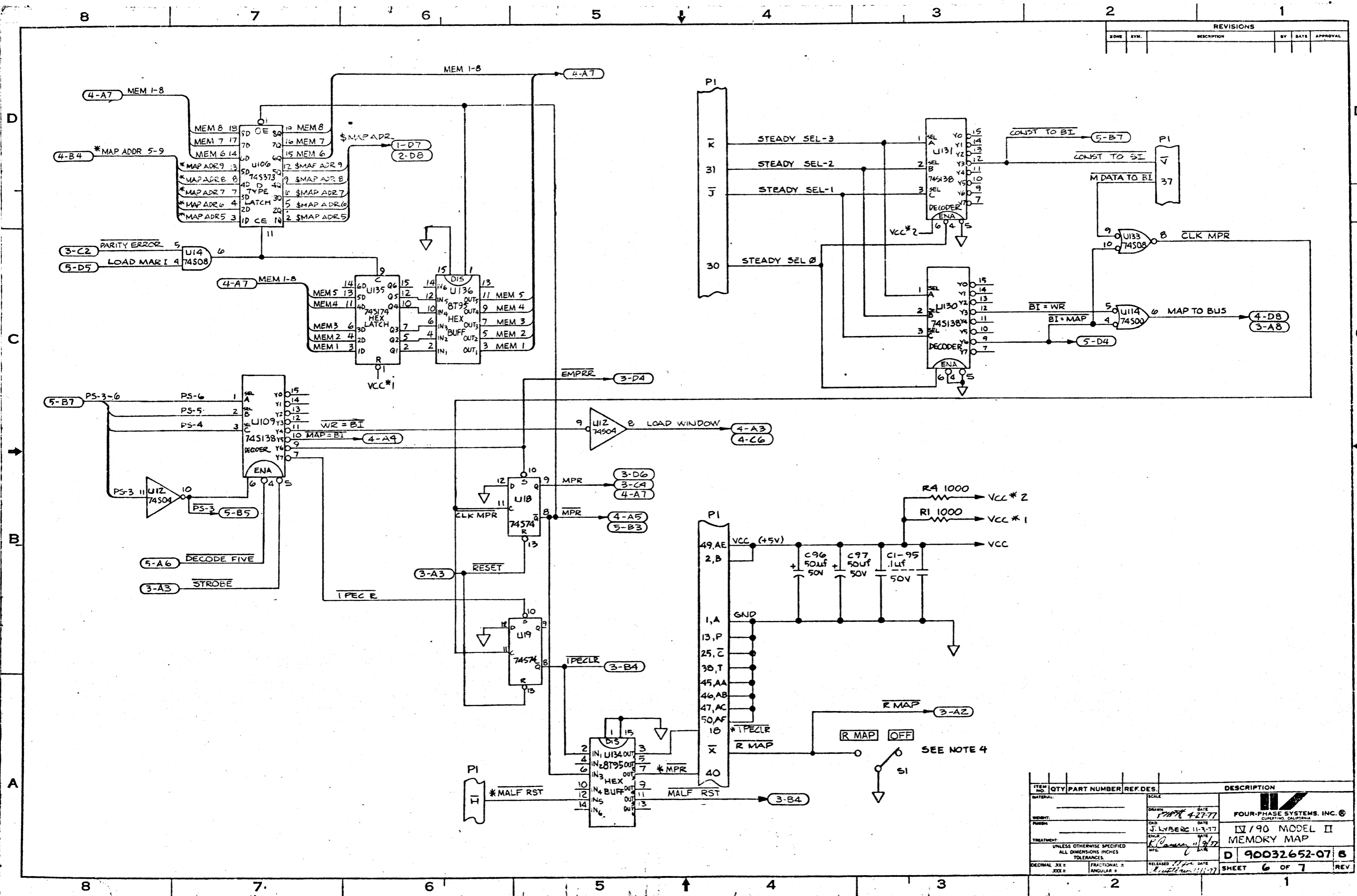
ZONE	SYM.	DESCRIPTION	BY	DATE	APPROVAL



ITEM NO.	QTY	PART NUMBER	REF. DES.	DESCRIPTION

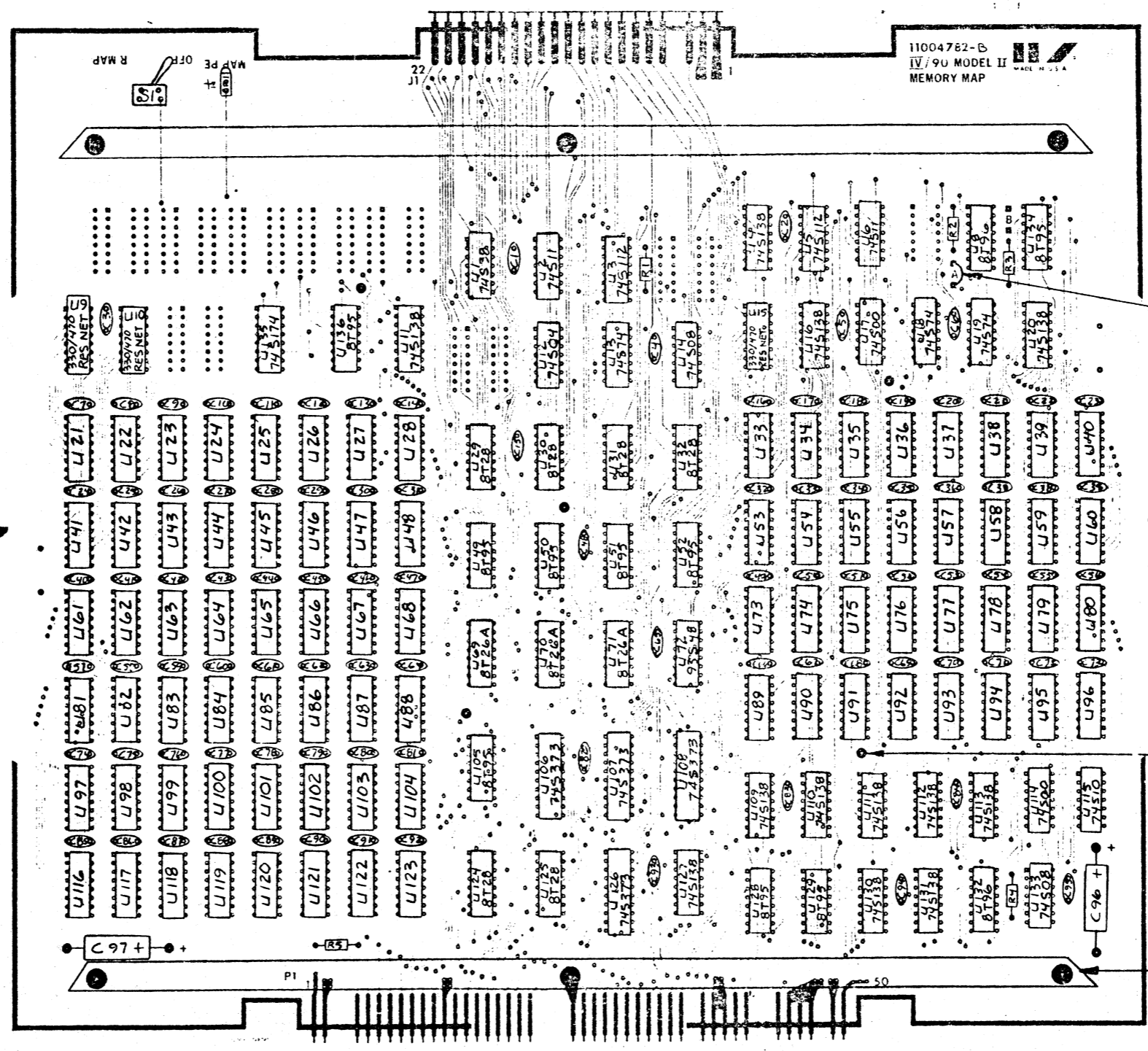
  

MATERIAL		SCALE	DATE	 <b>FOUR-PHASE SYSTEMS, INC.®</b> CUPERTINO, CALIFORNIA
WEIGHT				
UNLESS OTHERWISE SPECIFIED ALL DIMENSIONS INCHES TOLERANCES				<b>IV/90 MODEL II</b> <b>MEMORY MAP</b>
				<b>D 90032652-07 B</b>
DECIMAL ANG. TOL.	FRACTIONAL ANG. TOL.	RELEASED DATE		SHEET 5 OF 7 REV.



REVISIONS					
ZONE	SYM.	DESCRIPTION	BY	DATE	APPROVAL

ITEM NO.	QTY	PART NUMBER	REF. DES.	DESCRIPTION										
<table border="0" style="width: 100%;"> <tr> <td style="width: 50%; vertical-align: top;">           MATERIAL: _____            WEIGHT: _____            PARTS: _____            TREATMENT: _____            UNLESS OTHERWISE SPECIFIED ALL DIMENSIONS INCHES TOLERANCES            DECIMAL XX ±            FRACTIONAL ±            ANGULAR ±         </td> <td style="width: 50%; vertical-align: top;"> <table border="1" style="width: 100%;"> <tr> <td>SCALE</td> <td>DATE</td> </tr> <tr> <td>DATE</td> <td>DATE</td> </tr> <tr> <td>DATE</td> <td>DATE</td> </tr> <tr> <td>DATE</td> <td>DATE</td> </tr> </table>           FOUR-PHASE SYSTEMS, INC.®            CUPERTINO, CALIFORNIA            IV/90 MODEL II            MEMORY MAP            D 90032652-07 B            SHEET 6 OF 7         </td> </tr> </table>					MATERIAL: _____ WEIGHT: _____ PARTS: _____ TREATMENT: _____ UNLESS OTHERWISE SPECIFIED ALL DIMENSIONS INCHES TOLERANCES DECIMAL XX ± FRACTIONAL ± ANGULAR ±	<table border="1" style="width: 100%;"> <tr> <td>SCALE</td> <td>DATE</td> </tr> <tr> <td>DATE</td> <td>DATE</td> </tr> <tr> <td>DATE</td> <td>DATE</td> </tr> <tr> <td>DATE</td> <td>DATE</td> </tr> </table> FOUR-PHASE SYSTEMS, INC.® CUPERTINO, CALIFORNIA IV/90 MODEL II MEMORY MAP D 90032652-07 B SHEET 6 OF 7	SCALE	DATE	DATE	DATE	DATE	DATE	DATE	DATE
MATERIAL: _____ WEIGHT: _____ PARTS: _____ TREATMENT: _____ UNLESS OTHERWISE SPECIFIED ALL DIMENSIONS INCHES TOLERANCES DECIMAL XX ± FRACTIONAL ± ANGULAR ±	<table border="1" style="width: 100%;"> <tr> <td>SCALE</td> <td>DATE</td> </tr> <tr> <td>DATE</td> <td>DATE</td> </tr> <tr> <td>DATE</td> <td>DATE</td> </tr> <tr> <td>DATE</td> <td>DATE</td> </tr> </table> FOUR-PHASE SYSTEMS, INC.® CUPERTINO, CALIFORNIA IV/90 MODEL II MEMORY MAP D 90032652-07 B SHEET 6 OF 7	SCALE	DATE	DATE	DATE	DATE	DATE	DATE	DATE					
SCALE	DATE													
DATE	DATE													
DATE	DATE													
DATE	DATE													




11004782-B  
IV/90 MODEL II  
MEMORY MAP

NOTE:  
U21-28, 33-48, 53-68,  
73-104, 116-123 ARE 82511.  
REF, NOTE \*5

TERMINAL, DOUBLE TURRET  
(TYP 5 PLCS) P/N 22100920

STIFFENER (TYP 2 PLCS)  
P/N 12010771

DRAWN A. WERDEN	DATE 1-9-79	 <b>FOUR-PHASE SYSTEMS, INC.</b> <small>CUPERTINO, CALIFORNIA</small>	<b>IV/90 MODEL II</b> <b>MEMORY MAP</b>	<b>B</b>
CHECKED J.R. SALETE	DATE 1-10-79			
ENGINEER				
MFC 1-10-79			90032652-07	
RELEASED 1-10-79			SHEET 7 OF 7	REV