

XEROX

THIS MANUAL INTENDED FOR USE WITH DIABLO SERIES 2300 MATRIX
PRINTER PARTS CATALOG, PUBLICATION No. 82414-XX

Diablo Systems Incorporated
A Xerox Company

Series 1600 Hyterm Terminal
Model 1660
Parts Catalog

PREFACE

This manual is intended for use with Diablo Series 2300 Matrix Printer Parts Catalog. Publication No. 82414-XX.

The contents of this catalog represents the unit as manufactured at the time of publication. All parts listed are shown in the correct form for ordering, including those assemblies which are supplied as single parts. Items not listed are NOT FIELD REPLACEABLE. Such items are sometimes included for completeness of illustration only.

Diablo Systems, Inc. reserves the right to make changes in its products without incurring obligations to incorporate such changes in previously manufactured units.

Parts orders should be addressed to your Diablo Sales Representative.

Comments on this catalog, or its use, are invited. Please address all comments to:

Customer Service Publications
Diablo Systems, Inc.
3190 Corporate Place, I-109
Hayward, CA 94545

"Diablo" is a trademark of Xerox Corporation.

"Xerox" is a trademark of Xerox Corporation.

Publication No. 400084-01 - First Edition

Table of Contents

	<u>Page</u>
Section I - Mechanical Assemblies	
I.1	400XXX-XX Final Assembly 1-1
I.2	400056-01 Control Panel Assembly 1-5
Section II - PCB Assemblies	
II.1	23924-XX HPR03 PCB Assembly 2-1
II.2	23926-XX XMEM1 PCB Assembly 2-2
Section III - Cable Assemblies	
III.1	400015-01/400016-01 AC Power Cord Assemblies . . . 3-1
III.2	23731 Keyboard Cable Assembly 3-3
III.3	400025-01 EIA Cable Assembly 3-5
III.4	400091-01 DC Power Cable Assembly 3-7
Appendices	
1.	Ribbons A-1
2.	Platens A-1
3.	Tractor Feed A-1
4.	Touch-up Lacquer Kit A-1
5.	Publications A-1
6.	Miscellaneous A-1

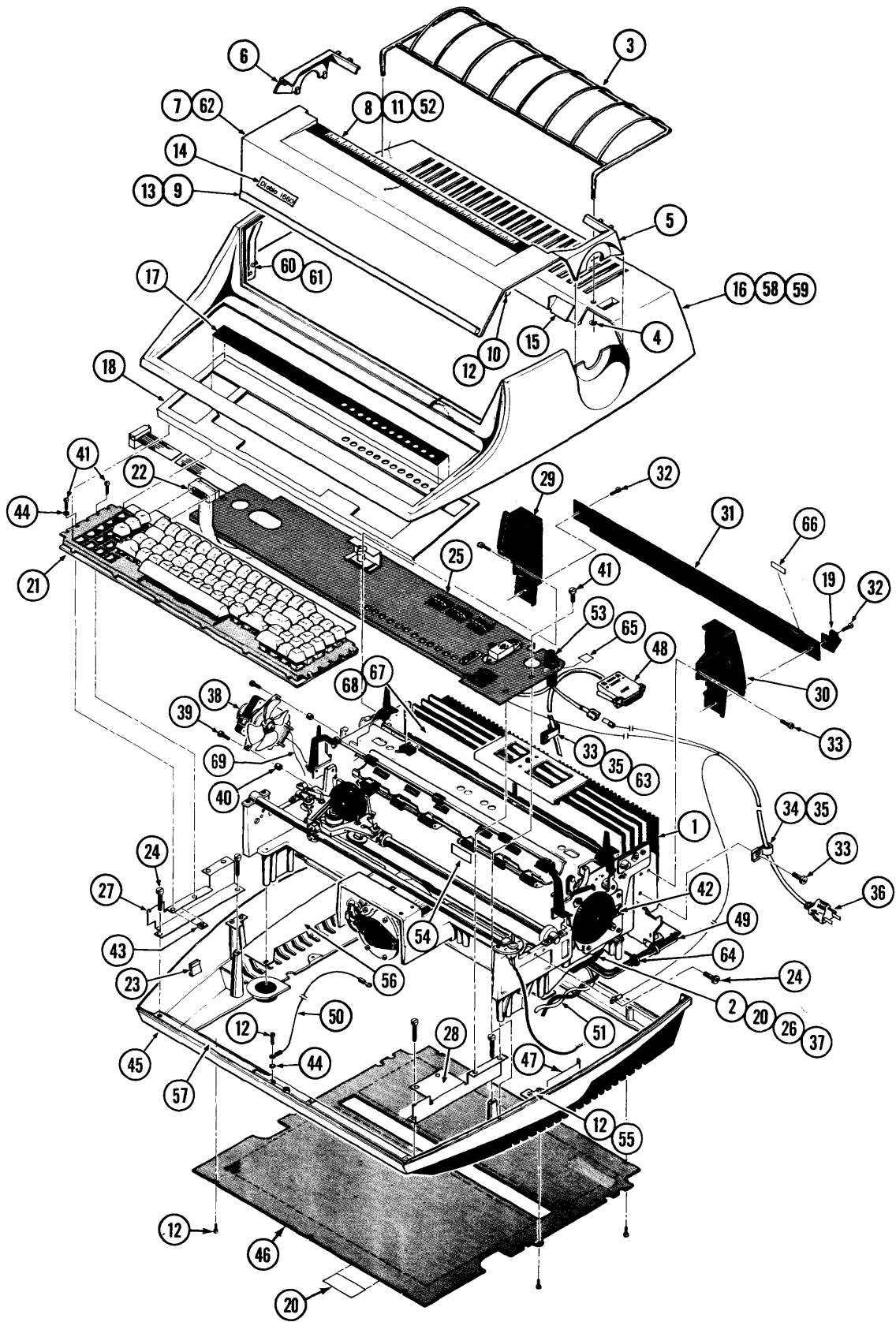


Figure 1-1
400XXX-XXX FINAL ASSEMBLY

SECTION I.1

400XXX-XX FINAL ASSEMBLY
(see notes)

ITEM	PART NO.	DESCRIPTION	ITEM	PART NO.	DESCRIPTION
1	24500-03	Printer Assembly, Matrix (Note 2)	38	14011-01	Fan, 115VAC
				14012-01	Fan, 230VAC
2	400062-01	Power Supply, 115VAC	39	70829-10	Screw, #8-32 x .625 T.F.
	400062-03	Power Supply, 230VAC	40	20460	Spacer
3	40696	Rack, Cover	41	70691	Screw, #6-20, Sheet Metal
4	70170-08	Retaining Ring	42	10752-01	Anchor, Cable Tie
5	24415-01	Skirt, Right, Black	43	70702-24	Nut, "U" Clip
6	24416-01	Skirt, Left, Black	44	70737-06	Lockwasher, #6
7	23244-04	Cover, Access	45	400012-04	Cover, Bottom
8	22932	Scale, Paper	46	24392-01	Bottom Pan (Note 4)
9	20780	Handle	47	23147-02	Label, Warning
10	40844-02	Clip, Cover Mounting	48	400025-01	Cable Assembly, EIA (see Section III.3)
11	70659-02	Retaining Ring	49	400091-01	Cable Assembly, DC (see Section III.4)
12	71236-04	Screw, #6-32 x .250 T.F.	50	23831-17	Wire Assembly
13	70029-05	Screw, #4-40 x .312 P.H.	51	23855-02	Cable Assembly, Twisted Pair
14	400064-01	Nameplate, 1660	52	70413-02	Fastener, Washer
15	23553	Paper Guide	53	10717-05	Fuse, 5A, 115VAC
16	400009-04	Cover, Top		10962-10	Fuse, 2.5A, 230VAC
17	400058-01	Overlay, Control Panel	54	400102-33	Label, Serial Number, 115VAC
18	400027-01	Mask, Keyboard		400102-19	Label, Serial Number, 230VAC
19	400221-01	Plate, Rear Filler	55	20667	Stop, Latch
20	23147-05	Label, Warning	56	400206-01	Barrier, Side
21	400XXX-XX	Keyboard (Note 3)	57	23965-01	Barrier, Front
22	23731	Cable Assembly, Keyboard (see Section III.2)	58	23976-01	Clip, Screen Mounting
23	10924	Clamp, Cable	59	26119-01	Screen
24	70829-06	Screw, #8-32 x .375 T.F.	60	46042-01	Latch, Right
25	400056-01	Control Panel Assembly (see Section I.2)	61	46042-02	Latch, Left
26	71256-05	Screw, #6-32 x .312 T.F.	62	400147-01	Actuator, Cover Open Switch
27	400011-01	Bracket, Keyboard, Left	63	10535-12	Cable Clamp
28	400010-01	Bracket, Keyboard, Right	64	10538-01	Cable Tie
29	24474-02	Cover, Left Rear	65	23846-01	Label, Fuse, 230VAC only
30	24474-01	Cover, Right Rear	66	14035-05	Label, Voltage, 230VAC only
31	24472	Cover Strip, Rear	67	23924-XX	HPR03 PCB Assembly (see Section II.1)
32	70805-02	Screw, #4-40 x .375 T.F.	68	23926-XX	XMEM1 PCB Assembly (see Section II.2)
33	70829-08	Screw, #8-32 x .500 T.F.	69	23856	Cable, Fan
34	10535-18	Cable Clamp			
35	10537	"D" Washer			
36	400015-01	Cable, AC Power, 115VAC			
	400016-01	Cable, AC Power, 230VAC (see Section III.1)			
37	400478-01	Screen, Power Supply			

Notes:

- (1) Final Assemblies, Model 1660:
 - 400050-000 - 115VAC, Standard
 - 400050-002 - 115VAC, Expanded Buffer
 - 400510-000 - 230VAC, Standard
 - 400510-002 - 230VAC, Expanded Buffer
 - 400675-00 - 115VAC, APL Standard
 - 400675-03 - 115VAC, APL Expanded Buffer
 - 400670-00 - 230VAC, APL Standard
 - 400670-03 - 230VAC, APL Expanded Buffer
 - 400680-00 - 230VAC, French Azerty
- (2) For Printer Parts, see Publication No. 82414-XX.
- (3) Keyboard Assemblies:
 - 400053-01 - 46 Key Typewriter Paired,
10-Key Pad
 - 400464-01 - 47-Key APL
 - 400464-05 - 47-Key French Azerty
- (4) For Bottom Feed use 24392-03.

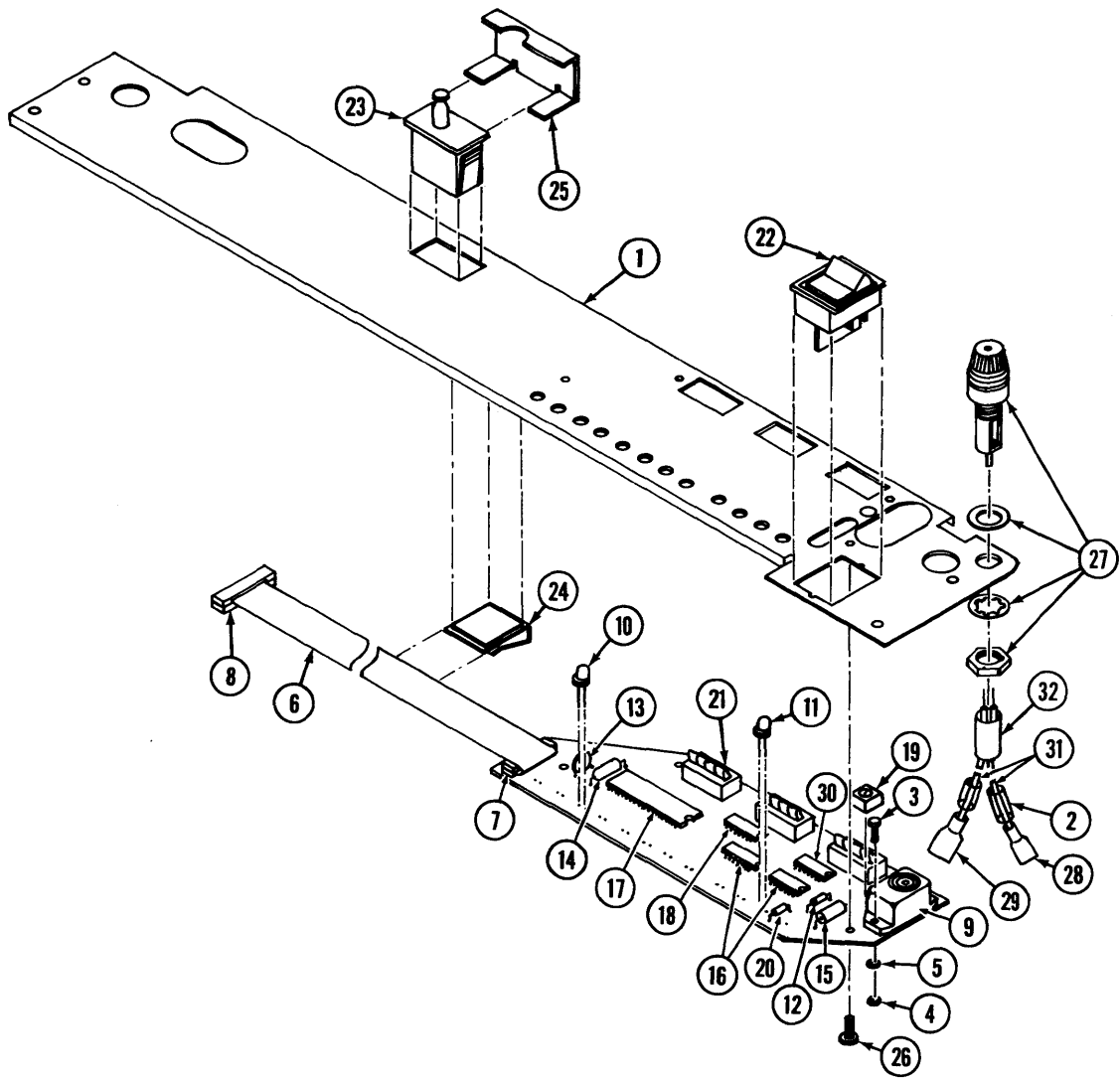


Figure 1-2
400056-01 CONTROL PANEL ASSEMBLY

SECTION I.2

400056-01 CONTROL PANEL ASSEMBLY
(see notes)

ITEM	PART NO.	DESCRIPTION
1	400002-01	Control Panel
2	10973-17	Tubing, Vinyl #6
3	70027-05	Screw, #2-56 x .312 P.H.
4	70166-02	Nut, #2-56 Hex
5	70168-02	Lockwashers, #2
6	10588-11	Cable, Flat, 20-Conductor
7	26061-20	Connector, PWB
8	26062-20	Connector, Header
9	42503-01	Buzzer
10	14005-01	Lamp, LED, Red
11	42222-01	Lamp, LED, Green
12	10160	Diode, 1N4454
13	42077-01	Capacitor, .1uF, 12V Ceramic
14	10410-22	Capacitor, 22uF, 15V Tantalum
15	10077-22	Capacitor, 22uF, 35V Tantalum
16	10390	IC, 7416
17	42407-01	IC, 8255
18	10761	Resistor Network, 1K
19	10224-10	Potentiometer, 1K, 1/2W, 10%
20	10022-15	Resistor, 150 Ohm, 1/4W, 5%
21	100064-01	Switch, DIP
22	100043-01	Switch, Power
23	10961	Switch, Cover Open
24	10924	Clamp, Cable
25	400005-01	Guard, Switch
26	70030-06	Screw, #6-32 x .375 P.H.
27	10705	Holder, Fuse
28	10913-01	Terminal, Quick Disconnect, Female
29	100058-01	Terminal, Quick Disconnect, Male
30	10209-01	IC, 74LS04
31	10957-00	Wire, #18 AWG, Black
32	10567-43	Tubing, Heatshrink

Notes:

- (1) For replacement, order 400224-01, Control Panel Replacement Kit, which contains 400056-01, Control Panel Assembly, and necessary labels and instructions.

SECTION II.1

23924-XX HPRO3 PCB ASSEMBLY
(see notes)

<u>PART NO.</u>	<u>DESCRIPTION</u>	<u>LOCATION(S)</u>	<u>PART NO.</u>	<u>DESCRIPTION</u>	<u>LOCATION(S)</u>
	<u>RESISTORS</u>		42155-05	LM320H-5.0	F58
10023-10	1K 1/4W 5%	A66,A75,B20 B22,B26,D45 D64,F25	42155-12	LM320H-12	F53
10023-82	8.2K 1/4W 5%	D67,D68,D69 D70,D71,E74 F22,F23,F24	42154-12	LM341P-12	F41
			10239	Resistor Network, 1K	E6
				<u>MISCELLANEOUS</u>	
10024-68	68K 1/4W 5%	A32	70515-05	Screw, #4-40 x .312 P.H.	F41
10024-10	10K 1/4W 5%	A36	70701-04	Kepnut, #4-40	F41
	<u>CAPACITORS</u>		10899-24	Socket, IC, 24-Pin	XE48, XF32, XF48
42077-01	.1uF 12V	A25,A74, B2 B34,B35,B73 B74, D3,D35 E24,E45,E74 F15,F63,F74	10899-40	Socket, IC, 40-Pin	XA53
10493-68	6.8uF 35V	A42	10910-06	Connector, 12 Position	J1
10410-22	22uF 15V	A67	10915-10	Header, 20 Terminal	J2
10061-10	10pF 500V	A46	10255-03	Crystal, 18MHz	A47
10077-22	22uF 35V	F37,F66	10792	Switch, DIP 4 x SPST	F27
10076-10	1uF 35V	F49,F55	10589-03	Washer, Fiber #4	F41
10086-10	1uF 50V	A27,A52,B24 B45,F44	10564-26	Wire Solid #26 AWG	B4, A28
10086-47	.47uF 50V	A29	10568-26	Sleeve, Teflon Clear #26	B4, A28
			400524-01	EROM 1660, 4 (Note 2)	F32
			400634-01	EROM 1660, 4 (Note 3)	F32
			400678-01	EROM 1660, 4 (Note 4)	F32
	<u>I.C.'s</u>			Notes:	
10209-01	74LS04	D37	(1)	HPR03 PCB Assemblies:	
13082	74LS32	A37		23924-07 - 1660 Standard	
42408-01	74LS54	B27		23924-50 - 1660 APL	
42311-01	74LS74	D27		23924-51 - French Azerty	
42313-01	74LS123	A26	(2)	Used on 23924-07 Assembly only	
13090	74LS155	D36	(3)	Used on 23924-50 Assembly only	
13091	74LS161	D26,E26	(4)	Used on 23924-51 Assembly only	
13096	74LS367	B52			
10353	75150P	B16,B21			
10354	75154	A16,E15			
42338-04	8080A	A53			
10215-04	8224	B36			
42331-04	8228	D46			
42336-04	8251	D5			
42407-01	8255	E5, F6			
42335-04	8205	E37			
42334-11	RAM, 256 x 4 bits (P2111A-4)	B65,D65,E65 F65			

SECTION II.2

23926-XX XMEM1 PCB ASSEMBLY
(see notes)

<u>PART NO.</u>	<u>DESCRIPTION</u>	<u>LOCATION(S)</u>	
	<u>RESISTORS</u>		Notes:
10023-10	1K 1/4W 5%	F24	(1) XMEM1 PCB Assemblies: 23926-22 - Standard 23926-24 - 1.25K Print Buffer
	<u>CAPACITORS</u>		(2) Used on 23926-24 only
42077-01	.1uF 12V	A9, A13, A26 A31, A44, A49 A62, A67, B5 B17, B29, B41 B53, B65, E6 E15, E23, E29 E39, E49	
10086-10	.1uF 50V	B12, B21, B30 B39, B48, B57 B66, B75	
10079-10	1uF 35V	B69	
10410-22	22uF 15V	F30, F75	
10077-22	22uF 35V	E64, F49	
	<u>I.C.'s</u>		
13082	74LS32	E34	
42335-04	8205	E22, E28	
42337-04	8212	E40	
10284-03	7812C	F51	
42152-05	LM320T-5.0	F64	
	<u>MISCELLANEOUS</u>		
70548-05	Screw, #4-40 x .312 P.H.	F51, F64	
70701-04	Kepnut, #4-40	F51, F64	
10899-24	Socket, IC, 24-Pin	XA5, XA14, XA23, XA32, XA41, XA50, XA59, XA68, XE4, XE14	
10898-18	Socket, IC, 18-Pin	D4, D10, D16 D22, D28, D34 D40, D46, D52 D57, D64, D70	
400520-01	EROM 1660, Ø	A5	
400521-01	EROM 1660, 1	A14	
400522-01	EROM 1660, 2	A23	
400523-01	EROM 1660, 3	A32	
400273-02	EROM, 1.25K Print Buffer 1660 (Note 2)	A68	
42334-11	RAM, 256 x 4 bit (Note 2)	D16, D22, D28 D34, D52, D57 D64, D70	

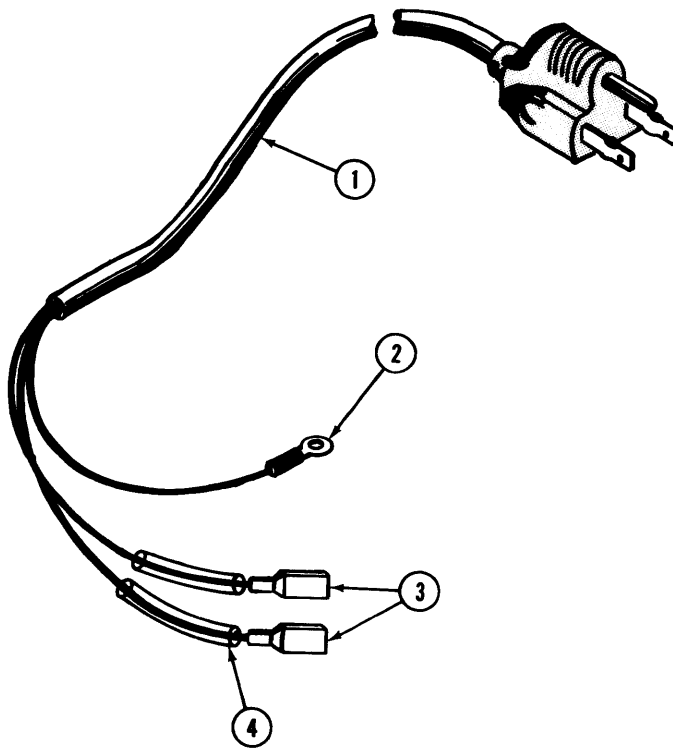


Figure 3-1
400015-01 AC POWER CORD 115VAC
400016-01 AC POWER CORD 230VAC

SECTION III.1

400015-01 AC POWER CORD 115VAC
400016-01 AC POWER CORD 230VAC

<u>ITEM</u>	<u>PART NO.</u>	<u>DESCRIPTION</u>
1	14009-12 10974	Cord, 3-Conductor 115VAC only Cord, 3-Conductor 230VAC only
2	10616-08	Terminal, Ring
3	10913-01	Terminal, Quick Disconnect, Female
4	10973-17	Tubing, Vinyl #6

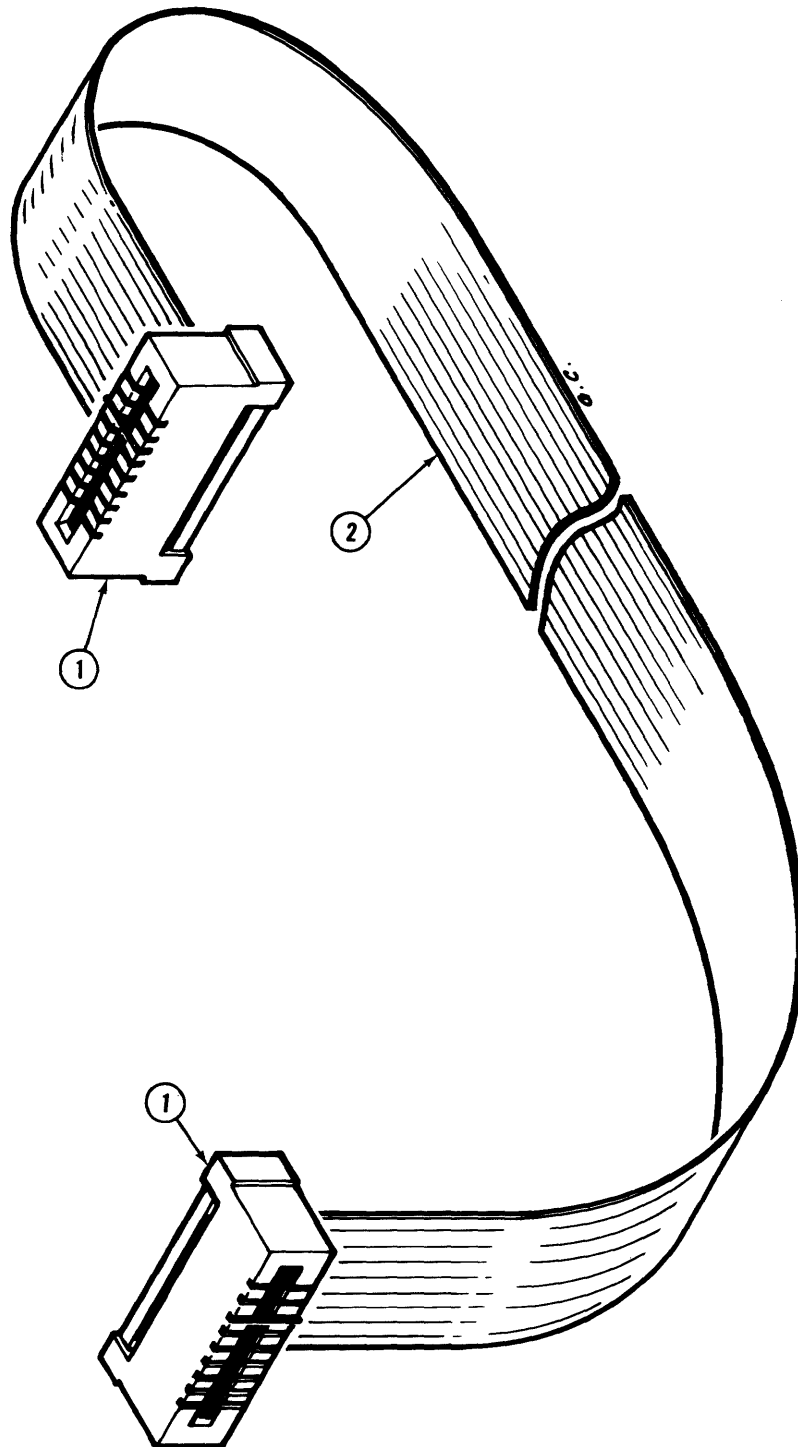


Figure 3-2
23731 KEYBOARD CABLE ASSEMBLY

SECTION III.2

23731 KEYBOARD CABLE ASSEMBLY

<u>ITEM</u>	<u>PART NO.</u>	<u>DESCRIPTION</u>
1	26059-20	Connector, PCB Edge, 20-Pin
2	10588-11	Flat Cable, 20-Conductor

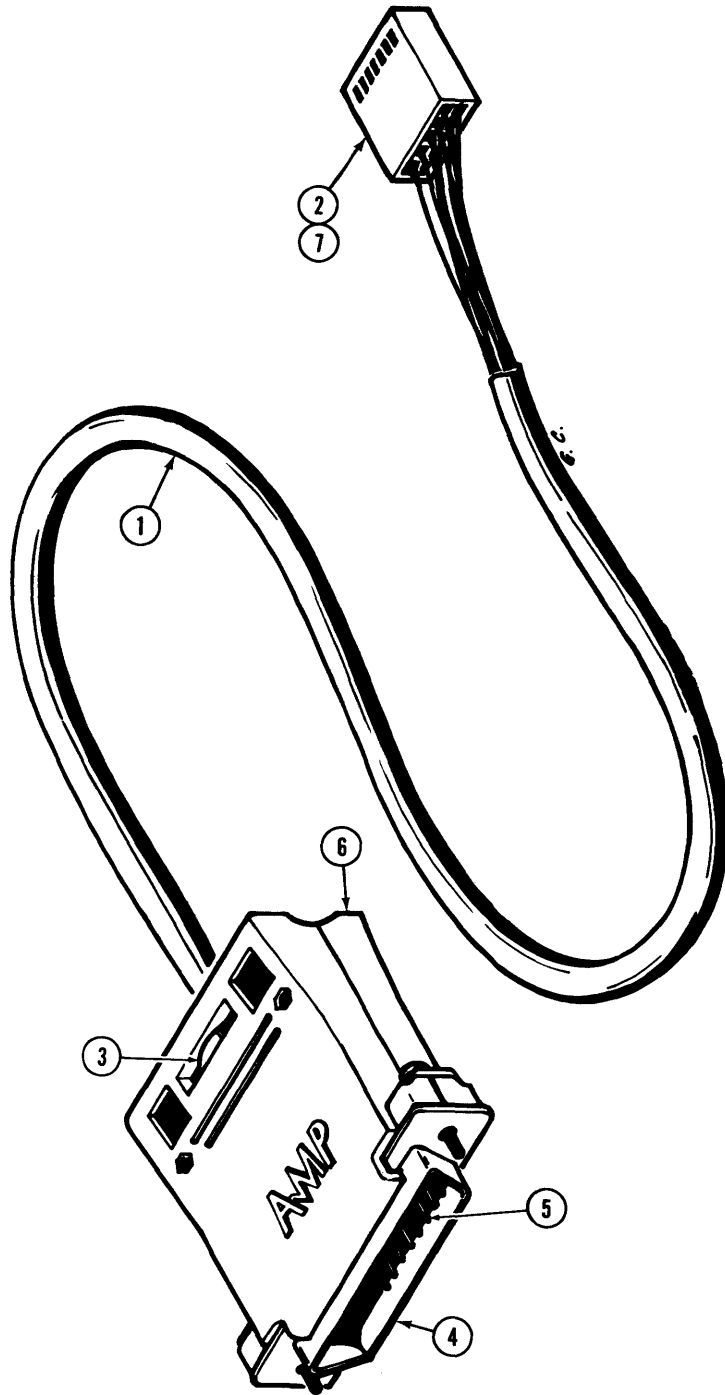


Figure 3-3
400025-01 EIA CABLE ASSEMBLY

SECTION III.3

400025-01 EIA CABLE ASSEMBLY

<u>ITEM</u>	<u>PART NO.</u>	<u>DESCRIPTION</u>
1	10904-15	Cable, #22 15-Conductor
2	10890-04	Housing, Connector 12-Pin
3	10538-01	Cable Tie
4	10936-25	Housing, Connector
5	10939-01	Contact, Pin
6	10947	Hood, Connector
7	10891-02	Contact, Pin

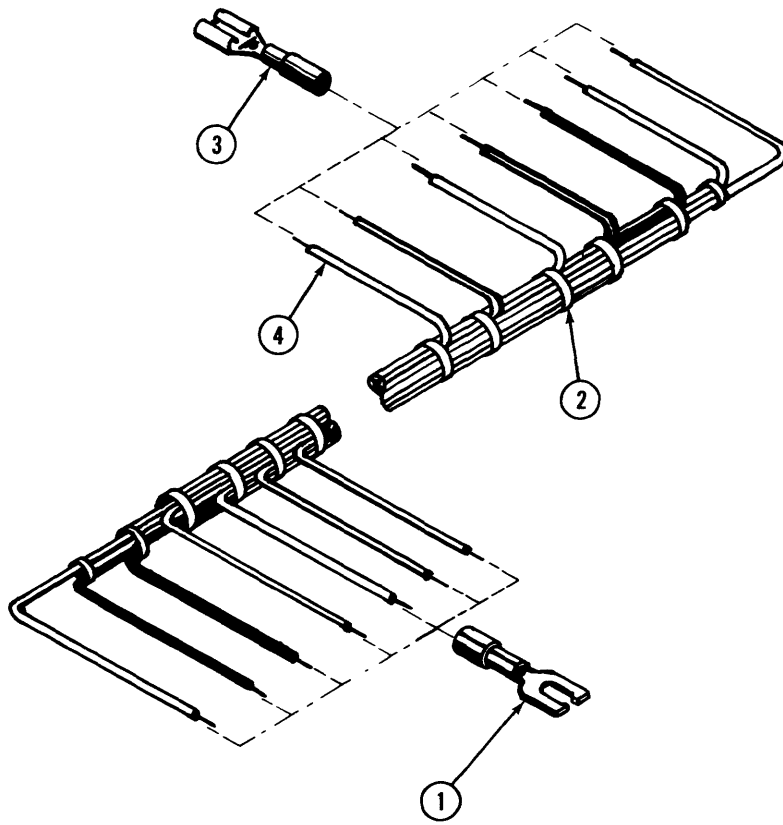


Figure 3-4
400091-01 DC POWER CABLE

SECTION III.4

400091-01 DC POWER CABLE

<u>ITEM</u>	<u>PART NO.</u>	<u>DESCRIPTION</u>
1	10969-08	Terminal, Snap Spade #6
2	10538-01	Cable Tie
3	10513-11	Terminal, Quick Connect Receptacle
4	10951-00	Wire #18 Black
	10951-01	Wire #18 Brown
	10951-02	Wire #18 Red
	10951-04	Wire #18 Yellow
	10951-09	Wire #18 White

APPENDIX 'A'

The following accessories items are available for the 1660 Matrix Terminal:

1. Ribbons:

<u>Part No.</u>	<u>Description</u>
24650-01	Black Cloth

2. Platens:

<u>Part No.</u>	<u>Description</u>
24635	Friction Feed (Standard)
24847-09	Pin Feed (Standard Computer Paper) (14.875" Paper Size, 14.375" Pin to Pin)
24847-10	Pin Feed (15.000" Paper Size, 14.500" Pin to Pin)

3. Tractor Feed:

<u>Part No.</u>	<u>Description</u>
24345	Tractor Feed NOTE: Must be used with Friction Platen, 24635. Tractor Feed is required with Bottom Feed.

4. Touch-up Lacquer Kit:

<u>Part No.</u>	<u>Description</u>
400625-04	Warm Black

5. Publications:

<u>Part No.</u>	<u>Description</u>
400082-XX	Product Description
400083-XX	Maintenance Manual
82413-XX	Printer Maintenance Manual
82414-XX	Printer Parts Catalog

6. Miscellaneous:

<u>Part No.</u>	<u>Description</u>
23744	Extension Cable, EIA, 15 ft. (50 ft. maximum length for proper operation)
23742	Extender Board (Maintenance Tool)
24880-02	Bottom Feed (includes Paper Out Sensor) NOTE: Requires Bottom Pan 24392-03. Does not use top Paper Out Sensor. Tractor Feed, 24345 required.

COMMENT SHEET

FROM

NAME _____ OFFICE/DEPT NO. _____

CITY/STATE _____ DATE _____

To make this manual more useful to you, we want your comments: what additional information should be included in the manual; what description or figure could be clarified; what subject requires more explanation; what presentation is particularly helpful to you; and so forth.

CUT ALONG LINE

How do you rate this manual: EXCELLENT _____ GOOD _____ FAIR _____ POOR _____

NO POSTAGE NECESSARY IF MAILED IN U.S.A.

FOLD ON TWO LINES (LOCATED ON REVERSE SIDE), STAPLE AND MAIL

FOLD

FOLD

First Class
Permit No. 956
Hayward, Calif.

BUSINESS REPLY MAIL
NO POSTAGE NECESSARY IF MAILED IN THE UNITED STATES

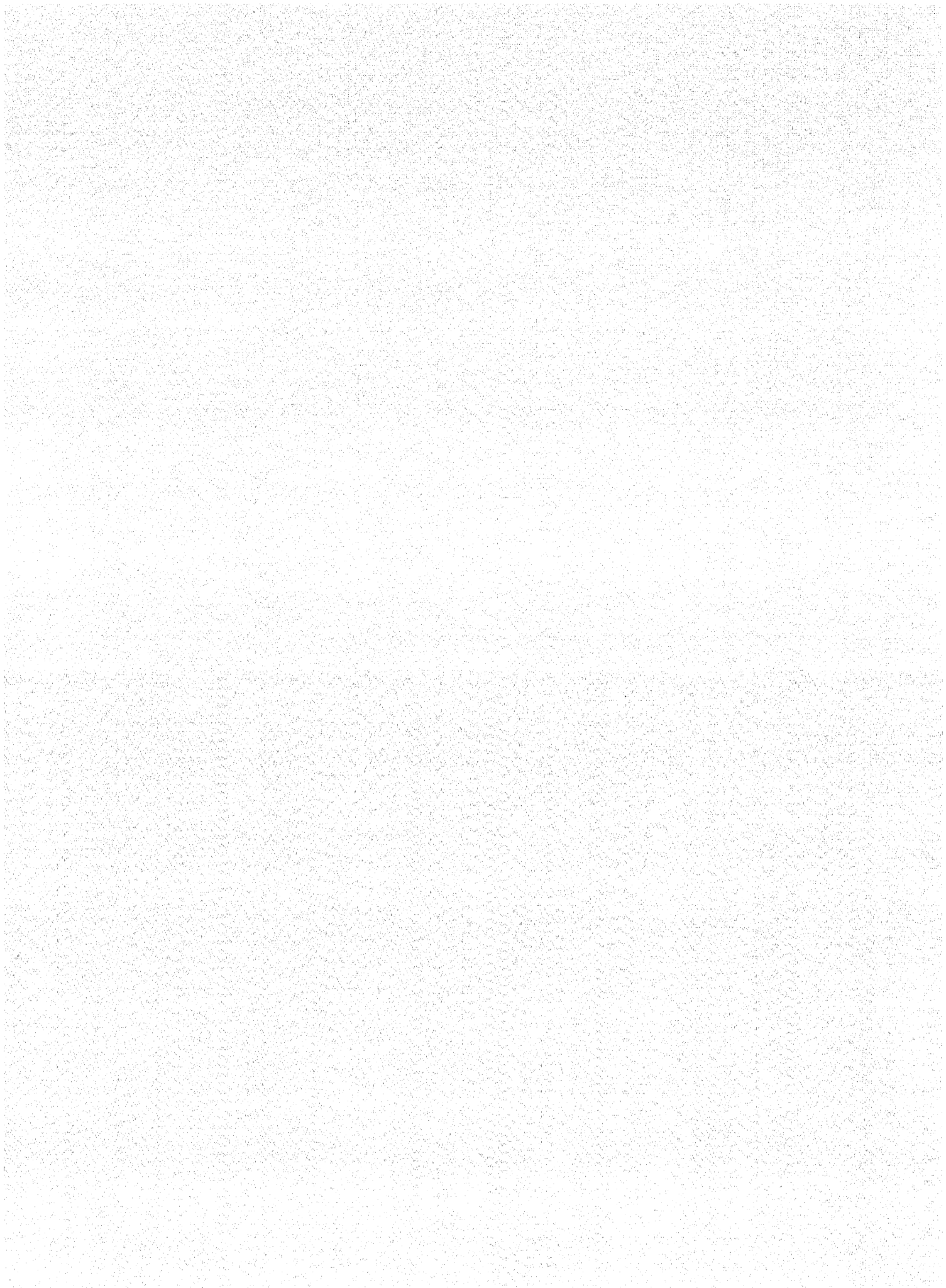


DIABLO SYSTEMS, INC.
24500 INDUSTRIAL BLVD., I-109
HAYWARD, CALIFORNIA 94545

ATTENTION: CS PUBLICATIONS

FOLD

FOLD



XEROX

Diablo Systems Incorporated

24500 Industrial Boulevard
Hayward, California 94545

A Xerox Company