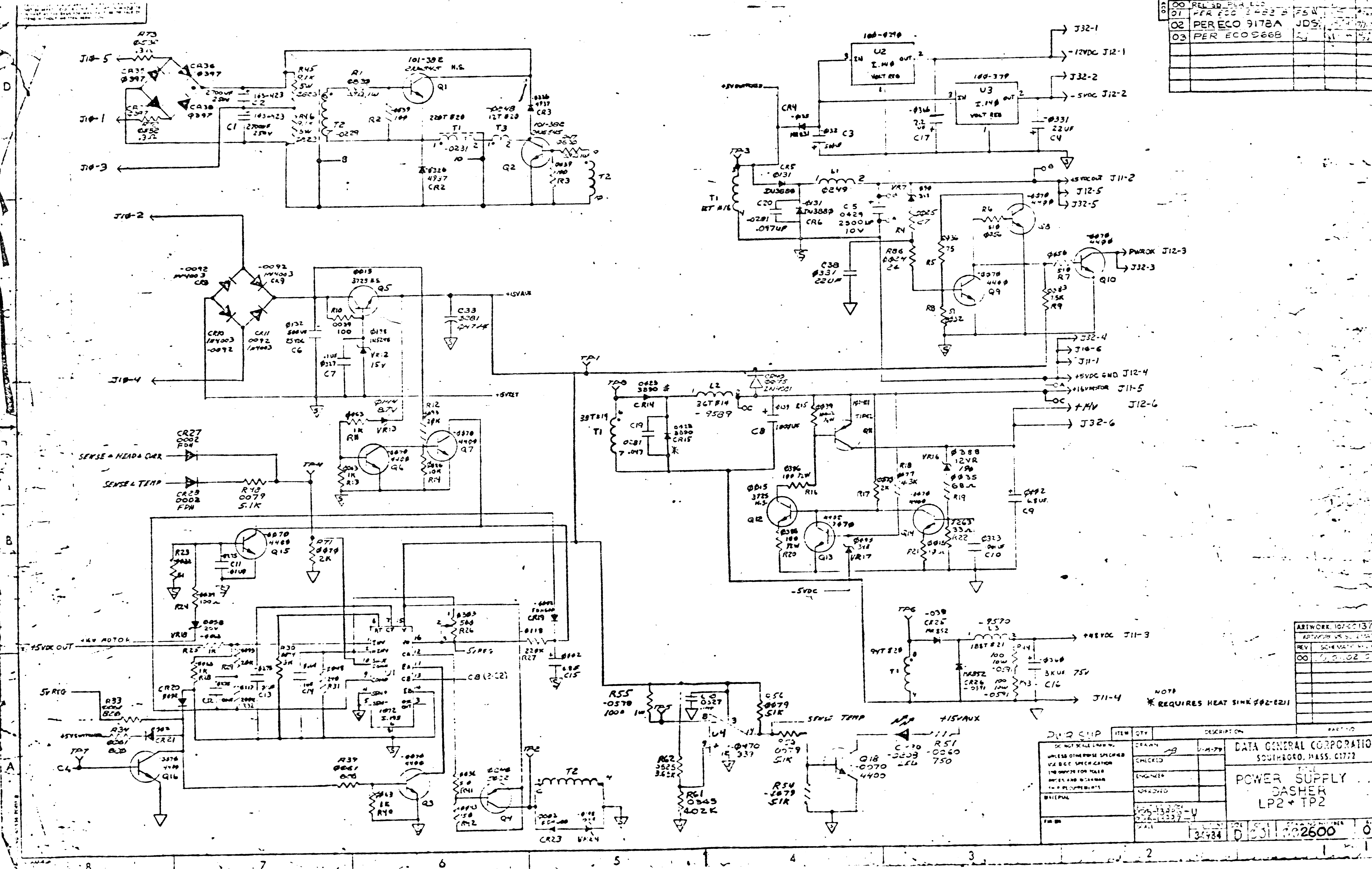


REV	DESCRIPTION
00	REL SR PER ECO
01	PER ECO 3482 B
02	PER ECO 9178A JDS
03	PER ECO 9668

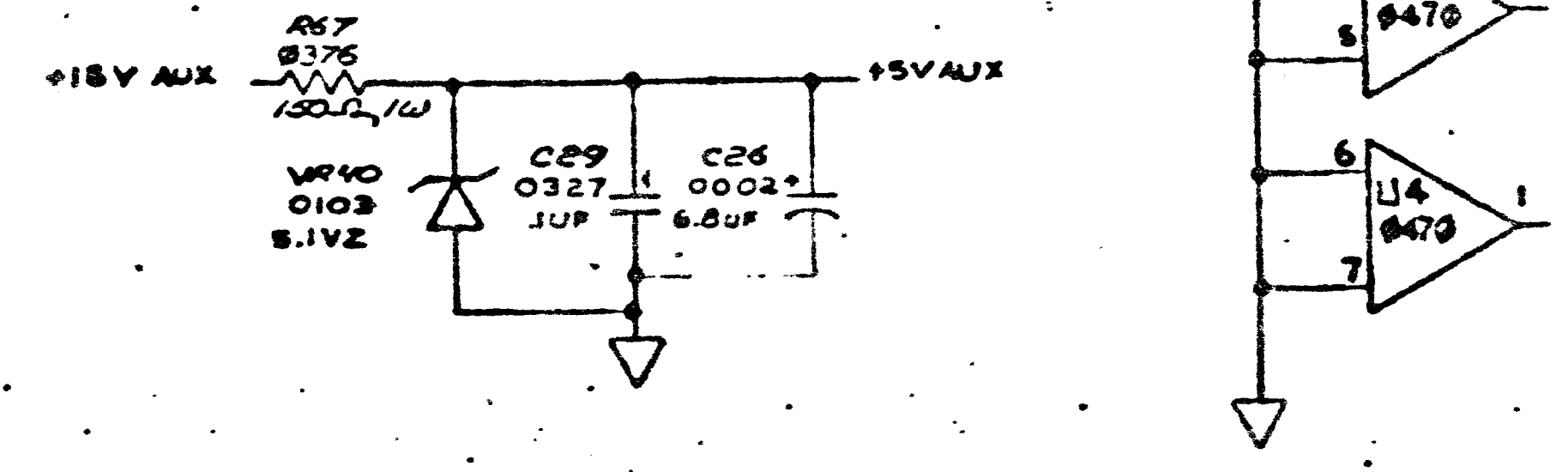
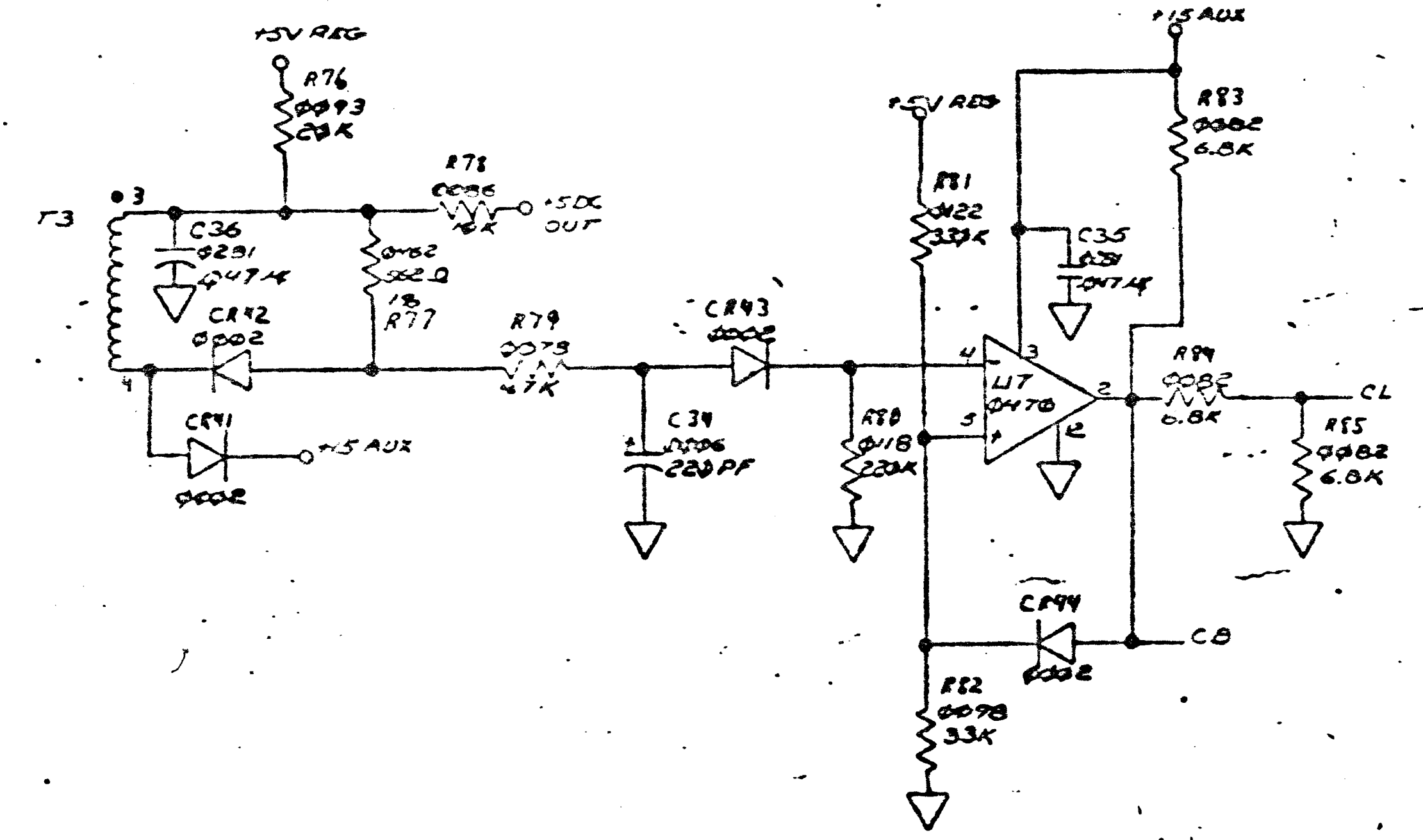
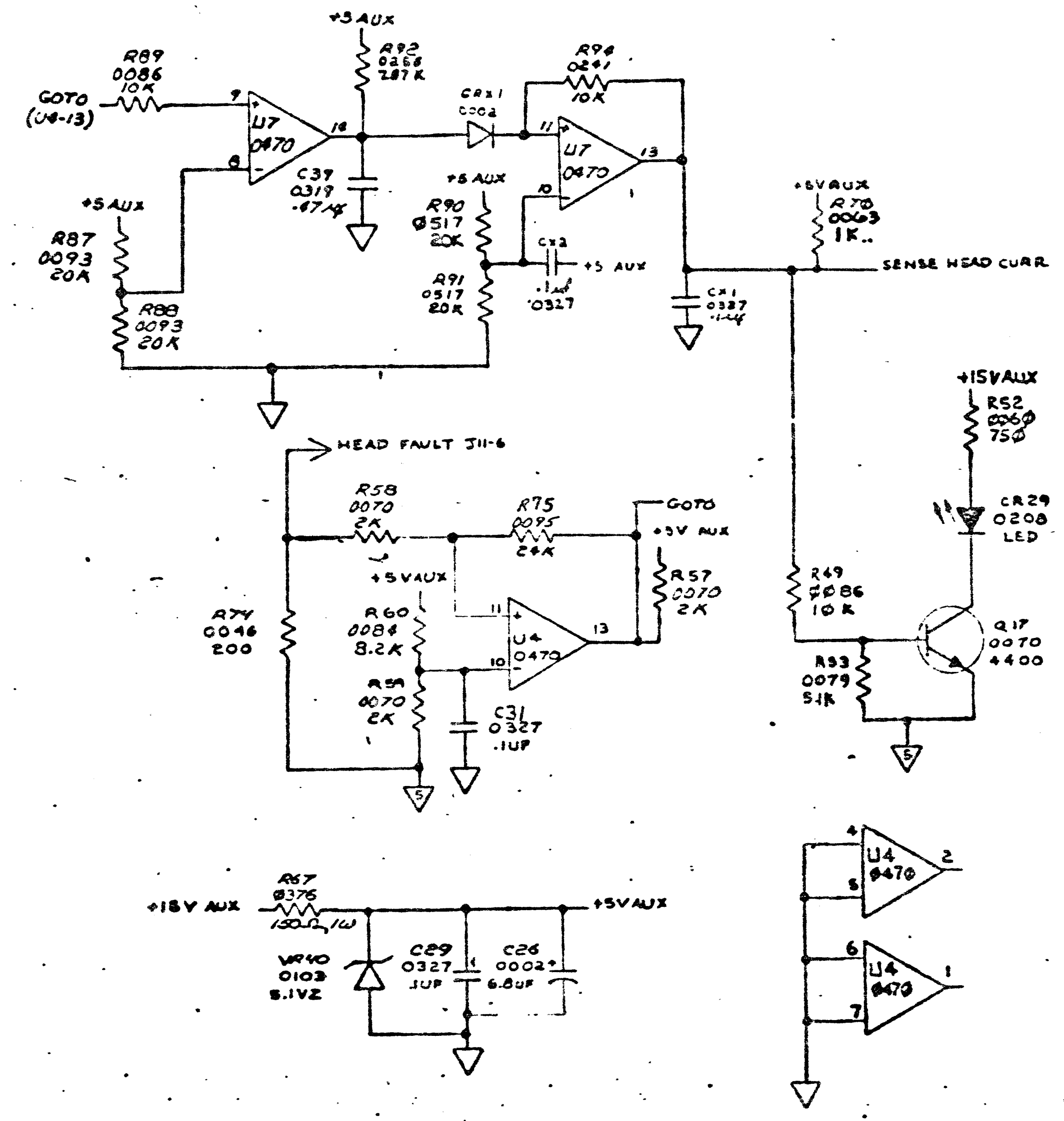


ARTWORK: 101-001372
ARTWORK VS. SCHEMATIC
REV: SCHEMATIC
00: 101-001372

NOTE
* REQUIRES HEAT SINK #02-0211

REV	DESCRIPTION	DATE	BY
00	101-001372	1-15-79	JDS
01	101-001372-4		
02	101-001372-4		

ITEM	QTY	DESCRIPTION	PART NO
1	1	DATA GENERAL CORPORATION	
2	1	SOUTHBORO, MASS. 01772	
3	1	POWER SUPPLY	
4	1	DASHER	
5	1	LP2+ TP2	



ITEM	QTY	DESCRIPTION	PART NO
DO NOT SCALE DRAWING	DRAWN		DATA GENERAL CORPORATION
UNLESS OTHERWISE SPECIFIED	CHECKED		SOUTHBORO, MASS. 01772
USE D.C. SPECIFICATION	ENGINEER		TITLE
DETAILS AND WORKMANSHIP	APPROVED		POWER SUPPLY
MATERIAL	FIRST USED ON		DASHER
	SCALE		LP2 + TP2
		DATE	2600
		REV	03
			2-2

DO NOT SCALE DRAWING

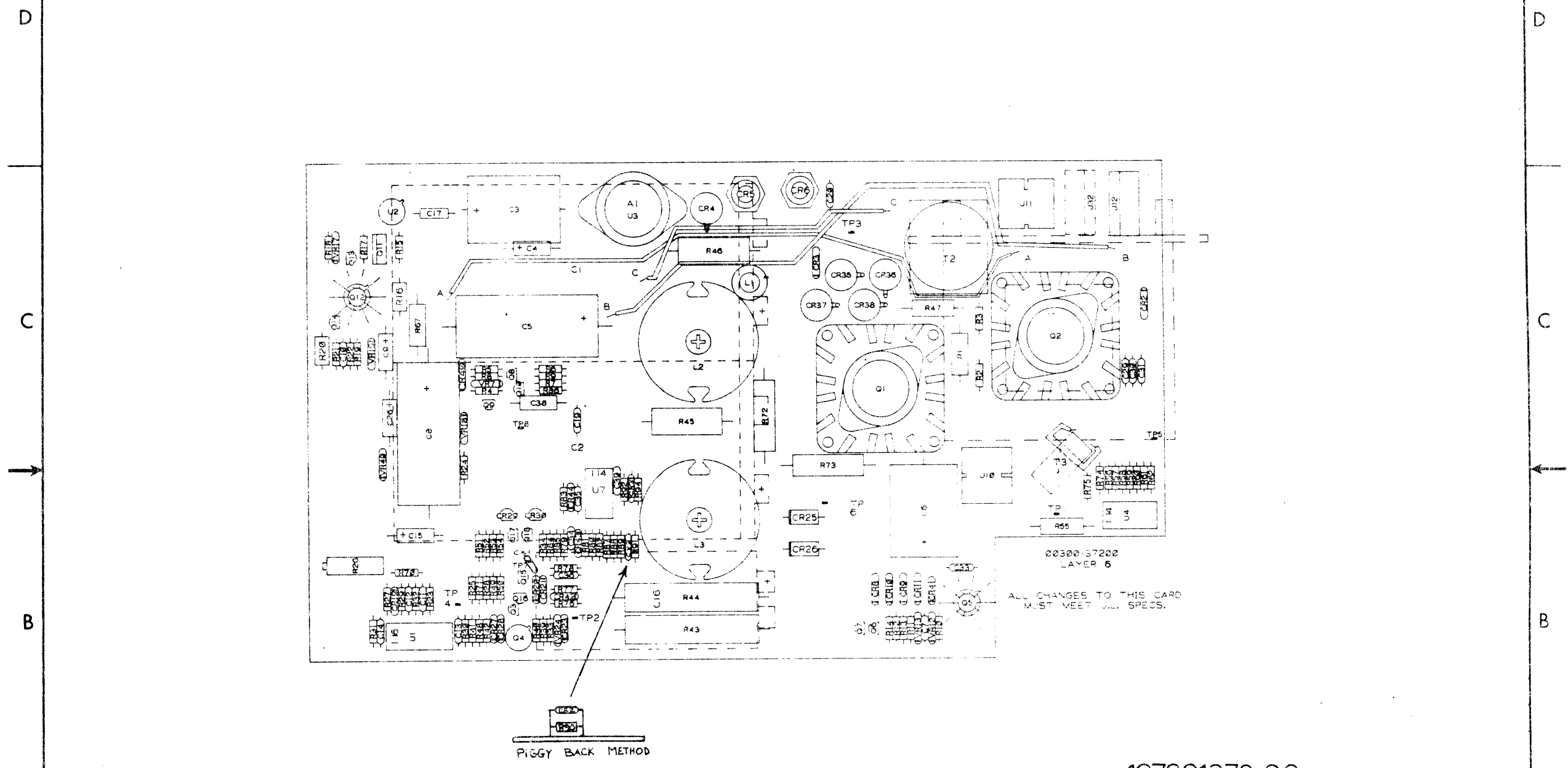
REV 03

C
B
A

6 5 4 3 2 1

THIS DRAWING AND SPECIFICATIONS HEREIN ARE THE PROPERTY OF DATA GENERAL CORPORATION AND SHALL NOT BE REPRODUCED OR COPIED OR USED IN WHOLE OR IN PART AS THE BASIS FOR MANUFACTURE OR SALE OF ITEMS WITHOUT WRITTEN PERMISSION.

REVISIONS				
REV	DESCRIPTION	DRFTG	APP BY	DATE
00	RELEASED PER ECO E472			2-2-79
01	PER ECO E482 B	FS		4/24/79
02	PER ECO 9178A	JDS		7/19/79



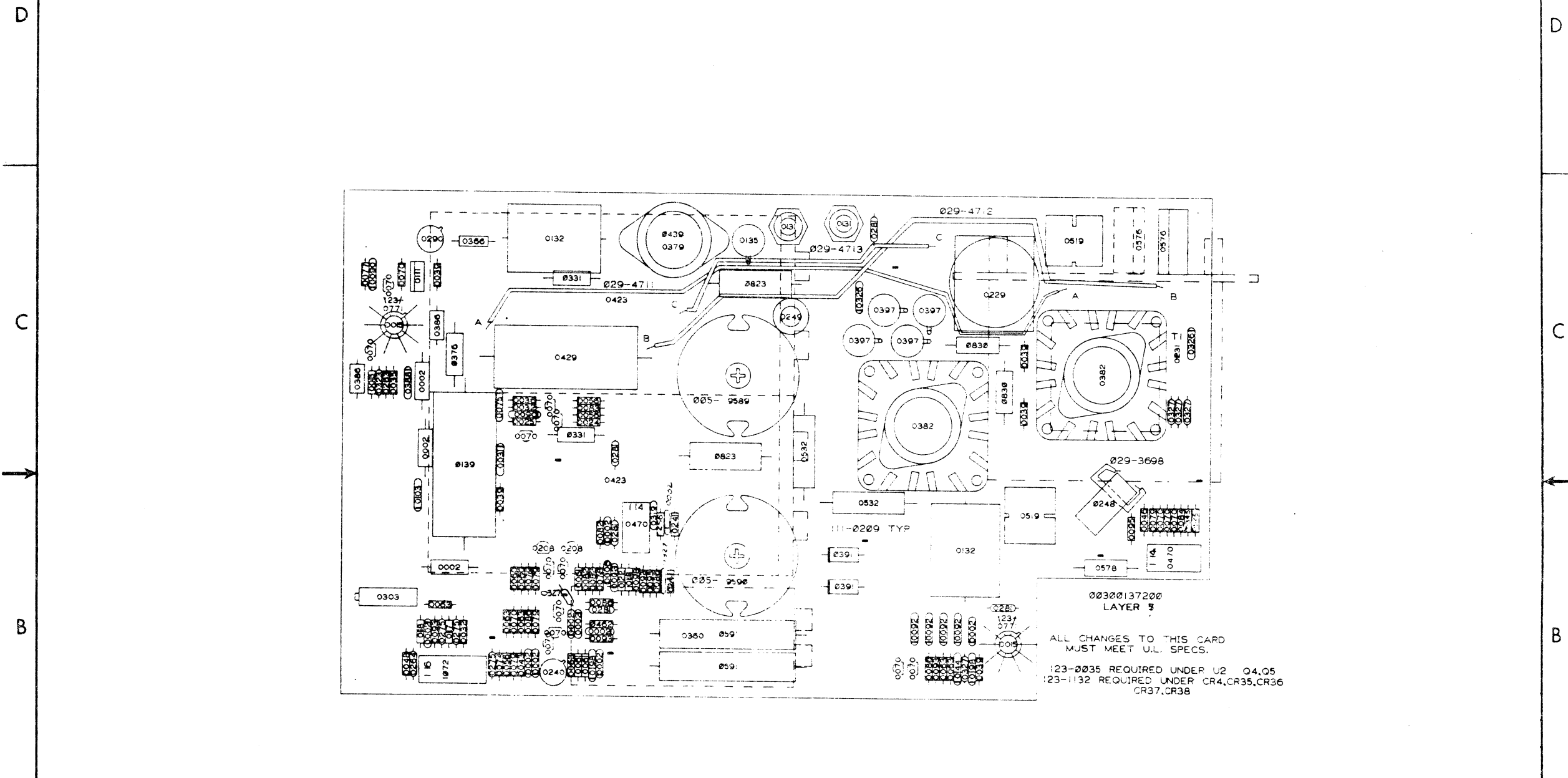
107001372-00
003001372-01

ITEM	QTY	DESCRIPTION	PART NO
DO NOT SCALE DRAWING			
UNLESS OTHERWISE SPECIFIED			
USE D.G.C. SPECIFICATION			
105 000028 FOR TOLERANCES AND WORKMANSHIP REQUIREMENTS			
MATERIAL			
FINISH			
DRAWN		DATA GENERAL CORPORATION	
CHECKED		WESTBORO, MASS. 01581	
ENGINEER		TITLE	
APPROVED		IPL	
FIRST USED ON		POWER SUPPLY	
005 013886-U		DASHER LP2/TP2	
005 013887-T			
SCALE	CODE IDENT	SIZE	CODE
DRAWING NUMBER		REV	
C 016		000881 02	

DRAWING: 401506-45976-1

THIS DRAWING AND SPECIFICATIONS HEREIN ARE THE PROPERTY OF DATA GENERAL CORPORATION AND SHALL NOT BE REPRODUCED OR COPIED IN WHOLE OR IN PART AS THE BASIS FOR MANUFACTURE OR SALE OF ITEMS WITHOUT WRITTEN PERMISSION.

REVISIONS				
REV	DESCRIPTION	DRFTG	APP BY	DATE



00300137200
LAYER 5

ALL CHANGES TO THIS CARD
MUST MEET U.L. SPECS.

123-0035 REQUIRED UNDER U2 04,05
123-1132 REQUIRED UNDER CR4,CR35,CR36
CR37,CR38

PRINTING 40-526-15976-1

THIRD ANGLE PROJECTION

ITEM	QTY	DESCRIPTION	PART NO
DO NOT SCALE DRAWING UNLESS OTHERWISE SPECIFIED USE D.G.C. SPECIFICATION 108 000028 FOR TOLERANCES AND WORKMANSHIP REQUIREMENTS	DRAWN <i>James Udnie</i> 3-14-79 CHECKED		DATA GENERAL CORPORATION WESTBORO, MASS. 01581
MATERIAL	ENGINEER		TITLE IPL
FINISH	APPROVED		POWER SUPPLY DASHER LP2/TP2
	FIRST USED ON		
	SCALE	CODE IDENT	SIZE CODE DRAWING NUMBER REV
			C 016 000881 02