

1

BSR ASSY

E-UA-LASXX-AE-Ø

2

LASXX-AE, F MODIFIED
BSR
B-DD-5412563-0

3

BRACKET ASSY

D-IA-7013270-0-0

TRANSFORMER ASSY

C-IA-7012589-0-0

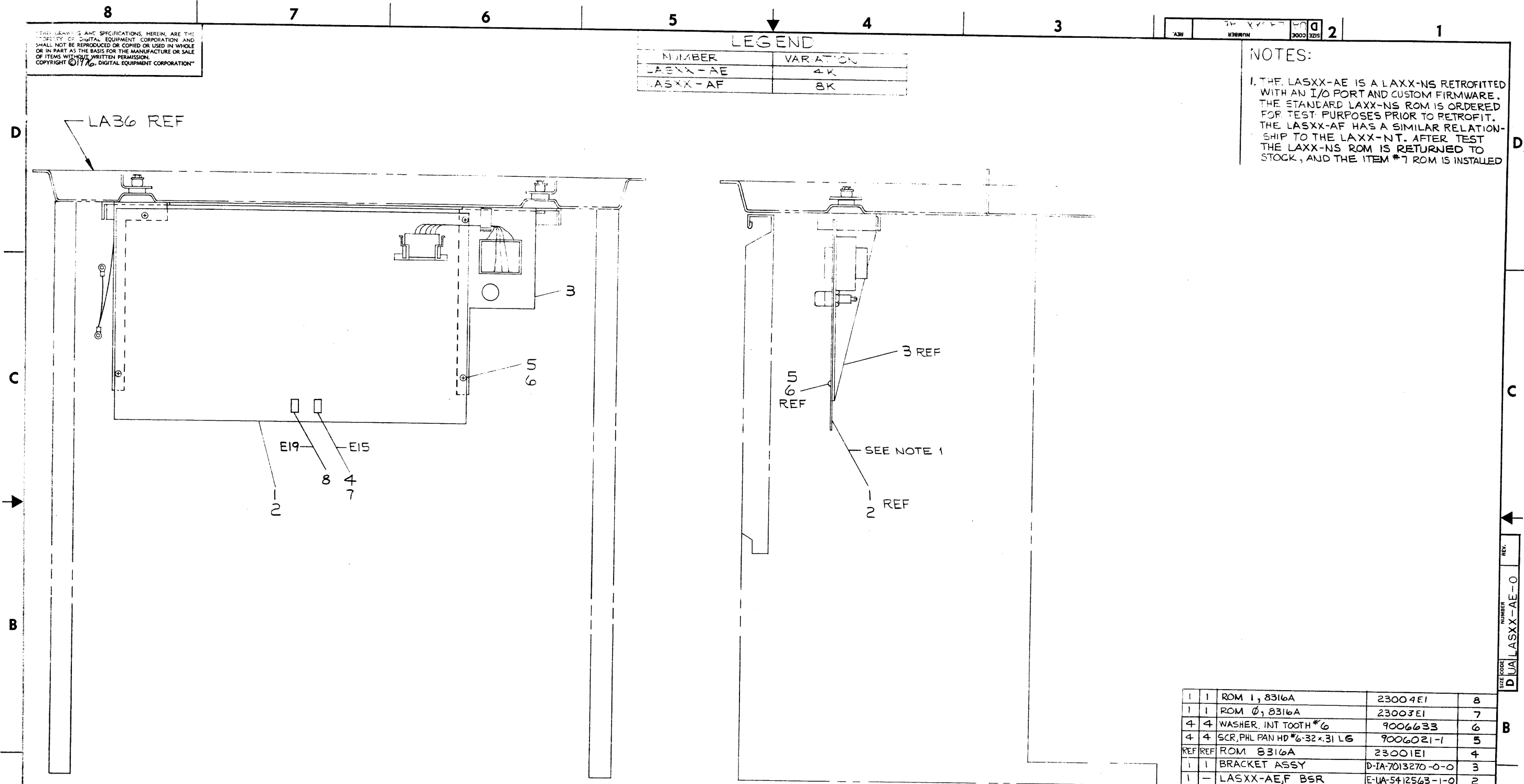
4

TITLE	SHEET	SIZE	CODE	NUMBER	REV
MODIFIED BSR ASSY	2 OF 3	B	DD	LASXX-AE	

THIS DRAWING AND SPECIFICATIONS, HEREIN, ARE THE PROPERTY OF DIGITAL EQUIPMENT CORPORATION AND SHALL NOT BE REPRODUCED OR COPIED OR USED IN WHOLE OR IN PART AS THE BASIS FOR THE MANUFACTURE OR SALE OF ITEMS WITHOUT WRITTEN PERMISSION. COPYRIGHT © 1976, DIGITAL EQUIPMENT CORPORATION

LEGEND	
NUMBER	VARIATION
LASXX-AE	4K
LASXX-AF	8K

NOTES:
 1. THE LASXX-AE IS A LAXX-NS RETROFITTED WITH AN I/O PORT AND CUSTOM FIRMWARE. THE STANDARD LAXX-NS ROM IS ORDERED FOR TEST PURPOSES PRIOR TO RETROFIT. THE LASXX-AF HAS A SIMILAR RELATIONSHIP TO THE LAXX-NT. AFTER TEST THE LAXX-NS ROM IS RETURNED TO STOCK, AND THE ITEM #7 ROM IS INSTALLED



QTY	DESCRIPTION	DWG./PART NO.	ITEM NO.
1	ROM 1, 8316A	23004E1	8
1	ROM 0, 8316A	23003E1	7
4	WASHER, INT TOOTH #6	9006633	6
4	SCR, PHL PAN HD #6-32 x .31 LG	9006021-1	5
REF	ROM 8316A	23001E1	4
1	BRACKET ASSY	D-IA-7013270-0-0	3
1	LASXX-AE,F BSR	E-UA-5412563-1-0	2
1	LASXX-AE,F BSR	E-UA-5412563-0-0	1

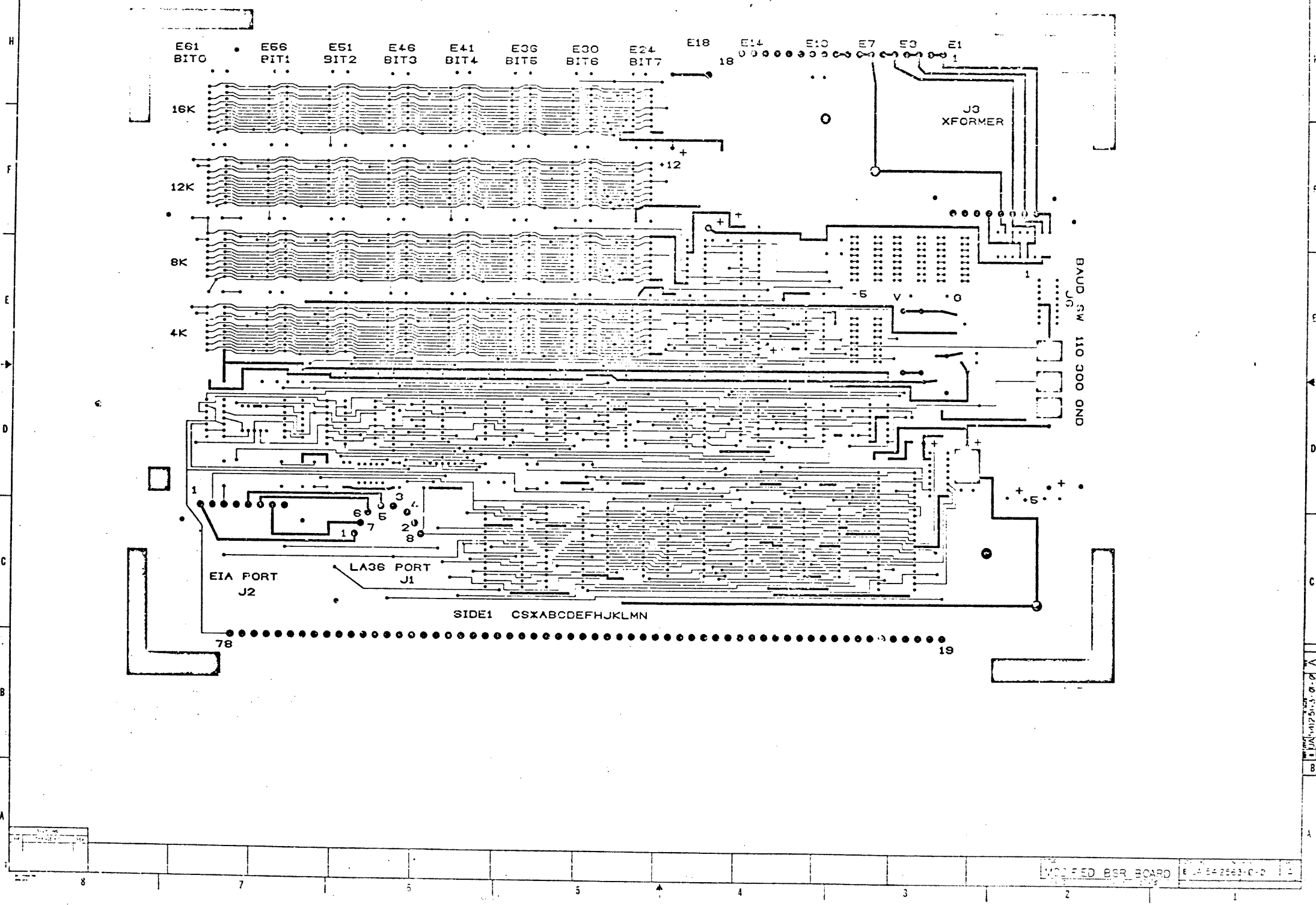
SURFACE QUALITY	IN	NOMINAL DIMENSION RANGE INCHES					
		OVER 0 TO 0.2	OVER 0.2 TO 1.2	OVER 1.2 TO 4.0	OVER 4.0 TO 12.0	OVER 12.0 TO 40.0	OVER 40.0 TO 80.0
MEDIUM	□	±.004	±.012	±.016	±.024	±.04	
PREFERRED	□	±.012	±.016	±.025	±.04	±.063	±.1

THIRD ANGLE PROJECTION	DRN. <i>[Signature]</i>	FIRST USED ON	TA36
REMOVE BURRS AND BREAK SHARP CORNERS	CHK'D <i>[Signature]</i>	TITLE	MODIFIED BSR ASSY
DO NOT SCALE DWG	ENG. <i>[Signature]</i>	SIZE	D
MATERIAL SEE PARTS LIST	PROD. <i>[Signature]</i>	CODE	UA
FINISH	NEXT HIGHER ASSY.	NUMBER	LASXX-AE-0
	SCALE	REV.	
	SHEET	DIST.	

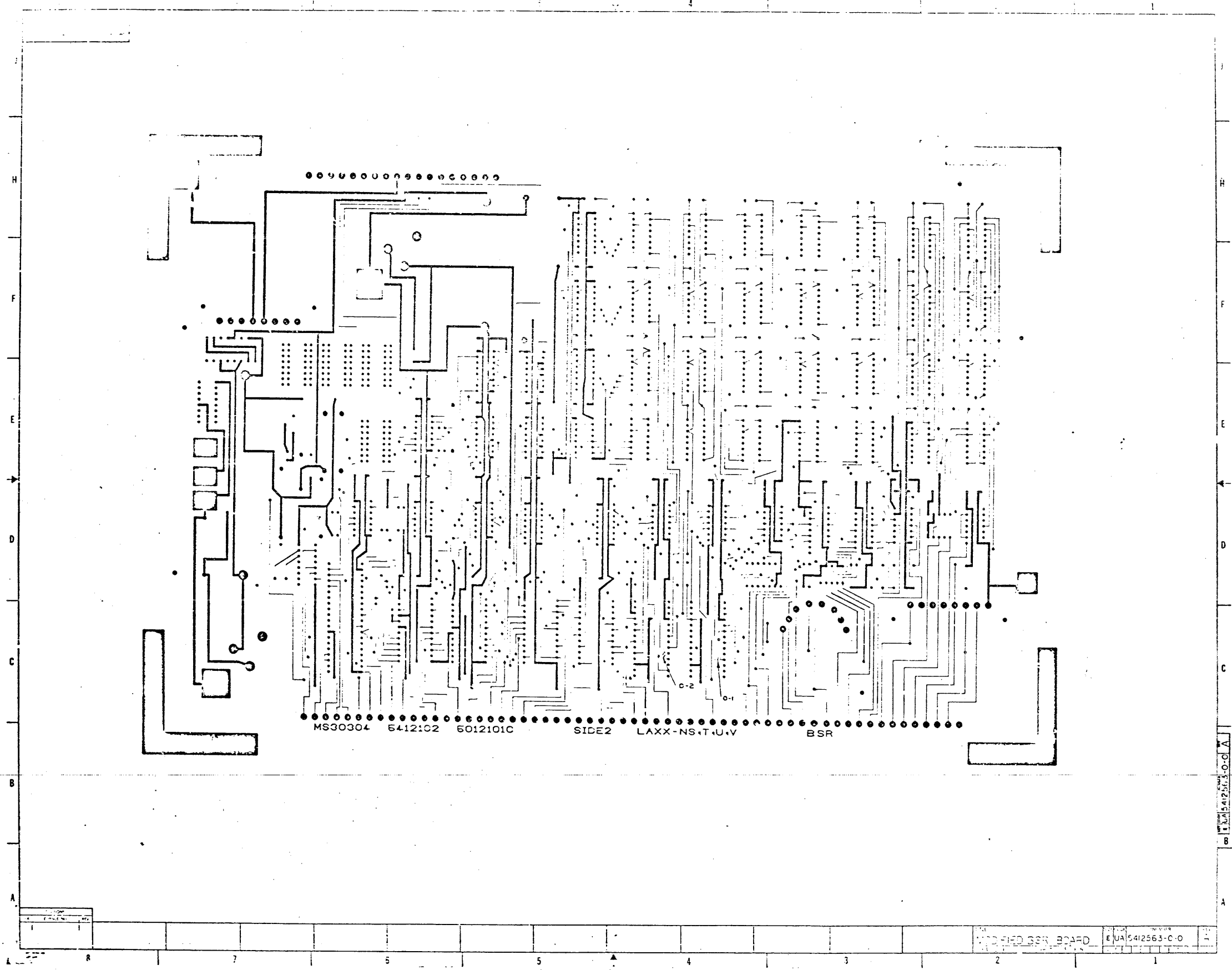
REV.	CHANGE NO.

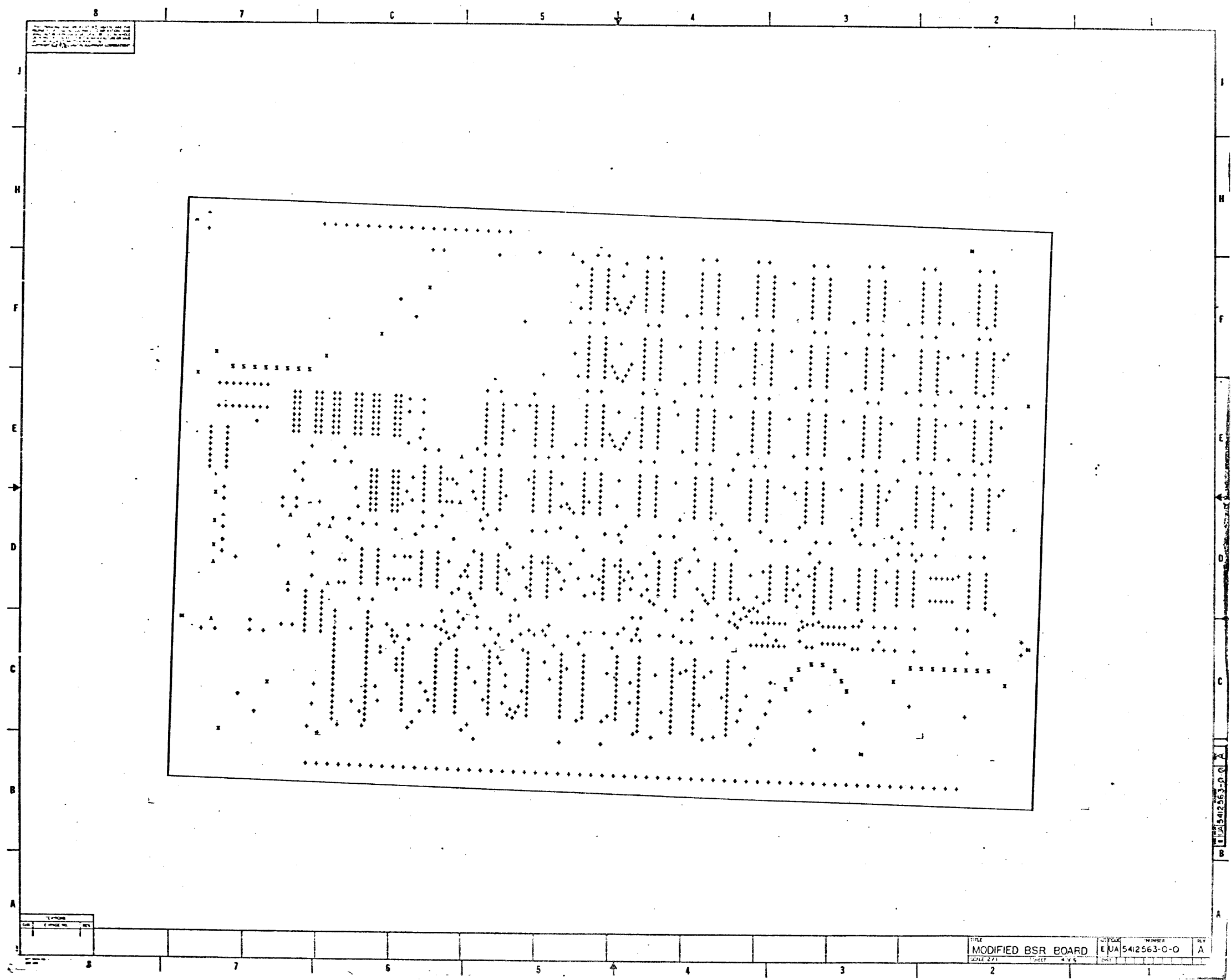
SIZE CODE NUMBER
 D UA LASXX-AE-0

MS30304 6412102 50121010



MODIFIED BSR BOARD 64-2563-C-0 1



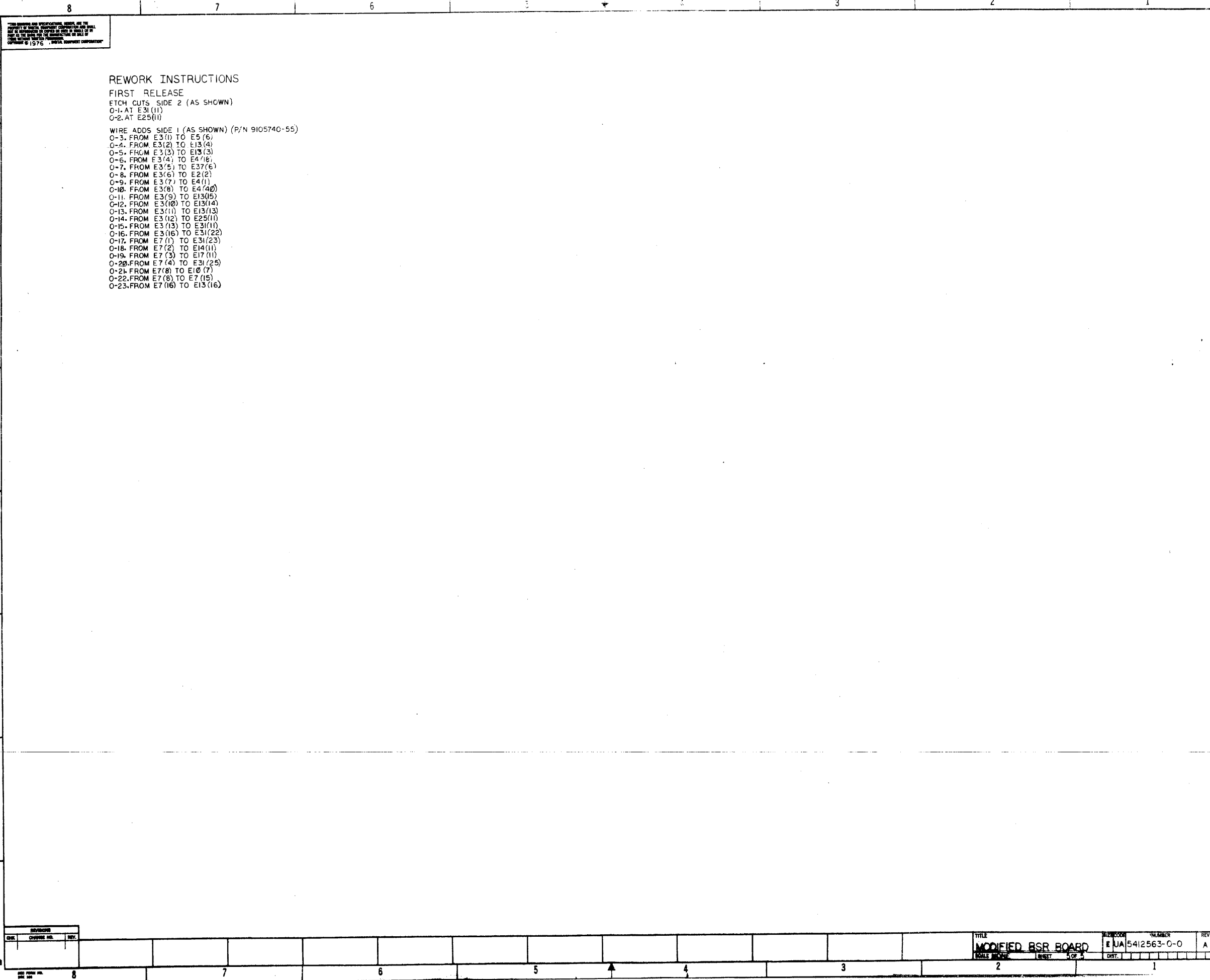


1. BOARD DIMENSIONS: 4.0" x 5.0"
 2. BOARD MATERIAL: FR-4
 3. BOARD FINISH: HASL
 4. BOARD TOLERANCES: ±0.15mm
 5. BOARD WEIGHT: 1.2g

1. BOARD DIMENSIONS: 4.0" x 5.0"
 2. BOARD MATERIAL: FR-4
 3. BOARD FINISH: HASL
 4. BOARD TOLERANCES: ±0.15mm
 5. BOARD WEIGHT: 1.2g

TITLE	MODIFIED BSR BOARD	DATE	4/15	REV	A
SCALE	2:1	DESIGNER	EUA	WINSER	5412563-0-0

5412563-0-0



THIS DRAWING AND SPECIFICATIONS, HEREIN, ARE THE PROPERTY OF TEXAS INSTRUMENTS CORPORATION AND SHALL NOT BE REPRODUCED OR COPIED IN WHOLE OR IN PART WITHOUT THE WRITTEN PERMISSION OF TEXAS INSTRUMENTS CORPORATION. © 1976

REWORK INSTRUCTIONS

FIRST RELEASE

ETCH CUTS SIDE 2 (AS SHOWN)

O-1. AT E3(11)

O-2. AT E25(11)

WIRE ADDS SIDE 1 (AS SHOWN) (P/N 9105740-55)

O-3. FROM E3(1) TO E5(6)

O-4. FROM E3(2) TO E13(4)

O-5. FROM E3(3) TO E13(3)

O-6. FROM E3(4) TO E4(10)

O-7. FROM E3(5) TO E37(6)

O-8. FROM E3(6) TO E2(2)

O-9. FROM E3(7) TO E4(11)

O-10. FROM E3(8) TO E4(40)

O-11. FROM E3(9) TO E13(15)

O-12. FROM E3(10) TO E13(14)

O-13. FROM E3(11) TO E13(13)

O-14. FROM E3(12) TO E25(11)

O-15. FROM E3(13) TO E31(11)

O-16. FROM E3(16) TO E31(22)

O-17. FROM E7(1) TO E31(23)

O-18. FROM E7(2) TO E14(11)

O-19. FROM E7(3) TO E17(11)

O-20. FROM E7(4) TO E31(25)

O-21. FROM E7(8) TO E10(7)

O-22. FROM E7(8) TO E7(15)

O-23. FROM E7(16) TO E13(16)

REVISIONS		
DATE	CHANGE NO.	REV.

TITLE	REV. CODE	NUMBER	REV.
MODIFIED BSR BOARD	EJA	5412563-0-0	A
SHEET		5 OF 5	DIST.

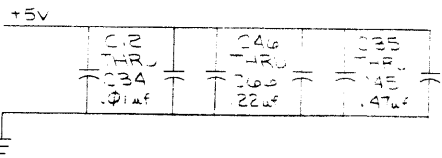
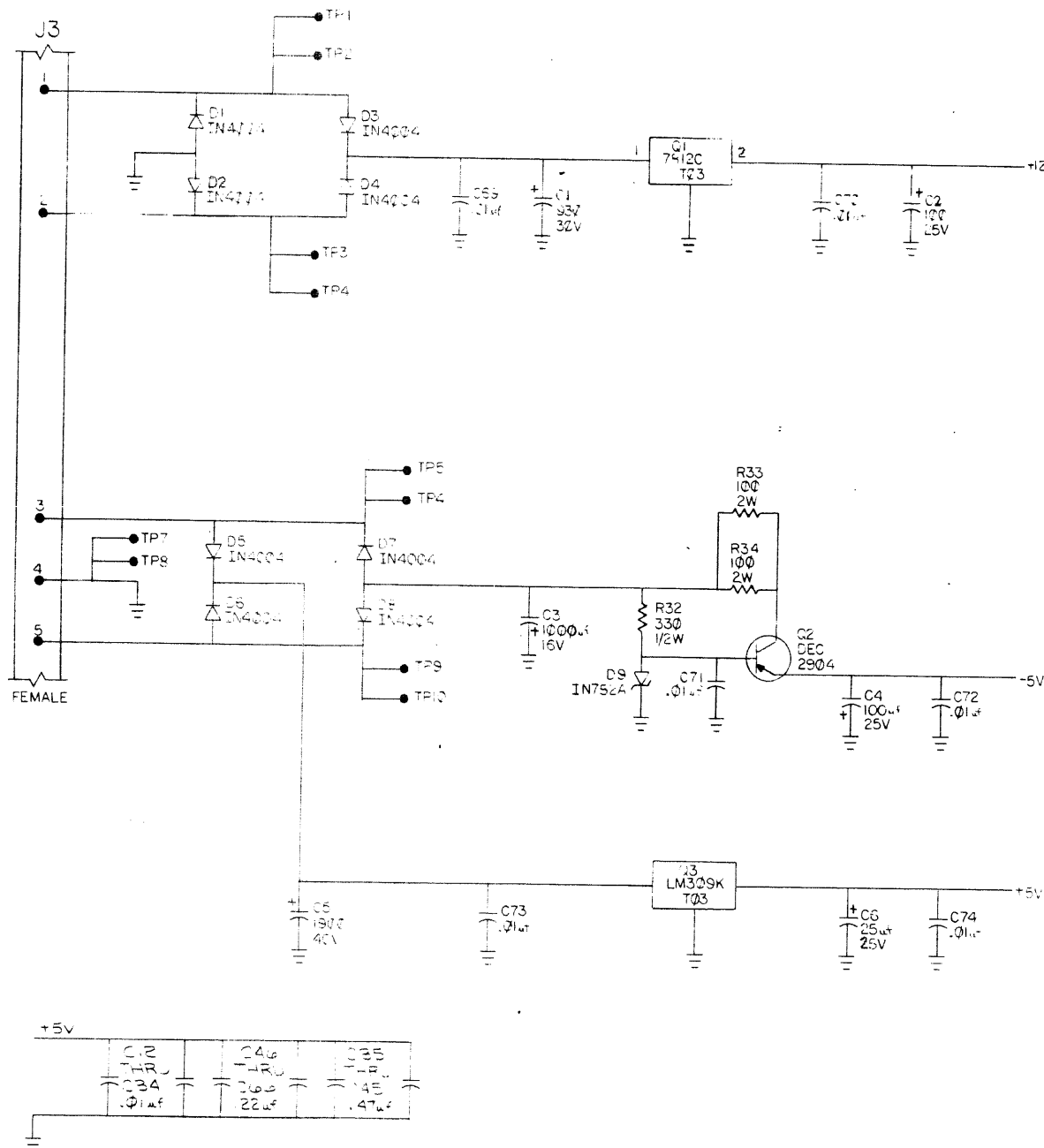
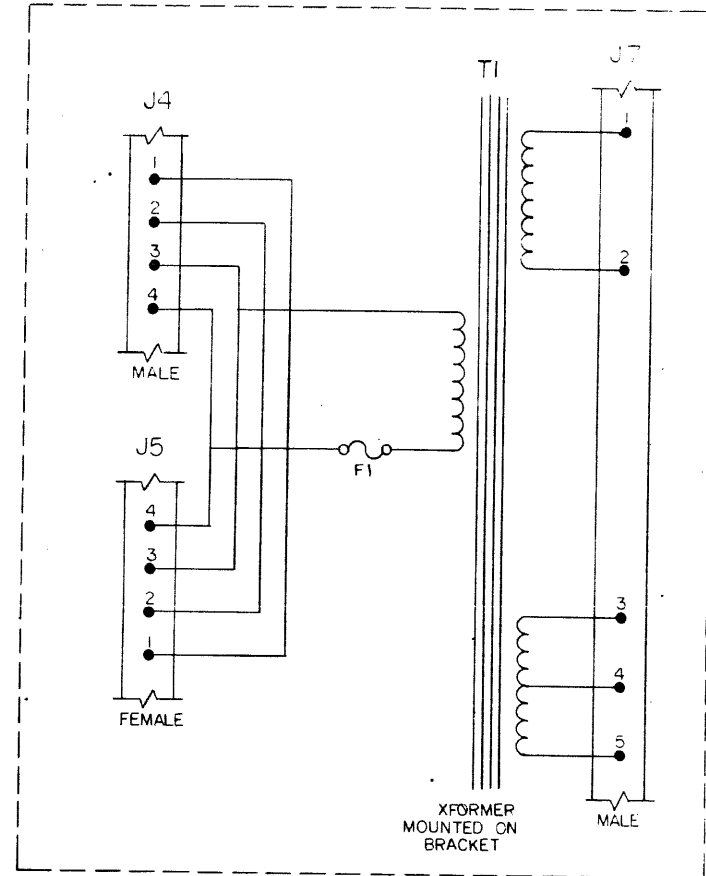
THIS DRAWING AND SPECIFICATIONS, HEREIN, ARE THE PROPERTY OF DIGITAL EQUIPMENT CORPORATION, AND SHALL NOT BE REPRODUCED OR COPIED OR USED IN WHOLE OR IN PART AS THE BASIS FOR THE MANUFACTURE OR SALE OF ITEMS WITHOUT WRITTEN PERMISSION. COPYRIGHT © 1976, DIGITAL EQUIPMENT CORPORATION

V 1-0-0002100 SO 2 1

NOTES:

1. UNLESS OTHERWISE SPECIFIED, THE FOLLOWING PIN NUMBERS APPLY:

PACKAGE TYPE	VCC	GND	-VCC
16 PIN DIP	6	8	13
14 PIN DIP	14	7	1
75107	14	7	1
MK4016	9	8	12
24 PIN DIP	24	12	-

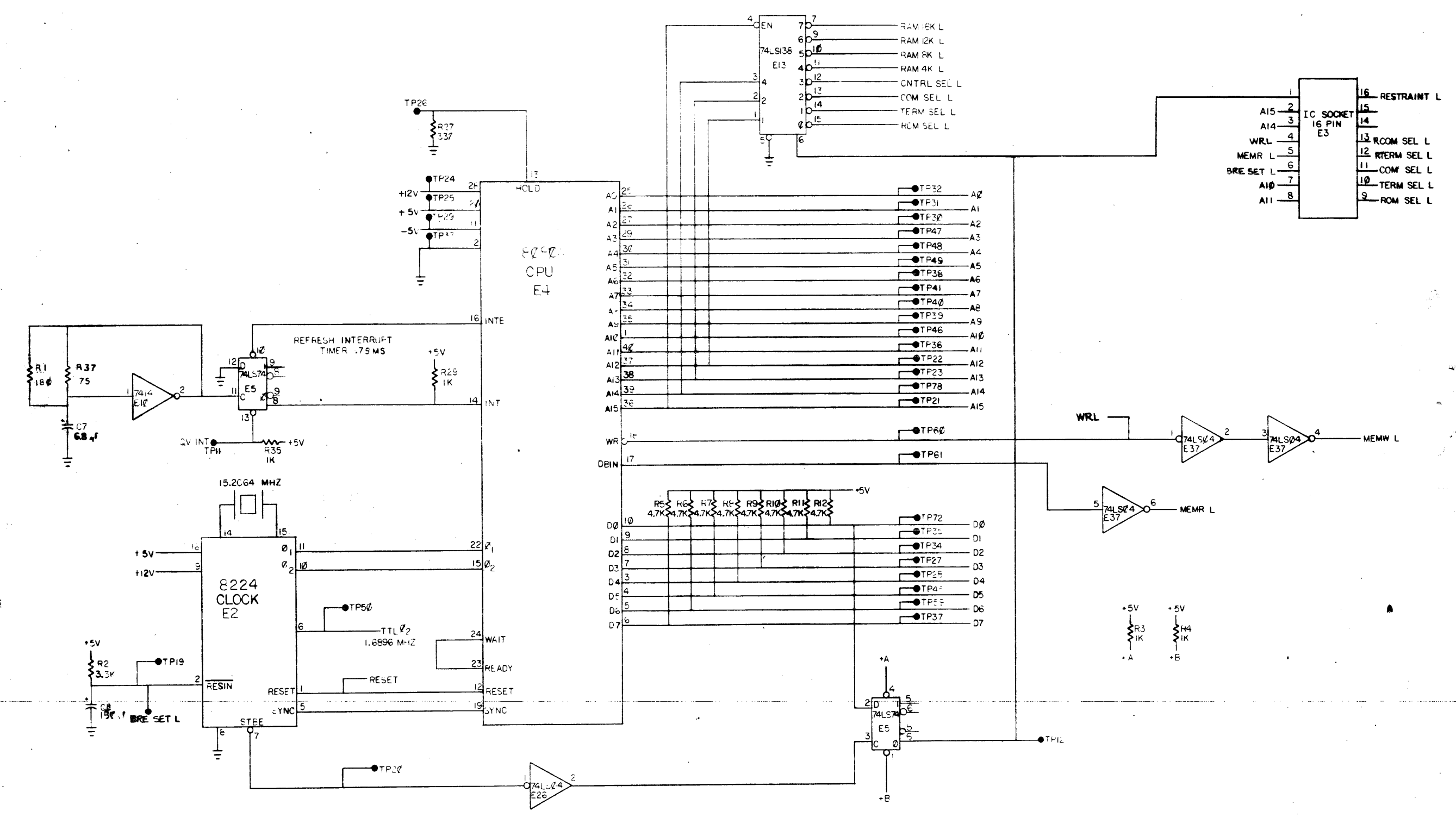


REV	CHANGE NO.	DATE
A	1	25-FEB-77

CHK: J. C. YR

DRN. NO. 1000000000	FIRST USED ON	digital
CHK'D	TITLE	MODIFIED BSR BOARD
ENG.	PROJ. ENG.	
PRD.	NEXT HIGHER ASSY.	
SCALE	SIZE CODE	NUMBER
	D	5412563-0-1
		REV. A

"THIS DRAWING AND SPECIFICATIONS, HEREIN, ARE THE PROPERTY OF DIGITAL EQUIPMENT CORPORATION AND SHALL NOT BE REPRODUCED OR COPIED OR USED IN WHOLE OR IN PART AS THE BASIS FOR THE MANUFACTURE OR SALE OF ITEMS WITHOUT WRITTEN PERMISSION. COPYRIGHT © 1976 DIGITAL EQUIPMENT CORPORATION"

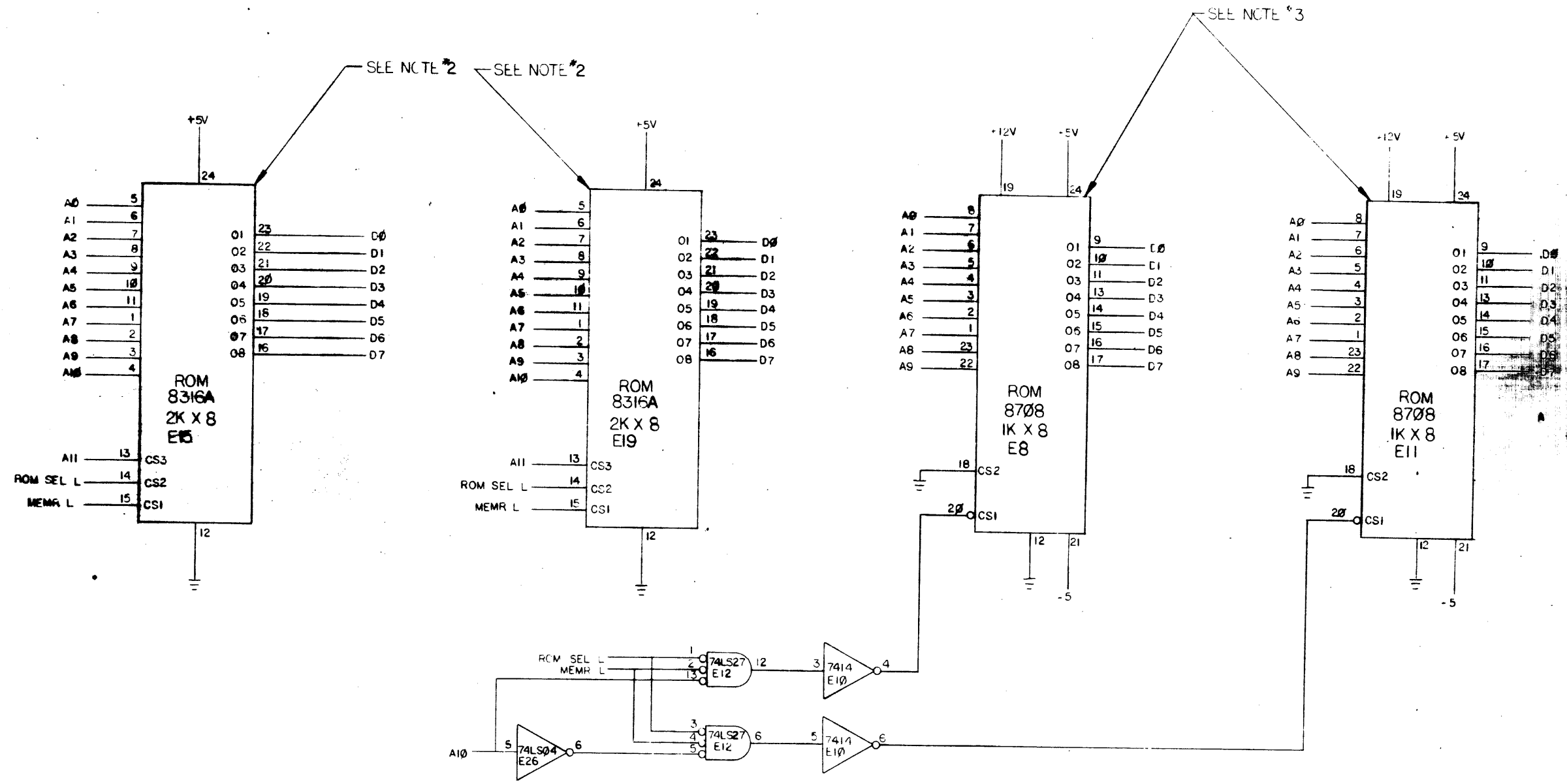


REVISIONS		
CHK	CHANGE NO.	REV.

THESE DRAWINGS AND SPECIFICATIONS, HEREIN, ARE THE PROPERTY OF DIGITAL EQUIPMENT CORPORATION AND SHALL NOT BE REPRODUCED OR COPIED OR USED IN WHOLE OR IN PART AS THE BASIS FOR THE MANUFACTURE OR SALE OF ITEMS WITHOUT WRITTEN PERMISSION. DIGITAL EQUIPMENT CORPORATION, 1976

NOTES:
 2. INSERTED AT A HIGHER ASSEMBLY SEE D-UA-LASXX-AE-0.
 3. NOT INSERTED

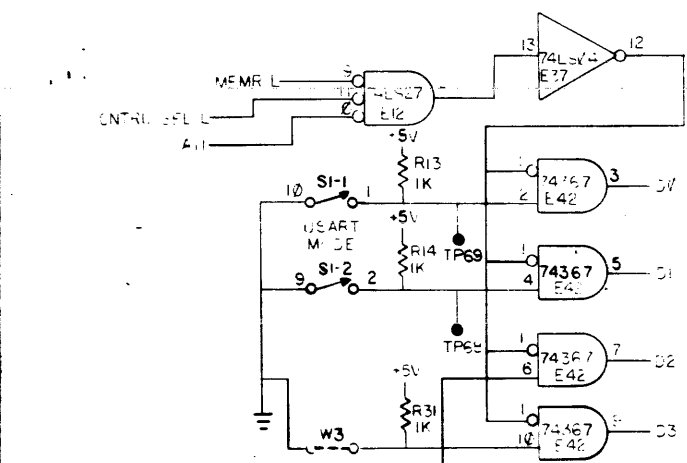
V 1-0-399215 SO D 2



REVISIONS		
CHK	CHANGE NO	REV

TITLE: MODIFIED BSR BOARD
 SIZE CODE: DCS
 NUMBER: 5412563-0-1
 REV: A
 SCALE: 1:1
 SHEET 3 OF 9
 DIST.:

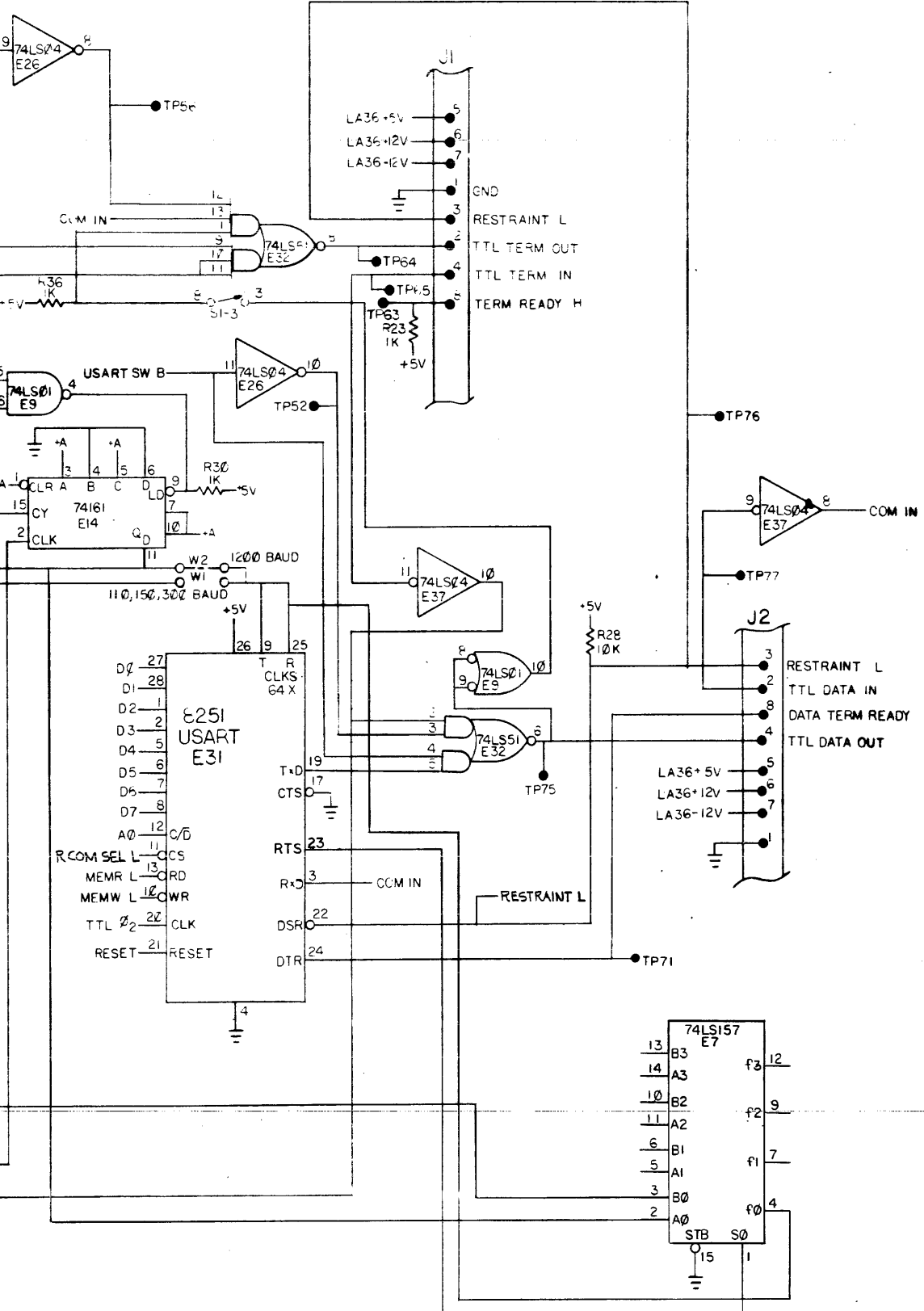
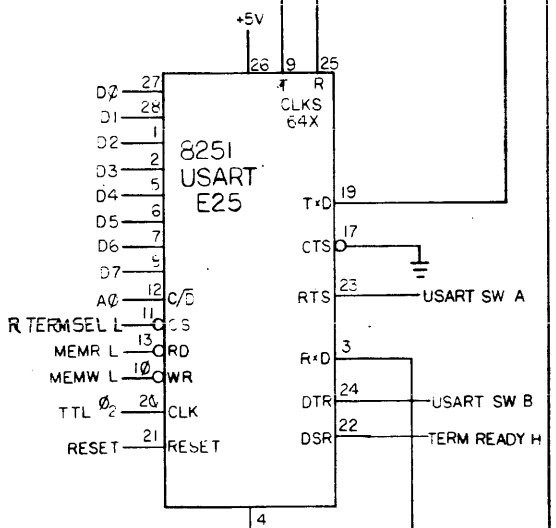
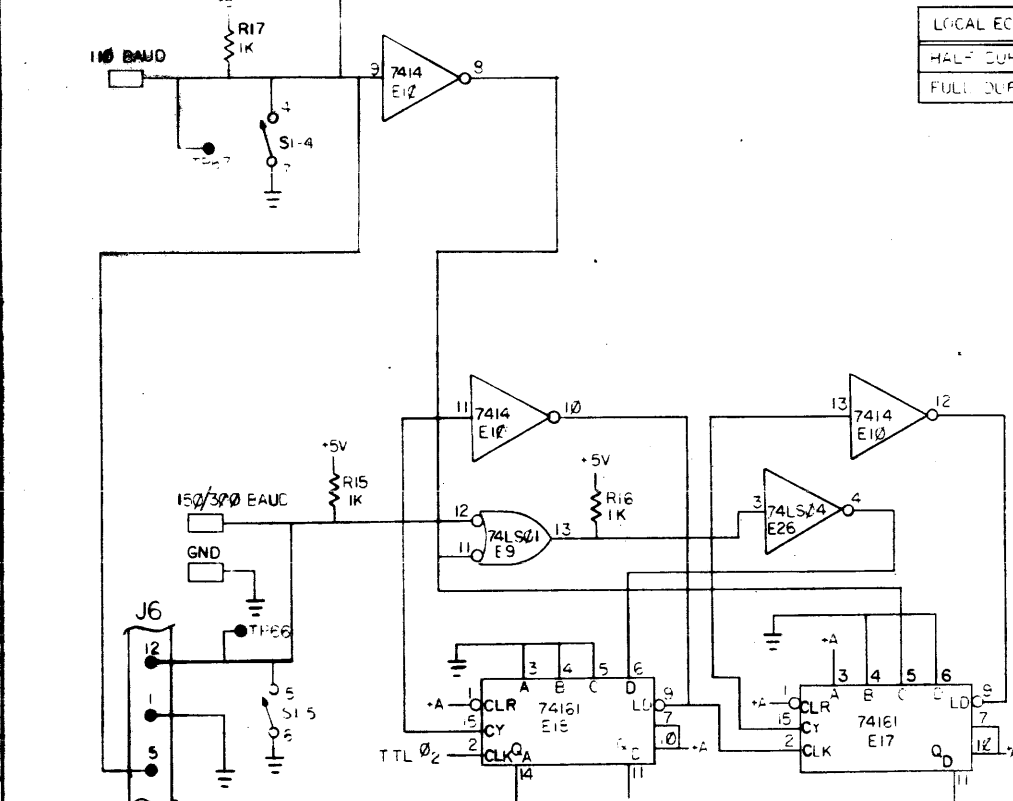
"THIS DRAWING AND SPECIFICATIONS HEREIN ARE THE PROPERTY OF DIGITAL EQUIPMENT CORPORATION AND SHALL NOT BE REPRODUCED OR COPIED OR USED IN WHOLE OR IN PART AS THE BASIS FOR THE MANUFACTURE OR SALE OF ITEMS WITHOUT WRITTEN PERMISSION. COPYRIGHT © 1976 DIGITAL EQUIPMENT CORPORATION"



FUNCTION	110 BAUD	150/300 BAUD
110	OFF	ON
150	ON	ON
300	ON	OFF
PANEL	OFF	OFF

USART MODE	110	150
8TH BIT MARKING	ON	ON
8TH BIT SPACING	ON	OFF
EVEN PARITY	OFF	ON
ODD PARITY	OFF	OFF

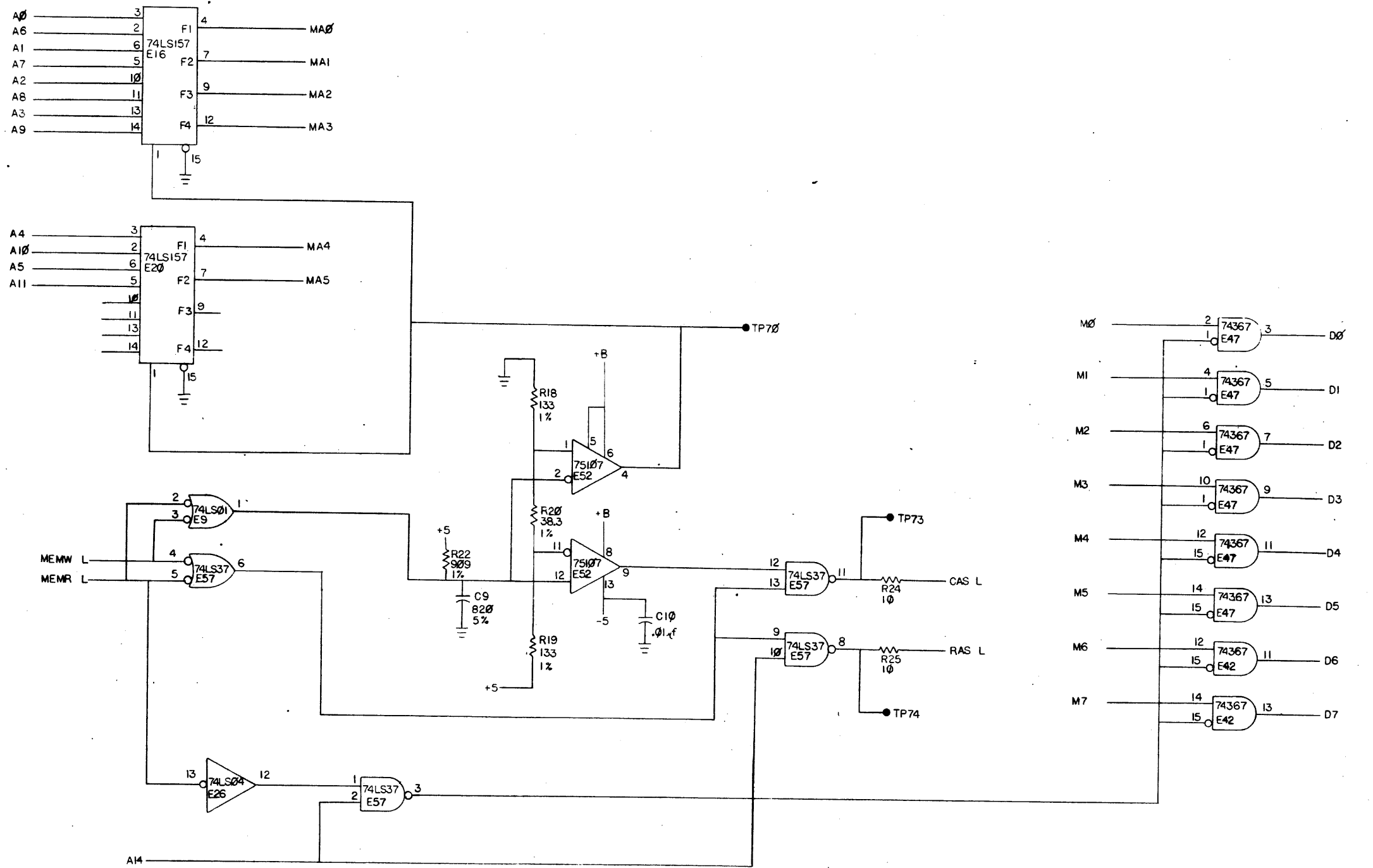
LOGICAL ECHO CONTROL	1-3
HALF DUPLEX	ON
FULL DUPLEX	OFF



REVISIONS		
CHK	CHANGE NO.	REV.

THIS DRAWING AND SPECIFICATIONS, HEREIN, ARE THE PROPERTY OF DIGITAL EQUIPMENT CORPORATION AND SHALL NOT BE REPRODUCED OR COPIED OR USED IN WHOLE OR IN PART AS THE BASIS FOR THE MANUFACTURE OR SALE OF ITEMS WITHOUT WRITTEN PERMISSION. COPYRIGHT © 1976 DIGITAL EQUIPMENT CORPORATION.

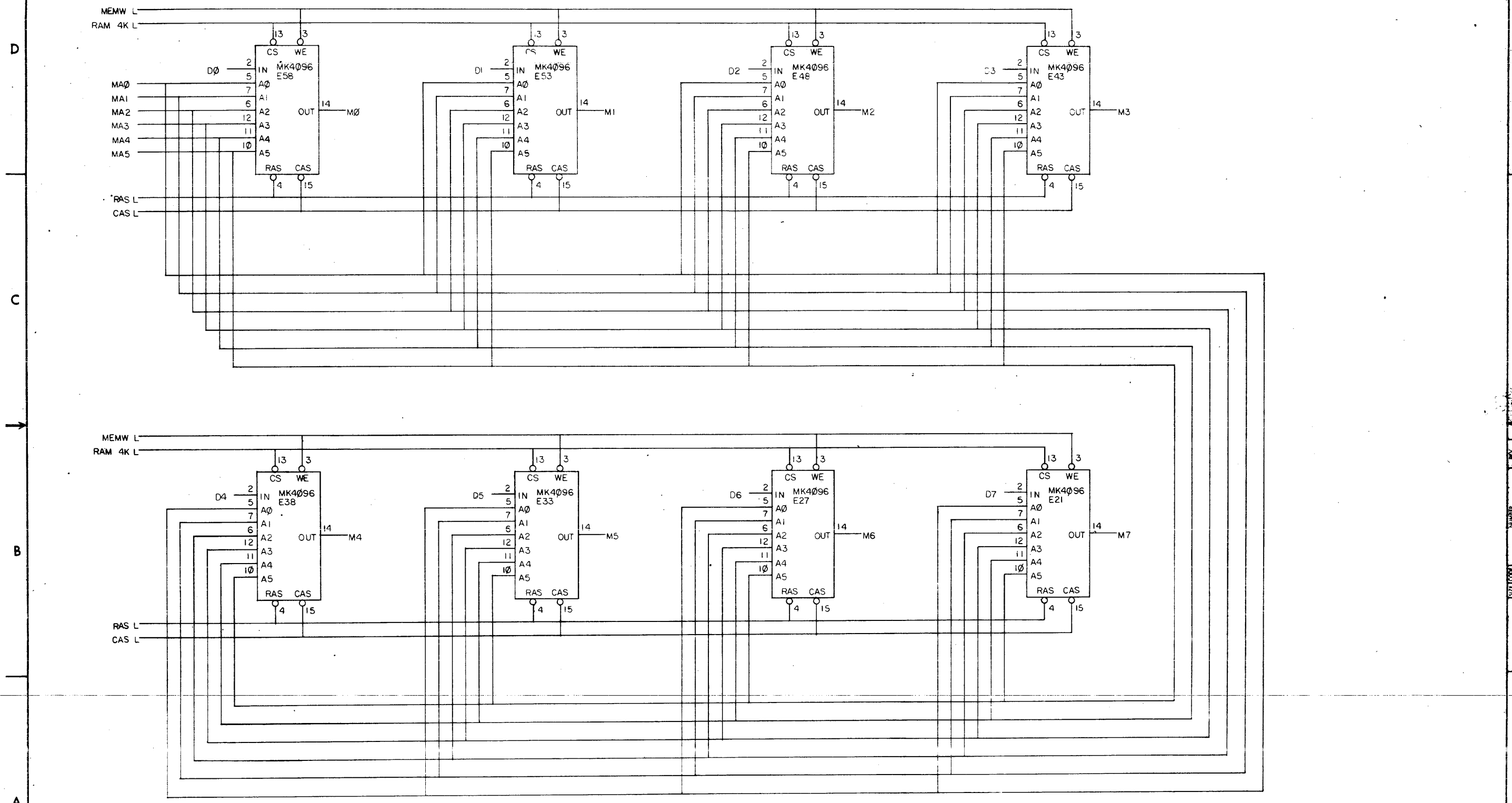
REV. A
 NUMBER 5412563-0-1
 SIZE CODE DCS
 SHEET 2



REVISIONS		
CHK	CHANGE NO.	REV.

TITLE: MODIFIED BSR BOARD
 SIZE CODE: DCS
 NUMBER: 5412563-0-1
 REV. A
 SCALE: 1:1
 SHEET 5 OF 9
 DIST.:

"THIS DRAWING AND SPECIFICATIONS HEREIN ARE THE PROPERTY OF DIGITAL EQUIPMENT CORPORATION AND SHALL NOT BE REPRODUCED OR COPIED OR USED IN WHOLE OR IN PART AS THE BASIS FOR THE MANUFACTURE OR SALE OF ITEMS WITHOUT WRITTEN PERMISSION. COPYRIGHT © 1976 DIGITAL EQUIPMENT CORPORATION"



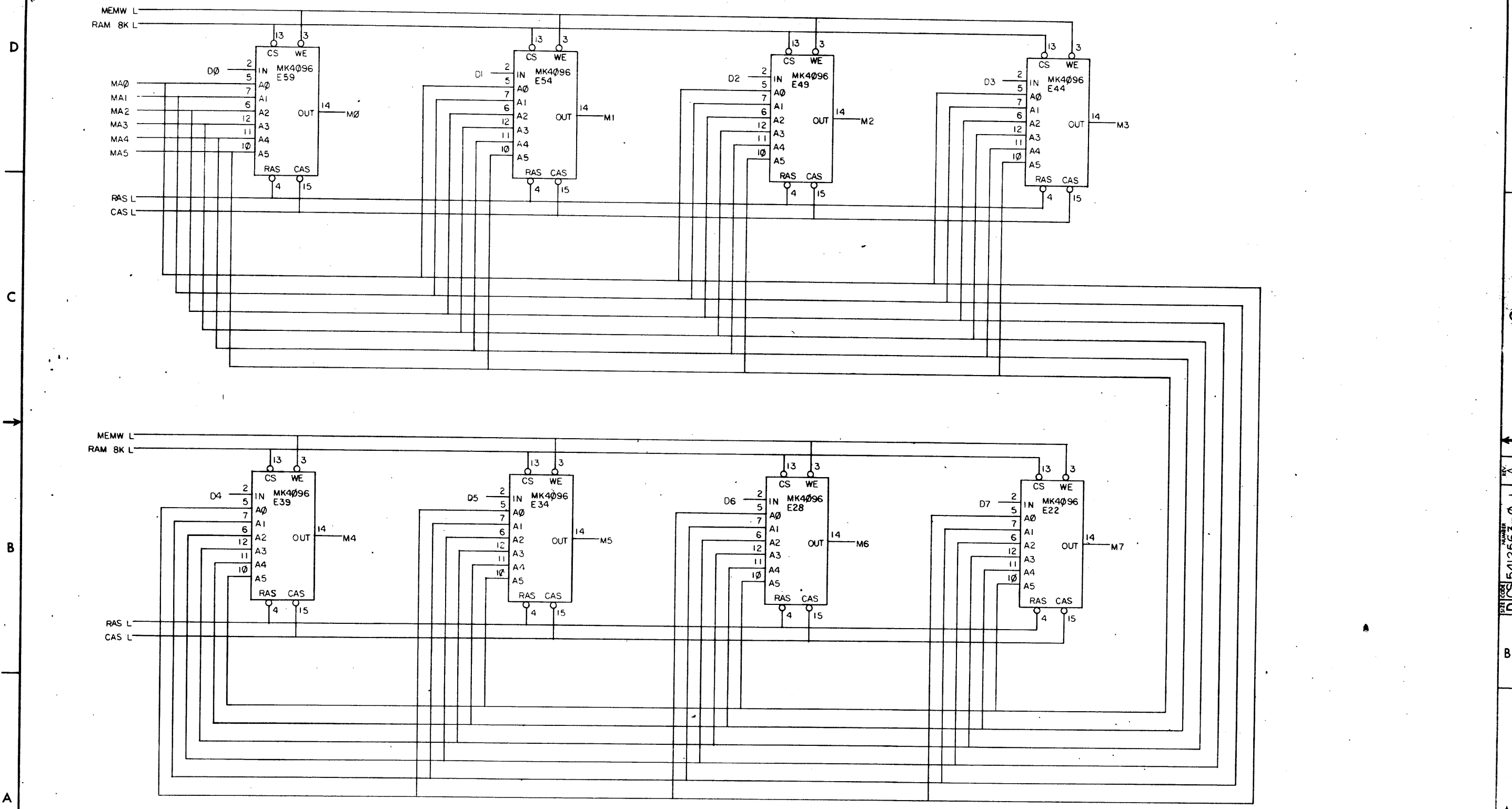
4K MEMORY

REVISIONS		
CHK	CHANGE NO.	REV.

TITLE	SIZE CODE	NUMBER	REV.
MODIFIED BSR BOARD	D CS	5412563-0-1	A
SCALE	SHEET 6 OF 9	DIST.	

"THIS DRAWING AND SPECIFICATIONS, BEING PROPERTY OF DIGITAL EQUIPMENT CORPORATION, AND SHALL NOT BE REPRODUCED OR COPIED OR USED IN WHOLE OR IN PART AS THE BASIS FOR THE MANUFACTURE OR SALE OF ITEMS WITHOUT WRITTEN PERMISSION. COPYRIGHT © 1976 DIGITAL EQUIPMENT CORPORATION"

1-0-1992109 DCS 5412563-0-1 2



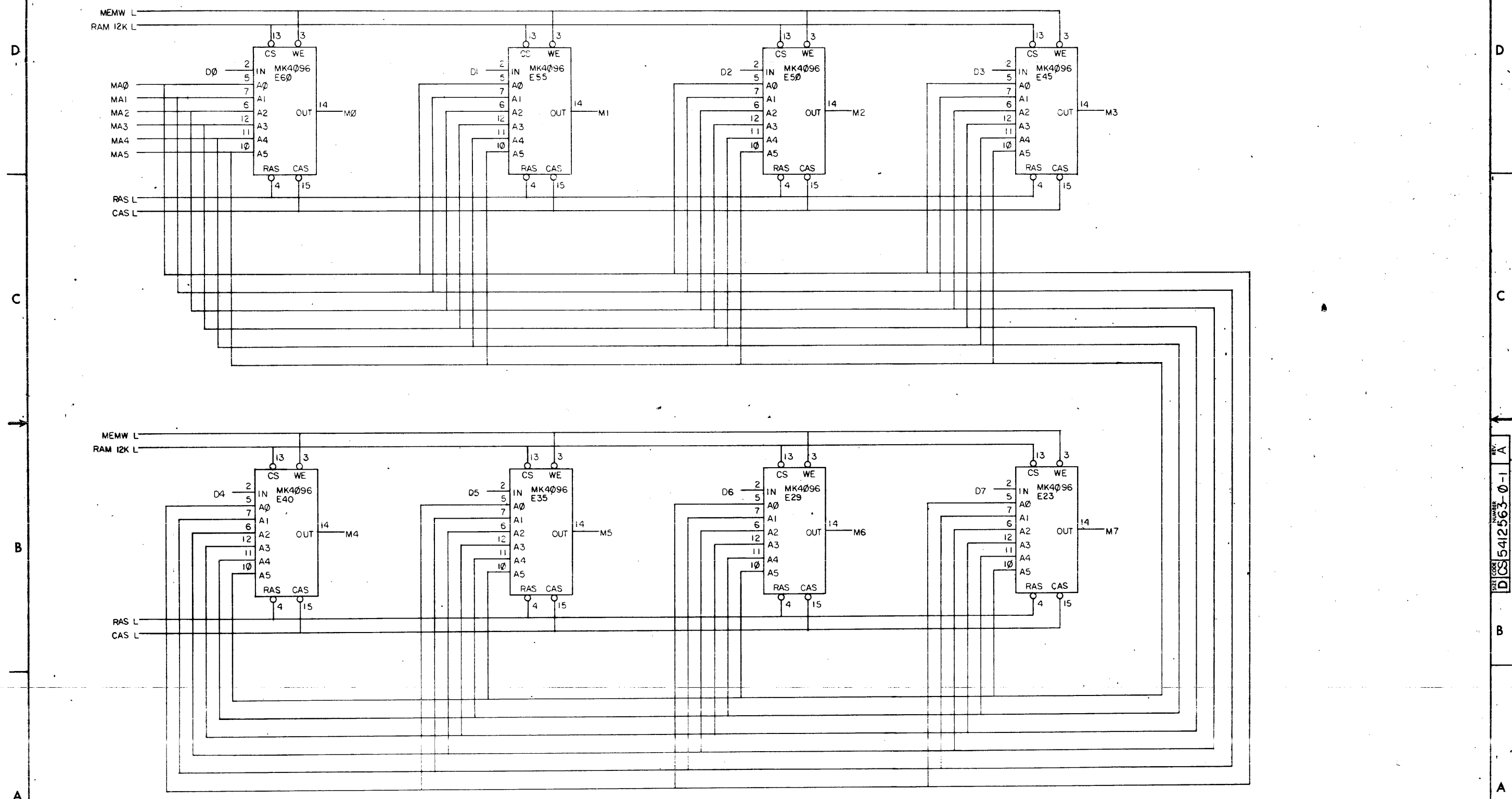
8K MEMORY

REVISIONS		
CHK	CHANGE NO.	REV.

TITLE	SIZE CODE	NUMBER	REV.
MODIFIED BSR BOARD	DCS	5412563-0-1	A
SCALE	SHEET	OF	DIST.
	7	9	

DCS 5412563-0-1 A

"THIS DRAWING AND SPECIFICATIONS, HEREIN, ARE THE PROPERTY OF DIGITAL EQUIPMENT CORPORATION AND SHALL NOT BE REPRODUCED OR COPIED OR USED IN WHOLE OR IN PART AS THE BASIS FOR THE MANUFACTURE OR SALE OF ITEMS WITHOUT WRITTEN PERMISSION. COPYRIGHT © 1976 DIGITAL EQUIPMENT CORPORATION"



12K MEMORY

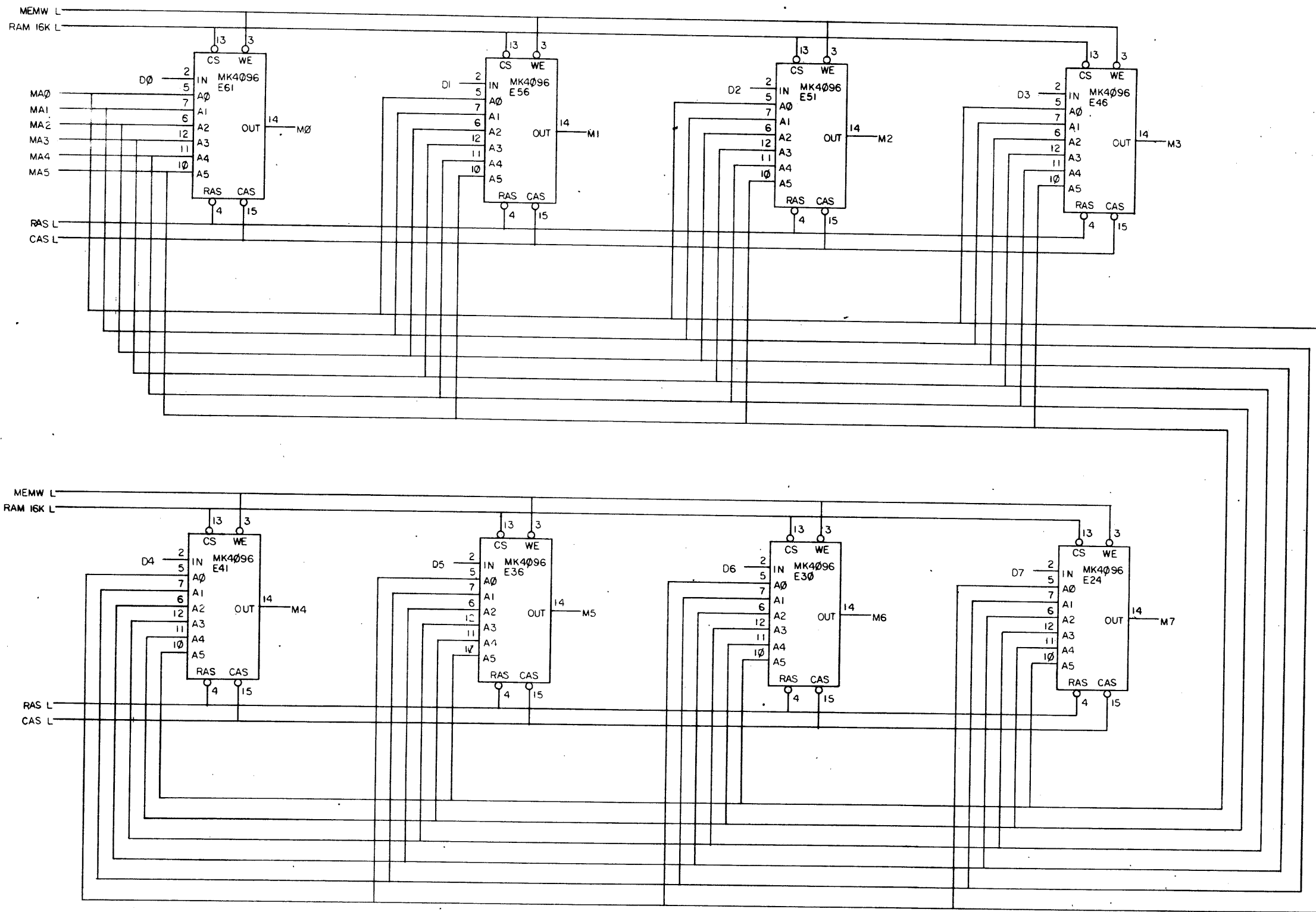
REVISIONS		
CHK	CHANGE NO.	REV.

TITLE	SIZE CODE	NUMBER	REV.
MODIFIED BSR BOARD	D CS	5412563-0-1	A
SCALE	SHEET	OF	DIST.
	8	9	

"THIS DRAWING AND SPECIFICATIONS, HEREIN, ARE PROPERTY OF DIGITAL EQUIPMENT CORPORATION AND SHALL NOT BE REPRODUCED OR COPIED OR USED IN WHOLE OR IN PART AS THE BASIS FOR THE MANUFACTURE OR SALE OF ITEMS WITHOUT WRITTEN PERMISSION. COPYRIGHT © 1976 DIGITAL EQUIPMENT CORPORATION"

REV. A
 NUMBER DCS 5412563-0-1
 SIZE CODE 2

8 7 6 5 4 3 2 1



16K MEMORY

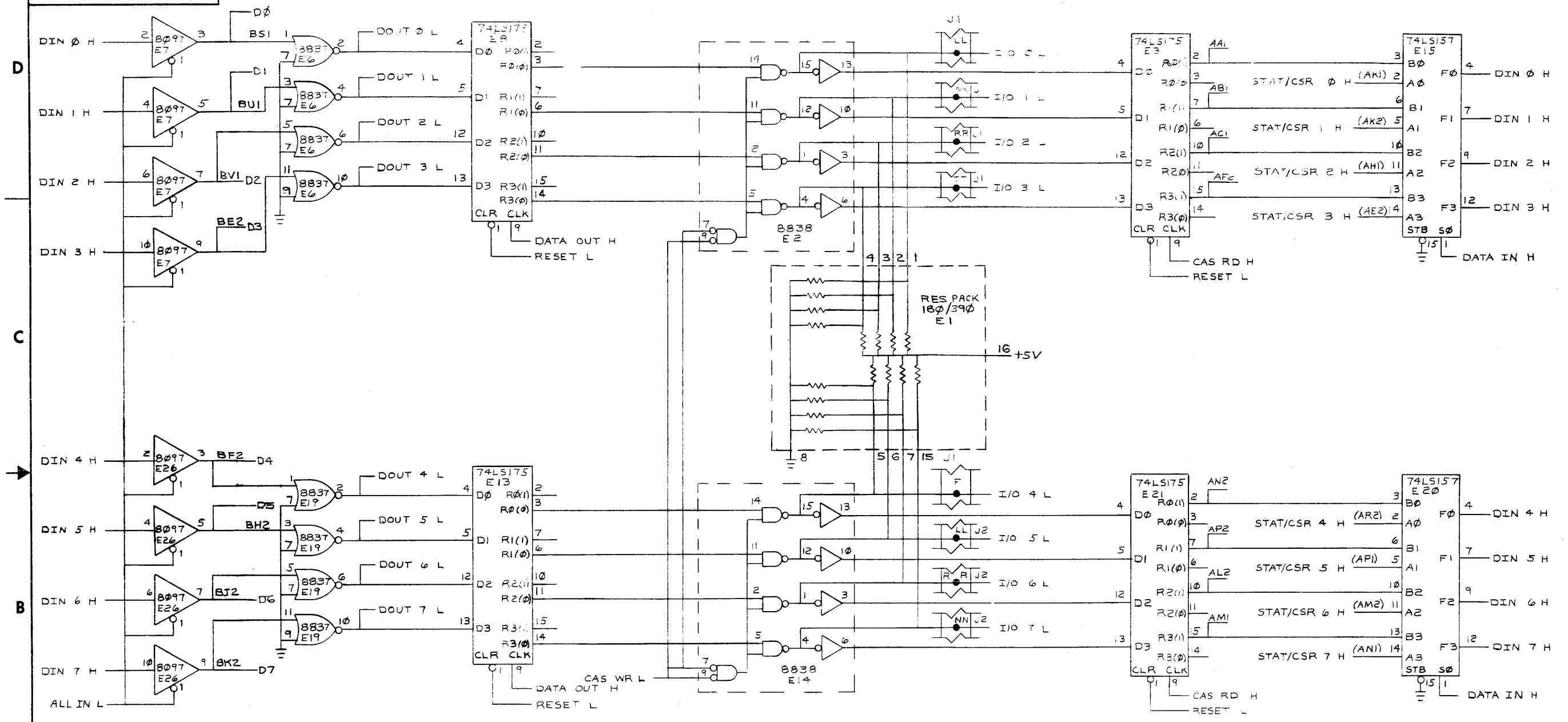
REVISIONS		
CHK	CHANGE NO.	REV.

TITLE	SIZE CODE	NUMBER	REV.
MODIFIED BSR BOARD	DCS	5412563-0-1	A
SCALE	SHEET	OF	
+	9	9	

8 7 6 5 4 3 2 1

REV. A
 NUMBER DCS 5412563-0-1

"THIS DRAWING AND SPECIFICATIONS, HEREIN, ARE THE PROPERTY OF DIGITAL EQUIPMENT CORPORATION AND SHALL NOT BE REPRODUCED OR COPIED OR USED IN WHOLE OR IN PART AS THE BASIS FOR THE MANUFACTURE OR SALE OF ITEMS WITHOUT WRITTEN PERMISSION. COPYRIGHT © 1974 DIGITAL EQUIPMENT CORPORATION"



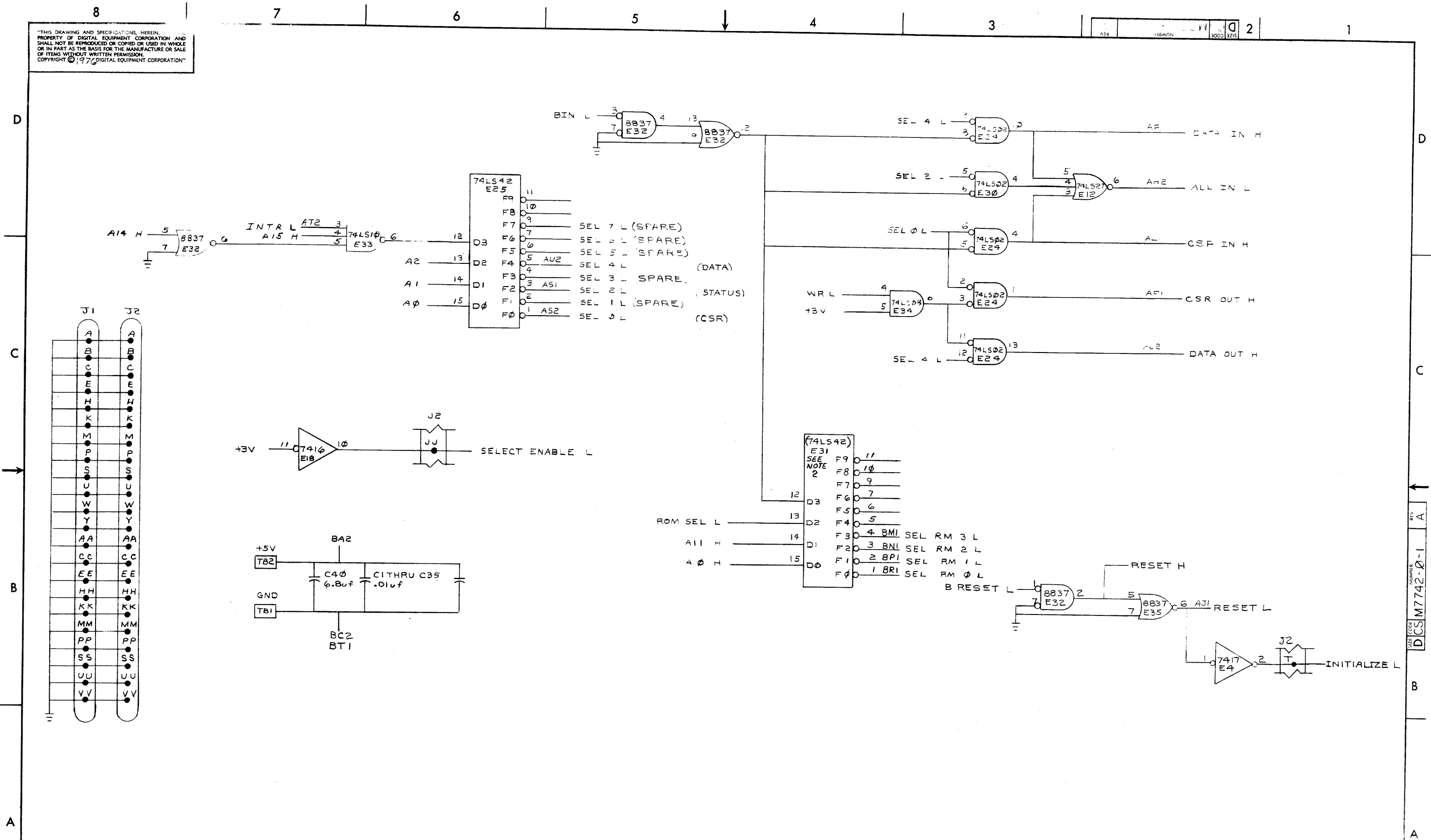
REVISIONS	REV.
CHANGE NO.	
CHK	

TU60-D AND I/O DATA PATHS	
DRN. <i>pasca</i>	FIRST USED ON TA-36
CHK'D <i>...</i>	TITLE TU60-D CASSETTE INTERFACE
ENG. <i>...</i>	PROJECT NUMBER DCS M7742-0-1
PROD. <i>...</i>	REV. A
NEXT HIGHER ASSY.	
SCALE	SHEET OF

REV. A
 NUMBER DCS M7742-0-1
 CODE 3225

"THIS DRAWING AND SPECIFICATIONS HEREIN, PROPERTY OF DIGITAL EQUIPMENT CORPORATION AND SHALL NOT BE REPRODUCED OR COPIED OR USED IN WHOLE OR IN PART AS THE BASIS FOR THE MANUFACTURE OR SALE OF ITEMS WITHOUT WRITTEN PERMISSION. COPYRIGHT © 1972 DIGITAL EQUIPMENT CORPORATION"

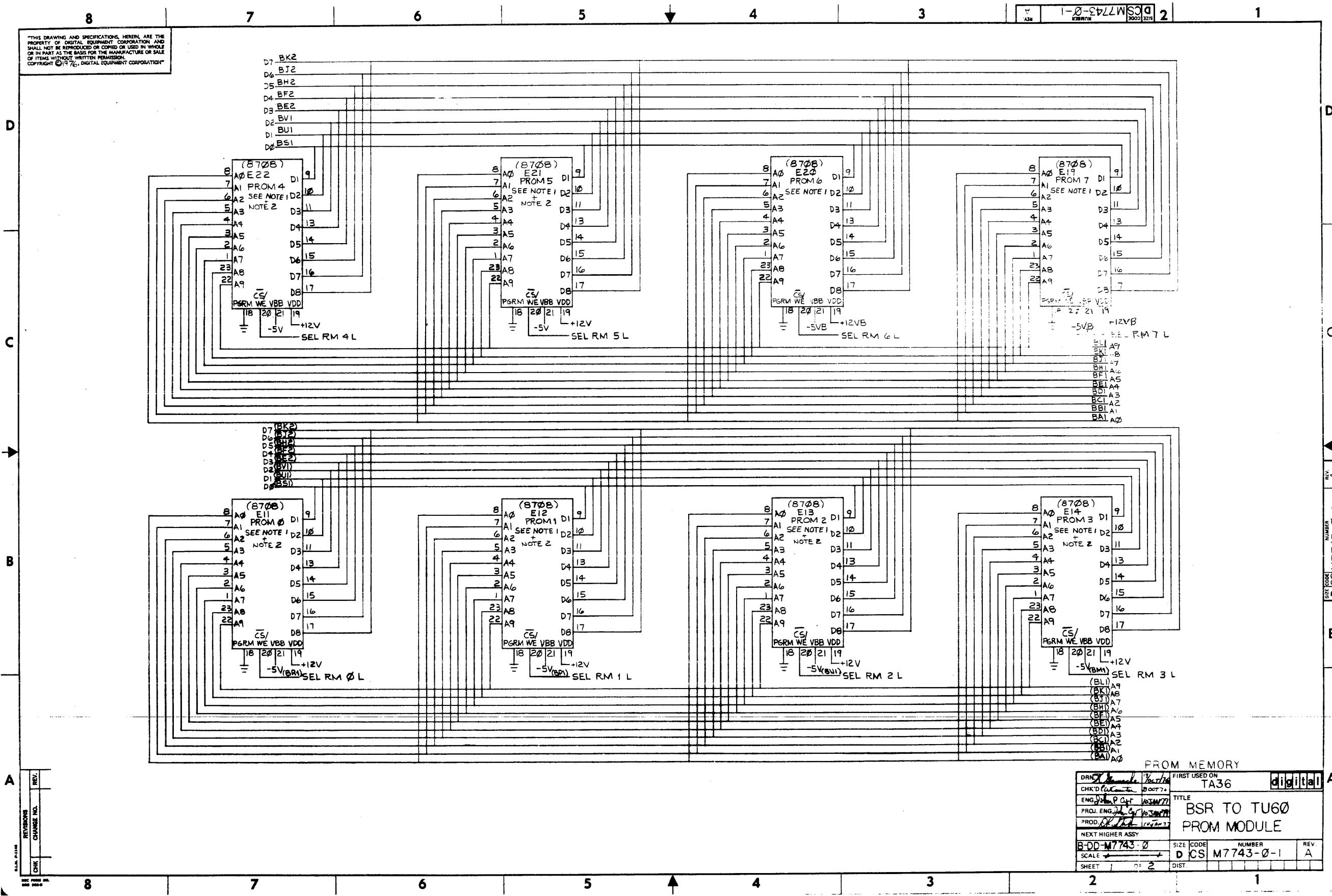
REV. 2



REVISIONS		
CHK	CHANGE NO.	REV.

TITLE		SIZE CODE	NUMBER	REV.
IC 74LS42 SELECT LOGIC		D	CSM742-L-C-1	A
SCALE	SHEET	OF	DIST.	

"THIS DRAWING AND SPECIFICATIONS, HEREIN, ARE THE PROPERTY OF DIGITAL EQUIPMENT CORPORATION AND SHALL NOT BE REPRODUCED OR COPIED OR USED IN WHOLE OR IN PART AS THE BASIS FOR THE MANUFACTURE OR SALE OF ITEMS WITHOUT WRITTEN PERMISSION. COPYRIGHT © 1976, DIGITAL EQUIPMENT CORPORATION"

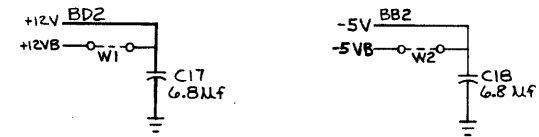
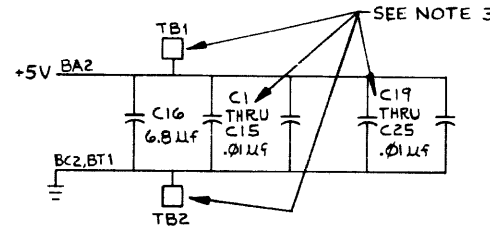
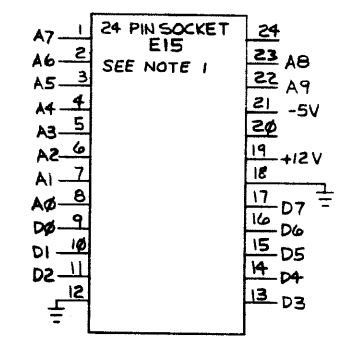
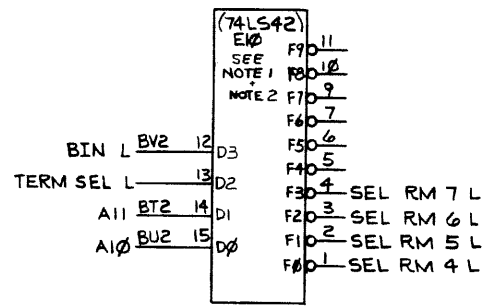
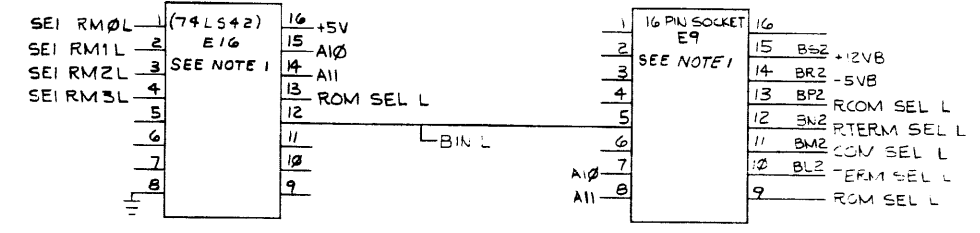
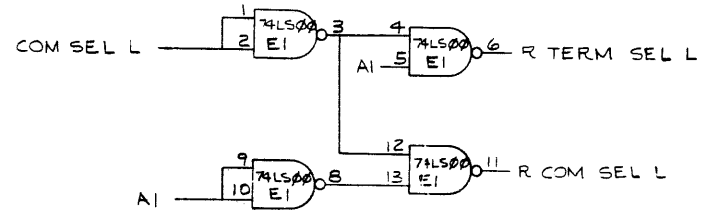
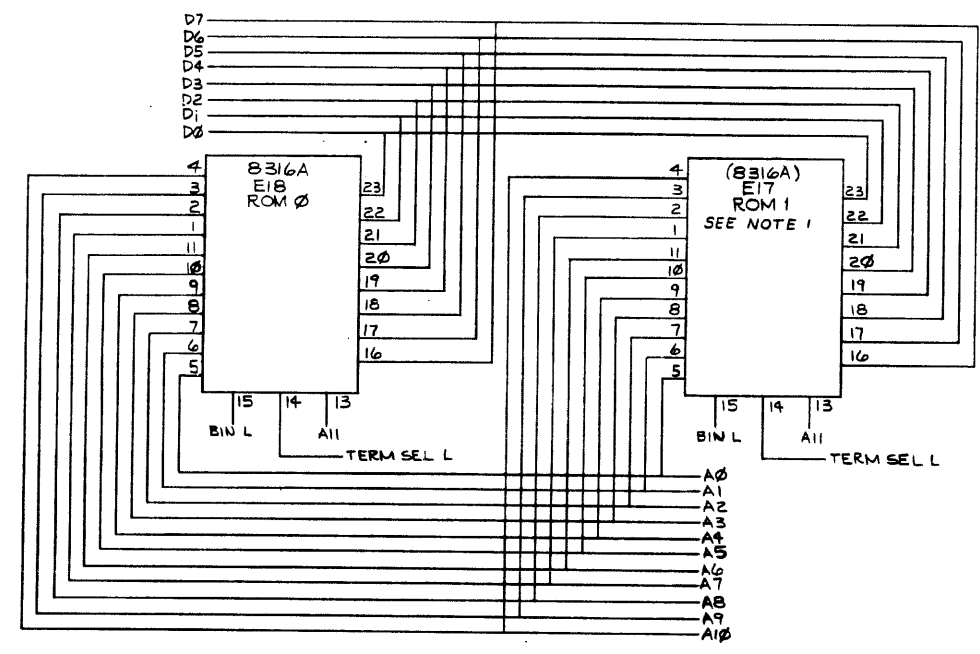


REV.	CHANGE NO.	REVISIONS

DRN: <i>[Signature]</i>	FIRST USED ON: TA36	digital
CHK'D: <i>[Signature]</i>	DATE: 10 OCT 76	
ENG: <i>[Signature]</i>	TITLE: BSR TO TU60 PROM MODULE	
PROD. ENG: <i>[Signature]</i>		
B-DD-M7743-0	SIZE CODE: DCS	NUMBER: M7743-0-1
SCALE: <i>[Symbol]</i>	DIST: <i>[Symbol]</i>	REV: A
SHEET: 2	OF: 2	

"THIS DRAWING AND SPECIFICATIONS, HEREIN, ARE THE PROPERTY OF DIGITAL EQUIPMENT CORPORATION AND SHALL NOT BE REPRODUCED OR COPIED OR USED IN WHOLE OR IN PART AS THE BASIS FOR THE MANUFACTURE OR SALE OF ITEMS WITHOUT WRITTEN PERMISSION. COPYRIGHT © 1976 DIGITAL EQUIPMENT CORPORATION"

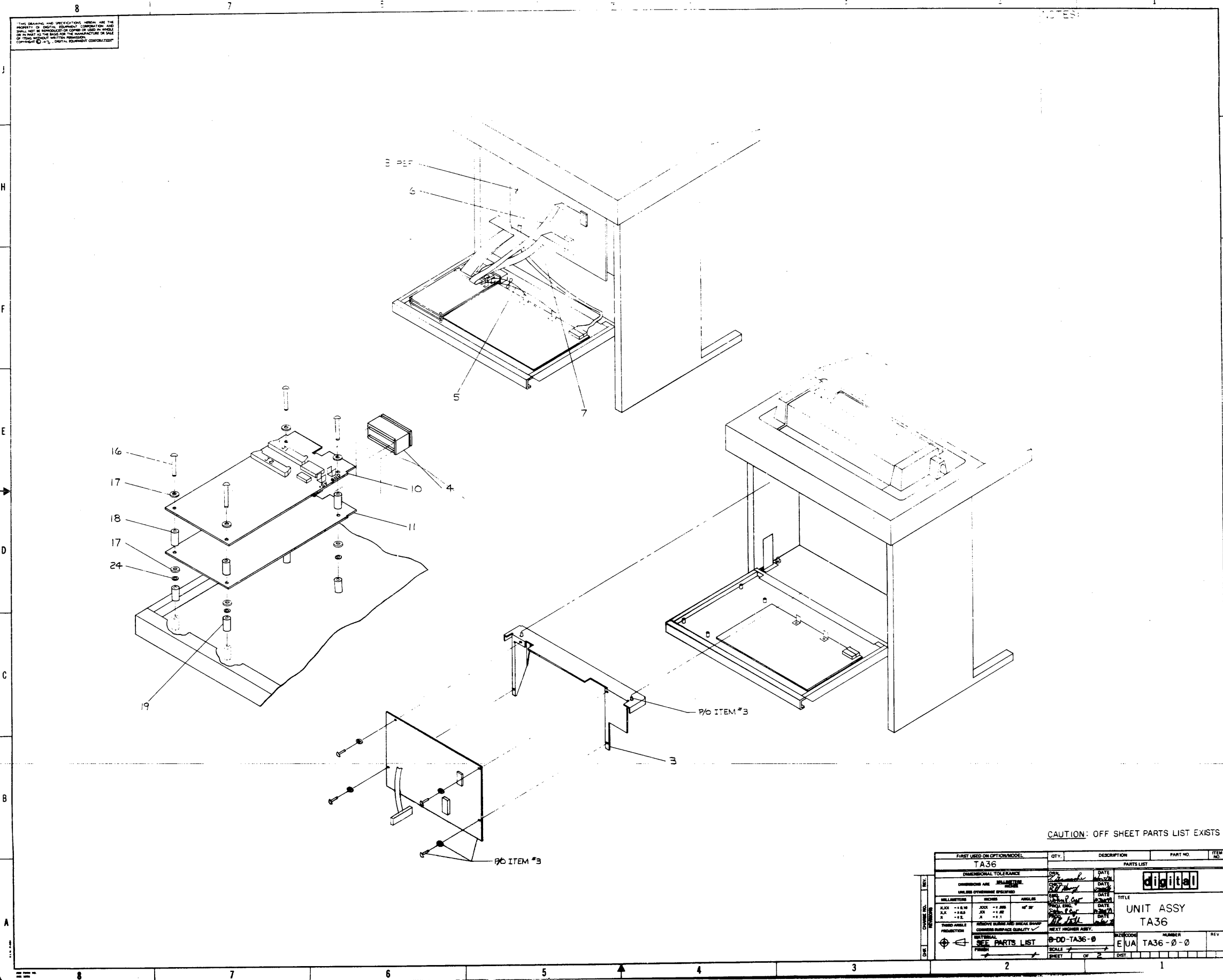
NOTES:
 1. NOT INSTALLED WITH THIS OPTION.
 2. INSTALLED ON PROTOTYPE UNITS ONLY.
 3. REFER TO NOTES ON M7743 PARTS LIST.



REVISIONS		
CHK	CHANGE NO.	REV.

SELECT-INTERCONNECT AND ROM LOGIC
 TITLE BSR TO TU60 PROM MODULE
 SIZE CODE DCS NUMBER M7743-0-1 REV. A
 SCALE SHEET 2 OF 2 DIST.

SIZE CODE NUMBER DCS M7743-0-1

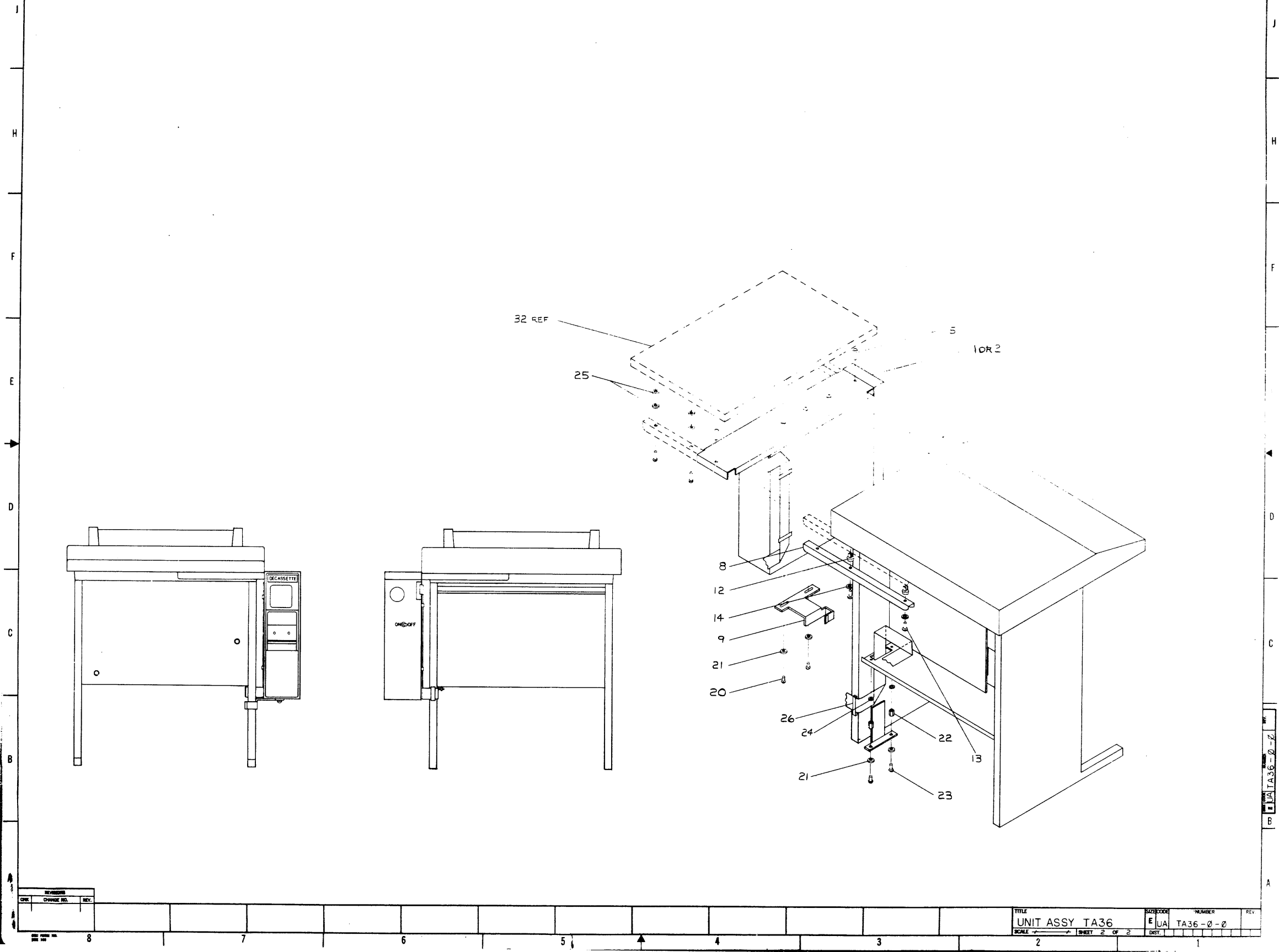


THIS DRAWING AND SPECIFICATIONS HEREBY ARE THE PROPERTY OF DIGITAL EQUIPMENT CORPORATION AND SHALL NOT BE REPRODUCED OR USED IN WHOLE OR IN PART AS THE BASIS FOR THE MANUFACTURE OR SALE OF THIS EQUIPMENT WITHOUT PERMISSION. COPYRIGHT © 1973, DIGITAL EQUIPMENT CORPORATION

CAUTION: OFF SHEET PARTS LIST EXISTS

FIRST USED ON OPTION/MODEL		QTY.	DESCRIPTION	PART NO.	ITEM NO.
TA36					
PARTS LIST					
DIMENSIONAL TOLERANCE		DATE	DATE	digital	
DIMENSIONS ARE IN MILLIMETERS		DATE	DATE		
UNLESS OTHERWISE SPECIFIED		DATE	DATE	UNIT ASSY TA36	
MILLIMETERS		DATE	DATE		
±0.13	±0.25	±0.13	±0.25	E UA TA36-0-0	
±0.25	±0.50	±0.25	±0.50		
HARD SURFACE FINISH		MATERIAL		REVISION	
SEE PARTS LIST		SEE PARTS LIST		SEE PARTS LIST	
FINISH		SCALE		SHEET	
		OF 2		1	

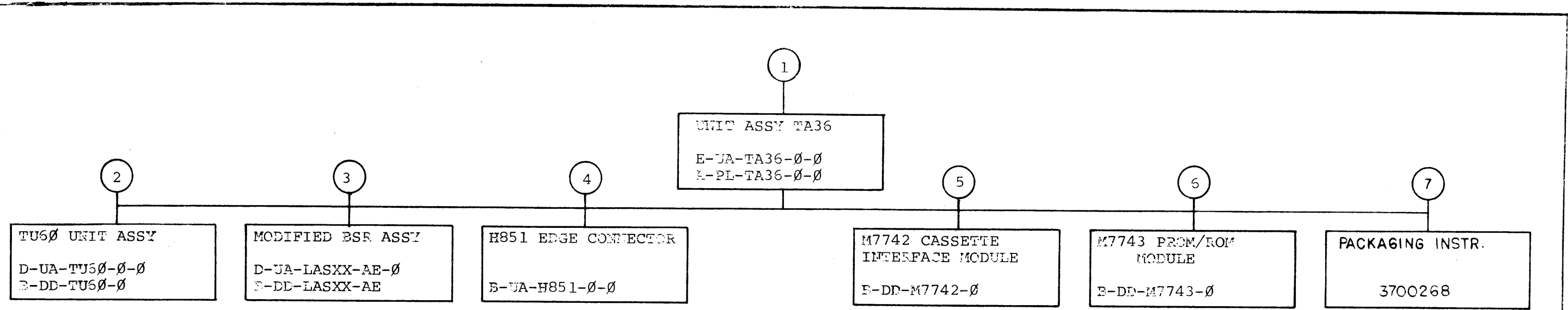
THIS DRAWING AND PROTECTIVE COVER, AND THE CONTENTS THEREOF, ARE THE PROPERTY OF THE UNITED STATES GOVERNMENT AND ARE NOT TO BE REPRODUCED OR TRANSMITTED IN ANY FORM OR BY ANY MEANS, ELECTRONIC OR MECHANICAL, INCLUDING PHOTOCOPYING, RECORDING, OR BY ANY INFORMATION STORAGE AND RETRIEVAL SYSTEM, WITHOUT PERMISSION IN WRITING FROM THE UNITED STATES GOVERNMENT.



REV.	CHANGED BY	DATE

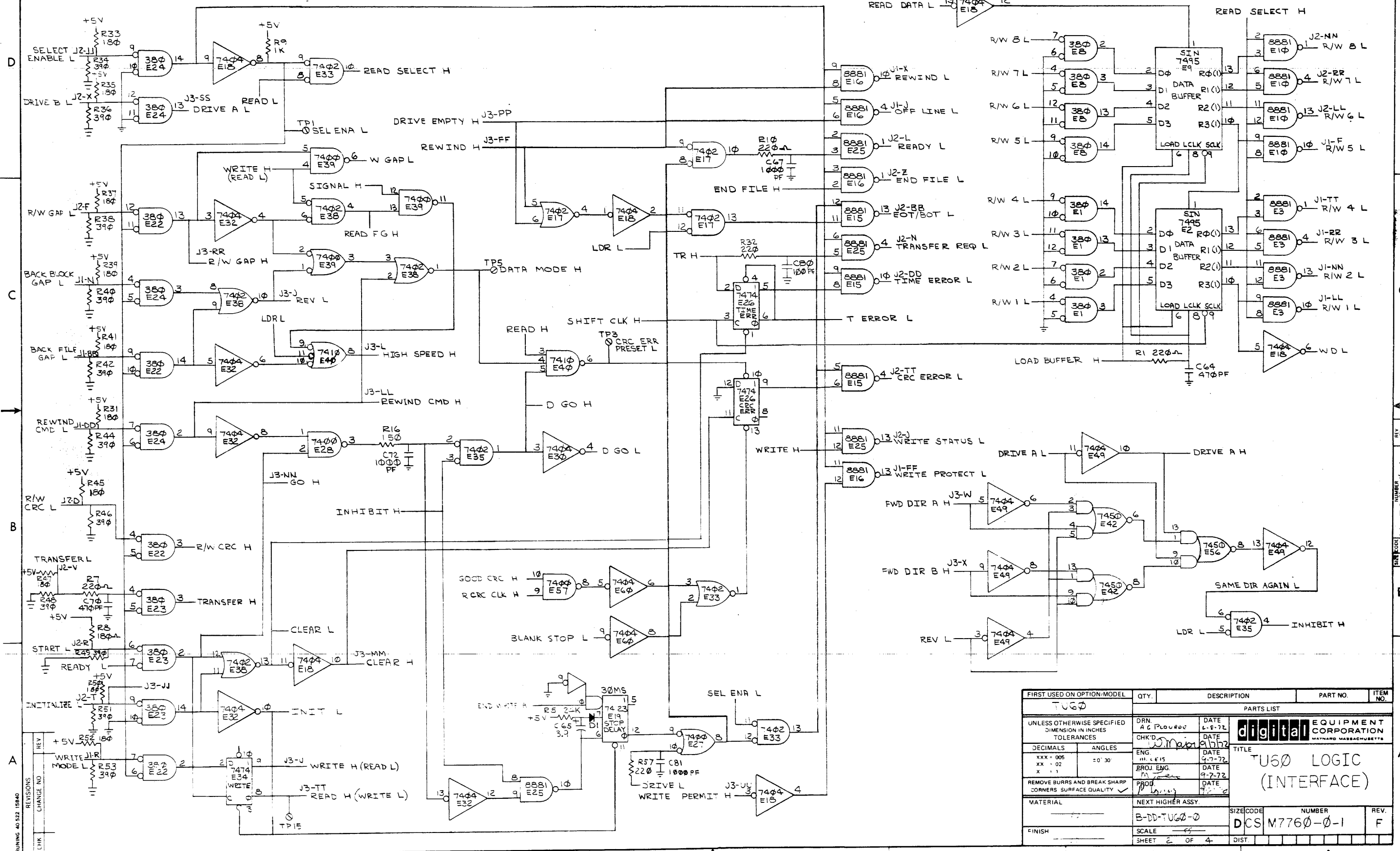
TITLE	UNIT ASSY TA36	SIZE/SCALE	NUMBER	REV.
SCALE	2	SHEET	2 OF 2	DIST.

UNIT ASSY TA36-0-0



TITLE	SHEET	SIZE	CODE	NUMBER	REV
TA36 UNIT ASSY	2 OF 3	B	DT	TA36-0	

This drawing and specifications, herein, are the property of Digital Equipment Corporation and shall not be reproduced or copied or used in whole or in part as the basis for the manufacture or sale of items without written permission.

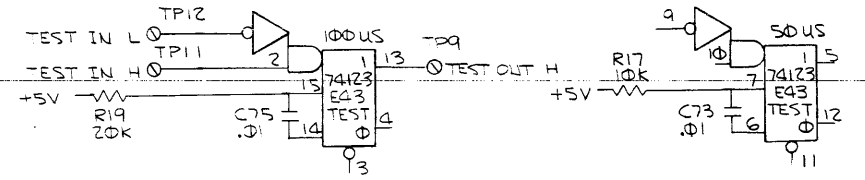
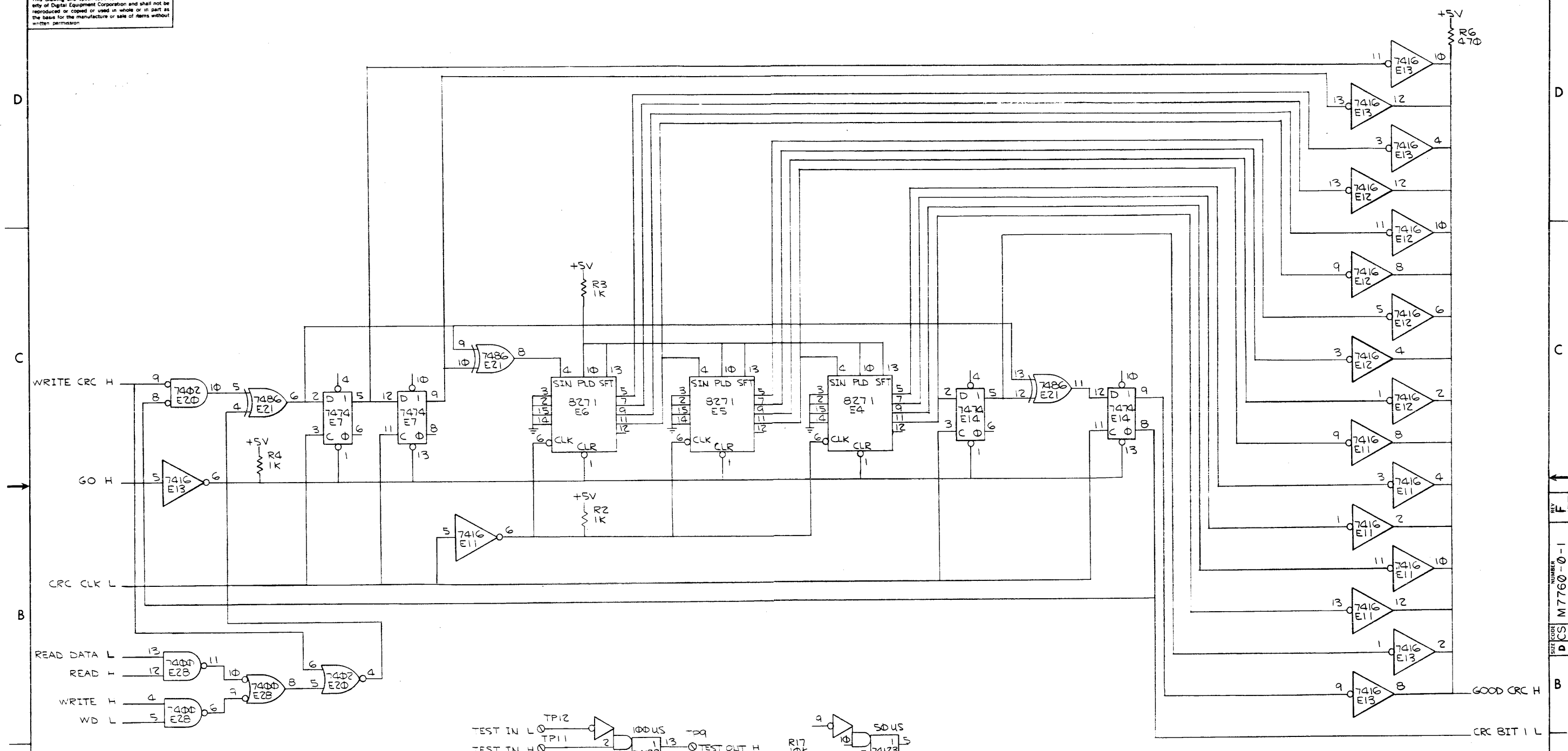


FIRST USED ON OPTION/MODEL	QTY.	DESCRIPTION	PART NO.	ITEM NO.
TUG0				
PARTS LIST				
UNLESS OTHERWISE SPECIFIED DIMENSION IN INCHES TOLERANCES		DRN. A G P L O U R D C	DATE 4-8-72	digital EQUIPMENT CORPORATION MAYNARD, MASSACHUSETTS TITLE TUS0 LOGIC (INTERFACE)
DECIMALS	ANGLES	CHK'D. W. M. P. A. B. H. 2	DATE 4-7-72	
XXX = 0.05	° 30'	ENG. M. L. E. 15	DATE 9-7-72	
XX = 0.2		PROJ. ENG. P. J. P. 2	DATE 9-7-72	
REMOVE BURRS AND BREAK SHARP CORNERS SURFACE QUALITY		PROD. P. J. P. 2	DATE 9-7-72	
MATERIAL	NEXT HIGHER ASSY.	SIZE CODE NUMBER REV.		
FINISH	B-DD-TUG0-0	DCS M7760-0-1 F		
SCALE		SHEET 2 OF 4		
DIST.				

BRUNING 4052 15840
DEC 1970 NC
ORD 102-B

REV. E
DCS M7760-0-1

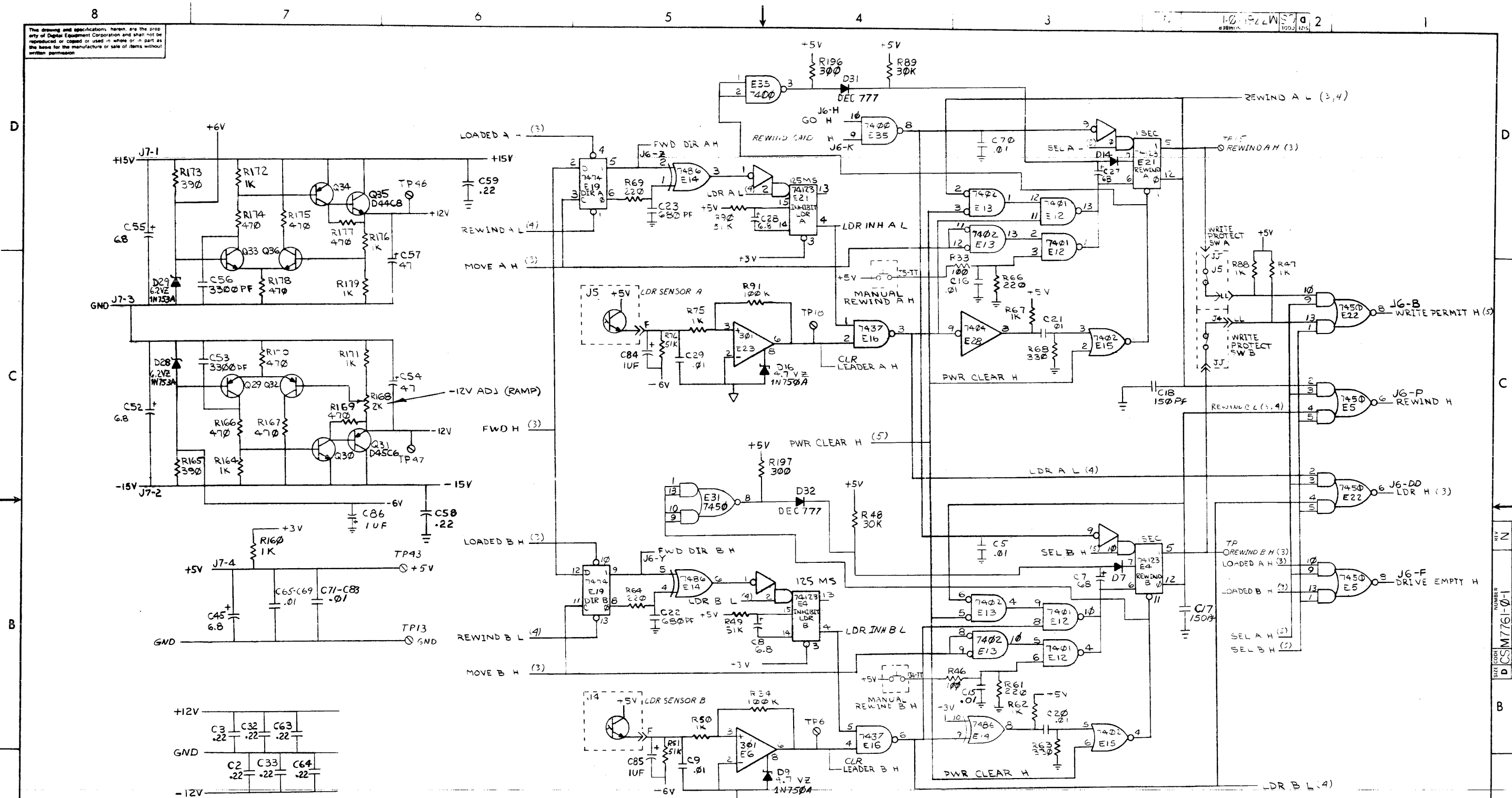
This drawing and specifications, herein, are the property of Digital Equipment Corporation and shall not be reproduced or copied or used in whole or in part as the basis for the manufacture or sale of items without written permission.



REV	CHG	NO

FIRST USED ON OPTION/MODEL	QTY.	DESCRIPTION	PART NO.	ITEM NO.
TU60				
PARTS LIST				
UNLESS OTHERWISE SPECIFIED DIMENSION IN INCHES. TOLERANCES	DRN. <i>Ch. Glavin</i>	DATE 5-14-72	digital EQUIPMENT CORPORATION <small>MATHEWASH, MASSACHUSETTS</small>	
DECIMALS ANGLES	CHK'D. <i>W. M. ...</i>	DATE 8/17/72		
XXX = .005 XX = .02 X = .1	ENG. <i>M. ...</i>	DATE 8/17/72		
REMOVE BURRS AND BREAK SHARP CORNERS SURFACE QUALITY	PROJ. ENG. <i>M. ...</i>	DATE 9/27/72		
MATERIAL	NEXT HIGHER ASSY.	SCALE	SIZE CODE	NUMBER
FINISH	B-DD-TU60-0	SHEET 4 OF 4	DCS	M7760-0-1
				REV. F

The drawing and specifications herein are the property of Digital Equipment Corporation and shall not be reproduced or copied or used in whole or in part as the basis for the manufacture or sale of items without written permission.



+5V — J4-W, X, J5-W, X, J6-S, T, U, V.
 GND — J4-A, C, E, H, K, L, Y, Z, AA, BB, PP, RR.
 J5-A, C, E, H, K, L, Y, Z, AA, BB, PP, RR.
 J6-EE, FF, HH, JJ.

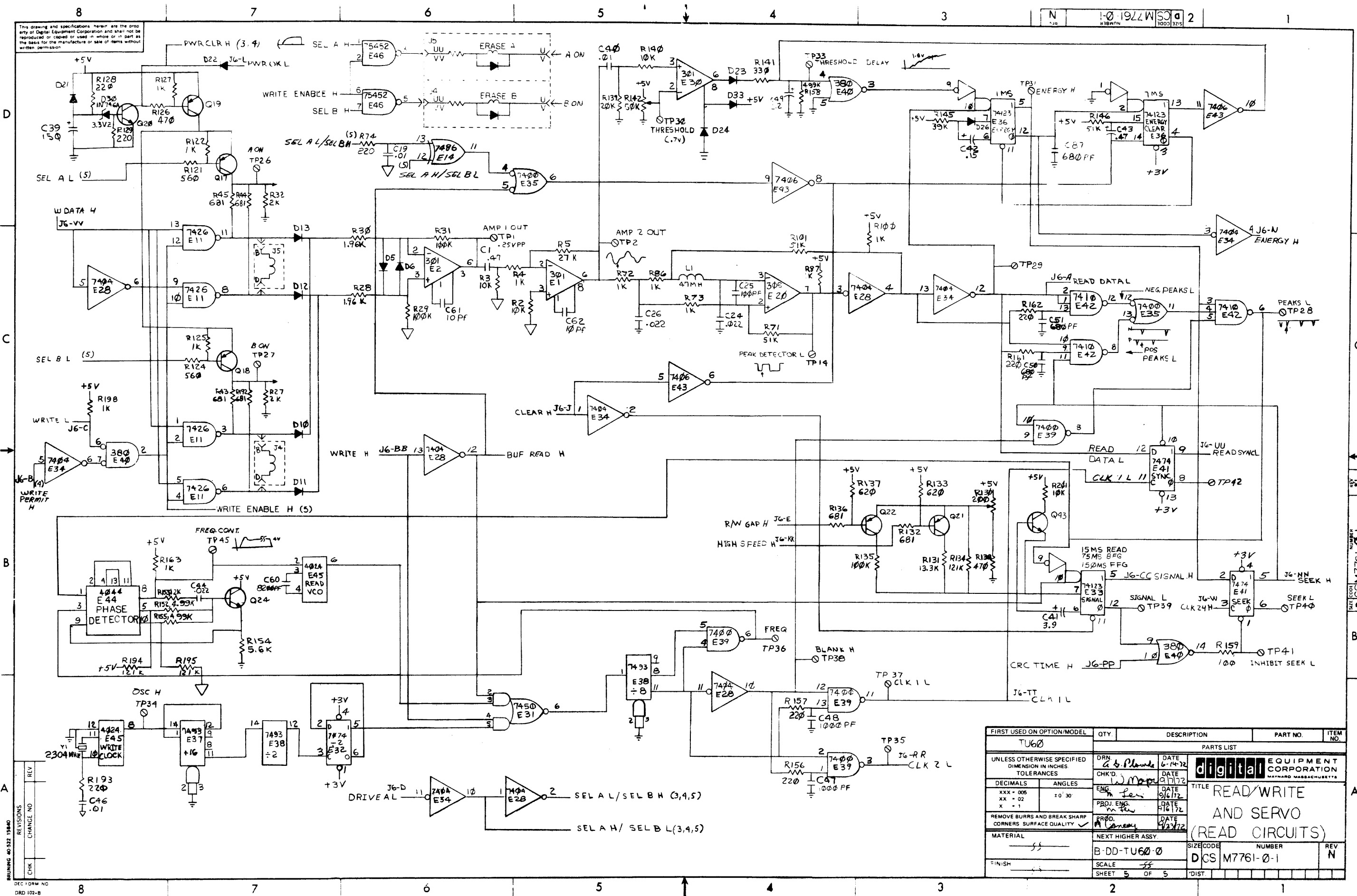
REV	CHG	NO

FIRST USED ON OPTION/MODEL	QTY.	DESCRIPTION	PART NO.	ITEM NO.
T-22				
PARTS LIST				
UNLESS OTHERWISE SPECIFIED DIMENSION IN INCHES TOLERANCES		DRN DATE 9/1/76	digital CORPORATION <small>MAYNARD MASSACHUSETTS</small>	
DECIMALS ANGLES		CHK'D DATE 9/1/76		
XXX = .006 ±0° 30'		ENG DATE 9/1/76		
XX = .02		PROJ. ENG DATE 9/6/76		
X = .1		PROD. DATE 7/27/76	TITLE READ/WRITE AND SERVO (REWIND/REG.)	
REMOVE BURRS AND BREAK SHARP CORNERS SURFACE QUALITY			MATERIAL NEXT HIGHER ASSY.	
FINISH			SCALE SHEET 4 OF 5	
			SIZE CODE D C S M 7761-Q-1	
			NUMBER REV. N	

FORM NO. 100-A

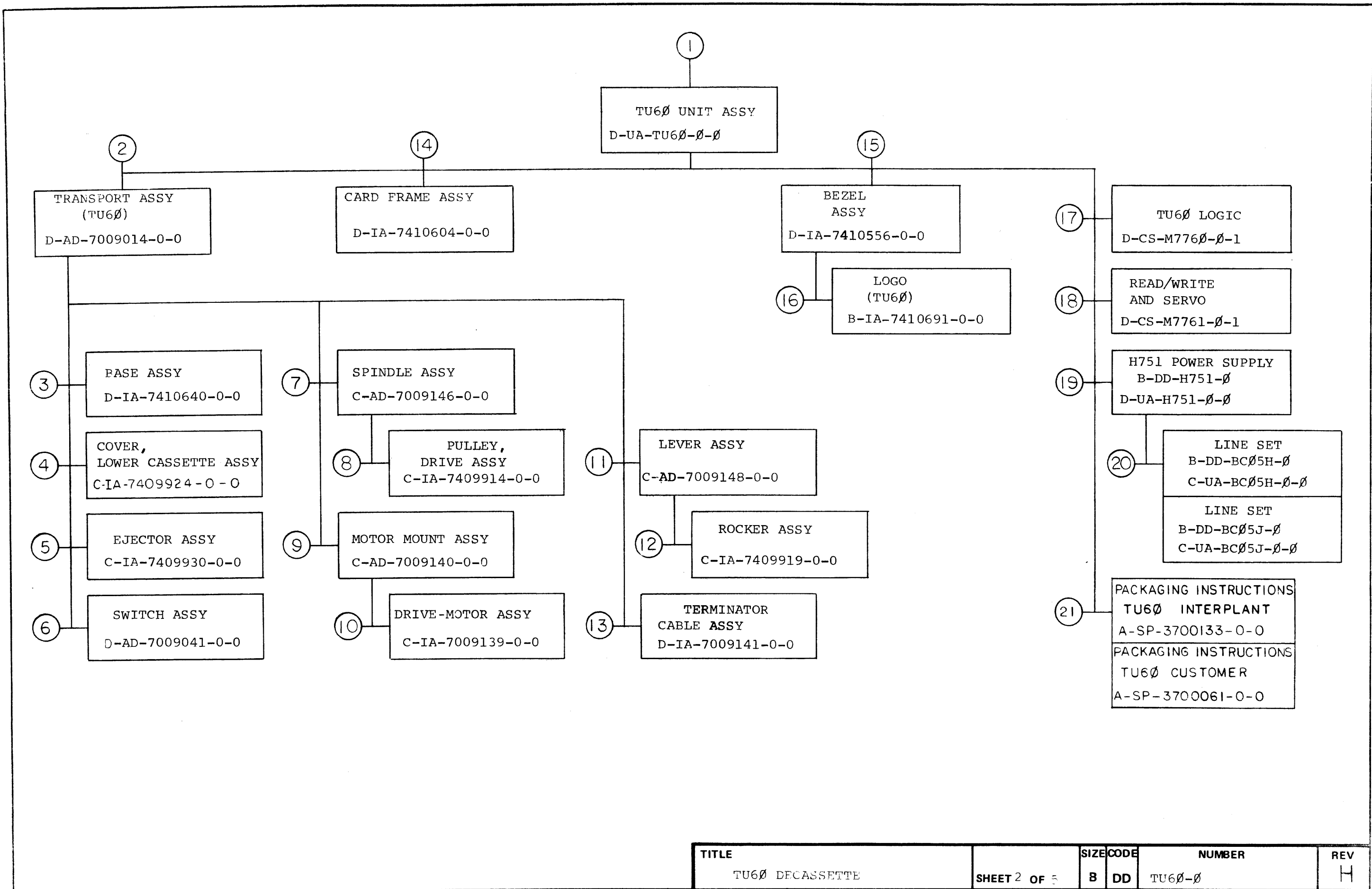
This drawing and specifications herein are the property of Digital Equipment Corporation and shall not be reproduced or copied or used in whole or in part as the basis for the manufacture of any of its parts without written permission.

1-0-1922W SC 2
 10 1922W SC 2
 10 1922W SC 2

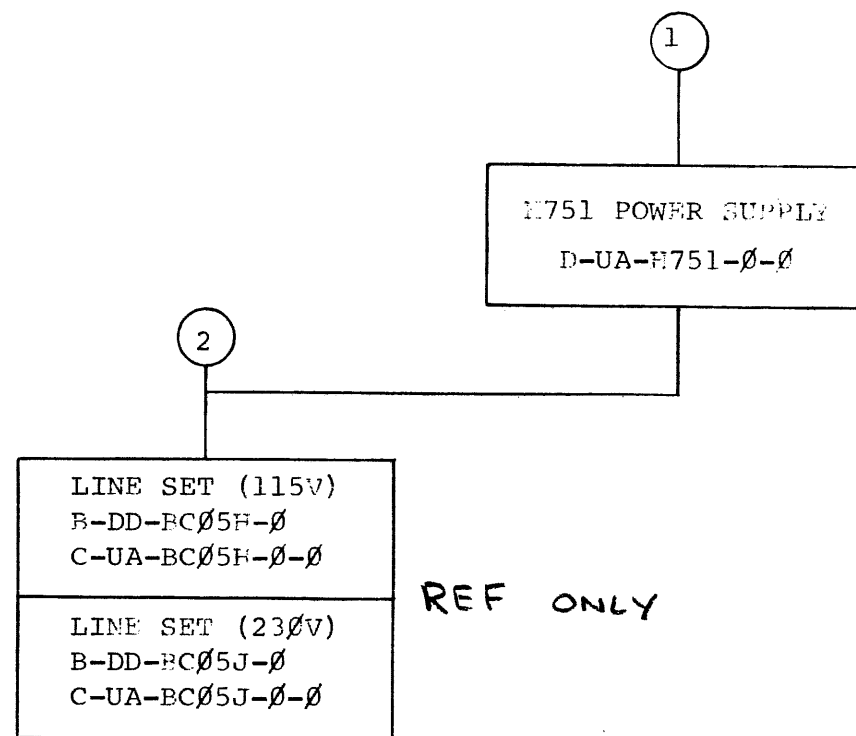


BRUNING 40-222-15840
 DEC FORM NO
 DRD 102-B

FIRST USED ON OPTION/MODEL	QTY.	DESCRIPTION	PART NO.	ITEM NO.																					
TU60																									
UNLESS OTHERWISE SPECIFIED DIMENSION IN INCHES TOLERANCES																									
DECIMALS	ANGLES	PARTS LIST																							
XXX = .005	XX = .02	<table border="1"> <tr> <td>DRN</td> <td>DATE</td> <td rowspan="4"> digital EQUIPMENT CORPORATION MAYNARD MASSACHUSETTS </td> </tr> <tr> <td>CHK'D</td> <td>DATE</td> </tr> <tr> <td>ENG.</td> <td>DATE</td> </tr> <tr> <td>PROJ. ENG.</td> <td>DATE</td> </tr> <tr> <td>REMOVE BURRS AND BREAK SHARP CORNERS SURFACE QUALITY</td> <td></td> <td></td> <td></td> </tr> <tr> <td>MATERIAL</td> <td>NEXT HIGHER ASSY.</td> <td></td> <td></td> </tr> <tr> <td>FINISH</td> <td></td> <td></td> <td></td> </tr> </table>			DRN	DATE	digital EQUIPMENT CORPORATION MAYNARD MASSACHUSETTS	CHK'D	DATE	ENG.	DATE	PROJ. ENG.	DATE	REMOVE BURRS AND BREAK SHARP CORNERS SURFACE QUALITY				MATERIAL	NEXT HIGHER ASSY.			FINISH			
DRN	DATE	digital EQUIPMENT CORPORATION MAYNARD MASSACHUSETTS																							
CHK'D	DATE																								
ENG.	DATE																								
PROJ. ENG.	DATE																								
REMOVE BURRS AND BREAK SHARP CORNERS SURFACE QUALITY																									
MATERIAL	NEXT HIGHER ASSY.																								
FINISH																									
TITLE		READ/WRITE AND SERVO (READ CIRCUITS)																							
SIZE CODE		B-DD-TU60-0																							
SCALE		5																							
SHEET		5 OF 5																							
NUMBER		D CS M7761-0-1																							
REV		N																							



TITLE	SHEET 2 OF 5	SIZE CODE	NUMBER	REV
TU60 DECASSETTE	B DD	TU60-0	H	



TITLE	SHEET 2 OF	SIZE CODE	NUMBER	REV
H751 POWER SUPPLY		B DD	H751-Ø	E

CUSTOMER PRINT SET				ELECTRICAL					CUSTOMER PRINT SET				MECHANICAL						
MFG. SET				FIND NO.	DRAWING NO.	REV	NO OF SHT	DESCRIPTION	OPTION NO./FILE DATE	MFG. SET				FIND NO.	DRAWING NO.	REV	NO OF SHT	DESCRIPTION	OPTION NO./FILE DATE
X				1	D-UA-H751-0-0	E	2	H751 POWER SUPPLY					1	D-UA-H751-0-0	#	2	H751 POWER SUPPLY		
X					A-PL-H751-0-0	E	2	H751 POWER SUPPLY (PL)						A-PL-H751-0-0	#	2	H751 POWER SUPPLY (PL)		
					E-IA-5310191-0-0		1	CHASSIS, POWER SUPPLY						E-IA-5310191-0-0		1	CHASSIS, POWER SUPPLY		
X					D-CS-H751-0-1	B	1	CIRCUIT SCHEMATIC H751											
X					D-CS-5410131-0-1	#	2	CIRCUIT SCHEMATIC											
				2	B-DD-BC05H-0	#	3	LINE SET											
					C-UA-BC05H-0-0		1	LINE SET BC05H (115V)											
					C-UA-BC05J-0-0		1	LINE SET BC05J (230V)											

CUSTOMER PRINT SET CODES

X = PRINT OF DOCUMENT INCLUDED IN PRINT SET
 C = INCLUDES ALL PRINTS INDICATED ON DOCUMENT
 S = CONFIDENTIAL AUTHORIZED SIGNATURE REQUIRED

TITLE

H751 POWER SUPPLY

SHEET 3 OF 3

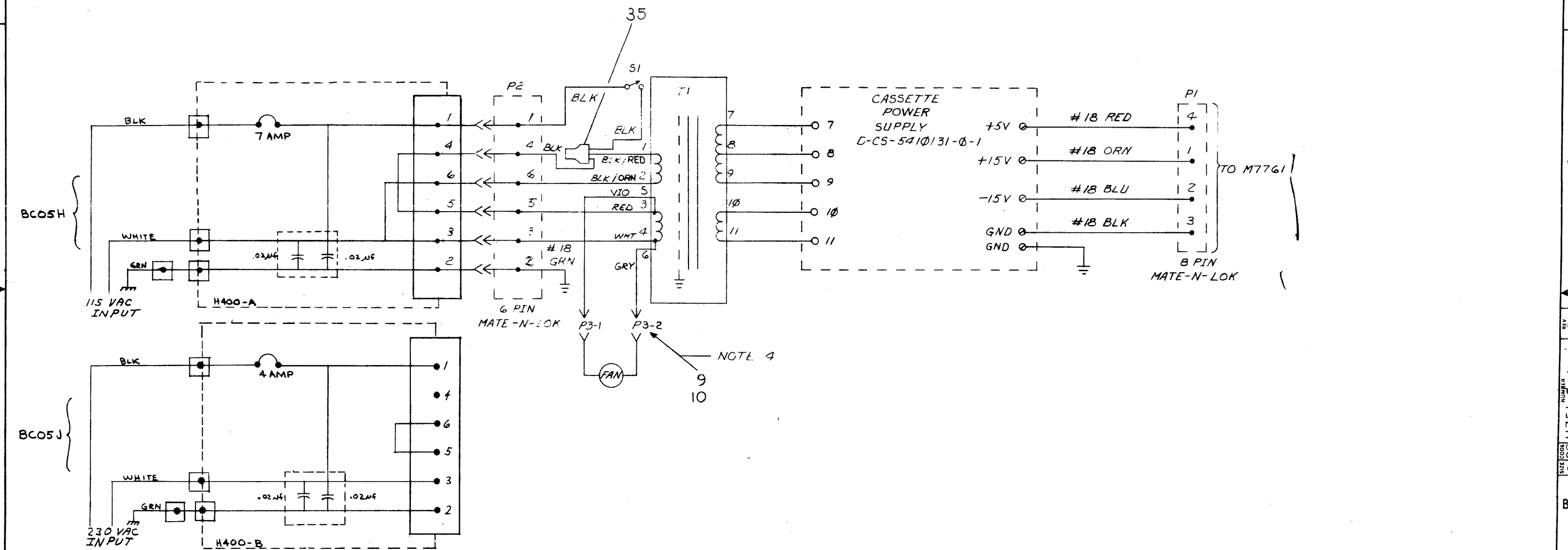
SIZE CODE
 B DD

NUMBER

REV
 E

This drawing and specifications, herein are the property of Digital Equipment Corporation and shall not be reproduced or copied in whole or in part as the basis for the manufacture or sale of items without written permission.

- NOTES:**
1. WIRES NUMBERED 1-11 ARE TRANSFORMER LEADS.
 2. FOR DIAGRAM OF CASSETTE POWER SUPPLY SEE D-CS-5410131-0-1.
 3. @ INDICATES SPLIT LUGS.
 4. P3-1 AND P3-2 ARE FASTABS.



IC TYPE	GND	+ 5V
GND AND 5V ARE USUALLY PIN 7 AND 14 RESPECTIVELY. EXCEPTIONS ARE STATED ABOVE.		
IC PIN LOCATIONS		

FIRST USED ON OPTION MODEL		QTY	REF DESIGNATION	DESCRIPTION	PART NO.	ITEM NO.																				
h751																										
PARTS LIST																										
ETCH BOARD REV																										
<table border="1"> <tr> <th>DRN.</th> <th>DATE</th> <th>CHK'D.</th> <th>DATE</th> <th>ENG.</th> <th>DATE</th> <th>PROJ. ENG.</th> <th>DATE</th> <th>PROD.</th> <th>DATE</th> </tr> <tr> <td></td> <td></td> <td></td> <td></td> <td></td> <td></td> <td></td> <td></td> <td></td> <td></td> </tr> </table>							DRN.	DATE	CHK'D.	DATE	ENG.	DATE	PROJ. ENG.	DATE	PROD.	DATE										
DRN.	DATE	CHK'D.	DATE	ENG.	DATE	PROJ. ENG.	DATE	PROD.	DATE																	
<table border="1"> <tr> <th>DEC NO.</th> <th>EIA NO.</th> <th>DEC NO.</th> <th>EIA NO.</th> </tr> <tr> <td></td> <td></td> <td></td> <td></td> </tr> </table>							DEC NO.	EIA NO.	DEC NO.	EIA NO.																
DEC NO.	EIA NO.	DEC NO.	EIA NO.																							
SEMICONDUCTOR CONVERSION CHART																										
<table border="1"> <tr> <th>SCALE</th> <th>OF</th> <th>DIST.</th> </tr> <tr> <td></td> <td></td> <td></td> </tr> </table>							SCALE	OF	DIST.																	
SCALE	OF	DIST.																								

digital EQUIPMENT CORPORATION
MAYNARD, MASSACHUSETTS

TITLE: **CIRCUIT SCHEMATIC**
4751

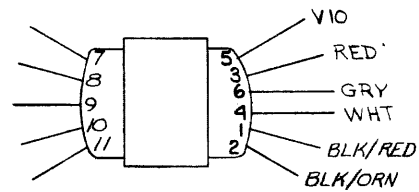
SIZE CODE: H751-Q-1
NUMBER: B
REV. B

SIZE CODE: H751-Q-1
NUMBER: B

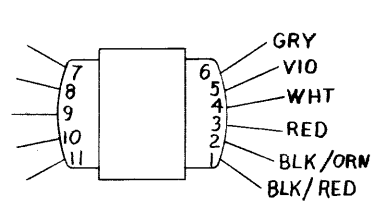
This drawing and specifications herein are the property of Digital Equipment Corporation and shall not be reproduced or copied in whole or in part as the basis for the manufacture or sale of items without written permission 1973

WIRE TABLE

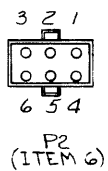
ITEM NO	AWG	COLOR	FROM		TO		REMARKS	LENGTH (IN.)
			CONN	WITH	CONN	WITH		
3	8	BLK	S1-1	—	P2-1	8		DO NOT CUT
5	18	BLK	S1-2	—	—	35	SEE NOTE 4	DO NOT CUT
12	18	BLK/RED	T1-1	—	—	—	—	15
32	18	BLK	P2-4	8	—	—	—	3
12	18	VIO	T1-5	—	P3-1	9,10	—	18
12	18	RED	T1-3	—	P2-5	8	—	18
12	18	WHT	T1-4	—	P2-3	8	—	18
30	18	GRN	P2-2	8	GND	23	SEE DETAIL A	16
12	18	GRY	T1-6	—	P3-2	9,10	—	18
12	18	—	T1-7	40	P4-7	SOLDER	—	1 1/4
12	18	—	T1-8	40	P4-8	SOLDER	—	1 1/4
2	18	—	T1-9	40	P4-9	SOLDER	—	1 1/4
12	18	—	T1-10	40	P4-10	SOLDER	—	1 1/4
12	18	—	T1-11	40	P4-11	SOLDER	—	1 1/4
31	18	RED	P4 - +5V	SOLDER	P1-A	8	—	16
23	18	ORN	P4 - +15V	SOLDER	P1-1	8	—	16
34	18	BLU	P4 - -15V	SOLDER	P1-2	8	—	16
32	18	BLK	P4 - GND	SOLDER	P1-3	8	—	16
12	18	BLK/ORN	T1-2	—	P2-6	8	—	18
2	—	—	BR2-(+)	40	P4-(+)	SOLDER	—	1
2	—	—	BR2-(-)	40	P4-(-)	SOLDER	—	1
2	—	—	BR2-A	40	P4-A	SOLDER	—	1
2	—	—	BR2-B	40	P4-B	SOLDER	—	1
32	18	BLK	P4 - GND	SOLDER	—	23	—	2



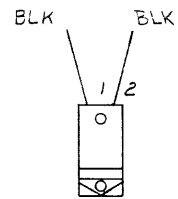
T1 TOP VIEW (ITEM 12)



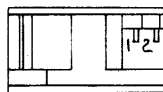
T1 (ALTERNATE VENDOR)



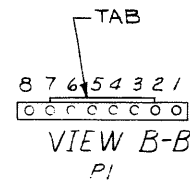
P2 (ITEM 6)



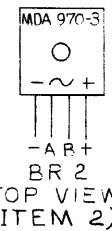
S1 REAR VIEW (ITEM 5)



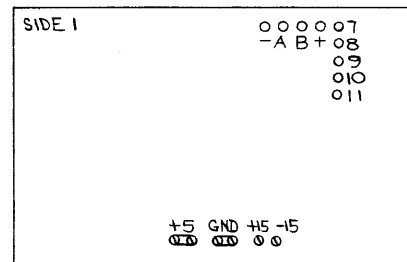
P3 (ITEM 3) TOP VIEW



VIEW B-B P1



MDA 970-3 TOP VIEW (ITEM 2)



P4 (ITEM 28)

FIRST USED ON OPTION/MODEL	QTY.	DESCRIPTION	PART NO.	ITEM NO.
TU6Z				
PARTS LIST				
UNLESS OTHERWISE SPECIFIED DIMENSION IN INCHES. TOLERANCES		DRN <i>[Signature]</i>	DATE 3/26/73	 digital EQUIPMENT CORPORATION <small>MAYNARD MASSACHUSETTS</small>
DECIMALS	ANGLES	CHK'D <i>[Signature]</i>	DATE 3/25/73	
.XXX + .005	± 0° 30'	ENG <i>[Signature]</i>	DATE 11-25-72	
.XX + .02		PROJ. ENG.	DATE 1/1/73	
REMOVE BURRS AND BREAK SHARP CORNERS SURFACE QUALITY ✓		PROD.	DATE 10/26/72	
MATERIAL	NEXT HIGHER ASSY.	H751 POWER SUPPLY		
FINISH	SCALE NONE			
		SIZE CODE B-DF 175 7	NUMBER DUA H751-2-0	REV. E
		SHEET 2 OF 2	DIST. G	

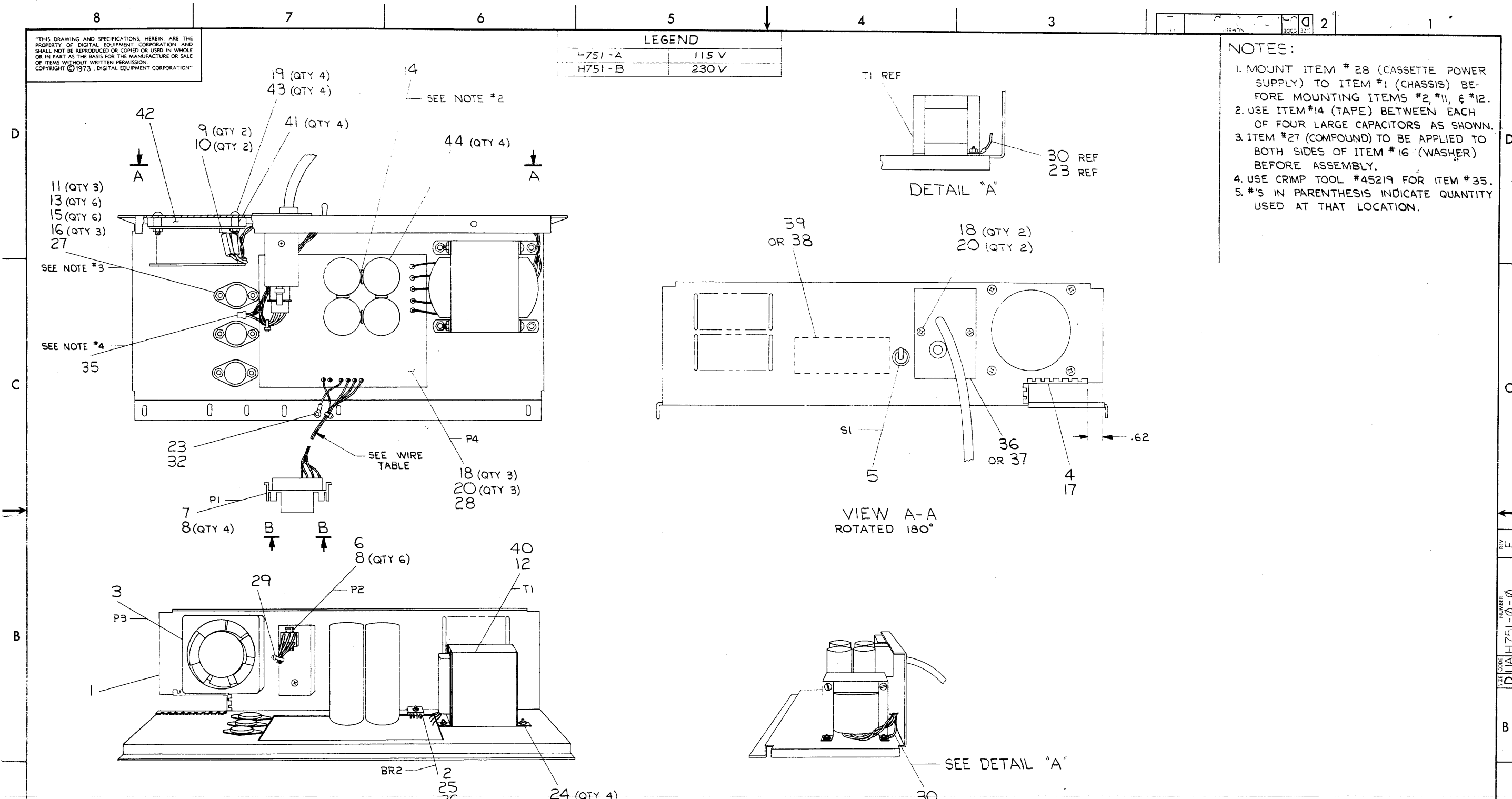
BRUNING 40-107 1598B
 DEC FORM NO. DRP 100-A
 REVISIONS
 CHANGE NO.
 REV.

"THIS DRAWING AND SPECIFICATIONS HEREIN ARE THE PROPERTY OF DIGITAL EQUIPMENT CORPORATION AND SHALL NOT BE REPRODUCED OR COPIED OR USED IN WHOLE OR IN PART AS THE BASIS FOR THE MANUFACTURE OR SALE OF ITEMS WITHOUT WRITTEN PERMISSION. COPYRIGHT © 1973, DIGITAL EQUIPMENT CORPORATION"

LEGEND	
H751-A	115 V
H751-B	230 V

NOTES:

1. MOUNT ITEM # 28 (CASSETTE POWER SUPPLY) TO ITEM #1 (CHASSIS) BEFORE MOUNTING ITEMS #2, #11, & #12.
2. USE ITEM #14 (TAPE) BETWEEN EACH OF FOUR LARGE CAPACITORS AS SHOWN.
3. ITEM #27 (COMPOUND) TO BE APPLIED TO BOTH SIDES OF ITEM #16 (WASHER) BEFORE ASSEMBLY.
4. USE CRIMP TOOL #45219 FOR ITEM #35.
5. #'S IN PARENTHESIS INDICATE QUANTITY USED AT THAT LOCATION.



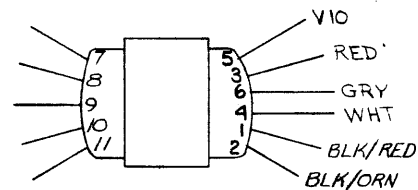
FIRST USED ON OPTION/MODEL	QTY.	DESCRIPTION	PART NO.	ITEM NO.
TJ6Z				
PARTS LIST				
UNLESS OTHERWISE SPECIFIED DIMENSION IN INCHES	DRN. F. CARBERRY	DATE 9-25-72	digital EQUIPMENT CORPORATION MAYNARD, MASSACHUSETTS	
TOLERANCES	CHK'D. B. MAJOR	DATE 10-25-72		
DECIMALS ANGLES	ENG. LARRY NARH	DATE 10-25-72	TITLE H751 POWER SUPPLY	
.xxx = .005 .xx = .02 .x = .1	PROJ. ENG. M. LEIS	DATE 10-25-72		
REMOVE BURRS AND BREAK SHARP CORNERS SURFACE QUALITY 1	PROD. B. GREGORIC	DATE 10-26-72		
MATERIAL	NEXT HIGHER ASSY.	SIZE CODE	NUMBER	REV.
	B-DD-H751-Z	DUA	H751-0-0	E
FINISH	SCALE NONE	SHEET	OF 2	DIST.

REV.	CHANGE NO.	BY	DATE
D	H751-00004		
	REVISED & REDRAWN		
	BY THELLEN		
	BY LEIS		
	H751-00003		
	BY LEIS		

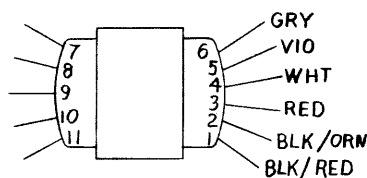
DUA H751-0-0
 NUMBER
 SHEET 1 OF 2

This drawing and specifications herein are the property of Digital Equipment Corporation and shall not be reproduced or copied or used in whole or in part as the basis for the manufacture or sale of items without written permission 1973

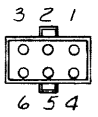
ITEM NO	ANG	COLOR	FROM		TO		REMARKS	LENGTH (IN.)
			CONN	WITH	CONN	WITH		
3	8	BLK	S1-1	—	P2-1	8	DO NOT CUT	15
5	18	BLK	S1-2	—	—	35	SEE NOTE 4	DO NOT CUT
12	18	BLK/RED	T1-1	—	—	—	—	15
32	18	BLK	P2-4	8	—	—	—	3
12	18	VIO	T1-5	—	P3-1	9,10	—	18
12	18	RED	T1-3	—	P2-5	8	—	18
12	18	WHT	T1-4	—	P2-3	8	—	18
30	18	GRN	P2-2	8	GND	23	SEE DETAIL A	16
12	18	GRY	T1-6	—	P3-2	9,10	—	18
12	18	—	T1-7	40	P4-7	SOLDER	—	1 1/4
12	18	—	T1-8	40	P4-8	SOLDER	—	1 1/4
12	18	—	T1-9	40	P4-9	SOLDER	—	1 1/4
12	18	—	T1-10	40	P4-10	SOLDER	—	1 1/4
12	18	—	T1-11	40	P4-11	SOLDER	—	1 1/4
31	18	RED	P4 - +5V	SOLDER	P1-4	8	—	16
23	18	ORN	P4 - +15V	SOLDER	P1-1	8	—	16
34	18	BLU	P4 - -15V	SOLDER	P1-2	8	—	16
32	18	BLK	P4 - GND	SOLDER	P1-3	8	—	16
12	18	BLK/ORN	T1-2	—	P2-6	8	—	18
2	—	—	BR2-(+)	40	P4-(+)	SOLDER	—	1
2	—	—	BR2-(-)	40	P4-(-)	SOLDER	—	1
2	—	—	BR2-A	40	P4-A	SOLDER	—	1
2	—	—	BR2-B	40	P4-B	SOLDER	—	1
32	18	BLK	P4 - GND	SOLDER	—	23	—	2



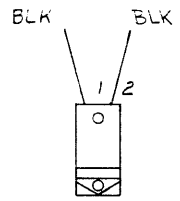
T1 TOP VIEW (ITEM 12)



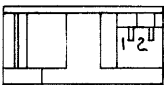
T1 (ALTERNATE VENDOR)



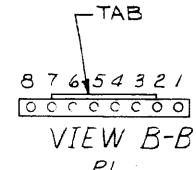
P2 (ITEM 6)



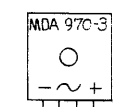
S1 REAR VIEW (ITEM 5)



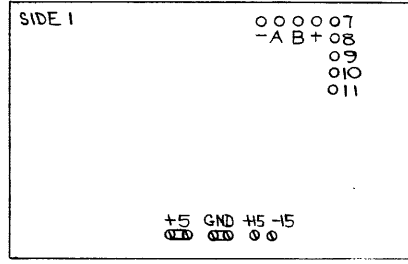
P3 (ITEM 3) TOP VIEW



VIEW B-B P1



TOP VIEW (ITEM 2)



P4 (ITEM 28)

FIRST USED ON OPTION/MODEL	QTY.	DESCRIPTION	PART NO.	ITEM NO.
TU6Z				
PARTS LIST				
UNLESS OTHERWISE SPECIFIED DIMENSION IN INCHES. TOLERANCES	DRN DATE 9/26/73	DATE 10/25/73	digital EQUIPMENT CORPORATION MAYNARD MASSACHUSETTS TITLE H751 POWER SUPPLY	
DECIMALS .XXX = .005 .XX = .02 .X = .1	CHK'D DATE 10/25/73	DATE 10/25/73		
ANGLES ±0° 30'	ENG. DATE 10/25/73	DATE 10/25/73		
REMOVE BURRS AND BREAK SHARP CORNERS SURFACE QUALITY ✓	PROJ. ENG. DATE 10/25/73	DATE 10/25/73		
MATERIAL	PROD. DATE 10/26/73	DATE 10/26/73	NEXT HIGHER ASSY. B-DE 173 /	SIZE CODE DUA
FINISH	SCALE SHEET 2 OF 2	DIST. G	NUMBER H751-2-0	REV. E

BRUNING 40-107 15888
 REVISIONS
 CHANGE NO.
 REV.
 CHK

REV. E
 NUMBER
 DUAH751-0-0

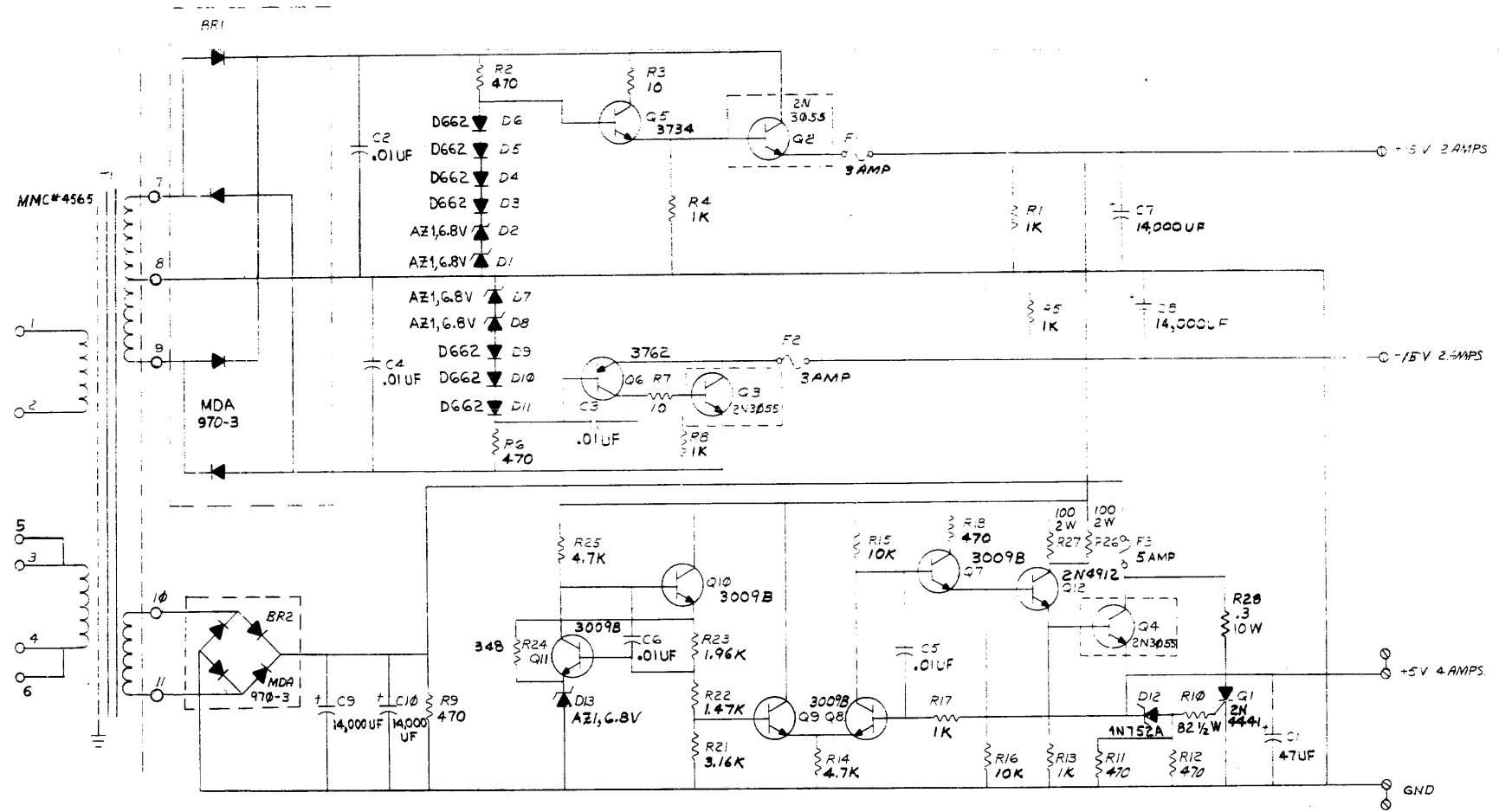
DIGITAL EQUIPMENT CORPORATION MAYNARD, MASSACHUSETTS PARTS LIST				QUANTITY / VARIATION																				
MADE BY F. CARBERRY		CHECKED W. MAJOR		SECTION		H751-A	H751-B																	
DATE 9/19/72		DATE 10/6/72		1																				
ENG <i>Larry Nally</i>		PROD <i>Bob Mc...</i>		ISSUED SECT.																				
DATE 10/26/72		DATE 10/26/72		1																				
ITEM NO.	DWG NO. / PART NO.	DESCRIPTION																						
1	E-IA-5310191-0-0	CHASSIS, POWER SUPPLY		1	1																			
2	1110208	DIODE ARRAY MDA970-3 (BR2)		1	1																			
3	1210719	FAN, BOXER 115V, 25-35 CUFT		1	1																			
4	9007036	GROMMET, CATERPILLAR		A/R	A/R																			
5	1203376	SWITCH, TOGGLE 3PST		1	1																			
6	1209351-06	CONNECTOR, MATE-N-LOCK 6 PIN		1	1																			
7	1209340-01	CONNECTOR, MATE-N-LOK 8 PIN		1	1																			
8	1209378-01	PIN, MATE-N-LOK		10	10																			
9	1210820-01	MINI-FASTAB, HOUSING #1-480417-0		2	2																			
10	1210820-02	MINI-FASTAB, PIN #60291-1		2	2																			
11	1505819	TRANSISTOR, 2N3055 (Q2, Q3, Q4)		3	3																			
12	1611096	TRANSFORMER, MMC 4565-1/T72105 (T1)		1	1																			
13	9006012-1	SCR. #4-40 x 7/16, PHL PAN HD		6	6																			
14	9007834	TAPE, DOUBLE SIDED, 1/2 INCH		A/R	A/R																			
15	9006557	KEP NUT #4		6	6																			
16	9006721	WASHER, INSULATING		3	3																			
17		LOCTITE, IS-150		A/R	A/R																			
18	9006633	LOCK WASHER #6, INT TOOTH		5	5																			
19	9008185	KEP NUT #6		5	5																			
20	9006020-1	SCR, 6-32 x 1/4, PHL PAN HD		5	5																			
21	9006039-1	SCR, 8-32 x 1/2, PHL PAN HD		4	4																			
22	9006666	WASHER, FLAT, #8		4	4																			
TITLE H751 POWER SUPPLY				ASSY NO. D-UA-H751-0-0		SIZE CODE A PL		NUMBER H751-0-0		REV. E		ECO NO. H751-00005												
				SHEET 1 OF 2		DIST.																		

DEC FORM DEC 16 (325) -1031-N870
DRA 110

DIGITAL EQUIPMENT CORPORATION MAYNARD, MASSACHUSETTS PARTS LIST				QUANTITY / VARIATION																				
MADE BY F. CARBERRY		CHECKED W. MAJOR		SECTION		H751-A	H751-B																	
DATE 9/19/72		DATE 10/6/72		1																				
ENG <i>Larry Nally</i>		PROD <i>Bob Mc...</i>		ISSUED SECT.																				
DATE 10/26/72		DATE 10/26/72		1																				
ITEM NO.	DWG NO. / PART NO.	DESCRIPTION																						
23	9006776	CONN, SOLDERLESS, AMP #31889		2	2																			
24	9006563	KEP NUT, #8		4	4																			
25	9007793-1	SCR, #6-32 x 9/16, PHL PAN HD		1	1																			
26	9006656	WASHER, FLAT, #6		1	1																			
27	9008268	COMPOUND, THERMAL JOINT		A/R	A/R																			
28	D-CS-5410131-0-1	CASSETTE POWER SUPPLY		1	1																			
29	9007031	CABLE TIE, PANDUIT, SST 1 M		A/R	A/R																			
30	9107360-55	WIRE, #18 AWG STRD, IPVC, GRN		A/R	A/R																			
31	9107360-22	WIRE, #18 AWG, STRD, IPVC, RED		A/R	A/R																			
32	9107360-00	WIRE, #18 AWG, STRD, IPVC, BLK		A/R	A/R																			
33	9107360-33	WIRE, #18 AWG, STRD, IPVC, ORN		A/R	A/R																			
34	9107360-66	WIRE, #18 AWG, STRD, IPVC, BLU		A/R	A/R																			
35	9009541	SPLICE, CLOSED END AMP #36965		1	1																			
36	C-UA-BC05H-0-0	LINE CORD SET, 115VAC		1																				
37	C-UA-BC05J-0-0	LINE CORD SET, 230VAC			1																			
38	A-DC-5310297-0-0	H751-A DECAL (115V)		1																				
39	A-DC-5310298-0-0	H751-B DECAL (230V)			1																			
40	9107278-00	TUBING, BLACK, TFE #18 AWG		A/R	A/R																			
41	9007615	1/4 X 1/4 X 6 ROUND FIBER SPACER		4	4																			
42	A-PS-1211343-0-0	FILTER		1	1																			
43	9006025-1	SCR. 6-32 X 5/8 PHL. PAN HD.		4	4																			
44	1011023	CAP, 14000 UF, 20V, (C7, C8, C9, C10)		4	4																			
TITLE H751 POWER SUPPLY				ASSY NO. D-UA-H751-0-0		SIZE CODE A PL		NUMBER H751-0-0		REV. E		ECO NO.												
				SHEET 2 OF 2		DIST.																		

DEC FORM DEC 16 (325) -1031-N870
DRA 110

The drawing and specifications herein are the property of Digital Equipment Corporation and shall not be reproduced or copied in whole or in part as is allowed for the manufacture or sale of items without their permission.



O INDICATES HOLES FOR DIODE BRIDGE
 Q2, Q3, Q4, BR2 & T1 ARE MOUNTED ON
 CHASSIS/HEAT SINK

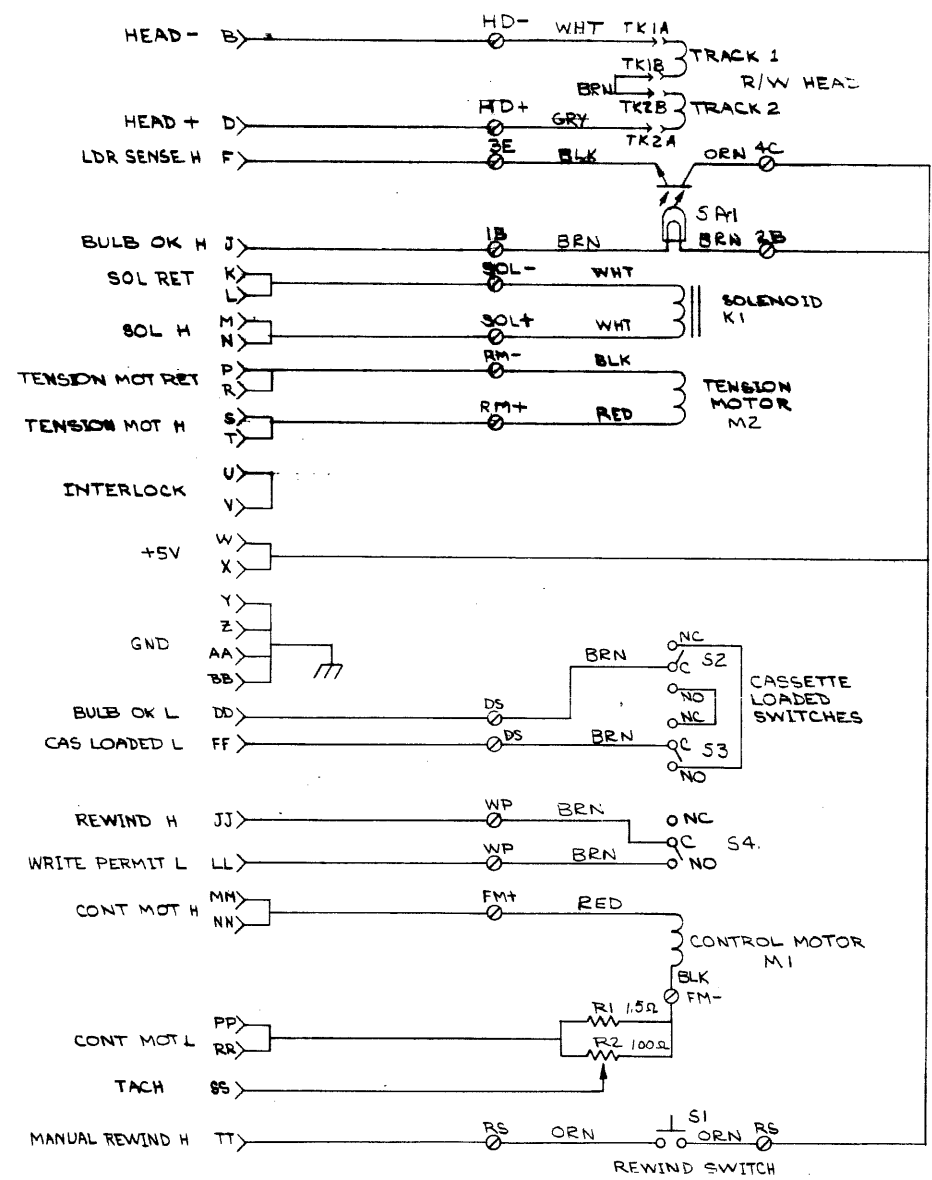
QTY	REF DESIGNATION	DESCRIPTION	PART NO.	ITEM NO.																		
PARTS LIST																						
ETCH BOARD REV C																						
<table border="1"> <tr> <td>DRN</td> <td>DATE</td> <td>7-25-72</td> </tr> <tr> <td>CHKD.</td> <td>DATE</td> <td>7-26-72</td> </tr> <tr> <td>ENG.</td> <td>DATE</td> <td>7/27/72</td> </tr> <tr> <td>PRD'S ENR.</td> <td>DATE</td> <td>7/27/72</td> </tr> <tr> <td>PROG.</td> <td>DATE</td> <td>7/27/72</td> </tr> <tr> <td>TEST</td> <td>DATE</td> <td>7/27/72</td> </tr> </table>					DRN	DATE	7-25-72	CHKD.	DATE	7-26-72	ENG.	DATE	7/27/72	PRD'S ENR.	DATE	7/27/72	PROG.	DATE	7/27/72	TEST	DATE	7/27/72
DRN	DATE	7-25-72																				
CHKD.	DATE	7-26-72																				
ENG.	DATE	7/27/72																				
PRD'S ENR.	DATE	7/27/72																				
PROG.	DATE	7/27/72																				
TEST	DATE	7/27/72																				
<p>digital EQUIPMENT CORPORATION MAYNARD, MASSACHUSETTS</p>			<p>TITLE CASSETTE POWER SUPPLY</p>																			
<p>DEC NO. EIA NO. DEC NO. EIA NO.</p>			<p>SCALE NUMBER REV. DCS 5410131-0-1</p>																			
SEMICONDUCTOR CONVERSION CHART																						
SHEET 2 OF 2																						

This drawing and specifications, herein, are the property of Digital Equipment Corporation and shall not be reproduced or copied or used in whole or in part as the basis for the manufacture or sale of items without written permission.

COPYRIGHT © 1972, DIGITAL EQUIP. CORP.

CM-7-0091 CM 2

NOTES:
 1. SWITCHES ARE SHOWN WITH "CAS LOADED" AND "WRITE PERMIT" ACTIVATED.
 2. CONNECT WIRE (ITEMS #44 & #45) TO HEAD (ITEM #20) USING CONNECTOR PINS SUPPLIED WITH HEAD (ITEM #20). SEE DETAIL "A".



BRUNING 40-522 15640
 DEC FORM NO
 DRD 102-B

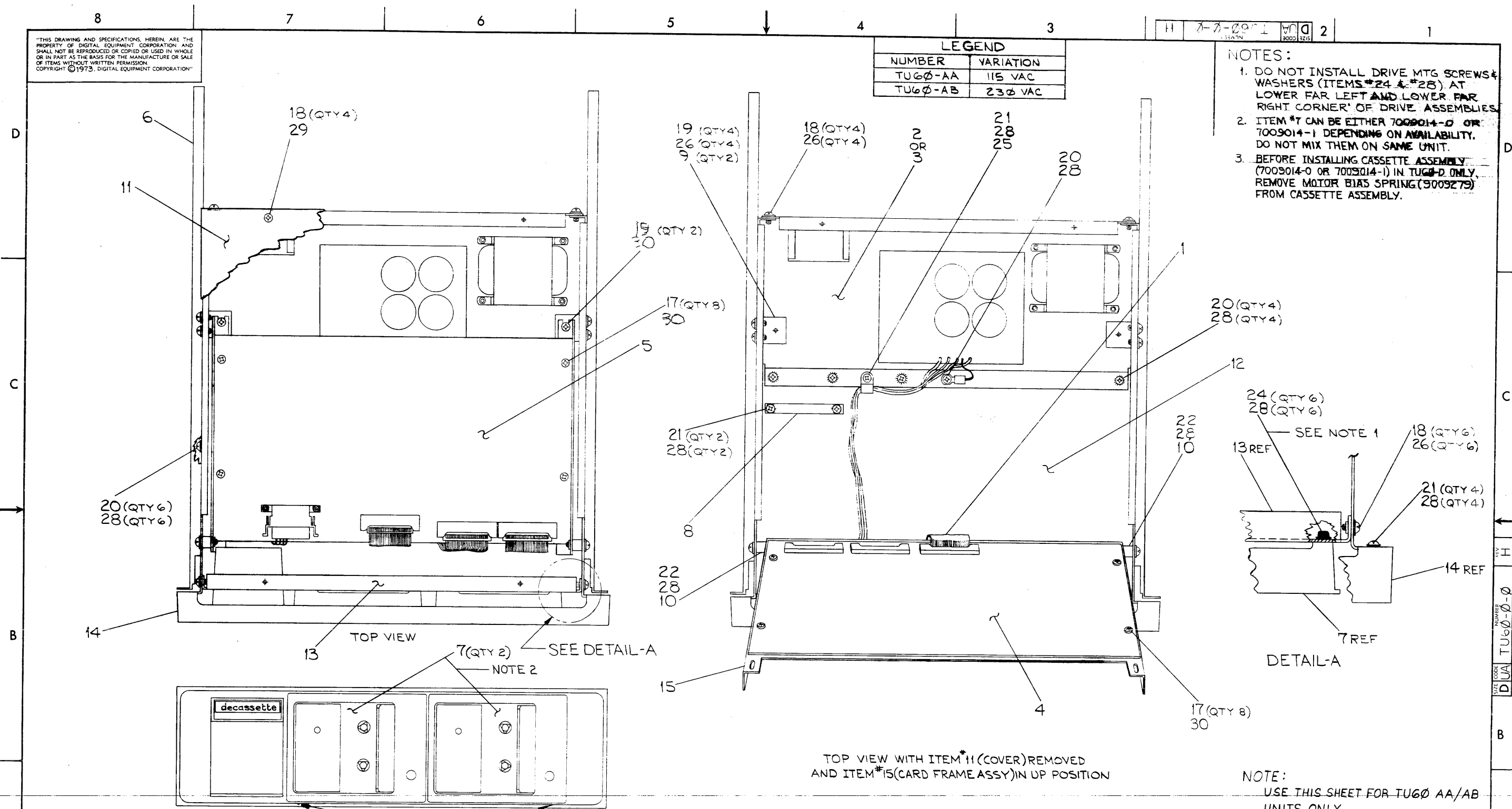
FIRST USED ON OPTION/MODEL	QTY.	DESCRIPTION	PART NO.	ITEM NO.
TU60				
PARTS LIST				
UNLESS OTHERWISE SPECIFIED DIMENSION IN INCHES TOLERANCES	DRN <i>Z. Chabery</i>	DATE 10/13/72	 digital EQUIPMENT CORPORATION MAYNARD, MASSACHUSETTS	
DECIMALS	CHK'D <i>W. Major</i>	DATE 12/21/72		
ANGLES	ENG. <i>M. J.</i>	DATE 11/7/72	TITLE CASSETTE DRIVE WIRING DIAGRAM	
XXX - .005 XX - .02 X - .1	PROJ. ENG. <i>M. J.</i>	DATE 12/27/72		
REMOVE BURRS AND BREAK SHARP CORNERS SURFACE QUALITY	PRQD. <i>M. J.</i>	DATE 11-1-72		
MATERIAL	NEXT HIGHER ASSY.			
FINISH	B-00-TU60-0	SCALE	SIZE CODE DWD TU60-0-WD	NUMBER REV.
	SHEET 1 OF 1	DIST.		

REV. 1
DWD TU60-0-WD

"THIS DRAWING AND SPECIFICATIONS HEREIN ARE THE PROPERTY OF DIGITAL EQUIPMENT CORPORATION AND SHALL NOT BE REPRODUCED OR COPIED OR USED IN WHOLE OR IN PART AS THE BASIS FOR THE MANUFACTURE OR SALE OF ITEMS WITHOUT WRITTEN PERMISSION. COPYRIGHT © 1973, DIGITAL EQUIPMENT CORPORATION"

LEGEND	
NUMBER	VARIATION
TU60-AA	115 VAC
TU60-AB	230 VAC

- NOTES:
- DO NOT INSTALL DRIVE MTG SCREWS & WASHERS (ITEMS *24 & *28) AT LOWER FAR LEFT AND LOWER FAR RIGHT CORNER OF DRIVE ASSEMBLIES.
 - ITEM *7 CAN BE EITHER 7009014-0 OR 7009014-1 DEPENDING ON AVAILABILITY. DO NOT MIX THEM ON SAME UNIT.
 - BEFORE INSTALLING CASSETTE ASSEMBLY (7009014-0 OR 7009014-1) IN TU60-D ONLY, REMOVE MOTOR BIAS SPRING (3009279) FROM CASSETTE ASSEMBLY.



TOP VIEW WITH ITEM *11 (COVER) REMOVED AND ITEM *15 (CARD FRAME ASSY) IN UP POSITION

NOTE: USE THIS SHEET FOR TU60 AA/AB UNITS ONLY.

REV	CHANGE NO.	DATE	BY	CHKD.
1	00012	12/20/72	A. FLOURDE	S. FLANDERS
2	00013	1/1/73	H. DRAB	W. MAJOR
3	00014	5/7/73	H. DRAB	W. MAJOR
4	00017	7/1/73	H. DRAB	W. MAJOR
5	00018	7/1/73	H. DRAB	W. MAJOR
6	00019	7/1/73	H. DRAB	W. MAJOR
7	00019	7/1/73	H. DRAB	W. MAJOR
8	00019	7/1/73	H. DRAB	W. MAJOR

FIRST USED ON OPTION/MODEL	QTY.	DESCRIPTION	PART NO.	ITEM NO.
TU60				
UNLESS OTHERWISE SPECIFIED DIMENSION IN INCHES				
TOLERANCES				
DECIMALS	ANGLES	= 0° 30'		
.xxx = .005		DATE 12/20/72		
.xx = .02		DATE 1/1/73		
.x = .1		DATE 5/7/73		
REMOVE BURRS AND BREAK SHARP CORNERS SURFACE QUALITY V		DATE 7/1/73		
MATERIAL				
NEXT HIGHER ASSY.				
FINISH				
SCALE				
SHEET OF 4				

PARTS LIST		digital EQUIPMENT CORPORATION MAYNARD, MASSACHUSETTS	
TITLE			
TU60 UNIT ASSY			
SIZE CODE	NUMBER	REV.	
DUA	TU60-0-0	H	
DIST.			

8
7
6
5
4
3
2
1

D
C
B
A

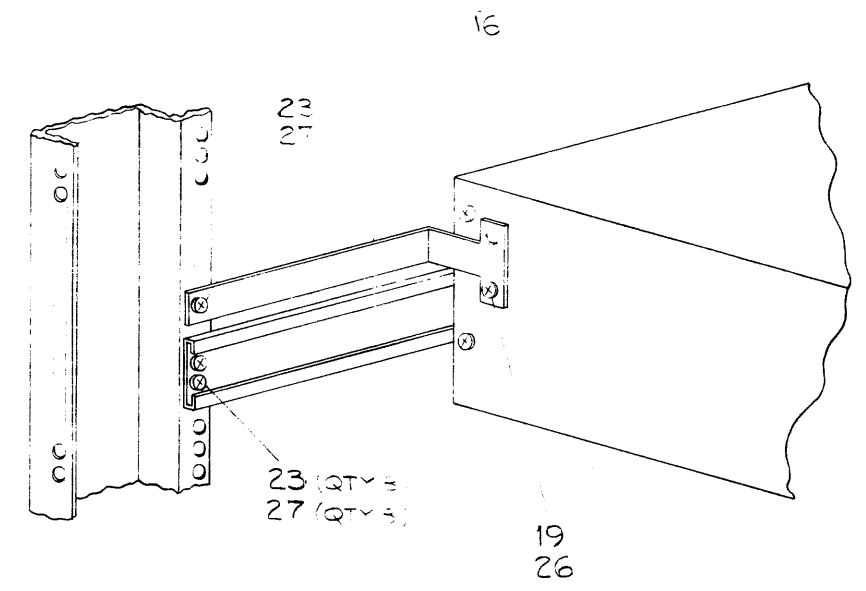
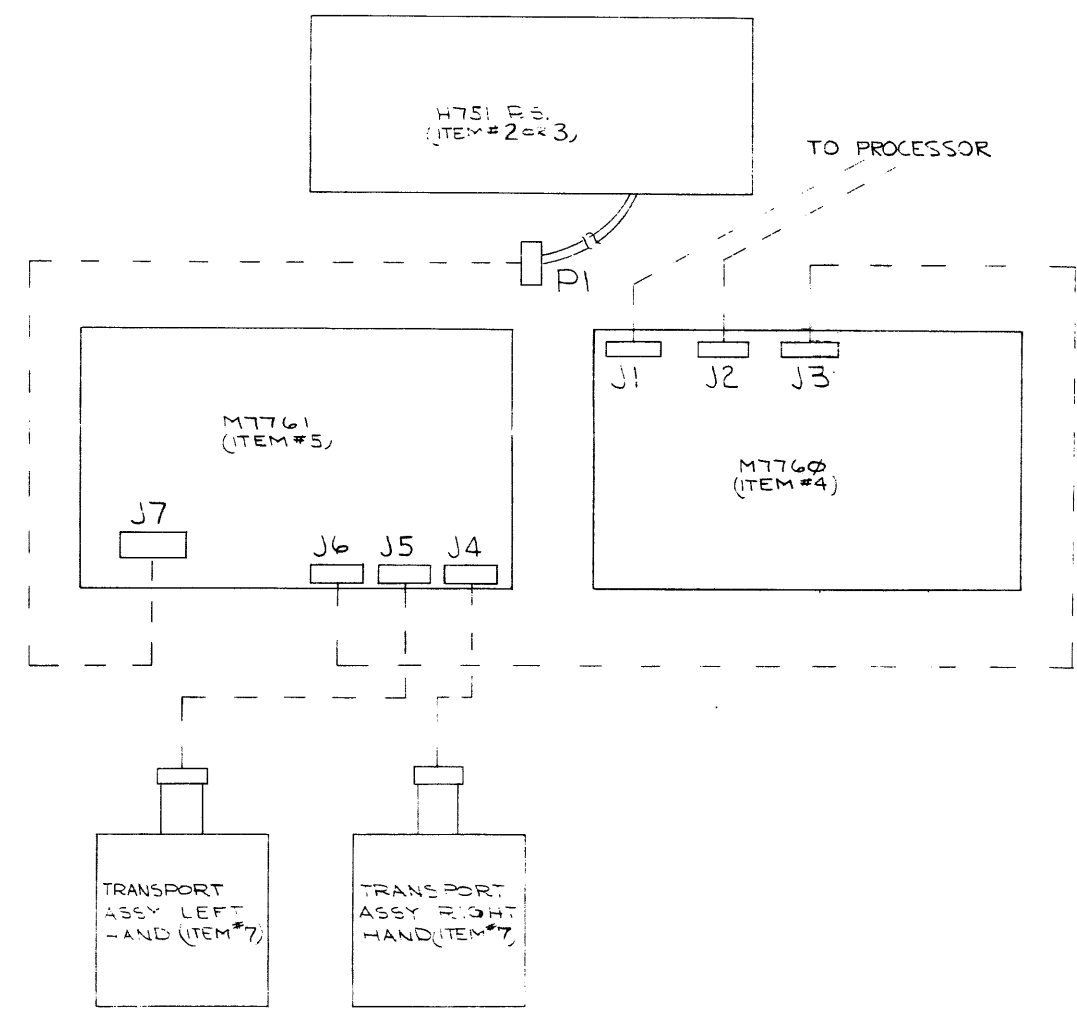
BRUNING 40 107 15968
REVISIONS
CHK CHANGE NO. REV.

ASSY CONNECTIONS

FROM		TO	
ITEM NO	DESCRIPTION	ITEM NO	DESCRIPTION
2 or 3	H751 P.S.-PI	5	M7761-J7
7	TRANSPORT ASSY LEFT	5	M7761-J5
7	TRANSPORT ASSY RIGHT	5	M7761-J4

CABLE CONNECTIONS

ITEM NO	FROM	TO
1	M7761-J6	M7760-J3



LOCATION OF SHIPPING BRACKET (ITEM #16) WHEN UNIT IS SUPPLIED IN CABINET

NOTE:
USE THIS SHEET FOR TU60 AA/AB
UNITS ONLY.

FIRST USED ON OPTION/MODEL	QTY.	DESCRIPTION	PART NO.	ITEM NO.	
PARTS LIST					
UNLESS OTHERWISE SPECIFIED DIMENSION IN INCHES TOLERANCES	DRN	DATE	digital EQUIPMENT CORPORATION MAYNARD MASSACHUSETTS		
DECIMALS ANGLES	CHK'D	DATE			
xxx - .005 xx - .02 x - .1	ENG.	DATE			
REMOVE BURRS AND BREAK SHARP CORNERS SURFACE QUALITY	PROJ. ENG.	DATE			
MATERIAL	PROD.	DATE	TITLE TU60 UNIT ASSY		
FINISH	NEXT HIGHER ASSY.				
SCALE					
SHEET 2 OF 4	DIST.		SIZE CODE DUA	NUMBER TU60-0-0	REV. H

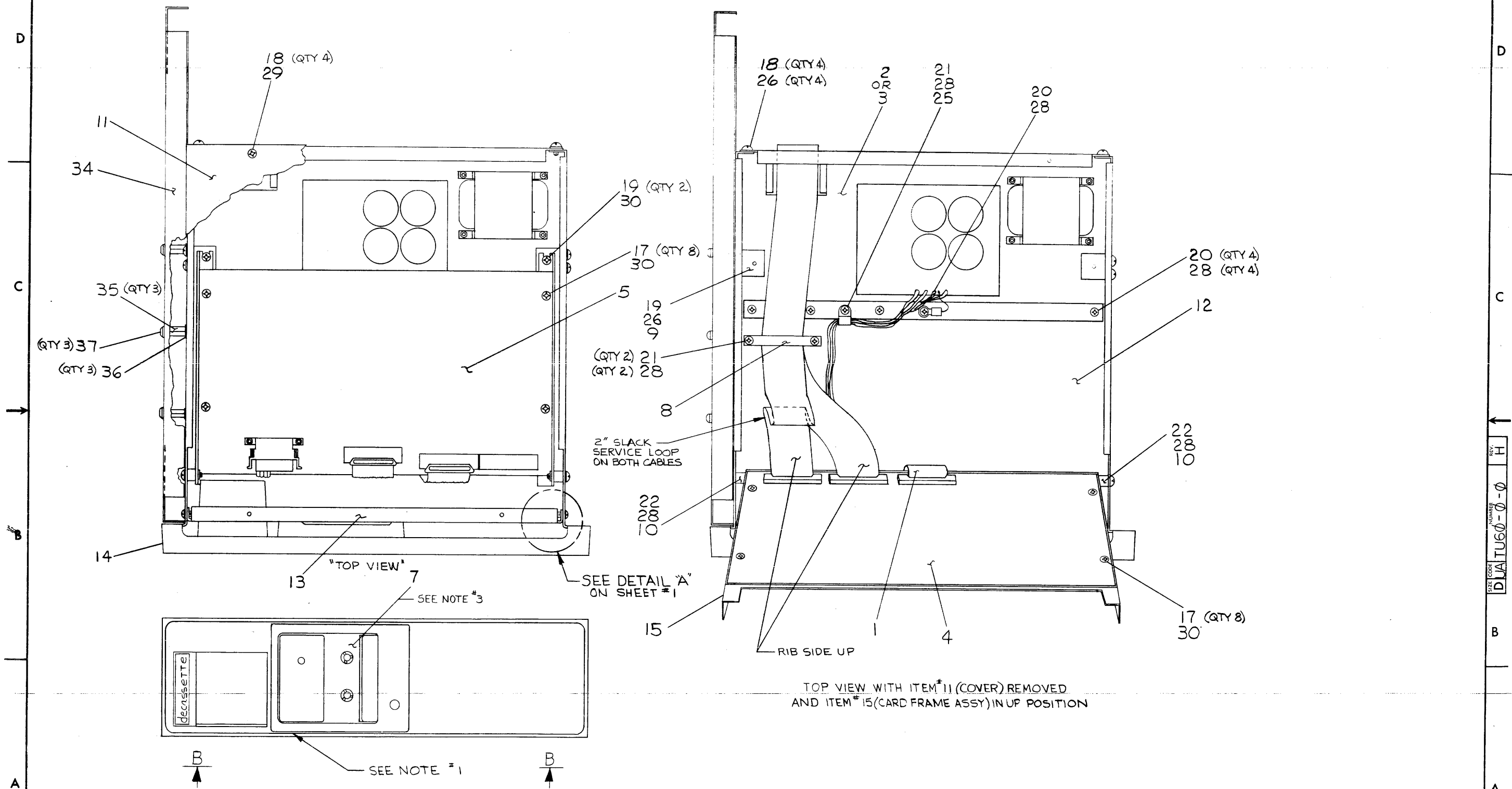
REV H
NUMBER
DUATU60-0-0
SIZE CODE

8
7
6
5
4
3
2
1

"THIS DRAWING AND SPECIFICATIONS, HEREIN, ARE THE PROPERTY OF DIGITAL EQUIPMENT CORPORATION AND SHALL NOT BE REPRODUCED OR COPIED OR USED IN WHOLE OR IN PART AS THE BASIS FOR THE MANUFACTURE OR SALE OF ITEMS WITHOUT WRITTEN PERMISSION. COPYRIGHT ©1976 DIGITAL EQUIPMENT CORPORATION"

LEGEND	
NUMBER	VARIATION
TU60-DA	115 VAC
TU60-DB	230 VAC

SIZE CODE DUA TU60-0-0 2



TU60-DA/DB ONLY

REVISIONS		
CHK	CHANGE NO.	REV.

TITLE	TU60 UNIT ASSY	SIZE CODE	DUA	NUMBER	TU60-0-0	REV.	H
SCALE	NONE	SHEET	3	OF	4	DIST.	

SEC FORM NO. DRD 137

DIGITAL EQUIPMENT CORPORATION MAYNARD, MASSACHUSETTS PARTS LIST					QUANTITY / VARIATION																
MADE BY G. Flanders		CHECKED W. Major		SECTION		TU60-AA	TU60-AB	TU60-DA	TU60-DB												
DATE 12/20/73		DATE 1/3/73		1																	
ENG M. Leis		PROD M. Leis		ISSUED SECT.																	
DATE 1/12/73		DATE 1/12/73		1																	
ITEM NO.	DWG NO. / PART NO.	DESCRIPTION																			
1	D-UA-BC05L-0-0	CABLE, JUMPER																			
2	D-UA-H751-A	H751 POWER SUPPLY (115V)																			
3	D-UA-H751-B	H751 POWER SUPPLY (230V)																			
4	D-CS-M7760-0-1	TU60 LOGIC																			
5	D-CS-M7761-0-1	READ/WRITE AND SERVO																			
6	D-PS-1209154-0-0	CHASSIS-TRAK (PAIR)																			
7	D-AD-7009014-0-0	TRANSPORT ASSY (TU60) (SEE NOTE 2 ON UA)																			
8	C-MD-7409479-0-0	PLATE, PRESSURE																			
9	C-MD-7409904-0-0	BRACKET, SYMMETRICAL																			
10	B-MD-7409933-0-0	BUSHING, PIVOT																			
11	E-MD-7409941-0-0	COVER, CHASSIS																			
12	E-IA-7409943-0-0	CHASSIS (TU60)																			
13	D-IA-74009990-0-0	PLATE, CHASSIS, FRONT (TU60)																			
14	D-IA-7410556-0-0	BEZEL ASSY																			
15	D-IA-7410604-0-0	CARD FRAME ASSY																			
16	C-MD-7410690-0-0	BRACKET, SHIPPING																			
17	9006020-1	SCR, PHL PAN HD #6-32 x 1/4 LG																			
18	9006020-3	SCR, PHL TRUSS HD #6-32 x 1/4 LG																			
19	9006021-3	SCR, PHL TRUSS HD #6-32 x 5/16 LG																			
20	9006035-3	SCR, PHL TRUSS HD #8-32 x 1/4 LG																			
21	9006037-3	SCR, PHL TRUSS HD #8-32 x 3/8 LG																			
22	9006040-3	SCR, PHL TRUSS HD #8-32 x 5/8 LG																			
TITLE TU60 UNIT ASSY					ASSY NO. D-UA-TU60-0		SIZE CODE A PL		NUMBER TU60-0-0		REV. H		ECO NO. TU60-00019								
SHEET 1 OF 2					DIST.																

DEC FORM DEC 16 (325)-1031-N870
DRA 110

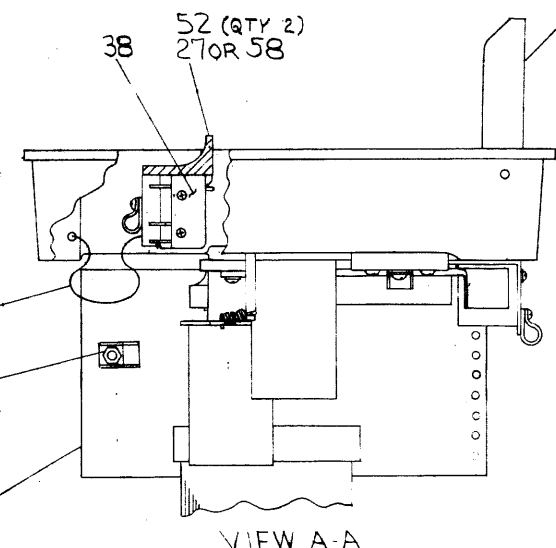
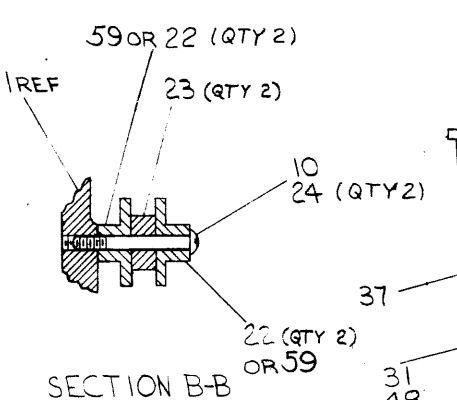
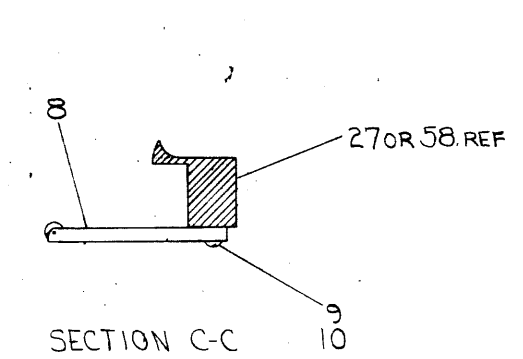
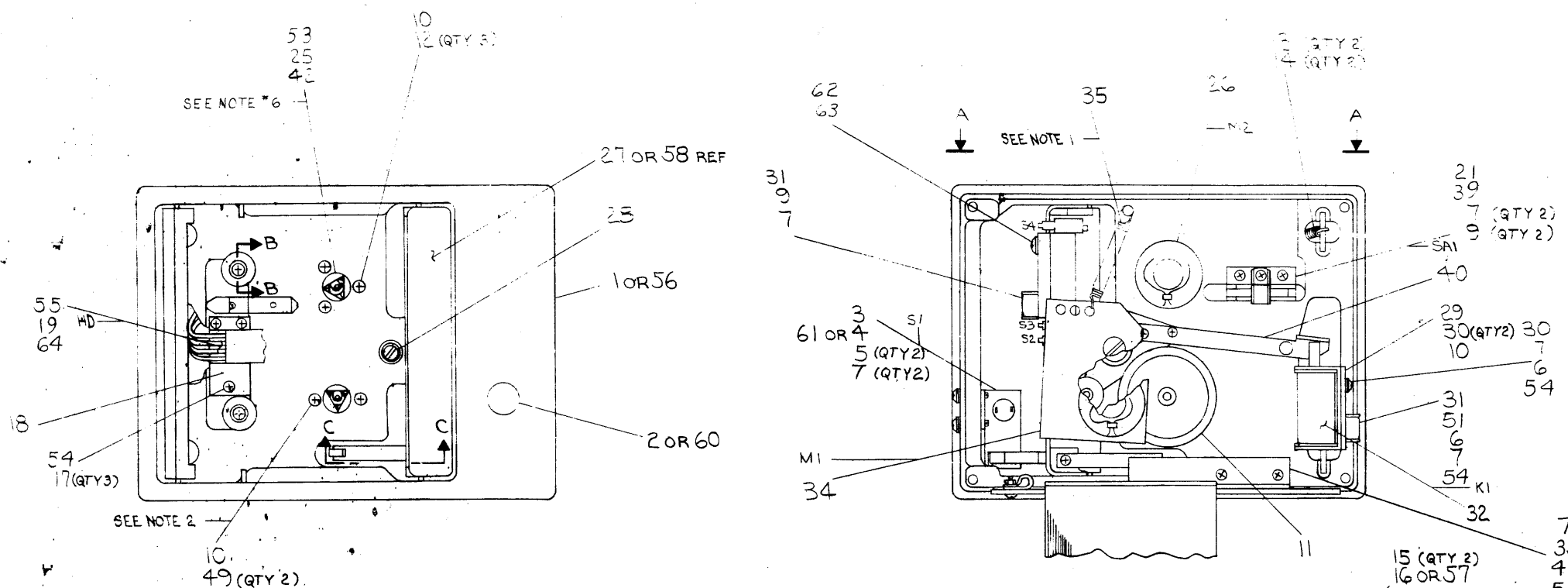
DIGITAL EQUIPMENT CORPORATION MAYNARD, MASSACHUSETTS PARTS LIST					QUANTITY / VARIATION																	
MADE BY G. Flanders		CHECKED W. Major		SECTION		TU60-AA	TU60-AB	TU60-DA	TU60-DB													
DATE 12/20/73		DATE 1/3/72		1																		
ENG M. Leis		PROD M. Leis		ISSUED SECT.																		
DATE 1/12/73		DATE 1/12/73		1																		
ITEM NO.	DWG NO. / PART NO.	DESCRIPTION																				
23	9006071-3	SCR, PHL TRUSS HD #10-32 x 3/8 LG																				
24	9006337-8	SCR, SOCKET HD #8-32 x 3/8 LG																				
25	9007080	CABLE CLAMP 3/16																				
26	9007649	LOCKWASHER #6 EXT TOOTH																				
27	9007786	NUT, #10-32 TINNEMAN																				
28	9008072	LOCKWASHER #8 EXT TOOTH																				
29		LOCTITE 242																				
30		TORQUE SEAL																				
31	3611226	DEC 150 CASSETTE																				
32	A-SP-3700061-0-0	PACKAGING INSTRUCTIONS TU60 CUSTOMER																				
33	A-SP-3700133-0-0	PACKAGING INSTRUCTIONS TU60 INTERPLANT																				
34	D-MD-7417654-0-0	HANGER, TA36																				
35	9000001-03	STANDOFF, MALE/FEMALE #8-32 x 1.0																				
36	9006662	WASHER, FLAT #8																				
37	9008304	SCREW, BUTTON HD. #8-32 x .38																				
38	BC08R-06	CABLE, FLAT 40 COND. WITH CONN.																				
39	1213715	CLIP, 40 COND. FLAT CABLE (038-0250)																				
40	1213716	PAD, FOAM FOR FLAT CABLE CLIP (040-0250)																				
TITLE TU60 UNIT ASSY					ASSY NO. D-UA-TU60-0		SIZE CODE A PL		NUMBER TU60-0-0		REV. H		ECO NO.									
SHEET 2 OF 2					DIST.																	

DEC FORM DEC 16 (325)-1031-N870

This drawing and its contents are the property of Digital Equipment Corporation. It is to be used only for the manufacture of parts without written permission.

NUMBER	VARIATION
7009014-0	SAND CASTING
7009014-1	DIE CASTING

- NOTES:
1. SET SPRING TENSION 45/55 GRAMS MEASURED ON ROCKER ASSY LEVER AT POSITION WHERE SOLENOID STRIKES LEVER. TRANSPORT MUST BE IN OPERATING POSITION.
 2. TIGHTEN SCR (ITEM #49) TO 6 INCH-POUNDS OF TORQUE.
 3. ~~TRIM LEADS OF ITEM #50 (CABLE) TO 38 LONG BEFORE SOLDING TO ITEM #36.~~
 4. SEE DETAILS B, C & D TO LOCATE ITEM #47 (CABLE TIES).
 5. CABLE WILL BE LACED SO AS NOT TO INHIBIT FREE MOTION OF LOCK-BAR #27.
 6. ITEM #53 TO BE USED BETWEEN MOTOR SHAFT AND I.D. OF COUPLING. APPLY LOCTITE TO I.D. OF COUPLING AND SLIP ON MOTOR SHAFT. BE SURE LOCTITE DOES NOT RUN DOWN MOTOR SHAFT TO MOTOR BEARING.

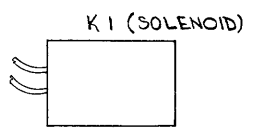
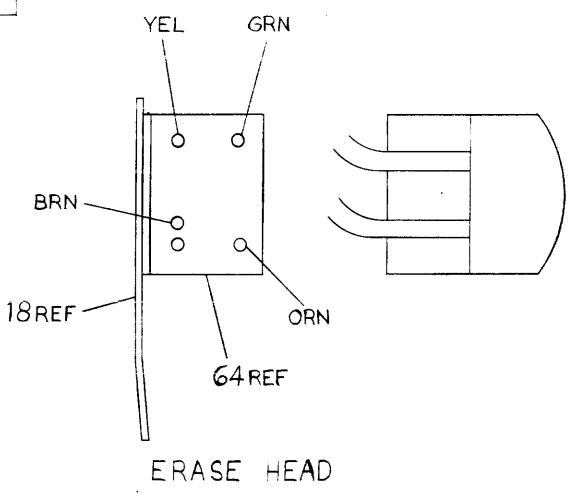
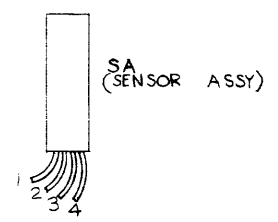
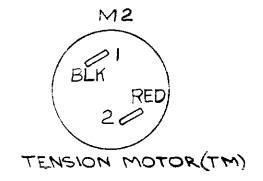
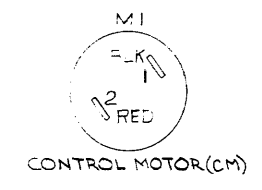
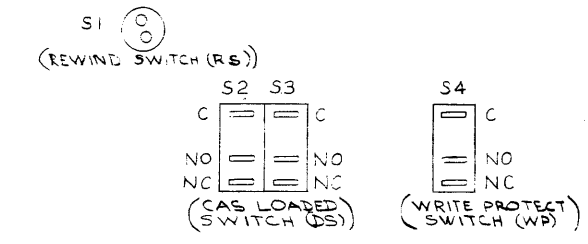
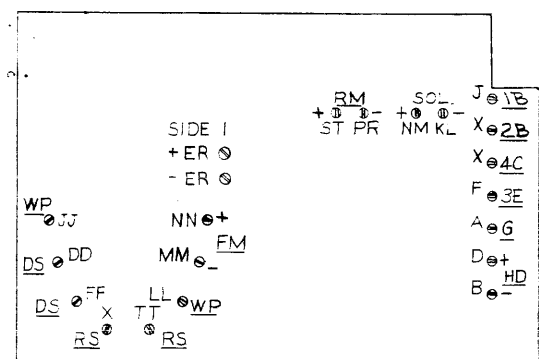
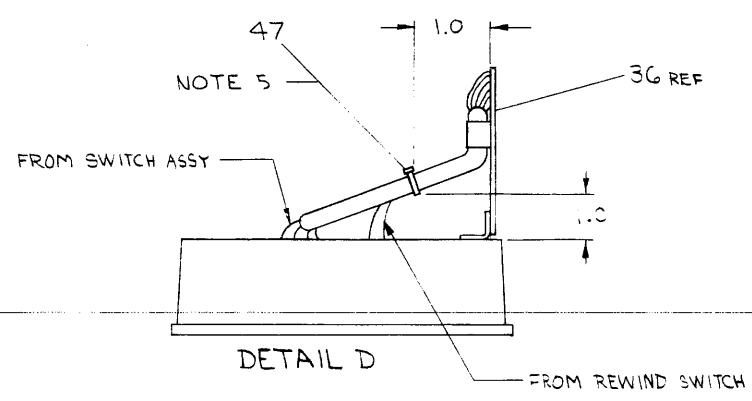
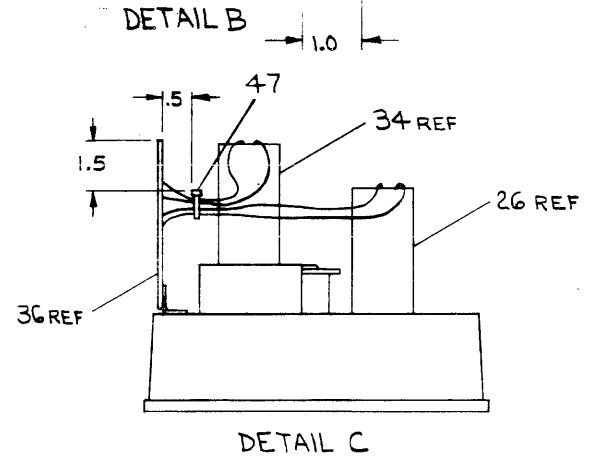
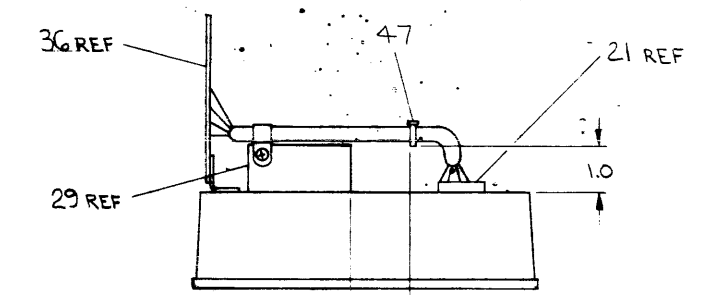


REV	CHG	NO	DATE	BY	DESCRIPTION
1					
2					
3					
4					
5					
6					
7					
8					

FIRST USED ON OPTION/MODEL	QTY.	DESCRIPTION	PART NO.	ITEM NO.
TU60				
PARTS LIST				
UNLESS OTHERWISE SPECIFIED DIMENSION IN INCHES TOLERANCES	DRN	DATE	digital EQUIPMENT CORPORATION	
DECIMALS	CHK'D	DATE	MAYNARD MASSACHUSETTS	
ANGLES	ENG.	DATE	TITLE	
XXX - .005	PROJ. ENG.	DATE	TRANSPORT	
XX - .02		DATE	ASSY (TU60)	
X - .1		DATE		
REMOVE BURRS AND BREAK SHARP CORNERS SURFACE QUALITY	PROD.	DATE		
MATERIAL	NEXT HIGHER ASSY.		SIZE CODE	NUMBER
	D-1A-TU62-0-0		DAE	7009014-0-0
FINISH	SCALE		SHEET	REV.
	NON		OF 2	H
			DIST.	

This drawing and specifications herein are the property of Digital Equipment Corporation and shall not be reproduced, or copied or used in whole or in part as the basis for the manufacture or sale of items without written permission.

WIRE TABLE							
ITEM NO.	DESCRIPTION	FROM	TO	REMARKS	LENGTH		
		CONN	WITH	CONN	WITH		
43	ORN	26	S1	SOLDER	PC-X	SOLDER EITHER S1 TERM.	3.5
43	ORN	26	S1	SOLDER	PC-TT	REMAINING S1 TERM.	3.5
++	++	++	S2-C	++	PC-DD		
++	BRN	HD-3	++	PC-D			4.5
++	ORN	HD-3	++	PC-B			4.5
++	++	S3-C	++	PC-FF			
++	++	S4-C	++	PC-LL			
++	++	S4-NO	++	PC-JJ			
++	BLK	M1-1	++	PC-MM			5.0
++	RED	M1-2	++	PC-NN			5.0
++	BLK	M2-1	++	PC-PR			5.0
++	RED	M2-2	++	PC-ST			5.0
++	WHT	K1	++	PC-MN		EITHER K1 LEAD	1.25
++	WHT	K1	++	PC-KL		REMAINING K1 LEAD	1.25
++	BRN	SA-1	++	PC-J		EITHER BRN LEAD	
++	BRN	SA-2	++	PC-X		REMAINING BRN LEAD	
++	BLK	SA-3	++	PC-F			
++	ORN	SA-4	++	PC-X			
++	YEL	HD-4	++	PC-ER-			9.0
++	GRN	HD-5	++	PC-ER+	SOLDER		9.0



FIRST USED ON OPTION/MODEL	QTY.	DESCRIPTION	PART NO.	ITEM NO.
TU6C				
PARTS LIST				
UNLESS OTHERWISE SPECIFIED DIMENSION IN INCHES TOLERANCES		DRN. DATE 1/27/72	digital EQUIPMENT CORPORATION MAYNARD MASSACHUSETTS	
DECIMALS	ANGLES	CHK'D. DATE 12/17/72	TITLE	
XXX = .005	± 0° 30'	ENG. DATE 12/17/72	TRANSPORT ASSY (TU60)	
XX = .02		PROJ. ENG. DATE 12/17/72	NUMBER	
X = .1		PROD. DATE 11/1/72	REV.	
REMOVE BURRS AND BREAK SHARP CORNERS SURFACE QUALITY			DAD 7009014-C-0	
MATERIAL	NEXT HIGHER ASSY.	SCALE	SHEET	OF 2
FINISH				

BRUNING 40107 15848
REVISIONS
CHK CHANGE NO. REV.

REV. H
NUMBER
DAD 7009014-0-0

DIGITAL EQUIPMENT CORPORATION MAYNARD, MASSACHUSETTS PARTS LIST					QUANTITY / VARIATION															
MADE BY W. MAJOR		CHECKED <i>W. Major</i>		SECTION	7009014-0		7009014-1													
DATE 11/27/72		DATE 1/16/73		1																
ENG <i>WY BENSON</i>		PROD <i>W. Major</i>		ISSUED SECT.																
DATE 1-16-73		DATE 1/15/73		1																
ITEM NO.	DWG NO. / PART NO.	DESCRIPTION			7009014-0	7009014-1														
1	D-IA-7410640-0-0	BASE ASSY			1	0														
2	B-MD-7410518-0-0	BUTTON, REWIND SWITCH			1	0														
3	1211040	SWITCH, PUSHBUTTON SPST			1	1														
4	B-MD-7410519-0-0	BRACKET, REWIND SWITCH			1	0														
5	9006011-1	SCR, PHL HD PAN #4-40 X 3/8			2	2														
6	9008172	WASHER, FLAT #4 S.S.			2	2														
7	9006632	WASHER, INT TOOTH #4			10	10														
8	C-IA-7409930-0-0	EJECTOR ASSY			1	1														
9	9006013-1	SCR, PHL HD PAN #4-40 X 1/2			3	3														
10		LOCTITE 242			A/R	A/R														
11	D-AD-7009146-0-0	SPINDLE ASSEMBLY			1	1														
12	9009275-2	SCR, PHL HD PAN #4-40 X 3/8			3	3														
13	9009308	SPRING			2	2														
14	9006527	ROLL PIN 3/32 X 11/16 LG			2	2														
15	9006531	ROLL PIN 1/8 X 3/8 LG			2	2														
16	C-IA-7409924-0-0	COVER, LOWER CASSETTE ASSY			1	0														
17	9006001-1	SCR, PHL HD PAN #2-56 X 1/4			3	3														
18	C-MD-7409908-0-0	PLATE, HEAD MOUNT			1	1														
19	9009276	SCR, PHL HD PAN #2-56 X 1/8			1	1														
20	1211174	HEAD			1	1														
21	D-PS-1211289-0-0	SENSOR ASSEMBLY			1	1														
22	C-MD-7409912-0-0	GUIDE, TAPE			4	0														
TITLE				ASSY NO.		SIZE		CODE		NUMBER				REV.		ECO NO.				
TRANSPORT ASSY (TU6Ø)				D-AD-7009014-0-0		A		PL		7009014-0-0				H		7009014 00003				
				SHEET 1 OF 3		DIST.														

DEC FORM DEC 16-(325)-1031-N870
DRA 110

DIGITAL EQUIPMENT CORPORATION MAYNARD, MASSACHUSETTS PARTS LIST					QUANTITY / VARIATION															
MADE BY W. MAJOR		CHECKED <i>W. Major</i>		SECTION	7009014-0		7009014-1													
DATE 11/27/72		DATE 1/16/73		1																
ENG <i>WY BENSON</i>		PROD <i>W. Major</i>		ISSUED SECT.																
DATE 1-16-73		DATE 1/15/73		1																
ITEM NO.	DWG NO. / PART NO.	DESCRIPTION			7009014-0	7009014-1														
23	C-MD-7409911-0-0	SPACER, TAPE GUIDE			2	2														
24	9006015-1	SCR, PHL HD PAN #4-40 X 3/4			2	2														
25	D-PS-1211279-0-0	COUPLING, CASSETTE DRIVE			1	1														
26	1211111	MOTOR, CASSETTE			1	1														
27	D-MD-7409917-0-0	LOCK-BAR, CASSETTE			1	0														
28	9009277-1	SCR, SLOTTED HD PAN #8-32 X 1/4			1	1														
29	C-MD-7409928-0-0	BRACKET, SOLENOID			1	1														
30	9008301-1	SCR, PHL HD PAN #4-40 X 1/4			5	5														
31	9007079	CLAMP, CABLE 5/16			3	3														
32	1211189	SOLENOID			1	1														
33	B-MD-7409929-0-0	BRACKET, TERMINAL BOARD			1	1														
34	C-AD-7009140-0-0	MOTOR MOUNT ASSY			1	1														
35	9009279	SPRING			1	1														
36	D-IA-7009041-0-0	TERMINATOR CABLE ASSY			1	1														
37	C-MD-7410537-0-0	SPRING, LOCK BAR			1	1														
38	C-AD-7009141-0-0	SWITCH ASSY			1	1														
39	B-MD-7410544-0-0	SPACER, E.O.T. BLOCK			1	0														
40	C-AD-7009148-0-0	LEVER ASSY			1	1														
41	9006791	SPACER, AL HEX #4 1/8 LG			2	0														
42	9009274	SCREW, SET #2-56 X 1/8 LG			1	1														
43	9107636-33	WIRE, #26 AWG IPVC STRD ORN			A/R	A/R														
44	9107636-11	WIRE, #26 AWG IPVC STRD BRN			A/R	A/R														
TITLE				ASSY NO.		SIZE		CODE		NUMBER				REV.		ECO NO.				
TRANSPORT ASSY (TU6Ø)				D-AD-7009014-0-0		A		PL		7009014-0-0				H		7009014 00003				
				SHEET 2 OF 3		DIST.														

DEC FORM DEC 16-(325)-1031-N870
DRA 110

DIGITAL EQUIPMENT CORPORATION
MAYNARD, MASSACHUSETTS

PARTS LIST

QUANTITY / VARIATION

MADE BY		CHECKED <i>W. Major</i>	SECTION												
DATE W. MAJOR 11/27/72		DATE 1/6/73	1												
ENG <i>WYBEN</i>		PROD <i>[Signature]</i>	ISSUED SECT.												
DATE 1-6-73		DATE 1/15/73	1												
ITEM NO.	DWG NO. / PART NO.	DESCRIPTION		7009014-0	7009014-1										
45	9107678-98	WIRE, #26 AWG TEF INS WHT/GRY		A/R	A/R										
46	9107755	TUBING, SHRINKABLE 3/64 DIA		A/R	A/R										
47	9007031	TIE, CABLE 3 3/4 LG X 3/32 WIDE		A/R	A/R										
48	9009280	NUT, HEX #4-40 X 3/16 X 1/16		1	1										
49	9009504-2	SCR, PHL FLAT HD #4-40 X 5/8		2	2										
50	1000042	CAPACITOR 1000 PF 5%		2											
51	9006010-1	SCR, PHL PAN HD #4-40 X 5/16		4	4										
52	9006517	ROLL PIN 1/8 X 1/4 LG		2	2										
53		LOCTITE IS-150		A/R	A/R										
54		TORQUE SEAL		A/R	A/R										
55	9006631	WASHER, INT TOOTH #2		1	1										
56	D-IA-7410640-1-0	BASE ASSY		0	1										
57	C-IA-7409924-1-0	COVER, LOWER CASSETTE ASSY		0	1										
58	D-MD-7410725-1-0	LOCK BAR, CASSETTE		0	1										
59	C-MD-7409912-1-0	GUIDE, TAPE		0	4										
60	B-MD-7410518-1-0	BUTTON, REWIND SWITCH		0	1										
61	B-MD-7411496-0-0	BRACKET, SWITCH SPRING		0	1										
62	9006633	WASHER, INT TOOTH #6		2	2										
63	9006025-1	SCR, PHL HD PAN #6-32 x 5/8		2	2										
64	1212292	HEAD, CASSETTE, READ-WRITE - ERASE		1	1										
TITLE			ASSY NO.	SIZE	CODE	NUMBER				RF	ECO NO.				
TRANSPORT ASSY (TU00)			D-AD-7009014-0-0	A	PL	7009014-0-0				H					
			SHEET	OF	DIST										

This drawing and specifications herein are the property of Digital Equipment Corporation and shall not be reproduced or copied or used in whole or in part as the basis for the manufacture or sale of items without written permission.

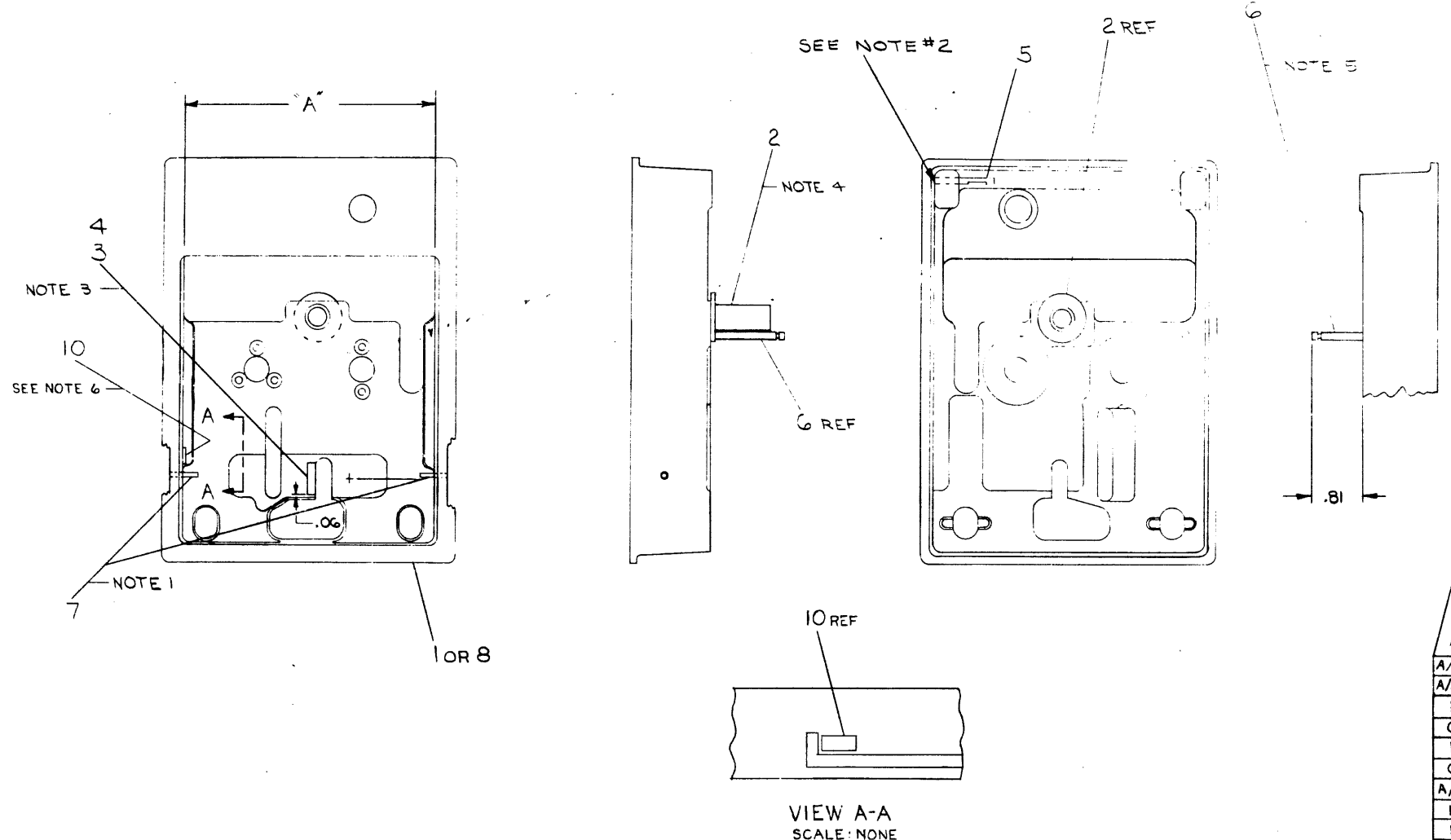
LEGEND	
NUMBER	VARIATION
7410640-0	SAND CAST
7410640-1	DIE CAST

NOTES:

- ROLL PIN (ITEM #7) TO BE PRESSED FLUSH WITH OUTSIDE SURFACE OF BASE AS SHOWN, 2 PLACES.
- PIN (ITEM #5) TO BE PRESSED FLUSH WITH THIS SURFACE AS SHOWN. NOTE POSITION OF CUTOUT ON ITEM #5.
- WHEN MOUNTING SHIM (ITEM #3) TO BASE (ITEM #1), USE LOCTITE IS-06 (ITEM #4) SPARINGLY TO AVOID BUILDUP BUT ENOUGH TO OBTAIN A GOOD BOND. NOTE LOCATION OF SHIM ALONG EDGE OF SLOT IN BASE.
- BUSHING (#2) TO BE PRESSED INTO ITEM #1 AS SHOWN.
- PIN (#6) TO BE PRESSED INTO ITEM #1 TO DIMENSION SHOWN.
- CASSETTE SHIM: SIZE AND POSITION SIZE: MEASURE DIMENSION "A" SUBTRACT 4.150 FROM DIMENSION "A" CHOOSE SHIM FROM TABLE BELOW:

A - 4.140	SHIM THICKNESS
.017 IN. - .025 IN.	.020 IN.
.023 IN. - .0275 IN.	.025 IN.
.029 IN. - .0325 IN.	.030 IN.
.033 IN. - .0375 IN.	.035 IN.
.039 IN. - .0425 IN.	.040 IN.

 LENGTH OF SHIM SHOULD BE .50 IN. ± .06 IN.
 WIDTH OF SHIM SHOULD BE .25 IN. ± .06 IN.
 POSITIONING: POSITION SHIM AS SHOWN IN VIEW A-A. USE TRANSFER ADHESIVE (ITEM #9) TO BOND SHIM TO BASE ASSEMBLY.



QTY.	DESCRIPTION	PART NO.	ITEM NO.
A/R	A/R	STOCK, SHIM	4850023 10
A/R	A/R	ADH TRANSFER 3M468	3612911-01 9
1	0	BASE, CASSETTE TRANS (MACH)	E-MD-M-0723-1-0 8
0	2	ROLL PIN	9006531 7
1	1	PIN, SPRING, MOTOR BIAS	C-MD-740-1934-0-0 6
0	1	PIN, ANCHOR	C-MD-7410539-0-0 5
A/R	A/R	LOCTITE IS-06	4
1	1	SHIM, SKEW	B-MD-7410553-0-0 3
1	1	BUSHING, ROCKER	B-MD-7409938-0-0 2
0	1	BASE, CASSETTE TRANS (MACH)	E-MD-7409835-0-0 1

FIRST USED ON OPTION/MODEL		PARTS LIST	
TU60		digital EQUIPMENT CORPORATION	
UNLESS OTHERWISE SPECIFIED DIMENSION IN INCHES. TOLERANCES	DRN. <i>A. De...</i> DATE 4-15-72	BASE ASSY	
DECIMALS ANGLES	CHK'D. <i>A. De...</i> DATE 11/1/72		
XXX - .006 XX - .02 X - .1	ENG. <i>W. J....</i> DATE 11/1/72		
	PROJ. ENG. <i>W. J....</i> DATE 11/1/72		
REMOVE BURRS AND BREAK SHARP CORNERS SURFACE QUALITY	DATE 11/1/72	DIA 7410640-0-0 C	
MATERIAL	NEXT HIGHER ASSY.	SCALE	SHEET OF 1
FINISH		DIST.	

REV	DATE	BY	CHK	DESCRIPTION
A	5-7-71	M. LEIS	H. DRAB	TU60-00012
B	9-10-73	M. LEIS	H. DRAB	TU60-00013
C	5-7-77	M. LEIS	H. DRAB	7410640-00001

DEC FORM NO. 101 1968

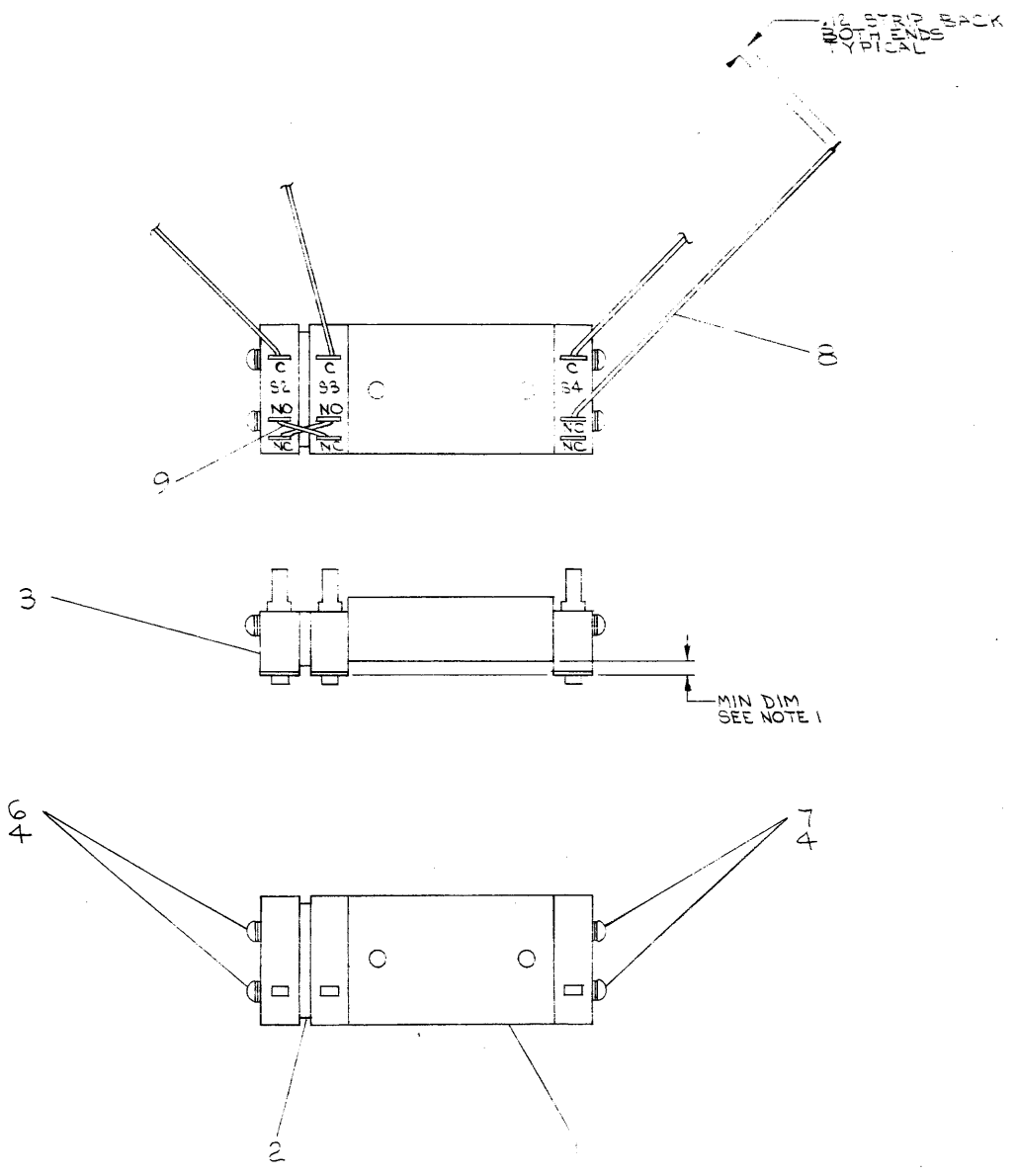
This drawing and specifications, herein, are the property of Digital Equipment Corporation and shall not be reproduced or copied or used in whole or in part as the basis for the manufacture or sale of items without written permission.

COPYRIGHT © 1972, DIGITAL EQUIPMENT CORPORATION

9107560-01 2

WIRE TABLE							
ITEM NO.	DESCRIPTION	FROM	TO	LENGTH			
8	BRN 26	S2-C	SOLDER	5"			
9	BUSS 22	S2-NO	SOLDER	.75"			
9	BUSS 22	S2-NC	SOLDER	.75"			
8	BRN 26	S3-C	SOLDER	5"			
8	BRN 26	S4-C	SOLDER	6"			
8	BRN 26	S4-NO	SOLDER	4.5"			

NOTES:
1. SWITCHES MUST BE ADJUSTED AT ASSY TO OBTAIN MINIMUM DIMENSION FROM BOTTOM SURFACE OF SWITCHES TO BOTTOM SURFACE OF SWITCH BLOCK.



QTY.	DESCRIPTION	PART NO.	ITEM NO.
A/R	WIRE, BUSS, #22 AWG	9107560-01	9
A/R	WIRE #26 AWG, 1PVC, STRD	9107636-11	8
2	SCR, PHL HD PAN 2-56 X 1/2 SST	9006005-1	7
2	SCR, PHL HD PAN 2-56 X 3/4 SST	9006006-1	6
4	WASHER, 2501, 0.94 X 0.20 THK	9008877	5
4	WASHER, INT TOOTH #2 SST	9006631	4
3	SWITCH, MICRO	4209782	3
1	SPACER, MICRO SWITCH	CMD-7409935-00	2
1	BLOCK, SWITCH	CMD-7409926-00	1

FIRST USED ON OPTION/MODEL		DATE		DATE		DATE		DATE		DATE	
7-28		11/2/72		11/2/72		11/2/72		11/2/72		11/2/72	
UNLESS OTHERWISE SPECIFIED DIMENSION IN INCHES TOLERANCES		DRN		CHK'D		ENG		PROJ. ENG		PROD.	
DECIMALS	ANGLES	DATE		DATE		DATE		DATE		DATE	
.XX - .06	± .00	11/2/72		11/2/72		11/2/72		11/2/72		11/2/72	
REMOVE BURRS AND BREAK SHARP CORNERS SURFACE QUALITY		NEXT HIGHER ASSY		SCALE		SHEET		REV.		REV.	
MATERIAL		D-7		7009141-0-0		A		A		A	
FINISH		D-7		7009141-0-0		A		A		A	

CHK	CHANGE NO	REV
	TUCO-00012	A
	M LEIS	

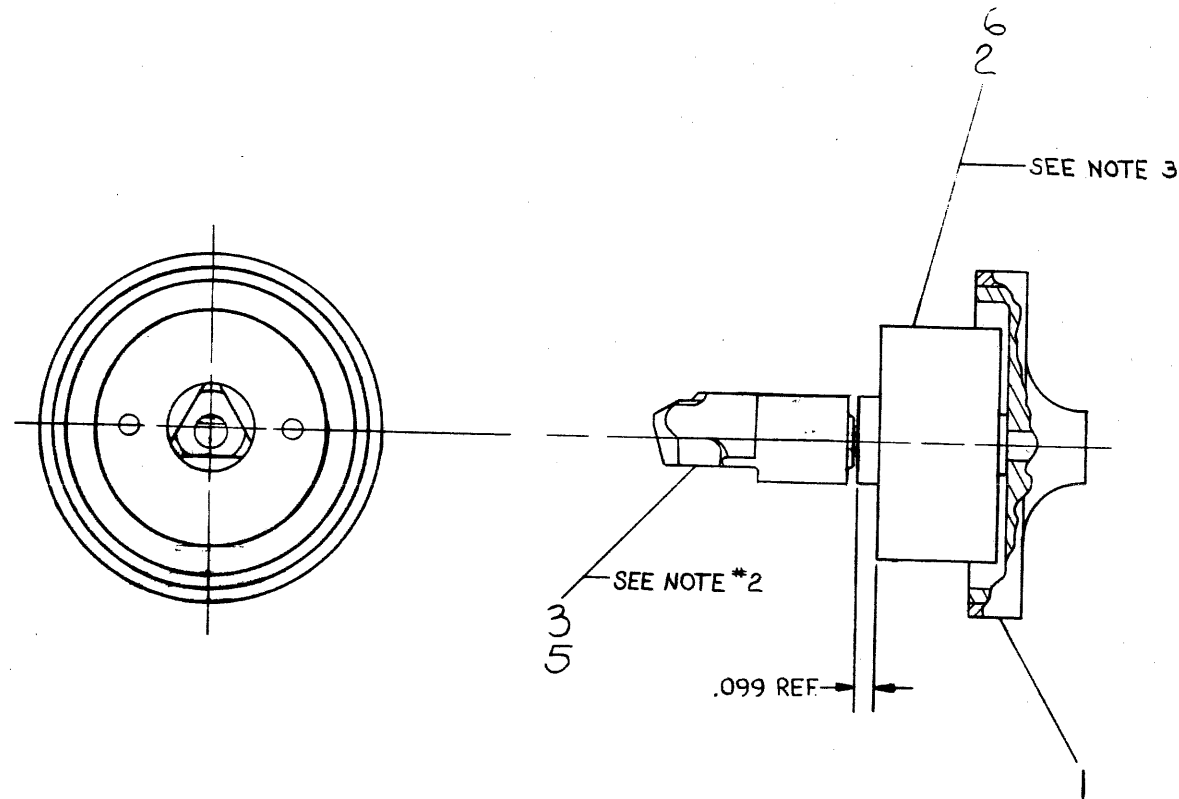
REVISIONS

REV. A
NUMBER
DAD7009141-0-0

B

A

This drawing and specifications, herein, are the property of Digital Equipment Corporation and shall not be reproduced, stored in a retrieval system, or used in whole or in part as the basis for the manufacture or sale of items without written permission.
1972



- NOTES:**
- ITEM #3 TO BUTT AGAINST SHOULDER OF SPINDLE.
 - LOCTITE TO BE USED BETWEEN SPINDLE SHAFT AND I.D. OF COUPLING. APPLY LOCTITE TO I.D. OF COUPLING AND SLIP ON SPINDLE SHAFT. BE SURE LOCTITE DOES NOT RUN DOWN TO BEARING.
 - APPLY DOW CORNING *44 MEDIUM GREASE BETWEEN SPINDLE SHAFT & I.D. OF BEARING. APPLY SPARINGLY.

CHK	CHANGE NO.	REV.
XX	TU60-00004	A
GP	12/12/72	
W. BENSON		
W. BENSON	12-15-72	
RM	TU60-00008	B
S. Gilchrist	3-18-73	
V. DEMPSEY		
W. Benson	3-27-73	
XX	TU60-00013	C
J. Marking	5-6-74	
H. DRAB		
W. Benson	5-6-74	
EB	TU60-00016	D
Ch. Drab	8-7-78	
H. DRAB		
W. Benson	8-11-75	

QTY.	DESCRIPTION	PART NO.	ITEM NO.
A/R	GREASE, DOW CORNING *44 MED		6
A/R	LOCTITE IS 150		5
1	SCREW, SET, #2-56	90092-74	4
1	COUPLING, CASSETTE DRIVE	D-PS-1211279-0-0	3
1	BEARING	C-MD-7410692-0-0	2
1	PULLEY, DRIVE ASSY	C-IA-7409914-0-0	1

FIRST USED ON OPTION/MODEL TU60	PARTS LIST		
UNLESS OTHERWISE SPECIFIED DIMENSION IN INCHES. TOLERANCES	DRN: <i>W. Benson</i> DATE: 9/11/72 CHK'D: <i>W. Benson</i> DATE: 10/25/72 ENG: <i>W. Benson</i> DATE: 10/25/72 PROJ. ENG. DATE: 10/25/72 PREP: <i>W. Benson</i> DATE: 10/25/72	digital EQUIPMENT CORPORATION MAYNARD MASSACHUSETTS	
DECIMALS: .XXX = .005, .XX = .02, .X = .1 ANGLES: ±0° 30' REMOVE BURRS AND BREAK SHARP CORNERS SURFACE QUALITY	TITLE: SPINDLE ASSY		
MATERIAL: NEXT HIGHER ASSY.	D-AD-7009014-0-0	SIZE CODE: C	NUMBER: AD 7009146-0-0
FINISH: S	SCALE: 2/1	SHEET: 1	OF: 1

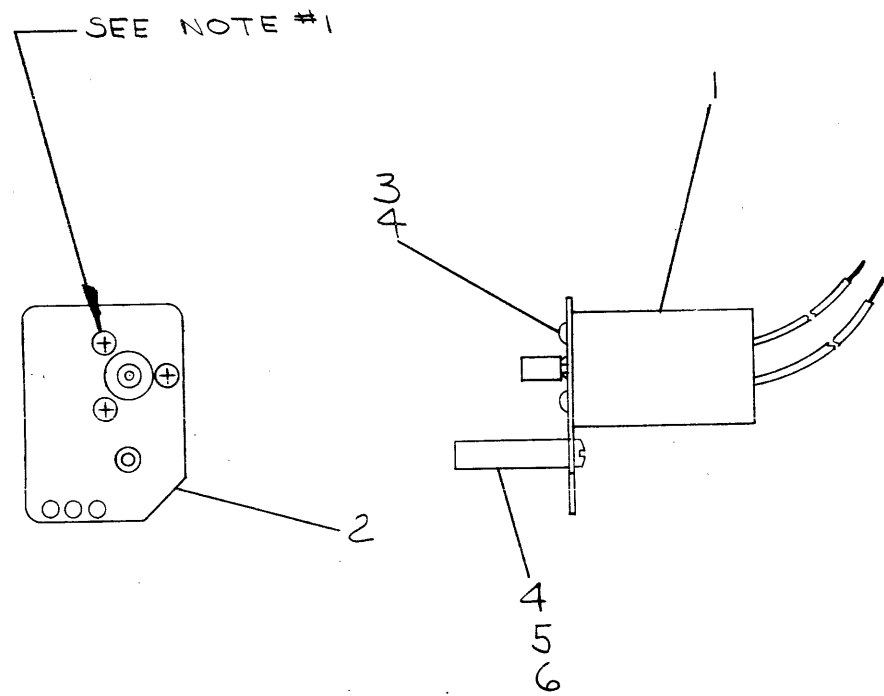
BRUNING 40-107 15968

DEC FORM NO. DRC 100-A

REV. D
NUMBER C AD 7009146-0-0

This drawing and specifications, herein, are the property of Digital Equipment Corporation and shall not be reproduced or copied or used in whole or in part as the basis for the manufacture or sale of items without written permission.

NOTES:
1: LOCTITE (#4) TO BE APPLIED TO
THREADS OF ITEMS #3 & #5.



QTY.	DESCRIPTION	PART NO.	ITEM NO.
1	PIVOT, MOTOR	GMD-7409915-0-0	6
1	SCR, SLOT HD PAN	9009277	5
A/R	LOCTITE 242		4
3	SCR, PHL PAN HD 4-40-1/4	9008301-1	3
1	MOUNT, MOTOR	GMD-7409910-0-0	2
1	DRIVE MOTOR ASSY	C-IA-7009139-0-0	1

FIRST USED ON OPTION/MODEL	QTY.	DESCRIPTION	PART NO.	ITEM NO.
TU60				
PARTS LIST				
UNLESS OTHERWISE SPECIFIED DIMENSION IN INCHES. TOLERANCES		DRN. <i>K.S.</i>	DATE 9-12-72	digital EQUIPMENT CORPORATION MAYNARD, MASSACHUSETTS TITLE MOTOR MOUNT ASSY.
DECIMALS	ANGLES	CHK'D. <i>W. Major</i>	DATE 11/1/72	
.XXX = .005	±0° 30'	ENG. <i>W. B. Wood</i>	DATE 11/1/72	
.XX = .02		PROJ. ENG. <i>W. B. Wood</i>	DATE 11/6/72	
REMOVE BURRS AND BREAK SHARP CORNERS SURFACE QUALITY		DATE 11/1/72		
MATERIAL	NEXT HIGHER ASSY.		SIZE CODE	NUMBER
	D-AD-7009014-C-0		C AD	7009140-0-0
FINISH	SCALE	SHEET	OF	REV.
				A

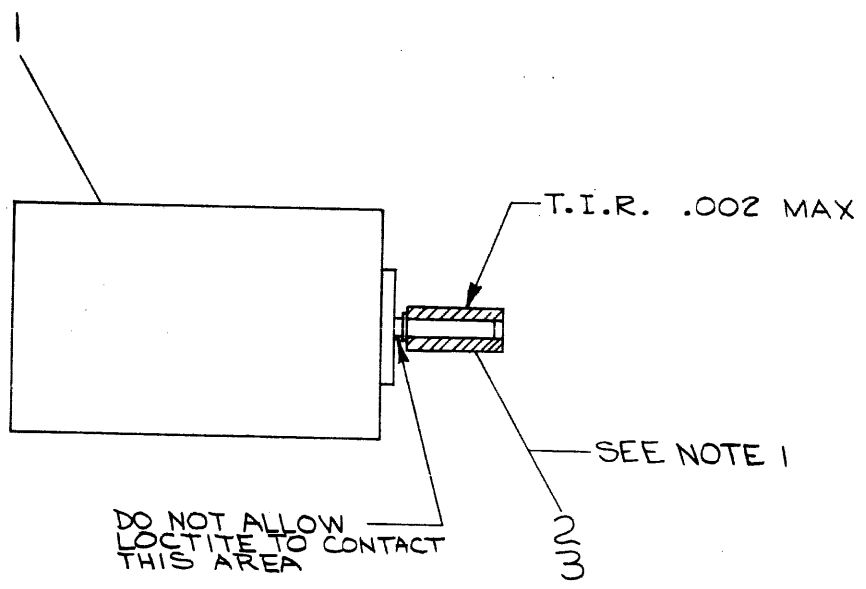
REV.	CHANGE NO.	DATE	BY
A	TU60-00012	9-7-73	M. LEIS
		9/10/73	

BRUNING 40-107 15968

REV. A
 NUMBER 7009140-0-0
 SEE CODE C

This drawing and specifications, herein, are the property of Digital Equipment Corporation and shall not be reproduced or copied or used in whole or in part as the basis for the manufacture or sale of items without written permission.

NOTES:
 1. SLEEVE (#2) TO BE PRESSED ON MOTOR SHAFT TO "E" RING. LOCTITE TO BE APPLIED SPARINGLY TO INSIDE OF SLEEVE BEFORE ASSEMBLY.



BRUNING 40-107 15968	REV. A
CHG. TU60-00012	REV. A
DATE 9-7-73	
M. LEIS	

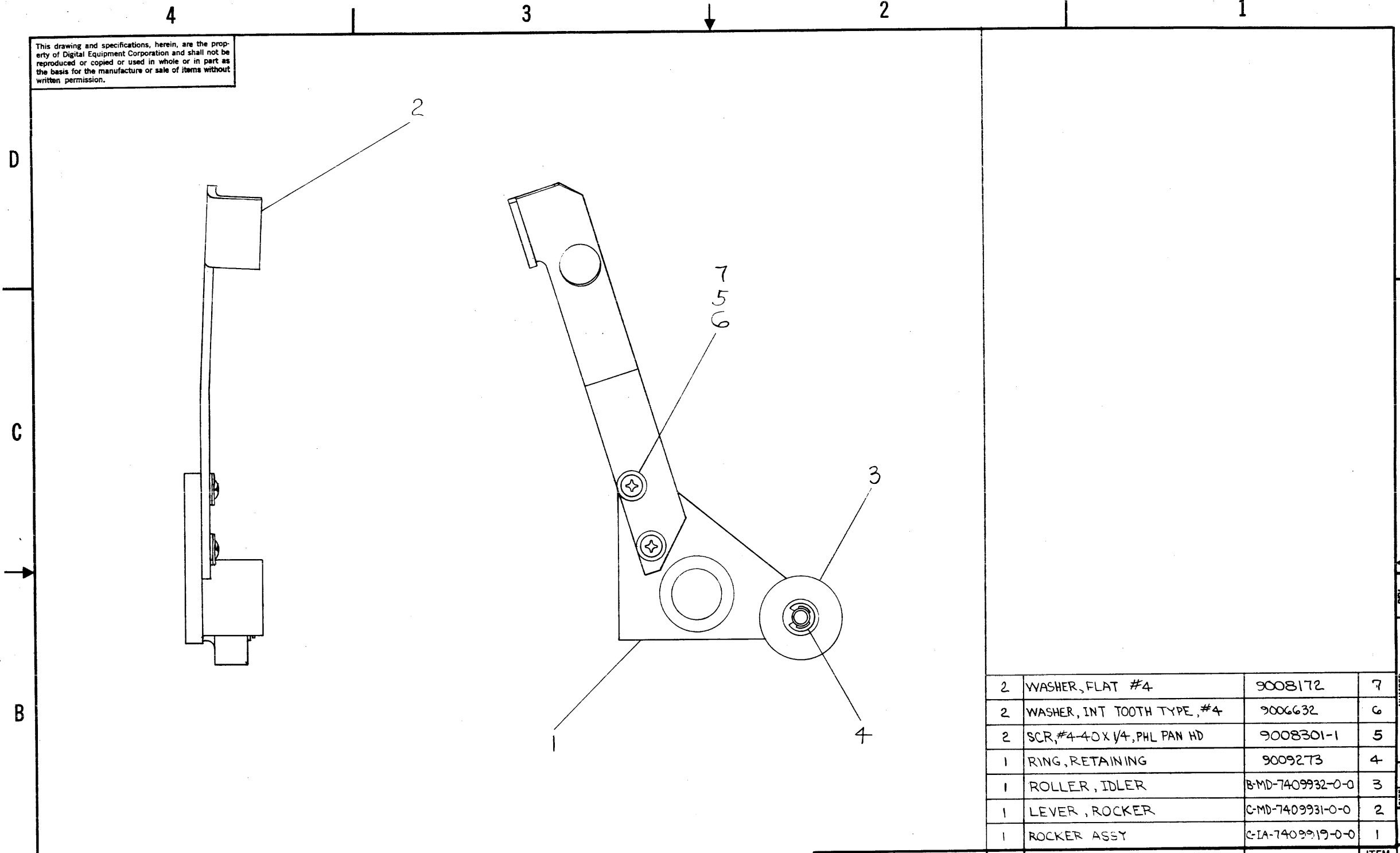
DEC FORM NO. DRC 100-A

A/R	LOCTITE IS-150		3
1	SLEEVE, MOTOR	C-MD-7409913-0-0	2
1	MOTOR	1211111	1

FIRST USED ON OPTION/MODEL	QTY.	DESCRIPTION	PART NO.	ITEM NO.
TU60				
PARTS LIST				
UNLESS OTHERWISE SPECIFIED DIMENSION IN INCHES. TOLERANCES	DRN. <i>F. E. ...</i>	DATE 10-5-72	digital EQUIPMENT CORPORATION MAYNARD, MASSACHUSETTS TITLE DRIVE-MOTOR ASSY	
DECIMALS .XXX = .005 .XX = .02 .X = .1	CHK'D. <i>W. ...</i>	DATE 10/25/72		
ANGLES ±0° 30'	ENG. <i>W. ...</i>	DATE 10/25/72		
REMOVE BURRS AND BREAK SHARP CORNERS SURFACE QUALITY	PROJ. ENG. <i>M. ...</i>	DATE 9/27/72		
MATERIAL	NEXT HIGHER ASSY.		SIZE CODE	NUMBER
FINISH	C-AD-7409913-0-0		C IA	7009139-0-0
	SCALE 2/1			REV. A
	SHEET 1 OF 1		DIST. ()	

REV. A
 NUMBER 7009139-0-0
 SIZE CODE C IA

This drawing and specifications, herein, are the property of Digital Equipment Corporation and shall not be reproduced or copied or used in whole or in part as the basis for the manufacture or sale of items without written permission.



QTY.	DESCRIPTION	PART NO.	ITEM NO.
2	WASHER, FLAT #4	9008172	7
2	WASHER, INT TOOTH TYPE, #4	9006632	6
2	SCR, #4-40 X 1/4, PHL PAN HD	9008301-1	5
1	RING, RETAINING	9009273	4
1	ROLLER, IDLER	B-MD-7409932-0-0	3
1	LEVER, ROCKER	C-MD-7409931-0-0	2
1	ROCKER ASSY	C-IA-7409919-0-0	1

FIRST USED ON OPTION/MODEL TU60		PARTS LIST	
UNLESS OTHERWISE SPECIFIED DIMENSION IN INCHES. TOLERANCES	DRW. <i>Z. Carbery</i> CHK'D <i>W. Major</i>	DATE 9/12/72	digital EQUIPMENT CORPORATION MAYNARD MASSACHUSETTS TITLE LEVER ASSY
DECIMALS ANGLES	ENG. <i>W. Major</i>	DATE 11/1/72	
.XXX = .005 .XX = .02 .X = .1	PROJ. ENG. <i>W. Major</i>	DATE 11/6/72	
REMOVE BURRS AND BREAK SHARP CORNERS SURFACE QUALITY ✓	PROG. <i>W. Major</i>	DATE 11/1/72	
MATERIAL SS	NEXT HIGHER ASSY.	SIZE CODE C AD 7009148-0-0	NUMBER 7009148-0-0
FINISH	SCALE 2/1	DIST.	REV.
SHEET 1 OF 1			

BRUNING 40-107 15968	REVISIONS	REV.
CHK	CHANGE NO.	

DIGITAL EQUIPMENT CORPORATION
MAYNARD, MASSACHUSETTS

PARTS LIST

MADE BY K. Gamache	CHECKED <i>[Signature]</i>	SECTION 1
DATE 22/SEPT/76	DATE 10 JAN 77	ISSUED SECT. 1
ENG <i>[Signature]</i>	PROD <i>[Signature]</i>	
DATE 10 JAN 77	DATE 10 JAN 77	

ITEM NO	DWG NO. / PART NO.	DESCRIPTION	QUANTITY / VARIATION			
			TA36-DA 115V - 4K	TA36-DB 230V - 4K	TA36-DC 115V - 8K	TA36-DD 230V - 8K
1	D-UA-TU60-DA	TU60 UNIT ASSY (115V)	1	-	1	-
2	D-UA-TU60-DB	TU60 UNIT ASSY (230V)	-	1	-	1
3	D-UA-LASXX-AE-0	MODIFIED BOARD ASSY	1	1	1	1
4	B-UA-H851-0-0	H851 EDGE CONNECTOR	1	1	1	1
5	C-AD-7010001-8-0	JUMPER (LA36)	1	1	1	1
6	C-IA-7008612-1F-0	CABLE, KEYBOARD	1	1	1	1
7	D-IA-7013370-0-0	CABLE, 24 COND DIP SOCKET	1	1	1	1
8	C-IA-7417522-0-0	BRACKET, TA36	2	2	2	2
9	C-MD-7417653-0-0	CLAMP, TA36	1	1	1	1
10	M7742	CASSETTE INTERFACE MODULE	1	1	1	1
11	M7743	PROM/ROM MODULE	1	1	1	1
12	9009611	NUT, PUSH-IN, NYLON	4	4	4	4
13	9009612-01	SCR, SELF-TAP #10-32 X .75 LG	4	4	4	4
14	9009776	WASHER, FLAT #10	4	4	4	4
15	9006418	SCR, PAN HD #8-32 X .38 LG	2	2	2	2
16	9006026-01	SCR, PHL PAN HD #6-32 X .75 LG	4	4	4	4
17	9006707	WASHER, NYLON FLAT #6	8	8	8	8
18	9007613	SPACER, FIBER RND, .138 ID X .437 LG	4	4	4	4
19	9008213	SPACER, FIBER RND, #6-32 X .375 LG	2	2	2	2
20	9006035-03	SCR, PHL TRUSS HD #8-32 X .25 LG	2	2	2	2
21	9006634	WASHER, LOCK INT TOOTH #8	4	4	4	4
22	9009332	SPACER, HEX ALUM .164 ID X .125 LG	2	2	2	2

TITLE TA36 SHIP LIST	ASSY NO. E-UA-TA36-0-0	SIZE A	CODE PL	NUMBER TA36-0-2	REV	ECC NO
SHEET 1 OF 2		DIST.				

DEC FORM DEC 16 (325) 1031 N870
DRA 110

DIGITAL EQUIPMENT CORPORATION
MAYNARD, MASSACHUSETTS

PARTS LIST

MADE BY K. Gamache	CHECKED <i>[Signature]</i>	SECTION 1
DATE 22/SEPT/76	DATE 10 JAN 77	ISSUED SECT. 1
ENG <i>[Signature]</i>	PROD <i>[Signature]</i>	
DATE 10 JAN 77	DATE 10 JAN 77	

ITEM NO	DWG NO. PART NO.	DESCRIPTION	QUANTITY / VARIATION			
			TA36-DA 115V - 4K	TA36-DB 230V - 4K	TA36-DC 115V - 8K	TA36-DD 230V - 8K
23	9006036-01	SCR, PHL FLAT HD #8-32 X .31 LG	2	2	2	2
24	9009316-01	O-RING, NEOPRENE BLACK	6	6	6	6
25	9008081	WASHER, SPACER	8	8	8	8
26	1213715	CLAMP, CABLE	1	1	1	1
27	36-11226	CASSETTE TAPE	1	1	1	1
28	MP00252	TA36 PRINT SET	1	1	1	1
29						
30						
31	EE-TA36-OP-001	TA36 USER'S MANUAL	1	1	1	1
32	36-13885	DECAL, TA36 OPERATOR	1	1	1	1

TITLE TA36 SHIP LIST	ASSY NO. E-UA-TA36-0-0	SIZE A	CODE PL	NUMBER TA36-0-2	REV	ECC NO
SHEET 2 OF 2		DIST.				

DEC FORM DEC 16 (325) 1031 N870
DRA 110