

digital

LA 36

Engineering Drawings

Digital Equipment Corporation

The material herein is for information purposes only and is subject to change without notice. Digital Equipment Corporation assumes no responsibility for any errors which may appear herein.

These drawings and specifications herein are the property of Digital Equipment Corporation and shall not be reproduced or copied or used in whole or in part as the basis for the manufacture or sale of items without written permission.

Copyright © 1975, Digital Equipment Corporation



DRAWING DIRECTORY

"THIS DRAWING AND SPECIFICATIONS, HEREIN, ARE THE PROPERTY OF DIGITAL EQUIPMENT CORPORATION AND SHALL NOT BE REPRODUCED OR COPIED OR USED IN WHOLE OR IN PART AS THE BASIS FOR THE MANUFACTURE OR SALE OF ITEMS WITHOUT WRITTEN PERMISSION. COPYRIGHT © 1974, DIGITAL EQUIPMENT CORPORATION"

CUSTOMER PRINT SET INDEX

THIS IS PRINT SET

LA36 OPTION ARRANGEMENT
 LA36 POWER SCHEMATIC
 LOGIC BOARD (LA36)
 LA36 POWER BOARD
 LKØ2 KEY BOARD
 LOGIC BOARD (LA36)
 PACKAGING INSTRUCTIONS
 LOGIC BOARD (LA36)

SEQUENCE

D-AR-LA36-Ø-1
 D-CS-LA36-Ø-5
 D-CS-M7722-Ø-1
 D-CS-5410805-0-1
 D-CS-5410736-0-1
 D-CS-M7723-Ø-1
 A-SP-3700131-0-0
 D-CS-M7728-Ø-1

SEQUENCE

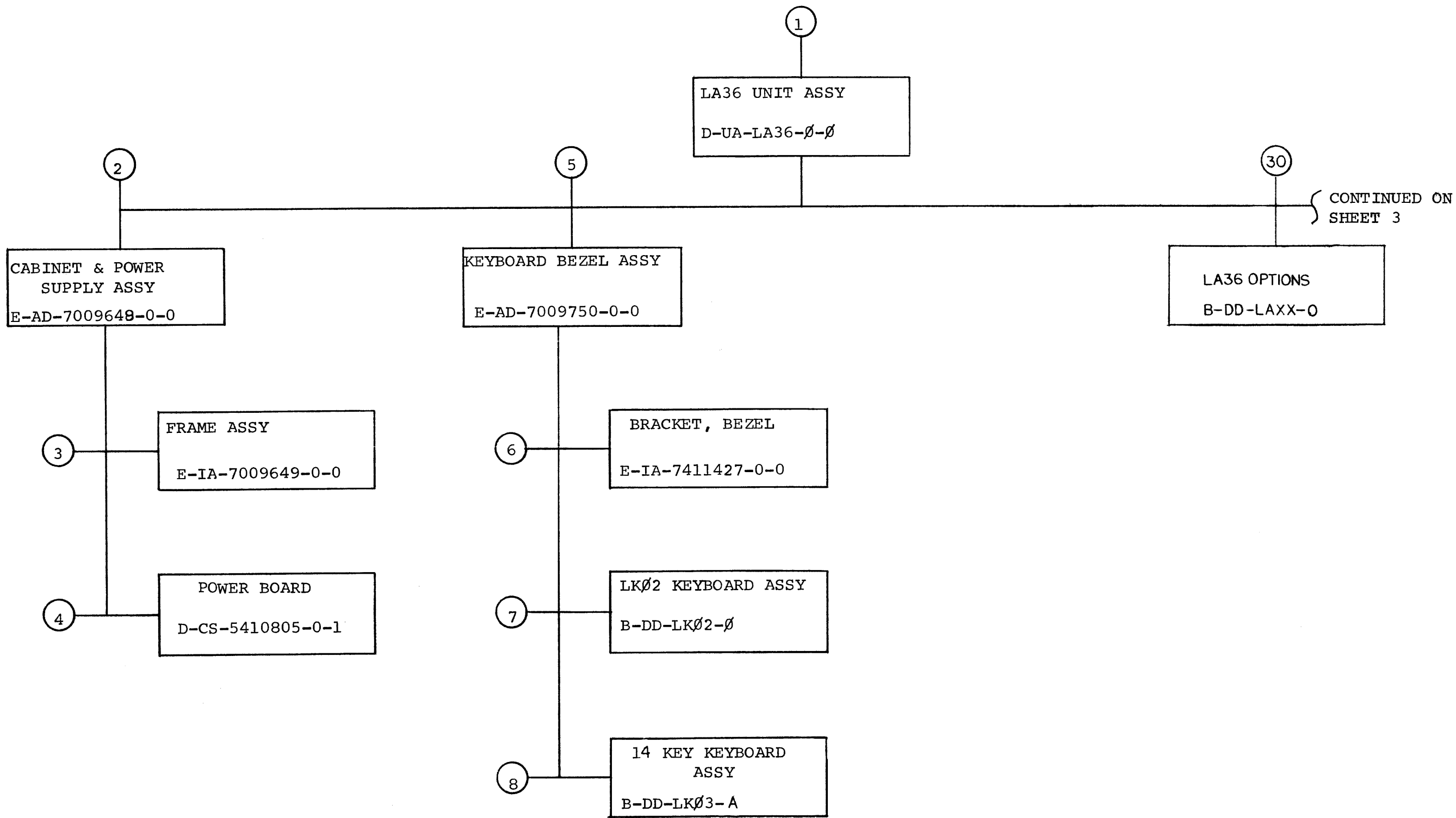
77

UNIT VARIATIONS		PRINT SET			
VAR	TITLE				
LA36-CE	LA36 NUM PAD PAPER OUT 60 HZ 90-132 VOLT	X			
LA36-CF	LA36 NUM PAD. PAPER OUT 60 HZ 180-264 VOLT	X			
LA36-CH	LA36 NUM PAD, PAPER OUT 50 HZ 90-132 VOLT	X			
LA36-CJ	LA36 NUM PAD. PAPER OUT. 50 HZ 180-264 VOLT	X			
LA36-DE	LA36 60 HZ 90-132 VOLT	X			
LA36-DF	LA36 60 HZ 180-264 VOLT	X			
LA36-DH	LA36 50 HZ 90-132 VOLT	X			
LA36-DJ	LA36 50 HZ 180-264 VOLT	X			

DEC 16 1975 0621A-R972

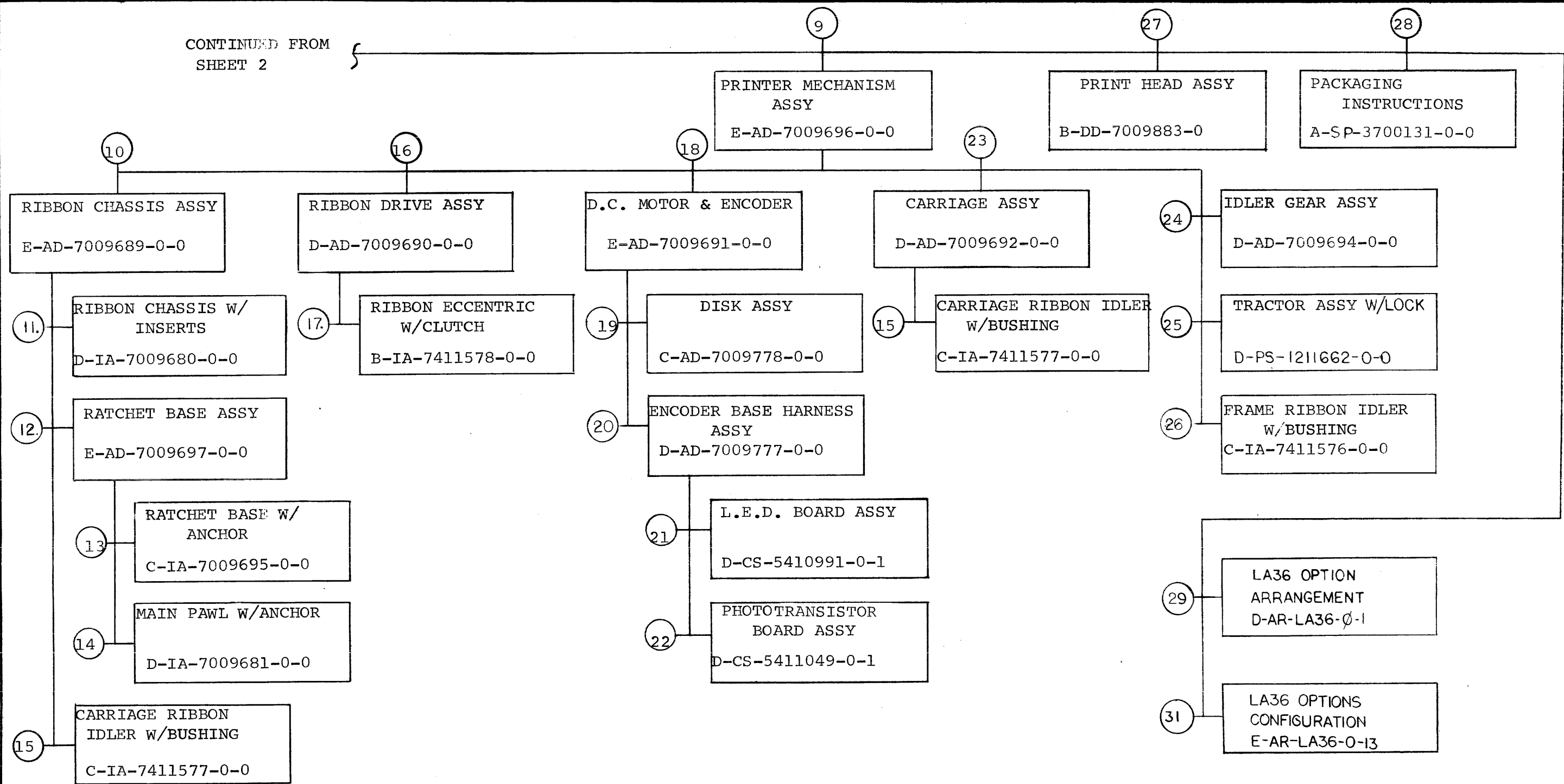
REVISIONS	DATE	CHG. NO.	REV
	6.2.72	LA36-165	L
	8.2.72	LA36-172	M
	8.2.72	LA36-180	N

USED ON OPTION/MODEL		DRN. McCARTHY	DATE 6/4/74	TITLE DECWRITER II DRAWING DIRECTORY		
		CHK'D. McCARTHY	DATE 6/28/74			
		PROJ ENG. BICKOFF	DATE 7/11/74			
		PROD. CORTYZ	DATE 7/14/74			
		FIELD SERV. SAVIN	DATE 7/15/74	SIZE B	CODE DD	NUMBER LA36 Ø
SHEET 1 OF 7		DIST				REV N



TITLE DECWRITER II DRAWING DIRECTORY	SHEET 2 OF 7	SIZE CODE B DD	NUMBER LA36-Ø	REV N
--	----------------------------	--------------------------	-------------------------	-----------------

CONTINUED FROM
SHEET 2



TITLE	SHEET OF	SIZE CODE	NUMBER	REV
DECWRITER II DRAWING DIRECTORY	3 OF 7	B DD	LA36-0	N

CUSTOMER PRINT SET		MECHANICAL					CUSTOMER PRINT SET		MECHANICAL						
	MFG. SET	FIND NO.	DRAWING NO.	REV	NO OF SHT	DESCRIPTION	OPTION NO./FILE DATE		MFG. SET	FIND NO.	DRAWING NO.	REV	NO OF SHT	DESCRIPTION	OPTION NO./FILE DATE
		1	E-UA-LA36-Ø-Ø		3	LA36 UNIT ASSY			X	7	B-DD-LKØ2-Ø		3	LKØ2 KEYBOARD ASSY	
			A-PL-LA36-Ø-Ø		3	LA36 UNIT ASSY PARTS LIST		X			D-CS-5410736-0-1	#	2	LKØ2 KEY BOARD	
			E-MD-7411116-0-0		3	HOUSING									
			C-MD-7411818-0-0		1	CLIP, COVER									
			D-MD-7411430-0-0		1	PAPER GUIDE									
			C-PS-3611826-0-0		1	NAME PLATE			X	8	B-DD-LKØ3-A		3	LKØ3-A KEYBOARD ASSY	
			E-MD-7411122-0-0		2	COVER									
			D-AD-7011519-0-0		1	LA36 KEYBOARD CABLE									
			C-AD-7010001-0-0		1	JUMPER(LA36)				9	E-AD-7009696-0-0		2	PRINTER MECHANISM ASSY	
											A-PL-7009696-0-0		3	PRINTER MECHANISM ASSY P.L.	
											D-IA-7411072-0-0		1	PRINT BAR	
		2	E-AD-7009648-0-0		3	CABINET ASSY W/POWER SUPPLY					C-MD-7411033-0-0		1	CARRIAGE SHAFT	
			E-IA-7411120-0-0		1	DOOR, CABINET					B-MD-7411439-0-0		1	PIVOT, LOWER	
			C-MD-7413286		1	COVER, EMI FILTER					B-MD-7411103-0-0		1	PIVOT, RATCHET	
			D-IA-7009895-0-0		1	HARNESS, CAPACITOR					B-MD-7411108-0-0		1	BUSHING, PLAIN	
			C-MD-7411607-0-0		1	PLATE, COVER					C-MD-7411076-0-0		1	TRACTOR, SUPPORT SHAFT	
			D-AD-7009779-0-0		1	TRANSFORMER ASSY					C-MD-7411075-0-0		1	TRACTOR, DRIVE SHAFT	
			A-DC-7412548-0-0		1	FUSE RATING LABEL					C-MD-7411425-0-0		1	TRACTOR, SHAFT RETAINING BUSHING	
			C-IA-7009905-0-0		1	JUMPER					B-MD-7411098-0-0		1	COLLAR, SIDE PLATE	
			B-AD-7009673-0-0		1	POWER CORD ASSY					D-MD-7411441-0-0		1	HUB, CLUTCH	
											E-MD-7411440-0-0		1	GEAR, DRIVE CLUTCH	
											B-MD-7411443-0-0		1	WASHER, CLUTCH	
											D-MD-7411437-0-0		1	LINE FEED KNOB	
											B-MD-7411575-0-0		1	SHAFT, IDLER	
											B-MD-7411412-0-0		1	RETAINER, BUMPER SPRING	
											B-MD-7411816-0-0		1	SPRING, CARRIAGE BUMPER	
											E-IA-7411028-0-0		1	SIDE PLATE	
											B-MD-7412535-0-0		1	ADAPTER, LINE FEED	
		3	E-IA-7009649-0-0		1	FRAME ASSY									
			E-IA-7411125-0-0		1	END PANEL									
			E-IA-7411121-0-0		1	HOUSING, COMPONENT									
			C-IA-7411117-0-0		1	FOOT									
			E-IA-7411080-0-0		1	BASE									
			C-MD-7412019-0-0		1	ANGLE STIFFENING									
		4	D-CS-5410805-0-1			LA36 POWER BOARD									
			D-IA-7411077-0-0			HEATSINK									
		5	E-AD-7009750-0-0		1	KEYBOARD BEZEL ASSY									
		6	E-IA-7411427-0-0		1	BRACKET, BEZEL									
			C-SS-7411427-0-1		1	KEYBOARD BEZEL SILK SCREEN									
CUSTOMER PRINT SET CODES		X = PRINT OF DOCUMENT INCLUDED IN PRINT SET					TITLE				SIZE	CODE	NUMBER	REV	
		C = INCLUDES ALL PRINTS INDICATED ON DOCUMENT					DECWRITER II DRAWING DIRECTORY								
		S = CONFIDENTIAL AUTHORIZED SIGNATURE REQUIRED					SHEET 4 OF 7			B	DL	LA36-Ø	N		

CUSTOMER PRINT SET		MECHANICAL					CUSTOMER PRINT SET		MECHANICAL						
	MFG. SET	FIND NO.	DRAWING NO.	REV	NO OF SHT	DESCRIPTION	OPTION NO./FILE DATE		MFG. SET	FIND NO.	DRAWING NO.	REV	NO OF SHT	DESCRIPTION	OPTION NO./FILE DATE
		10	E-AD-7009689-0-0		1	RIBBON CHASSIS ASSY				15	C-IA-7411577-0-0		1	CARRIAGE RIBBON IDLER W/BUSHING	
			C-MD-7411090-0-0		1	SPRING, MAIN PAWL					C-MD-7411102-0-0		1	IDLER, CARRIAGE RIBBON	
			C-MD-7411105-0-0		1	SPRING, UPPER PAWL									
			D-MD-7411048-0-0		1	DRIVER, SPOOL									
			D-MD-7411432-0-0		1	RATCHET, WHEEL				16	D-AD-7009690-0-0		1	RIBBON DRIVE ASSY	
			B-IA-7411405-0-0		1	DISK, FRICTION					D-MD-7411113-0-0		1	BRACKET, RIBBON DRIVE	
			B-MD-7411098-0-0		1	COLLAR, SIDE PLATE					C-MD-7411084-0-0		1	ROD, END	
			B-MD-7411106-0-0		1	WASHER, BRAKE					B-MD-7411068-0-0		1	SHAFT, RIBBON IDLER	
			B-MD-7411061-0-0		1	WASHER, RATCHET					D-MD-7411035-0-0		1	PULLEY, TIMING	
			D-MD-7411058-0-0		1	INTERPOSER					C-MD-7411124-0-0		1	CLAMP, COLLAR	
			C-MD-7411419-0-0		1	GUIDE, SHOE					B-MD-7411123-0-0		1	WASHER, ECCENTRIC	
			D-MD-7411060-0-0		1	SENSOR, REVERSE					D-MD-7411046-0-0		1	PUSH ROD	
			C-MD-7411087-0-0		1	SPRING, INTERPOSER					C-MD-7411426-0-0		1	SPRING, BACKSTOP	
											B-MD-7412536-0-0		1	HOLDER BEARING	
											C-IA-7412613-0-0		1	BEARING HOLDER W/BUSHING	
		11	D-IA-7009680-0-0		1	RIBBON CHASSIS W/INSERTS				17	B-IA-7411578-0-0		1	RIBBON ECCENTRIC W/CLUTCH	
			E-IA-7411057-0-0		1	CHASSIS, RIBBON					B-MD-7411069-0-0		1	ECCENTRIC, RIBBON	
			C-MD-7411431-0-0		1	STANDOFF, RETAINER									
			B-MD-7411433-0-0		1	PIN, INTERPOSER									
		12	E-AD-7009697-0-0		1	RATCHET BASE ASSY				18	E-AD-7009691-0-0		1	D.C. MOTOR & ENCODER ASSY	
			D-MD-7411054-0-0		1	PAWL, UPPER					C-IA-7009780-0-0		1	D.C. MOTOR	
			B-MD-7411063-0-0		1	PAWL, PIVOT					D-MD-7411035-0-0		1	PULLY, TIMING	
											C-MD-7411124-0-0		1	CLAMP, COLLAR	
											D-MD-7411416-0-0		1	DUST COVER, ENCODER	
											C-MD-7413351-0-0		1	ADAPTER, EC MOTOR	
											C-AD-7010762-0-0		1	EC. MOTOR ASSY	
		13	C-IA-7009695-0-0		1	RATCHET BASE W/ANCHOR				19	C-AD-7009778-0-0		1	DISK ASSY	
			D-MD-7411055-0-0		1	BASE, RATCHET					C-MD-7411414-0-0		1	HUB, ENCODER	
			B-MD-7411104-0-0		1	ANCHOR, SPRING					B-MD-7411757-0-0		1	ADHESIVE, ENCODER DISK	
											C-MD-7411088-0-0		1	DISK, ENCODER	
		14	D-IA-7009681-0-0		1	MAIN PAWL W/ANCHOR									
			D-MD-7411059-0-0		1	PAWL, MAIN									
			B-MD-7411104-0-0		1	ANCHOR, SPRING									

CUSTOMER PRINT SET CODES
X = PRINT OF DOCUMENT INCLUDED IN PRINT SET
C = INCLUDES ALL PRINTS INDICATED ON DOCUMENT
S = CONFIDENTIAL AUTHORIZED SIGNATURE REQUIRED

TITLE
DECWRITER II DRAWING DIRECTORY

SHEET 5 OF 7
SIZE CODE B DD
NUMBER LA36-Ø
REV N

CUSTOMER PRINT SET		MECHANICAL					CUSTOMER PRINT SET		MECHANICAL								
	MFG. SET	FIND NO.	DRAWING NO.	REV	NO OF SHT	DESCRIPTION	OPTION NO./FILE DATE	1		MFG. SET	FIND NO.	DRAWING NO.	REV	NO OF SHT	DESCRIPTION	OPTION NO./FILE DATE	
	X	20	D-AD-7009777-0-0		1	ENCODER BASE HARNESS ASSY					25	D-PS-1211662-04		1	TRACTOR W/LOCK L.H		
			D-MD-7411603-0-0		1	GIZZIE, ENCODER						D-PS-1211662-05		1	TRACTOR W/LOCK R.H		
			C-MD-7411089-0-0		1	MASK, ENCODER						C-MD-7414433-0-0		2	SCREW TRACTOR LOCK		
			B-MD-7411580-0-0		1	ADHESIVE, ENCODER MASK											
			D-IA-7009749-0-0		1	SENSOR HARNESS											
		21	D-CS-5410991-0-1		1	L.E.D. BOARD ASSY											
			D-IA-5010990-0-0		2	ENCODER P.C. BOARD											
		22	D-CS-5411049-0-1		1	PHOTOTRANSISTOR BOARD ASSY					26	C-IA-7411576-0-0		1	FRAME RIBBON IDLER W/BUSHING		
			D-IA-5010990-0-0		2	ENCODER P.C. BOARD						D-MD-7411085-0-0		1	IDLER. FRAME RIBBON		
		23	D-AD-7009692-0-0		1	CARRIAGE ASSY						27	B-DD-7009883-0		3	PRINT HEAD ASSY (LA36)	
			E-IA-7411109-0-0		2	CARRIAGE						28	A-SP-3700131-0-0		2	PACKAGING INSTRUCTION	
			D-MD-7411110-0-0		1	LEVER, CARRIAGE ADJUSTMENT						9009288		1	NUT. TEE		
			B-MD-7411107-0-0		1	BUSHING, ECCENTRIC						9009290-03		1	BOLT. HEX HEAD 3/8 - 16 x 3		
			B-MD-7411115-0-0		1	SHAFT, IDLER						3601252-0-0		1	CAUTION TAG		
												A-SP-9009634		2	STAIN RESISTANT TAPE (3M)		
												A SP 9905737-0 0		2	SUPPORTS CORNER		
												A-SP-9905734-0-0		2	STRAPPING POLYPROPYLENE		
												A-PS-9905651-0-1		2	BRACE WOOD 2 x 3		
												A-PS-9905601-0-0		2	CARTON FULL OVERLAP		
												A-PS-9905651-0-0		3	SKID WOOD		
												A-PS-9905639-0-0		2	BUILDUP LAMINATED		
												A-PS-9905129-39		4	POLY BAG 3MIL 28 x 25 x 32		
		15	C-IA-7411577-0-0		1	CARRIAGE RIBBON IDLER W/BUSHING											
			C-MD-7411102-0-0		1	IDLER, CARRIAGE RIBBON											
		24	D-AD-7009694-0-0		1	IDLER GEAR ASSY		X			X29	E-AR-LA36-0-1	#		LA36 OPTION ARRANGEMENT		
			B-MD-7411420-0-0		1	BRACKET, GEAR						D-IA-7412016-0-0		1	BASKET. PAPER		
			B-MD-7411424-0-0		1	TUBE, IDLER						C-AD-7009751-0-0		1	WHEEL ASSY		
												C-MD-7411826-0-0		1	WHEEL, CASTER		
												C-IA-7411824-0-0		1	BRACKET, WHEEL MOVING		
												C-MD-7411972-0-0		1	BRACKET, TABLE SUPPORT		
												A-PL-7009897-0-0		1	TABLE ASSY		
												D-PS-3411736-0-0		1	TABLE TOP		
								X			X31	E-AR-LA36-0-13	#	2	LA36 OPTIONS CONFIGURATION		

CUSTOMER PRINT SET
 X = PRINT OF DOCUMENT INCLUDED IN PRINT SET
 C = INCLUDES ALL PRINTS INDICATED ON DOCUMENT
 S = CONFIDENTIAL AUTHORIZED SIGNATURE REQUIRED

TITLE
 DECWRITER II DRAWING DIRECTORY

SHEET 6 OF 7

SIZE CODE
 B DD

NUMBER
 LA36-0

REV
 N

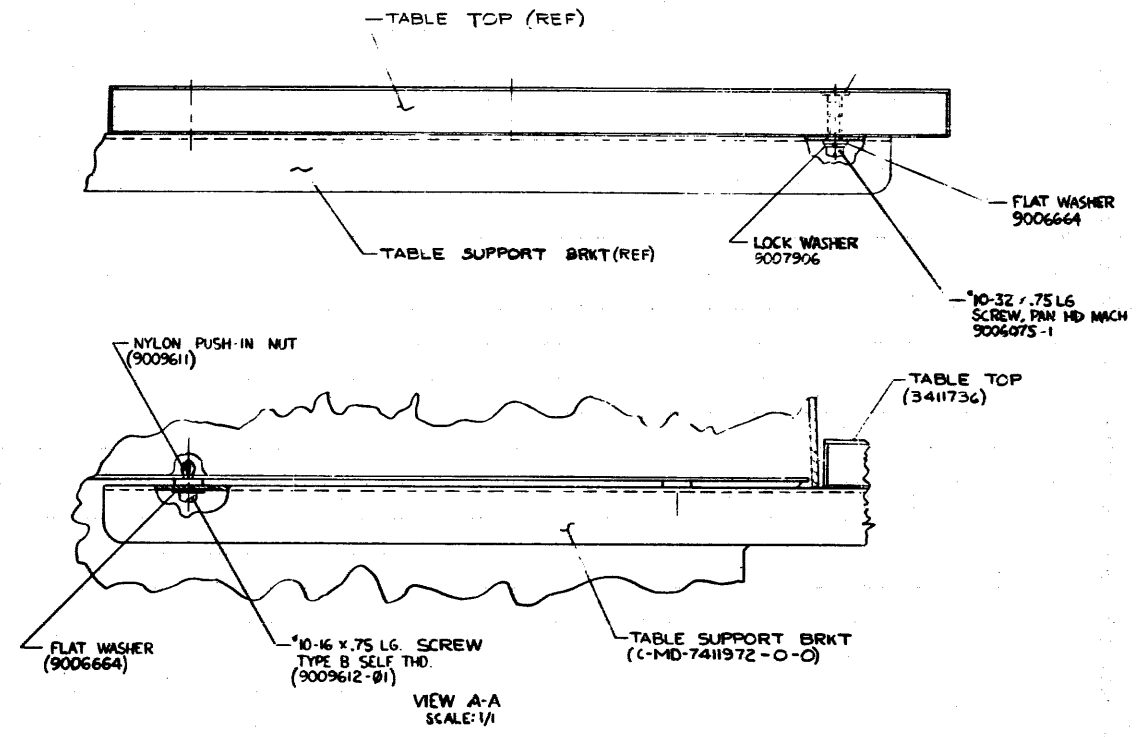
CUSTOMER PRINT SET		ELECTRICAL					CUSTOMER PRINT SET								
1	MFG. SET	FIND NO.	DRAWING NO.	REV	NO OF SHT	DESCRIPTION	OPTION NO./FILE DATE	MFG. SET	FIND NO.	DRAWING NO.	REV	NO OF SHT	DESCRIPTION	OPTION NO./FILE DATE	
	X	1	E-UA-LA36-0-0		3	LA36 UNIT ASSY									
			A-PL-LA36-0-0		3	LA36 UNIT ASSY P.L.									
			A-SP-LA36-0-2		13	LA36 TEST PLAN									
			A-SP-LA36-0-3		4	LA36 TEST PROCEDURE									
			A-MD-7412103-0-0		1	PKG. OF PAPER (100 SHEETS)									
			A-SP-LA36-0-7		25	LA36 PRINTER SPEC									
X	X		D-CS-LA36-0-5	#	1	LA36 POWER SCHEMATIC									
			A-SP-LA36-0-8		3	LA36 DC MOTOR ACCEPTANCE PROC.									
			A-SP-LA36-0-9		10	LA36 SPEC. & VERIFICATION PROC.									
			DEC-0-0-H36UG-A-D		-	OPERATING INST. (LA36)									
		2	E-AD-7009648-0-0		3	CABINET ASSY W/POWER SUPPLY									
X	X		D-CS-M7722-0-1	#	8	LOGIC BOARD (LA36)									
X	X		D-CS-M7723-0-1	#	8	LOGIC BOARD (LA36)									
		4	D-CS-5410805-0-1	#	1	LA36 POWER BOARD									
			D-IA-7411077-0-0		1	HEAT SINK									
		20	D-AD-7009777-0-0		1	ENCODER BASE HARNESS ASSY									
X	X	30	B-DD-LAXX-0	#	2	LA36 OPTIONS									
	X	32	A-SP-LA36-0-11	#	6	LA36 CHKOUT PROCEDURE FOR PDP 8 WM									
	X	33	A-SP-LA36-0-12	#	5	LA36 CHKOUT PROCEDURE FOR PDP-11 WM									
	X		A-SP-LA36-0-14	#	22	KIT 36-A TRANSFER SPECIFICATION									
CUSTOMER PRINT SET CODES		X = PRINT OF DOCUMENT INCLUDED IN PRINT SET C = INCLUDES ALL PRINTS INDICATED ON DOCUMENT S = CONFIDENTIAL AUTHORIZED SIGNATURE REQUIRED					TITLE DECWRITER II DRAWING DIRECTORY		SHEET 7 OF 7		SIZE CODE B DD		NUMBER LA36-0		REV N

DRB 108

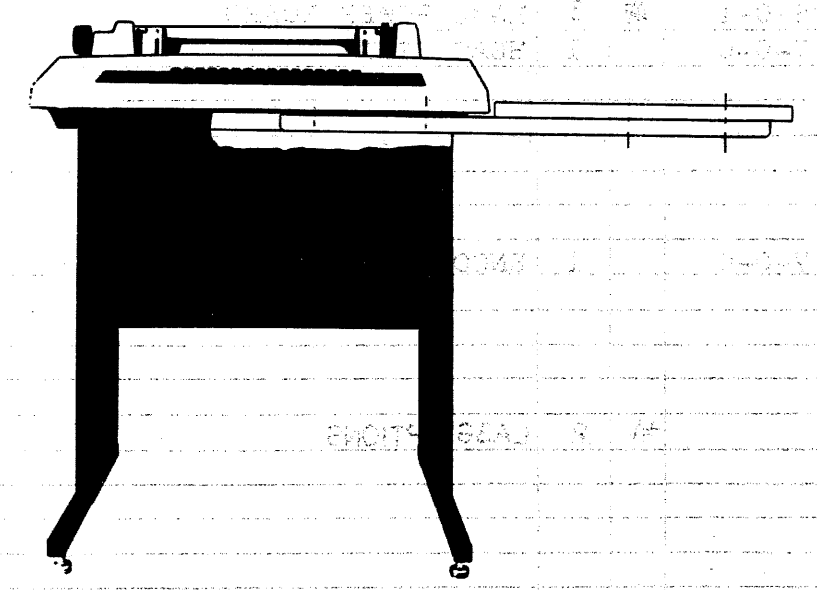
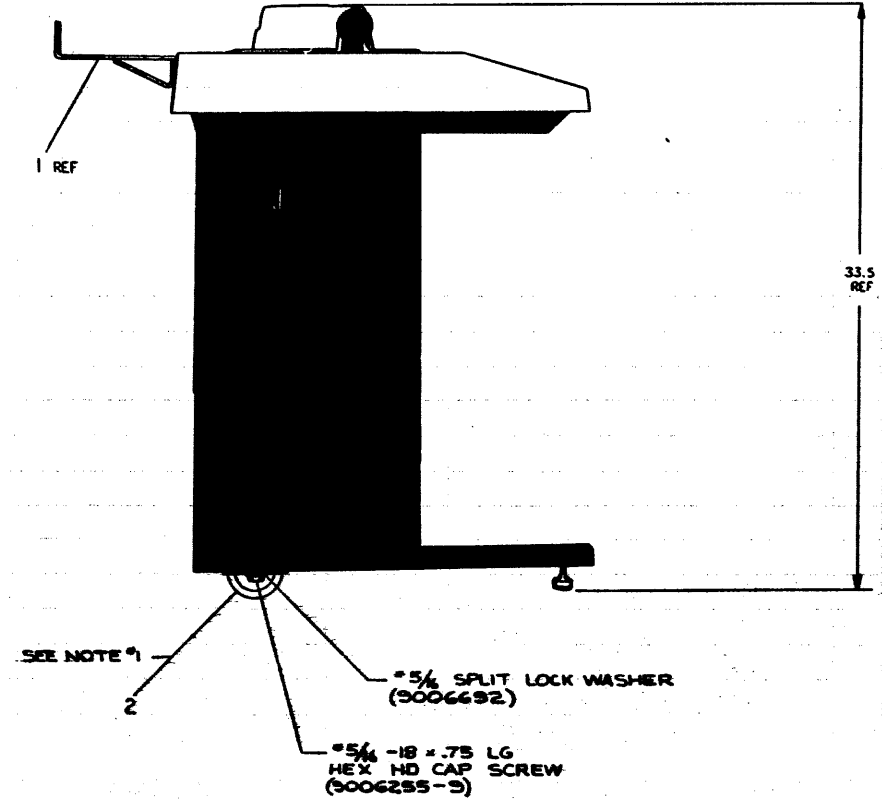
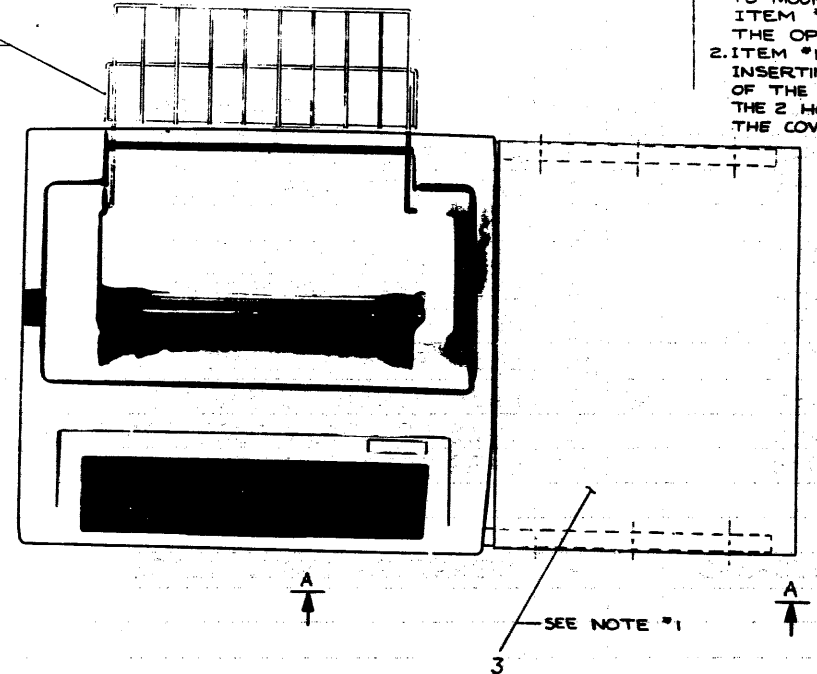
DEC 16-(325)-1062-2B-R972

THIS DRAWING AND SPECIFICATIONS HEREBY ARE THE PROPERTY OF DIGITAL EQUIPMENT CORPORATION AND SHALL NOT BE REPRODUCED OR COPIED IN WHOLE OR IN PART AS THE BASIS FOR THE MANUFACTURE OR SALE OF ITEMS WITHOUT WRITTEN PERMISSION. COPYRIGHT © 1970 DIGITAL EQUIPMENT CORPORATION

NOTES:
 1. ALL HARDWARE NECESSARY TO MOUNT ITEM #2 AND ITEM #3 IS SUPPLIED IN THE OPTIONS KIT.
 2. ITEM #1 IS INSTALLED BY INSERTING THE BENT ENDS OF THE "PAPER BASKET" INTO THE 2 HOLES PROVIDED ON THE COVER AS SHOWN.



SEE NOTE #2



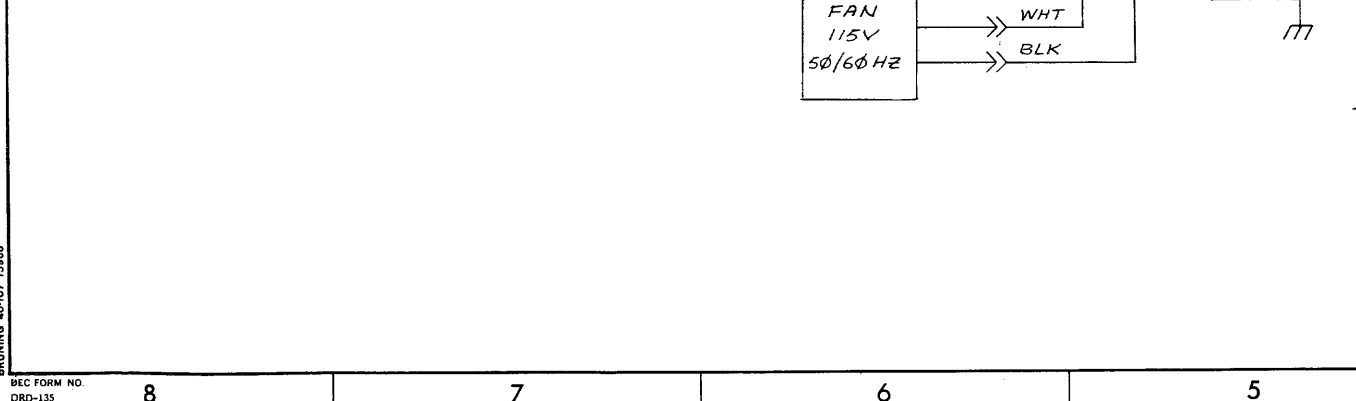
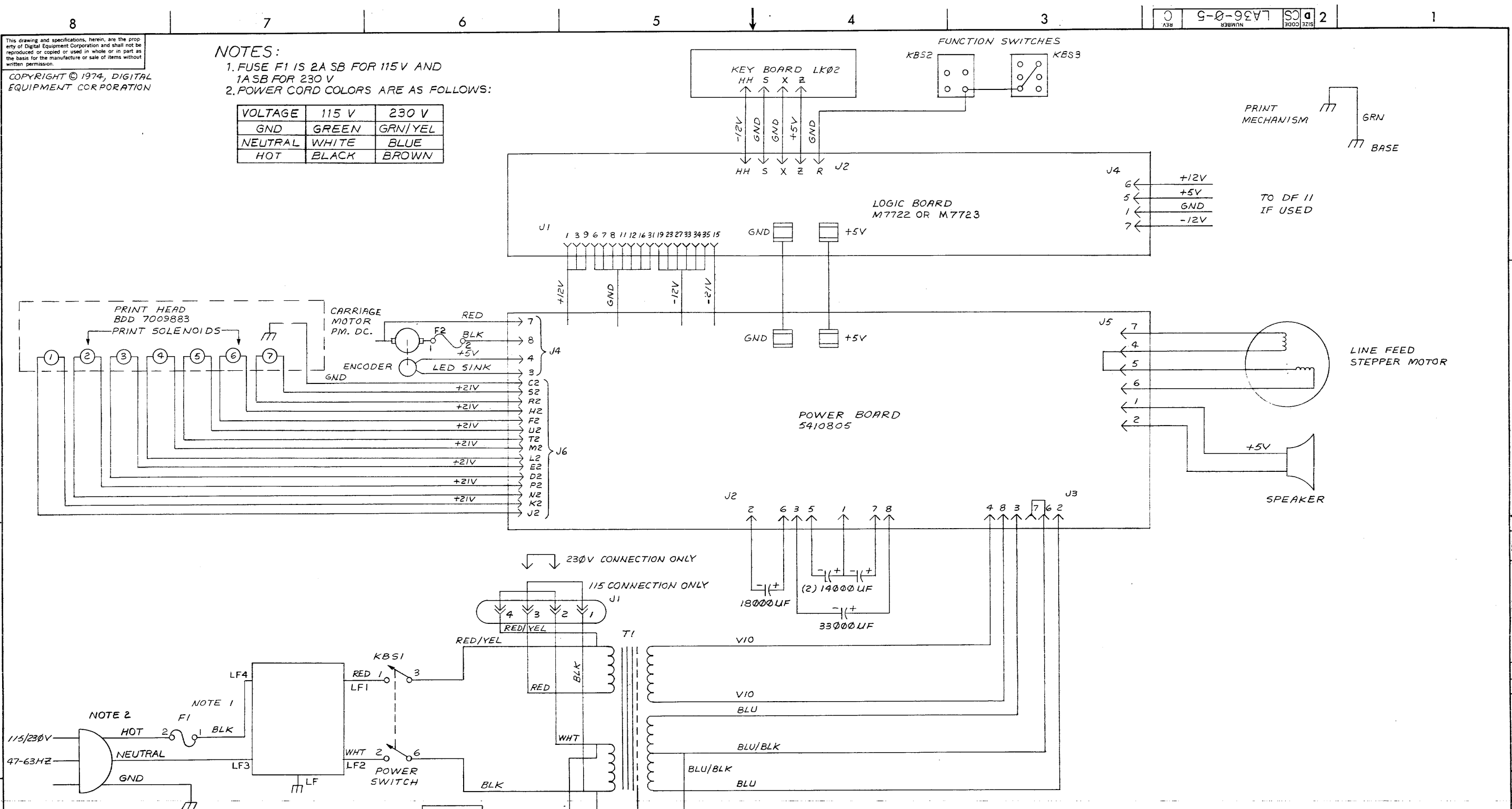
1	LA36 TABLE ASSY	9006691-01	3
2	WHEEL ASSEMBLY	9006692-01	2
3	PAPER BASKET	9006693-01	1

LA36		REV. 1	
DATE	APR 1970	BY	WJL
CHKD	WJL	APPD	WJL
LA36		OPTION ARRANGEMENT	
REV. 1	DATE	BY	WJL
REV. 1	DATE	BY	WJL

This drawing and specifications, herein, are the property of Digital Equipment Corporation and shall not be reproduced or copied or used in whole or in part as the basis for the manufacture or sale of items without written permission.
 COPYRIGHT © 1974, DIGITAL EQUIPMENT CORPORATION

NOTES:
 1. FUSE F1 IS 2A SB FOR 115V AND 1ASB FOR 230V
 2. POWER CORD COLORS ARE AS FOLLOWS:

VOLTAGE	115 V	230 V
GND	GREEN	GRN/YEL
NEUTRAL	WHITE	BLUE
HOT	BLACK	BROWN



QTY	REF DESIGNATION	DESCRIPTION	PART NO.	ITEM NO.											
PARTS LIST															
ETCH-BOARD-REV															
<table border="1"> <tr> <td>DRN</td> <td>DATE</td> <td rowspan="5" style="text-align: center;"> </td> </tr> <tr> <td>CHK'D</td> <td>DATE</td> </tr> <tr> <td>ENG</td> <td>DATE</td> </tr> <tr> <td>PROJ. ENGR.</td> <td>DATE</td> </tr> <tr> <td>PROD.</td> <td>DATE</td> </tr> </table>					DRN	DATE		CHK'D	DATE	ENG	DATE	PROJ. ENGR.	DATE	PROD.	DATE
DRN	DATE														
CHK'D	DATE														
ENG	DATE														
PROJ. ENGR.	DATE														
PROD.	DATE														
TITLE			LA36												
NEXT HIGHER ASSY			POWER SCHEMATIC												
SCALE		SIZE CODE		REV.											
SHEET 1 OF 1		DICS LA36-0-5		C											

DEC NO.	EIA NO.	DEC NO.	EIA NO.

SEMICONDUCTOR CONVERSION CHART

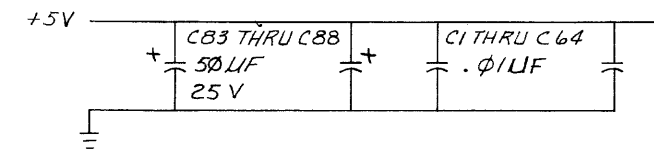
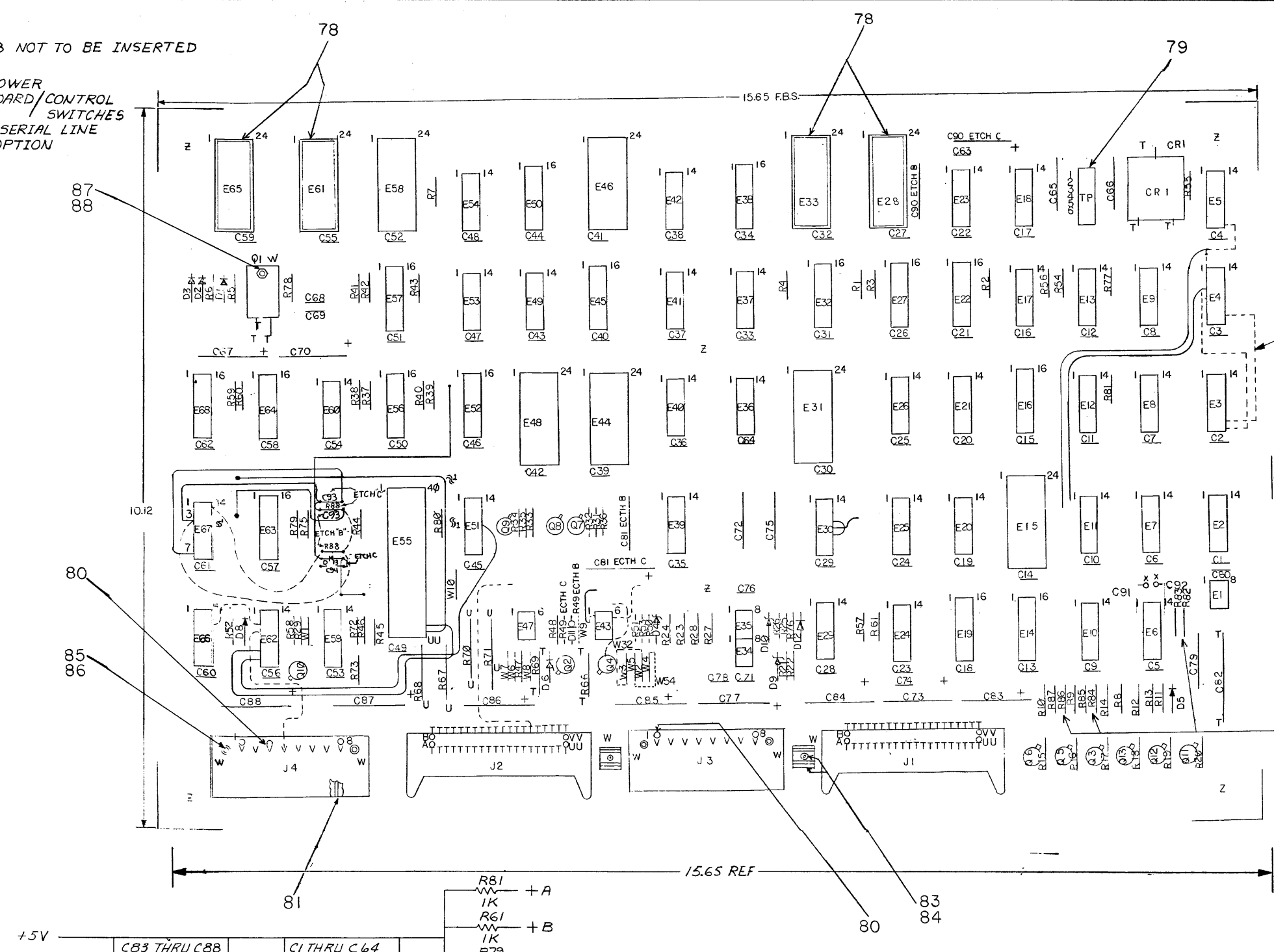
BRUNING 40-107 15988

REV. C
 NUMBER LA36-0-5
 DICS

"THIS DRAWING AND SPECIFICATIONS, HEREIN, ARE THE PROPERTY OF DIGITAL EQUIPMENT CORPORATION AND SHALL NOT BE REPRODUCED OR COPIED OR USED IN WHOLE OR IN PART AS THE BASIS FOR THE MANUFACTURE OR SALE OF ITEMS WITHOUT WRITTEN PERMISSION. COPYRIGHT © 1973, DIGITAL EQUIPMENT CORPORATION"

NOTES:

- * E27 & E48 NOT TO BE INSERTED
- CONNECTORS:
 J1 → J1 POWER
 J2 → KEYBOARD/CONTROL SWITCHES
 J3 → ZONA SERIAL LINE
 J4 → DFII OPTION
- PREFERRED CONFIGURATION
 E58 = 23-082A6 ("CROM")
 E61 = EMPTY
 E65 = EMPTY
 SUBSTITUTE CONFIGURATION
 E58 = EMPTY
 E61 = 23-083A4 ("PROM 1")
 E65 = 23-082A4 ("PROM 0")
- PREFERRED CONFIGURATION
 E17 = I.C. 8640
 R54 = 5.6K 1/4W 5%
 R55 = 1K 1/4W 5%
 R56 = 5.6K 1/4W 5%
 SUBSTITUTE CONFIGURATION
 E17 = I.C. 980
 R54 = 10K 1/4W 5%
 R55 = 470 1/4W 5%
 R56 = 10K 1/4W 5%
- DOTTED LINES REPRESENT ADDED WIRES TO ETCH REV B BOARDS ONLY.
- LOCATIONS OF R82 THRU R87 ARE SLIGHTLY DIFFERENT ON ETCH REV B BOARDS.
- SUBSTITUTE CONFIGURATIONS ARE EQUAL IN PERFORMANCE TO PREFERRED CONFIGURATIONS. IT IS NOT NECESSARY TO CHANGE CONFIGURATIONS IN THE FIELD.



8640	1	8
LM301A	NONE	NONE
1702	NONE	12,15
74123	8	16
74150	12	24
74154	12	24
74161	8	16
74175	8	16
74190	8	16
74193	8	16
7442	8	16
7489	8	16
7493	10	5
MK2600P	12	24
UART	3	1
IC TYPE	GND	+5V
GND AND 5V ARE USUALLY PIN 7 AND 14 RESPECTIVELY. EXCEPTIONS ARE STATED ABOVE		
IC PIN LOCATIONS		

J. BITTO	9 JAN 74	K
J. BITTO	9/17/75	J
J. BITTO	8-21-75	J
J. BITTO	6-10-75	H
J. BITTO	00006	F
J. BITTO	00004	F
J. BITTO	00004	E
J. BITTO	00003	D
J. BITTO	00003	D
J. BITTO	00002	C
J. BITTO	00001	B
J. BITTO	00001	B

QTY	REF DESIGNATION	DESCRIPTION	PART NO.	ITEM NO.
	LA36	ETCH BOARD REV B C		

DRN	DATE	 digital EQUIPMENT CORPORATION MAYNARD MASSACHUSETTS
CHK'D	DATE	
ENG	DATE	
PROJ. ENG.	DATE	
PROD.	DATE	
NEXT HIGHER ASSY		TITLE
		LA36 (MPCI)
SCALE	+	SIZE CODE
SHEET	1 OF 8	DIST.

"THIS DRAWING AND SPECIFICATIONS, HEREIN, ARE THE PROPERTY OF DIGITAL EQUIPMENT CORPORATION AND SHALL NOT BE REPRODUCED OR COPIED OR USED IN WHOLE OR IN PART AS THE BASIS FOR THE MANUFACTURE OR SALE OF ITEMS WITHOUT WRITTEN PERMISSION. COPYRIGHT © 1973, DIGITAL EQUIPMENT CORPORATION"

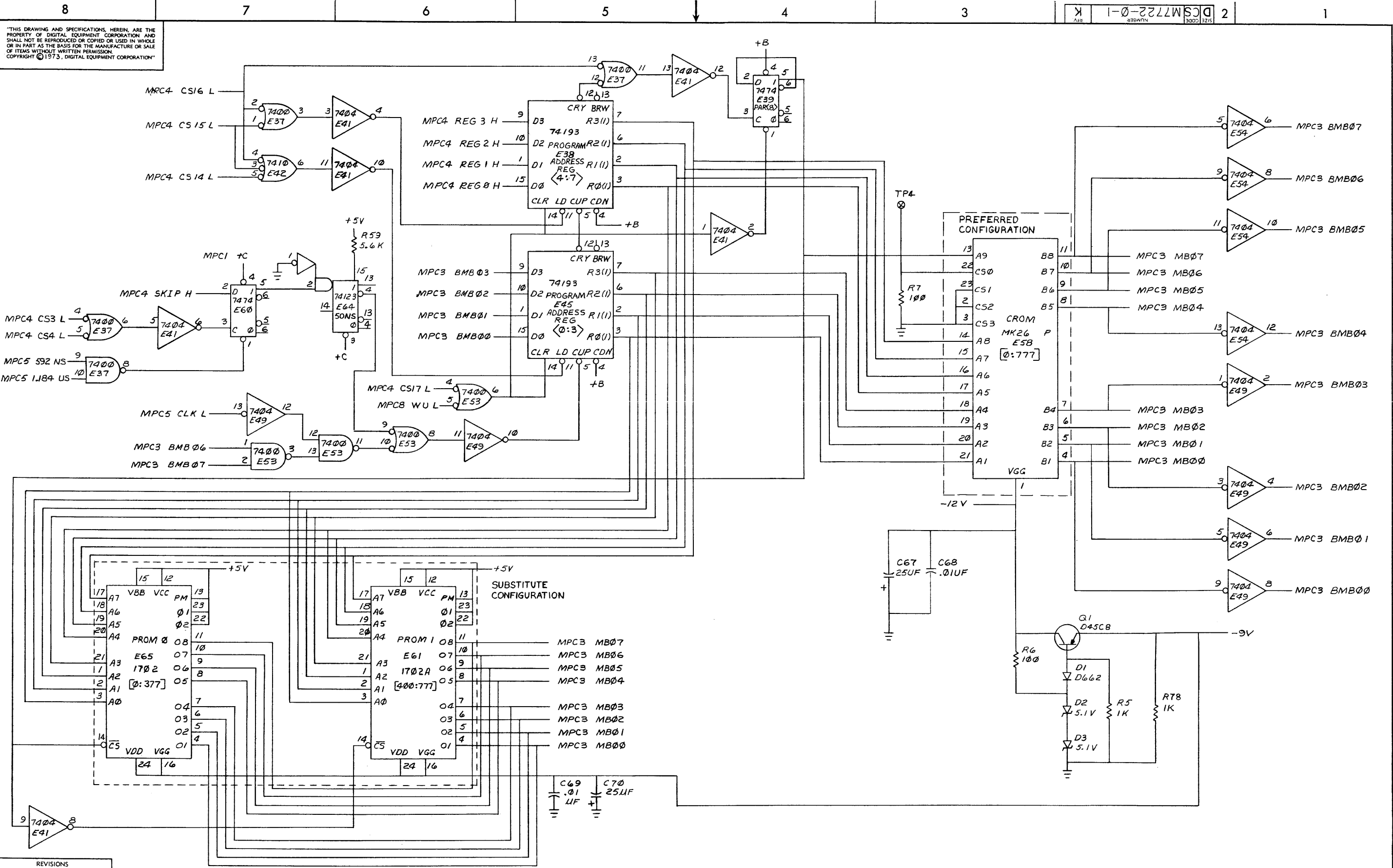
PARTS LIST
 QUANTITIES SHOWN REPRESENT PREFERRED CONFIGURATION

QTY	REF DESIGNATION	DESCRIPTION	PART NO.	ITEM NO.
REF		X-Y COORDINATE HOLE LOCATION	K-CO-M7722-B-4	1
REF		ASSY/DRILLING HOLE LAYOUT	D-AH-M7722-B-5	2
REF		MODULE ECO HISTORY	B-MH-M7722-B-6	3
1		ETCHED CIRCUIT BOARD	5010823	4
3	C71, C76, C80	CAP 39PF, 100V, 5%, DIPPED MICA	1000010	5
1	C82	CAP .22UF, 100V 10% MYLAR	1000037	6
5	C65, C66, C72, C75, C79	CAP .047UF, 100V 10% MYLAR	1000051	7
70	C1 THRU C64, C68, C69, C74, C78, C91, C92	CAP .01UF 100V DISC	1001610-B1	8
1	C93	CAP .005UF 100V DISC	1001765	9
6	C67, C70, C73, C77, C81, C90	CAP 25UF 25V 20% AL EL	1000075	10
6	C83 THRU C88	CAP 50UF 25V 10% AL EL	1001796	11
1	D1	DIODE D862	1100113	12
4	D8, D5, D12, D13	DIODE D864	1100114	13
2	D9, D10	DIODE 1N748A 35V ZENER 5%	1100122	14
1	D4	DIODE 1N746A 33V ZENER 5%	1104860	15
1	D6	DIODE 1N4004	1105796	16
2	D2, D3	DIODE .4M 5.1A21 5.1V ZENER 1%	1105873	17
2	J3, J4	CONN 8PIN MAT-N-LOK (SOCKET HOUSING)	1209340	18
2	J1, J2	CONN 40PIN BERG	1209941	19
2	R23, R27	RES 511 1/4W 1%	1302411	20
3	R21, R25, R51	RES 1M 1/2W 5%	1309595	21
2	R29, R50	RES 47 1/2W 5%	1300202	22
4	R6, R58, R7, R88	RES 100 1/2W 5%	1300229	23
1	R47	RES 150 1/2W 5%	1300250	24
3	R33, R76, R49	RES 330 1/2W 5%	1300295	25
34	R1 THRU R5, R32, R34, R35, R37 THRU R46, R52, R61, R72, R73, R75, R77 THRU R87, R55	RES 1K 1/2W 5%	1300365	26
1	R31	RES 1.5K 1/2W 5%	1300391	27
1	R54, R56, R53	RES 10K 1/2W 5%	1300479	28
3	R13, R22, R26	RES 180 1/2W 5%	1301322	29
1	R48	RES 68K 1/2W 5%	1301327	30
1	R11	RES 820 1/2W 5%	1301775	31
6	R36, R59, R60, R57, R54, R56	RES 5.6K 1/2W 5%	1301874	32
1	C94	CAP .1UF 100V DISC	1000030	33
1	R8	RES 100K 1/2W 5%	1302466	34
1	R18	RES 14.7K 1/2W 1%	1302941	35
2	R12, R14	RES 1K 1/2W 1%	1303114	36
4	R67, R68, R70, R71	RES 1K 1W 5%	1300368	37
1	R19	RES 3.48K 1/2W 1%	1305114	38
1	R15	RES 121K 1/2W 1%	1305255	39
2	R9, R10	RES 232K 1/2W 1%	1305424	40
1	R17	RES 30.1K 1/2W 1%	1311594	41
1	R16	RES 59K 1/2W 1%	1300525	42
1	R66	RES 470 1/2W 5%	1300316	43
2	Q7, Q8	TRANSISTOR MPSA55	1510706	44
10	Q2, Q4, Q9, Q10, Q11, Q12, Q13, Q3, Q5, Q6	TRANSISTOR MPSA05	1510705	45
1	Q1	TRANSISTOR D45C8	1510598	46
1	CR 1 CR 1	CRYSTAL 1.6896 MHZ SUBSTITUTE CRYSTAL 1.6896 MHZ PREFERRED	1810245-02 1811689	47

QTY	REF DESIGNATION	DESCRIPTION	PART NO.	ITEM NO.
11	E2, E3, E4, E5, E8, E24, E30, E39, E51, E60, E36	IC 7474	1905547	48
6	E11, E12, E29, E37, E40, E53	IC 7400	1905575	49
2	E9, E42	IC 7410	1905576	50
1	E23	IC 7420	1905577	51
2	E21, E59	IC 7401	1905590	52
2	E13, E26	IC 7493A	1909054	53
1	E7	IC 389	1909435	54
10	E7, E10, E18, E20, E25, E41, E49, E54, E62, E67	IC 7404	1909686	55
2	E44, E46	IC 74154	1909701	56
1	E6	IC 7413	1909989	57
3	E32, E38, E45	IC 74103	1910018	58
2	E19, E50	IC 7442	1910046	59
1	E66	IC 7437	1910091	60
1	E16	IC 74100	1910095	61
2	E15, E31	IC 74150	1910153	62
3	E1, E34, E35	IC LM301AN DIP.	1910282	63
3	E22, E56, E57	IC 7489, 3101	1910396	64
1	E64	IC 74123	1910436	65
1	E55	IC UART	1910459	66
2	E63, E68	IC 74161	1910650	67
2	E14, E52	IC 74175	1910651	68
1	E28	IC MK2626P (NUMBER SET UNSLASHED 0)	23071AG	69
2	E43, E47	IC 4N26 (SOC75)	1911998	70
1	E67	IC 1702A "FROM 1"	2308344	71
1	E33	IC MK2627P (ALPHA SET)	23070AG	72
1	E23 (ALTERNATE)	IC MK2628P (NUMBER SET SLASHED 0)	23072AG	73
1	E65	IC 1702A "FROM 0"	2308244	74
2	R66, R69	RES 180 1/2W 5%	1300260	75
2	R24, R28	RES 5.11K 1/4W 1%	1304854	76
1	R20	RES 2.15K 1/4W 1%	1311653	77
4	E28, E33, E61, E65	SOCKET IC 24 PIN	1210693	78
1		SOCKET IC 14 PIN (TP SOCKET)	1210054	79
2		KEYING PLUG, MAT-N-LOK	1211595	80
11		SOCKETS, MAT-N-LOK 61320-1	1209456	81
5	W1 THRU W5	WIRE, INSULATED JUMPER	9009185	82
2		FASTON	9007113	83
2		EYELETS (FASTON)	9009000	84
4		EYELETS (MAT-N-LOK)	9007266	85
4		WASHER, FLAT, NYLON, #6	9006707	86
1		SCREW, SLOTTED BIND. HD. 4-40 X 5/16	9006010-4	87
1		NUT, KEP, 4-40	9006557	88
1	D11	DIODE MCL1301	1105610-0-0	89
1	R51	RES 120K 1/2W 5%	1300539	90

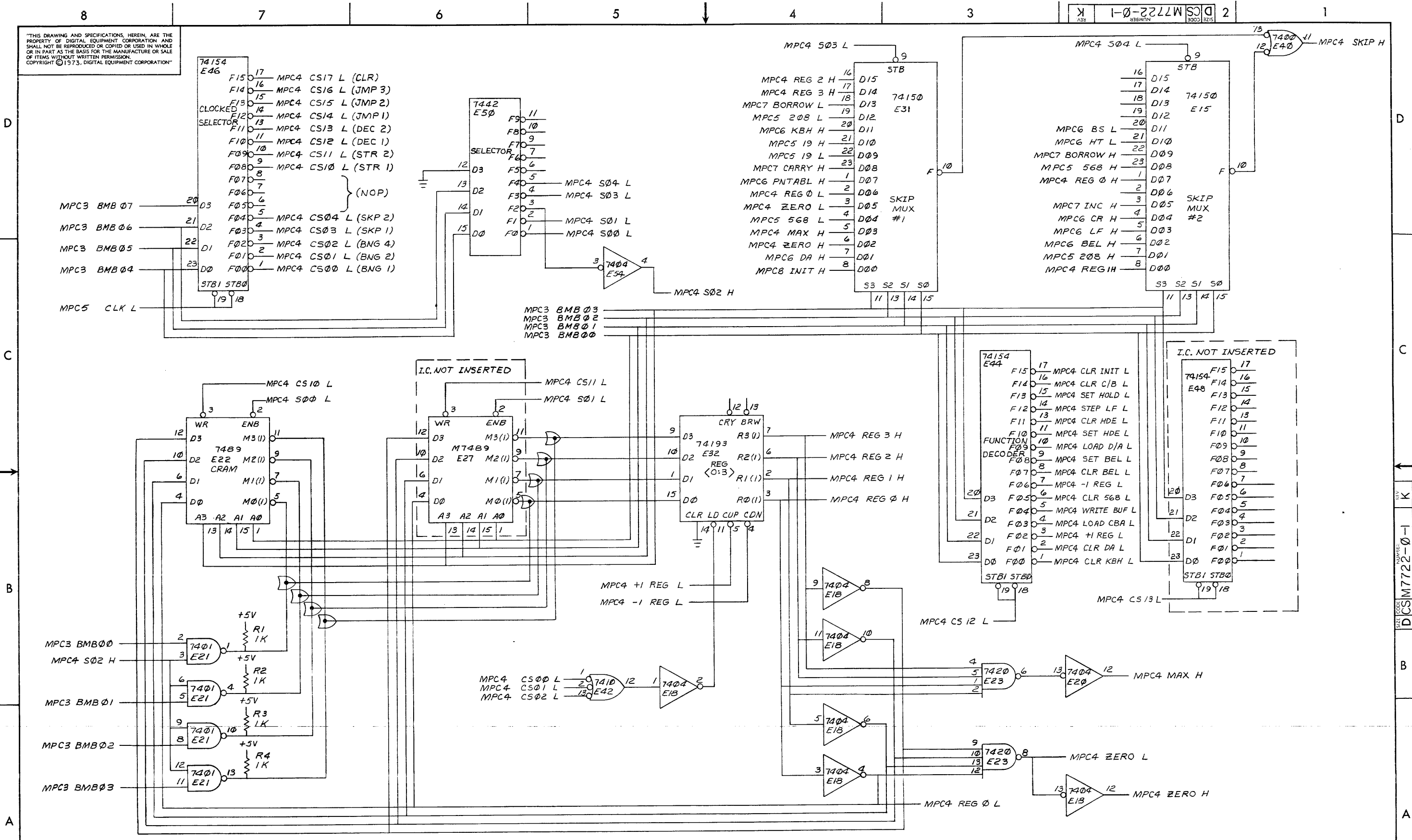
QTY	REF DESIGNATION	DESCRIPTION	PART NO.	ITEM NO.
				91
A/R		*30 INSULATED WIRE (GREEN)	9105740-55	92
				93
				94
A/R	FOR MOUNTING Q1	THERMAL COMPOUND	90C8268	95
I	E58	I.C. MK2628P "CROM"	23082A6	96
I	E17	I.C. 8640	1911469	97

REVISIONS		
CHK	CHANGE NO.	REV.



CHK	CHANGE NO.	REV.	TITLE	SIZE CODE	NUMBER	REV.
			LA36 (MPC3)	DCS	M7722-0-1	K

"THIS DRAWING AND SPECIFICATIONS, HEREIN, ARE THE PROPERTY OF DIGITAL EQUIPMENT CORPORATION AND SHALL NOT BE REPRODUCED OR COPIED OR USED IN WHOLE OR IN PART AS THE BASIS FOR THE MANUFACTURE OR SALE OF ITEMS WITHOUT WRITTEN PERMISSION. COPYRIGHT © 1973, DIGITAL EQUIPMENT CORPORATION"

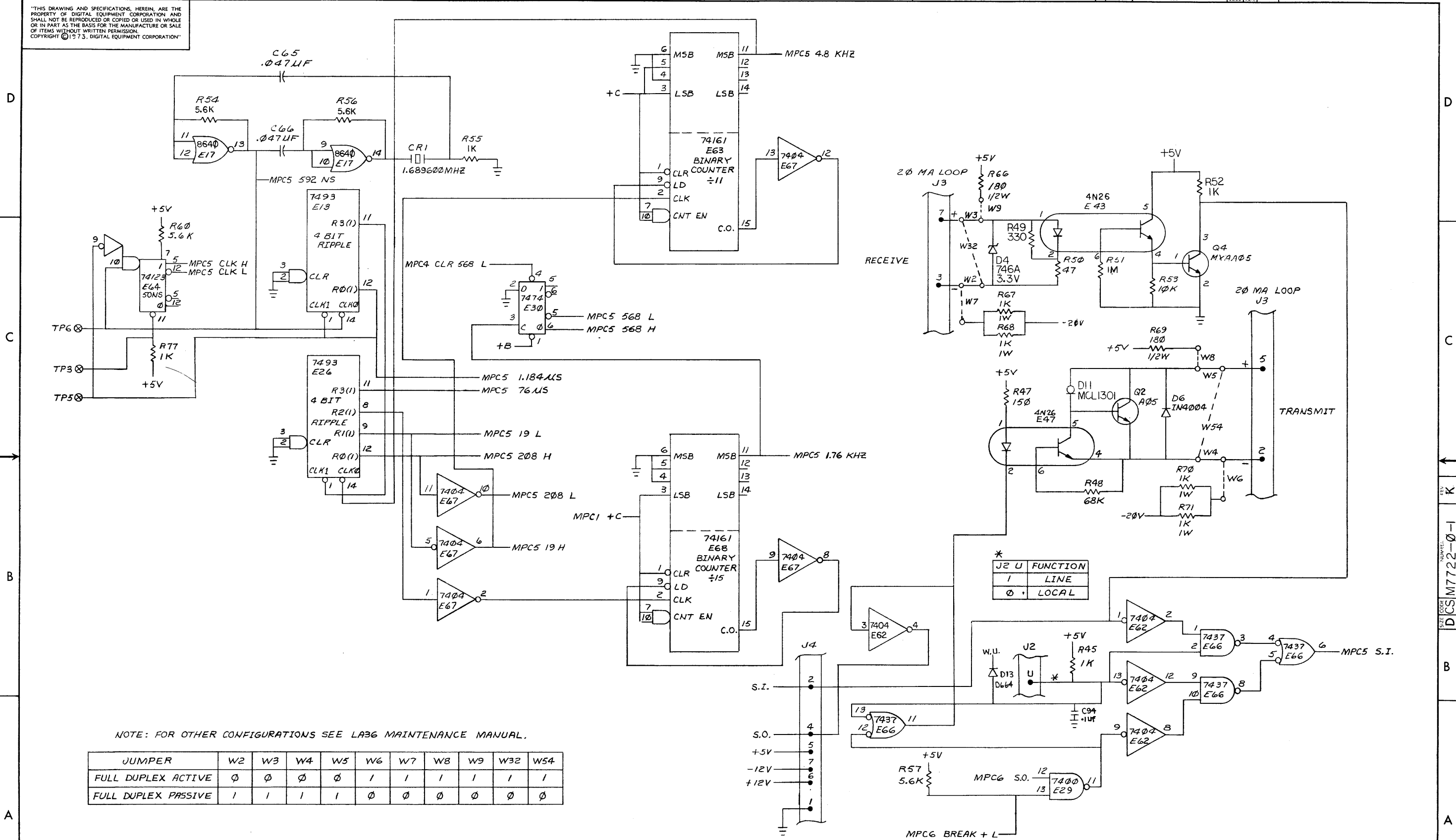


REVISIONS		
CHK	CHANGE NO.	REV.

TITLE	LA36 (MPC4)	SIZE CODE	D CS	NUMBER	M7722-0-1	REV.	K
SCALE	+	SHEET	4 OF 8	DIST.			

"THIS DRAWING AND SPECIFICATIONS, HEREIN, ARE THE PROPERTY OF DIGITAL EQUIPMENT CORPORATION AND SHALL NOT BE REPRODUCED OR COPIED OR USED IN WHOLE OR IN PART AS THE BASIS FOR THE MANUFACTURE OR SALE OF ITEMS WITHOUT WRITTEN PERMISSION. COPYRIGHT © 1973, DIGITAL EQUIPMENT CORPORATION"

SIZE CODE DCS M7722-0-1



NOTE: FOR OTHER CONFIGURATIONS SEE LA36 MAINTENANCE MANUAL.

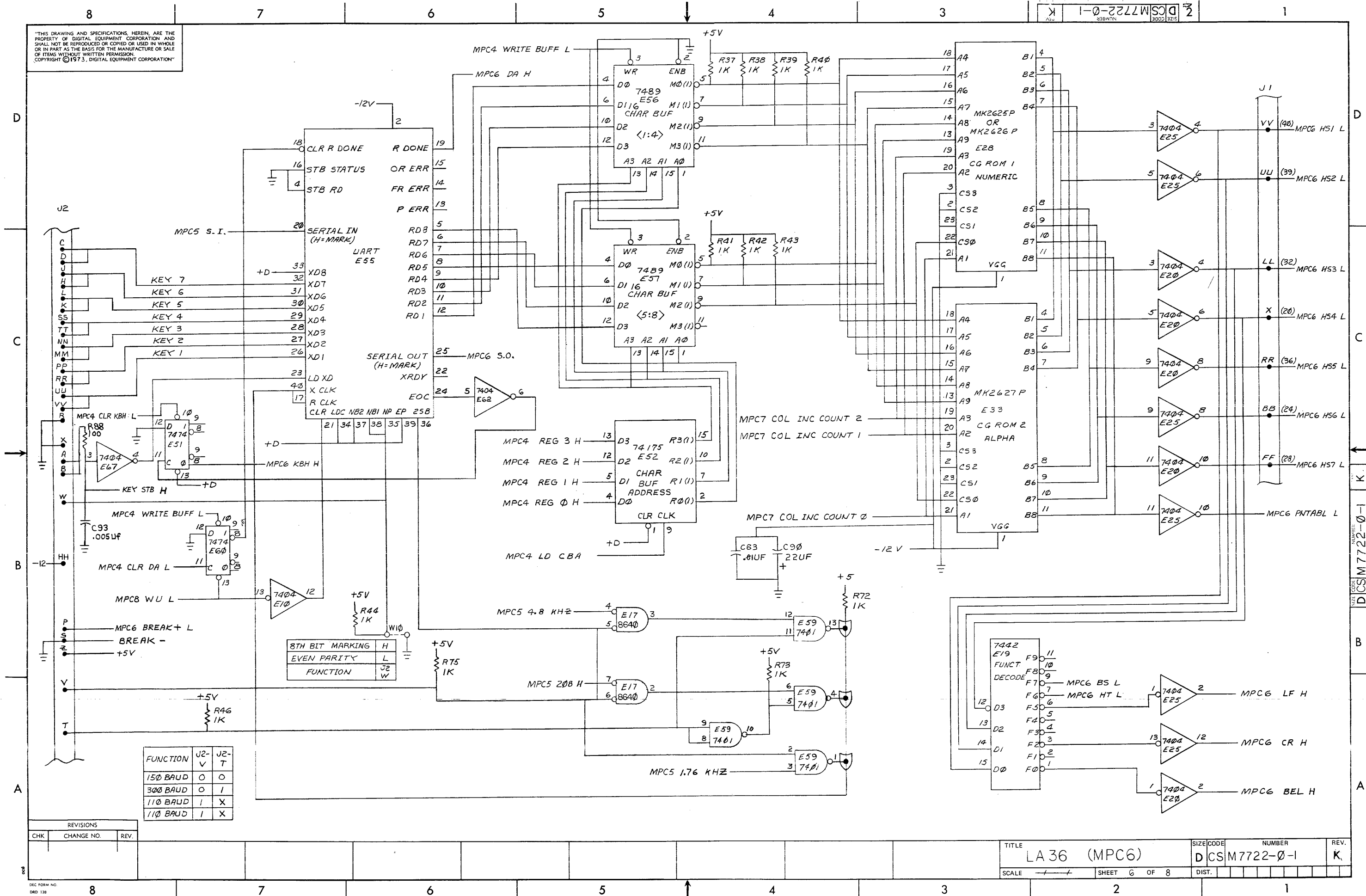
JUMPER	W2	W3	W4	W5	W6	W7	W8	W9	W32	W54
FULL DUPLEX ACTIVE	Ø	Ø	Ø	Ø	/	/	/	/	/	/
FULL DUPLEX PASSIVE	/	/	/	/	Ø	Ø	Ø	Ø	Ø	Ø

J2 U	FUNCTION
1	LINE
Ø	LOCAL

REVISIONS		
CHK	CHANGE NO.	REV.

TITLE LA36 (MPC5) SIZE CODE DCS M7722-0-1 NUMBER 5 REV. K
SCALE SHEET 5 OF 8 DIST.

"THIS DRAWING AND SPECIFICATIONS, HEREIN, ARE THE PROPERTY OF DIGITAL EQUIPMENT CORPORATION AND SHALL NOT BE REPRODUCED OR COPIED OR USED IN WHOLE OR IN PART AS THE BASIS FOR THE MANUFACTURE OR SALE OF ITEMS WITHOUT WRITTEN PERMISSION. COPYRIGHT © 1973, DIGITAL EQUIPMENT CORPORATION"



FUNCTION	J2-V	J2-T
150 BAUD	0	0
300 BAUD	0	1
110 BAUD	1	X
110 BAUD	1	X

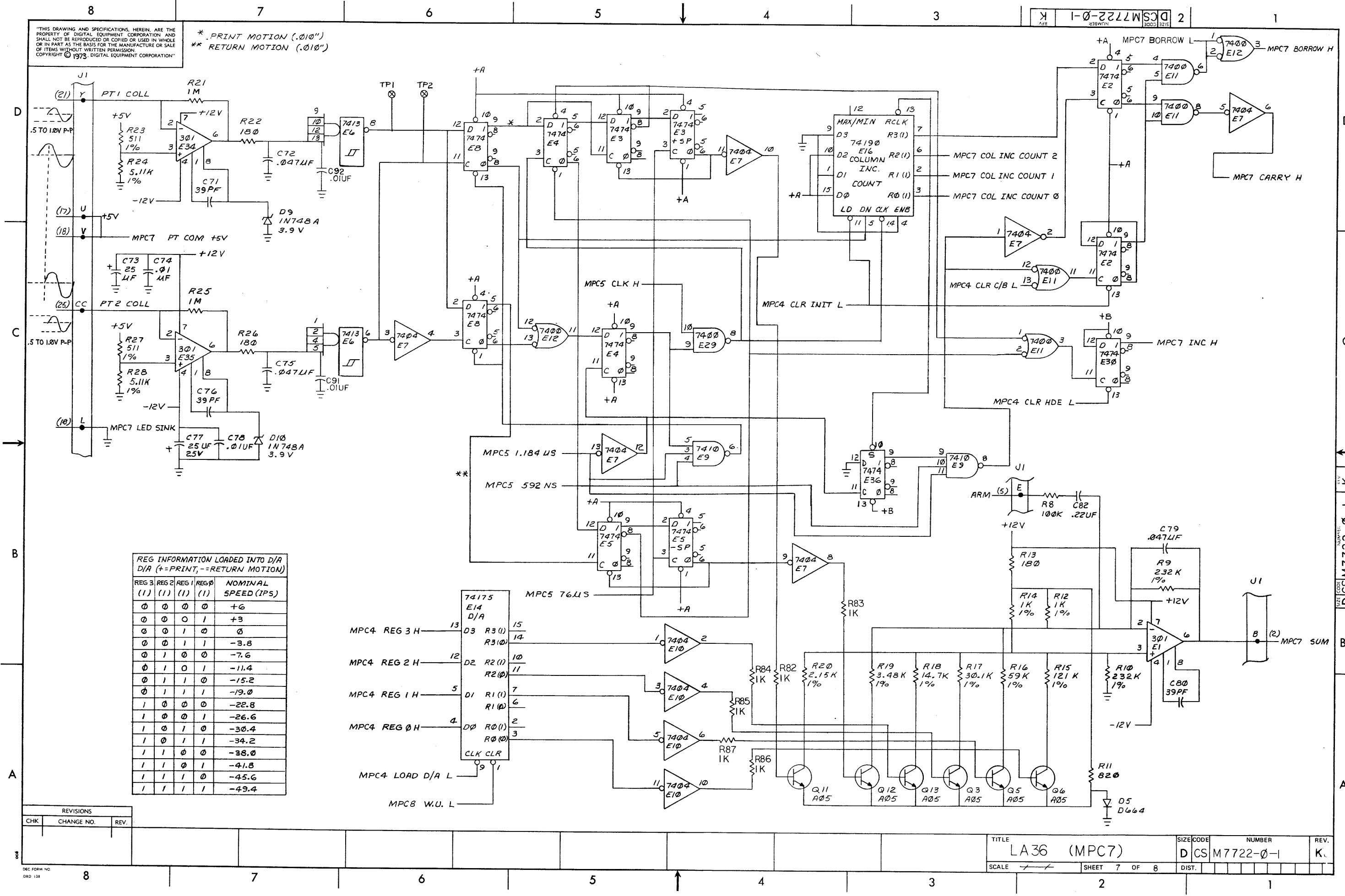
8TH BIT MARKING	H
EVEN PARITY	L
FUNCTION	J2 W

REVISIONS		
CHK	CHANGE NO.	REV.

"THIS DRAWING AND SPECIFICATIONS, HEREIN, ARE THE PROPERTY OF DIGITAL EQUIPMENT CORPORATION AND SHALL NOT BE REPRODUCED OR COPIED OR USED IN WHOLE OR IN PART AS THE BASIS FOR THE MANUFACTURE OR SALE OF ITEMS WITHOUT WRITTEN PERMISSION. COPYRIGHT © 1973, DIGITAL EQUIPMENT CORPORATION"

* PRINT MOTION (.010")
 ** RETURN MOTION (.010")

DCS M7722-0-1 K



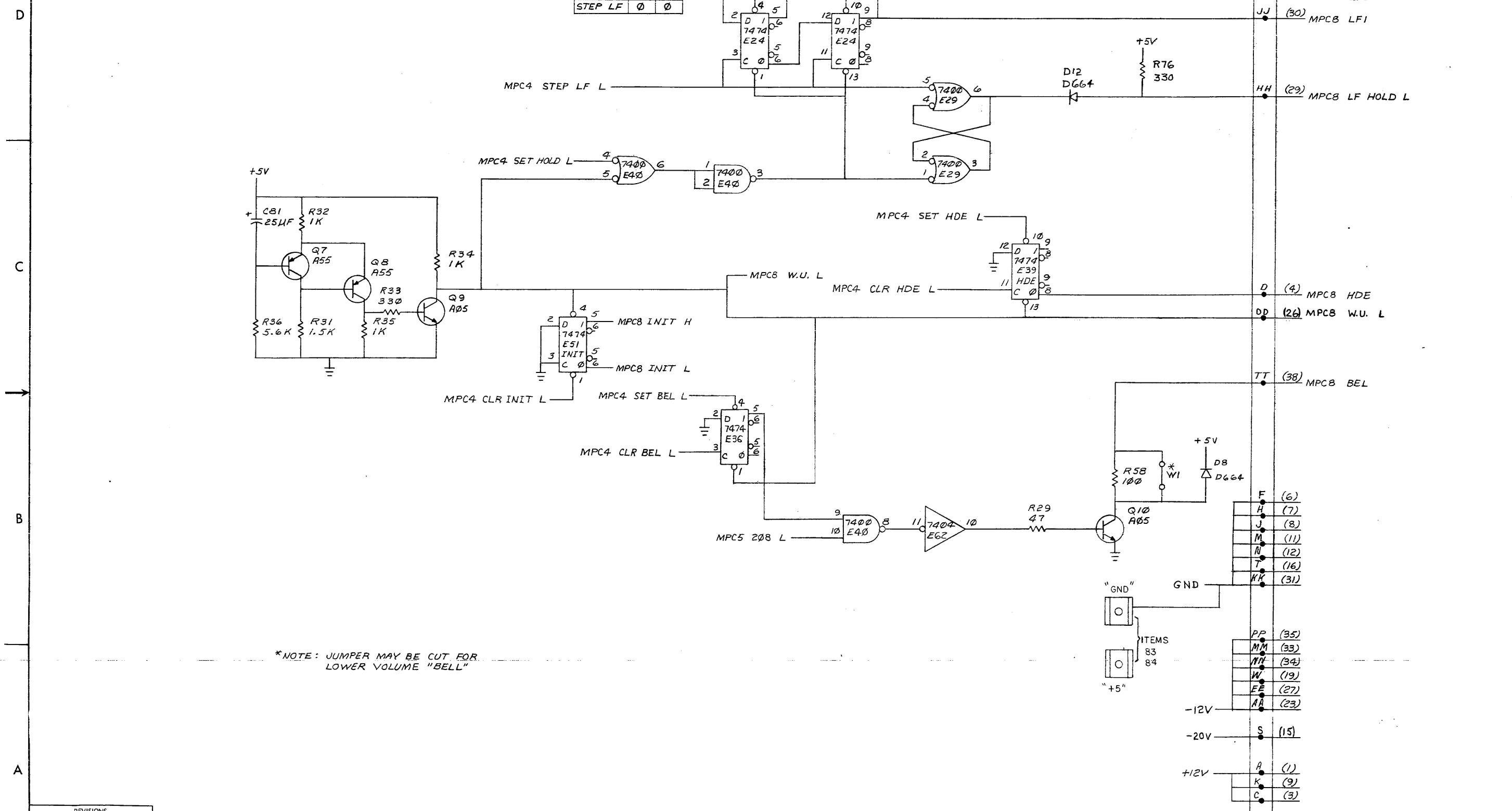
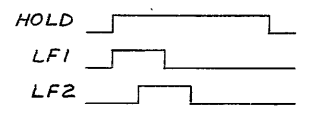
REG INFORMATION LOADED INTO D/A
 D/A (+=PRINT, -=RETURN MOTION)

REG 3	REG 2	REG 1	REG 0	NOMINAL SPEED (IPS)
0	0	0	0	+6
0	0	0	1	+3
0	0	1	0	0
0	0	1	1	-3.8
0	1	0	0	-7.6
0	1	0	1	-11.4
0	1	1	0	-15.2
0	1	1	1	-19.0
1	0	0	0	-22.8
1	0	0	1	-26.6
1	0	1	0	-30.4
1	0	1	1	-34.2
1	1	0	0	-38.0
1	1	0	1	-41.8
1	1	1	0	-45.6
1	1	1	1	-49.4

REVISIONS		
CHK	CHANGE NO.	REV.

"THIS DRAWING AND SPECIFICATIONS HEREIN ARE THE PROPERTY OF DIGITAL EQUIPMENT CORPORATION AND SHALL NOT BE REPRODUCED OR COPIED OR USED IN WHOLE OR IN PART AS THE BASIS FOR THE MANUFACTURE OR SALE OF ITEMS WITHOUT WRITTEN PERMISSION. COPYRIGHT © 1973, DIGITAL EQUIPMENT CORPORATION"

	LF2	LF1
HOLD	0	0
STEP LF	0	1
STEP LF	1	1
STEP LF	1	0
STEP LF	0	0



*NOTE: JUMPER MAY BE CUT FOR LOWER VOLUME "BELL"

REVISIONS		
CHK	CHANGE NO.	REV.

"THIS DRAWING AND SPECIFICATIONS, HEREIN, ARE THE PROPERTY OF DIGITAL EQUIPMENT CORPORATION AND SHALL NOT BE REPRODUCED OR COPIED OR USED IN WHOLE OR IN PART AS THE BASIS FOR THE MANUFACTURE OR SALE OF ITEMS WITHOUT WRITTEN PERMISSION. COPYRIGHT © 1974, DIGITAL EQUIPMENT CORPORATION"

D

C

B

A

D

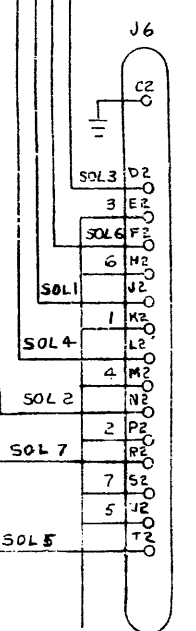
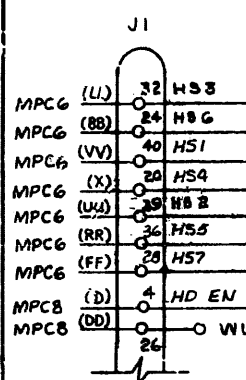
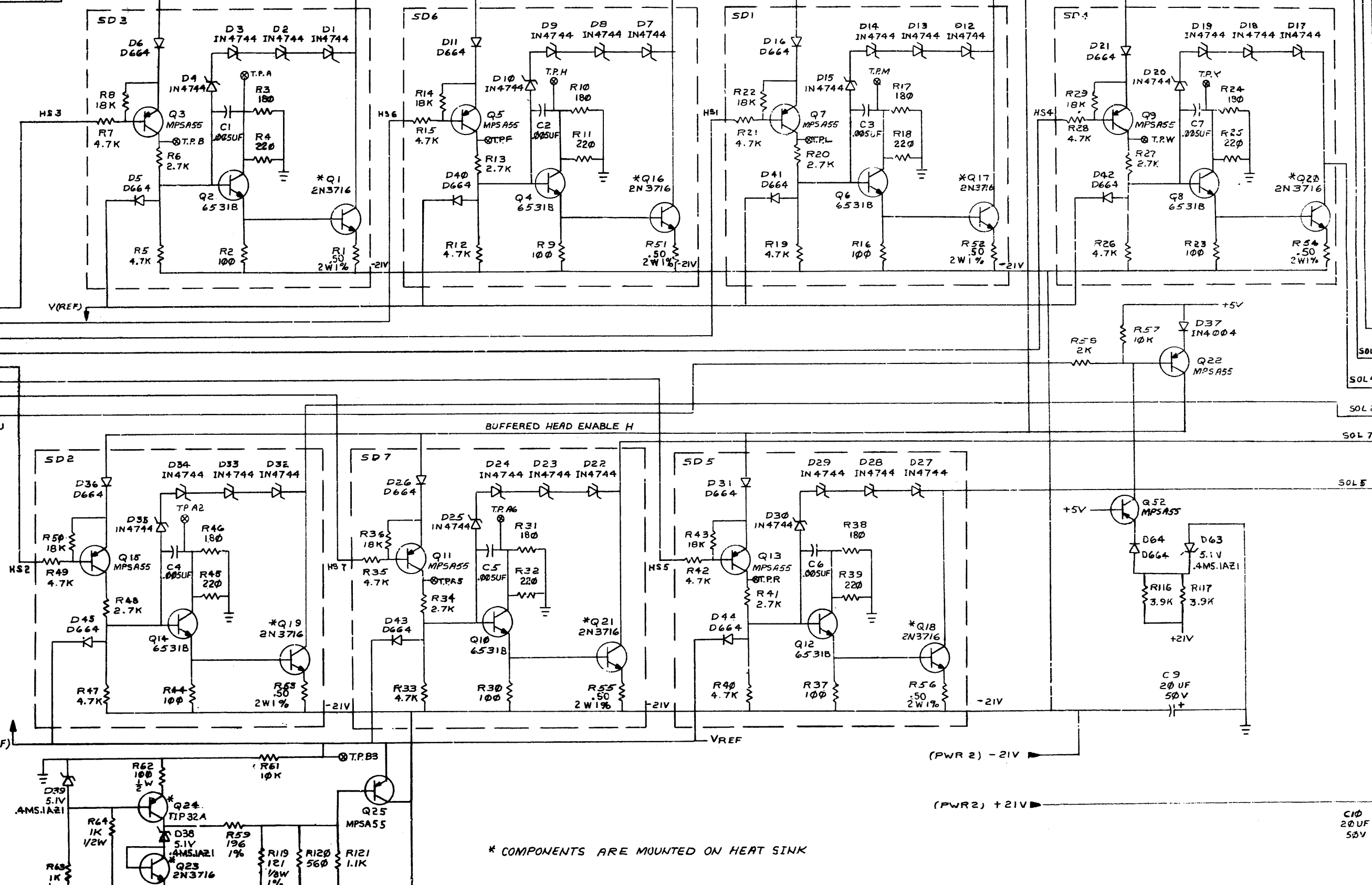
C

B

A

BUFFERED HEAD ENABLE H

BUFFERED HEAD ENABLE H

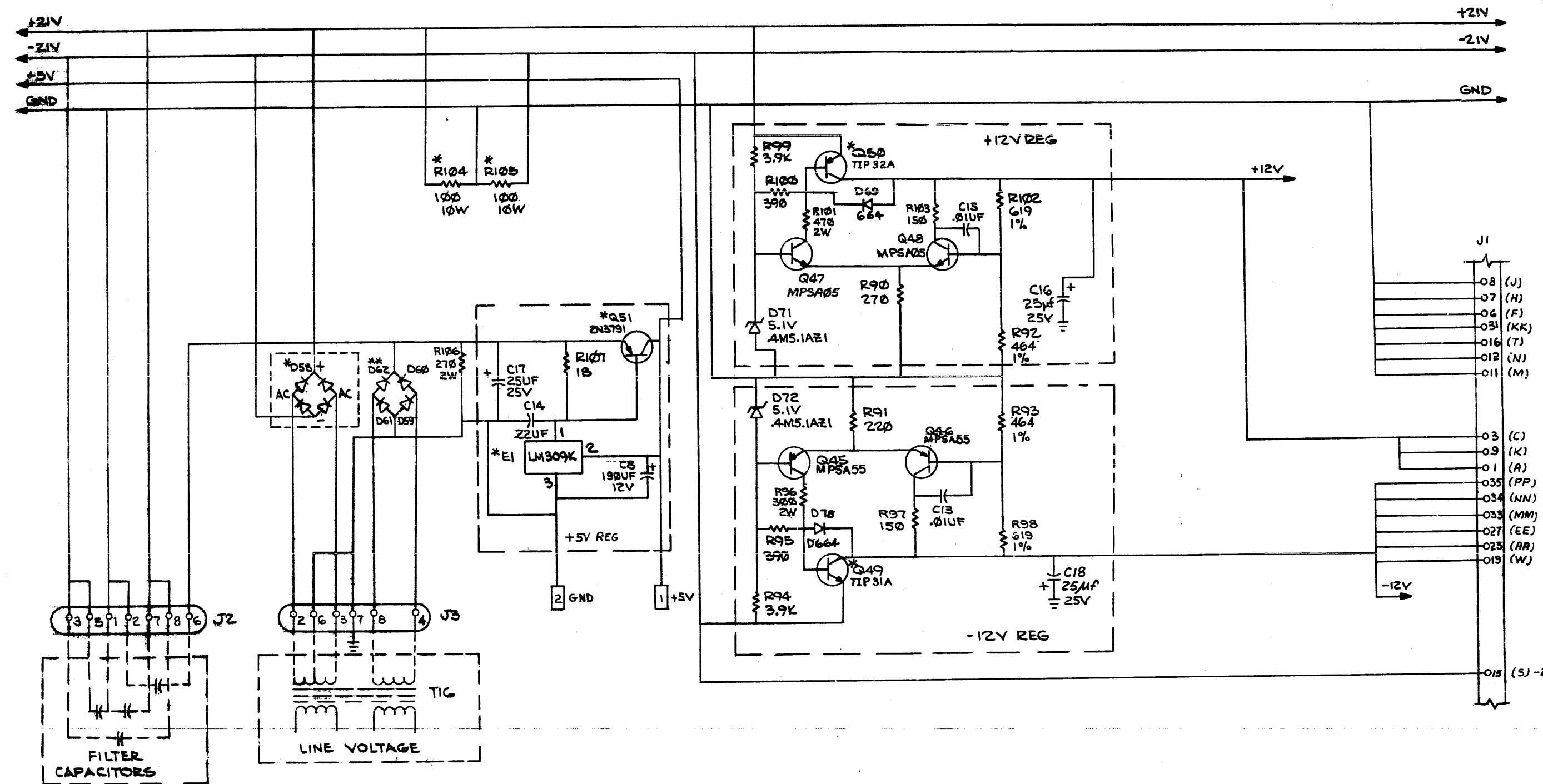


REVISIONS

CHK	CHANGE NO.	REV.

TITLE	L436 POWER BOARD	SIZE CODE	DCS	NUMBER	5410805-0-1	REV.	HT
SCALE	+	SHEET	3	OF	5	DIST.	

THE DRAWING AND SPECIFICATIONS HEREIN ARE THE PROPERTY OF DIGITAL EQUIPMENT CORPORATION AND SHALL NOT BE REPRODUCED OR COPIED OR USED IN WHOLE OR IN PART AS THE BASIS FOR THE MANUFACTURE OR SALE OF ITEMS WITHOUT WRITTEN PERMISSION. COPYRIGHT © 1974, DIGITAL EQUIPMENT CORPORATION

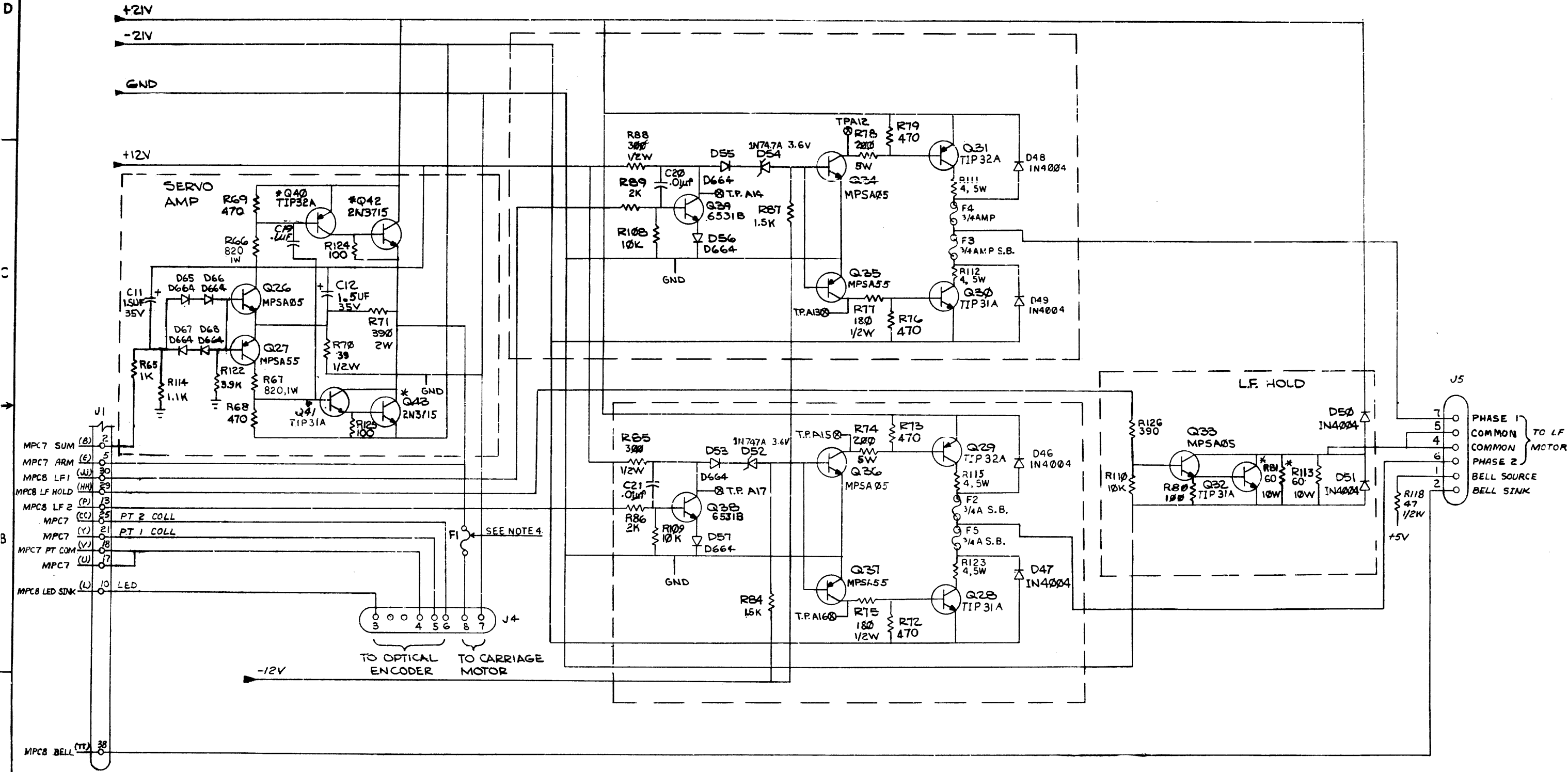


* COMPONENTS ARE MOUNTED ON HEAT SINK.
 ** DIODES D59 THRU D62 ARE M1752

REVISIONS		
CHK	CHANGE NO.	REV.

TITLE	LA36 POWER BOARD	SIZE CODE	D CS	NUMBER	5410805-0-1	REV.	1
SCALE	SHEET 4 OF 5		DIST.				

THIS DRAWING AND SPECIFICATIONS, HEREIN, ARE THE PROPERTY OF DIGITAL EQUIPMENT CORPORATION AND SHALL NOT BE REPRODUCED OR COPIED OR USED IN WHOLE OR IN PART AS THE BASIS FOR THE MANUFACTURE OR SALE OF ITEMS WITHOUT WRITTEN PERMISSION. COPYRIGHT © 1974, DIGITAL EQUIPMENT CORPORATION



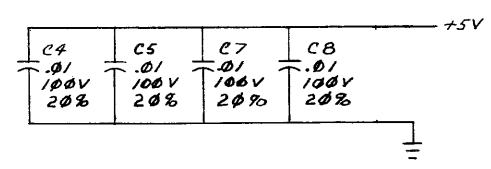
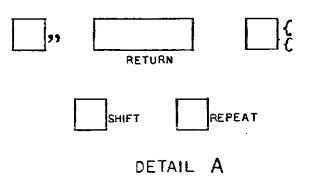
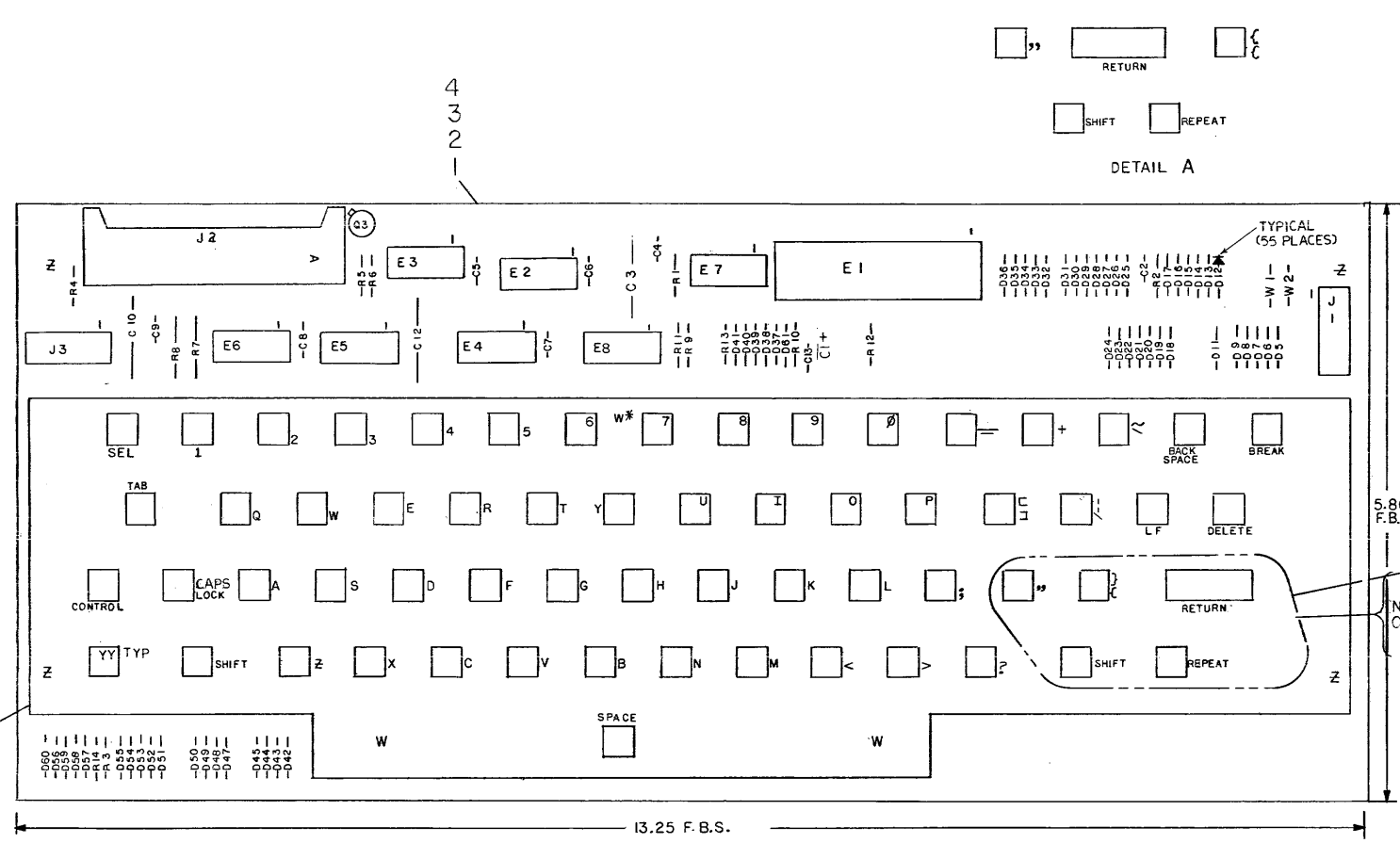
* COMPONENTS ARE MOUNTED ON HEAT SINK.

REVISIONS		
CHK	CHANGE NO.	REV.

TITLE	LA36 POWER BOARD	SIZE CODE	DCS	NUMBER	5410805-0-1	REV.	T
SCALE	+	SHEET	5	OF	5	DIST.	

This drawing and specifications, herein, are the property of Digital Equipment Corporation and shall not be reproduced or copied or used in whole or in part as the basis for the manufacture or sale of items without written permission. COPYRIGHT © 1975

NOTES: TWO VARIATIONS OF THIS BOARD SHALL BE AVAILABLE:
1. 5410736-0-0 NORMAL = NORMAL KEY CAP CONFIGURATION; W1, IN; W2, OUT
2. 5410736-YA-0 YA = OPTIONAL KEY CAP CONFIGURATION; W2, IN; W1 OUT



REF	REF	QTY	DESCRIPTION	PART NO.	ITEM NO.
			X-Y COORDINATE HOLE LOCATION	K-CO-5410736-0-4	1
			ASSY/DRILLING HOLE LAYOUT	D-AH-5410736-0-5	2
			MODULE ECO HISTORY	B-MH-5410736-0-6	3
1	1		ETCHED CIRCUIT BOARD	5010735	4
1	1	C3	CAP., .01UF, 100V 10% MYLAR	1005784	5
6	6	C4,C5,C7,C8,C9,C13	CAP., .01UF, 100V 20% DISC	1001610-01	6
1	1	C1	CAP., 1UF, 25V TANT	1010866-01	7
1	1	C2	CAP., 180PF, 100V 5% MICH	1000020-00	8
2	2	C10,C12	CAP., 10UF, 20V 10% TANT	1004813	9
55	55	D5-D9, D11-D15, D47-D61	DIODE, D664	1100114-00	10
1	1	Q3	TRANSISTOR DEC 3009B	1503100-00	11
2	2	J1, J3	SOCKET (16 PINS)	1211813	12
1	1	J2	CONNECTOR, RIGHT ANGLE HEADER	1209941-02	13
1	1	XE1	SOCKET ROM	1212385-00	14
1	1	E2	I.C. 7404	1909686	15
2	2	E3, E8	I.C. 7400	1905575	16
2	2	E5, E6	I.C. 7437	1910091	17
1	1	E4	I.C. 9601	1909373	18
1	1	E1	I.C. ROM.	23002C1	19
0	1	W1	JUMPER (INSULATED .4)	9009185	20
1	1		63 KEYSWITCH ARRAY	D-AD-700982-0-0	21
9	9	R1,R3,R4,R5,R10-R14	RES 1K 1/4 W 5%	1300365-00	22
1	1	R6	RES 3.9K 1/4 W 5%	1300444-00	23
1	1	R9	RES 22K 1/4 W 5%	1301808-00	24
1	1	R2	RES 100K 1/4 W 5%	1302466-00	25
2	2	R7,R8	RES 2 OHM 1/2 W 5%	1309421-00	26
1	1	E7	I.C. 7410	1905576	27
1	0	W2	JUMPER (INSULATED .4)	9009185	28
1	1	C6	CAP 1000PF 100V 5% MICH	1000042-00	29

5410736-YA-0
5410736-0-0

QTY	REF DESIGNATION	DESCRIPTION	PART NO.	ITEM NO.
-----	-----------------	-------------	----------	----------

ETCH BOARD REV F

DRN POIRIER	DATE 1-25-74
CHK'D [Signature]	DATE 3-7-75
ENG P NELSON	DATE 2-4-74
PROJ. ENG P NELSON	DATE 2-4-74
PROD.	DATE

TITLE: LK02 KEYBOARD

digital EQUIPMENT CORPORATION
MAYNARD, MASSACHUSETTS

SIZE CODE: DCS	NUMBER: 5410736-0-1	REV: E
----------------	---------------------	--------

REV	CHANGE NO.	DATE	BY	DESCRIPTION
1			J. BITTO	
2			P. NELSON	
3			PAUL E. NELSON	
4			PAUL E. NELSON	
5			PAUL E. NELSON	
6			PAUL E. NELSON	
7			PAUL E. NELSON	
8			PAUL E. NELSON	
9			PAUL E. NELSON	
10			PAUL E. NELSON	
11			PAUL E. NELSON	
12			PAUL E. NELSON	
13			PAUL E. NELSON	
14			PAUL E. NELSON	
15			PAUL E. NELSON	
16			PAUL E. NELSON	
17			PAUL E. NELSON	
18			PAUL E. NELSON	
19			PAUL E. NELSON	
20			PAUL E. NELSON	
21			PAUL E. NELSON	
22			PAUL E. NELSON	
23			PAUL E. NELSON	
24			PAUL E. NELSON	
25			PAUL E. NELSON	
26			PAUL E. NELSON	
27			PAUL E. NELSON	
28			PAUL E. NELSON	
29			PAUL E. NELSON	

REV	CHANGE NO.	DATE	BY	DESCRIPTION
1			J. BITTO	
2			P. NELSON	
3			PAUL E. NELSON	
4			PAUL E. NELSON	
5			PAUL E. NELSON	
6			PAUL E. NELSON	
7			PAUL E. NELSON	
8			PAUL E. NELSON	
9			PAUL E. NELSON	
10			PAUL E. NELSON	
11			PAUL E. NELSON	
12			PAUL E. NELSON	
13			PAUL E. NELSON	
14			PAUL E. NELSON	
15			PAUL E. NELSON	
16			PAUL E. NELSON	
17			PAUL E. NELSON	
18			PAUL E. NELSON	
19			PAUL E. NELSON	
20			PAUL E. NELSON	
21			PAUL E. NELSON	
22			PAUL E. NELSON	
23			PAUL E. NELSON	
24			PAUL E. NELSON	
25			PAUL E. NELSON	
26			PAUL E. NELSON	
27			PAUL E. NELSON	
28			PAUL E. NELSON	
29			PAUL E. NELSON	

DEC NO.	EIA NO.	DEC NO.	EIA NO.
1			
2			
3			
4			
5			
6			
7			
8			
9			
10			
11			
12			
13			
14			
15			
16			
17			
18			
19			
20			
21			
22			
23			
24			
25			
26			
27			
28			
29			

BRUNING 40-107 15968

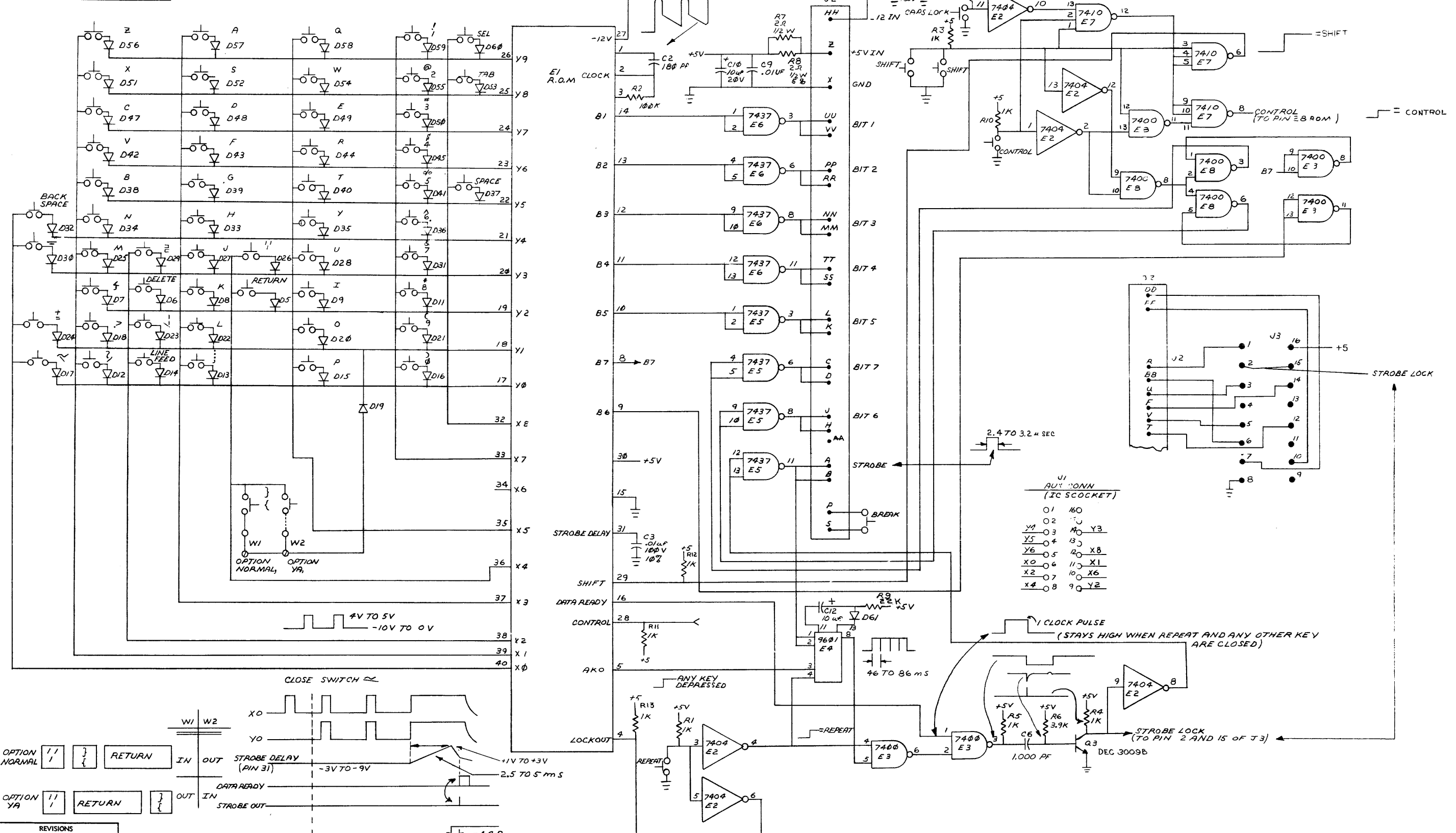
DEC FORM NO DRD-135

REV F
NUMBER 5410736-0-1
SIZE CODE DCS

B

A

"THIS DRAWING AND SPECIFICATIONS, HEREIN, ARE THE PROPERTY OF DIGITAL EQUIPMENT CORPORATION AND SHALL NOT BE REPRODUCED OR COPIED OR USED IN WHOLE OR IN PART AS THE BASIS FOR THE MANUFACTURE OR SALE OF ITEMS WITHOUT WRITTEN PERMISSION. COPYRIGHT © 1975 DIGITAL EQUIPMENT CORPORATION"

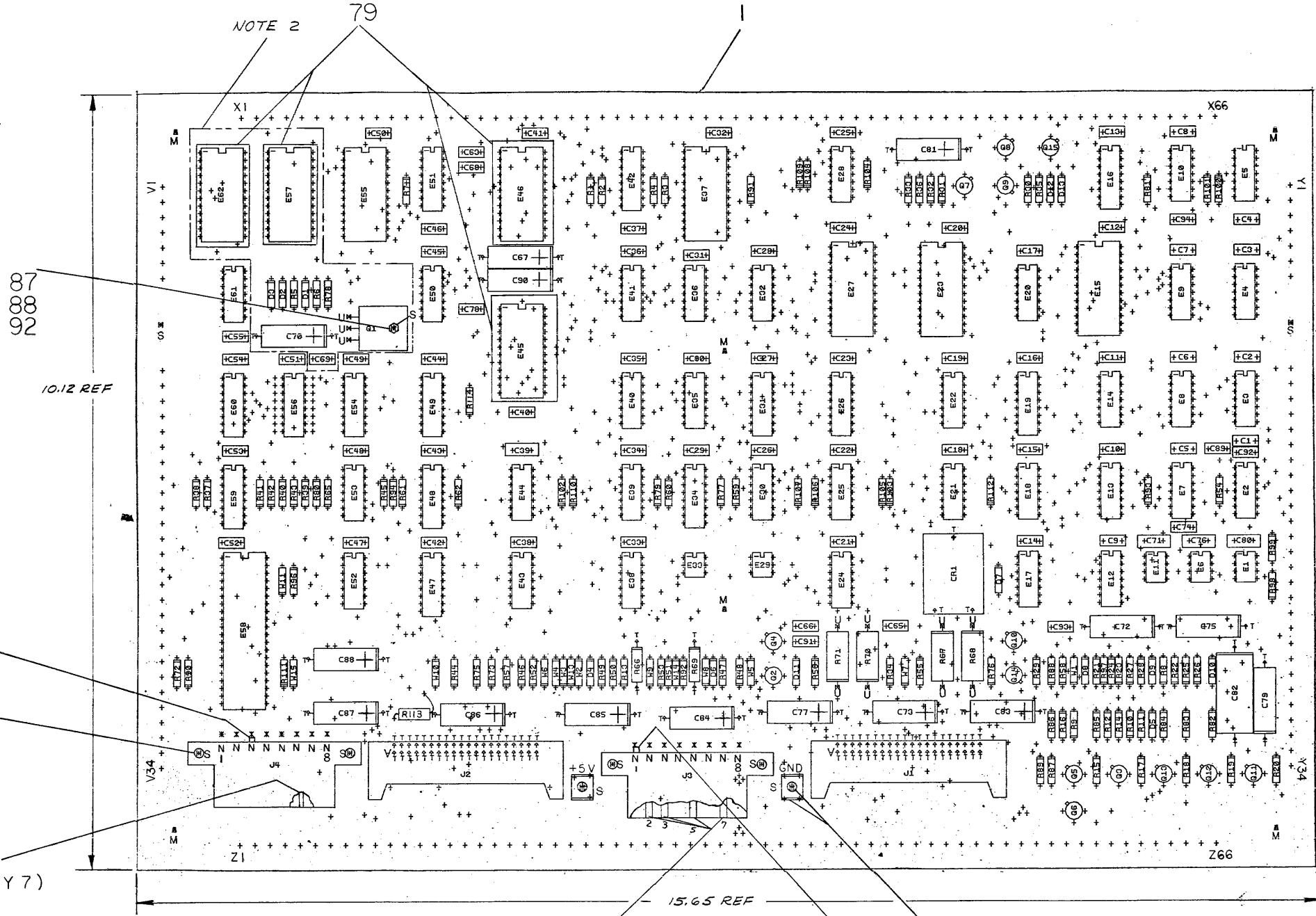


REVISIONS			TITLE		SIZE CODE		NUMBER		REV.
CHK	CHANGE NO.	REV.	LK02 KEYBOARD		D CS		5410736-0-1		F
			SCALE		SHEET	2	OF	2	DIST.

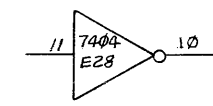
"THIS DRAWING AND SPECIFICATIONS, HEREIN, ARE THE PROPERTY OF DIGITAL EQUIPMENT CORPORATION AND SHALL NOT BE REPRODUCED OR COPIED OR USED IN WHOLE OR IN PART AS THE BASIS FOR THE MANUFACTURE OR SALE OF ITEMS WITHOUT WRITTEN PERMISSION. COPYRIGHT © 1974 DIGITAL EQUIPMENT CORPORATION"

NOTES:

- CONNECTORS:
 J1 → J1 POWER BOARD
 J2 → KEYBOARD/CONTROL SWITCHES
 J3 → 20MA. SERIAL LINE
 J4 → OPTIONAL INTERFACE PORT
- COMPONENTS WITHIN OUTLINE NOT INSERTED IN PREFERRED CONFIGURATION.
- REF DES NOT USED ARE:
 R63, R64, R74, C56-C62, C64, W12



SPARES:

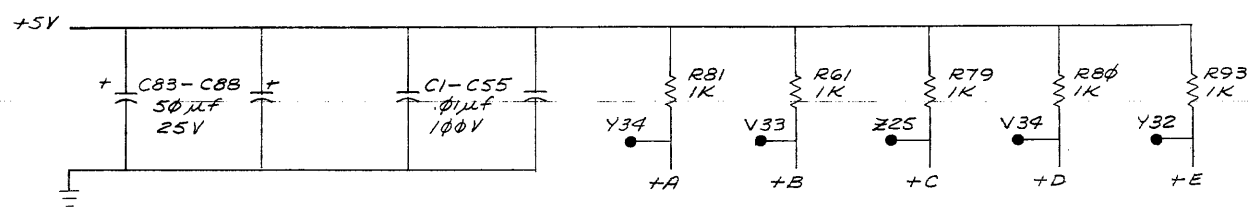


E56 SPARE IC POSITION
 E56-8 = GND
 E56-16 = +5V

BC40	1	8
LM301A	NONE	NONE
1702	NONE	12,15
74123	8	16
74150	12	24
74154	12	24
74161	8	16
74175	8	16
74190	8	16
74193	8	16
7442	8	16
7489	8	16
7493	10	5
MK2600P	12	24
UART	3	1
IC TYPE	GND	+5V

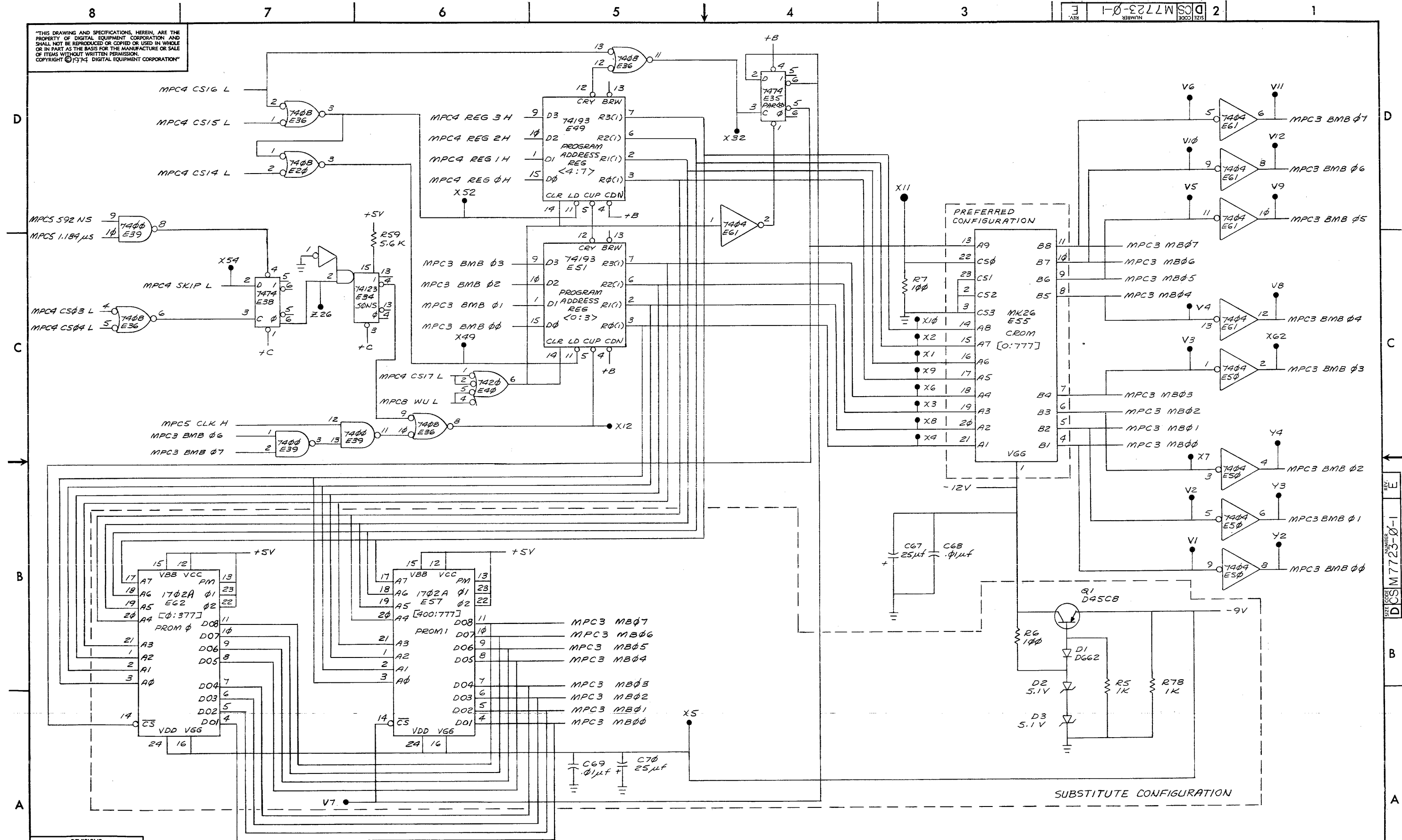
GND AND 5V ARE USUALLY PIN 7 AND 14 RESPECTIVELY EXCEPTIONS ARE STATED ABOVE

IC PIN LOCATIONS



QTY	REF. DESIGNATION	DESCRIPTION	PART NO.	ITEM NO.
FIRST USED ON OPTION MODEL LA36				
ETCH BOARD REV. C				
PARTS LIST				
DRN. J. BITTIO		DATE 8/21/74	<p>TITLE LA36 MPC</p> <p>SIZE CODE NUMBER REV. DCS M7723-0-1 E</p>	
CHK'D. J. BITTIO		DATE 9/24/74		
ENG. R. L. MICKA		DATE 2-10-75		
PROJ. ENG. C. S. WIT		DATE 2-10-75		
PROP. J. P. BROWN		DATE 2-10-75		
NEXT HIGHER ASSY				
SEMICONDUCTOR CONVERSION CHART				
DEC. NO.	EIA NO.	DEC. NO.	EIA NO.	
SCALE 1 OF 8				

"THIS DRAWING AND SPECIFICATIONS, HEREIN, ARE THE PROPERTY OF DIGITAL EQUIPMENT CORPORATION AND SHALL NOT BE REPRODUCED OR COPIED OR USED IN WHOLE OR IN PART AS THE BASIS FOR THE MANUFACTURE OR SALE OF ITEMS WITHOUT WRITTEN PERMISSION. COPYRIGHT © 1974 DIGITAL EQUIPMENT CORPORATION"

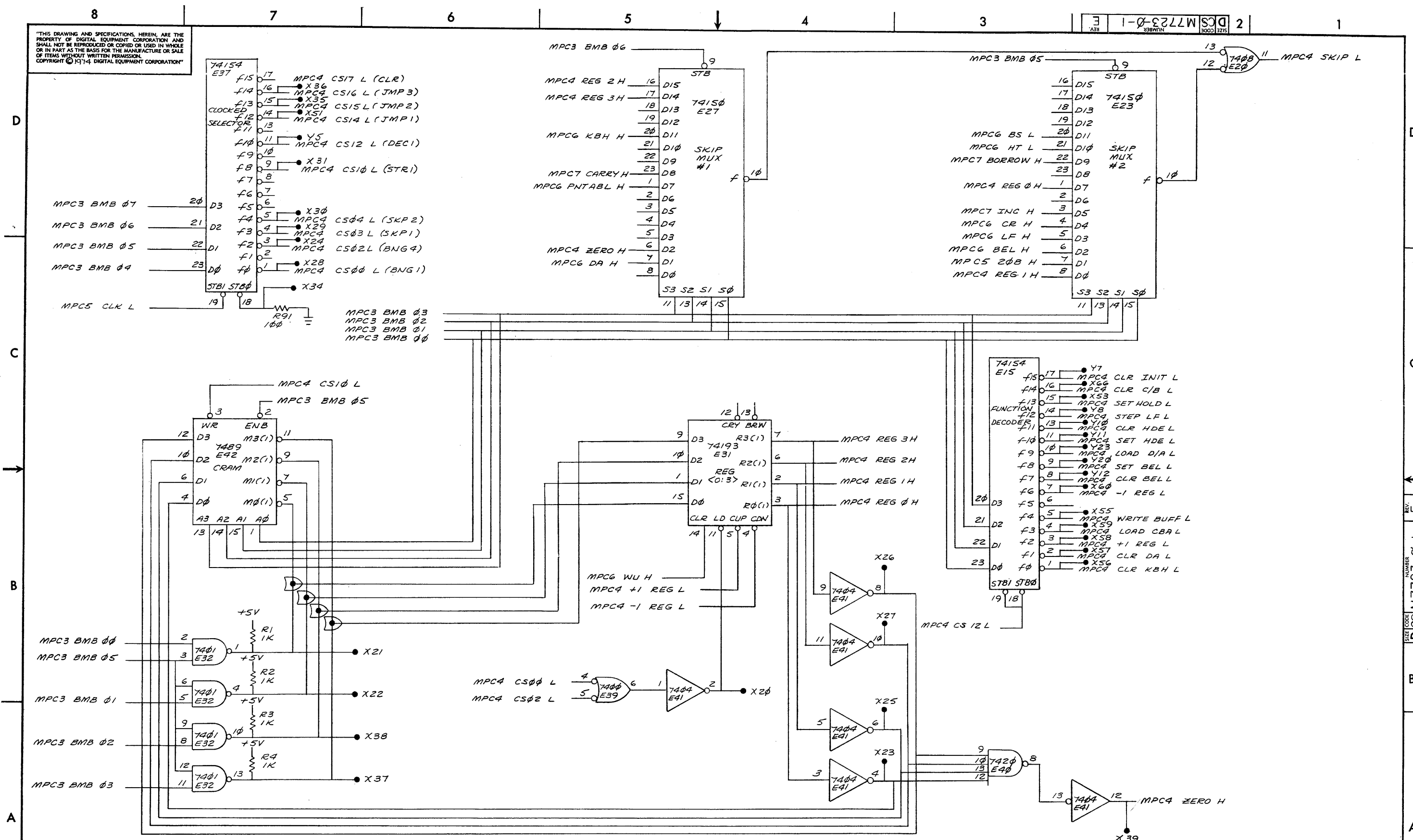


REVISIONS		
CHK	CHANGE NO.	REV.

TITLE	LA36 (MPC3)	SIZE CODE	D CS M7723-0-1	NUMBER		REV.	E
SCALE	++	SHEET	3 OF 8	DIST.			

"THIS DRAWING AND SPECIFICATIONS, HEREIN, ARE THE PROPERTY OF DIGITAL EQUIPMENT CORPORATION AND SHALL NOT BE REPRODUCED OR COPIED OR USED IN WHOLE OR IN PART AS THE BASIS FOR THE MANUFACTURE OR SALE OF ITEMS WITHOUT WRITTEN PERMISSION. COPYRIGHT © 1974 DIGITAL EQUIPMENT CORPORATION"

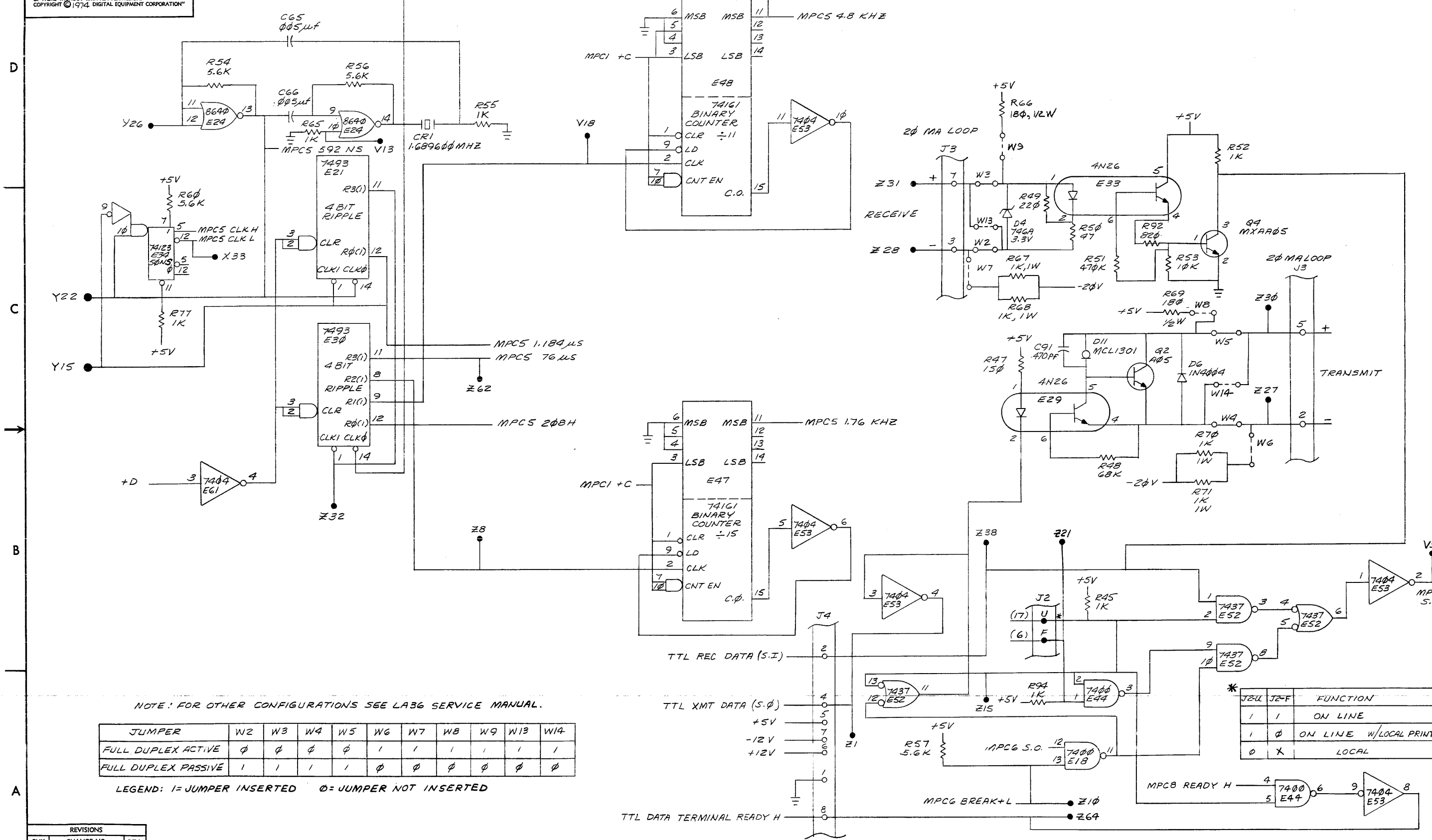
REV. 1-0-1
 NUMBER
 SIZE CODE
 DCS M7723-0-1



REVISIONS		
CHK	CHANGE NO.	REV.

TITLE LA36 (MPC4) SIZE CODE DCS NUMBER M7723-0-1 REV. E
 SCALE 1:1 SHEET 4 OF 8 DIST.

"THIS DRAWING AND SPECIFICATIONS, HEREIN, ARE THE PROPERTY OF DIGITAL EQUIPMENT CORPORATION AND SHALL NOT BE REPRODUCED OR COPIED OR USED IN WHOLE OR IN PART AS THE BASIS FOR THE MANUFACTURE OR SALE OF ITEMS WITHOUT WRITTEN PERMISSION. COPYRIGHT © 1974, DIGITAL EQUIPMENT CORPORATION"



NOTE: FOR OTHER CONFIGURATIONS SEE LA36 SERVICE MANUAL.

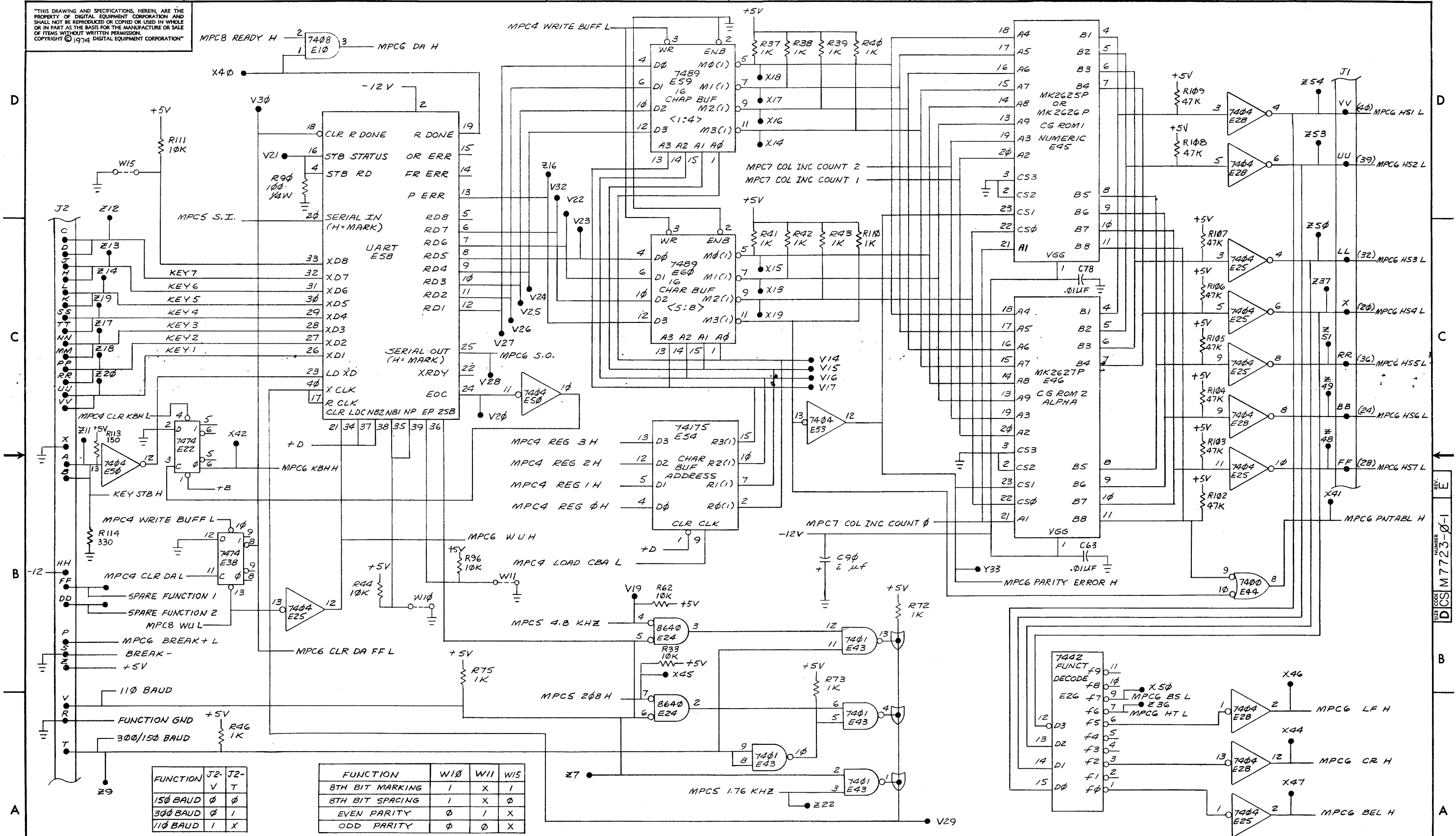
JUMPER	W2	W3	W4	W5	W6	W7	W8	W9	W13	W14
FULL DUPLEX ACTIVE	∅	∅	∅	∅	∅	∅	∅	∅	∅	∅
FULL DUPLEX PASSIVE	1	1	1	1	∅	∅	∅	∅	∅	∅

LEGEND: 1= JUMPER INSERTED ∅= JUMPER NOT INSERTED

J2U	J2-F	FUNCTION
1	1	ON LINE
1	∅	ON LINE W/LOCAL PRINT
∅	X	LOCAL

REVISIONS		
CHK	CHANGE NO.	REV.

"THIS DRAWING AND SPECIFICATIONS, HEREIN, ARE THE PROPERTY OF DIGITAL EQUIPMENT CORPORATION AND SHALL NOT BE REPRODUCED OR COPIED OR USED IN WHOLE OR IN PART AS THE BASIS FOR THE MANUFACTURE OR SALE OF ITEMS WITHOUT WRITTEN PERMISSION. COPYRIGHT © 1974 DIGITAL EQUIPMENT CORPORATION"



FUNCTION	J2	J2-
150 BAUD	φ	T
300 BAUD	φ	I
110 BAUD	I	X

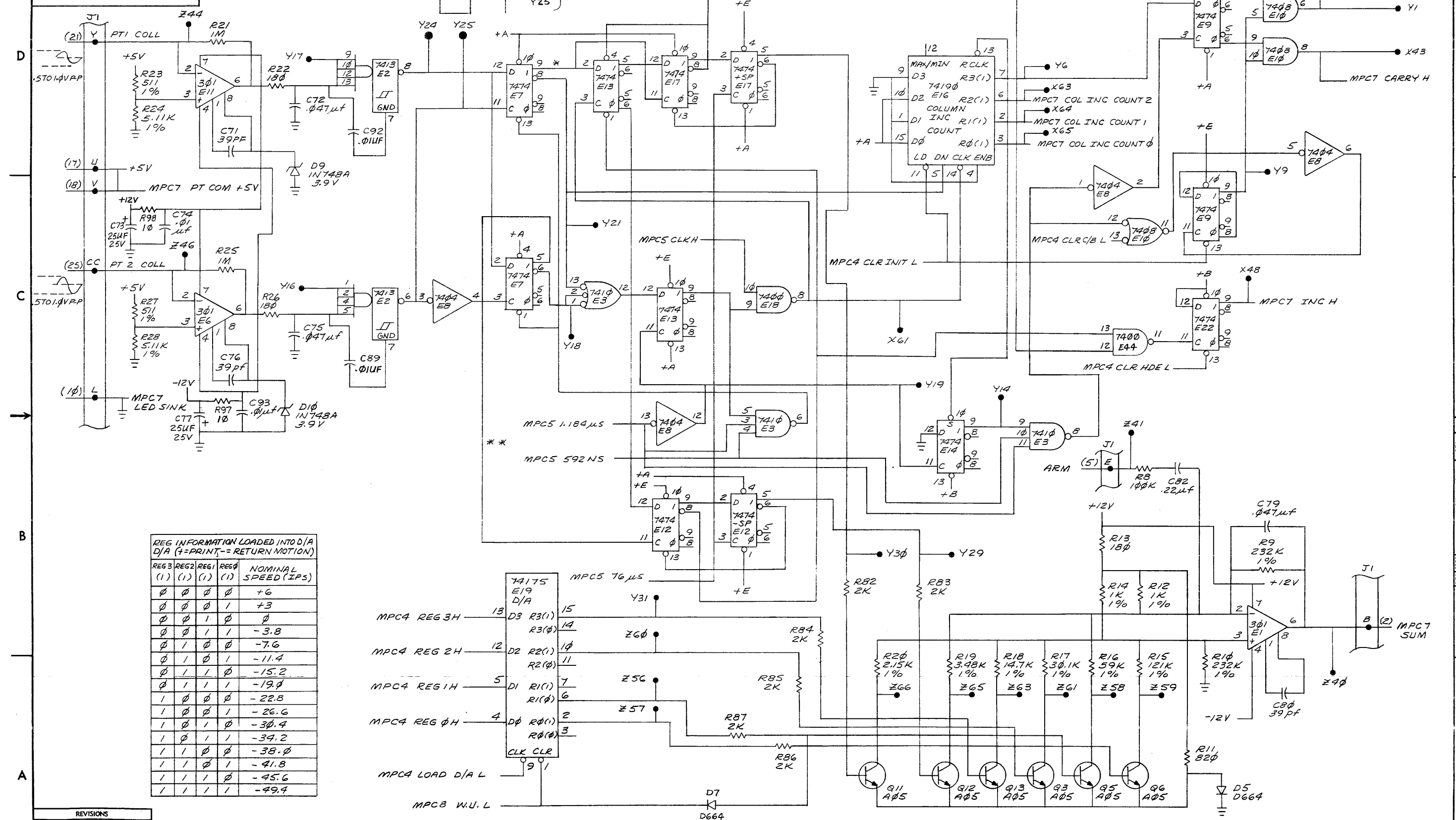
FUNCTION	W10	W11	W15
8TH BIT MARKING	I	X	I
8TH BIT SPACING	I	X	φ
EVEN PARITY	φ	I	X
ODD PARITY	φ	φ	X

LEGEND: φ = JUMPER INSERTED
I = JUMPER NOT INSERTED
X = DON'T CARE

REVISIONS		
CHK	CHANGE NO.	REV.

"THIS DRAWING AND SPECIFICATIONS, HEREIN, ARE THE PROPERTY OF DIGITAL EQUIPMENT CORPORATION AND SHALL NOT BE REPRODUCED OR COPIED OR USED IN WHOLE OR IN PART AS THE BASIS FOR THE MANUFACTURE OR SALE OF ITEMS WITHOUT WRITTEN PERMISSION. COPYRIGHT © 1974 DIGITAL EQUIPMENT CORPORATION"

* PRINT MOTION (.010")
 ** RETURN MOTION (.010")



REG INFORMATION LOADED INTO D/A D/A (+=PRINT, -= RETURN MOTION)

REG3	REG2	REG1	REG0	NOMINAL SPEED (IPS)
0	0	0	0	+6
0	0	0	1	+3
0	0	1	0	0
0	0	1	1	-3.8
0	1	0	0	-7.6
0	1	0	1	-11.4
0	1	1	0	-15.2
0	1	1	1	-19.0
1	0	0	0	-22.8
1	0	0	1	-26.6
1	0	1	0	-30.4
1	0	1	1	-34.2
1	1	0	0	-38.0
1	1	0	1	-41.8
1	1	1	0	-45.6
1	1	1	1	-49.4

REVISIONS

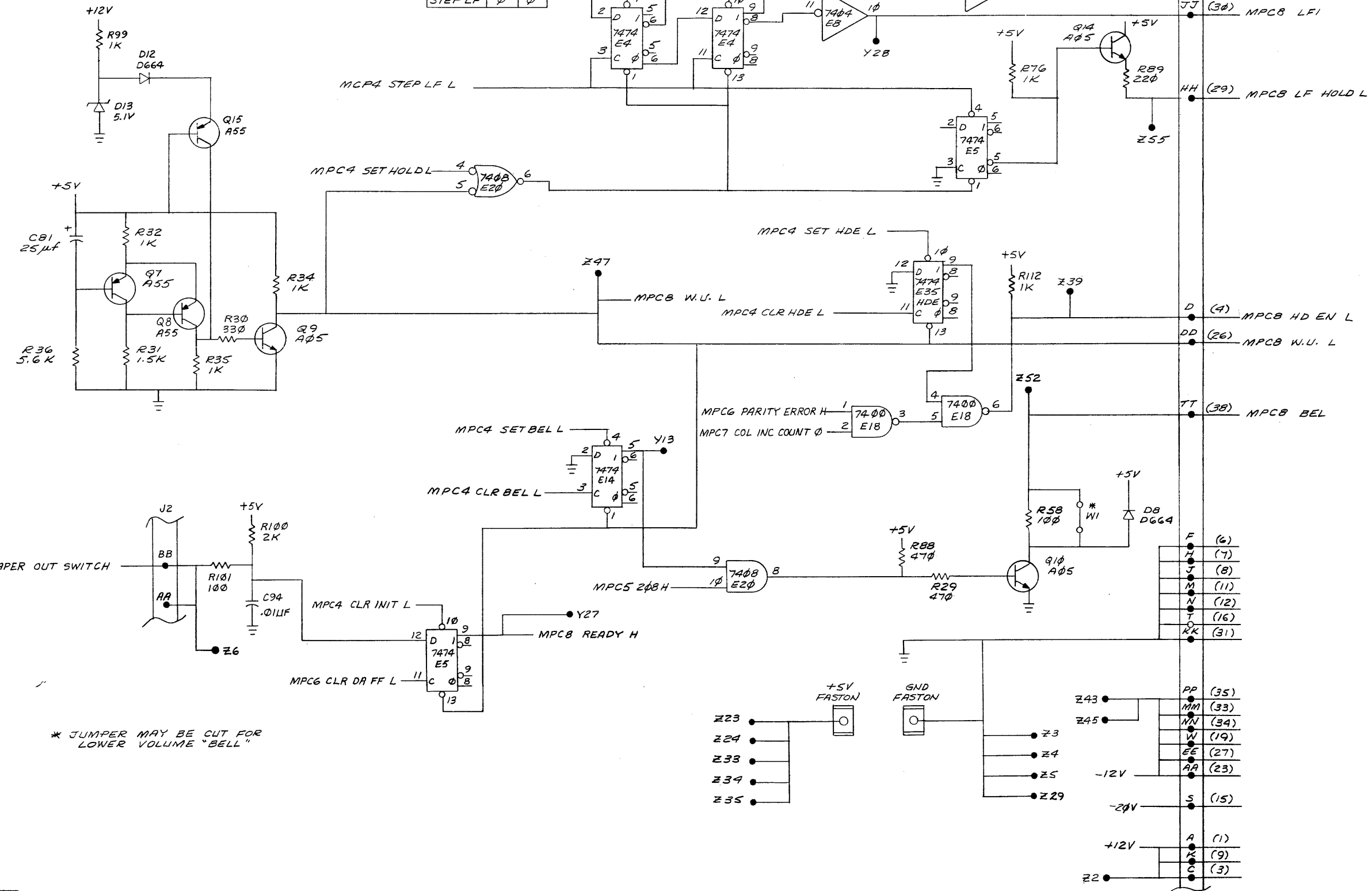
CHK	CHANGE NO.	REV.

"THIS DRAWING AND SPECIFICATIONS, HEREIN, ARE THE PROPERTY OF DIGITAL EQUIPMENT CORPORATION AND SHALL NOT BE REPRODUCED OR COPIED OR USED IN WHOLE OR IN PART AS THE BASIS FOR THE MANUFACTURE OR SALE OF ITEMS WITHOUT WRITTEN PERMISSION. COPYRIGHT © 1967 DIGITAL EQUIPMENT CORPORATION"

	LF2	LF1
HOLD	0	0
STEP LF	0	1
STEP LF	1	1
STEP LF	1	0
STEP LF	0	0

D
C
B
A

D
C
B
A



* JUMPER MAY BE CUT FOR LOWER VOLUME "BELL"

REVISIONS		
CHK	CHANGE NO.	REV.

TITLE	LA36 (MPC8)	SIZE CODE	DCS	NUMBER	M7723-0-1	REV.	E
SCALE	1/1	SHEET	8	OF	8	DIST.	

This drawing and specifications, herein, are the property of Digital Equipment Corporation and shall not be reproduced or copied or used in whole or in part as the basis for the manufacture or sale of items without written permission.

DIGITAL EQUIPMENT CORPORATION MAYNARD MASSACHUSETTS

PACKAGING INSTRUCTION

REV: A DATE: 7/75
 B 1/76

TITLE
DECwriter

MATERIAL REQUIREMENTS

Quantity	Purchase Specification No.	Description
1	9905601	Stitched Tube
1	9905601-01	Full Telescope Cap
1	9905639	Pad with Foam (LA36/LA35 only)
1	9905129-39	Poly Bag
1	9905651	Wood Skid
1	9905651-01	Wood Brace (2 X 3)
2	90-09288	Tee Nut
2	90-09290-03	3/8-16 X 3 Hex-Head Bolt
1	36-12520-0-0	Caution Tag
6 ft	90-09634	Stain Resistant Tape (3M)
1	90-07032	Panduit Cable Tie
20 ft	9905734-02	Polypropylene Strapping
1	9905129-35	Poly Bag

PACKAGING INSTRUCTIONS

- | Step | Procedure |
|------|--|
| 1. | Lift the cover and slide the print head to the left as far as it will go. Slip the Panduit Cable Tie (90-07032) around the ribbon rollers (A and B). Do not over-tighten. Fasten Caution Tag (36-12520-0-0) to tractor drive shaft. Close cover. |
| 2. | Place Pad with Foam (9905639) (foam side down) on top of the LA36/LA35 keyboard. Tape with two (2) strips of glass filament tape (90-09634). Tape back door closed, using two (2) strips of tape. |
| 3. | Place DECwriter on top of Skid Deck (9905651). |
| 4. | Place all hardware and software into Poly Bag (9905129-35) and staple to deck of skid. |
| 5. | Place one strip of CW21 (Custom Wrap) or Microfoam, over each leg of the DECwriter. |
| 6. | Place Wood Brace (9905651-01) on top of legs <i>as far back as it will go</i> to properly align the bolt holes. |
| 7. | Place Hex-Head Bolts (90-09290-03) through the bolt holes in the wood brace; place the Tee Nuts (90-09288) up and underneath the skid deck; then tighten down. |
| 8. | Place a Poly Bag (9905129-39) over the DECwriter. Then, place the Stitched Tube (9905601) over and around the unit. Assemble Full Telescope Cap (9905601-01) and place on top of Stitched Tube. |

NOTE

Make sure that the Stitched Tube is resting on the wood skid base, on all 4 sides.

9. Strap in two places as shown in Figure 2. Use Polypropylene strapping (9905734-02).

ENG <i>Ken Merian</i>	12/22/75	APPD <i>D. W. Lawrence</i>	12/29/75	SIZE A	CODE SP	NUMBER 3700131-0-0	REV B
--------------------------	----------	-------------------------------	----------	-----------	------------	-----------------------	----------

DEC 8-(551)-1031-1-R671
DRA - 129

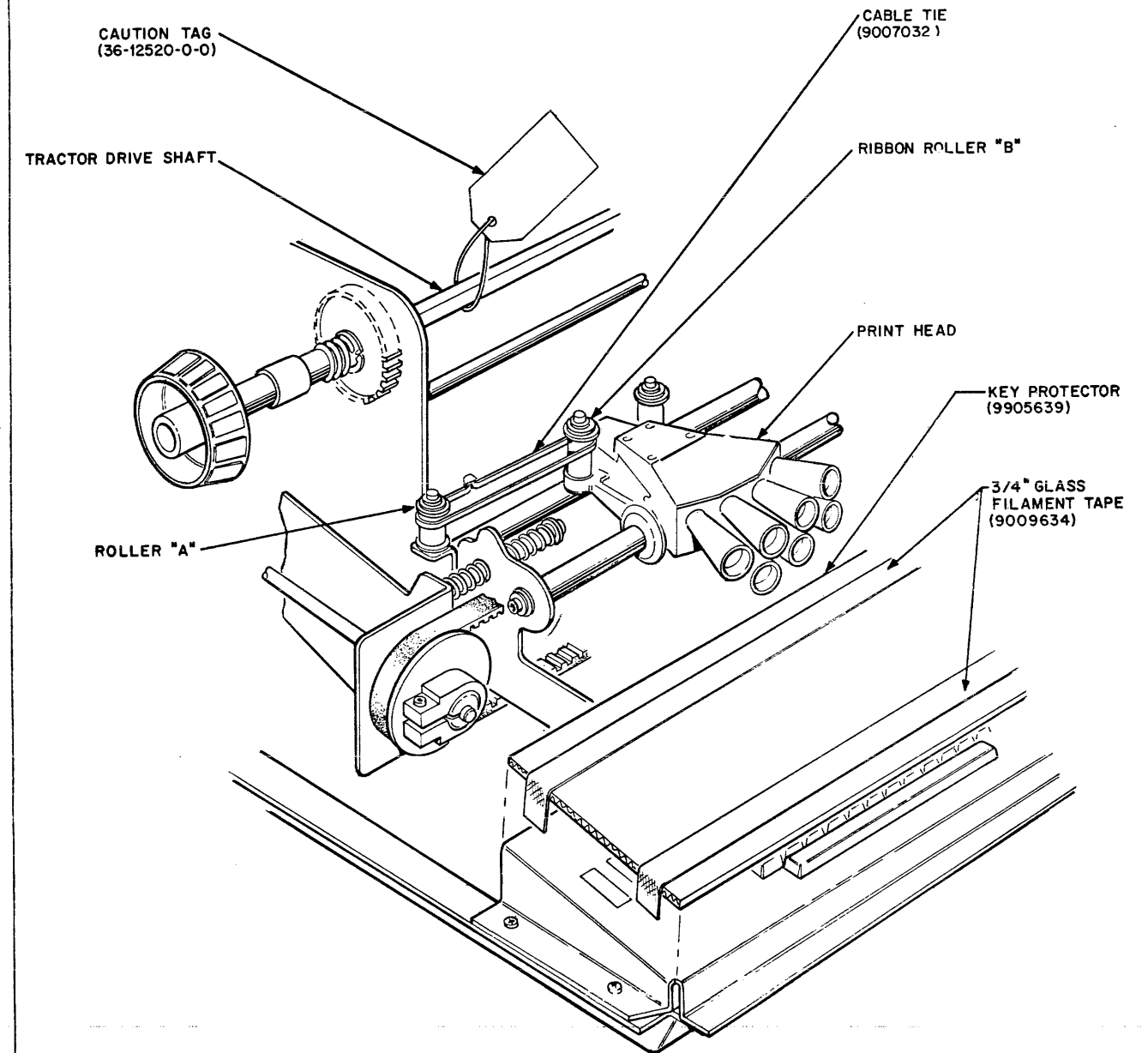
SHEET 1 OF 3

PACKAGING INSTRUCTION

REV: _____ DATE: _____

TITLE
DECWRITER

This drawing and specifications, herein, are the property of Digital Equipment Corporation and shall not be reproduced or copied or used in whole or in part as the basis for the manufacture or sale of items without written permission.



NOTE:
Make changes to "C" size original only and rephotograph.

ENG.	APPD. <i>D. W. Lawrence</i>	7/7/75	SIZE A	CODE SP	NUMBER 3700131-0-0	REV B
------	--------------------------------	--------	-----------	------------	-----------------------	----------

DRC-108

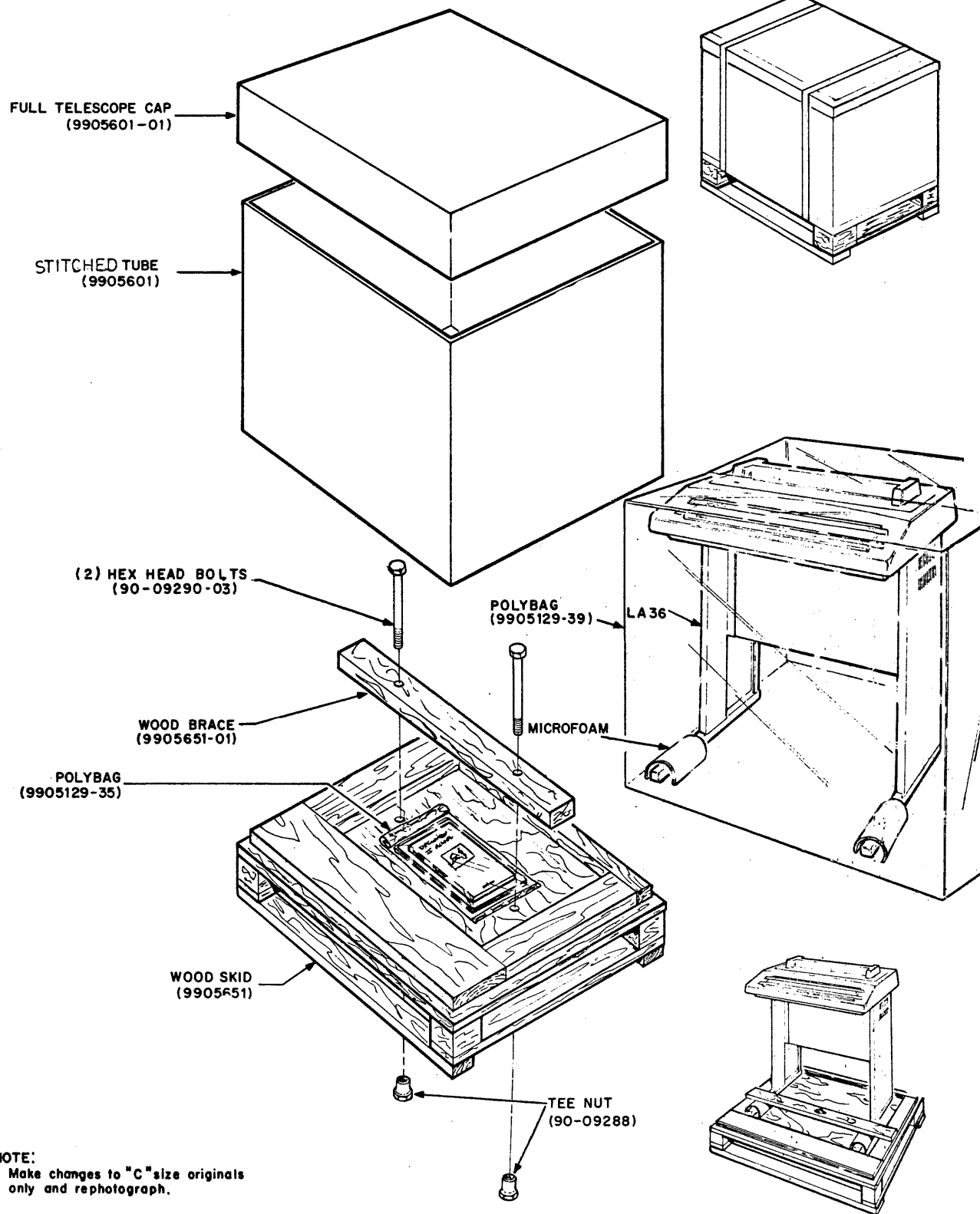
SHEET 2 OF 3

This drawing and specifications, herein, are the property of Digital Equipment Corporation and shall not be reproduced or copied or used in whole or in part as the basis for the manufacture or sale of items without written permission.

PACKAGING INSTRUCTION

REV: _____ DATE: _____

TITLE
DECWRITER



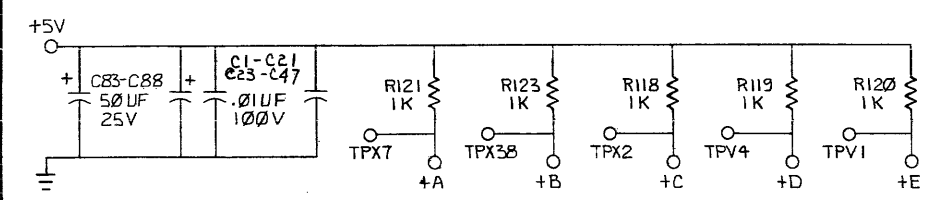
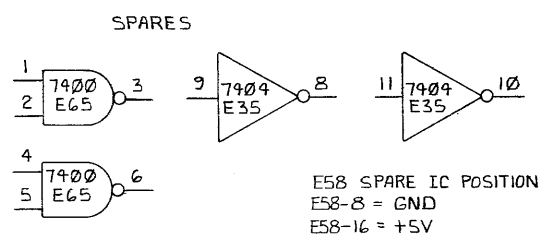
NOTE:
Make changes to "C" size originals
only and rephotograph.

ENG. <i>Ken Merian</i>	2/24/75	APPD. <i>J. W. Lawrence</i>	2/24/75	SIZE A	CODE SP	NUMBER 3700131-0-0	REV. B
---------------------------	---------	--------------------------------	---------	-----------	------------	-----------------------	-----------

DRC-108

"THIS DRAWING AND SPECIFICATIONS, HEREIN, ARE THE PROPERTY OF DIGITAL EQUIPMENT CORPORATION AND SHALL NOT BE REPRODUCED OR COPIED OR USED IN WHOLE OR IN PART AS THE BASIS FOR THE MANUFACTURE OR SALE OF ITEMS WITHOUT WRITTEN PERMISSION. COPYRIGHT © 1975 DIGITAL EQUIPMENT CORPORATION"

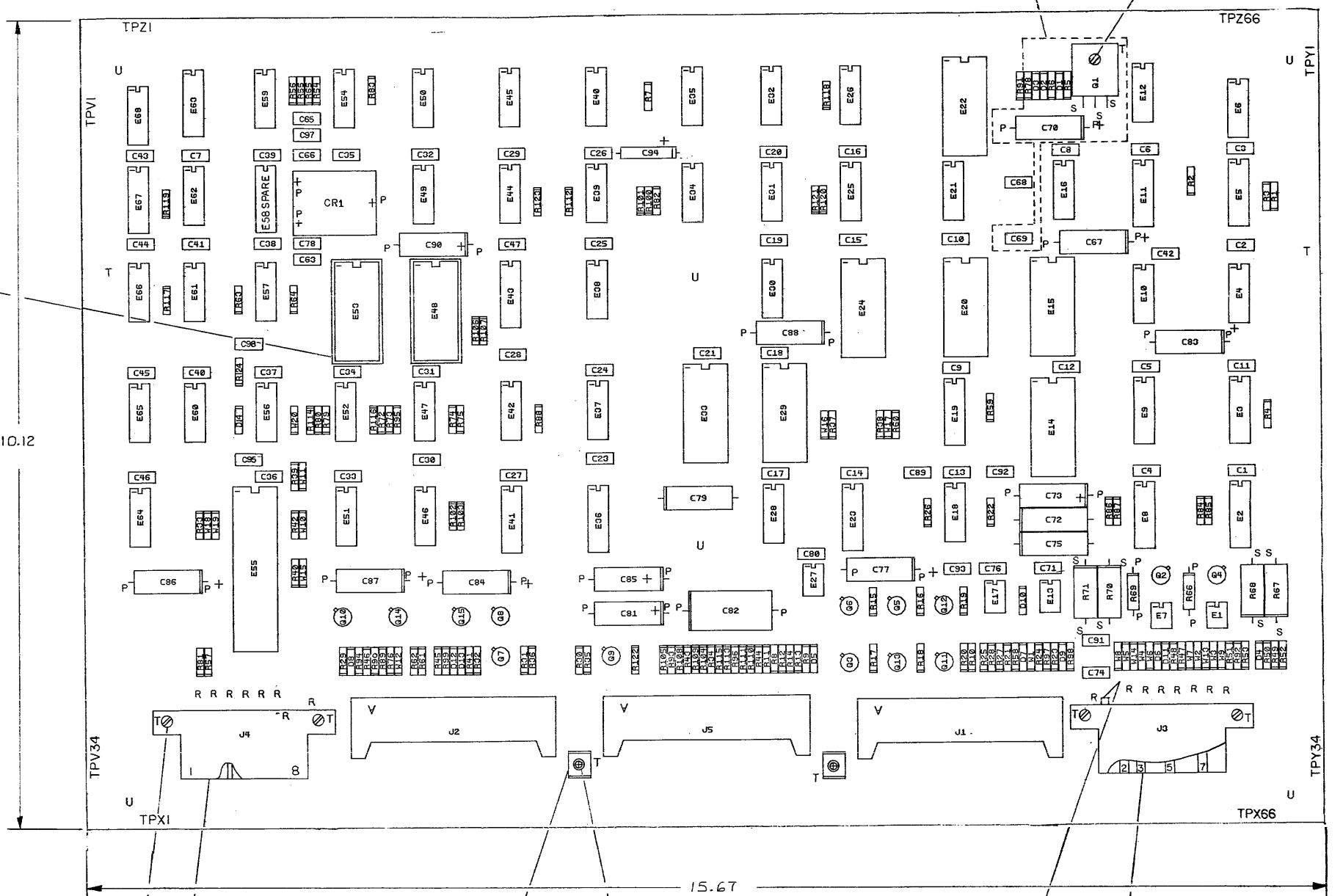
- NOTES:**
- CONNECTORS:
 J1 → J1 POWER BOARD
 J2 → KEYBOARD
 J3 → 20MA. SERIAL LINE
 J4 → OPTIONAL INTERFACE PORT
 J5 → J5 EXPANDER OPTION MOUNTING BOARD
 - COMPONENTS WITHIN OUTLINE NOT INSERTED IN PREFERRED CONFIGURATION
 - REF DES NOT USED ARE:
 C60, C61, C62, C64, C48-C58, C96
 - MAXIMUM REF DES USED ARE:
 W20, R124, E66, C98, D14, J5, CR1, Q15



8640	1	8
LM301A	—	—
1702A	—	16
74123	8	16
74150	12	24
74154	12	24
74161	8	16
74175	8	16
74190	8	16
74193	8	16
7442	8	16
7489	8	16
7493	10	5
MK2600P	12	24
UART	3	1
IC TYPE	GND	+5V

GND AND 5V ARE USUALLY PIN 7 AND 14 RESPECTIVELY EXCEPTIONS ARE STATED ABOVE

IC PIN LOCATIONS



92 93 19 23 (QTY 8) 94 96 25 19 23 (QTY 4) LOCATIONS 2,3,5,7 ONLY

QTY	REF. DESIGNATION	DESCRIPTION	PART NO.	ITEM NO.
	LA36	ETCH BOARD REV. C		

DRN. <i>Robert Hoppner</i>	DATE 5-23-75	
CHK'D. <i>Bernie J. Lewis</i>	DATE 5-28-75	
ENG. <i>Rayson</i>	DATE 5-28-75	
PROD. ENG. <i>Rayson</i>	DATE 5-28-75	
PROD. <i>J.P. G...</i>	DATE 5-28-75	
NEXT HIGHER ASSY		TITLE LA36 MPC
SCALE	SHEET OF 9	SIZE CODE DCS NUMBER M7728-0-1 REV. D

REVISIONS

CHK	CHANGE NO.	REV.

J. BITTO 5-1-76
 R. LOMICKA 6/25/75
 M7728-00001 B
 M7728-00002 C
 M7728-00003 D

SEMICONDUCTOR CONVERSION CHART

DEC. NO.	EIA NO.	DEC. NO.	EIA NO.

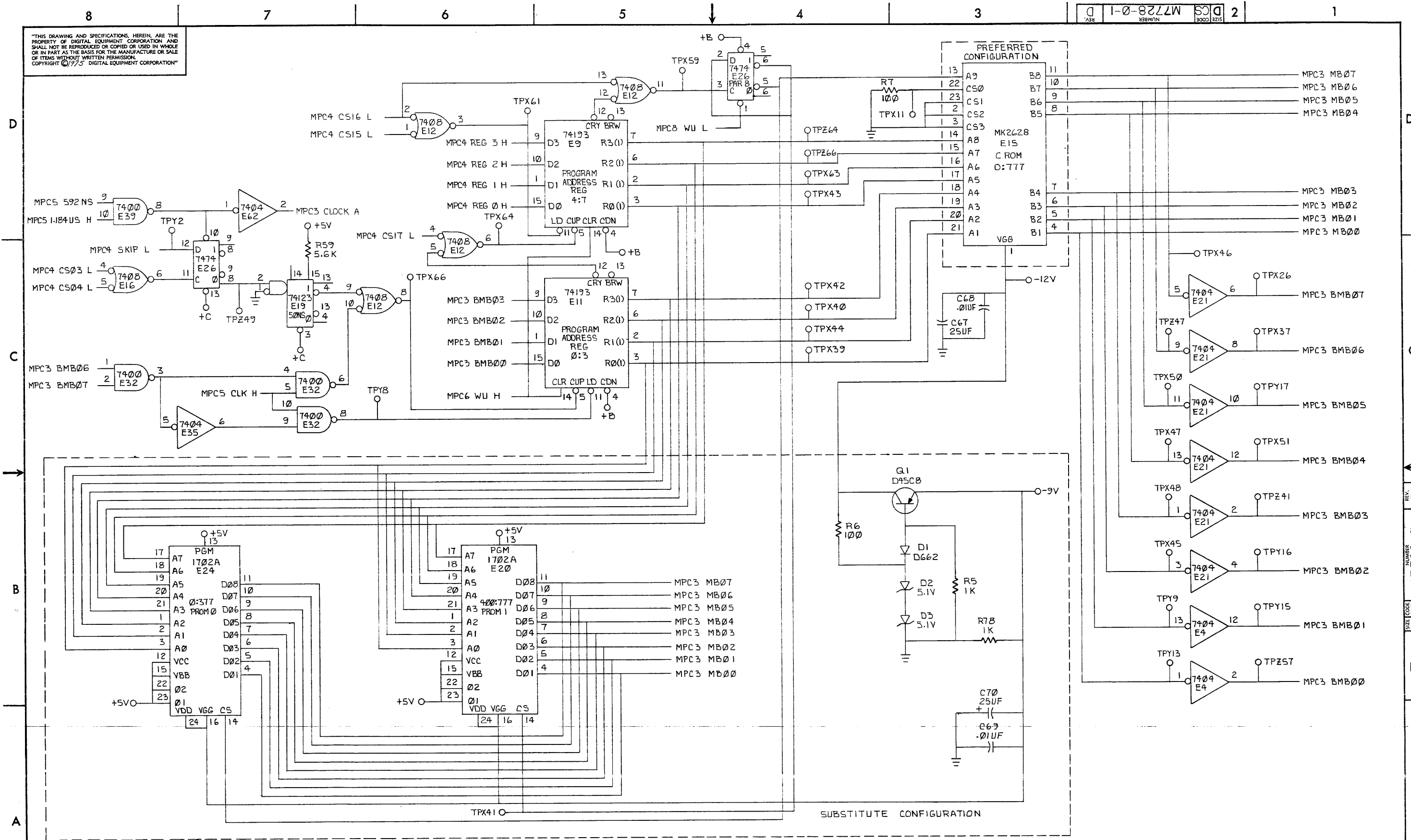
"THIS DRAWING AND SPECIFICATIONS HEREIN, ARE THE PROPERTY OF DIGITAL EQUIPMENT CORPORATION AND SHALL NOT BE REPRODUCED OR COPIED OR USED IN WHOLE OR IN PART AS THE BASIS FOR THE MANUFACTURE OR SALE OF ITEMS WITHOUT WRITTEN PERMISSION. COPYRIGHT ©1975 DIGITAL EQUIPMENT CORPORATION"

Table with columns: QTY/VAR, REFERRED, SUBSTITUTE, REF, REF, REF. DESIGNATION, DESCRIPTION, PART NO., ITEM NO. Includes components like ETCHED CIRCUIT BOARD, CAPACITORS, DIODES, and RESISTORS.

Table with columns: QTY/VAR, REFERRED, SUBSTITUTE, REF, REF, REF. DESIGNATION, DESCRIPTION, PART NO., ITEM NO. Includes components like RESISTORS, TRANSISTORS, PROMS, ROMS, and FASTON TERMINALS.

REVISIONS table with columns: CHK, CHANGE NO., REV.

"THIS DRAWING AND SPECIFICATIONS, HEREIN, ARE THE PROPERTY OF DIGITAL EQUIPMENT CORPORATION AND SHALL NOT BE REPRODUCED OR COPIED OR USED IN WHOLE OR IN PART AS THE BASIS FOR THE MANUFACTURE OR SALE OF ITEMS WITHOUT WRITTEN PERMISSION. COPYRIGHT ©1975 DIGITAL EQUIPMENT CORPORATION"

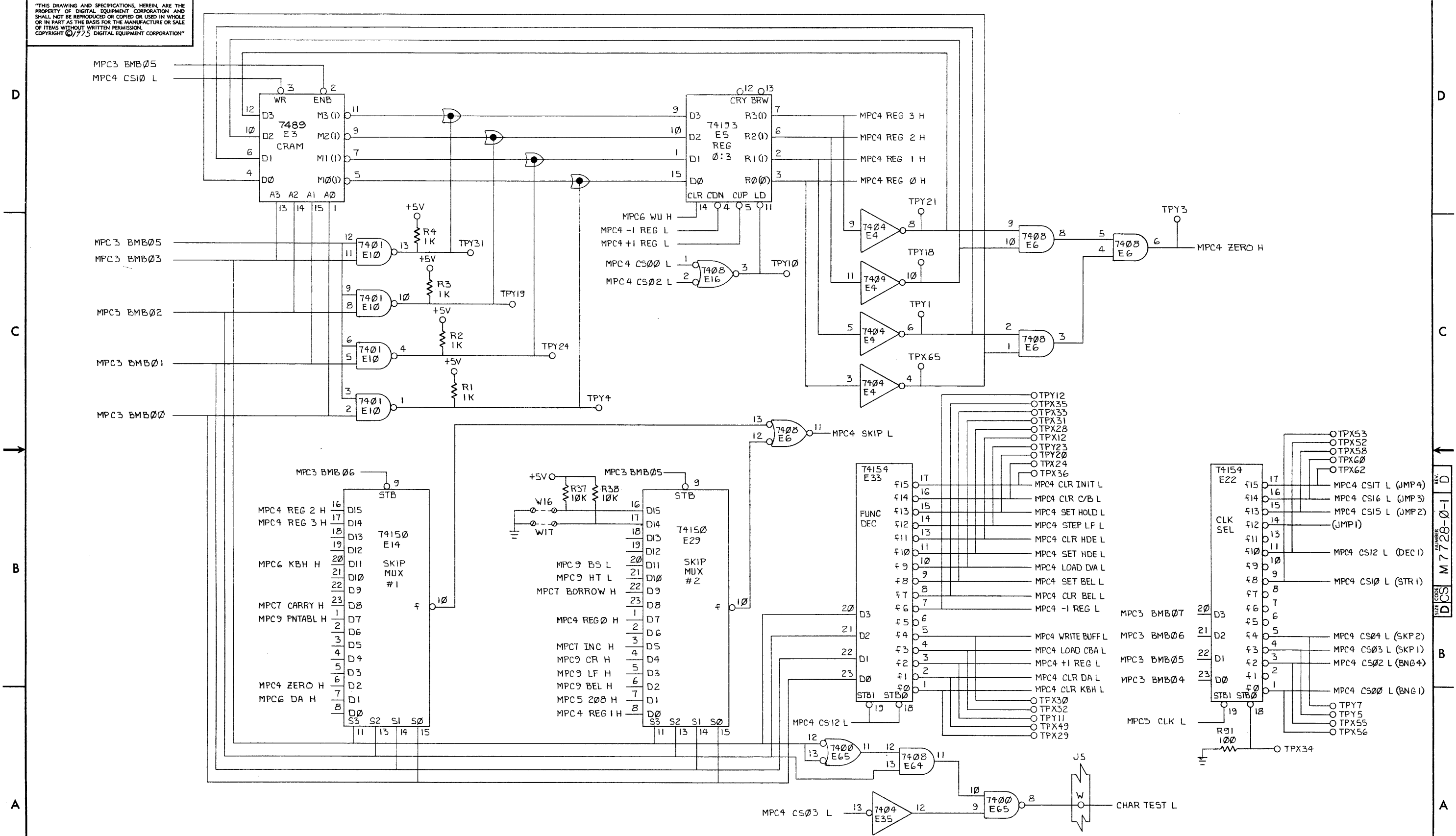


REVISIONS		
CHK	CHANGE NO.	REV.

TITLE	LA36 MPC	SIZE CODE	D CS	NUMBER	M7728-0-1	REV.	D
SCALE	1/1	SHEET	3	OF	9	DIST.	

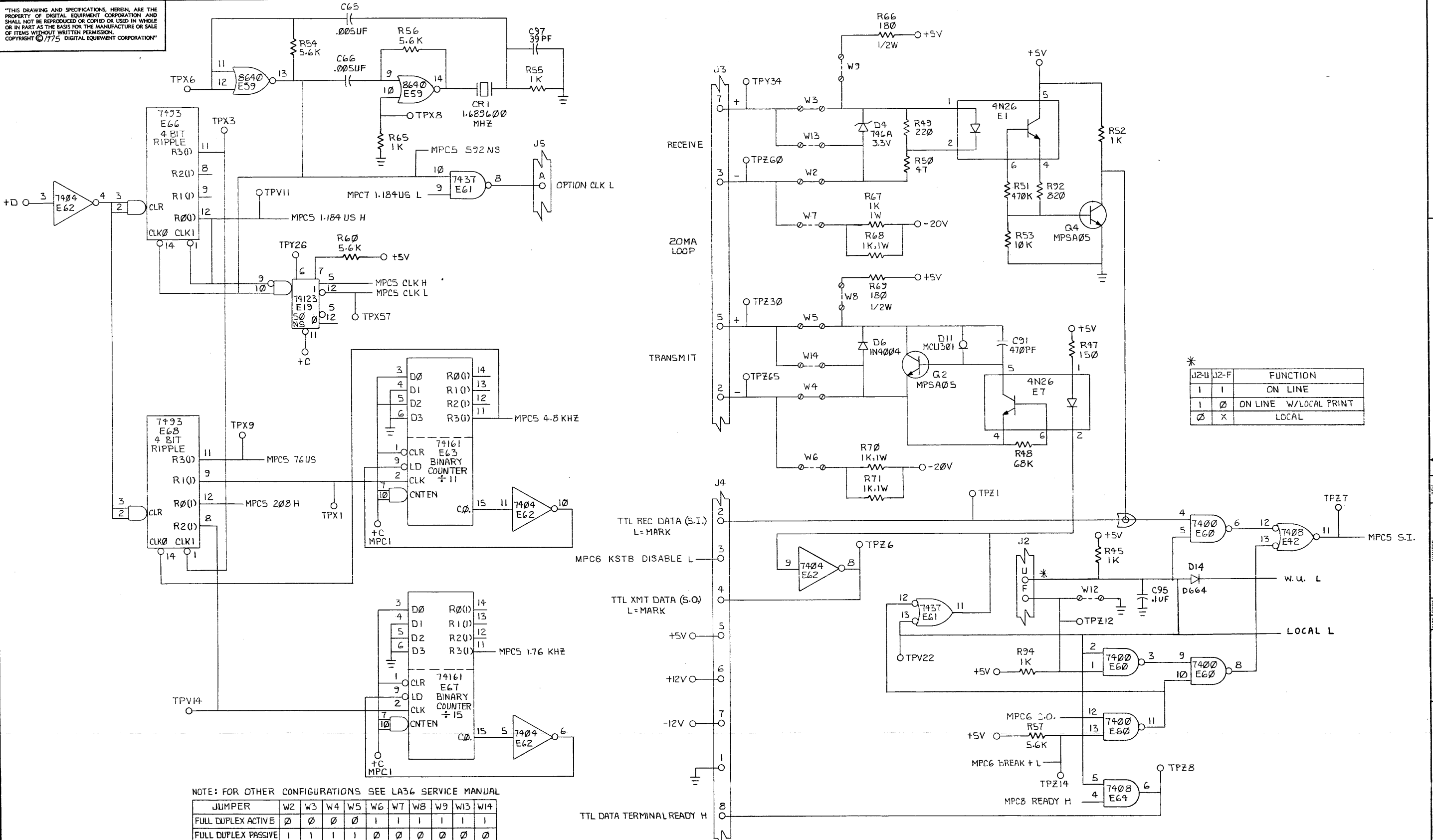
REV. D NUMBER M7728-0-1 SIZE CODE DCS

"THIS DRAWING AND SPECIFICATIONS HEREIN ARE THE PROPERTY OF DIGITAL EQUIPMENT CORPORATION AND SHALL NOT BE REPRODUCED OR COPIED OR USED IN WHOLE OR IN PART AS THE BASIS FOR THE MANUFACTURE OR SALE OF ITEMS WITHOUT WRITTEN PERMISSION. COPYRIGHT © 1975 DIGITAL EQUIPMENT CORPORATION"



REVISIONS		
CHK	CHANGE NO.	REV.

"THIS DRAWING AND SPECIFICATIONS, HEREIN, ARE THE PROPERTY OF DIGITAL EQUIPMENT CORPORATION AND SHALL NOT BE REPRODUCED OR COPIED OR USED IN WHOLE OR IN PART AS THE BASIS FOR THE MANUFACTURE OR SALE OF ITEMS WITHOUT WRITTEN PERMISSION. COPYRIGHT © 1975 DIGITAL EQUIPMENT CORPORATION"



* J2-U J2-F FUNCTION

1	1	ON LINE
1	0	ON LINE W/LOCAL PRINT
0	X	LOCAL

NOTE: FOR OTHER CONFIGURATIONS SEE LA36 SERVICE MANUAL

JUMPER	W2	W3	W4	W5	W6	W7	W8	W9	W13	W14
FULL DUPLEX ACTIVE	0	0	0	0	1	1	1	1	1	1
FULL DUPLEX PASSIVE	1	1	1	1	0	0	0	0	0	0

LEGEND: 1 = JUMPER INSERTED
0 = JUMPER NOT INSERTED

REVISIONS

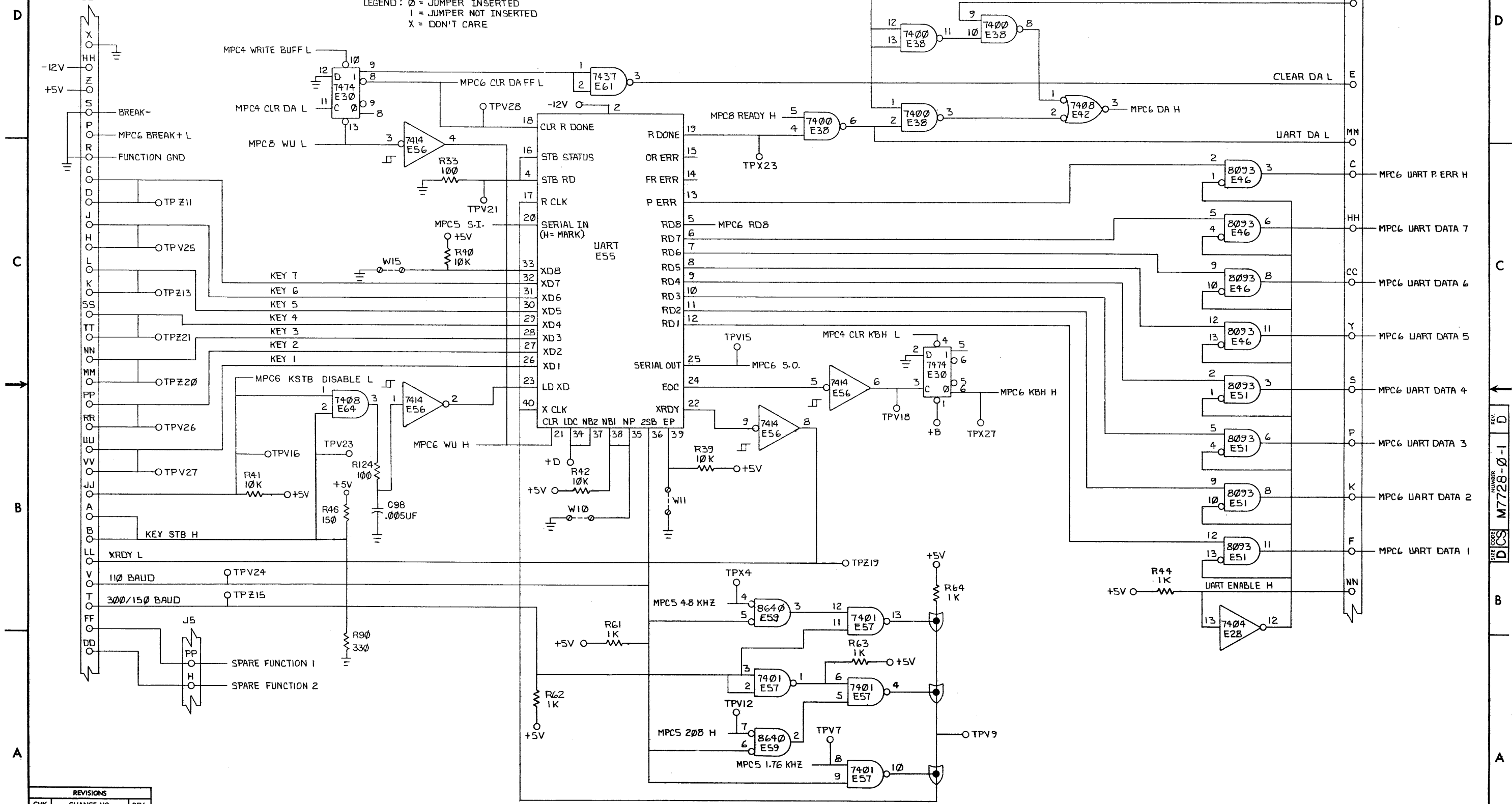
CHK	CHANGE NO.	REV.

"THIS DRAWING AND SPECIFICATIONS, HEREIN, ARE THE PROPERTY OF DIGITAL EQUIPMENT CORPORATION AND SHALL NOT BE REPRODUCED OR COPIED OR USED IN WHOLE OR IN PART AS THE BASIS FOR THE MANUFACTURE OR SALE OF ITEMS WITHOUT WRITTEN PERMISSION. COPYRIGHT © 1975 DIGITAL EQUIPMENT CORPORATION"

FUNCTION	J2-V	J2-T
150 BAUD	0	0
300 BAUD	0	1
110 BAUD	1	X

FUNCTION	W10	W11	W15
8TH BIT MARKING	1	X	1
8TH BIT SPACING	1	X	0
EVEN PARITY	0	1	X
ODD PARITY	0	0	X

LEGEND: 0 = JUMPER INSERTED
1 = JUMPER NOT INSERTED
X = DON'T CARE

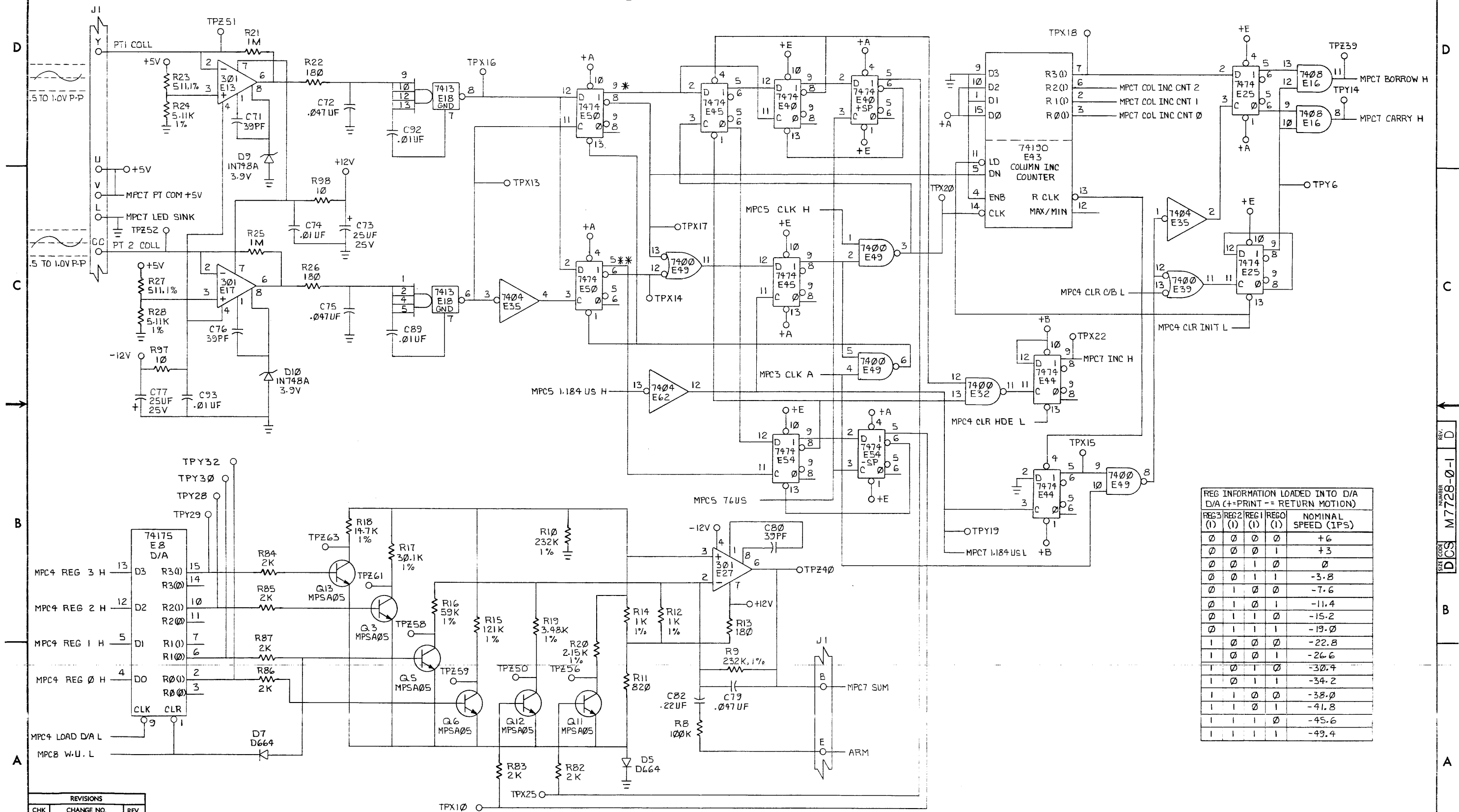
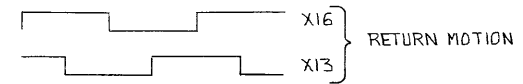


REVISIONS		
CHK	CHANGE NO.	REV.

REV. D NUMBER M7728-0-1 DCS

"THIS DRAWING AND SPECIFICATIONS, HEREIN, ARE THE PROPERTY OF DIGITAL EQUIPMENT CORPORATION AND SHALL NOT BE REPRODUCED OR COPIED OR USED IN WHOLE OR IN PART AS THE BASIS FOR THE MANUFACTURE OR SALE OF ITEMS WITHOUT WRITTEN PERMISSION. COPYRIGHT © 1975 DIGITAL EQUIPMENT CORPORATION"

* PRINT MOTION (.010")
 ** RETURN MOTION (.010")



REG INFORMATION LOADED INTO D/A
 D/A (+ = PRINT - = RETURN MOTION)

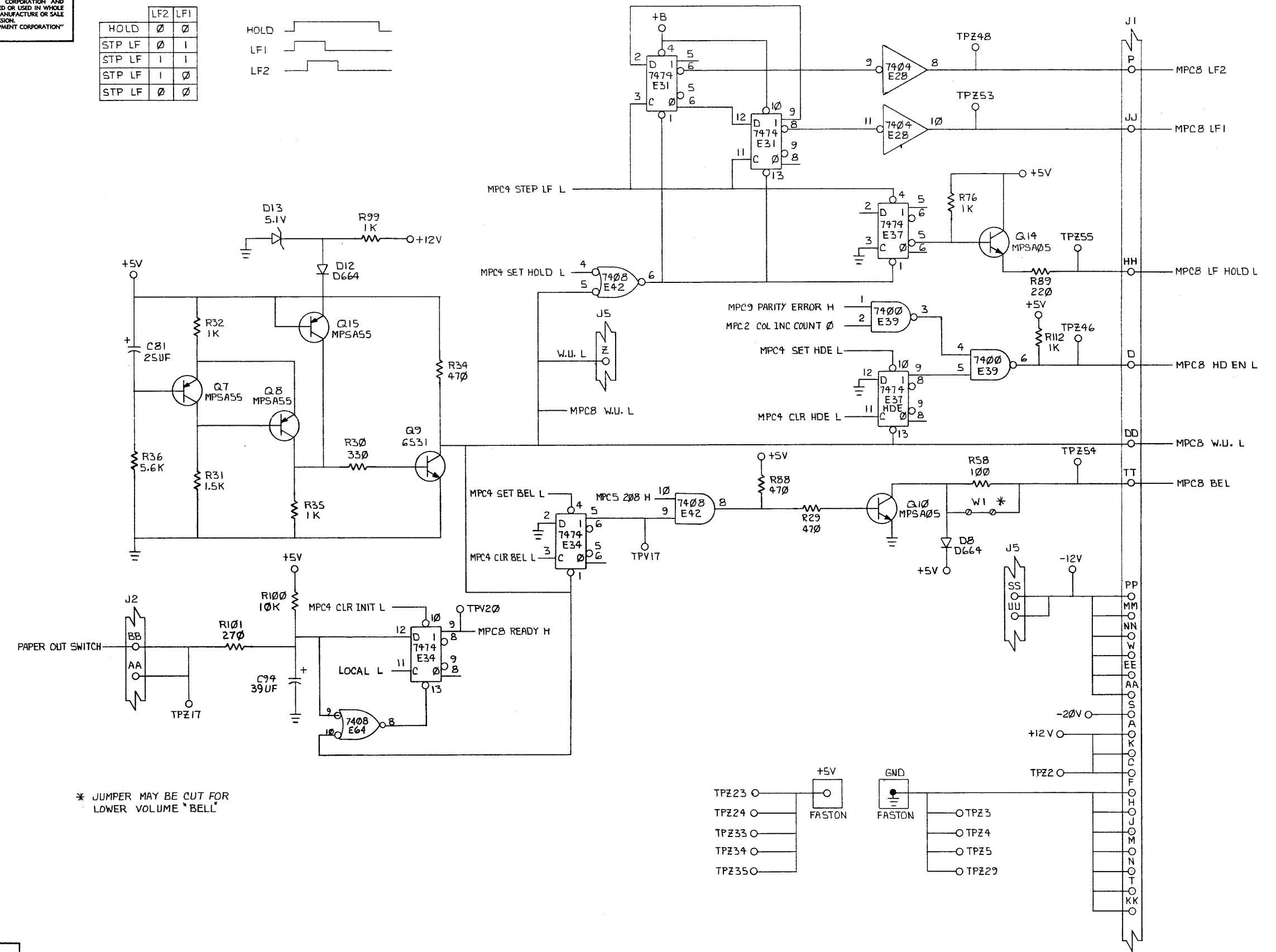
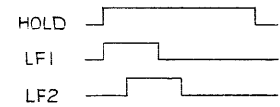
REG3	REG2	REG1	REG0	NOMINAL SPEED (IPS)
0	0	0	0	+6
0	0	0	1	+3
0	0	1	0	0
0	0	1	1	-3.8
0	1	0	0	-7.6
0	1	1	0	-11.4
0	1	1	1	-15.2
0	1	1	1	-19.0
1	0	0	0	-22.8
1	0	0	1	-26.6
1	0	1	0	-30.4
1	0	1	1	-34.2
1	1	0	0	-38.0
1	1	0	1	-41.8
1	1	1	0	-45.6
1	1	1	1	-49.4

REVISIONS

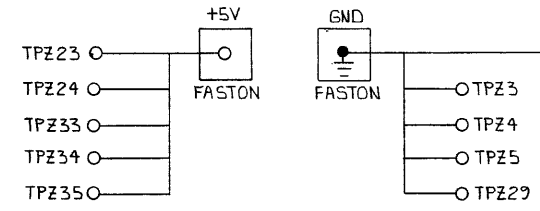
CHK	CHANGE NO.	REV.

"THIS DRAWING AND SPECIFICATIONS, HEREIN, ARE THE PROPERTY OF DIGITAL EQUIPMENT CORPORATION AND SHALL NOT BE REPRODUCED OR COPIED OR USED IN WHOLE OR IN PART AS THE BASIS FOR THE MANUFACTURE OR SALE OF ITEMS WITHOUT WRITTEN PERMISSION. COPYRIGHT © 1975 DIGITAL EQUIPMENT CORPORATION"

	LF2	LF1
HOLD	0	0
STP LF	0	1
STP LF	1	1
STP LF	1	0
STP LF	0	0

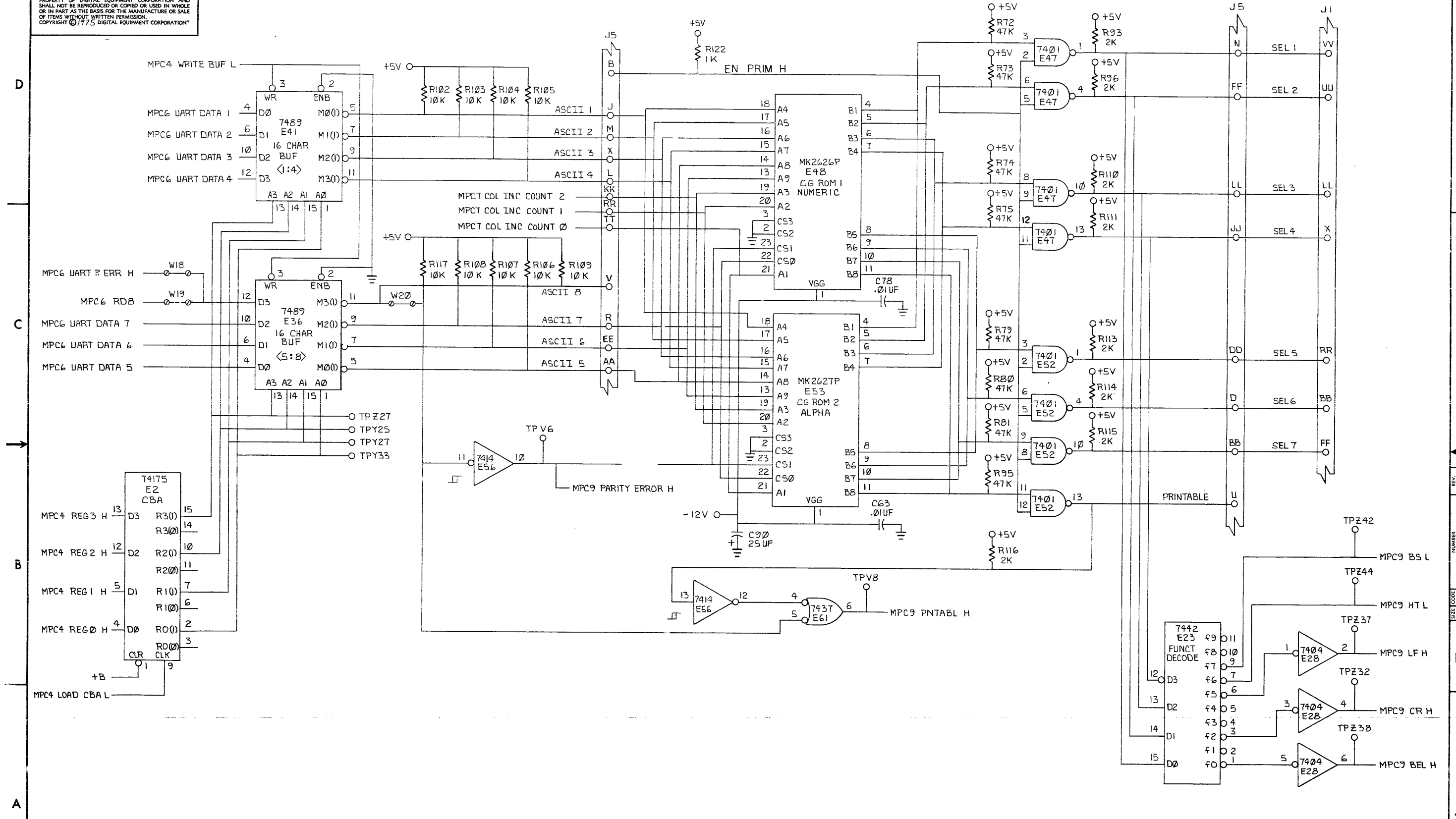


* JUMPER MAY BE CUT FOR LOWER VOLUME "BELL"



REVISIONS		
CHK	CHANGE NO.	REV.

"THIS DRAWING AND SPECIFICATIONS, HEREIN, ARE THE PROPERTY OF DIGITAL EQUIPMENT CORPORATION AND SHALL NOT BE REPRODUCED OR COPIED OR USED IN WHOLE OR IN PART AS THE BASIS FOR THE MANUFACTURE OR SALE OF ITEMS WITHOUT WRITTEN PERMISSION. COPYRIGHT © 1975 DIGITAL EQUIPMENT CORPORATION"



REVISIONS		
CHK	CHANGE NO.	REV.

REV. D CS M7728-0-1