





D REV	RLV12-0 NUMBER	DD CODE	B SIZE
----------	-------------------	------------	-----------

DRAWING NO.	NO OF SHTS	PART NO.	DESCRIPTION
MPO1282		RLV12-00	PART REVISION
B-TC-RLV12-0-1			RLV12 PRINT SET
E-UA-RLV12-0-0			FIELD MAINT PRINT SET
K-PL-RLV12-0-DBP			DISK CONTROLLER ASSY
A-SP-RLV12-0-8			DISK CONTROLLER ASSY PL
B-PL-RLV12-0-SH			RLV12 ENG SPECIFICATION
			RLV12 SHIPLIST

REVISIONS															
REV	DATE	BY	DESCRIPTION	1	2	3	4	5	6	7	8	9	10	11	12
CI															
-															
B															
C															
D															
A															
A															

**NOTES:**

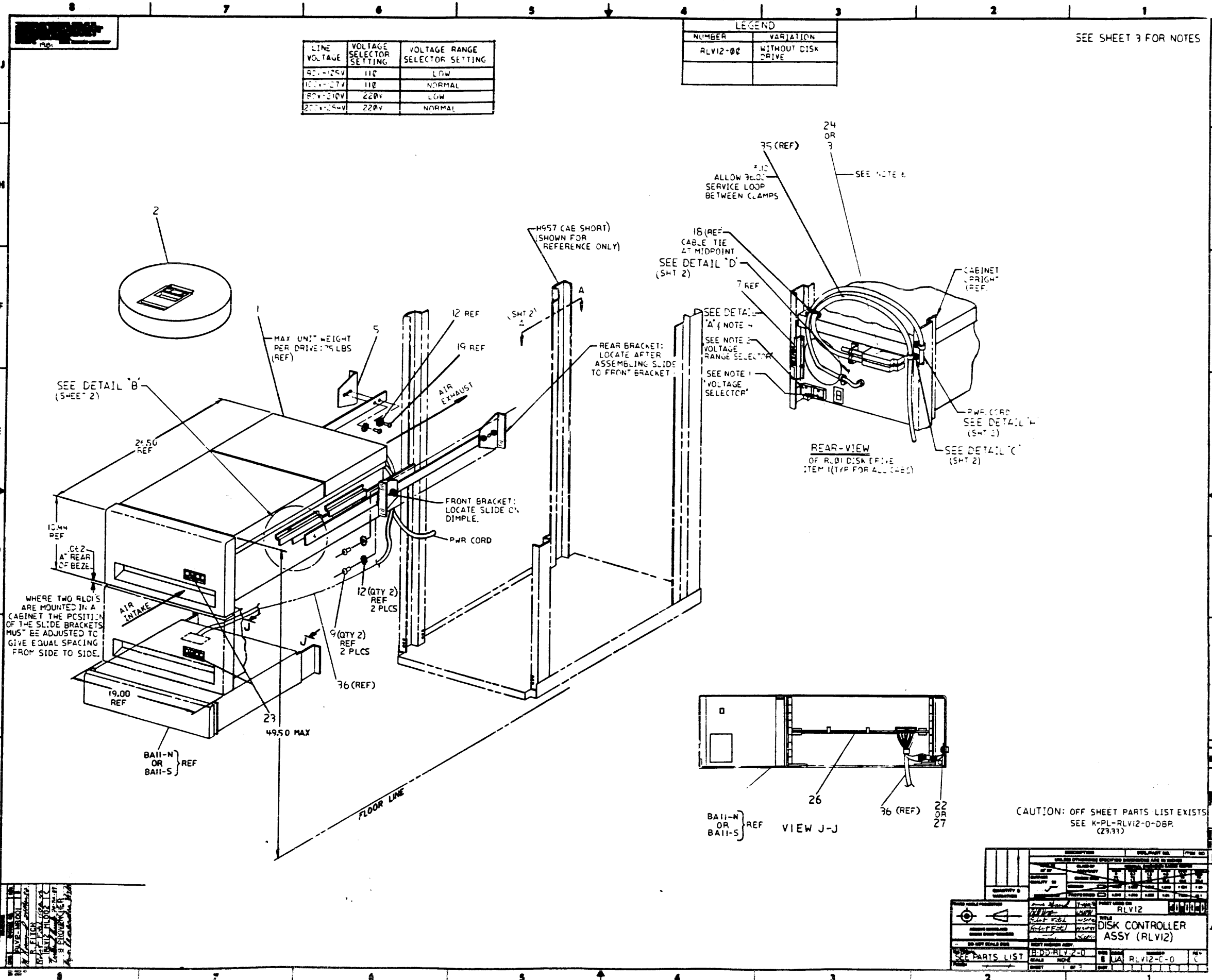
REVISION HISTORY		
DATE	ECO NO.	REV.
3-85	RLV12-TW003	D

THIS DRAWING AND THE SPECIFICATIONS CONTAINED HEREIN ARE CONFIDENTIAL AND PROPRIETARY. THEY ARE THE PROPERTY OF DIGITAL EQUIPMENT CORPORATION AND SHALL NOT BE REPRODUCED OR COPIED OR USED IN WHOLE OR IN PART AS THE BASIS FOR THE MANUFACTURE OR SALE OF ITEMS WITHOUT WRITTEN PERMISSION. THIS IS AN UNPUBLISHED WORK PROTECTED UNDER THE FEDERAL COPYRIGHT LAWS.



DRN.	A. HAYNES	DATE	7-MAR-85
CHK'D.	T. MCCULLOUGH	DATE	7-MAR-85
DES. ENG.	B. PROVENCHER	DATE	7-MAR-85
RESP. ENG.	B. PROVENCHER	DATE	7-MAR-85
MFG ENG.	M. MILAZZO	DATE	7-MAR-85

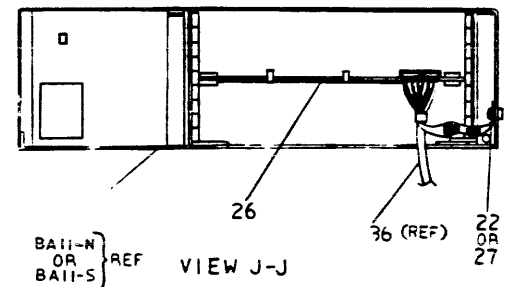
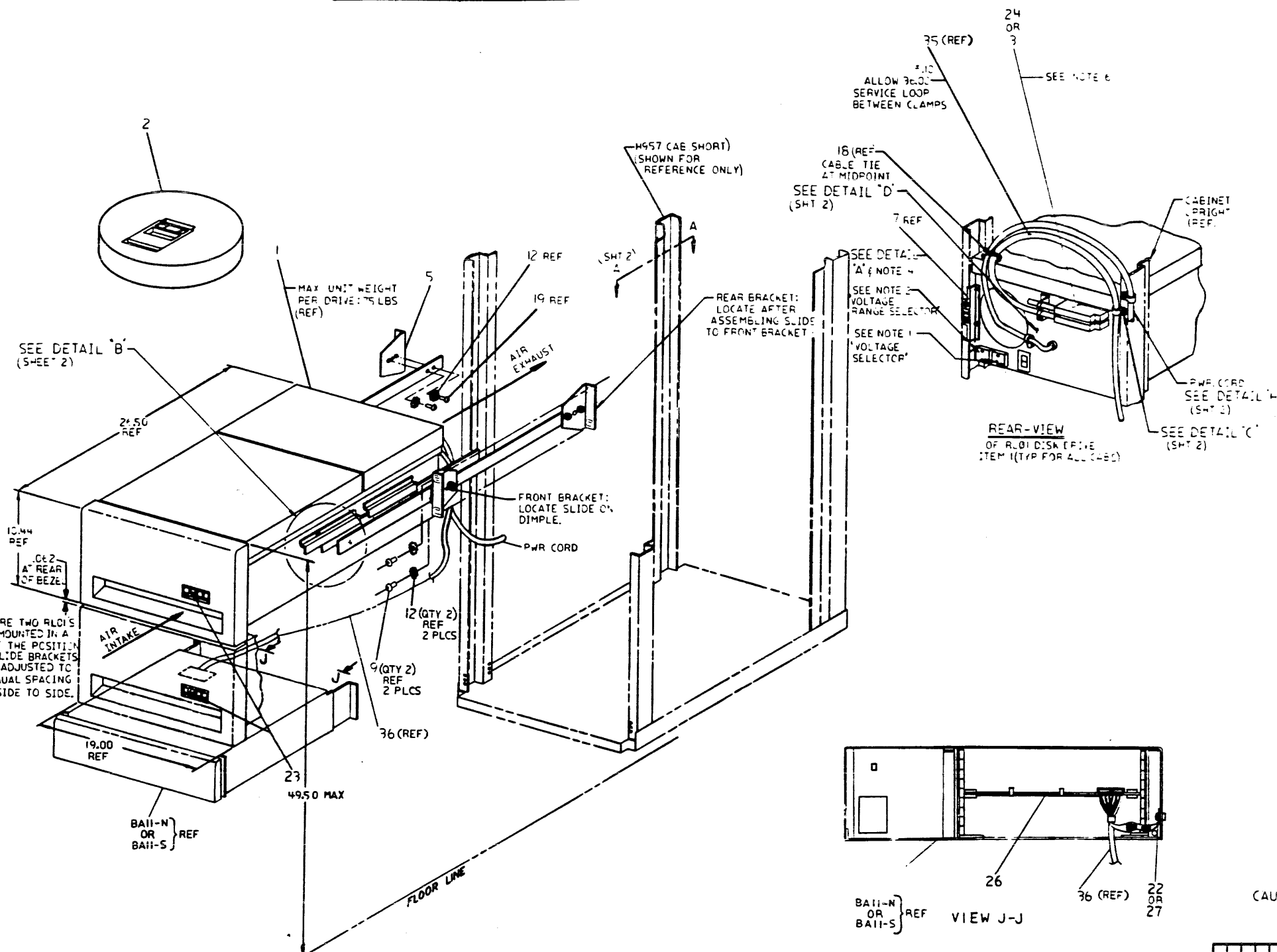
TITLE	DRAWING DIRECTORY (RLV12)		
DOCUMENT NUMBER			
SIZE	CODE	NUMBER	REV.
B	DD	RLV12-0	D
SHEET		OF	



LINE VOLTAGE	VOLTAGE SELECTOR SETTING	VOLTAGE RANGE SELECTOR SETTING
90V-125V	110	LOW
180V-270	110	NORMAL
180V-210V	220V	LOW
200V-254V	220V	NORMAL

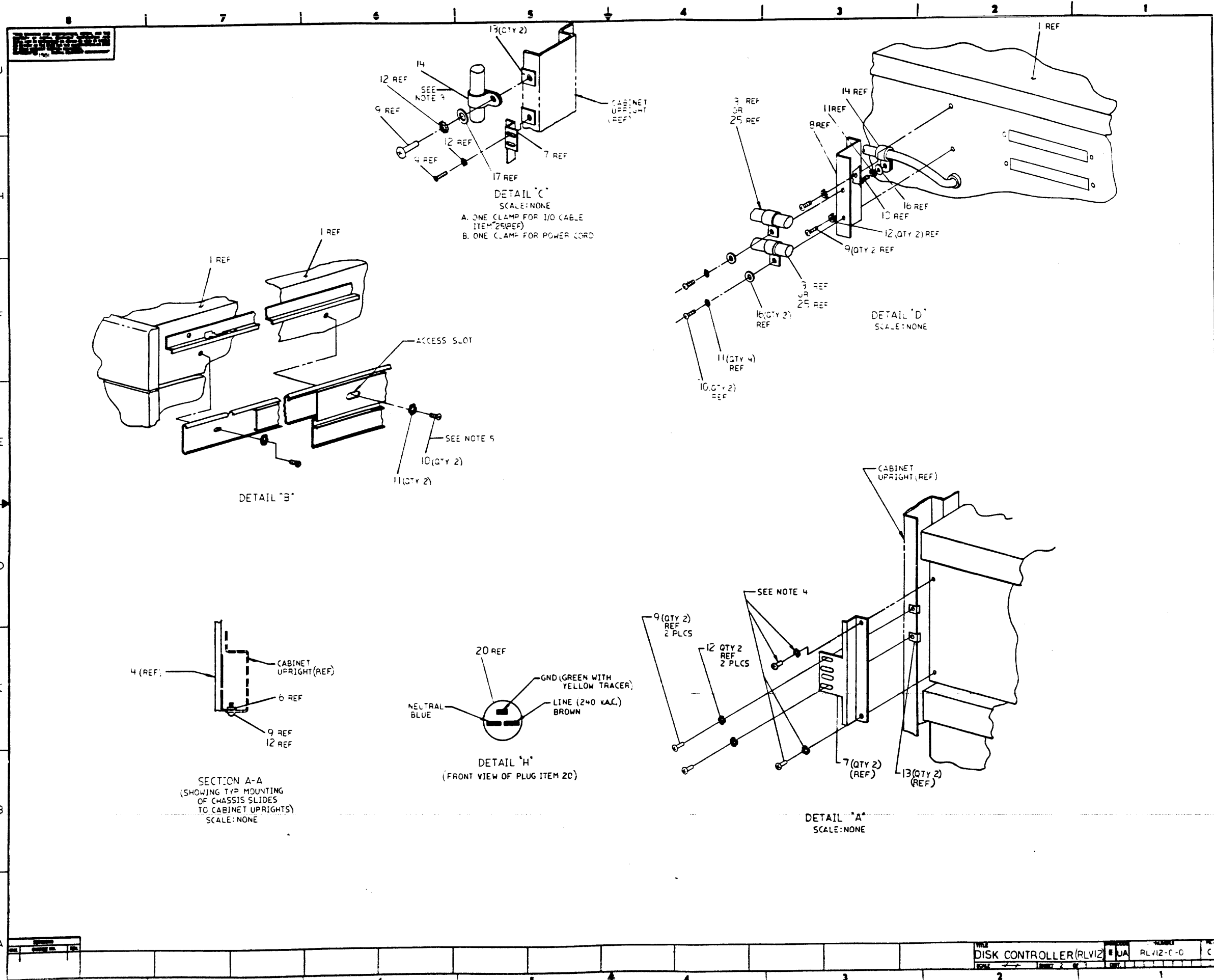
LEGEND	
NUMBER	VARIATION
RLV12-00	WITHOUT DISK DRIVE

SEE SHEET 3 FOR NOTES



CAUTION: OFF SHEET PARTS LIST EXISTS SEE K-PL-RLV12-0-DBP (23.33)

PARTS LIST		DISK CONTROLLER ASSY (RLV12)	
1	DISK DRIVE	1	DISK DRIVE
2	DISK DRIVE	2	DISK DRIVE
3	DISK DRIVE	3	DISK DRIVE
4	DISK DRIVE	4	DISK DRIVE
5	DISK DRIVE	5	DISK DRIVE
6	DISK DRIVE	6	DISK DRIVE
7	DISK DRIVE	7	DISK DRIVE
8	DISK DRIVE	8	DISK DRIVE
9	DISK DRIVE	9	DISK DRIVE
10	DISK DRIVE	10	DISK DRIVE
11	DISK DRIVE	11	DISK DRIVE
12	DISK DRIVE	12	DISK DRIVE
13	DISK DRIVE	13	DISK DRIVE
14	DISK DRIVE	14	DISK DRIVE
15	DISK DRIVE	15	DISK DRIVE
16	DISK DRIVE	16	DISK DRIVE
17	DISK DRIVE	17	DISK DRIVE
18	DISK DRIVE	18	DISK DRIVE
19	DISK DRIVE	19	DISK DRIVE
20	DISK DRIVE	20	DISK DRIVE
21	DISK DRIVE	21	DISK DRIVE
22	DISK DRIVE	22	DISK DRIVE
23	DISK DRIVE	23	DISK DRIVE
24	DISK DRIVE	24	DISK DRIVE
25	DISK DRIVE	25	DISK DRIVE
26	DISK DRIVE	26	DISK DRIVE
27	DISK DRIVE	27	DISK DRIVE
28	DISK DRIVE	28	DISK DRIVE
29	DISK DRIVE	29	DISK DRIVE
30	DISK DRIVE	30	DISK DRIVE
31	DISK DRIVE	31	DISK DRIVE
32	DISK DRIVE	32	DISK DRIVE
33	DISK DRIVE	33	DISK DRIVE
34	DISK DRIVE	34	DISK DRIVE
35	DISK DRIVE	35	DISK DRIVE
36	DISK DRIVE	36	DISK DRIVE
37	DISK DRIVE	37	DISK DRIVE
38	DISK DRIVE	38	DISK DRIVE
39	DISK DRIVE	39	DISK DRIVE
40	DISK DRIVE	40	DISK DRIVE
41	DISK DRIVE	41	DISK DRIVE
42	DISK DRIVE	42	DISK DRIVE
43	DISK DRIVE	43	DISK DRIVE
44	DISK DRIVE	44	DISK DRIVE
45	DISK DRIVE	45	DISK DRIVE
46	DISK DRIVE	46	DISK DRIVE
47	DISK DRIVE	47	DISK DRIVE
48	DISK DRIVE	48	DISK DRIVE
49	DISK DRIVE	49	DISK DRIVE
50	DISK DRIVE	50	DISK DRIVE
51	DISK DRIVE	51	DISK DRIVE
52	DISK DRIVE	52	DISK DRIVE
53	DISK DRIVE	53	DISK DRIVE
54	DISK DRIVE	54	DISK DRIVE
55	DISK DRIVE	55	DISK DRIVE
56	DISK DRIVE	56	DISK DRIVE
57	DISK DRIVE	57	DISK DRIVE
58	DISK DRIVE	58	DISK DRIVE
59	DISK DRIVE	59	DISK DRIVE
60	DISK DRIVE	60	DISK DRIVE
61	DISK DRIVE	61	DISK DRIVE
62	DISK DRIVE	62	DISK DRIVE
63	DISK DRIVE	63	DISK DRIVE
64	DISK DRIVE	64	DISK DRIVE
65	DISK DRIVE	65	DISK DRIVE
66	DISK DRIVE	66	DISK DRIVE
67	DISK DRIVE	67	DISK DRIVE
68	DISK DRIVE	68	DISK DRIVE
69	DISK DRIVE	69	DISK DRIVE
70	DISK DRIVE	70	DISK DRIVE
71	DISK DRIVE	71	DISK DRIVE
72	DISK DRIVE	72	DISK DRIVE
73	DISK DRIVE	73	DISK DRIVE
74	DISK DRIVE	74	DISK DRIVE
75	DISK DRIVE	75	DISK DRIVE
76	DISK DRIVE	76	DISK DRIVE
77	DISK DRIVE	77	DISK DRIVE
78	DISK DRIVE	78	DISK DRIVE
79	DISK DRIVE	79	DISK DRIVE
80	DISK DRIVE	80	DISK DRIVE
81	DISK DRIVE	81	DISK DRIVE
82	DISK DRIVE	82	DISK DRIVE
83	DISK DRIVE	83	DISK DRIVE
84	DISK DRIVE	84	DISK DRIVE
85	DISK DRIVE	85	DISK DRIVE
86	DISK DRIVE	86	DISK DRIVE
87	DISK DRIVE	87	DISK DRIVE
88	DISK DRIVE	88	DISK DRIVE
89	DISK DRIVE	89	DISK DRIVE
90	DISK DRIVE	90	DISK DRIVE
91	DISK DRIVE	91	DISK DRIVE
92	DISK DRIVE	92	DISK DRIVE
93	DISK DRIVE	93	DISK DRIVE
94	DISK DRIVE	94	DISK DRIVE
95	DISK DRIVE	95	DISK DRIVE
96	DISK DRIVE	96	DISK DRIVE
97	DISK DRIVE	97	DISK DRIVE
98	DISK DRIVE	98	DISK DRIVE
99	DISK DRIVE	99	DISK DRIVE
100	DISK DRIVE	100	DISK DRIVE



NOTES:

1. FOR SYSTEMS OPERATING AT 220 VAC REMOVE THE SCREWS FROM THE "VOLTAGE SELECTOR" COVER. WITHDRAW THE COVER AND RE-INSERT TURNED UPSIDE DOWN. AFTER INSERTION, "220V" MUST BE SHOWING THROUGH THE SMALL WINDOW. REPLACE THE TWO SCREWS, CUT OFF "110V" MALE PLUG AND REPLACE BY "220V" PLUG (ITEM 20). FOR COLOR CODE SEE DETAIL "H", SHEET 2. FOR 50HZ OPERATION ADD (ITEM 28) TO UNIT.
2. FOR SYSTEMS OPERATING WITH LOW LINE VOLTAGE, REMOVE TWO SCREWS FROM "VOLTAGE RANGE SELECTOR" COVER, WITHDRAW THE COVER AND RE-INSERT IT TURNED UPSIDE DOWN. AFTER THE INSERTION, "LOW" MUST BE SHOWING THROUGH THE SMALL WINDOW. REPLACE THE TWO SCREWS, SEE TABLE (FIRST SHEET, ZONE 6J).
3. CABLE CLAMP (ITEM 14) TO BE MOUNTED IN NEXT AVAILABLE HOLES (AS SHOWN IN DETAIL "C" SHIT 2) ABOVE SHIPPING BRACKET (ITEM 7) AFTER SHIPPING BRACKET IS MOUNTED PER NOTE 4.
4. TO ATTACH SHIPPING BRACKET (ITEM 7) REMOVE TWO SCREWS AND TWO LOCKWASHERS FROM ONE SIDE OF THE POWER PANEL ON THE REAR OF DISK DRIVE (ITEM 1). POSITION A SHIPPING BRACKET TO DETERMINE LOCATION OF "U" NUTS (ITEM 13) AND ATTACH BRACKET USING ORIGINAL SCREWS AND LOCKWASHERS AND ITEMS 12 & 9 (AS SHOWN IN DETAIL "A"). REPEAT PROCEDURE ON OTHER SIDE OF DRIVE.
5. TO MOUNT RL01 TO CABINET:  
A. MOUNT SLIDES AND BRACKETS TO UPRIGHTS.  
B. EXTEND SLIDES AS FAR AS POSSIBLE BY RELEASING CATCHES, SEE DETAIL "B" (SHT 2).  
C. PLACE DRIVE ON SLIDES AND PUSH BACK UNTIL ENDS OF RAILS FIT UNDER TABS ON SLIDES AND LATCHES ENGAGE.  
D. SECURE DRIVE TO SLIDES USING SCREWS SUPPLIED. SEE DETAIL "B" (SHT 2).  
TO REMOVE DRIVE, EXTEND SLIDES FULLY, REMOVE SCREWS RELEASE LATCHES AND LIFT OFF.
6. FOR LAST DRIVE IN A SYSTEM "CONTROLLER CABLE" (ITEM 35) PLUGS INTO EITHER SOCKET. TERMINATOR ASSY (ITEM 24) PLUGS INTO THE OTHER.
7. ITEM 22 THRU 27 ARE NOT ASSEMBLED UNTIL INSTALLATION IN A CABINET.

REVISIONS	
NO.	DESCRIPTION

<b>digital</b>	DATE ENG. 10/1/78	DATE 10/1/78	TITLE: DISK CONTROLLER ASSY (RLV12)
DESIGNER: J. J. JONES	DATE CHECKED: 10/1/78	DATE APPROVED: 10/1/78	SIZE CODE: 1
FIRST USED ON OPTION MODEL: RLV12	18-00-RLV12-0	REV. 0	REV. 0

LINE	ITEM	TOP DOCUMENT	PART NUMBER	MIN REV	DESCRIPTION	QTY PER VARIATION
					VARIATION REVISION LEVEL:	00 C1
1	1	E-UA-RL01-AK-0	RL01 -AK		RL01-A + RL01K-DC,115/230V	REF
2	2	E-UA-RL01K-DC-0	RL01K-DC		RL01 DATA PACK	REF
3	3		BC21Z-XX		*** THIS ITEM IS NOT USED ***	-
4	4	SEE NOTE 1	1213686-00		CHASSIS SLIDE SET INCLUDED 1 L.H	REF
5	5	A-MD-7419261-0-0	7419261-00		BRACKET CHASSIS SLIDE	REF
6	6	C-MD-7419262-0-0	7419262-00		BAR NUT	REF
7	7	C-MD-7419856-0-0	7419856-00		BRKT, RL01 SHIPPING	REF
8	8	C-IA-7419857-0-0	7419857-00		BRKT, CABLE SUPPORT	REF
9	9		9006073-01		SCREW,MACH PAN PHIL 10-	REF
10	10		9006021-01		SCREW,MACH PAN PHIL 6-	REF
11	11		9007649-00		WASHER,LOCK EXTERNAL STEEL	REF
12	12		9007651-00		WASHER,LOCK EXTERNAL STEEL	REF
13	13		9007786-00		RETAINER,U-NUT 10-32X	REF
14	14		9007085-00		CLAMP,CABLE,SCREW MTD. 1/2 "	1
15	15	A-SP-3700627-0-0	3700627-01		PKG OPTION RLV12	1
16	16		9006653-00		WASHER,FLAT STEEL	REF
17	17		9006668-00		WASHER,FLAT SST	REF
18	18		9007031-00		TIE,CABLE BUNDL.DIA 0- 3/4"=101	REF
19	19		9006039-04		SCREW,MACH BIND SLOT 8-	REF
20	20		9008853-00		CONN,POWER 02P03W PLUG NEMA 06-1	REF
21	21	A-PL-H9504-2-0	H9504-00		REAR DOOR, HIBOY FULLY SLOTTED S	REF
22	22		9006563-00		NUT,HEX EXT TOOTH LCKWSHR 8-32	1
23	23	A-PL-7012938-0-0	7012938-00		*** THIS ITEM IS NOT USED ***	-
24	24	D-IA-7012293-0-0	7012293-00		TERMINATOR ASSEMBLY	1
25	25	D-UA-BC80M-0-0	BC80M-06		*** THIS ITEM IS NOT USED ***	-
26	26	D-UA-M8061-0-0	M8061-00		RL01/RL02 DISK CONTROL,22-BIT AD	1
27	27		9010174-01		SCREW,SEMS PAN PHIL 8-	1
28	28	SEE NOTE 2	3617674-00		LABEL,SERIAL/POWER W/O UL + CSA	REF
29	29		EKRLV12-UG		RLV12 DISK CONTROLLER USERS GUID	1
30	30		RL02 -FK		*** THIS ITEM IS NOT USED ***	-

REVISION HISTORY			BASIC PART NO: RLV12		DRN: JIM SICARD		DATE: 24-FEB-81		D I G I T A L		
ENG	ECO NUMBER	REV	SECTION A OF A	CHK'D:	BILL HOVEY	DATE:	3-SEP-81	TITLE PARTS LIST			
---	INITIAL	A	SECTION VARIATION INDEX	CHK'D:	BILL HOVEY	DATE:	3-SEP-81	DISK CONTROLLER ASSY (RLV12)			
RF	RLV12-MR001	B	(A)00	DES.ENG:	ROBERT FITCH	DATE:	14-SEP-81	DOCUMENT NUMBER			
BP	RLV12-ML002	C	(B)	RESP.ENG.:	ROBERT FITCH	DATE:	14-SEP-81	SIZE	CODE	NUMBER	REV
BP	RLV12-TW003	D	(C)	MFG.ENG.:	J. LONGO	DATE:	14-SEP-81	K	PL	RLV12-0-DBP	D
			(D)	ASSEMBLY NUMBER:		TOP DOCUMENT NUMBER:		RELEASE DATE: 24-APR-85		FILE NAME:	EDIT #
			(E)	E-UA-RLV12-0-0		#B-DD-RLV12-0				Z3133D.PLS	25
			(F)								

"THIS DRAWING AND THE SPECIFICATIONS CONTAINED HEREIN ARE CONFIDENTIAL AND PROPRIETARY. THEY ARE THE PROPERTY OF DIGITAL EQUIPMENT CORPORATION AND SHALL NOT BE REPRODUCED OR COPIED OR USED IN WHOLE OR IN PART AS THE BASIS FOR THE MANUFACTURE OR SALE OF ITEMS WITHOUT WRITTEN PERMISSION. THIS IS AN UNPUBLISHED WORK PROTECTED UNDER THE FEDERAL COPYRIGHT LAWS."

AUTOMATED BY PRTLST.3P(44)

P A R T S L I S T

SHEET A2 OF A2

LINE	ITEM	TOP DOCUMENT	PART NUMBER	MIN REV	DESCRIPTION	QTY PER VARIATION
					VARIATION REVISION LEVEL:	C1
31	31		1212691-01		LENS,ENCODER SW"1/READY"	1
32	32		1212691-02		LENS,ENCODER SW"2/READY"	1
33	33		1212691-03		LENS,ENCODER SW"3/READY"	1
34	34		EKRLV12-CG		RLV12 DISK CONTROLLER CONF. SHEE	1
35	35		BC17F-06		6FT CABLE, DBLE SHLDED 13 TWP, MET	REF
36	36		CKRLV1A-00		CABKIT REF TO K-AR-CKCKREF-0-0	REF

- 37 NOTE: 1 ITEMS #2 THRU #14 & #16 THRU #21 AND #28 ARE SUPPLIED WITH DRIVE
- 38 NOTE: - AND LISTED ON E-UA-RL02-AK-0.
- 39 NOTE: 2 REFER TO NOTE #1 ON SHEET 3 OF UA FOR INSTRUCTIONS.

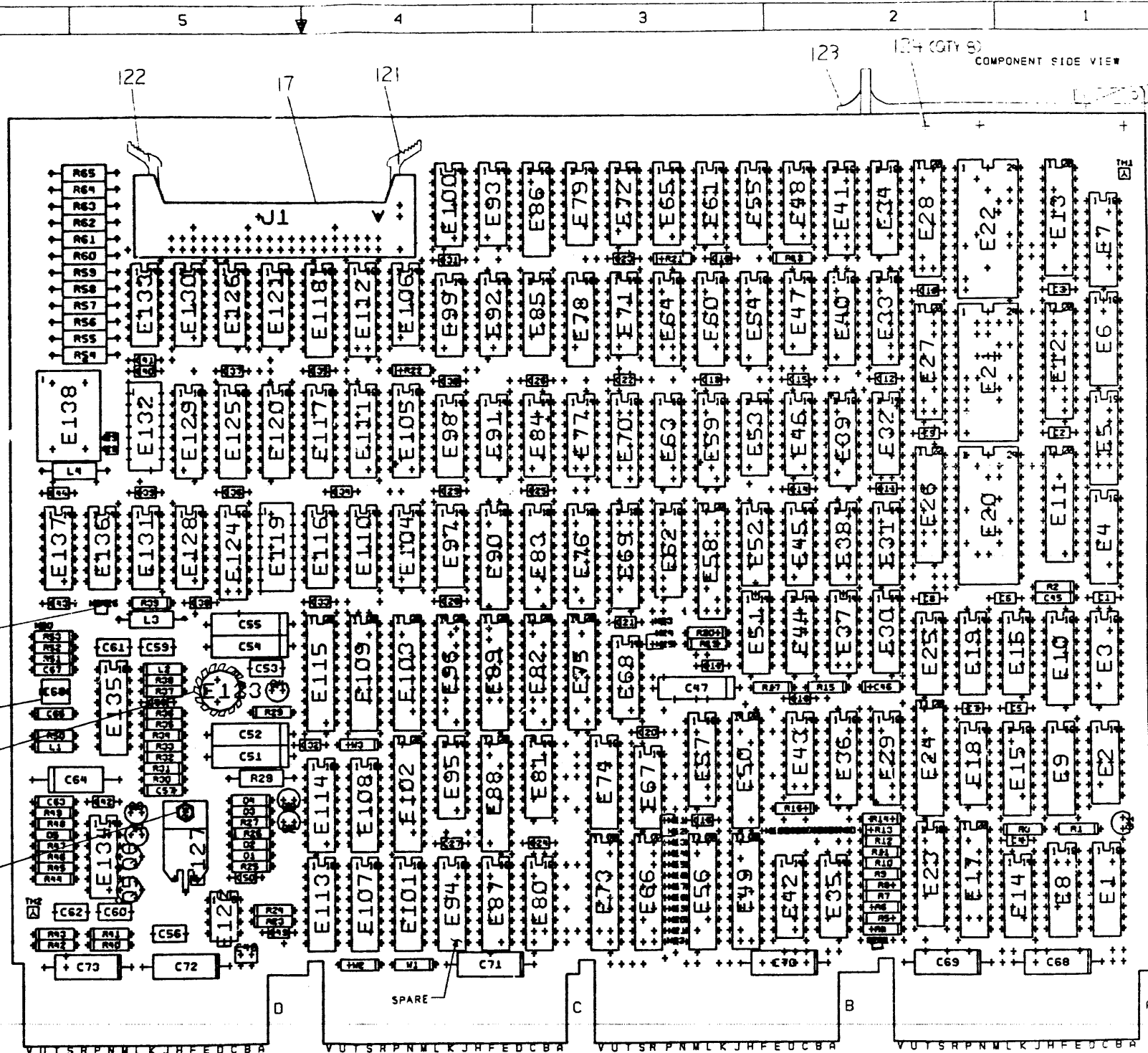
D	I	G	I	T	A	L	TITLE	DISK CONTROLLER ASSY (RLV12)	SECTION A OF A	SIZE	CODE	DOCUMENT NUMBER	REV
										K	PL	RLV12-0-DBP	D



THIS DRAWING AND SPECIFICATIONS HEREBY ARE THE PROPERTY OF AEGION, INC. ANY REPRODUCTION OR TRANSMISSION OF THIS DRAWING OR SPECIFICATIONS WITHOUT THE WRITTEN PERMISSION OF AEGION, INC. IS PROHIBITED.

JUMPER SWIP			
CONFIGURATION	ADDRESS	LEVEL	LEVEL
22 BIT I/O PAGE	V1	V2	L1
22 BIT ADDRESS BASE REGISTER ENABLE	V11	V2	L1
VECTOR ADDRESS	V3	V6	L1
	V7	V8	L2
	V6	V7	L2
DEVICE ADDRESS (774420)	V17	V20	L1
	V21	V22	L1
	V23	V21	L2
PARITY ERROR REPORT ENABLE	V24	V25	L1
PARITY ERROR REPORT DISABLE	V23	V24	L2
I/O LOCK	V26	V27	L1
CRYSTAL CLOCK	V28	V29	L1

NOT INSTALLED  
L1-LEVEL ONE  
L2-LEVEL TWO  
SEE NOTE 1



- NOTES: 1. WIPE WRAP JUMPERS ARE INSTALLED AFTER THE MODULE HAS SUCCESSFULLY PASSED MODULE TEST.  
2. C66 IS NOT COMPATIBLE WITH WAVE SOLDER OR AQUEOUS WASH.  
3. E94 IS A SPARE

CHK	CHANGE NO	REV	DATE	BY	REASON

4. C66 IS TO BE SEALED AFTER CALIBRATION, USE RED 6LPT OR SIMILAR SEALER.

ETCH REV.	C-P4
-----------	------

SIGNATURES		DATE	TITLE
DRN. <i>[Signature]</i>		20 MAR 80	digital
CHK. D. <i>[Signature]</i>		19 MAR 80	
MECH. ENG. <i>[Signature]</i>		20 MAR 80	
PROJ. ENG. <i>[Signature]</i>		20 MAR 80	
PROD. <i>[Signature]</i>		20 MAR 80	
SCALE 2/1			
SMT. 1 OF 1			
NEXT HIGHER ASSY. B-DD M8201-0			

STEP	Y AXIS	STEP	TIMES
REPEAT	X AXIS	STEP	TIMES

MK-1 1 WO# 302403

PARTS LIST

LINE	ITEM	TOP DOCUMENT	PART NUMBER	MIN REV	DESCRIPTION	QTY	PER VARIATION	REFERENCE DESIGNATOR
					VARIATION REVISION LEVEL:	00		
1	1	D-MD-5014398-0-0	5014398-00		DRILL AND ETCH 8D.	1		
2	2		1012784-00		.047 MFD 50V +80-20%	47		C1-C44,C49,C50,C58
3	3		1013466-09		1000.0 MMF 50V 10%	1		C45
4	4		1013466-07		220.0 MMF 50V 5%	2		C46,C67
5	5		1005306-00		6.8MFD 35V 10%	5		C47,C51,C52,C54,C55
6	6		1011740-00		5600.0 MMF 50V 10%	1		C48
7	7		1010279-01		.47 MFD 25V 20%	6		C53,C56,C59-C62
8	8		1013466-08		680.0 MMF 50V 10%	2		C57,C63
9	9		1010646-00		.015 MFD 50V 2%	1		C64
10	10		1013466-02		18.0 MMF 50V 5%	1		C65
11	11		1010628-00		7.0 MMF TO 30.0 MMF TRIMMER	1		C66
12	12		1017472-00		10 MFD 35V +75-10%	5		C68,C70-C73
13	13		1018737-00		.0047 MFD 100V 1%	1		C69
14	14		1109991-00		VZ= 6.8 5% 400 MA 1N754A	2		D1,D2
15	15		1105275-00		PIV= 60 IO=300 MA -15NS	2		D3,D4
16	16		1111577-00		PIV= 50 IO=200 MA - 4NS 1N4454	1		D5
17	17		1209941-02		PCB,HEADER 40PIN(2X20).100CC 90D	1		J1
18	18		1301475-00		1.10 K .25 W 5.0 %	1		R1
19	19		1304839-00		51.0 K .25 W 5.0 %	1		R2
20	20		1300365-00		1.0 K .25 W 5.0 %	8		R3,R14,R16,R19,R21,R22,R29,R39
21	21		1300295-00		330.0 .25 W 5.0 %	4		R4,R6,R9,R11
22	22		1301424-00		680.0 .25 W 5.0 %	4		R5,R7,R8,R10
23	23		1305114-00		3.48 K .25 W 1.0 %	1		R12
24	24		1302873-00		261.0 .25 W 1.0 %	1		R13
25	25		1304856-00		4.64 K .25 W 1.0 %	1		R15
26	26		1302397-00		180.0 K .25 W 5.0 %	1		R17
27	27		1300229-00		100.0 .25 W 5.0 %	5		R18,R20,R35,R36,R43
28	28		1312930-00		5.10 K .25 W 5.0 %	1		R23
29	29		1300417-00		2.20 K .25 W 5.0 %	1		R24
30	30		1300247-00		120.0 .25 W 5.0 %	1		R25

REVISION HISTORY		BASIC PART NO:	M8061	DRN:	R.W.CAUNTER	DATE:	29-OCT-80	DIGITAL			
ENG:	ECO NUMBER	REV	SECTION A OF A	CHK'D:	R.W.CAUNTER	DATE:	29-JAN-81	TITLE PARTS LIST			
---	INITIAL	A	SECTION VARIATION INDEX	DES.ENG:	M.MLYNARCZYK	DATE:	29-JAN-81	DOCUMENT NUMBER			
MM	M8061-MR001	B	[A] 00	RESP.ENG.:	R.FITCH	DATE:	29-JAN-81	SIZE	CODE	NUMBER	REV
RF	M8061-MR002	C	[B]					K	PL	M8061-0-DBP	E
MM	M8061-MR003	D	[C]	MFG.ENG.:	J.LONGO	DATE:	18-FEB-81	RELEASE DATE: 05-NOV-85			
GP	M8061-MK008	E	[D]	ASSEMBLY NUMBER:		TOP DOCUMENT NUMBER:		FILE NAME:		EDIT #	
			[E]					MK1233,PLS		38	
			[F]								
			[H]								
			[J]								
			[K]								
			[L]								
			[M]								
			[N]								

"THIS DRAWING AND THE SPECIFICATIONS CONTAINED HEREIN ARE CONFIDENTIAL AND PROPRIETARY. THEY ARE THE PROPERTY OF DIGITAL EQUIPMENT CORPORATION AND SHALL NOT BE REPRODUCED OR COPIED OR USED IN WHOLE OR IN PART AS THE BASIS FOR THE MANUFACTURE OR SALE OF ITEMS WITHOUT WRITTEN PERMISSION. THIS IS AN UNPUBLISHED WORK PROTECTED UNDER THE FEDERAL COPYRIGHT LAWS."

LINE	ITEM	TOP DOCUMENT	PART NUMBER	MIN REV	DESCRIPTION	QTY PER VARIATION	REFERENCE DESIGNATOR
					VARIATION REVISION LEVEL:	00	
31	31		1300271-00		220.0 .25 W 5.0 % CF	2	R26,R27
32	32		1309444-00		2.70 .50 W10.0 % CF	1	R28
33	33		1300316-00		470.0 .25 W 5.0 % CF	2	R30,R33
34	34		1300398-00		1.80 K .25 W 5.0 % CF	1	R31
35	35		1303126-00		619.0 .25 W 1.0 % RN55D-F10	2	R32,R47
36	36		1301320-00		1.20 K .25 W 5.0 % CF	1	R34
37	37		1309413-00		3.83 K .25 W 1.0 % RN55D-F10	1	R37
38	38		1302612-00		1.78 K .25 W 1.0 % RN55D-F10	1	R38
39	39		1303067-00		422.0 .25 W 1.0 % RN55D-F10	2	R40,R41
40	40		1311653-00		2.15 K .25 W 1.0 % RN55D-F10	1	R42
41	41		1305102-00		51.10 .25 W 1.0 % RN55D-F10	2	R44,R46
42	42		1302954-00		196.0 .25 W 1.0 % RN55D-F10	1	R45
43	43		1302871-00		1.21 K .25 W 1.0 % RN55D-F10	2	R48,R49
44	44		1302874-00		147.0 .25 W 1.0 % RN55D-F10	1	R50
45	45		1302941-00		14.70 K .25 W 1.0 % RN55D-F10	1	R51
46	46		1300479-00		10.0 K .25 W 5.0 % CF	1	R52
47	47		1300447-00		4.70 K .25 W 5.0 % CF	1	R53
48	48		1301781-00		82.0 .50 W 5.0 % CF	12	R54-R65
49	49		1300005-05		R NETWORK 13-82 5.0 % 14PIN	1	E121
50	50		1510705-00		XA 05 NPN 500MW SI 60 50 P	2	Q1,Q3
51	51		1510706-00		XA 55 PNP 500MW SI 60 50 P	2	Q2,Q4
52	52		1503029-00		2N 3640 PNP 200MW SI	2	Q5,Q6
53	53		1513489-00		2N 4401 NPN 350MW SI 40 20	1	Q7
54	54		1513490-00		2N 4403 PNP 350MW SI-40 30	1	Q8
55	55		1603358-00		12.0 UH 10% 300MA #DD12.0	2	L1,L2
56	56		1616653-01		DELAY= 100NS,10TAPS WITH TTLBU	1	E119
57	57		1616653-00		DELAY= 50NS,10TAPS WITH TTLBU	1	E132
58	58		1811660-12		OSCILLATOR, XTAL 8.200 MHZ	1	E138
59	59		1911579-00		/REPLACED BY 19-14987-00	2	E1,E8
60	60		1912815-00		LS30 NAND GATE-SINGLE 8IN	1	E2
61	61		1912837-00		LS123 ONE SHOT-DUAL,RETRIG	1	E3
62	62		1912834-00		LS112 FF-JK,DUAL,EDGE TRIG	2	E4,E5
63	63		1912854-00		LS193 COUNTER,SYNCHR,4BIT,	2	E6,E34
64	64		1911675-00		74S138 DECODER/DEMUX 3-8 LI	1	E9
65	65		1912860-00		LS259 LATCH 8BIT	3	E10,E33,E39
66	66	SEE NOTE #1	1916680-00		2911 SEQUENCER,MICROPROGR	3	E11-E13
67	67		1909705-00	DEC	8881 NAND GATE-QUAD 2IN 0	2	E14,E42
68	68		1912853-00		LS175 FF-D QUAD	1	E15
69	69		1912832-00		LS107 FF-JK DUAL MASTER/SL	3	E16,E65,E93
70	70		1914038-00	DC	010 BIPOLAR, MEM ADRESS,L	1	E17
71	71		1912803-00		LS04 INVERTER GATE,HEX	3	E18,E51,E71
72	72		1912824-00		LS74 FF-D DUAL,EDGE TRIGG	6	E19,E31,E48,E68,E79,E106
73	73		1912730-00	DC	003 INTERRUPT,2 CIRCUIT	1	E23
74	74		1912729-00	DC	004 PROTOCOL,REG. SELECT	1	E24
75	75		1912820-00		LS51 A-Q-I GATE 2-WIDE 2I	3	E25,E72,E84
76	76		1912863-00		LS273 FF-D OCTAL W/CLEAR	3	E26-E28
77	77		1912842-00		LS138 DECODER-THREE INPUT,	2	E29,E40
78	78		1912801-00		LS02 NOR-GATE-QUAD 2IN	3	E30,E32,E95

D I G I T A L	TITLE	SECTION A OF A	SIZE	CODE	DOCUMENT NUMBER	REV
	M8061 RLV12		K	PL	M8061-0-DBP	E

PARTS LIST

LINE	ITEM	TOP DOCUMENT	PART NUMBER	MIN REV	DESCRIPTION	QTY PER VARIATION	REFERENCE DESIGNATOR
					VARIATION REVISION LEVEL:	00	
79	79		1914888-00		74S09N AND-GATE-QUAD 2INPUT	1	E35
80	80		1912849-00		LS161 COUNTER,SYNCHR,4BIT	2	E36,E125
81	81		1912816-00		74LS32 OR GATE-QUAD 2IN,POS	1	E37
82	82		1912805-00		LS08 AND GATE-QUAD 2IN,PO	2	E38,E67
83	83		1910548-00		74S157 MUX 1 OF 2 (QUAD)	1	E41
84	84		1915932-00		LS125 BUFFER,QUAD BUS	1	E43
85	85		1913340-00		74S32 OR GATE-QUAD 2IN	1	E44
86	86		1912388-00		74S02 NOR GATE-QUAD 2IN,PO	3	E45,E92,E137
87	87		1912813-00		LS27 NOR GATE-TRIPLE 3IN	2	E46,E91
88	88		1910532-00		74S00 NAND GATE-QUAD 2IN	2	E47,E97
89	89		1913040-00	DC	005 TRANSCEIVER 4BIT	4	E49,E56,E66,E73
90	90		1915193-00		LS244 DRIVER,LINE,OCTAL,TR	2	E50,E89
91	91		1912807-00		LS10 NAND GATE-TRIPLE 3IN	1	E52
92	92		1910534-00		74S04 INVERTER GATE-HEX 1I	4	E53,E61,E81,E77
93	93		1912697-00		LS174 FF-D HEX W/CLEAR	7	E54,E57,E59,E60,E63,E78,E117
94	94		1910544-00		74S74 FF-D DUAL,EDGE TRIGG	6	E55,E85,E104,E128,E131,E136
95	95		1914035-00	DC	006 BIPOLAR,BUS ADDRESS	3	E58,E88,E102
96	96		1912844-00		LS151 MUX 1 OF 8 & DATA	3	E64,E70,E129
97	97		2114212-00	P	2114-2 RAM,1024X4,STATIC	4	E69,E76,E83,E90
98	98		1912847-00		LS157 MUX 1 OF 2(QUAD)	1	E74
99	99		1912868-00		LS299 SHIFT REG. 8-BIT UNI	2	E75,E82
100	100		1912951-00	DM	8556 COUNTER,BINARY,4BIT	5	E80,E87,E101,E108,E114
101	101		1910547-00		74S153 MUX 1 OF 4 (DUAL)	1	E86
102	102		1914214-00		LS374 FF-D OCTAL EDGE TRIG	4	E96,E103,E109,E115
103	103		1913474-00		9401 GENERATOR/CHECKER CR	1	E98
104	104		1912096-00	DEC	74S86 XOR GATE,QUAD 2IN	1	E99
105	105		1911712-00		74S51 AND-OR GATE-INVERT D	1	E100
106	106		1910956-00		74S151 MUX 1 OF 8	1	E105
107	107		1913839-00		LS165 SHIFT REG.,8BIT	2	E107,E113
108	108		1912389-00		74S08 AND GATE-QUAD 2IN,PO	1	E110
109	109		1911341-00		75113 DRIVER,LINE,DUAL,MA	3	E111,E112,E118
110	110		1910542-00		74S64 A-O-I GATE 4-2-3-2	1	E116
111	111		23219A1-00	A1-07		1	E120
112	112		1911944-00		555CN TIMER,FUNCT,BLOCK	1	E122
113	113		1912541-00		79M05 VOLT REG,FIX -5V	1	E123
114	114		1910545-00		74S112 FF-JK DUAL,EDGE TRIG	1	E124
115	115		1910268-00	DEC	75107B RECEIVER,LINE,DUAL,	3	E126,E130,E133
116	116		1912536-01		7805 VOLT REG,FIX +5V	1	E127
117	117		1913017-00		3046 XSISTOR ARRAY,3 ISOL	1	E134
118	118		1911911-00	DEC	74S124 OSCILLATOR,DUAL VOLT	1	E135
119	119		9009149-01		PIN,STAKNG 0.0250DX0.345LG SQUAR	30	M1-M30
120	120		9009185-00		JUMPER, WIRE, INSULATED, BLACK B	3	W1-W3
121	121		1209941-03		PCB,HEADER LATCH	1	
122	122		1209941-04		PCB,HEADER LATCH	1	
123	123		1213113-01		HANDLE,MODULE,	1	
124	124		9000024-01		EYELET,ROLLED 0.1210DX0.192	8	
125	125		9007201-00		PAD,MOUNTING,COMPONENT	1	
126	126		1210001-00		HEAT SINKS,TO-5 .500DX0.25	1	

D	I	G	I	T	A	L	TITLE	M8061	SECTION A	OF A	SIZE	CODE	DOCUMENT NUMBER	REV
							PLV12				K	PL	M8061-0-DBP	E

AUTOMATED BY PRTLST.3P(44)


P A R T S L I S T



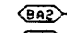
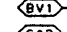
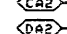
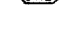
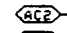


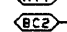
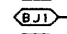
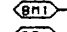
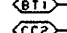





SHEET A4 OF A4

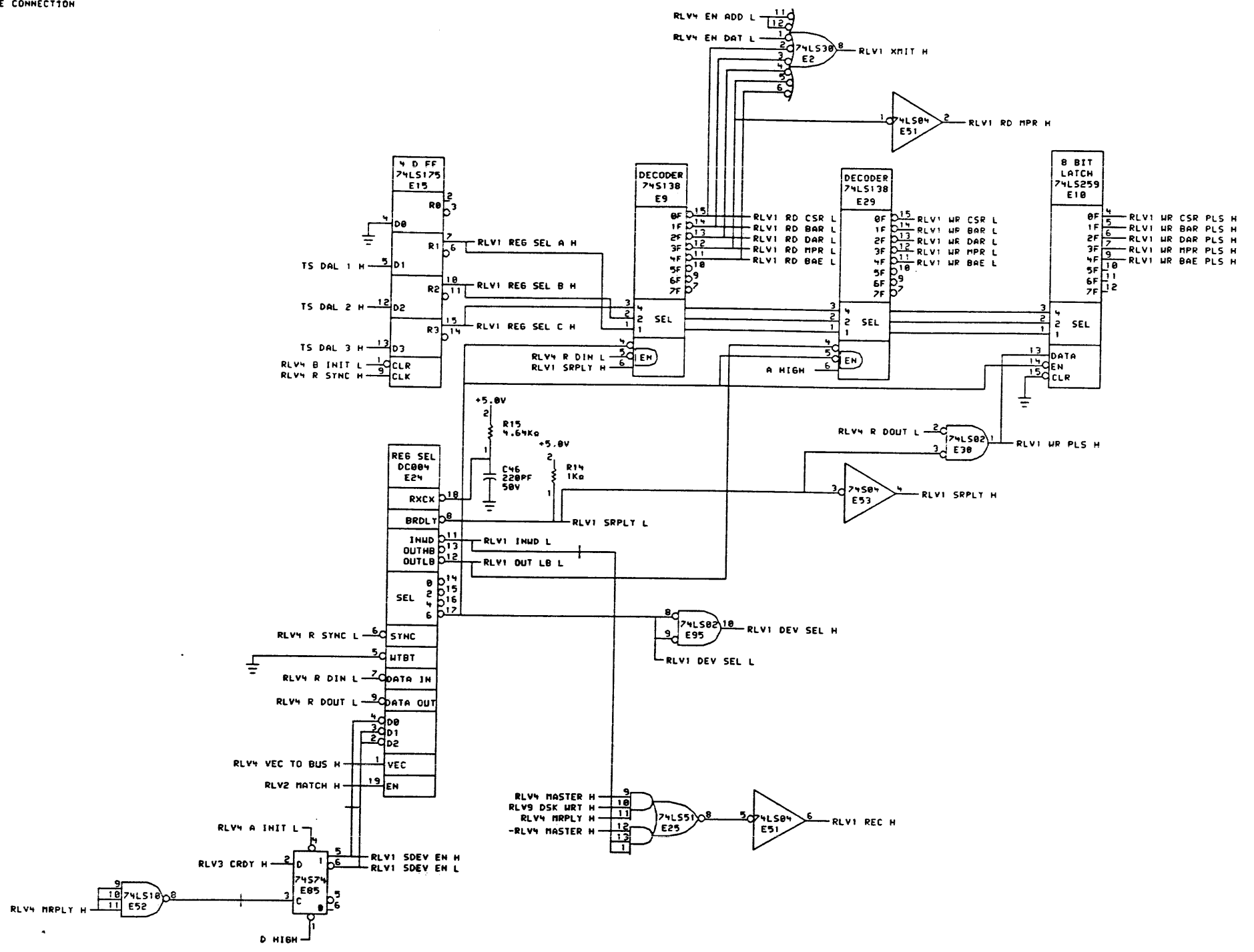
LINE	ITEM	TOP DOCUMENT	PART NUMBER	MIN REV	DESCRIPTION	VARIATION REVISION LEVEL	QTY PER VARIATION 00	REFERENCE DESIGNATOR
127	127		9006010-01		SCREW,MACH PAN PHIL	4-	1	
128	128		9009990-00		NUT,HEX EXT TOOTH LCKWSHR	4-40	1	
129	129		23963A9-00		A9-01		1	E7
130	130		23134F3-00		F3-03		1	E22
131	131		23172F3-00		F3-03		1	E21
132	132		23136F3-00		F3-03		1	E20
133	133		23597A2-00		A2-05		1	E62
134	134		1215006-06		*** THIS ITEM IS NOT USED ***		-	
135	135		9105740-55		WIRE(WRAP) 30AWG KYNAR UL14		A/R	
136	136		1215006-04		*** THIS ITEM IS NOT USED ***		-	
137	137		1618204-02		BEAD,FERRITE .1380DX,330LG		2	L3,L4
138	138		9107254-00		*** THIS ITEM IS NOT USED ***		-	
139	139		1218783-00		JUMPER 02POS(1X02).100CC		5	

140 NOTE: 1. 1916680-01(2911-A) IS AN ALTERNATE PART FOR 1916680-00(2911).

D	I	G	I	T	A	L	TITLE	M8061	SECTION A OF A	SIZE	CODE	DOCUMENT NUMBER	REV
							RLV12			K	PL	M8061-0-DBP	E

NOTE:  DENOTES BACKPLANE CONNECTION

-  +12V
-  +5.0V 1
-  +5.0V 2
-  +5.0V 3
-  +5.0V 4
-  +5.0V 5
  
-  GND 1
-  GND 2
-  GND 3
-  GND 4
-  GND 5
-  GND 6
-  GND 7
-  GND 8
-  GND 9
-  GND 12
-  GND 13
-  GND 16

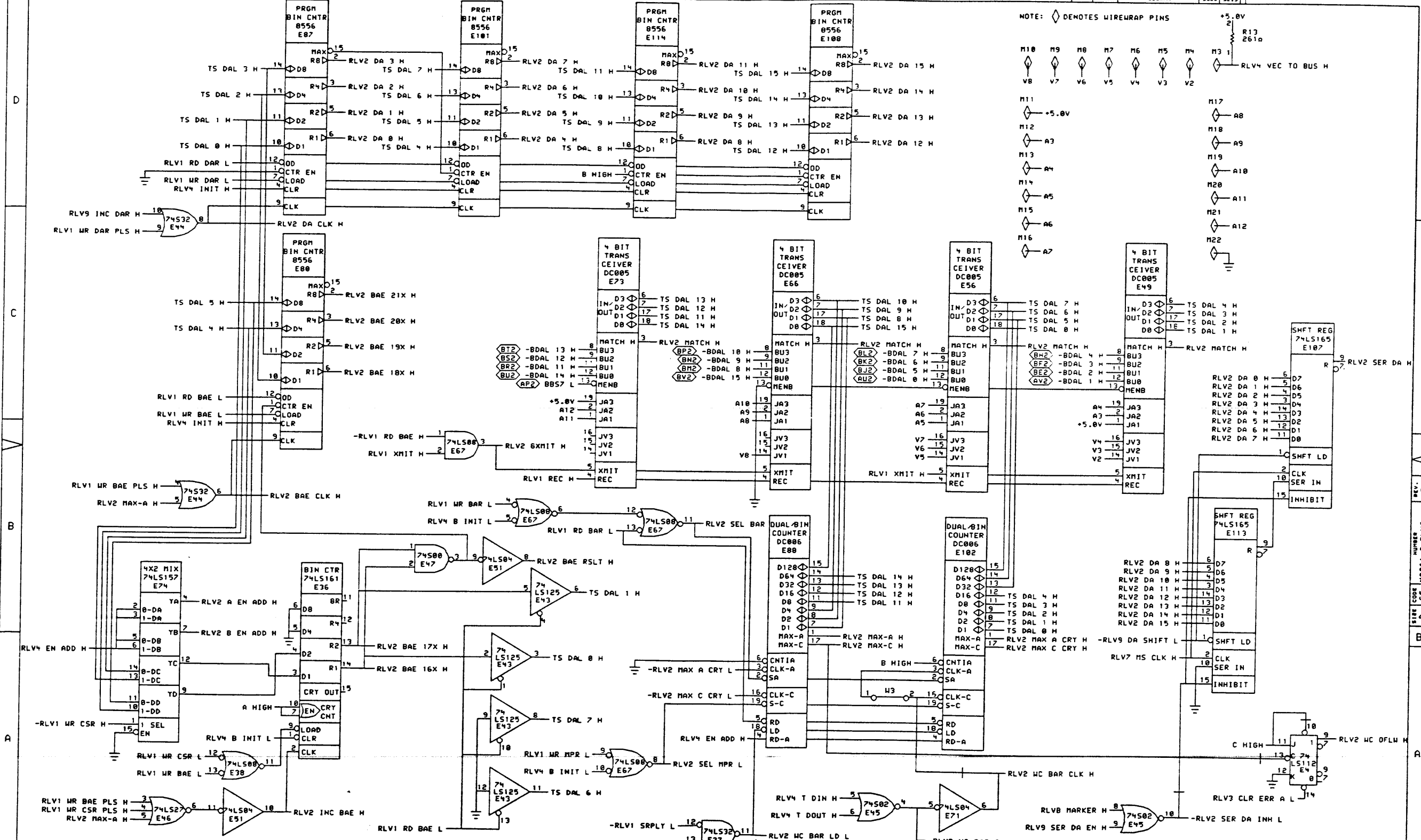


DRAWING 1 OF 15

THIS DRAWING AND SPECIFICATIONS ARE THE PROPERTY OF DIGITAL EQUIPMENT CORPORATION AND SHALL NOT BE REPRODUCED OR COPIED OR USED IN WHOLE OR IN PART AS THE BASIS FOR THE MANUFACTURE OR SALE OF ITEMS WITHOUT WRITTEN PERMISSION. COPYRIGHT © 1982, DIGITAL EQUIPMENT CORPORATION.

REV.	CHANGE NO.	REV
1	1860-18003	R
2	1860-18003	R

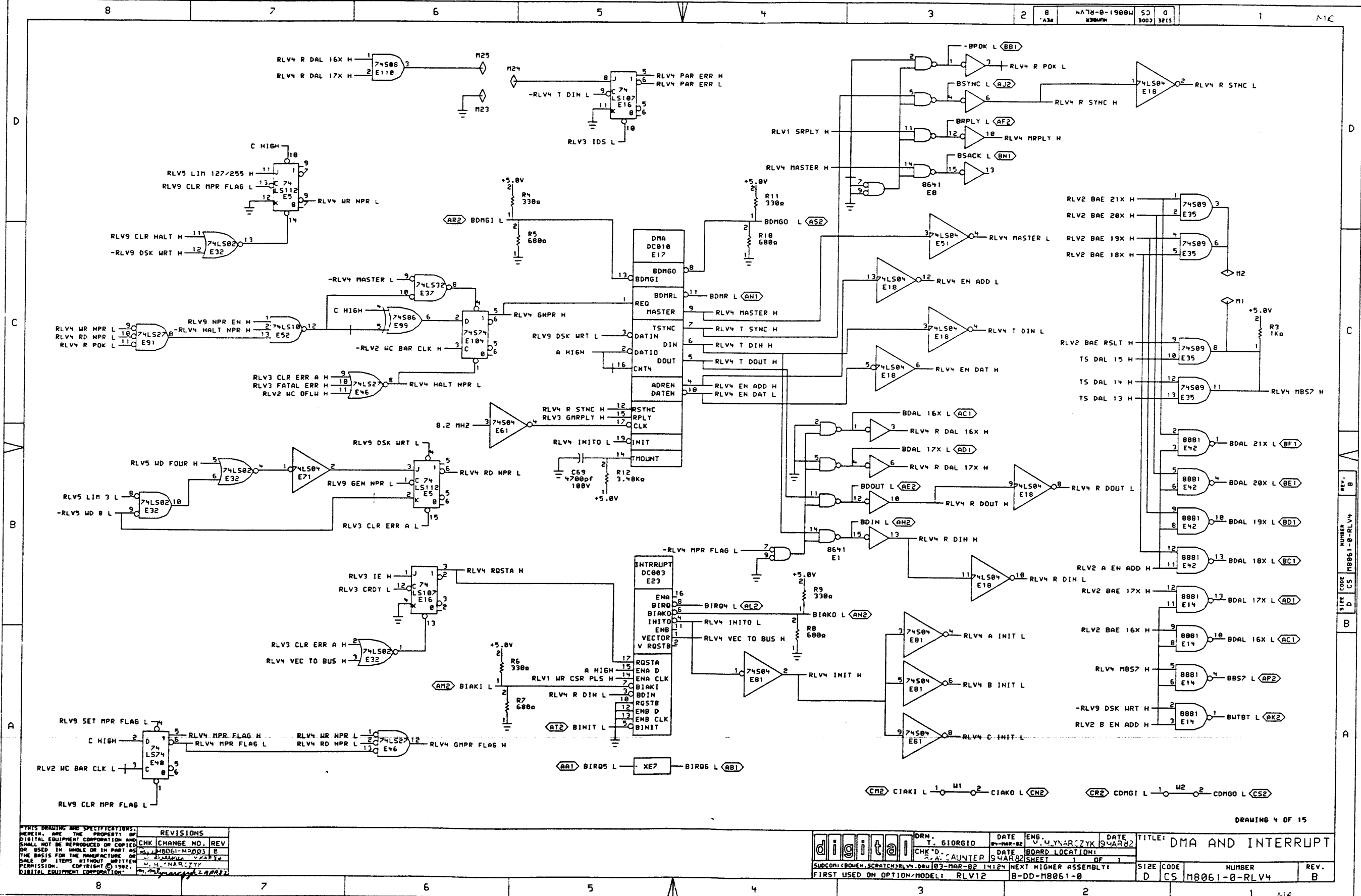
<b>digital</b>		DRW. T. GIORGIO	DATE 07-MAR-82	ENG. V. VYARZYK	DATE 04-MAR-82	TITLE: BUS PROTOCOL
CHK'D. R. J. JETER	DATE 03-MAR-82	BOARD LOCATION: 1				
SUCON: 88MEN, SCRATCH, RLV1, DRW 83-MAR-82		IN: 10	INEX: HIGHER ASSEMBLY	SIZE CODE: D CS	NUMBER: M8061-0-RLV1	REV. B
FIRST USED ON OPTION MODEL: RLV12		B-00-M8061-0				



- NOTE:  $\diamond$  DENOTES WIREWRAP PINS
- M10  $\diamond$  VB
  - M9  $\diamond$  V7
  - M8  $\diamond$  V6
  - M7  $\diamond$  V5
  - M6  $\diamond$  V4
  - M5  $\diamond$  V3
  - M4  $\diamond$  V2
  - M3  $\diamond$  +5.0V
  - M17  $\diamond$  AB
  - M18  $\diamond$  A9
  - M19  $\diamond$  A10
  - M20  $\diamond$  A11
  - M21  $\diamond$  A12
  - M22  $\diamond$  GND
  - M11  $\diamond$  +5.0V
  - M12  $\diamond$  A3
  - M13  $\diamond$  A4
  - M14  $\diamond$  A5
  - M15  $\diamond$  A6
  - M16  $\diamond$  A7





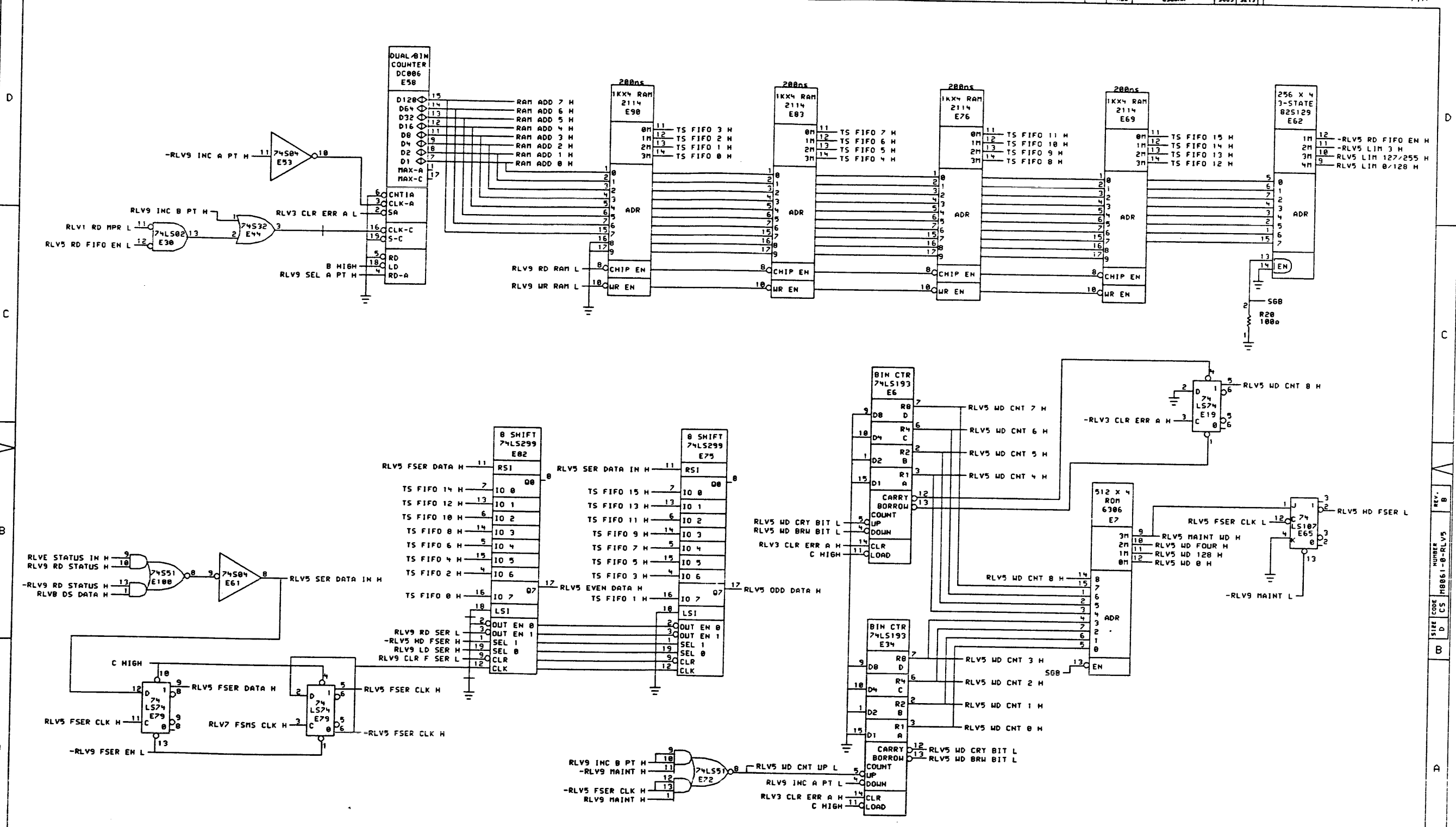


THIS DRAWING AND SPECIFICATIONS HEREIN ARE THE PROPERTY OF DIGITAL EQUIPMENT CORPORATION AND SHALL NOT BE REPRODUCED OR COPIED OR USED IN WHOLE OR IN PART AS THE BASIS FOR THE MANUFACTURE OR SALE OF ITEMS WITHOUT WRITTEN PERMISSION. COPYRIGHT © 1982, DIGITAL EQUIPMENT CORPORATION.

REV.	CHG. NO.	REV.
1	1	1

digital	DRN. T. GIORGIO	DATE 09-04-82	ENG. M. J. WARCZYK	DATE 19-03-82	TITLE: DMA AND INTERRUPT
	CHK'D. A. A. CAUNTER	DATE 03-MAR-82	SHEET 1	OF 1	BOARD LOCATION:
	SUBCOM: CROMEN SCRATCH: RLV4 D03-MAR-82 14:24 NEXT HIGHER ASSEMBLY: B-DD-M8061-0				
SIZE CODE	NUMBER	REV.			
D CS	M8061-0-RLV4	B			

DRAWING 4 OF 15



DRAWING 5 OF 15

THIS DRAWING AND SPECIFICATIONS ARE THE PROPERTY OF DIGITAL EQUIPMENT CORPORATION AND SHALL NOT BE REPRODUCED OR COPIED OR USED IN WHOLE OR IN PART AS THE BASIS FOR THE MANUFACTURE OR SALE OF ITEMS WITHOUT WRITTEN PERMISSION. COPYRIGHT © 1982, DIGITAL EQUIPMENT CORPORATION.

REV.	CHG.	NO.	REV.
1	1	1	B

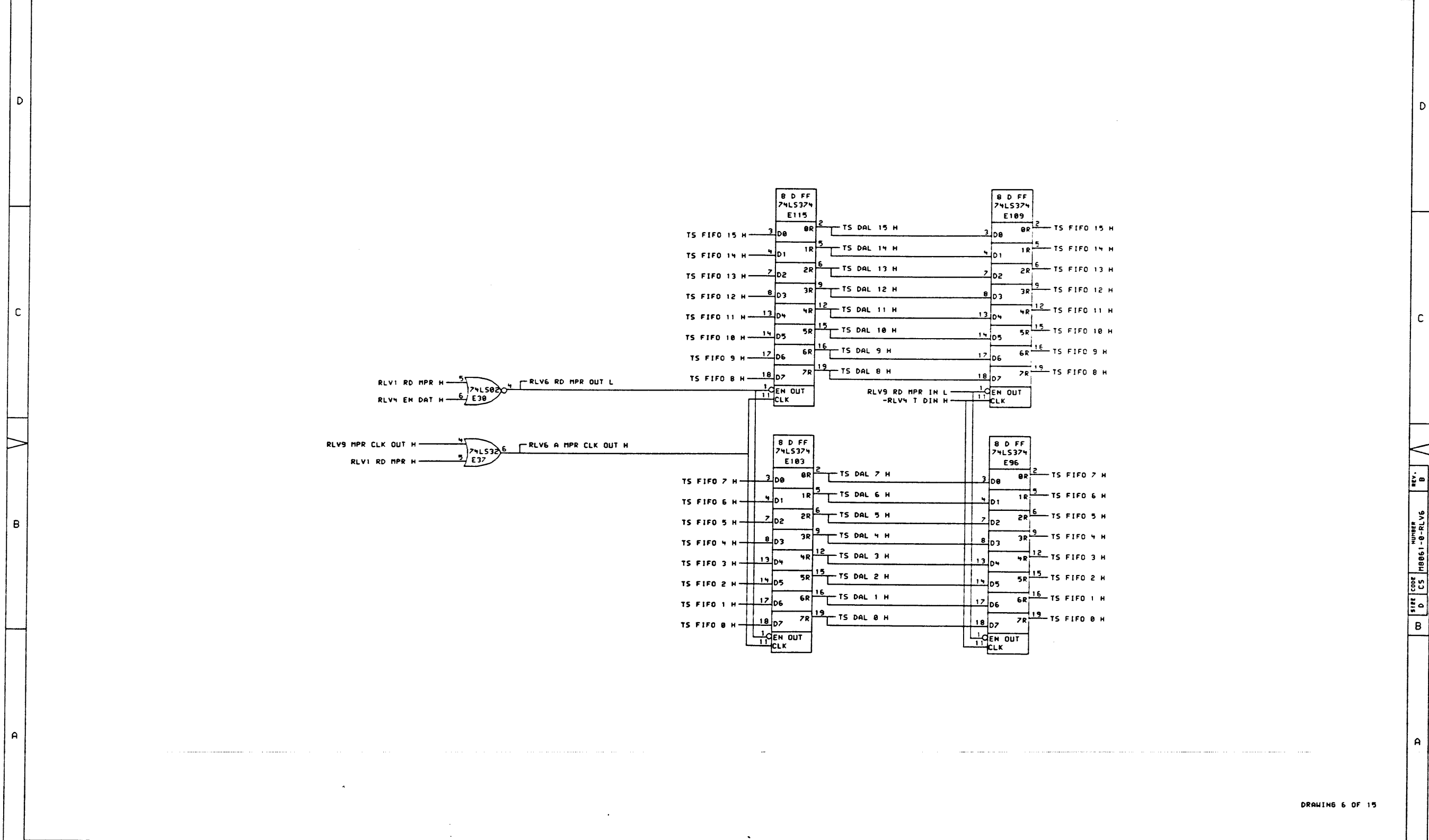
REV.	CHG.	NO.	REV.
1	1	1	B

digital DRN. T. GIORGIO DATE 24-MAR-82 ENG. M. WYNARCZYK DATE 9-MAR-82 TITLE: FIFO

CHK'D. R.W. CAUNTER DATE 24-MAR-82 BOARD LOCATION: 1 OF 1

SUBCONTRACTOR: SCRATCHPADS, INC. 14229 NEXT HIGHER ASSEMBLY: B-DD-M8061-0

SIZE	CODE	NUMBER	REV.
D	CS	M8061-0-RLV5	B



REV. B  
NUMBER MB061-0-RLV6  
SIZE CODE D CS  
B

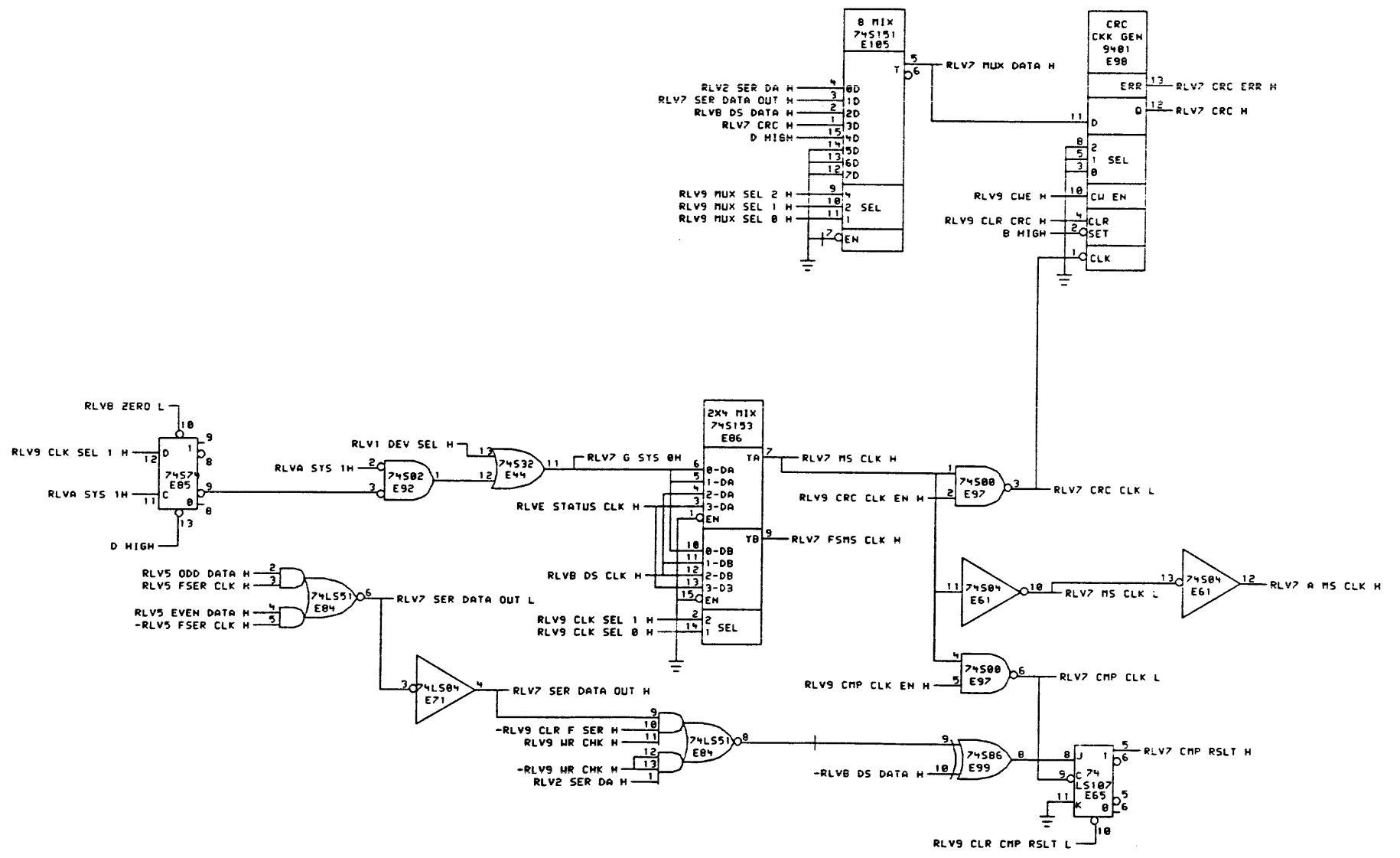
DRAWING 6 OF 15

THIS DRAWING AND SPECIFICATIONS, HEREIN, ARE THE PROPERTY OF DIGITAL EQUIPMENT CORPORATION AND SHALL NOT BE REPRODUCED OR COPIED OR USED IN WHOLE OR IN PART AS THE BASIS FOR THE MANUFACTURE OF SALE OF ITEMS WITHOUT WRITTEN PERMISSION. COPYRIGHT © 1982. DIGITAL EQUIPMENT CORPORATION

REVISIONS	
CHK	CHANGE NO. REV
W	MROG - MRO03 B
W	ALV11222 3 0582
W	M. W. CAUNTER

DRN.	T. GIORGIO	DATE	04-MAR-82	ENG.	M. W. CAUNTER	DATE	09-MAR-82	TITLE:	FIFO BUFFER REGISTER
CHK'D.	A. W. CAUNTER	DATE	09-MAR-82	BOARD LOCATION:	1 OF 1				
SUDCON: (BORN, SCRATCH) RLV6.000		DATE	03-MAR-82 14:34	NEXT HIGHER ASSEMBLY:	8-DD-MB061-0				
FIRST USED ON OPTION/MODEL:		RLV12							

SIZE CODE	D CS	NUMBER	MB061-0-RLV6	REV.	B
-----------	------	--------	--------------	------	---

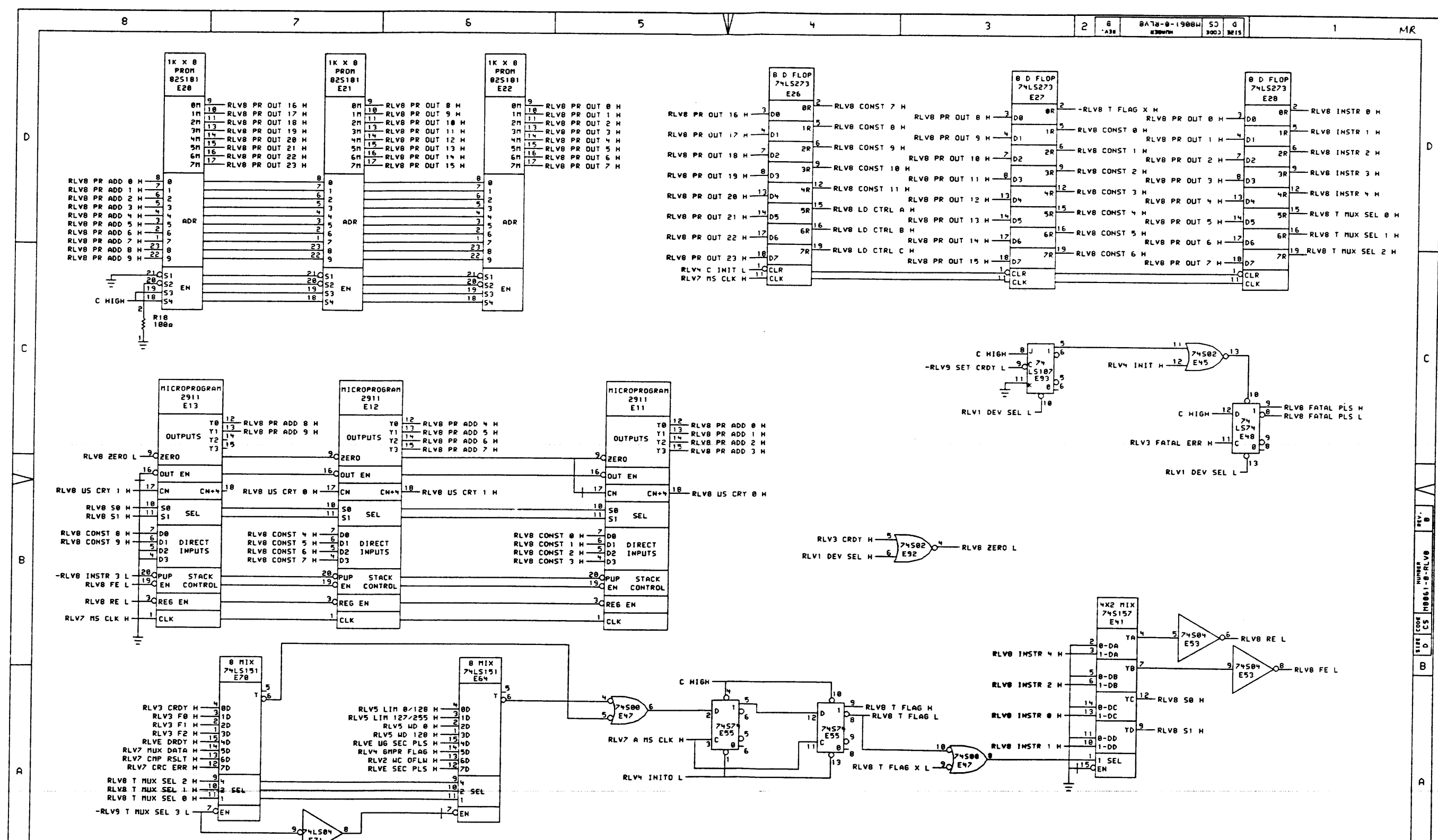


DRAWING 7 OF 15

REVISIONS	
CHK	CHANGE NO. REV.
U.S. YANARCTIK	1

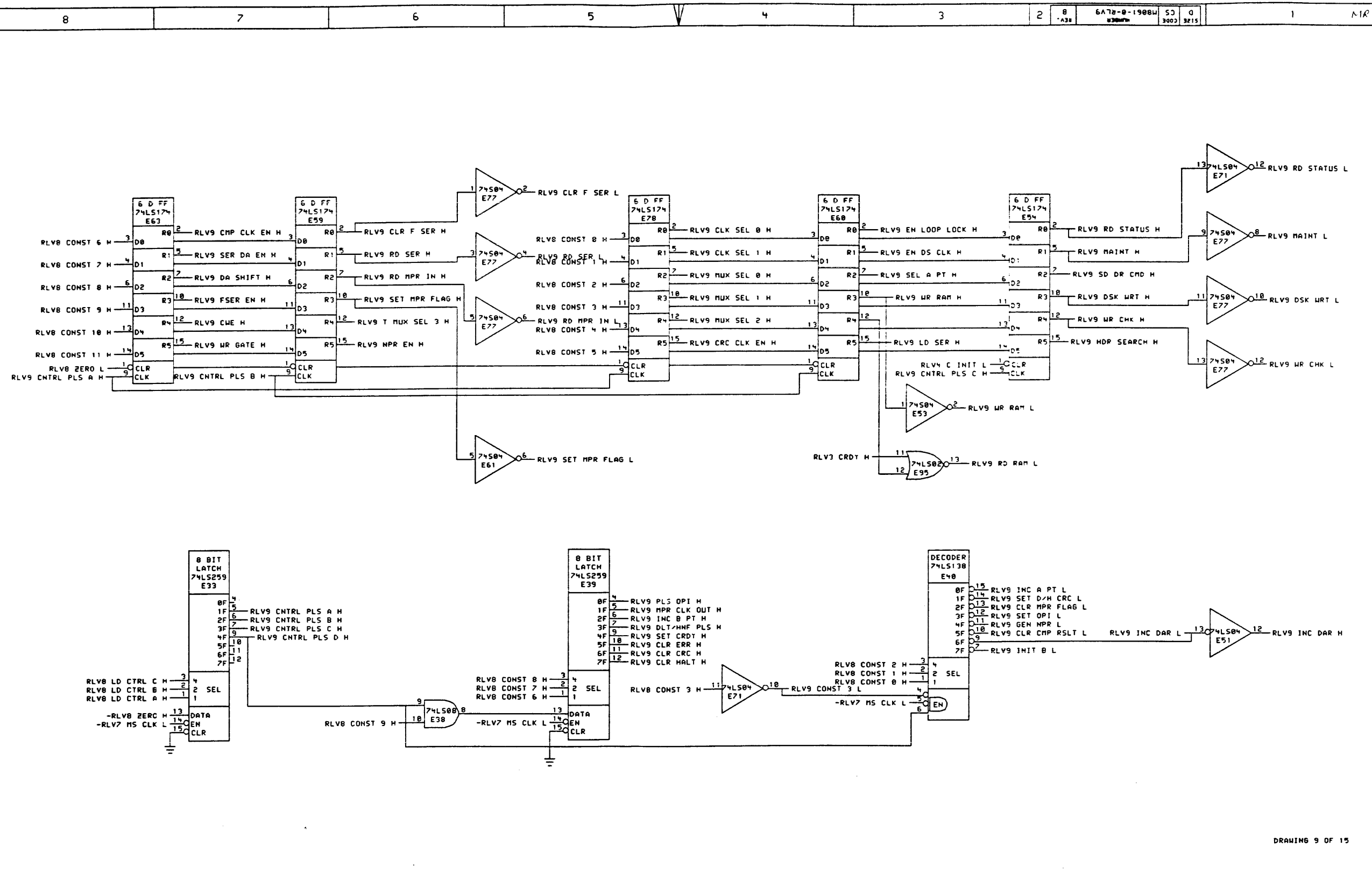
THIS DRAWING AND SPECIFICATIONS HEREBY ARE THE PROPERTY OF DIGITAL EQUIPMENT CORPORATION AND SHALL NOT BE REPRODUCED OR COPIED OR USED IN WHOLE OR IN PART AS THE BASIS FOR THE MANUFACTURE OF ANY ITEM WITHOUT WRITTEN PERMISSION. COPYRIGHT © 1982. DIGITAL EQUIPMENT CORPORATION

digital	DRN. T. GIORGIO	DATE 18-MAR-82	ENG. M. MYNARCZYK	DATE 09-MAR-82	TITLE: MUX'S & CRC
	CHK'D. R.W. CAJATED	DATE 14-MAR-82	BOARD LOCATION: U100	SHEET 1 OF 1	
SUBCON: (CROWEN, SCRATCH) RLV7, DRU 103-MAR-82 14:30		NEXT HIGHER ASSEMBLY: B-DD-M8061-0		SIZE CODE D CS	NUMBER M8061-0-RLV7
FIRST USED ON OPTION/MODEL: RLV12			REV. C		



DRAWING B OF 15

<b>REVISIONS</b> CHG. NO.   REV.   DATE   BY 1   1   1982-03-02   M. W. CAUNTER			<b>CONTROL STORE SEQUENCER</b> BOARD LOCATION: 1 OF 1 SHEET 1 OF 1			TITLE: CONTROL STORE SEQUENCER		DATE: 03-MAR-82 ENG. N. MLYNAR-CZYK DR. T. GIORGIO		DATE: 03-MAR-82 DATE: 03-MAR-82		DATE: 03-MAR-82 DATE: 03-MAR-82		DATE: 03-MAR-82 DATE: 03-MAR-82		DATE: 03-MAR-82 DATE: 03-MAR-82		DATE: 03-MAR-82 DATE: 03-MAR-82		DATE: 03-MAR-82 DATE: 03-MAR-82	
DIGITAL DR. T. GIORGIO M. W. CAUNTER SUBCIRCUIT NO. 18061-0-RLV8 FIRST USED ON OPTION MODEL: RLV12												SIZE CODE D C5		NUMBER M8061-0-RLV8		REV. B					



DRAWING 9 OF 15

THIS DRAWING AND SPECIFICATIONS HEREIN ARE THE PROPERTY OF DIGITAL EQUIPMENT CORPORATION AND SHALL NOT BE REPRODUCED OR COPIED OR USED IN WHOLE OR IN PART AS THE BASIS FOR THE MANUFACTURE OR SALE OF ITEMS WITHOUT WRITTEN PERMISSION. COPYRIGHT © 1982.

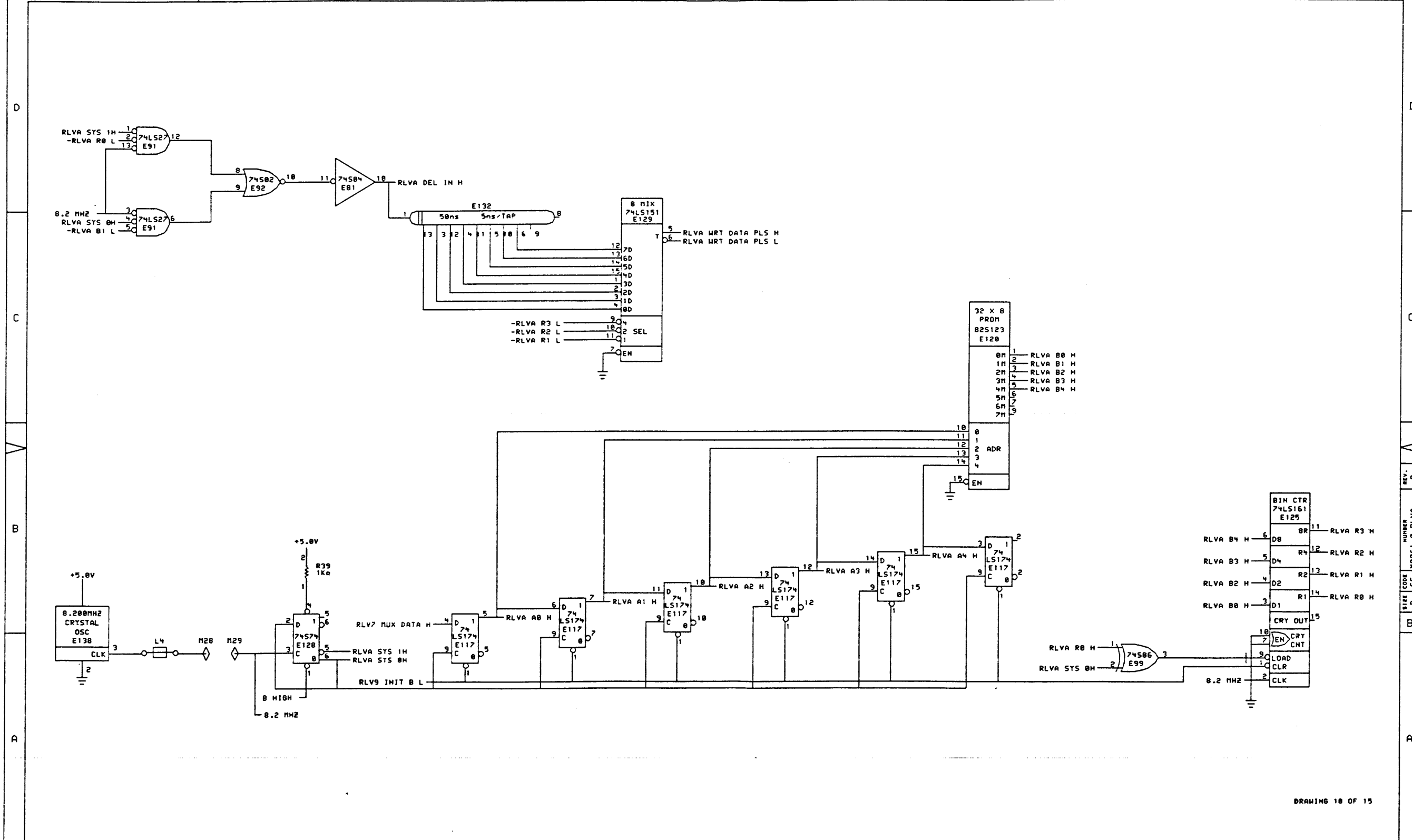
REVOLUTIONS	
CHK	CHANGE NO. REV

DATE: 12-15-82  
 MADE AT: ANDOVER, MASS.  
 M.H. YAKUBOVICH

SIZE	CODE	NUMBER	REV.
D	CS	M8061-0-RLV9	B

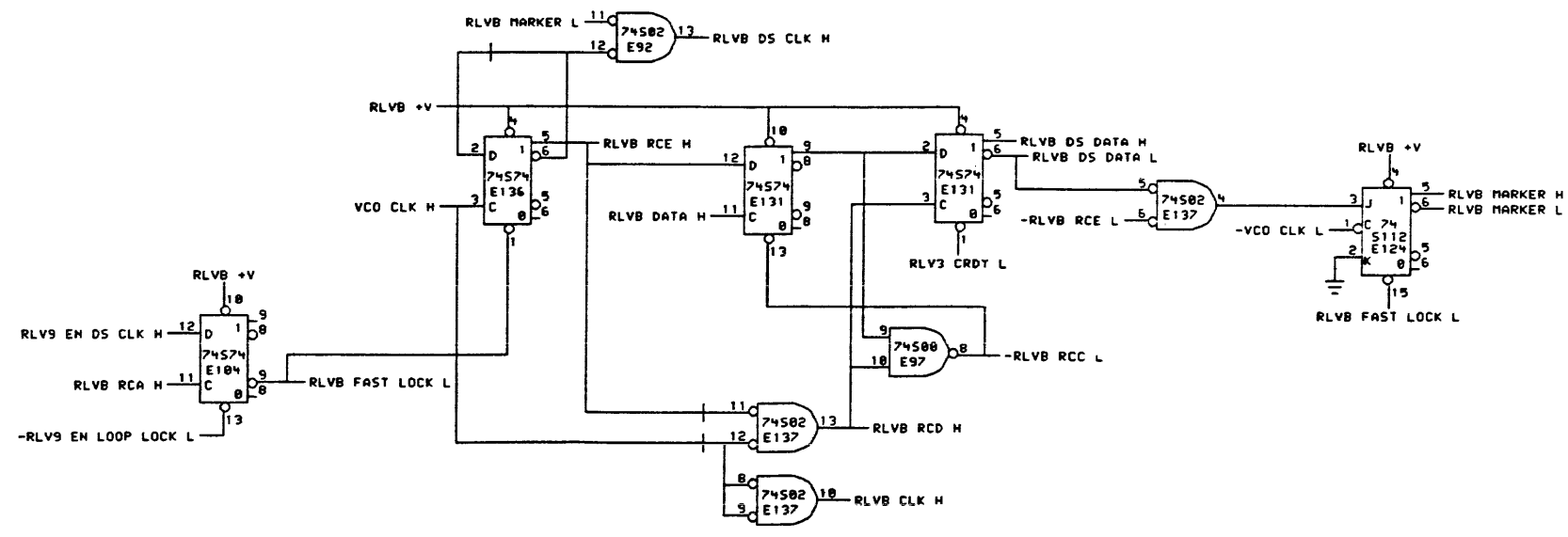
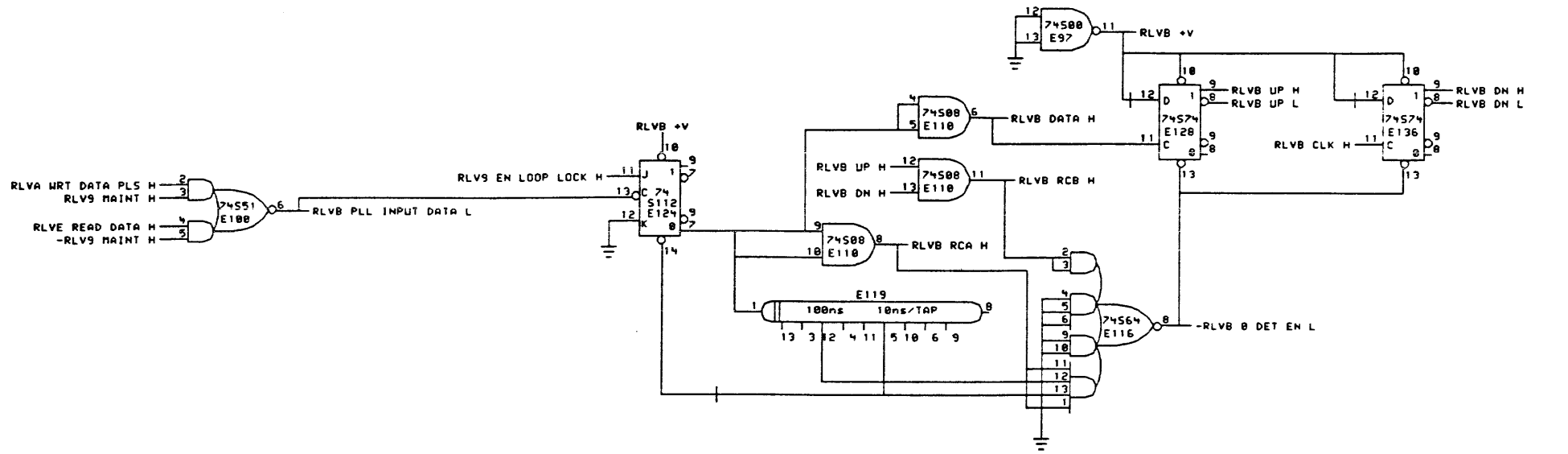
<b>digital</b>	DRN. T. GIORGIO	DATE ENG. 12-MAR-82	DATE M. MLYNARCIK
CHK'D. R. CAUNTER	DATE BOARD LOCATION: 10-MAR-82	DATE SHEET: 1 OF 1	
SUCCESSION: SCOTCH RLV9 04-MAR-82 08:02 NEXT HIGHER ASSEMBLY:			
FIRST USED ON OPTION/MODEL: RLV12			

TITLE:		REV.	
RLV12 CONTROL SIGNALS		B	
SIZE	CODE	NUMBER	REV.
D	CS	M8061-0-RLV9	B



DRAWING 10 OF 15

THIS DRAWING AND SPECIFICATIONS ARE THE PROPERTY OF DIGITAL EQUIPMENT CORPORATION AND SHALL NOT BE REPRODUCED OR COPIED IN WHOLE OR IN PART WITHOUT THE WRITTEN PERMISSION OF DIGITAL EQUIPMENT CORPORATION.		REVISIONS CHK CHANGE NO. REV H. MLYNARCZYK M. MLYNARCZYK		ORN. T. GIORGIO DATE 04-MAR-82 CHK'D. R.W. CAUNTER DATE 04-MAR-82 SUBCOM: (BOWEN, SCRATCH) RLVA.DRU 04-MAR-82 07:50 FIRST USED ON OPTION/MODEL: RLV12		ENG. M. MLYNARCZYK DATE 04-MAR-82 DATE BOARD LOCATION: SHEET 1 OF 1 NEXT HIGHER ASSEMBLY: B-DD-M8061-0		TITLE: WRITE ENCODE CIRCUIT SIZE CODE NUMBER REV. D CS M8061-0-RLVA B	
--	--	---	--	--	--	--	--	---	--



DRAWING 11 OF 15

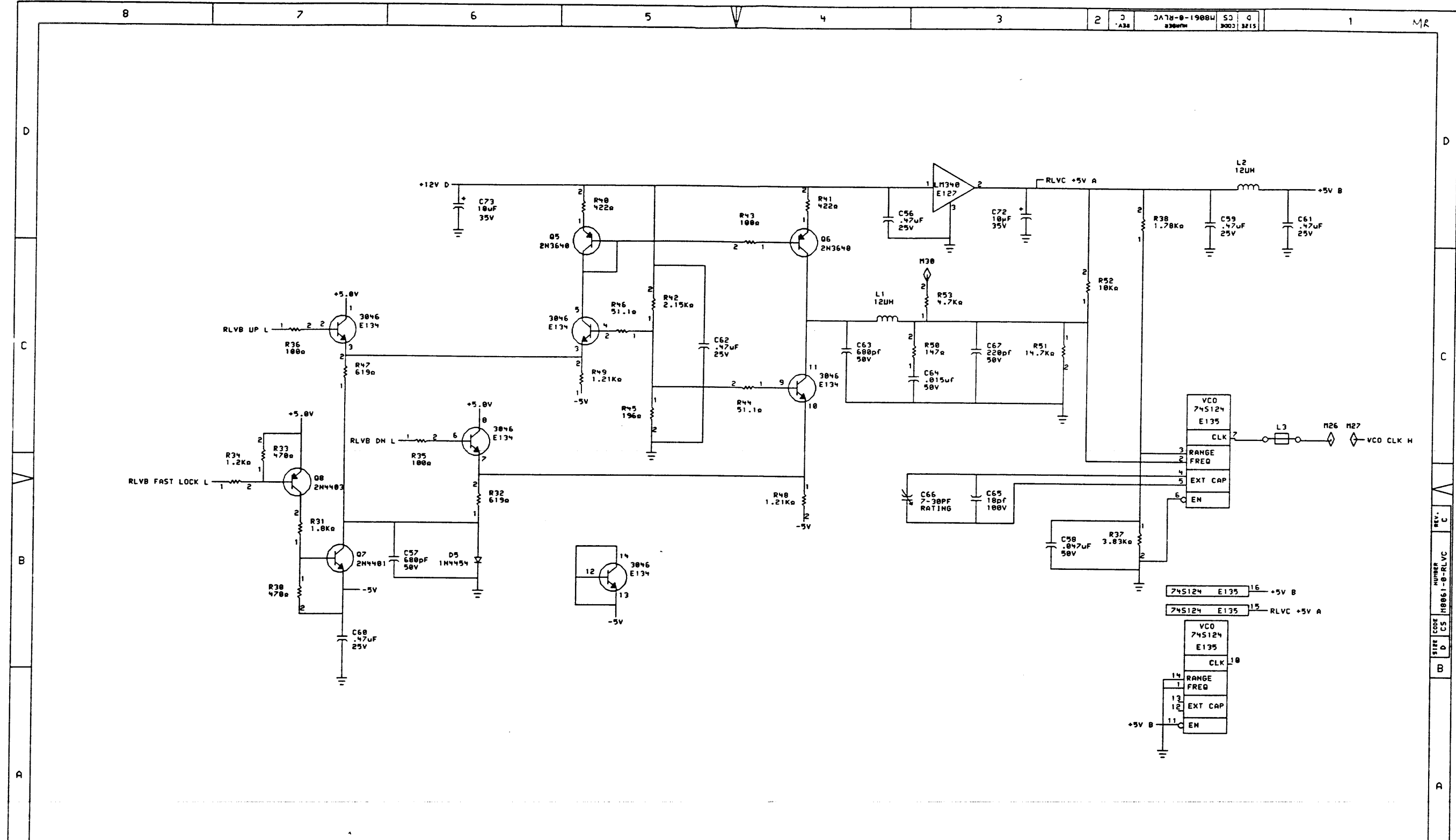
THIS DRAWING AND SPECIFICATIONS HEREIN ARE THE PROPERTY OF DIGITAL EQUIPMENT CORPORATION AND SHALL NOT BE REPRODUCED OR COPIED OR USED IN WHOLE OR IN PART AS THE BASIS FOR THE MANUFACTURE OF SALE OF ITEMS WITHOUT WRITTEN PERMISSION. COPYRIGHT © 1982. RIA 33. EQUIPMENT CORPORATION.

REVISIONS	
CHK	CHANGE NO. REV
W	14021-4503 B
W	14021-4503 B
W	14021-4503 B
W	14021-4503 B
W	14021-4503 B

digital	DRW. 1. GIORGIO	DATE 09-MAR-82	ENG. W. WYNAJCZYK	DATE 09-MAR-82	TITLE: READ CIRCUIT
	CHK'D. E.W. CAUNTER	DATE 09-MAR-82	DATE 09-MAR-82	DATE 09-MAR-82	DATE 09-MAR-82
SUBCOM: BOMEN, SCRATCH 211VB.DRW		183-MAR-82 14:58	NEXT HIGHER ASSEMBLY:		SIZE CODE NUMBER REV.
FIRST USED ON OPTION/MODEL: RLV12		B-DD-M8061-R	D CS	M8061-0-RLVB	B

REV. B  
 NUMBER M8061-0-RLVB  
 CS  
 D  
 B

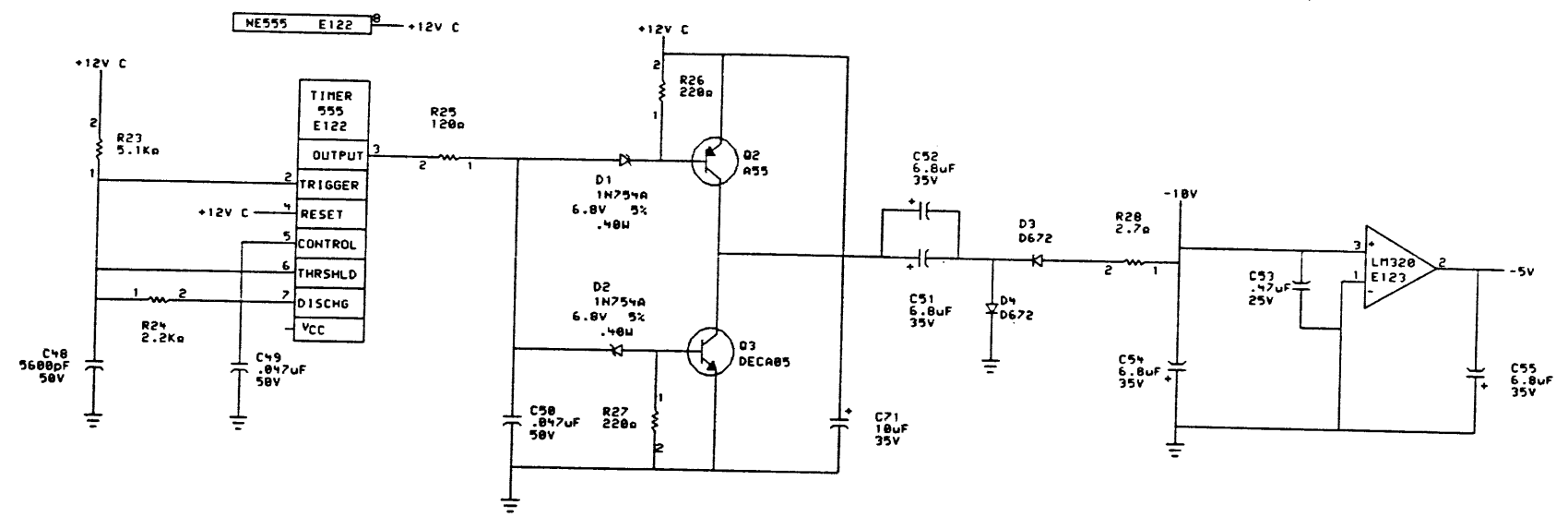




DRAWING 12 OF 15

REVISIONS	
CHK	CHANGE NO. REV
1	18061-MAR03 C
2	18061-MAR03 D
3	18061-MAR03 E
4	18061-MAR03 F
5	18061-MAR03 G
6	18061-MAR03 H
7	18061-MAR03 I
8	18061-MAR03 J
9	18061-MAR03 K
10	18061-MAR03 L
11	18061-MAR03 M
12	18061-MAR03 N
13	18061-MAR03 O
14	18061-MAR03 P
15	18061-MAR03 Q
16	18061-MAR03 R
17	18061-MAR03 S
18	18061-MAR03 T
19	18061-MAR03 U
20	18061-MAR03 V
21	18061-MAR03 W
22	18061-MAR03 X
23	18061-MAR03 Y
24	18061-MAR03 Z

digital	DRN. T. GIORGIO	DATE 01-MAR-82	ENG. M. MLYNARCZYK	DATE 09-MAR-82	TITLE: CURRENT PUMP/VCO
	CHK'D. R.W. CAUNTER	DATE 02-MAR-82	BOARD LOCATION:		
	SUBCON: (BOMEN, SCRATCH) RLVC, DRN 103-MAR-82	14155	NEXT HIGHER ASSEMBLY:		
	FIRST USED ON OPTION/MODEL: RL12	B-DD-M8061-0			
SIZE	CODE	NUMBER	REV.		
D	CS	M8061-0-RLVC	C		

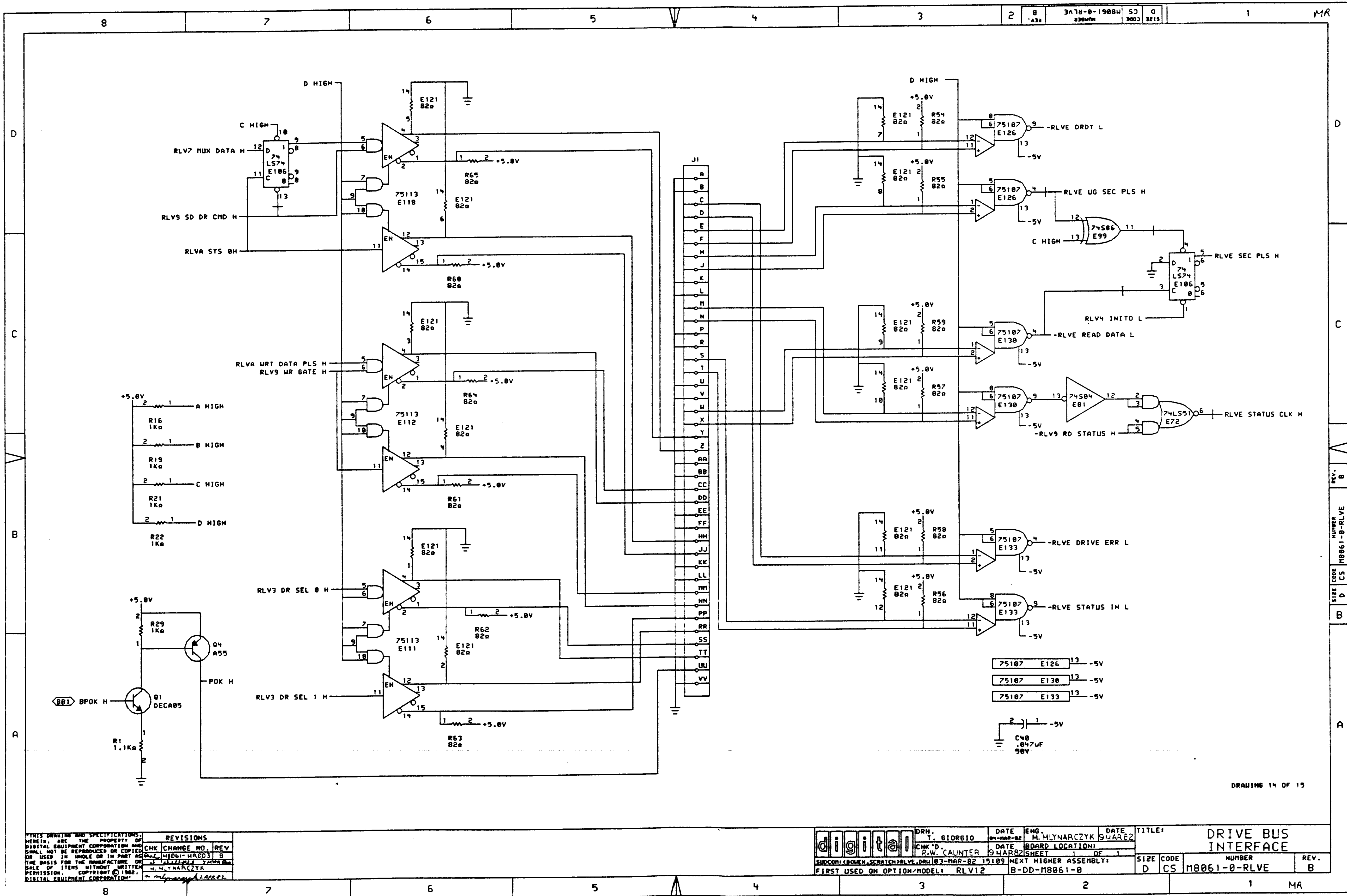


DRAWING 13 OF 15

THIS DRAWING AND SPECIFICATIONS ARE THE PROPERTY OF DIGITAL EQUIPMENT CORPORATION AND SHALL NOT BE REPRODUCED OR COPIED OR USED IN WHOLE OR IN PART AS THE BASIS FOR THE MANUFACTURE OR SALE OF ITEMS WITHOUT WRITTEN PERMISSION. COPYRIGHT © 1982, DIGITAL EQUIPMENT CORPORATION.

REVISIONS	
CHK	CHANGE NO. REV
UJ	1 MAR 82 3
WJ	1 MAR 82 4

digital	DRN. T. GIORGIO	DATE 07-MAR-82	ENG. V. J. YNARCZYK	DATE 03-MAR-82	TITLE: -5V CHARGE PUMP
	CHK'D. R. W. CALVERT	DATE 09-MAR-82	BOARD LOCATION: 1 OF 1	SHEET 1 OF 1	
SUBJECT: BOMEX, SCRATCH-RLVD. DRW 103-MAR-82 15:01		NEXT HIGHER ASSEMBLY: B-DD-M8061-0		SIZE CODE D CS	NUMBER M8061-0-RLVD
FIRST USED ON OPTION/MODEL: RLV12				REV. B	



DRAWING 14 OF 15

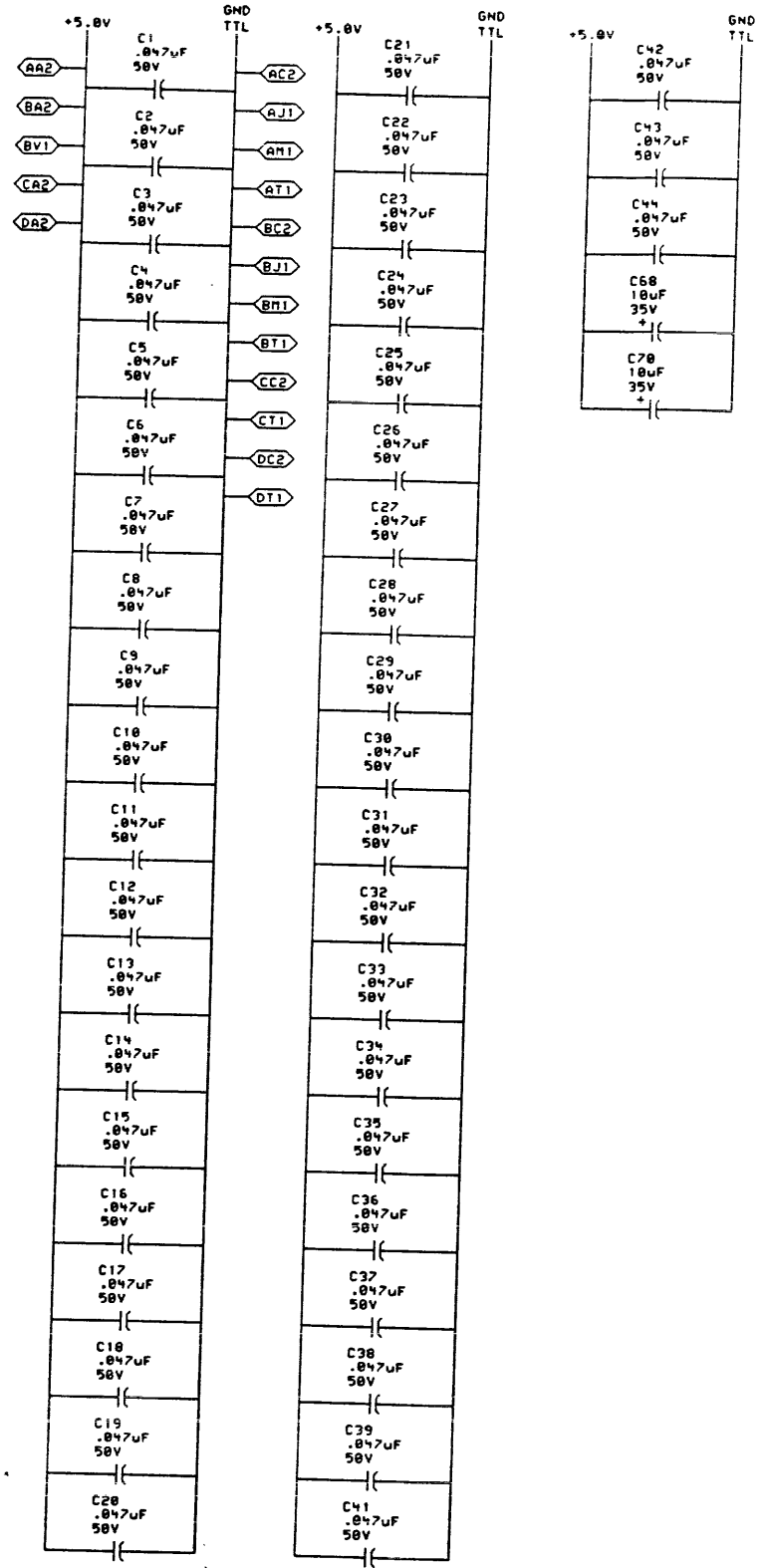
THIS DRAWING AND SPECIFICATIONS HEREAFTER ARE THE PROPERTY OF DIGITAL EQUIPMENT CORPORATION AND SHALL NOT BE REPRODUCED OR COPIED OR USED IN WHOLE OR IN PART WITHOUT THE WRITTEN PERMISSION OF DIGITAL EQUIPMENT CORPORATION.

REVISIONS	
CHG	CHANGE NO. REV

DRM. I. GIORGIO	DATE 09-14-82	ENG. MLYNACZYK	DATE 09-14-82	TITLE: DRIVE BUS INTERFACE
CHK'D R.W. CAUNTER	DATE 09-22-82	BOARD LOCATION: 1 OF 1		
SUPCON (BOMEN, SCRATCH) RLVE. DRU 03-MAR-82 15109		NEXT HIGHER ASSEMBLY: B-DD-M8061-0		
FIRST USED ON OPTION/MODEL: RLV12			SIZE CODE NUMBER REV. D CS M8061-0-RLVE B	

REV. B  
NUMBER B  
CS M8061-0-RLVE  
SIZE CODE D

JALB-8-1988W  
 3002 3215



- |        |        |        |
|--------|--------|--------|
| AE1-NC | CJ2-NC | DC1-NC |
| AF1-NC | CK2-NC | DD1-NC |
| AH1-NC | CL1-NC | DE1-NC |
| AK1-NC | CM1-NC | DF1-NC |
| AL1-NC | CN1-NC | DH1-NC |
| AP1-NC | CP1-NC | DJ1-NC |
| AR1-NC | CR1-NC | DK1-NC |
| AS1-NC | CS1-NC | DL1-NC |
| AU1-NC | CU1-NC | DM1-NC |
| AV1-NC | CV1-NC | DN1-NC |
| AB2-NC | CL2-NC | DP1-NC |
| BA1-NC | CP2-NC | DR1-NC |
| BH1-NC | CT2-NC | DS1-NC |
| BK1-NC | CU2-NC | DU1-NC |
| BL1-NC | CV2-NC | DV1-NC |
| BR1-NC | DB2-NC |        |
| BS1-NC | DD2-NC |        |
| BU1-NC | DE2-NC |        |
| BB2-NC | DF2-NC |        |
| CA1-NC | DH2-NC |        |
| CB1-NC | DJ2-NC |        |
| CC1-NC | DK2-NC |        |
| CD1-NC | DN2-NC |        |
| CE1-NC | DL2-NC |        |
| CF1-NC | DH2-NC |        |
| CH1-NC | DP2-NC |        |
| CJ1-NC | DR2-NC |        |
| CK1-NC | DS2-NC |        |
| CB2-NC | DT2-NC |        |
| CD2-NC | DV2-NC |        |
| CE2-NC | DA1-NC |        |
| CF2-NC | DB1-NC |        |
| CH2-NC |        |        |

DRAWING 15 OF 15

THIS DRAWING AND SPECIFICATIONS, HEREIN, ARE THE PROPERTY OF DIGITAL EQUIPMENT CORPORATION AND SHALL NOT BE REPRODUCED OR COPIED IN WHOLE OR IN PART AS A BASIS FOR THE MANUFACTURE OR SALE OF ITEMS WITHOUT WRITTEN PERMISSION. COPYRIGHT © 1982, DIGITAL EQUIPMENT CORPORATION.

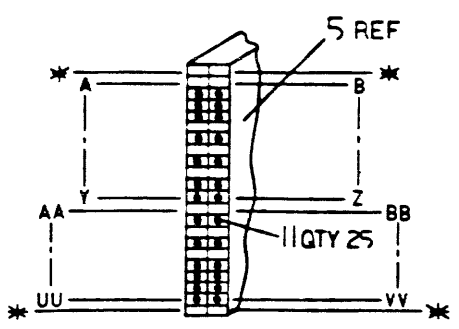
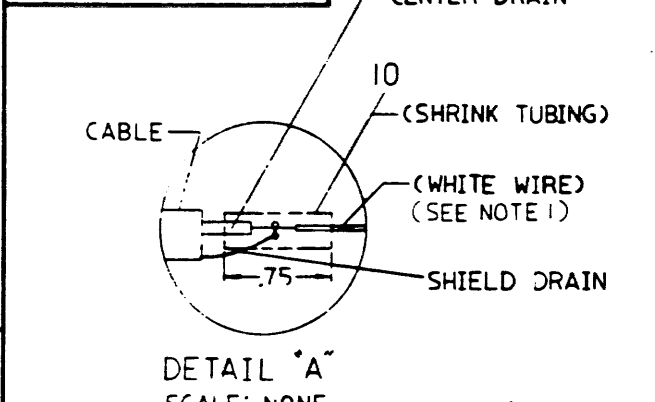
REV.	CHG. NO.	REV.
1	1000	1

	DRN. T. GIORGIO	DATE 04-MAR-82	ENG. M. MLYNARCZYK	DATE 09-MAR-82	TITLE: CAPS
	CHK'D. R. W. CAUNTER	DATE 04-MAR-82	BOARD LOCATION: 1		
SUBCON: BROWN, SCRATCH RLVF, DRW 03-MAR-82 15:10 FIRST USED ON OPTION/MODEL: RLV12			NEXT HIGHER ASSEMBLY: B-DD-M8061-0		SIZE CODE: D CS NUMBER: M8061-0-RLVF REV. B

REV. B  
 NUMBER M8061-0-RLVF  
 SIZE CODE D CS

0-0-W0808

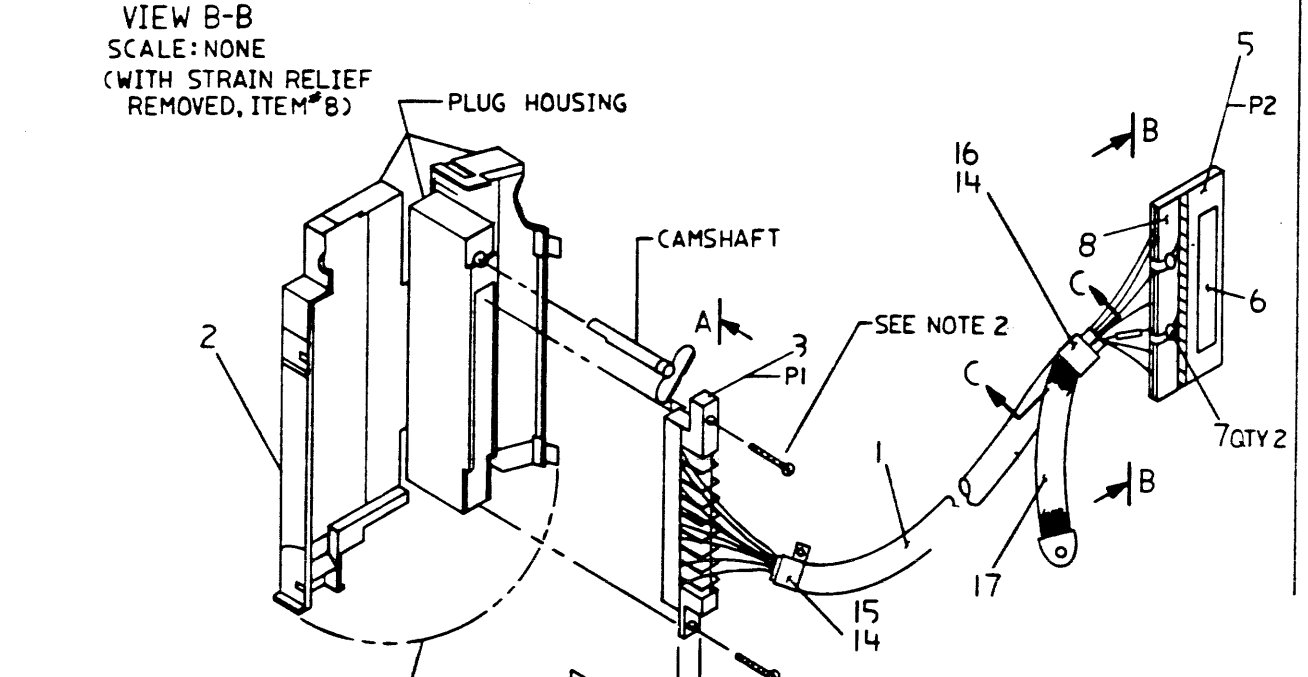
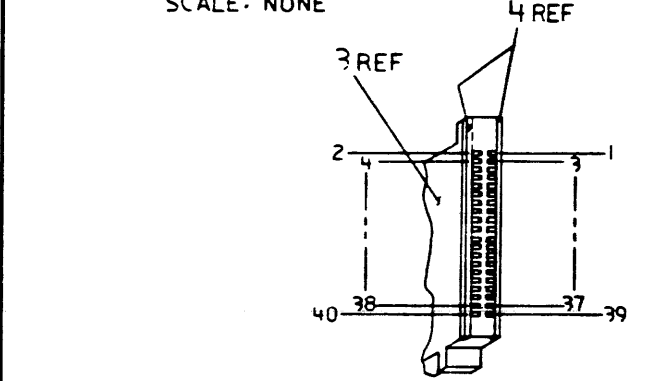
THIS DRAWING AND SPECIFICATIONS HEREIN ARE THE PROPERTY OF DIGITAL EQUIPMENT CORPORATION AND SHALL NOT BE REPRODUCED OR COPIED IN WHOLE OR IN PART AS THE BASIS FOR THE MANUFACTURE OR SALE OF ITEMS WITHOUT WRITTEN PERMISSION. COPYRIGHT © 1981 DIGITAL EQUIPMENT CORPORATION.



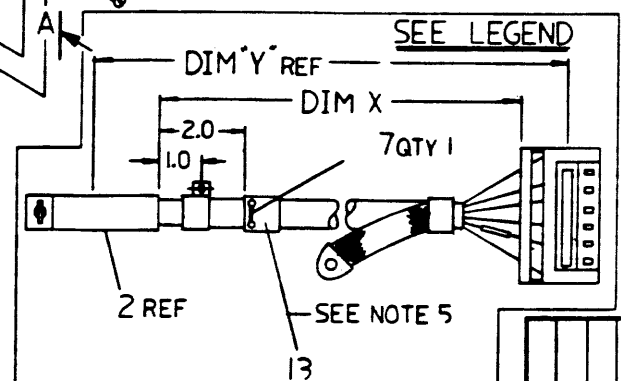
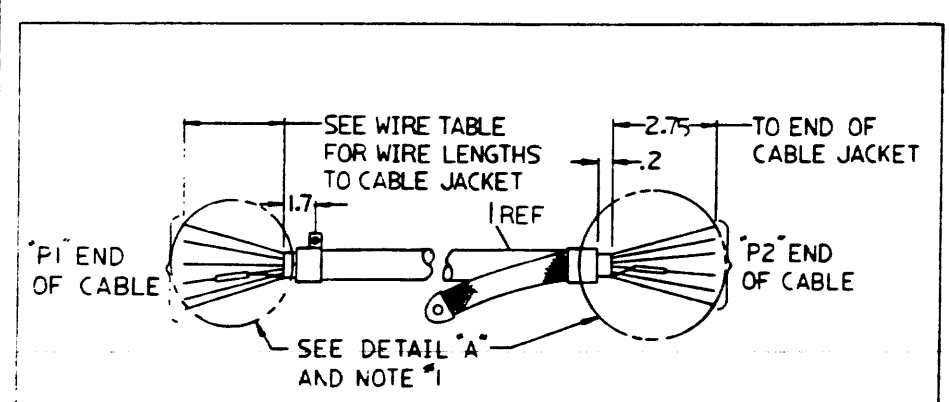
LEGEND

NUMBER	DIM 'X' VARIATION	DIM 'Y' (PRECUT) REF
BC80M-06	6FT-0IN ±2IN	6FT-8.0 IN
BC80M-10	10FT-0IN ±2IN	10FT-8.0 IN
BC80M-15	15FT-0IN ±2IN	15FT-8.0 IN
BC80M-25	25FT-0IN ±3IN	25FT-10.5 IN
BC80M-50	50FT-0IN ±3IN	50FT-10.5 IN
BC80M-A3	100FT-0IN ±3IN	100FT-10.5 IN
BC80M-12	12FT-0IN ±2IN	12FT-8.0 IN

NOTES:  
FOR NOTES SEE SHEET 2



FOR WIRE TABLE SEE SHEET 2



CAUTION: OFF SHEET PARTS LIST EXISTS.  
SEE K-PL-BC80M-0-DBP

REVISION HISTORY

DATE	REV.	INITIAL	DESCRIPTION
12/15/80	A	J. Donahue	INITIAL
1/15/81	B	J. Donahue	REVISED
3/15/81	C	R. Fitch	REVISED
7/15/81	D	J. Donahue	REVISED
8/15/81	E	R. Fitch	REVISED

DESCRIPTION	DRAWING NO.	PART NO.	ITEM NO.
UNLESS OTHERWISE SPECIFIED DIMENSIONS ARE IN INCHES AND THE FOLLOWING TOLERANCES APPLY (PER DEC STD 114)			
INCHES TOLERANCES	ANGLES ±0°30'	APPLICABLE DIMENSION RANGE (CHECK ONE)	OVER 12 TO 18
			OVER 18 TO 48.9
X = ±.1 XX = ±.08 XXX = ±.05	SURFACE QUALITY	CHECK ONE	OVER 12 TO 18
			OVER 18 TO 48.9
QUANTITY & VARIATION			OVER 48.9 TO 68.9
THIRD ANGLE PROJECTION	DATE 15 JULY 81	TITLE	OVER 68.9 TO 88.9
DO NOT SCALE DRAWING	DATE 3-SEP-81	I/O CABLE (BC80M)	OVER 88.9 TO 108.9
REMOVE BLURS AND BREAK SHARP CORNERS	DATE 14-SEP-81		OVER 108.9 TO 128.9
MATERIAL	DATE 14-SEP-81		OVER 128.9 TO 148.9
SEE PARTS LIST	DATE	DOCUMENT NUMBER	OVER 148.9 TO 168.9
FINISH		DJA BC80M-0-0	OVER 168.9 TO 188.9

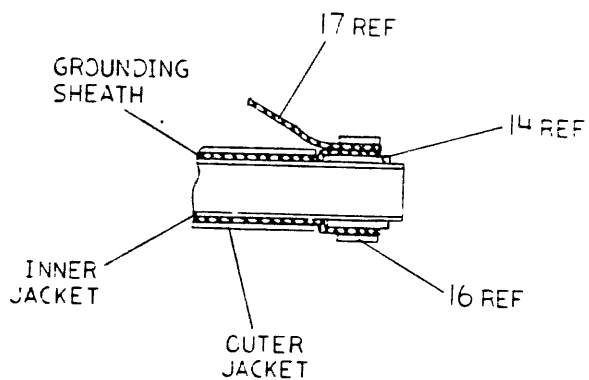
DJA BC80M-0-0

THIS DRAWING AND SPECIFICATIONS HEREIN ARE THE PROPERTY OF DIGITAL EQUIPMENT CORPORATION AND SHALL NOT BE REPRODUCED OR COPIED OR USED IN WHOLE OR IN PART AS THE BASIS FOR THE MANUFACTURE OR SALE OF ITEMS WITHOUT WRITTEN PERMISSION.  
COPYRIGHT © 1971 DIGITAL EQUIPMENT CORPORATION

ITEM NO.	WIRE LENGTH TO CABLE JACKET	DESCRIPTION	FROM		TO		SIGNAL NAME	REMARKS
			CONN	TERM	CONN	TERM		
			PI-1		P2-A			
			PI-2		P2-B			NO CONN
	2.50	RED	PI-3		P2-C	ITEM 11	DRV ERR +	
	2.50	TWP WHT/RED	PI-4		P2-D	ITEM 11	DRV ERR -	
	2.38	RED	PI-5		P2-E		DRV RDY +	
	2.38	TWP WHT/GRN	PI-6		P2-F		DRV RDY -	
	2.25	RED	PI-7		P2-H		SEC PLS +	
	2.25	TWP WHT/ORN	PI-8		P2-J	ITEM 11	SEC PLS -	
			PI-9		P2-K			
			PI-10		P2-L			NO CONN
	2.00	RED	PI-11		P2-M	ITEM 11	STAT CLK +	
	2.00	TWP WHT/YEL	PI-12		P2-N	ITEM 11	STAT CLK -	
			PI-13		P2-P			
			PI-14		P2-R			NO CONN
	1.75	RED	PI-15		P2-S	ITEM 11	STAT IN +	
	1.75	TWP WHT/BLK/RED	PI-16		P2-T	ITEM 11	STAT IN -	
			PI-17		P2-U			
			PI-18		P2-V			NO CONN
	1.62	RED	PI-19		P2-W	ITEM 11	READ DATA +	
	1.62	TWP WHT/BLK/ORN	PI-20		P2-X	ITEM 11	READ DATA -	
	1.50	RED	PI-21		P2-Y		DRIVE CMND +	
	1.50	TWP WHT/BLK/BLU	PI-22		P2-Z	ITEM 11	DRIVE CMND -	

ITEM NO.	WIRE LENGTH TO CABLE JACKET	DESCRIPTION	FROM		TO		SIGNAL NAME	REMARKS
			CONN	TERM	CONN	TERM		
			PI-23		P2-AA			
			PI-24		P2-BB			NO CONN
	.36	RED	PI-25		P2-CC	ITEM 11	WRT DATA -	
	.36	TWP WHT/BLK/BRN	PI-26		P2-DD	ITEM 11	WRT DATA +	
			PI-27		P2-EE			
			PI-28		P2-FF			NO CONN
	1.25	RED	PI-29		P2-HH	ITEM 11	SYS CLK -	
	1.25	TWP WHT/GRN/RED	PI-30		P2-JJ	ITEM 11	SYS CLK +	
			PI-31		P2-KK			
			PI-32		P2-LL			NO CONN
	.18	RED	PI-33		P2-MM	ITEM 11	WRT GATE -	
	.18	TWP WHT/GRN/BLU	PI-34		P2-NN	ITEM 11	WRT GATE +	
	1.00	RED	PI-35		P2-PP		DR. SEL 1 -	
	1.00	TWP WHT/GRN/YEL	PI-36		P2-RR		DR. SEL 1 +	
	.88	RED	PI-37		P2-SS		DR. SEL 0 -	
	.88	TWP WHT/GRN/BRN	PI-38		P2-TT		DR. SEL 0 +	
	.75	YEL	PI-39		P2-UU	ITEM 11	DC C	
		WHT						SEE NOTE 1
	1.75	BLK	PI-40		P2-VV	ITEM 12	GND	SEE NOTE 1

- NOTES:
- THE DRAIN WIRE AND INNER GND WIRE MUST BE PREPARED AS FOLLOWS BEFORE TERMINATING CABLE TO PLUG ON BOTH ENDS OF WIRE.
    - CUT BACK THE CENTER BLACK GND WIRE 0.4 ± 0.1 INCH ABOVE JACKET, STRIP END 0.25 ± .06 INCH.
    - FIND AND SEPARATE THE SOLID WHITE AND YELLOW PAIRED WIRES. CUT THE WHITE WIRE FLUSH WITH JACKET. STRIP END OF LOOSE WHITE WIRE 0.25 ± .06 INCH
    - POSITION STRIPPED END OF WHITE WIRE PARALLEL TO THE STRIPPED END OF THE BLACK GND WIRE. WRAP THE DRAIN WIRE AROUND THE STRIPPED END OF THE BLACK AND WHITE WIRE 2-4 TIMES. SOLDER WIRE SPLICE AND CUT OFF END OF DRAIN FLUSH WITH SPLICE.
    - COVER SPLICE WITH 0.5 ± .06 INCH OF SHRINK TUBING, ITEM 4, TWIST THE WHITE AND YELLOW WIRES (PREVIOUSLY SEPARATED) BACK TOGETHER FOR APPROXIMATELY (3) THREE INCHES.
  - SCREWS (2 X .316 SELF TAPPING) ARE PART OF PLUG HOUSING AND CAMSHAFT KIT (ITEM \*2).
  - REF ONLY CONTACT (DEC PART NO. 1211591-27) FOR REPLACEMENT ONLY.
  - PRIOR TO SNAPPING SIDES OF PLUG HOUSING TOGETHER CARE SHOULD BE TAKEN TO ASSURE THAT ALL WIRES ARE SUFFICIENTLY WITHIN HOUSING TO PREVENT PINCHING OF INDIVIDUAL STRANDS.
  - CABLE TO BE MARKED WITH PART NUMBER BC80M AND REV IN AREA SHOWN.
  - \* DENOTES CAVITIES NOT TO BE USED OR DESIGNATED BY LETTERS.



SECTION C-C  
SCALE: NONE

REVISION HISTORY		
DATE	ECO NUMBER	REV